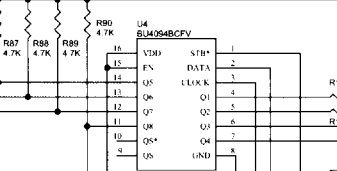
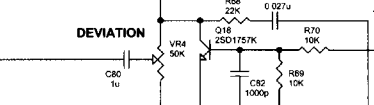
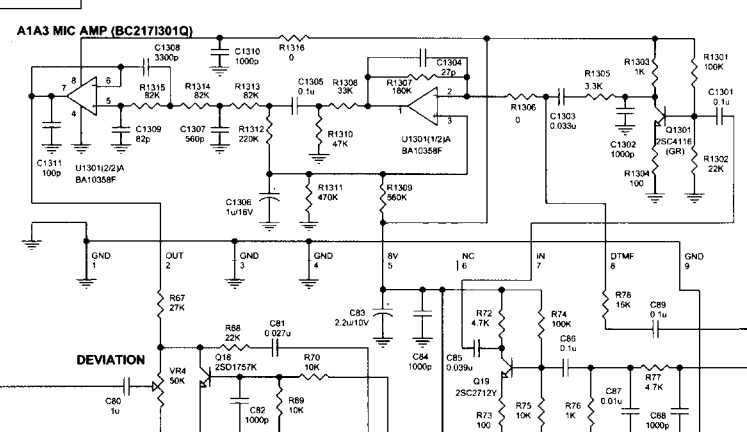
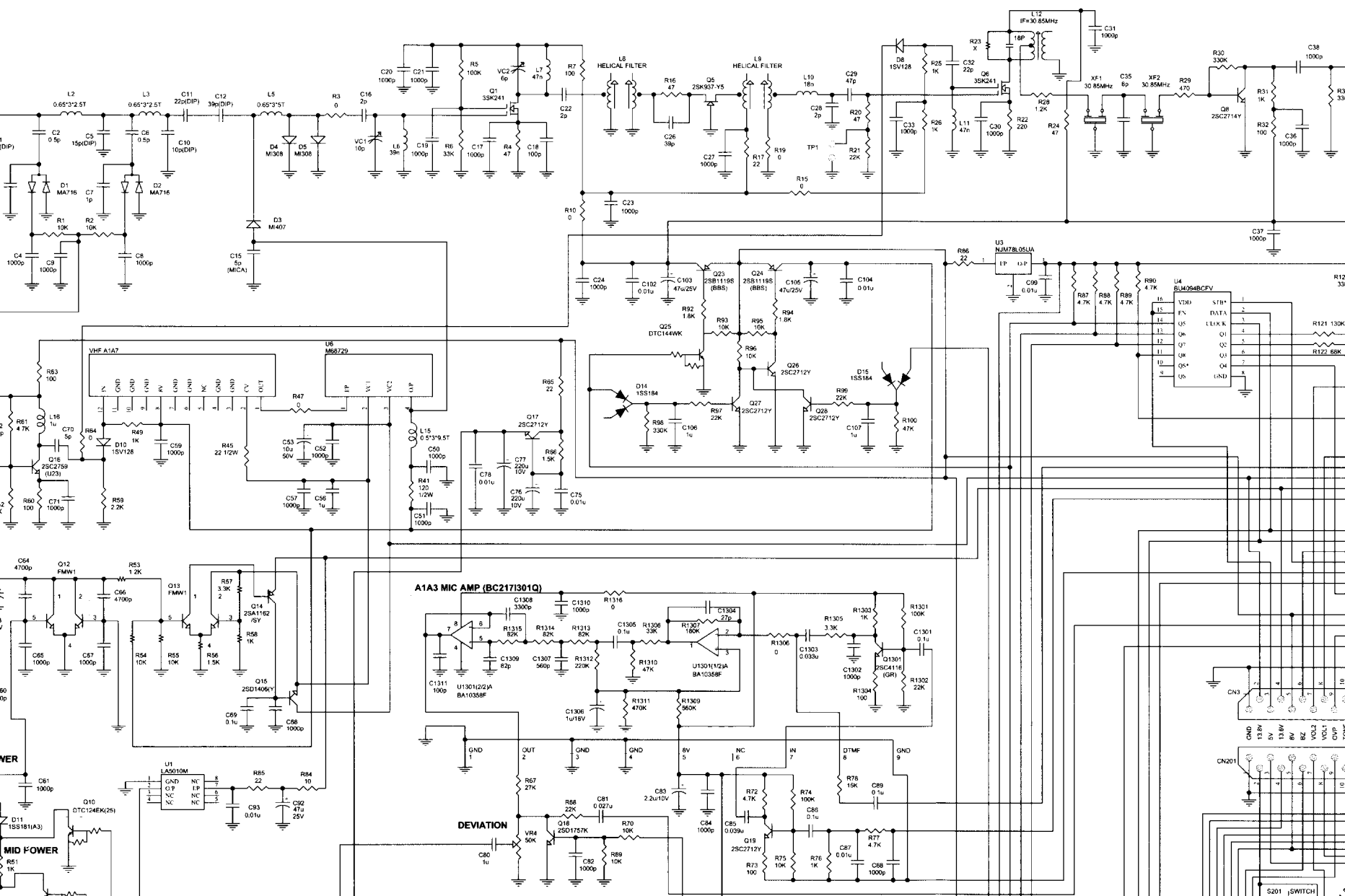
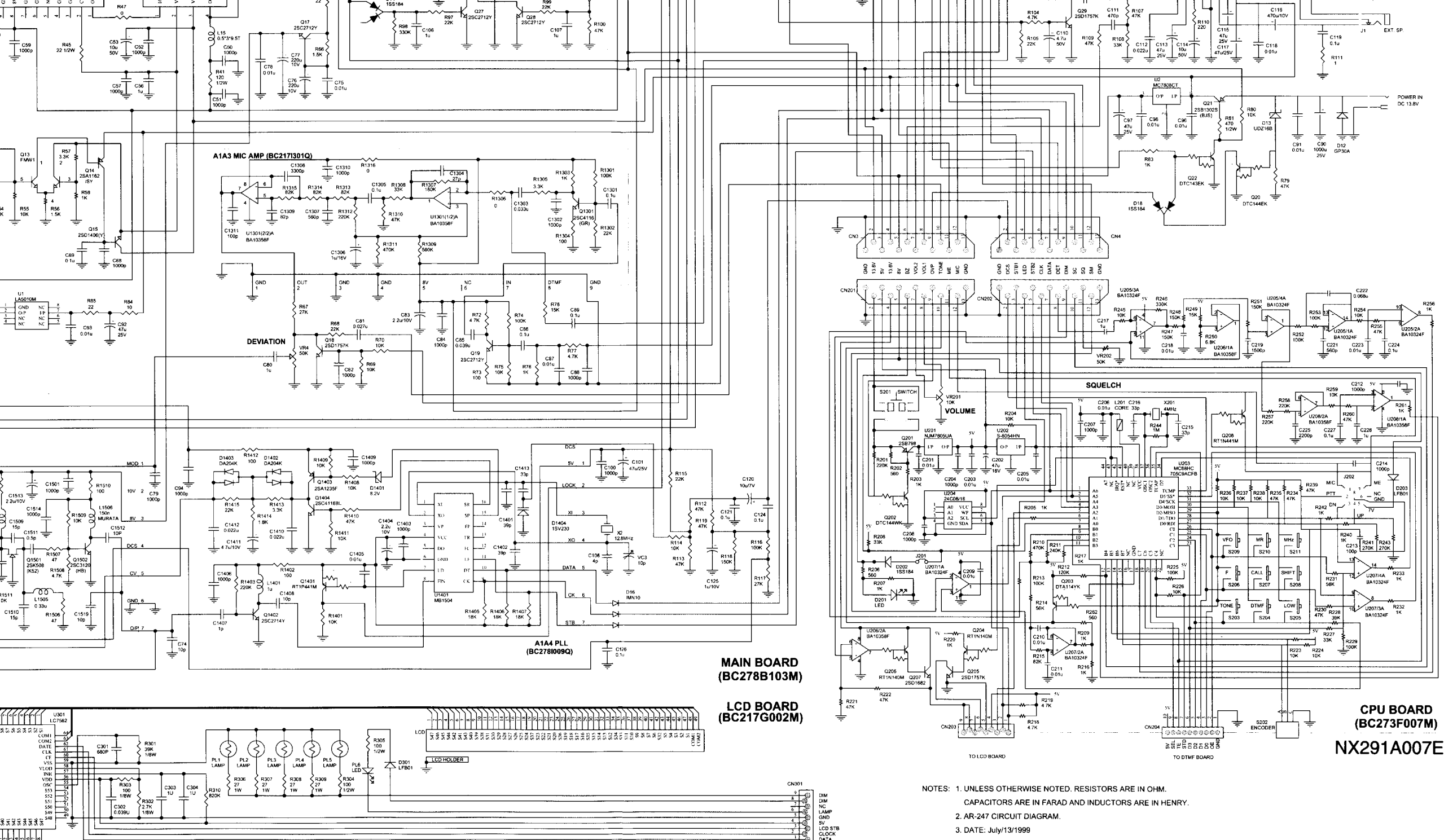


**MAIN BOARD  
(BC278B103M)**

**LCD BOARD  
(BC217G002M)**

- NOTES:
- UNLESS OTHERWISE NOTED, RESISTORS ARE IN OHM. CAPACITORS ARE IN FARAD AND INDUCTORS ARE IN HENRY.
  - AR-247 CIRCUIT DIAGRAM.
  - DATE: July/13/1999





**MAIN BOARD  
(BC278B103M)**

**LCD BOARD  
(BC217G002M)**

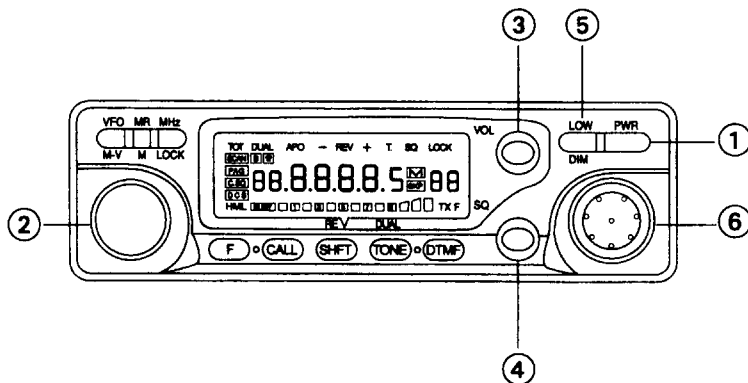
**CPU BOARD  
(BC273F007M)**

**NX291A007E**

- NOTES: 1. UNLESS OTHERWISE NOTED, RESISTORS ARE IN OHM.  
 CAPACITORS ARE IN FARAD AND INDUCTORS ARE IN HENRY.  
 2. AR-247 CIRCUIT DIAGRAM.  
 3. DATE: July/13/1999

## 5 OPERATION

### 5-1-1 CONTROL FUNCTIONS



#### ① POWER switch

Press to turn the transceiver on or off.

Press the VFO/M►V or MR/M key and switching the power on will reset the VFO or MEMORY.

#### ② Tuning control

This control is used to select the desired transmit/receive frequency, MHz step, memory channel, frequency step, tone frequency, scan direction, etc.

#### ③ VOL control

This control is used to adjust the volume from the internal and external speaker (if used). Clockwise rotation will increase the volume and counterclockwise rotation will decrease the volume.

#### ④ SQ(Squelch) control

This control is used to select the desired squelch threshold level.

#### ⑤ LOW/DIM key

##### LOW

This function is used to select the transmit output power level (HI, MID or LOW)

#### DIM

This function is used to select the intensity of the front panel display illumination.

Pressing the F key for longer than 1 second and then press the LOW/DIM key while the F indicator is flashing will turn the time-out timer function on and off.

#### ④ Microphone connector

Attach the supplied microphone to this connector. The pin out of the connector is shown in the accompanying illustration.

