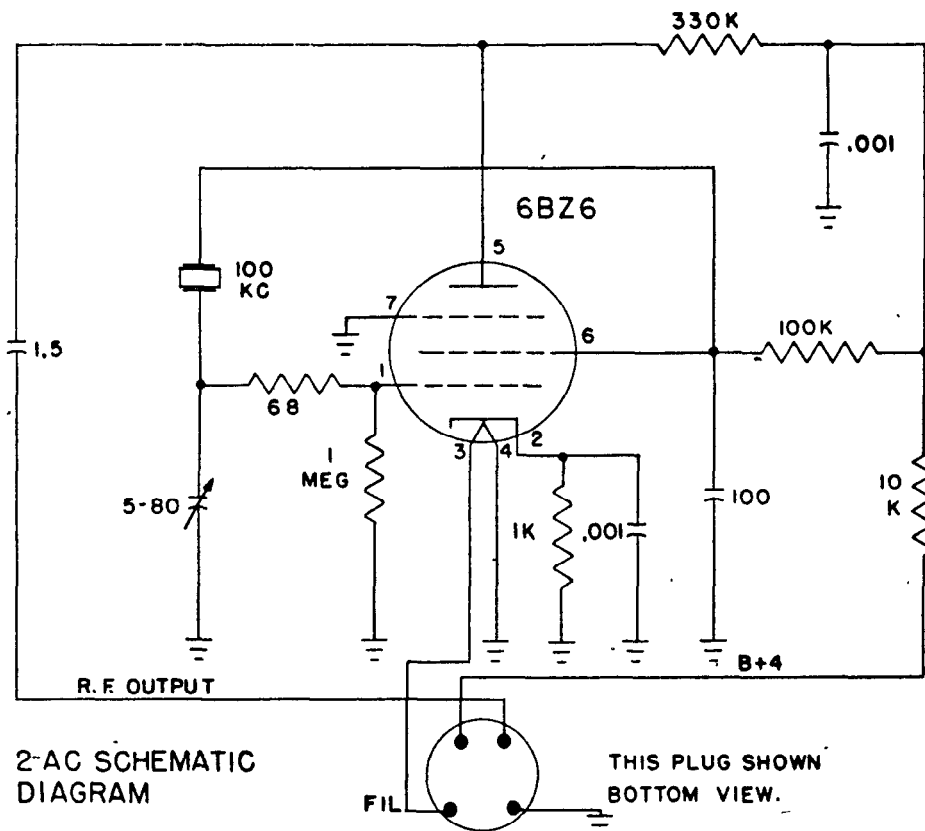


## 2-AC CRYSTAL CALIBRATOR INSTRUCTIONS



The 100 KC crystal calibrator is an oscillator so designed that it will inject into the receiver a harmonic every 100 KC throughout the receiver's range. This corresponds to the numbered dial divisions on your 2-A or 2-B dial.

To use your 100 KC calibrator, insert it into the socket marked "CAL." which is located at the rear of the receiver chassis. The calibrator is switched on and off by a front panel switch, marked "CAL.-OFF".

To set the receiver dial accurately, turn the "CAL.-OFF" switch to "CAL.", and tune in the 100 KC harmonic nearest the desired operating frequency to zero beat (receiver BFO on). Then slide the dial glass until the pointer lines up exactly with the corresponding dial division.

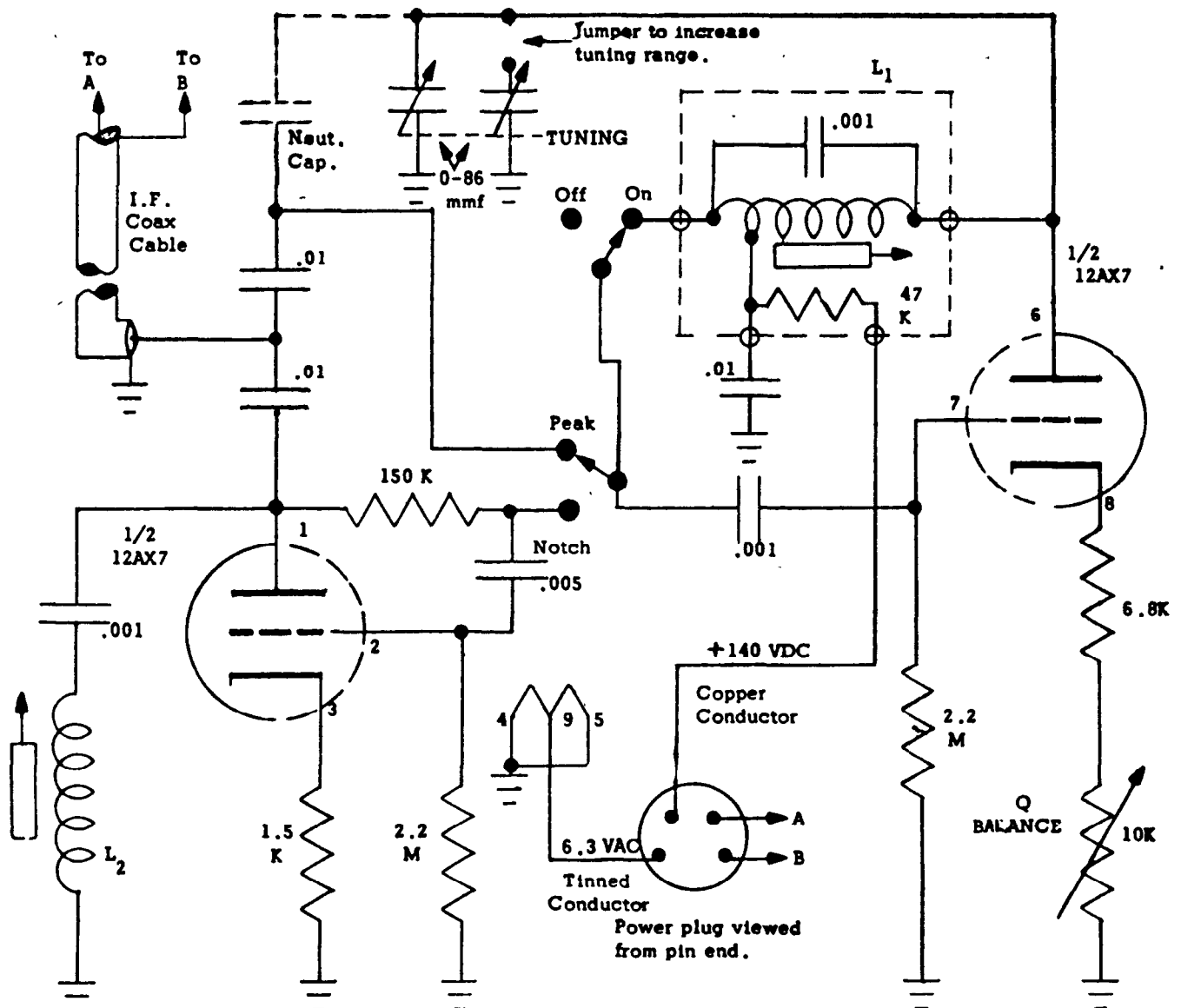
All 2-AC's are factory aligned, but due to shock and vibration during shipment, additional adjustment is sometimes necessary. To do so, turn on receiver with calibrator on and allow it to warm up for at least thirty minutes. Tune in WWV with the receiver BFO off and "PROD-DIODE" switch on "DIODE". (See page 12, third paragraph of the instruction manual). Make sure that the "CAL.-OFF" switch is in the "CAL." position and carefully adjust the trimmer capacitor located on top of the calibrator chassis to zero beat. This completes all necessary alignment.

## Alignment

In order to properly align the 2-BQ it will be necessary to remove it from its cabinet. Remove the 8 sheet metal screws around the grille and lift the unit forward.

1. Plug the 2-BQ into the receiver.
2. Turn the receiver on and tune in a strong steady carrier or a signal such as the crystal calibrator, zero beating it against the BFO.
3. Make sure the 2-BQ is switched to OFF and NOTCH and adjust L2 of the 2-BQ to peak S-meter reading.
4. Switch the 2-BQ to ON and Peak, turn the TUNING control until it points to the center of its scale, and turn the Q-BALANCE control anywhere below the point of oscillation.
5. Then adjust L1 (the coil in the aluminum can) for peak S-meter reading.

This completes the alignment procedure. Return the 2-BQ to its case making sure that the eight fibre washers are in place between grille and the cabinet mounting flange before replacing and tightening the mounting screws.



SCHEMATIC DIAGRAM OF 2-BQ