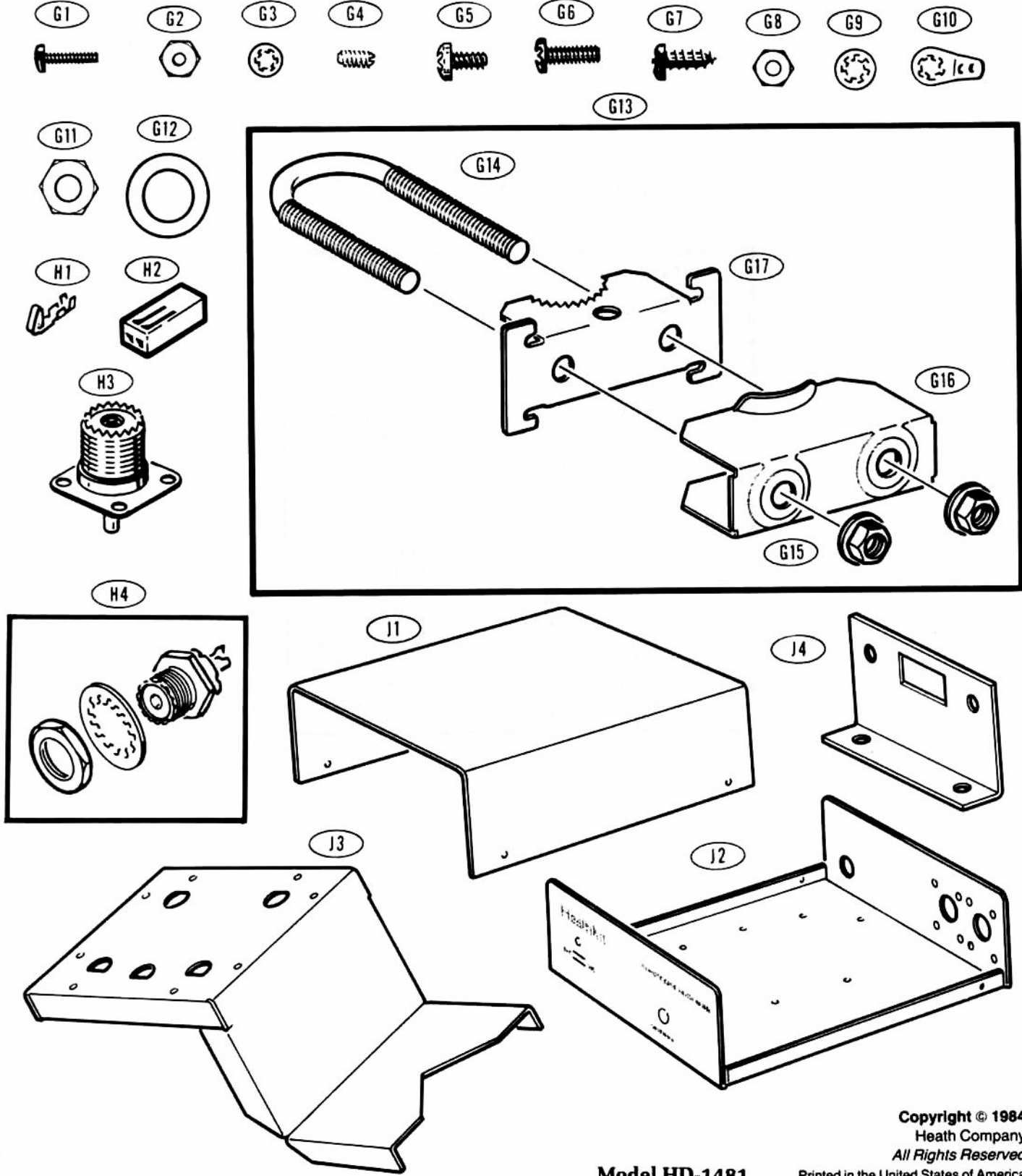
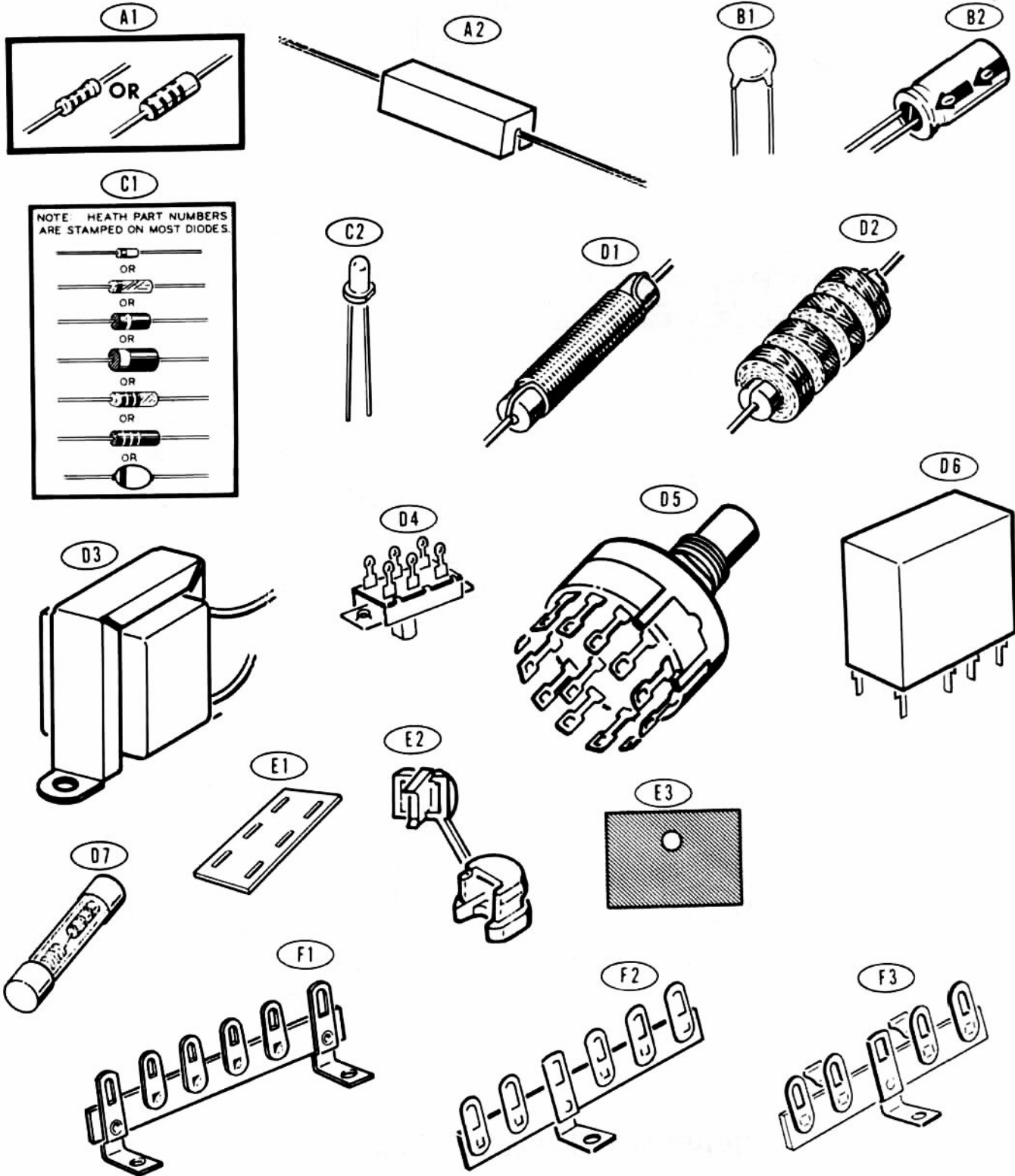
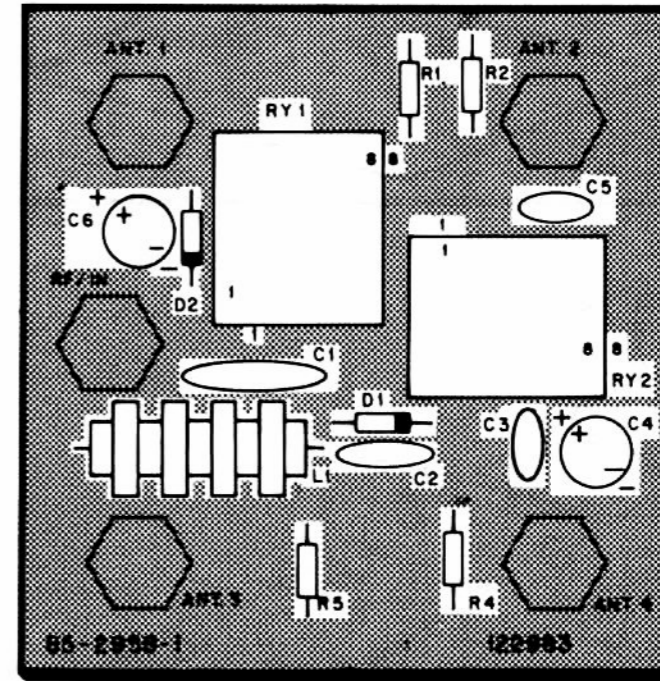
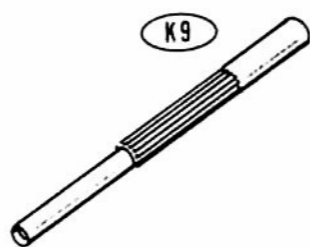
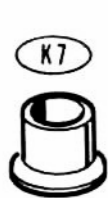
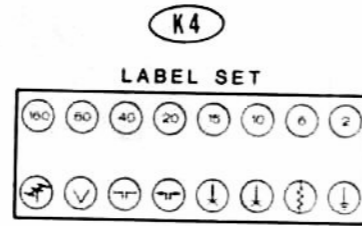
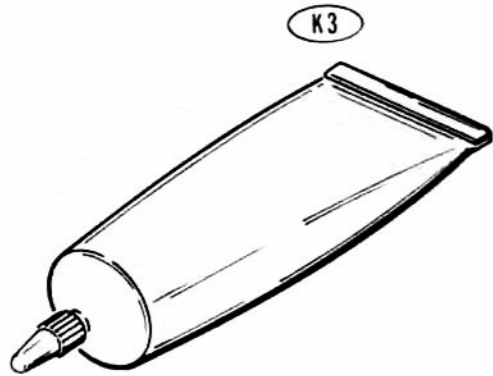
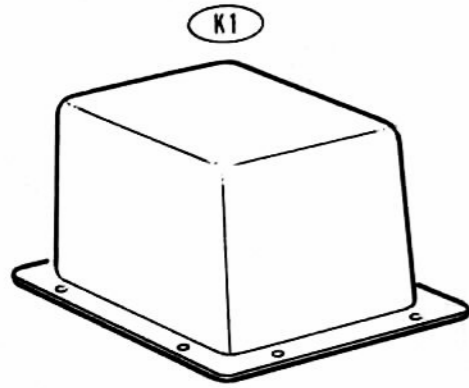


# ILLUSTRATION BOOKLET

## PARTS PICTORIAL

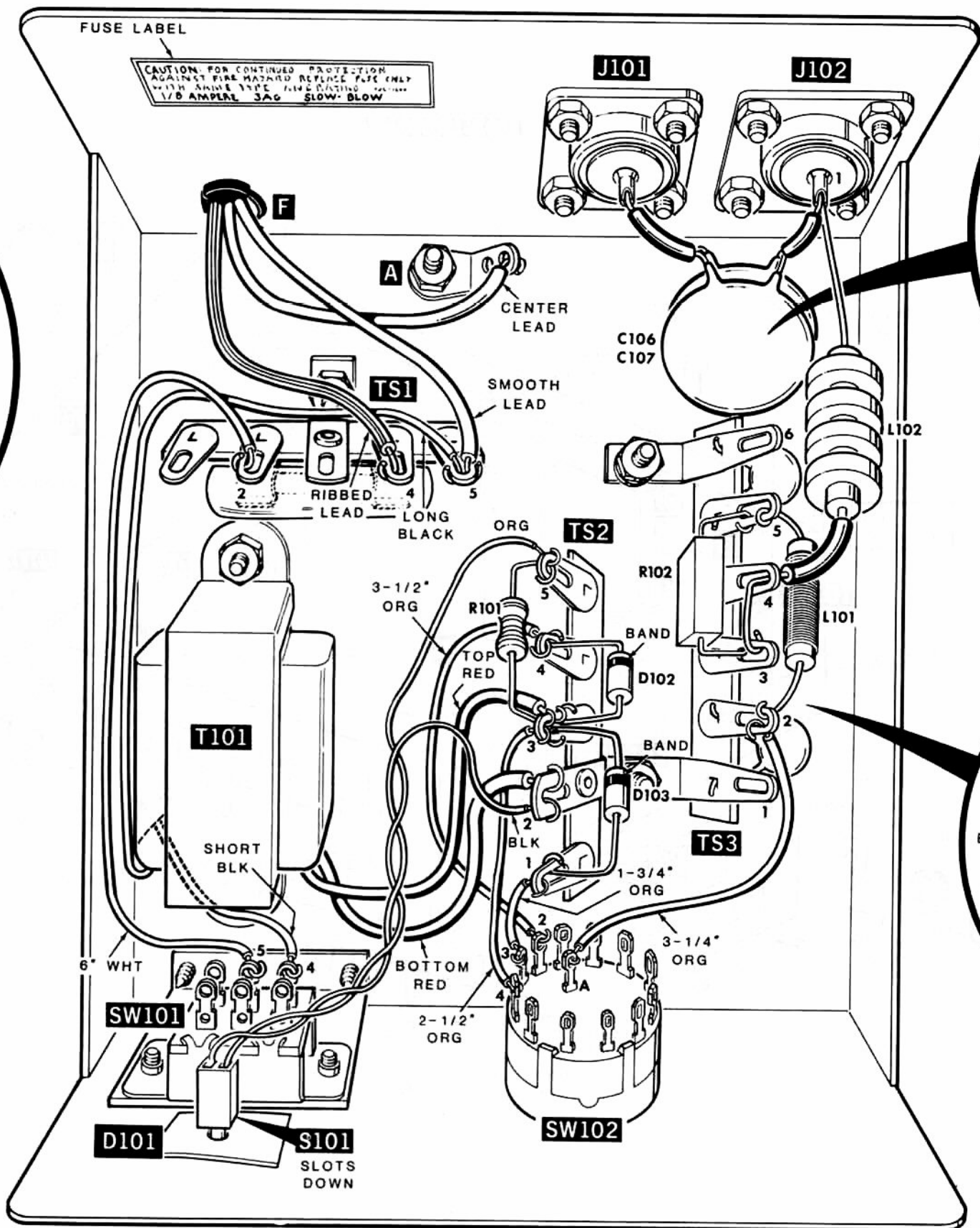
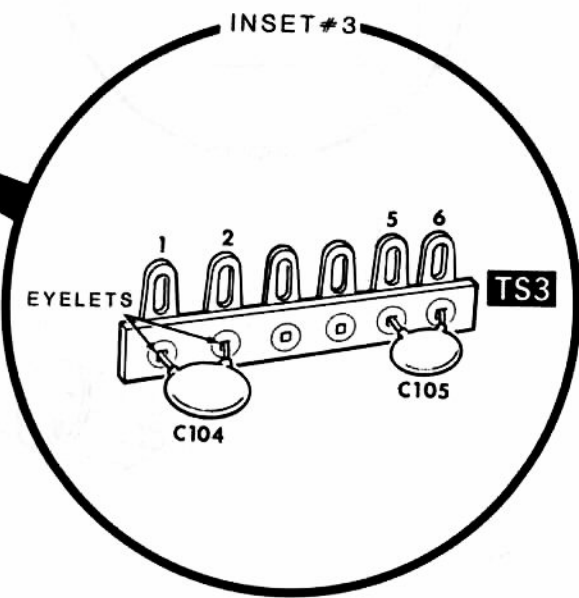
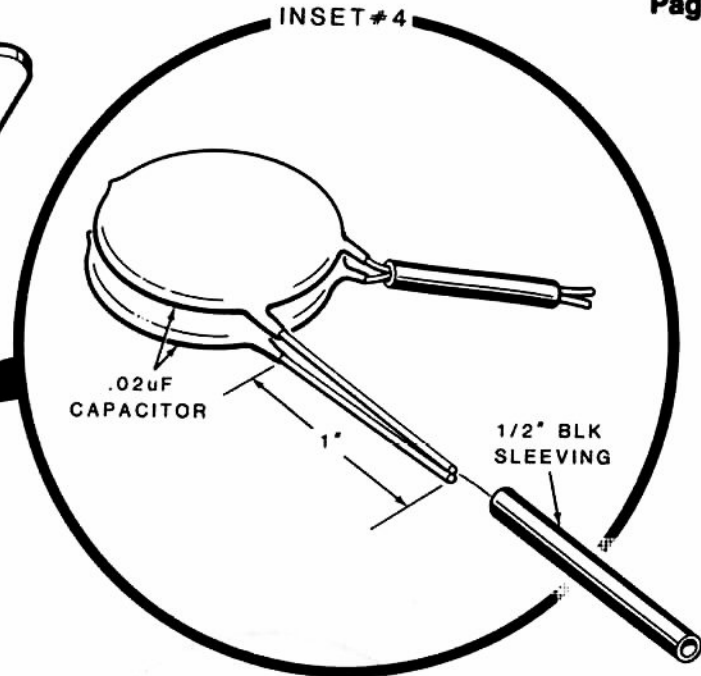
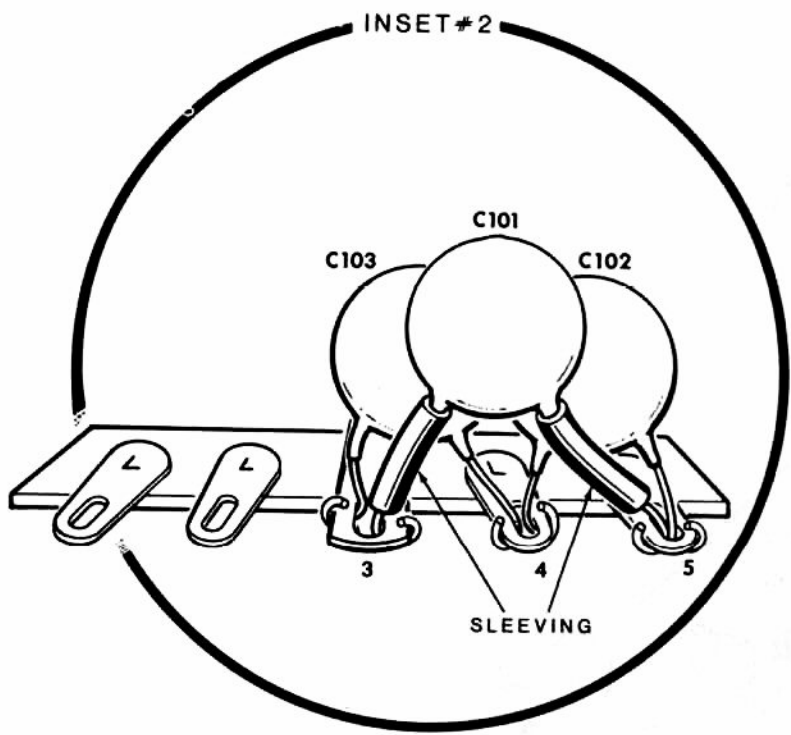


### PARTS PICTORIAL (Cont'd.)

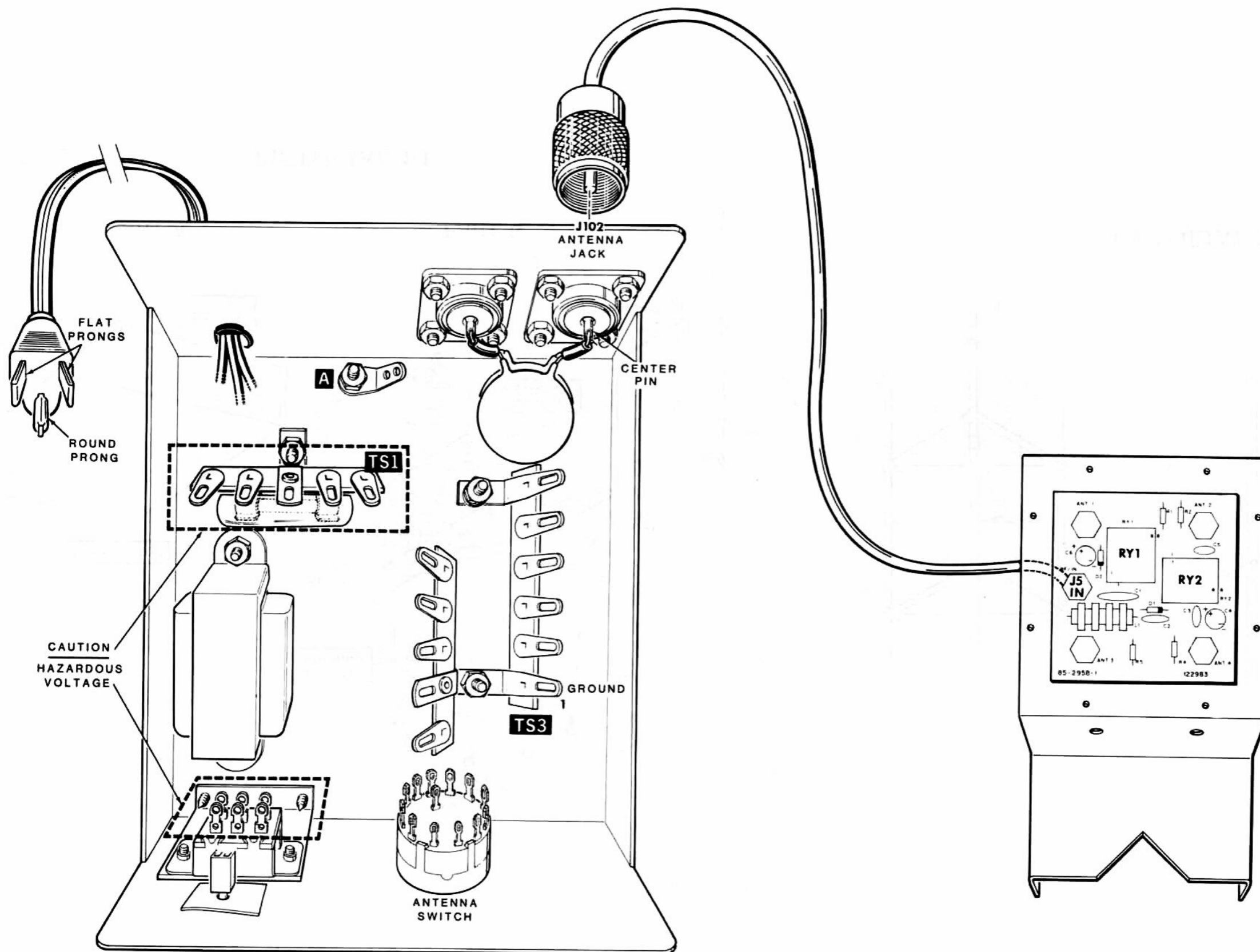


PICTORIAL 1-1

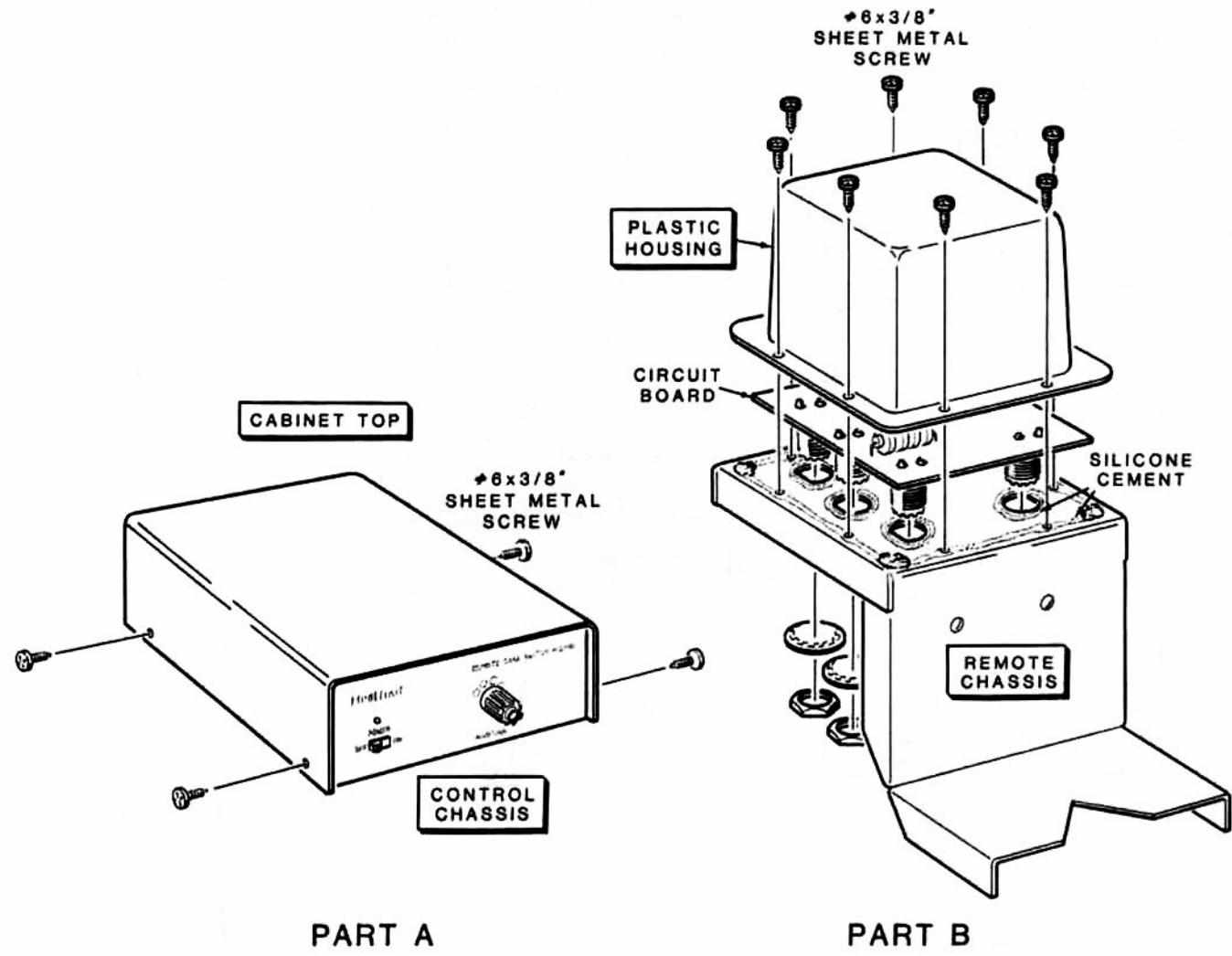




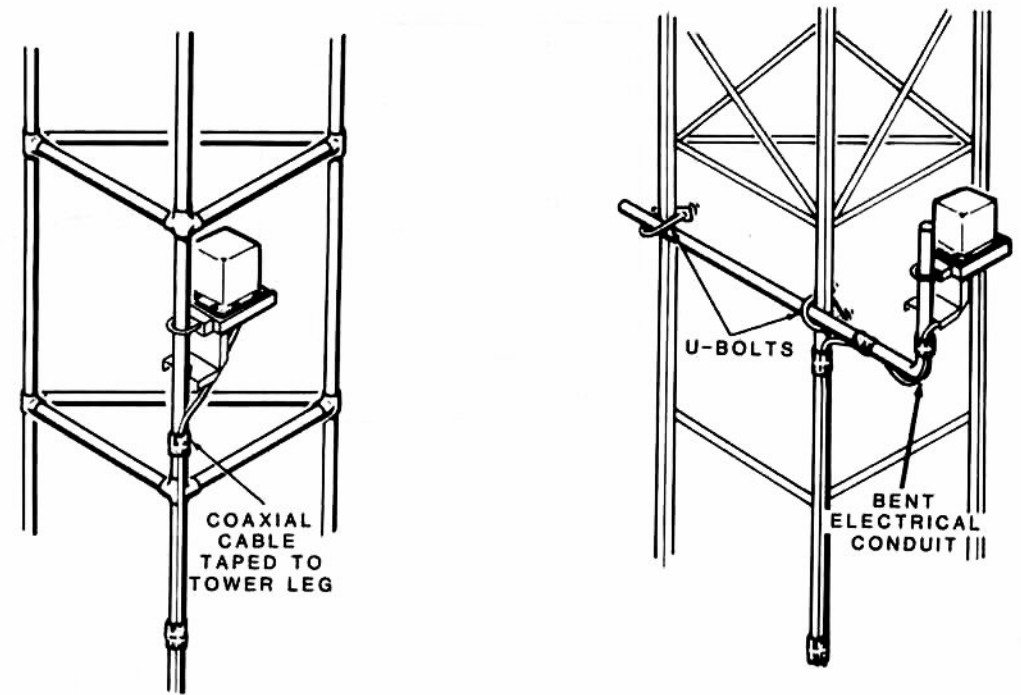
PICTORIAL 2-2



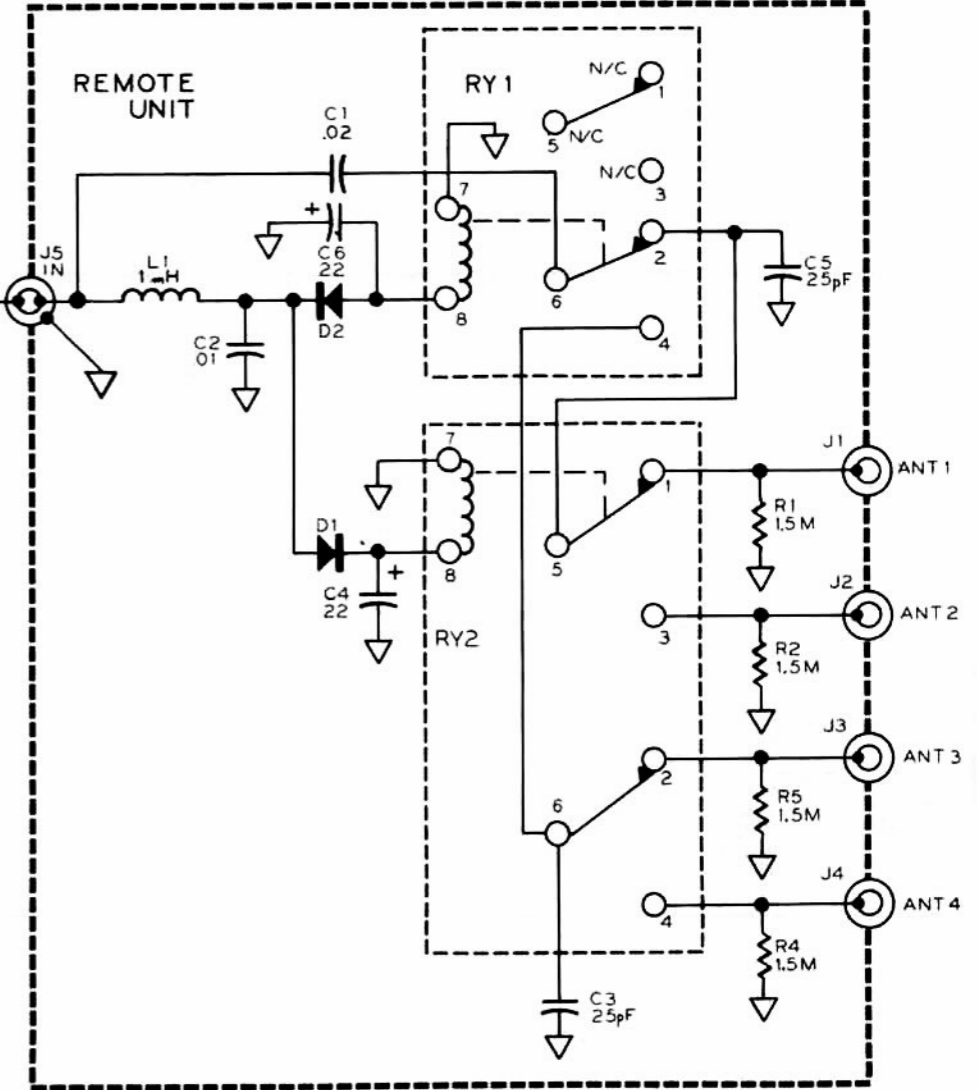
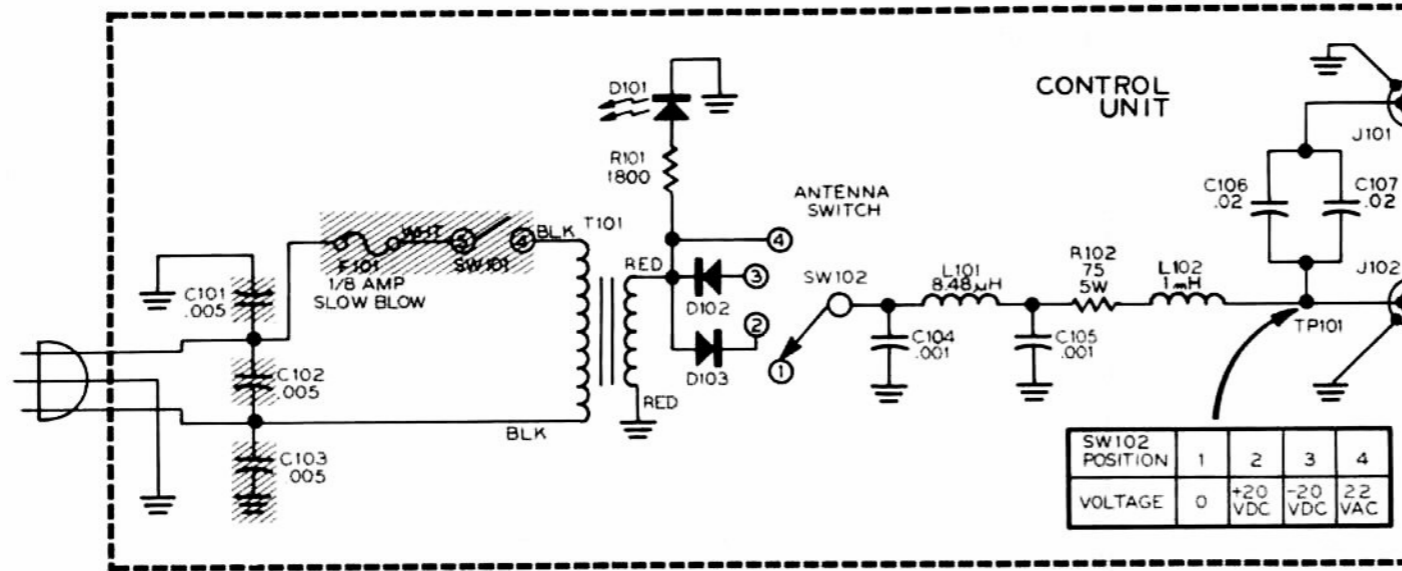
PICTORIAL 3-1



PICTORIAL 4-1



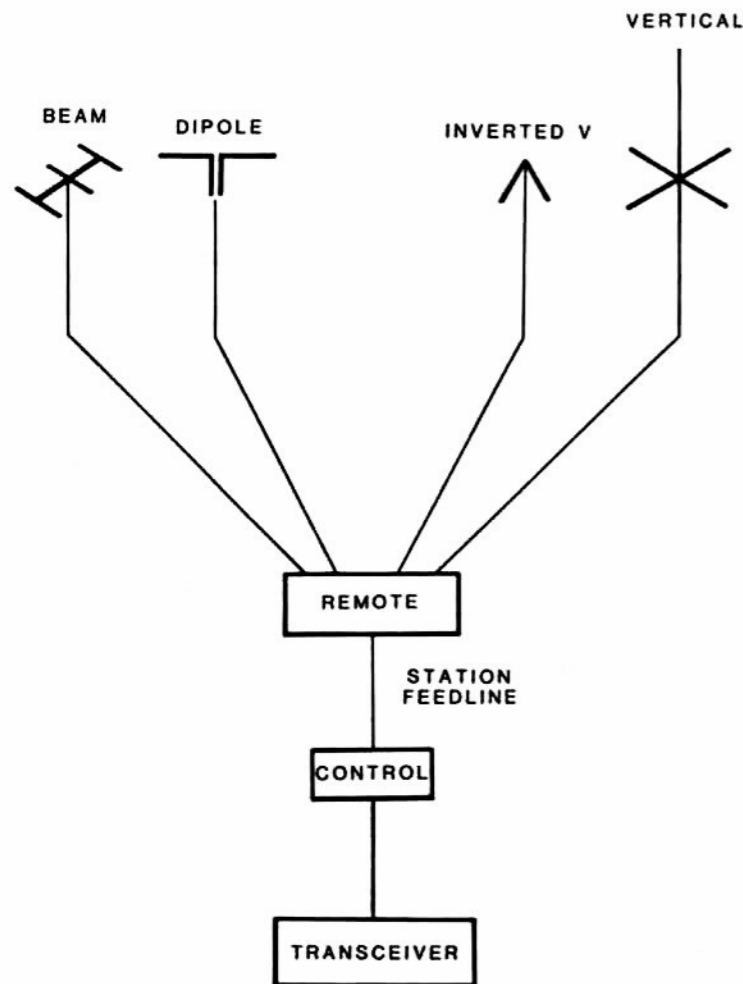
PICTORIAL 5-1



**SCHEMATIC OF THE  
HEATHKIT®  
REMOTE COAX  
SWITCH  
Model HD-1481**

**NOTES:**

1. RESISTORS ARE 1/2-WATT, 5% UNLESS MARKED OTHERWISE. RESISTOR VALUES ARE IN OHMS (K=1,000; M=1,000,000).
2. ALL CAPACITOR VALUES ARE IN  $\mu$ F (MICROFARADS) UNLESS MARKED IN pF (PICOFARADS).
3.  $\nabla$  INDICATES A CIRCUIT BOARD GROUND.
4.  $\equiv$  INDICATES A CHASSIS GROUND.
5. PARTS IN THE SHADED AREAS ARE CRITICAL TO CONTINUED SAFETY. REPLACE ONLY WITH THE SAME RATED PART, OR WITH THE CORRECT HEATH COMPANY PART.



**BLOCK DIAGRAM**