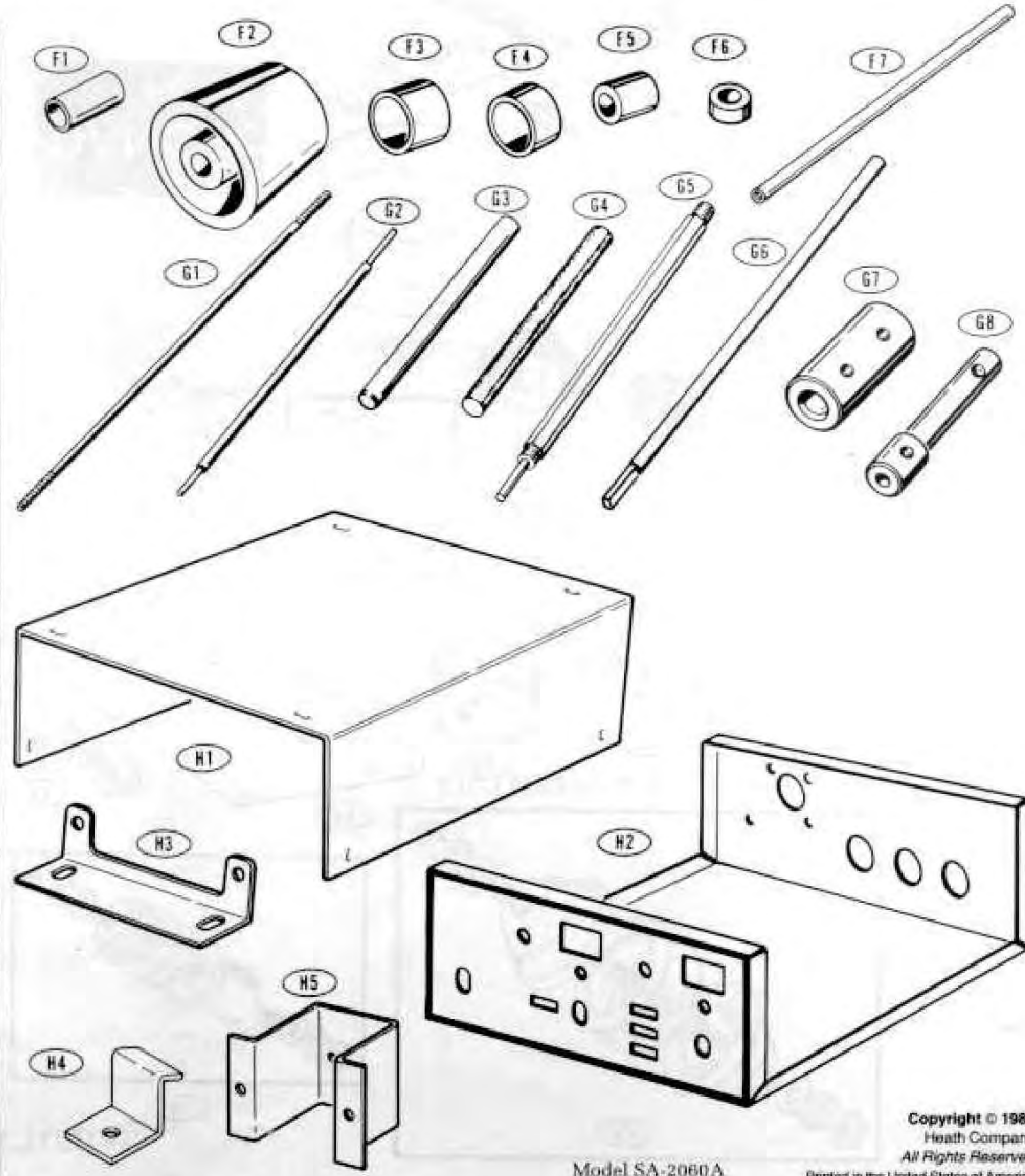
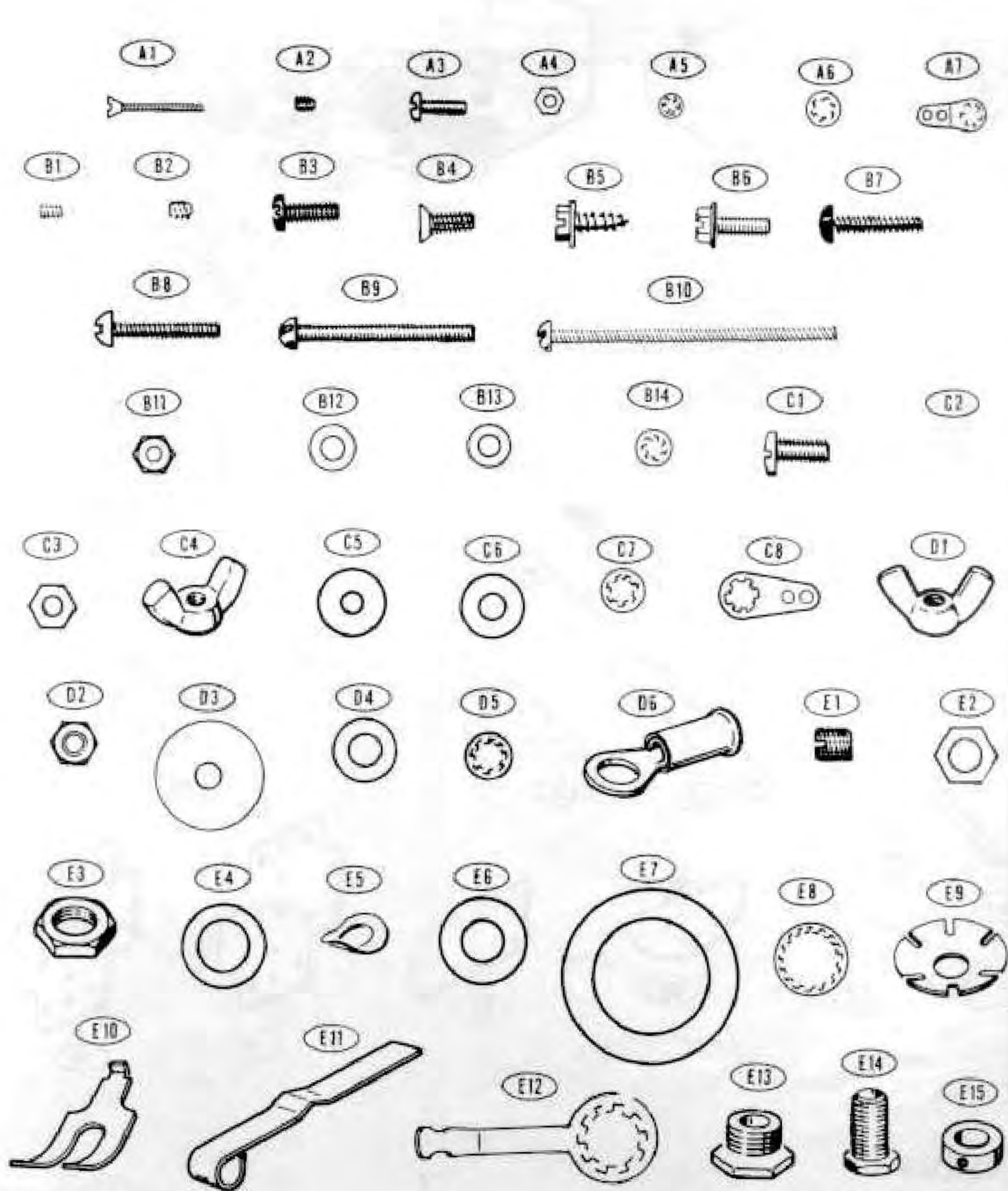


# ILLUSTRATION BOOKLET

Part of 595-2971-05

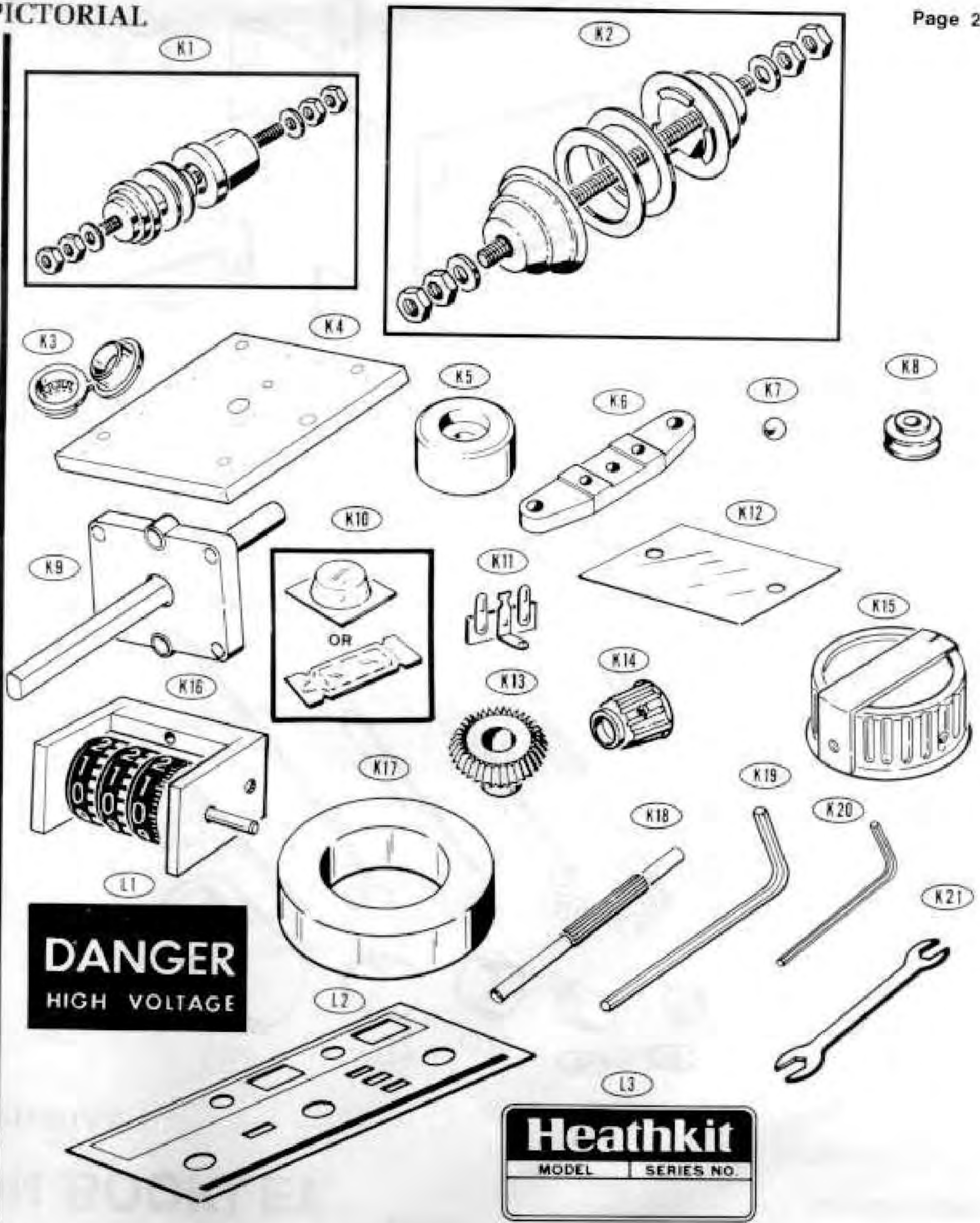
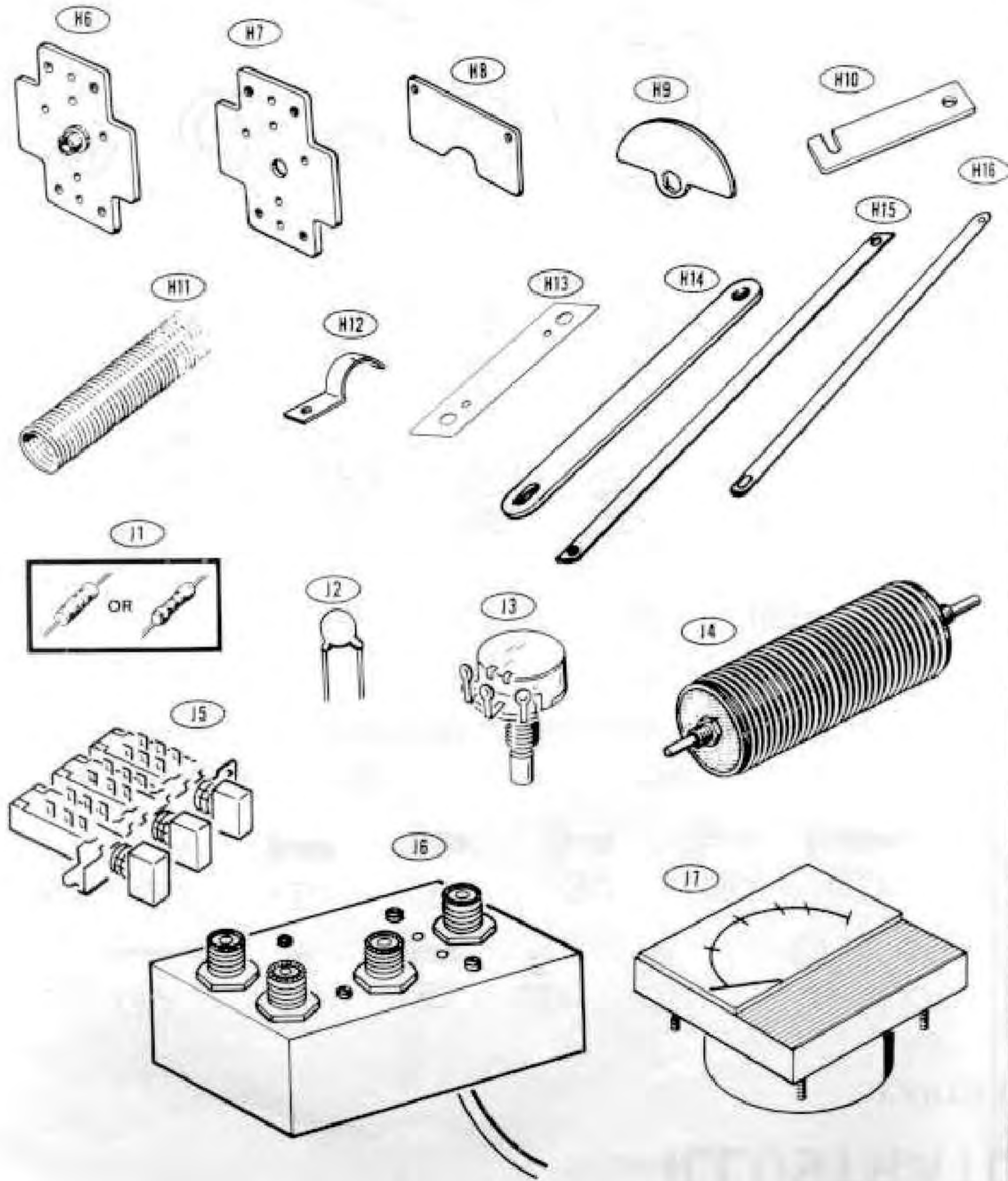
## PARTS PICTORIAL



Model SA-2080A

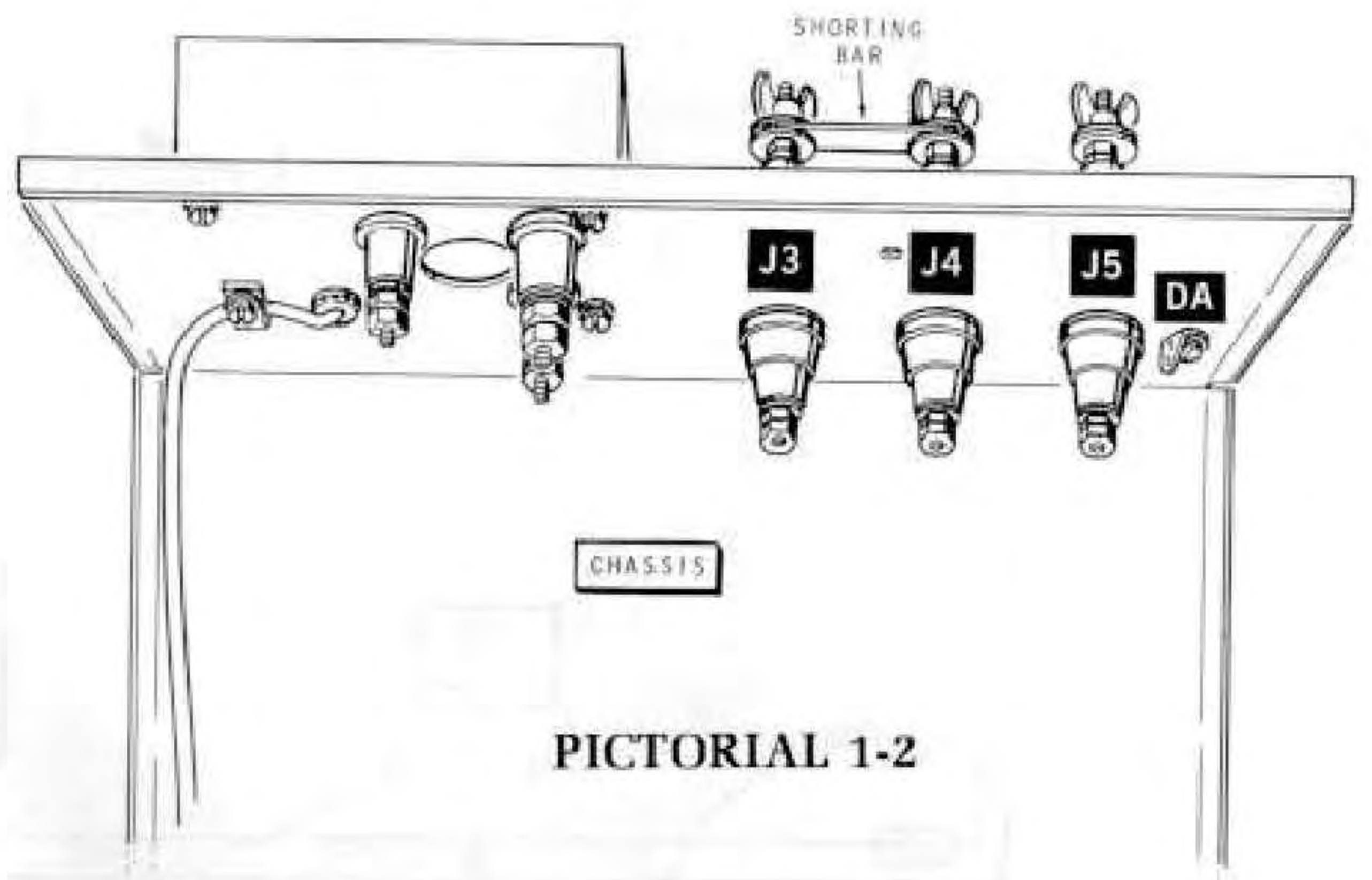
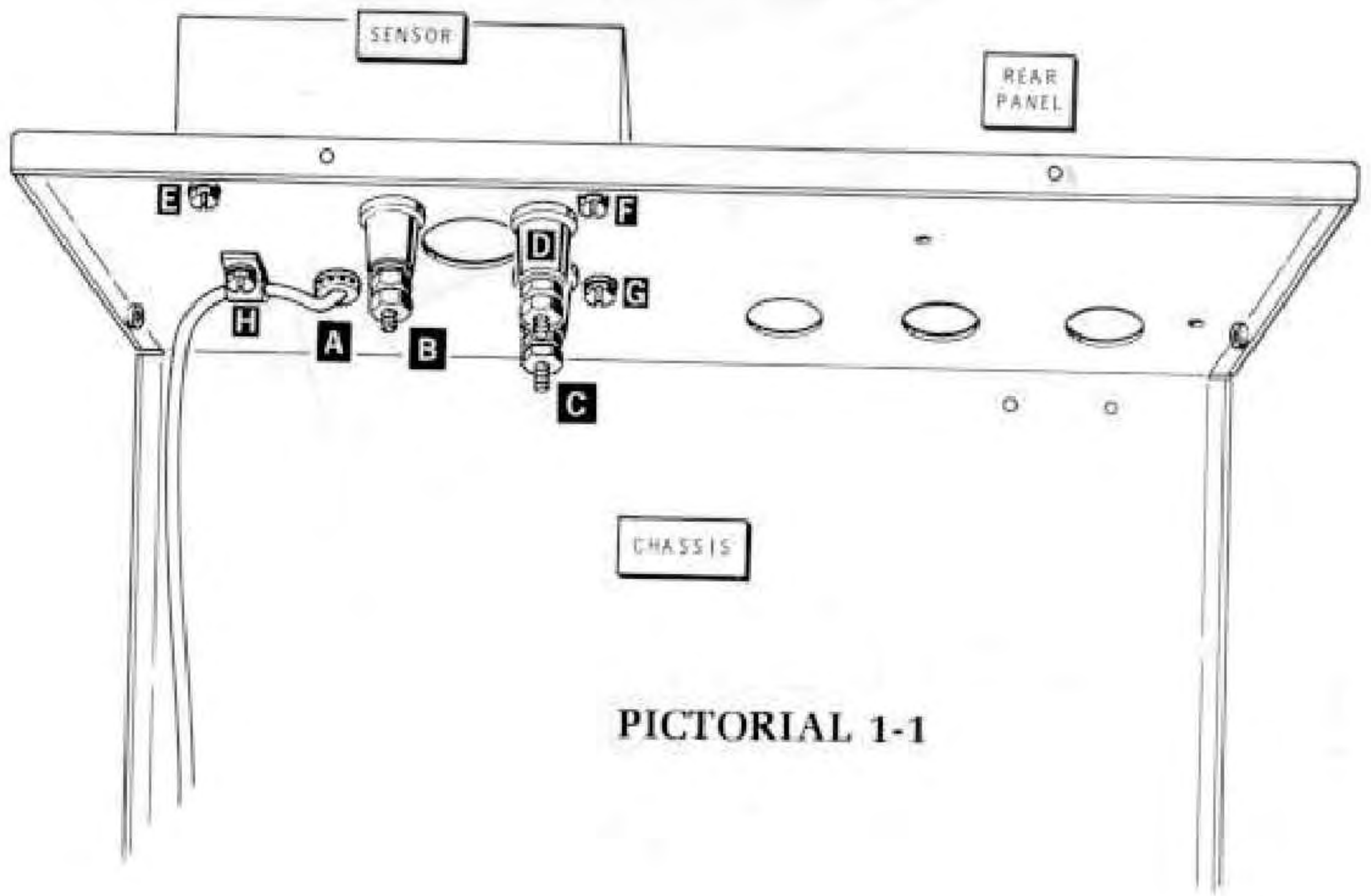
Copyright © 1983  
Health Company  
All Rights Reserved  
Printed in the United States of America

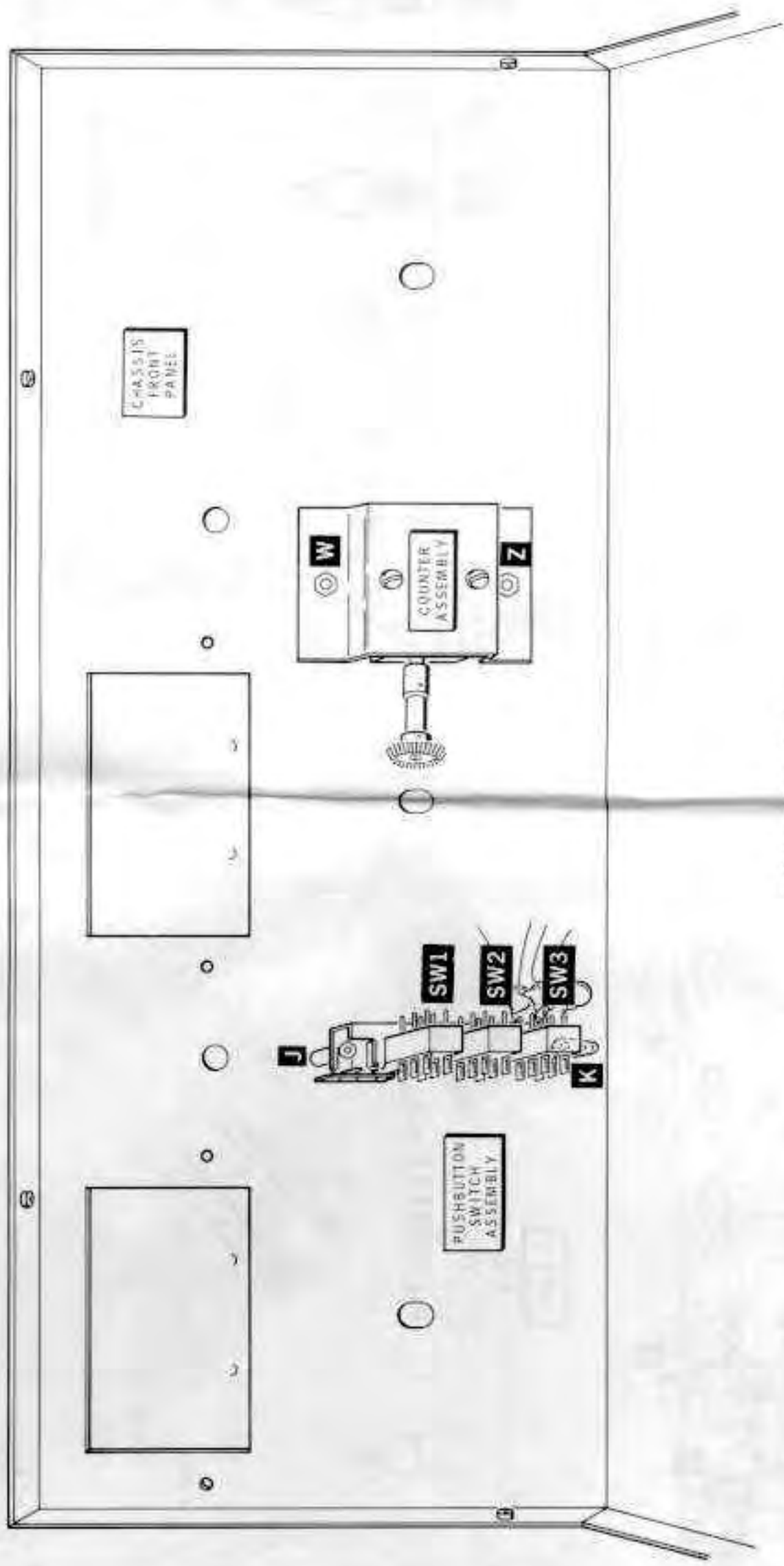
# PARTS PICTORIAL



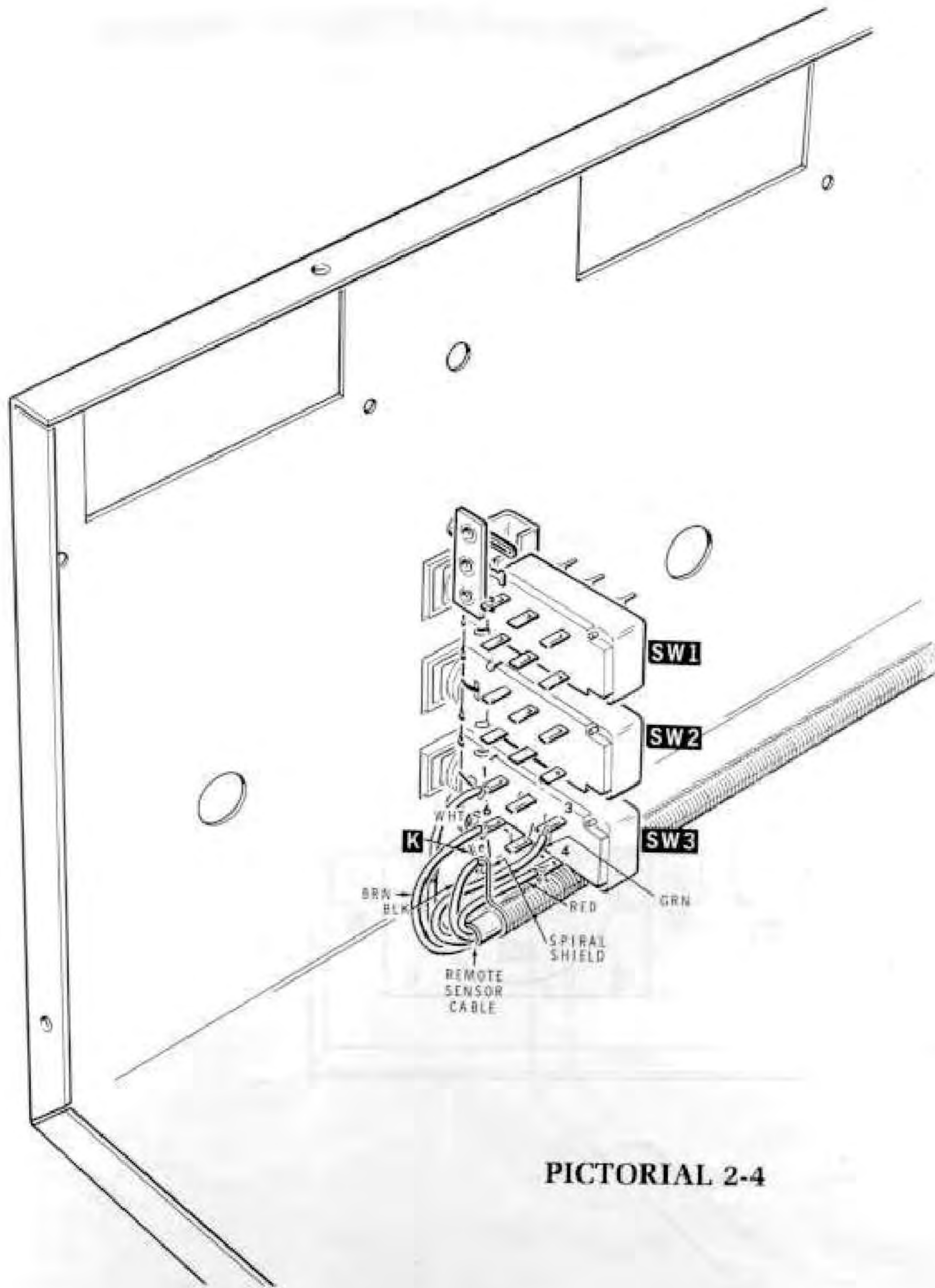
**DANGER**  
HIGH VOLTAGE

**Heathkit**  
MODEL    SERIES NO.

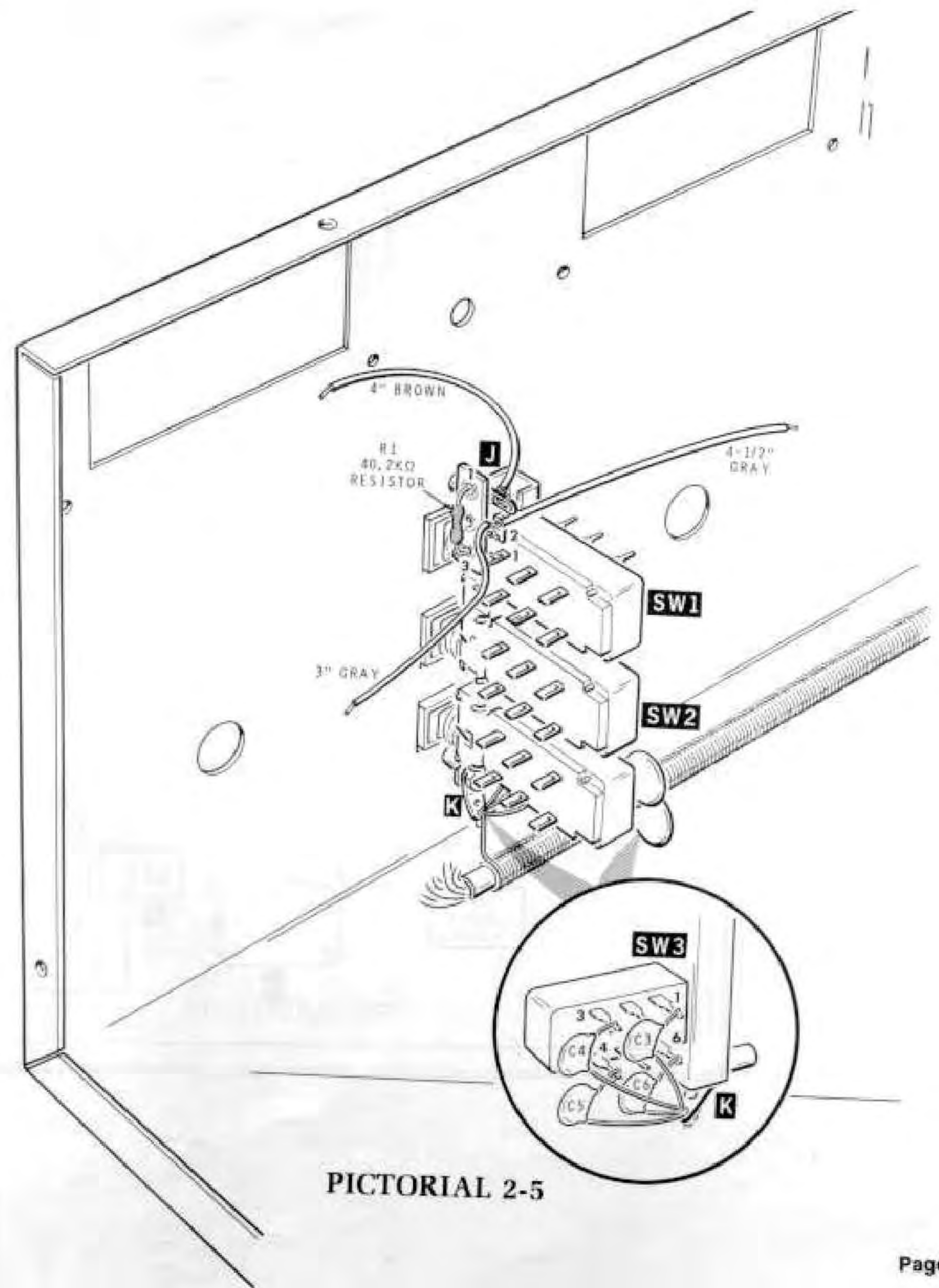




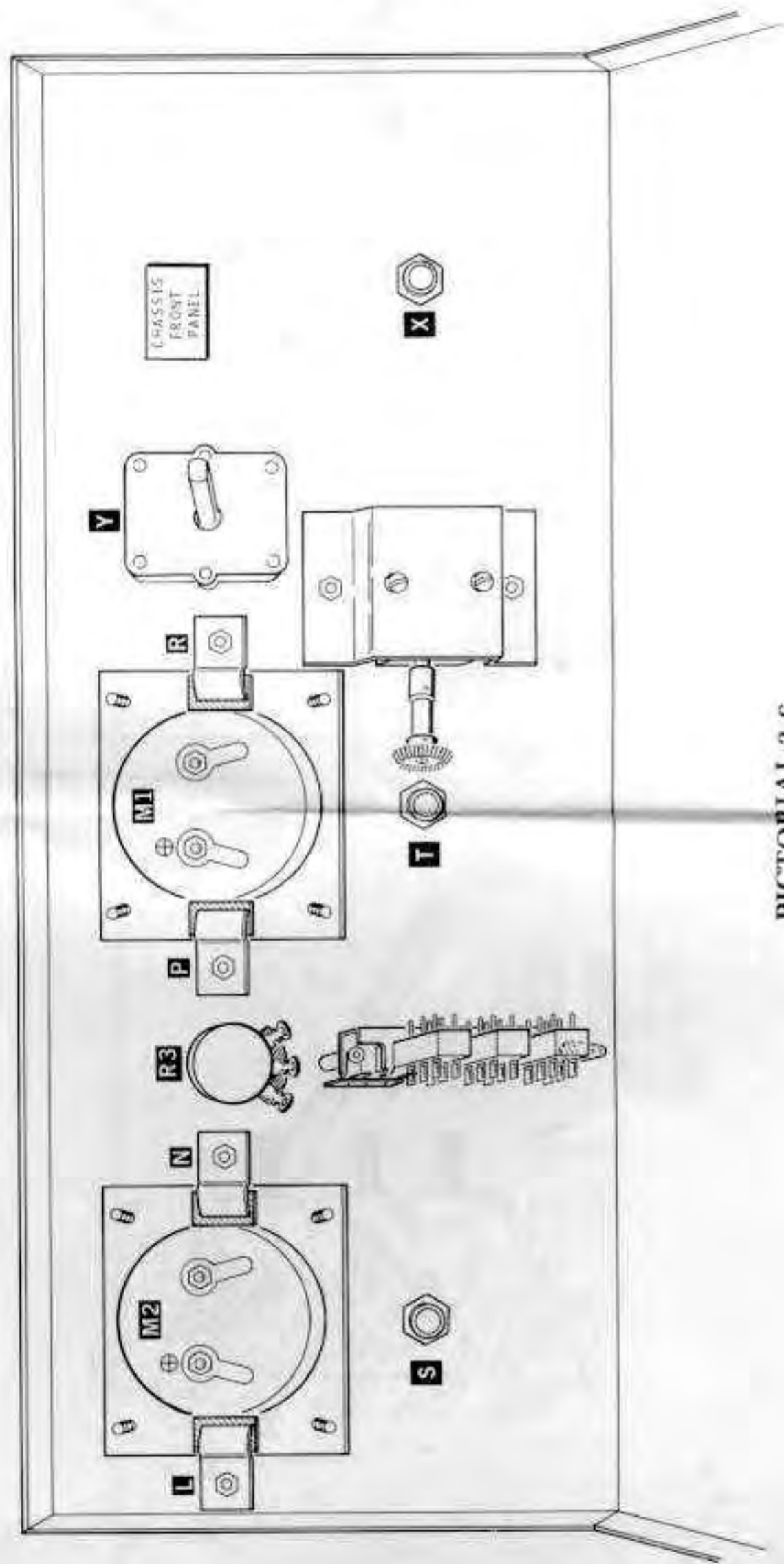
PICTORIAL 2-3



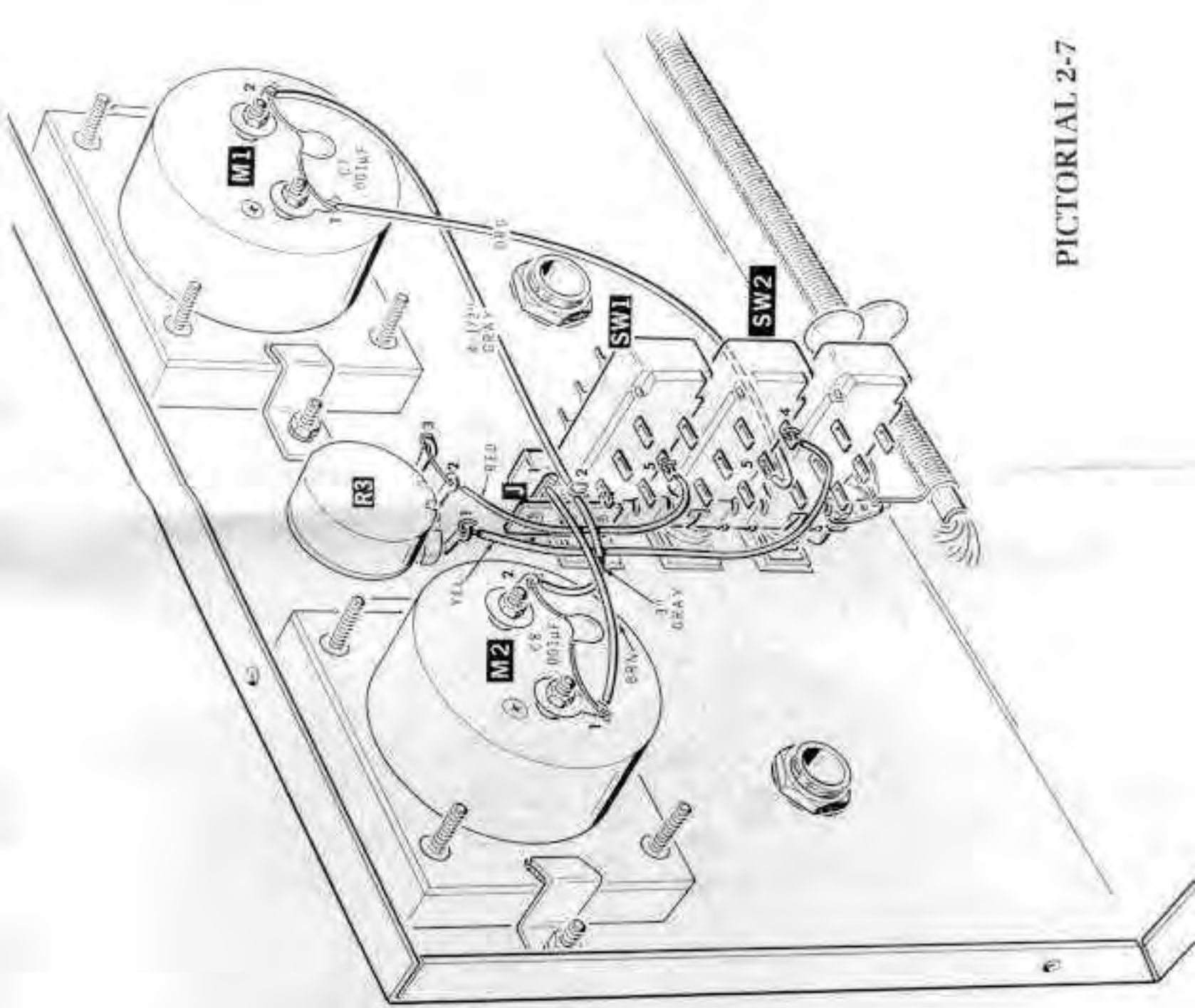
PICTORIAL 2-4



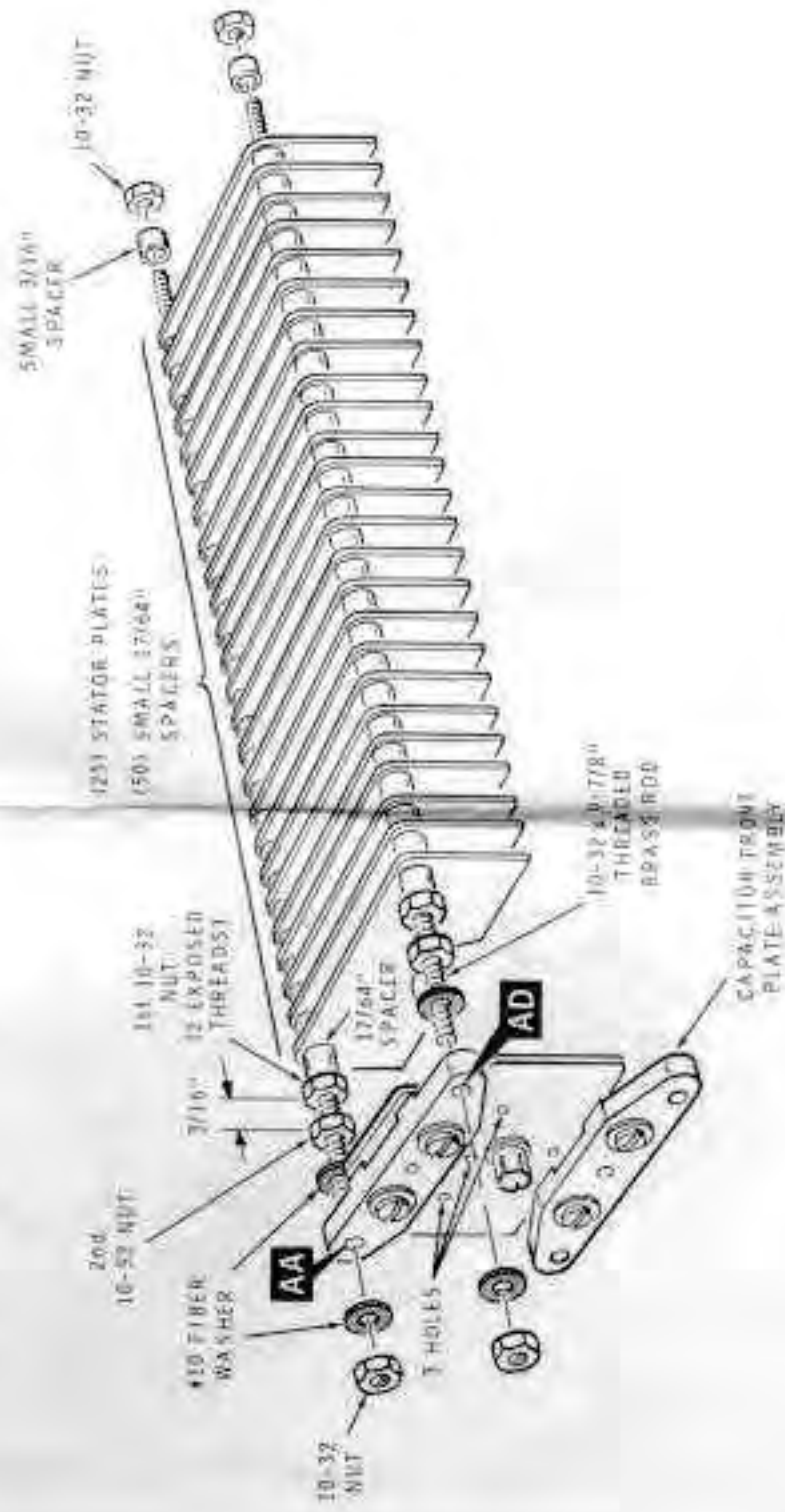
PICTORIAL 2-5



PICTORIAL 2-6

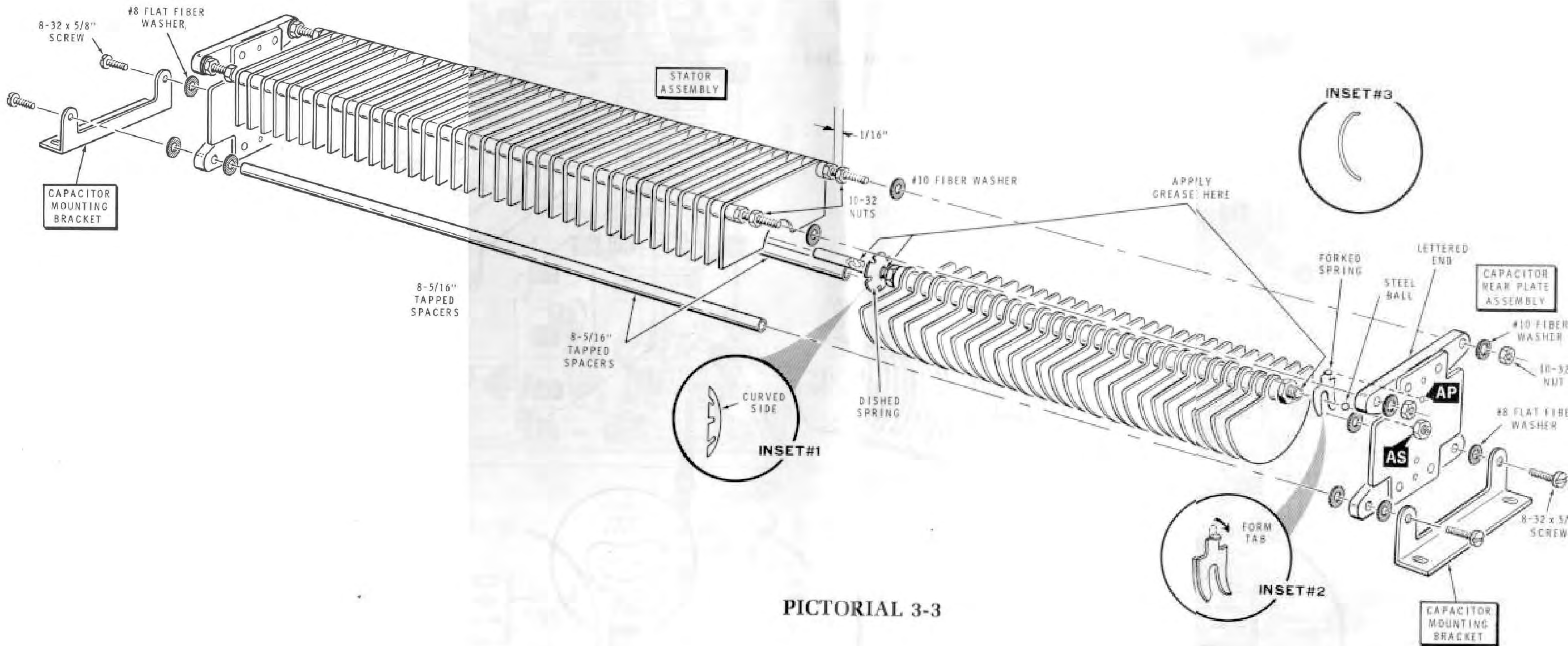


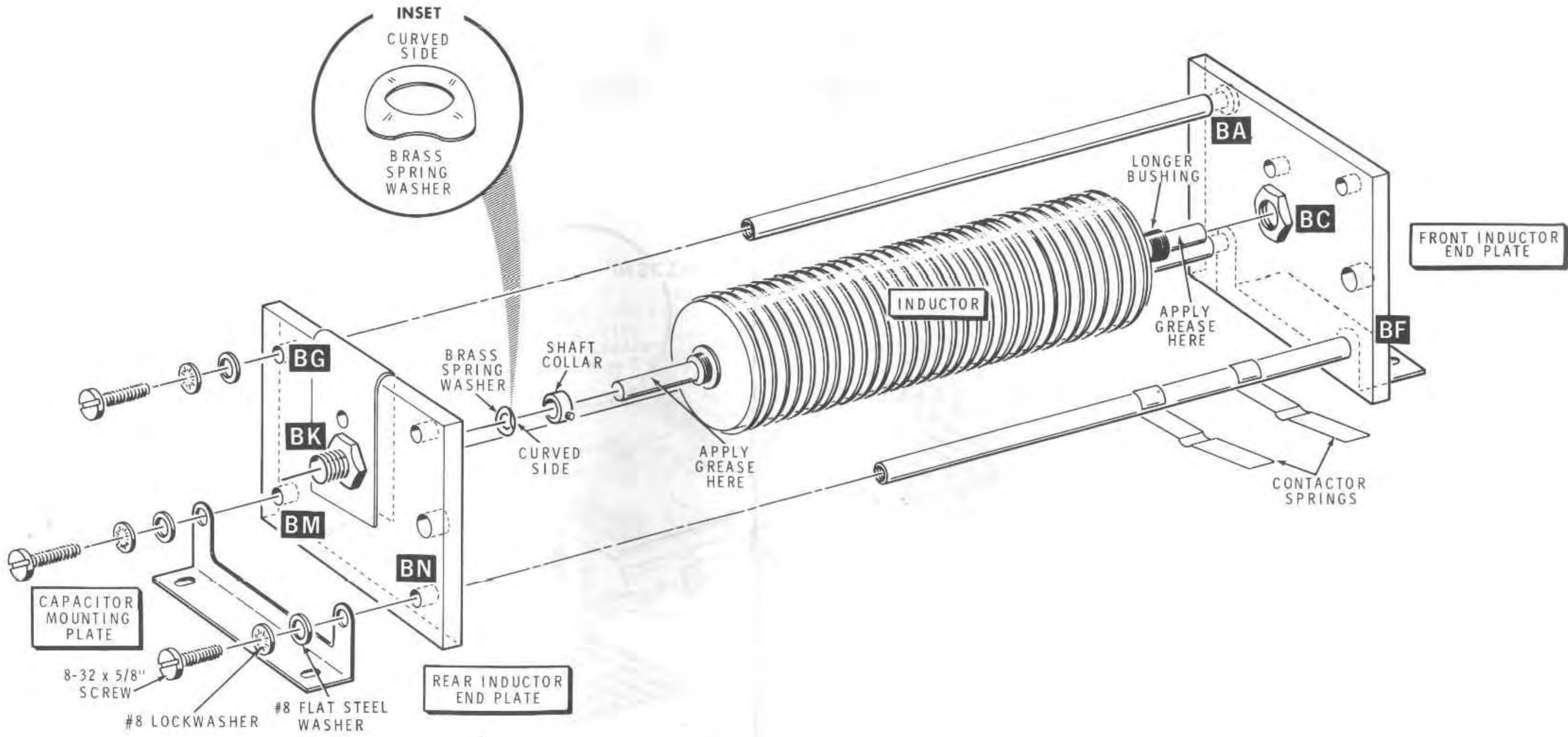
PICTORIAL 2-7



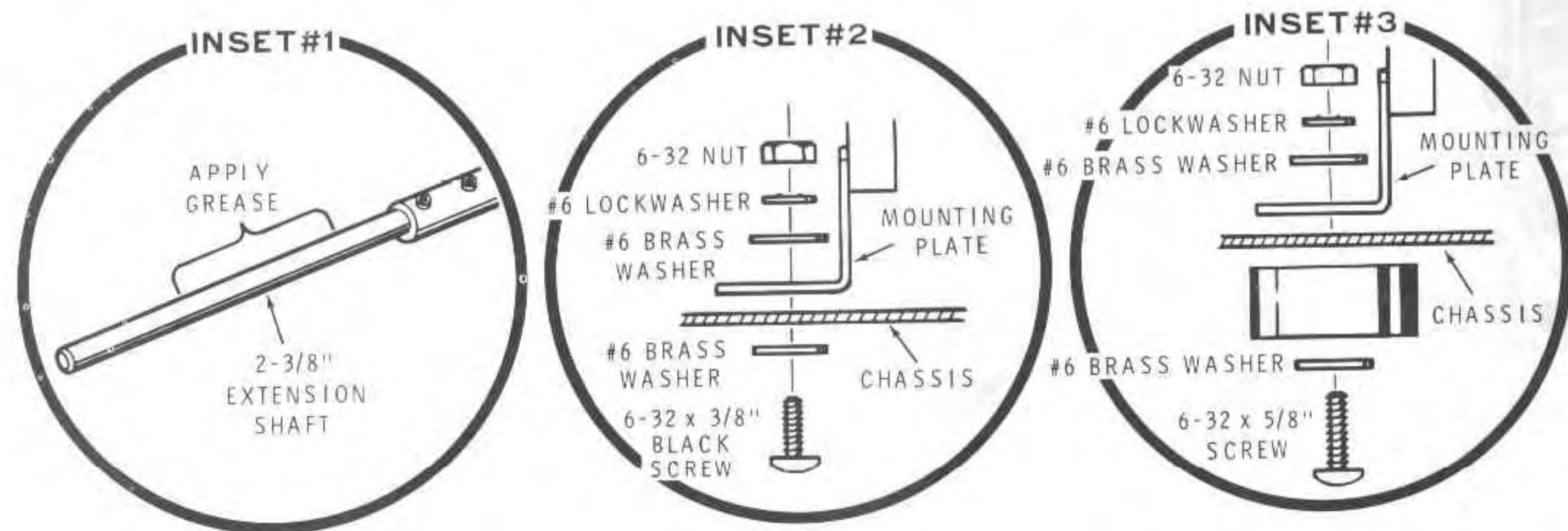
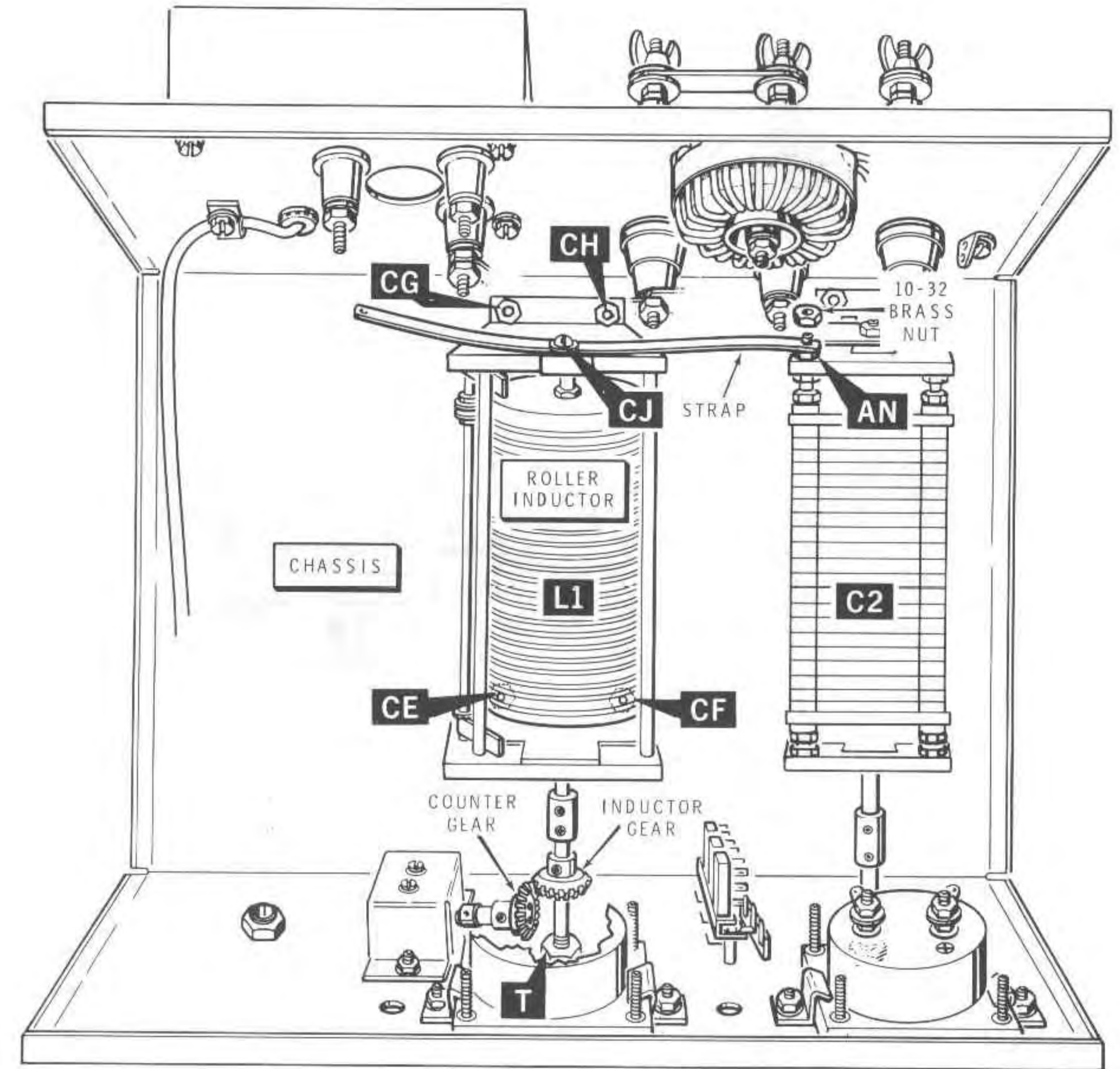
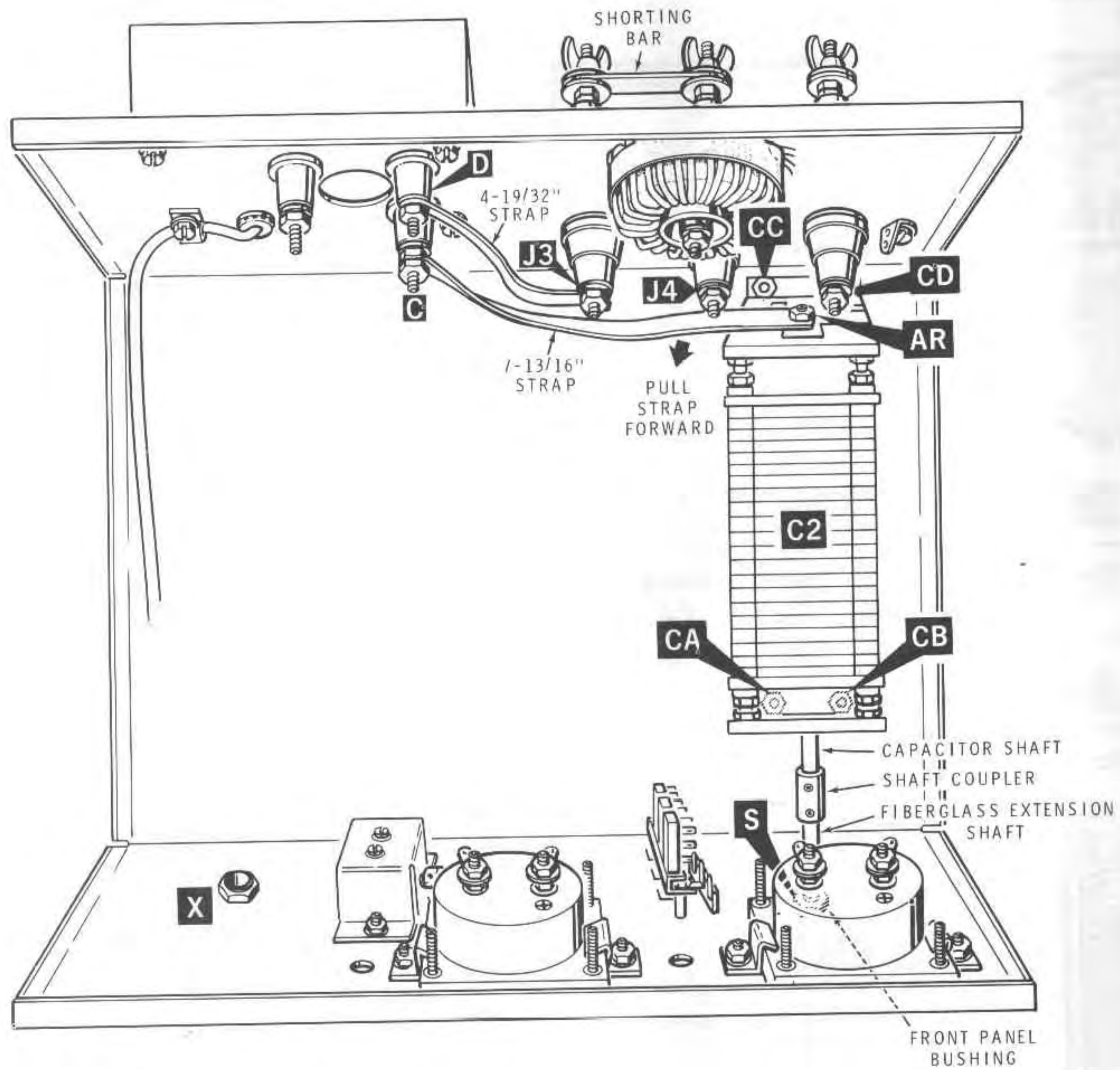
PICTORIAL 3-2



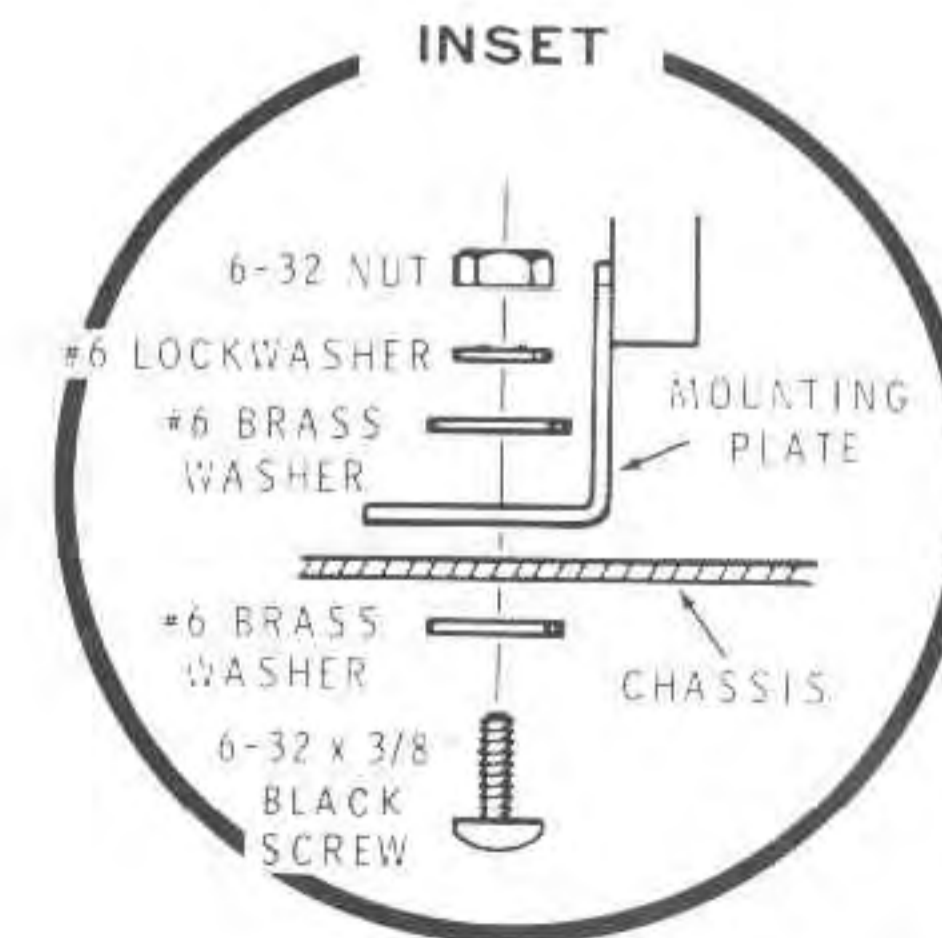




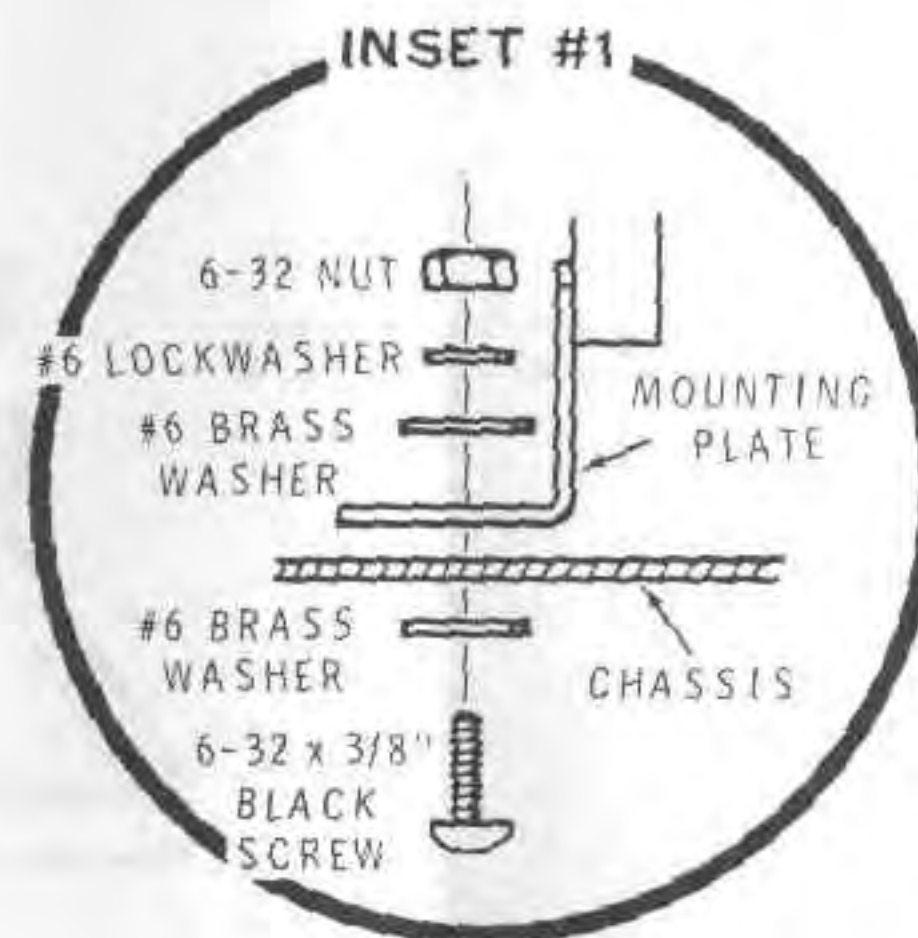
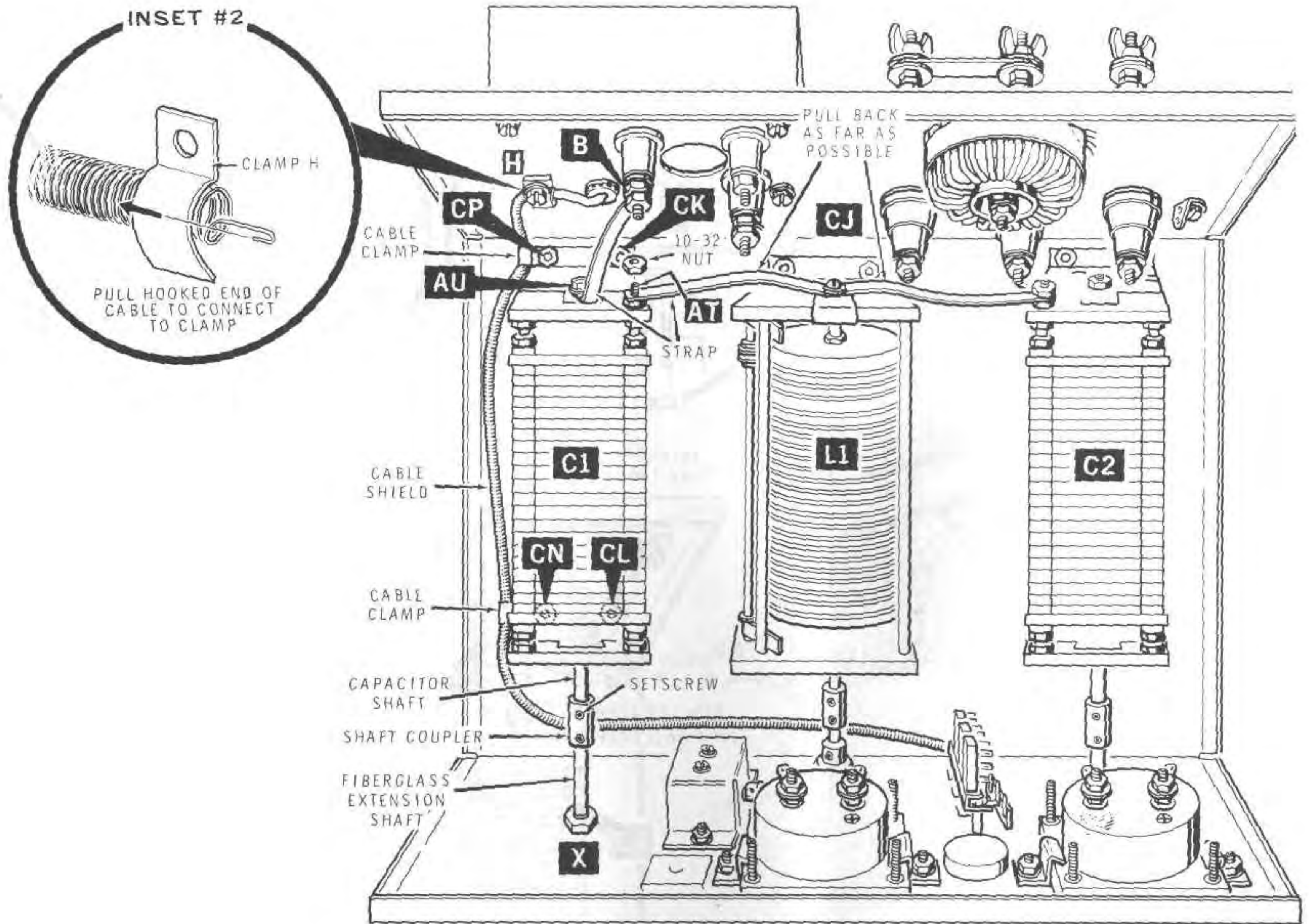
PICTORIAL 4-1



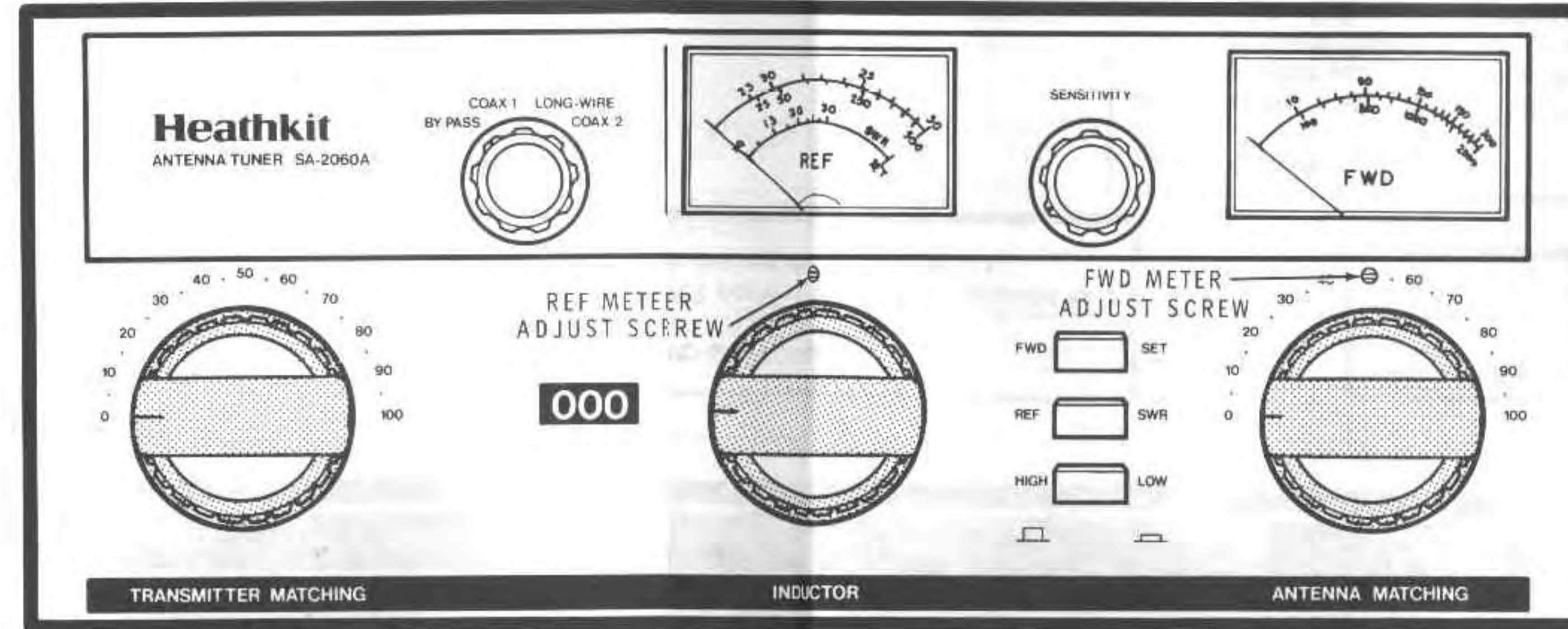
PICTORIAL 6-2



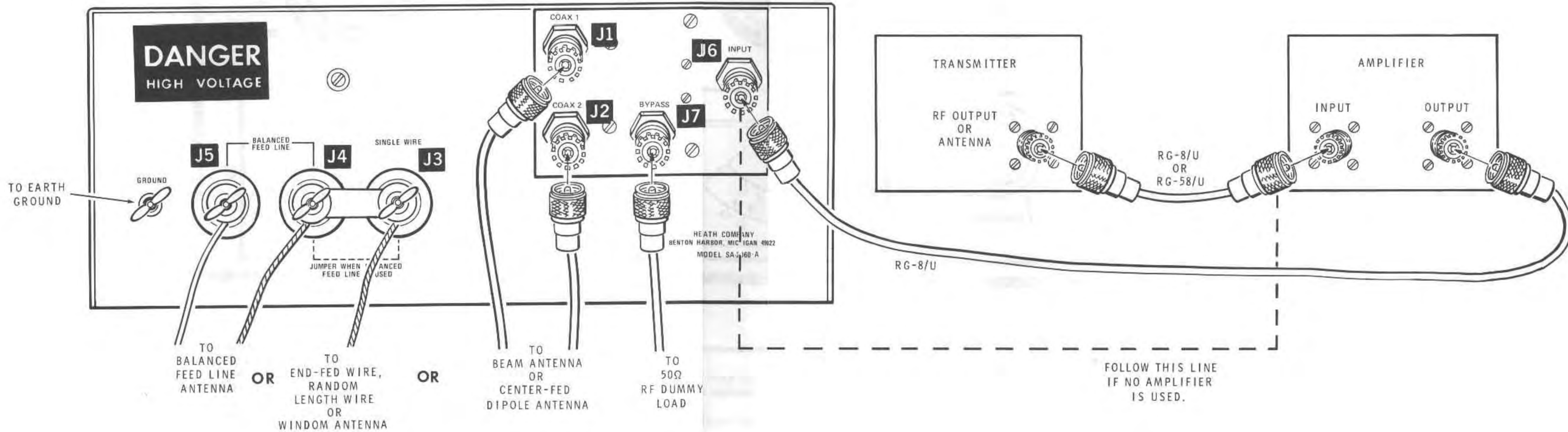
PICTORIAL 6-3



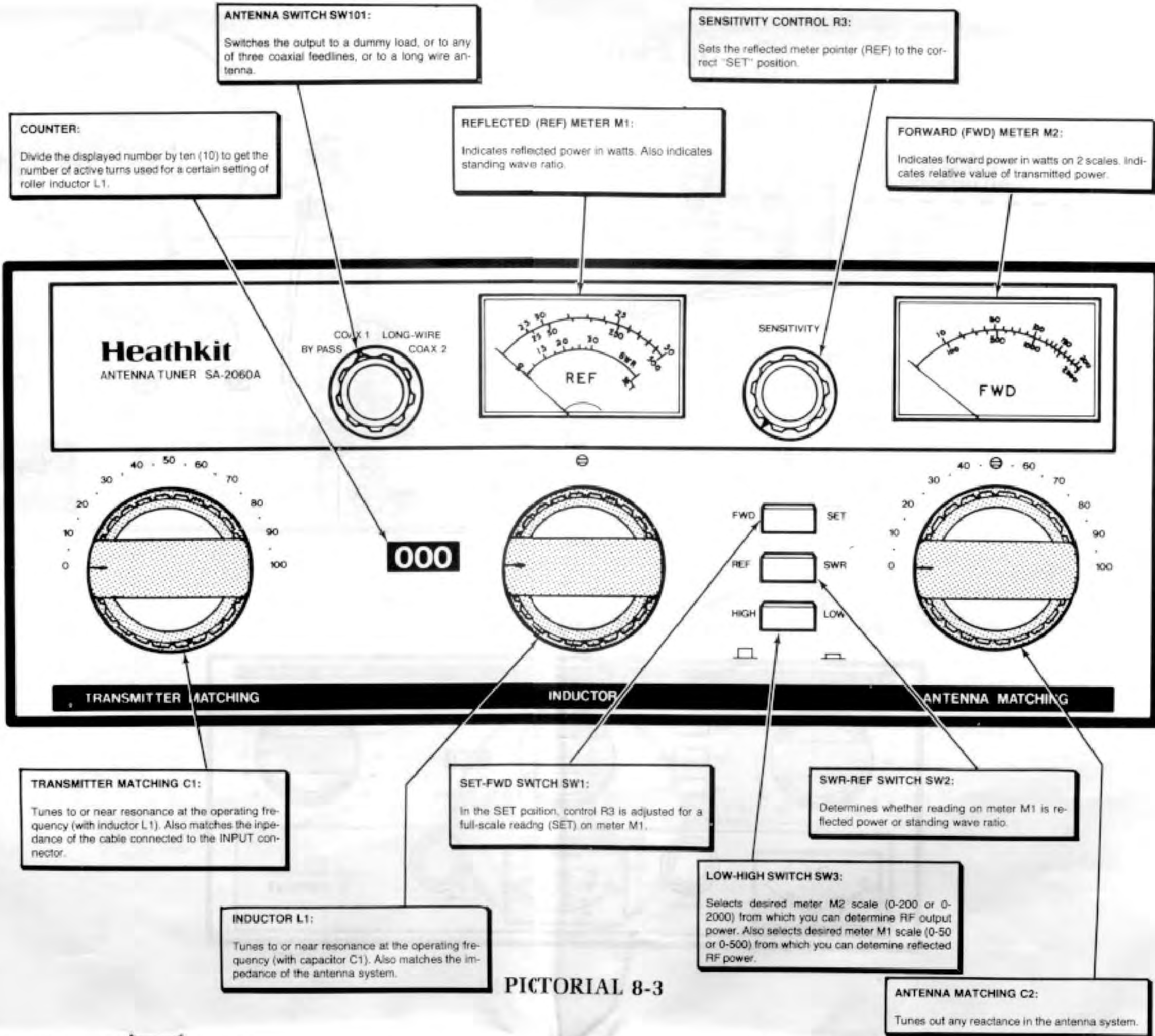
**PICTORIAL 6-4**



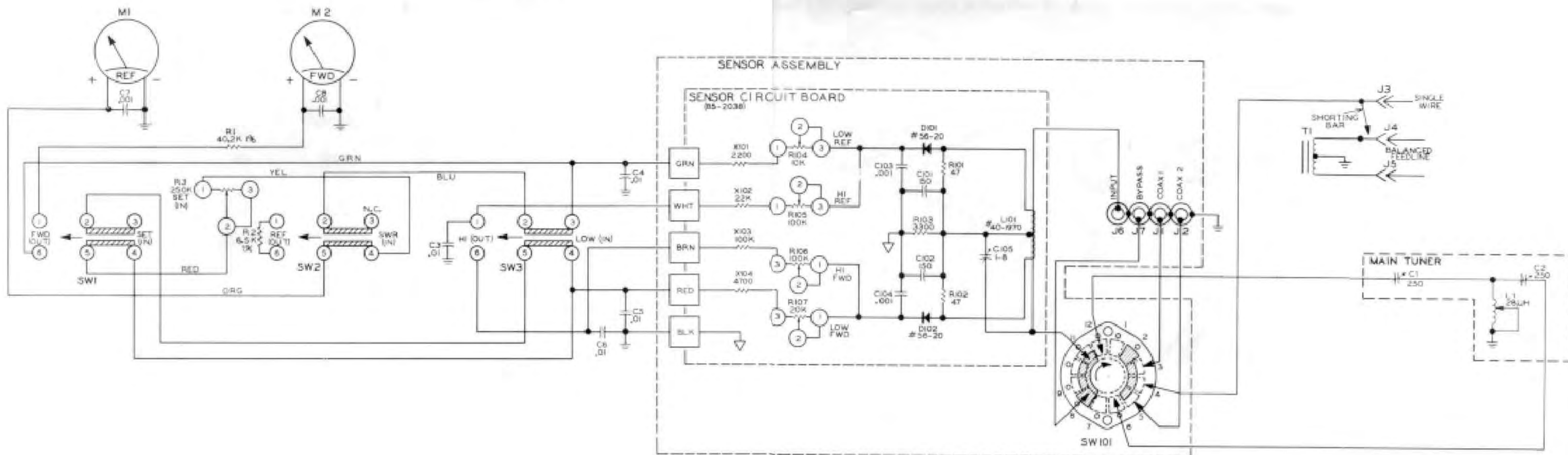
PICTORIAL 8-1



PICTORIAL 8-2



PICTORIAL 8-3



**SCHEMATIC OF THE  
HEATHKIT®  
DELUXE ANTENNA TUNER  
MODEL SA-2060A**

NOTES:

1. ALL RESISTOR VALUES ARE IN OHMS ( $\Omega$ ); (K=1000).
2. ALL RESISTORS ARE 1/4-WATT, 5% TOLERANCE UNLESS OTHERWISE NOTED.
3. CAPACITOR VALUES LESS THAN 1 ARE IN  $\mu$ F (MICRO-FARADS), VALUES OF 1 OR GREATER ARE IN pF (PICOFARADS) UNLESS OTHERWISE MARKED.
4.  $\perp$  THIS SYMBOL INDICATES A CHASSIS GROUND.
5.  $\nabla$  THIS SYMBOL INDICATES A CIRCUIT BOARD GROUND.
6.  $\square$  THIS SYMBOL INDICATES A CIRCUIT BOARD WIRE CONNECTION.
7. SWITCH SW101 SHOWN IN BYPASS POSITION.

# **K4XL's** **BAMA**

This manual is provided **FREE OF CHARGE** from the "BoatAnchor Manual Archive" as a service to the Boatanchor community.

It was uploaded by someone who wanted to help you repair and maintain your equipment.

If you paid anyone other than BAMA for this manual, you paid someone who is making a profit from the free labor of others without asking their permission.

You may pass on copies of this manual to anyone who needs it. But do it without charge.

Thousands of files are available without charge from BAMA. Visit us at <http://bama.sbc.edu>