

MAIN U-93

U-94

U-95

U-96

U-97

U-98

U-99

U-100

U-101

U-102

U-103

U-104

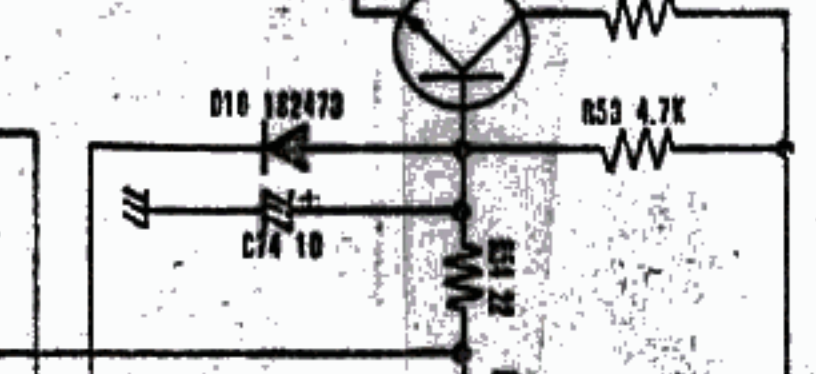
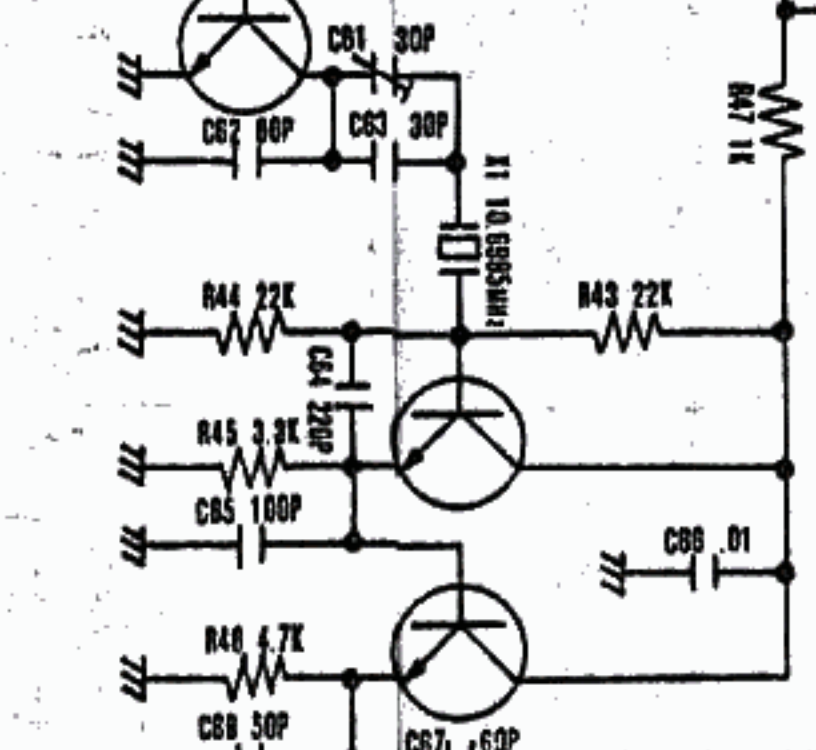
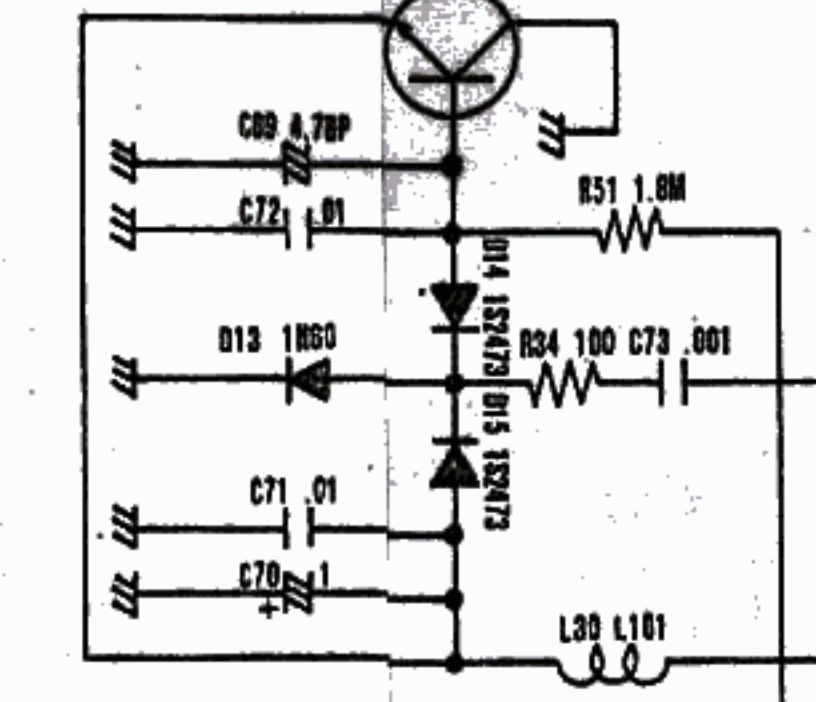
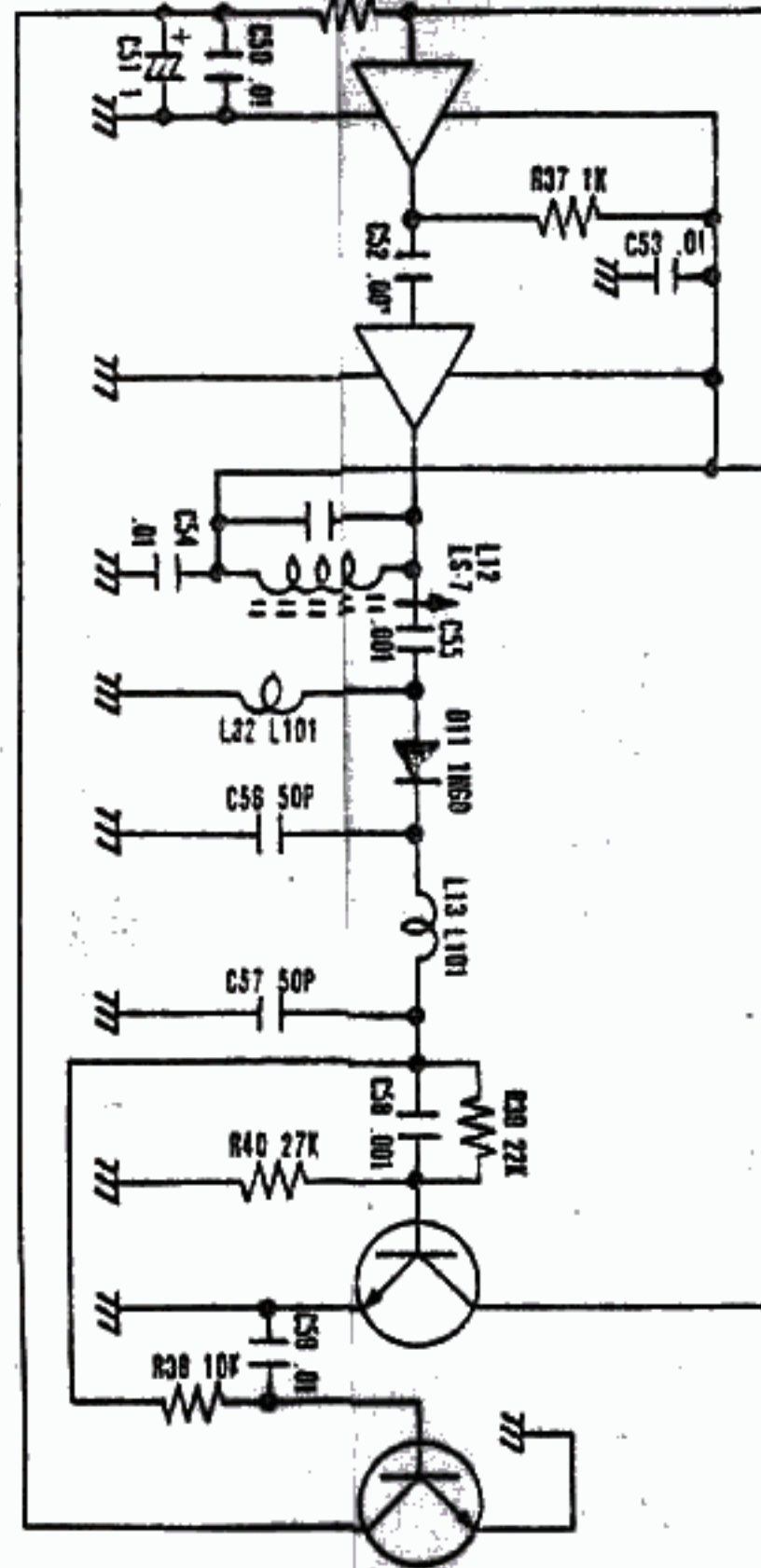
U-105

U-106

U-107

U-108

U-109



U-98

U-99

U-100

U-101

U-102

U-103

U-104

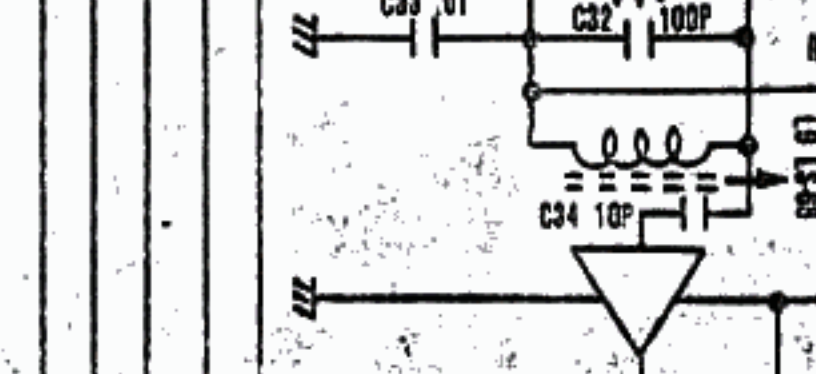
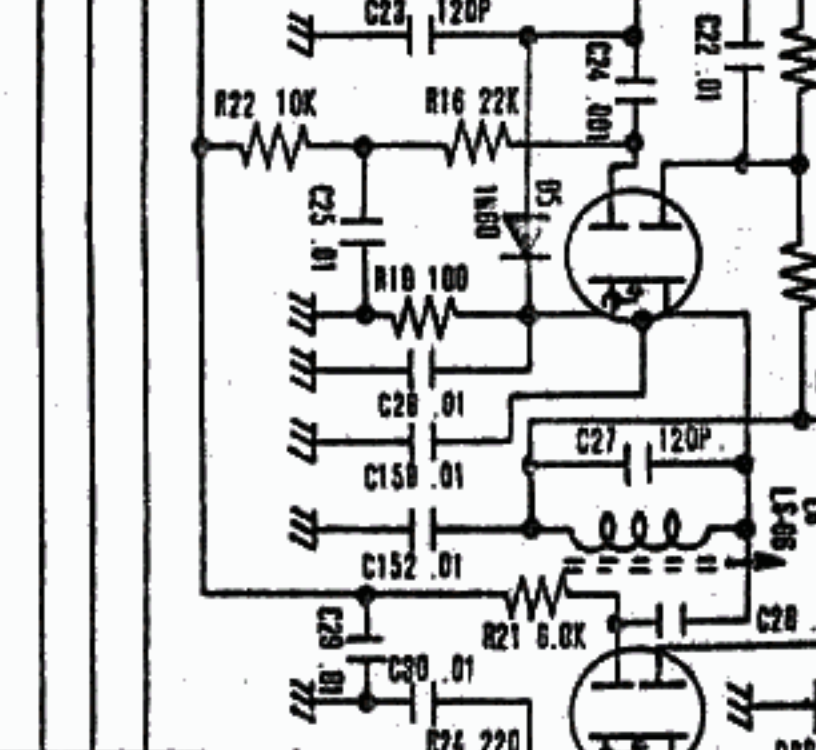
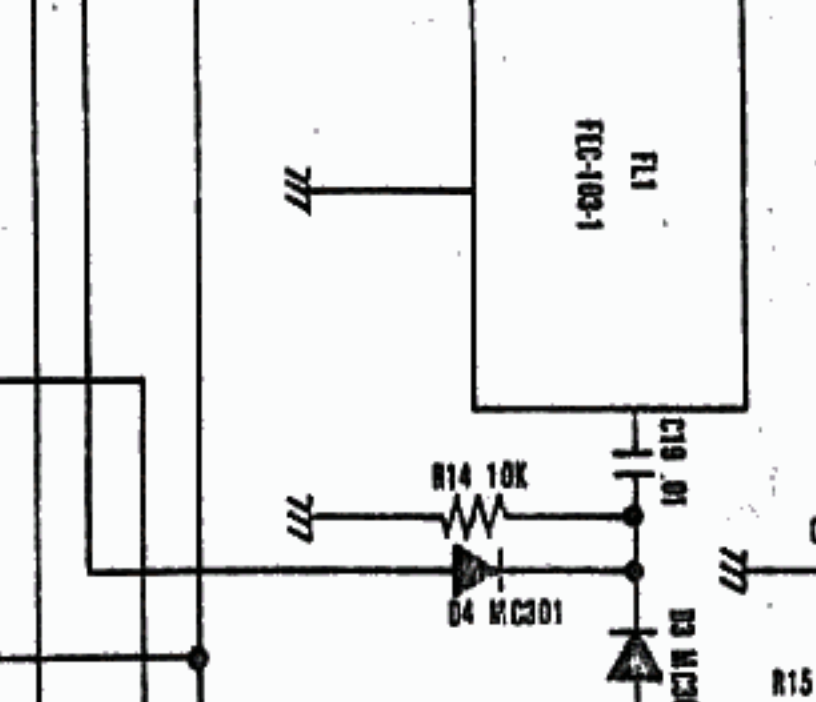
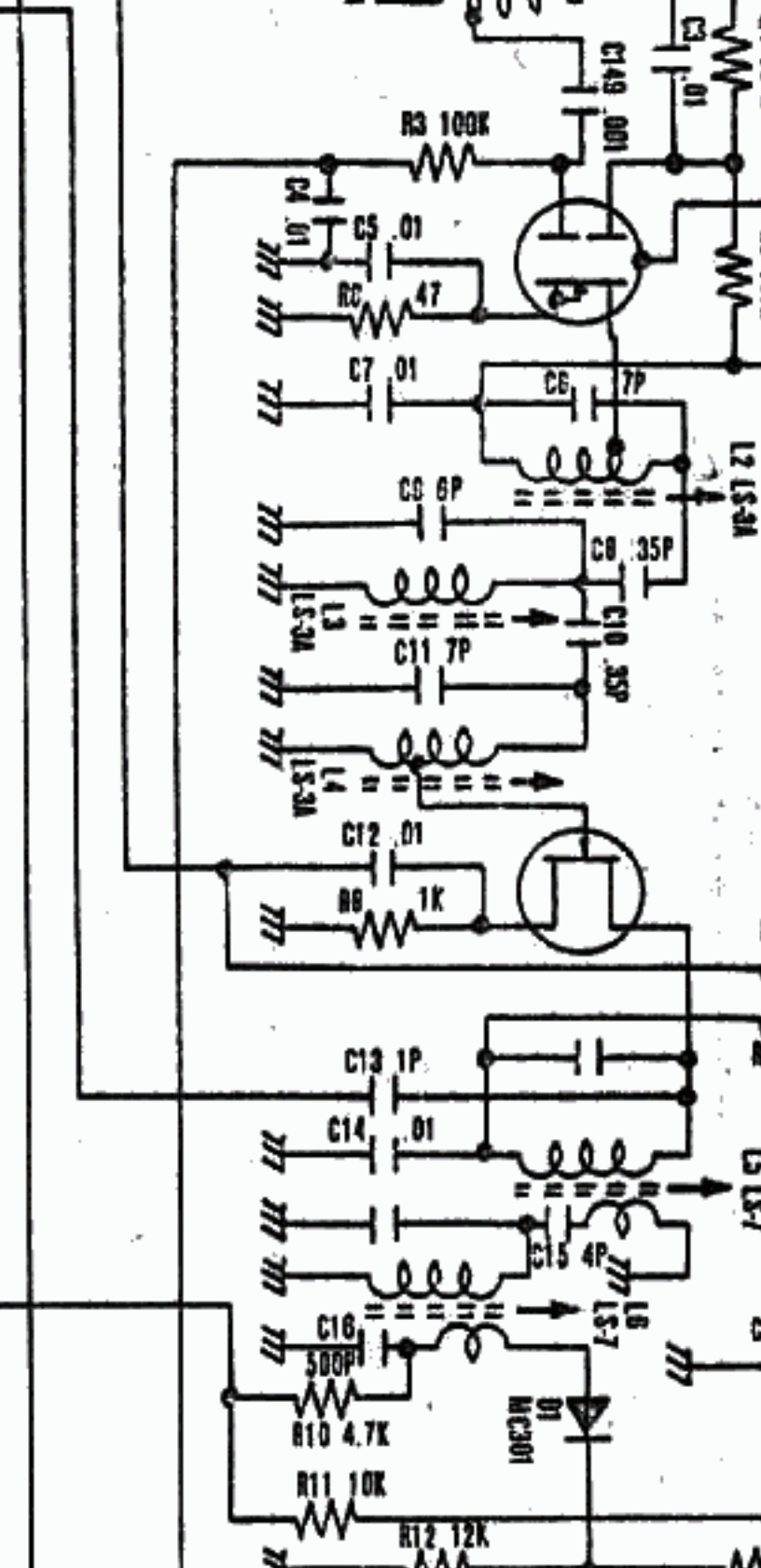
U-105

U-106

U-107

U-108

U-109



U-102

U-103

U-104

U-105

U-106

U-107

U-108

U-109

U-110

U-111

U-112

U-113

U-114

U-115

U-116

U-117

U-118

U-119

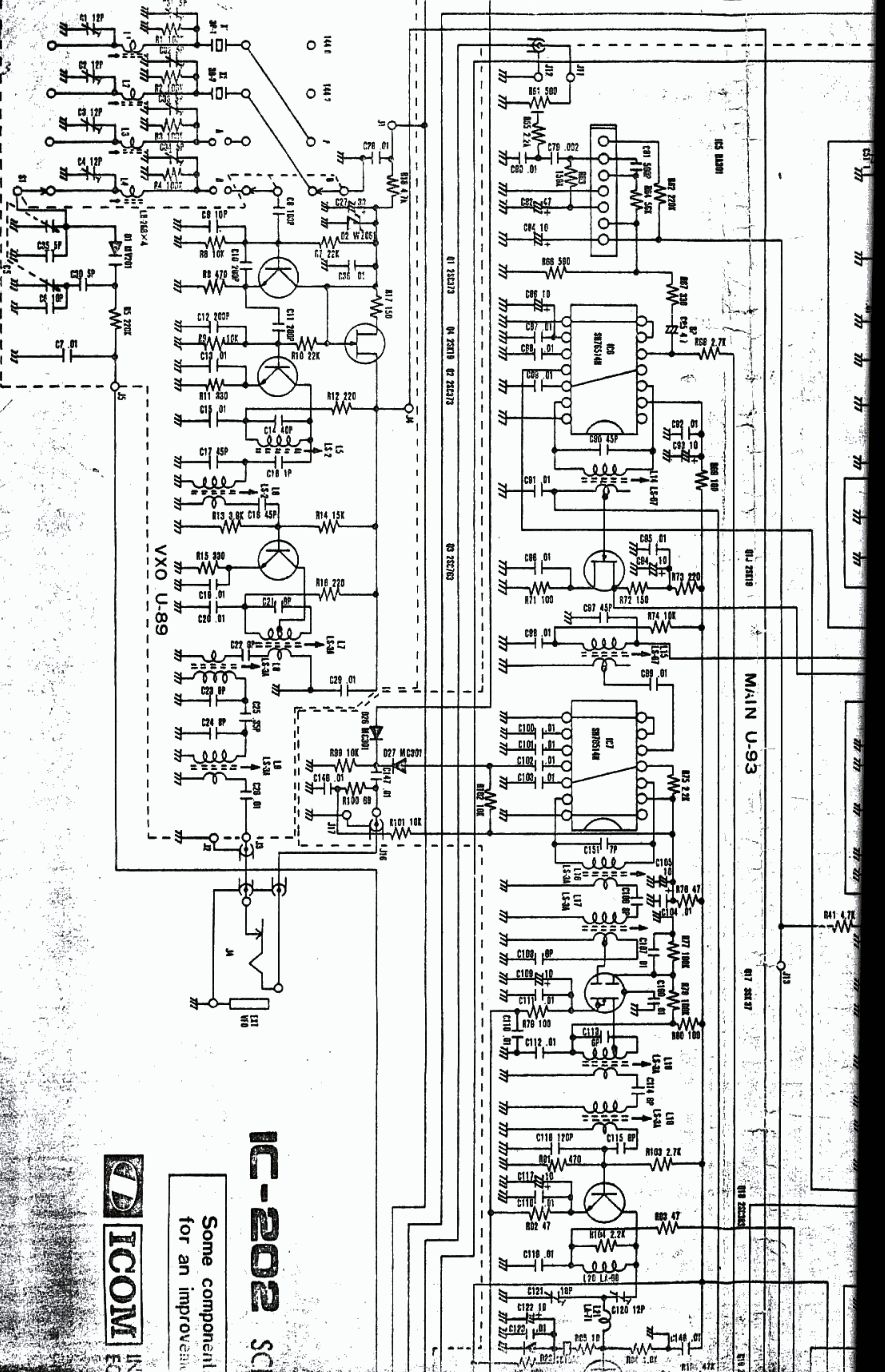
U-120

U-121

U-122

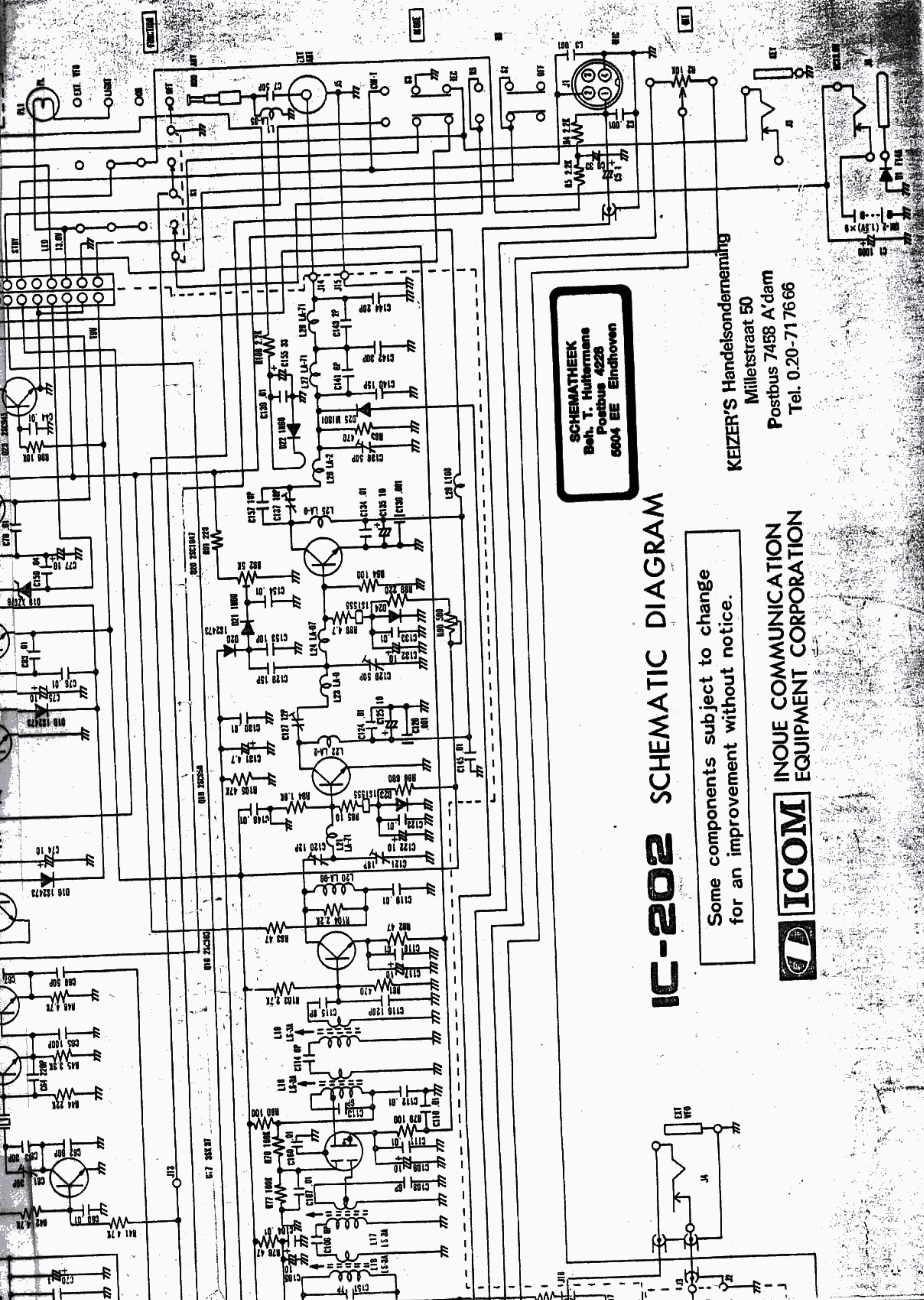
U-123

<



IC-202 SC1

Some components
for an improvement



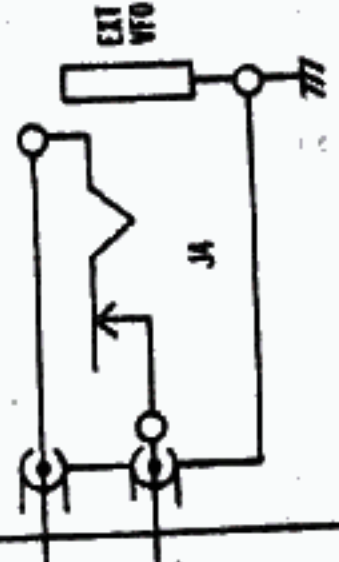
SCHEMATHEEK
 Beh. T. Huitermans
 Postbus 4228
 6604 EE Eindhoven

IC-202 SCHEMATIC DIAGRAM

Some components subject to change
 for an improvement without notice.

KEIZER'S Handelsonderneming
 Milletstraat 50
 Postbus 7458 A'dam
 Tel. 0.20-717666

ICOM INOUE COMMUNICATION
 EQUIPMENT CORPORATION



06 MEM010

07 MEM016

