

**ICOM**

**SERVICE  
MANUAL**

144MHz FM TRANSCEIVER

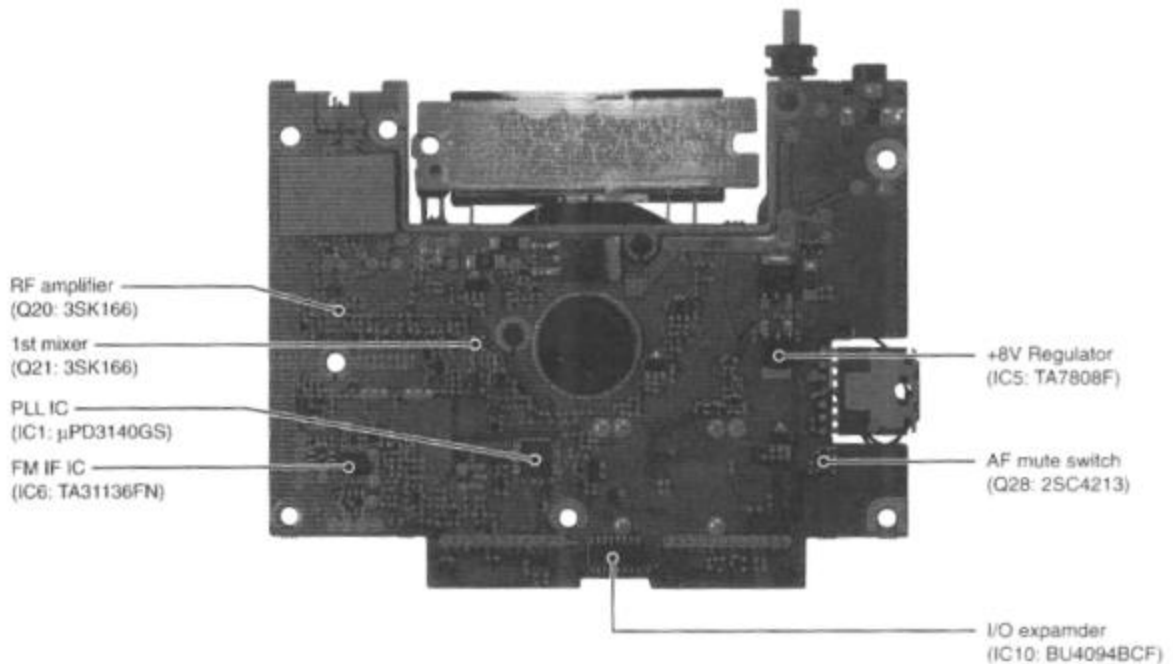
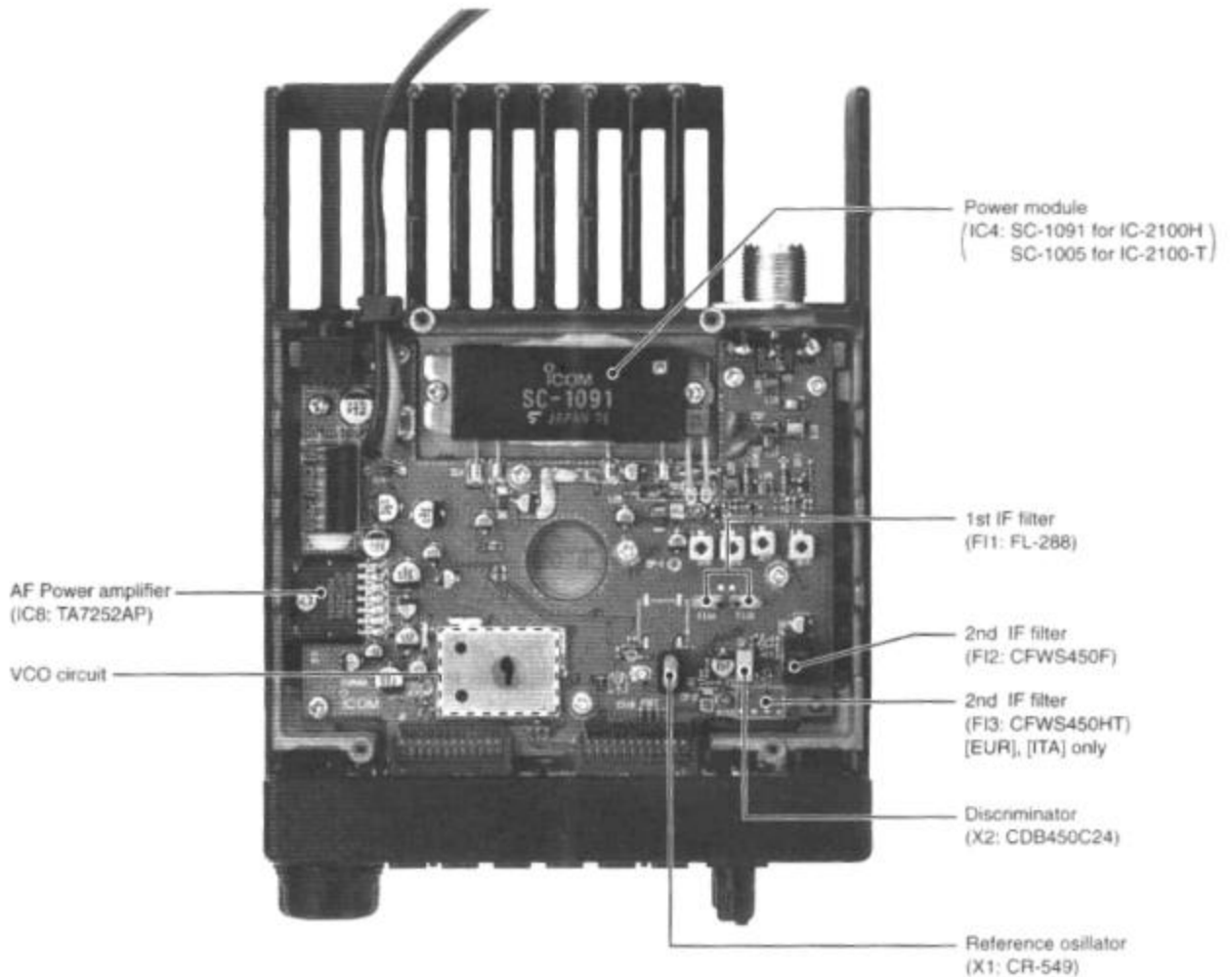
**IC-2100H**

**IC-2100-T**

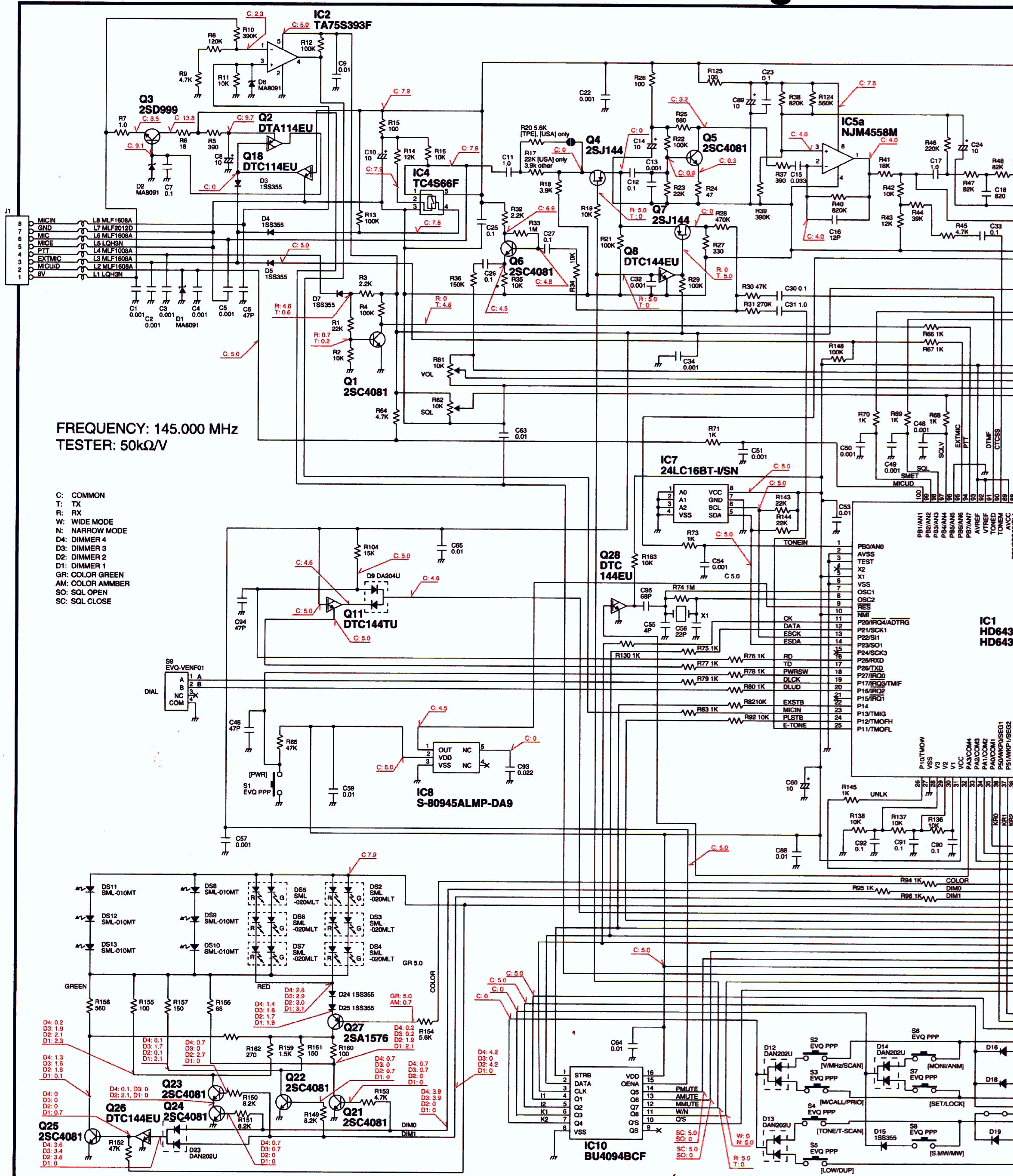


## SECTION 2 INSIDE VIEWS

### • MAIN UNIT



# Control Panel Left Page



FREQUENCY: 145.000 MHz  
 TESTER: 50kΩ/V

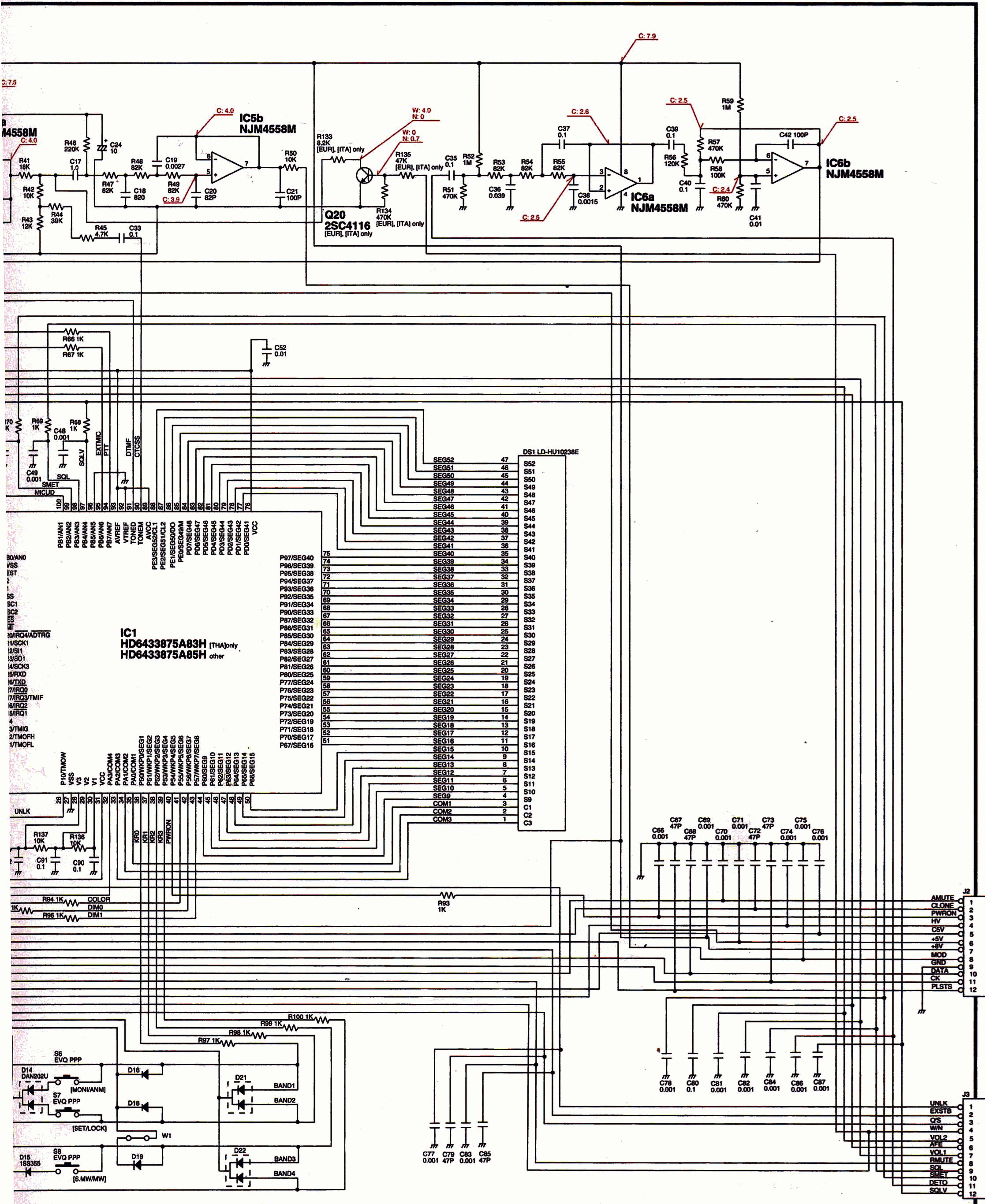
- C: COMMON
- T: TX
- R: RX
- W: WIDE MODE
- N: NARROW MODE
- D4: DIMMER 4
- D3: DIMMER 3
- D2: DIMMER 2
- D1: DIMMER 1
- GR: COLOR GREEN
- AM: COLOR AMMBER
- SO: SOL OPEN
- SC: SOL CLOSE

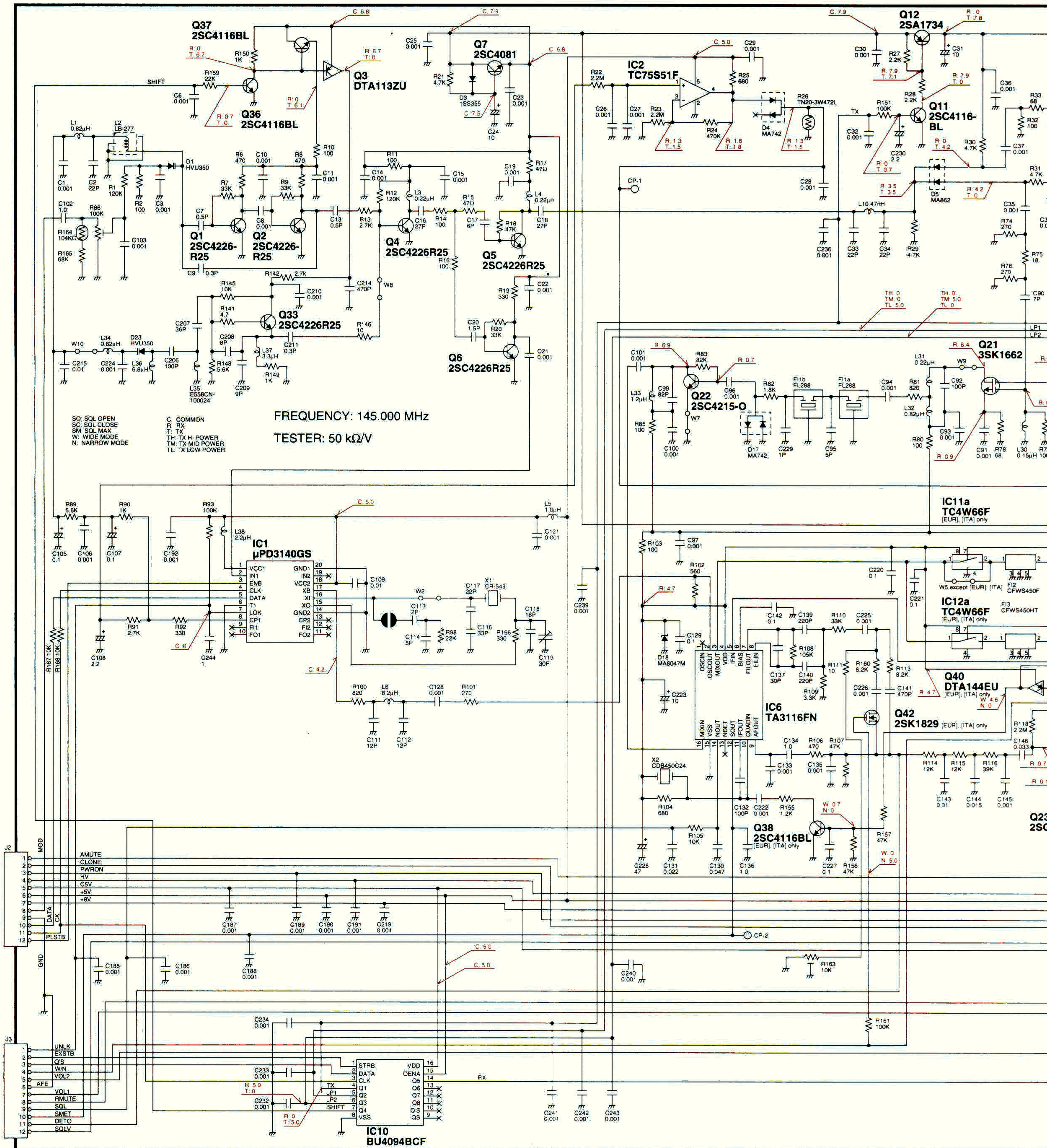
IC1  
 HD6433  
 HD6433

COLOR  
 DIM0  
 DIM1

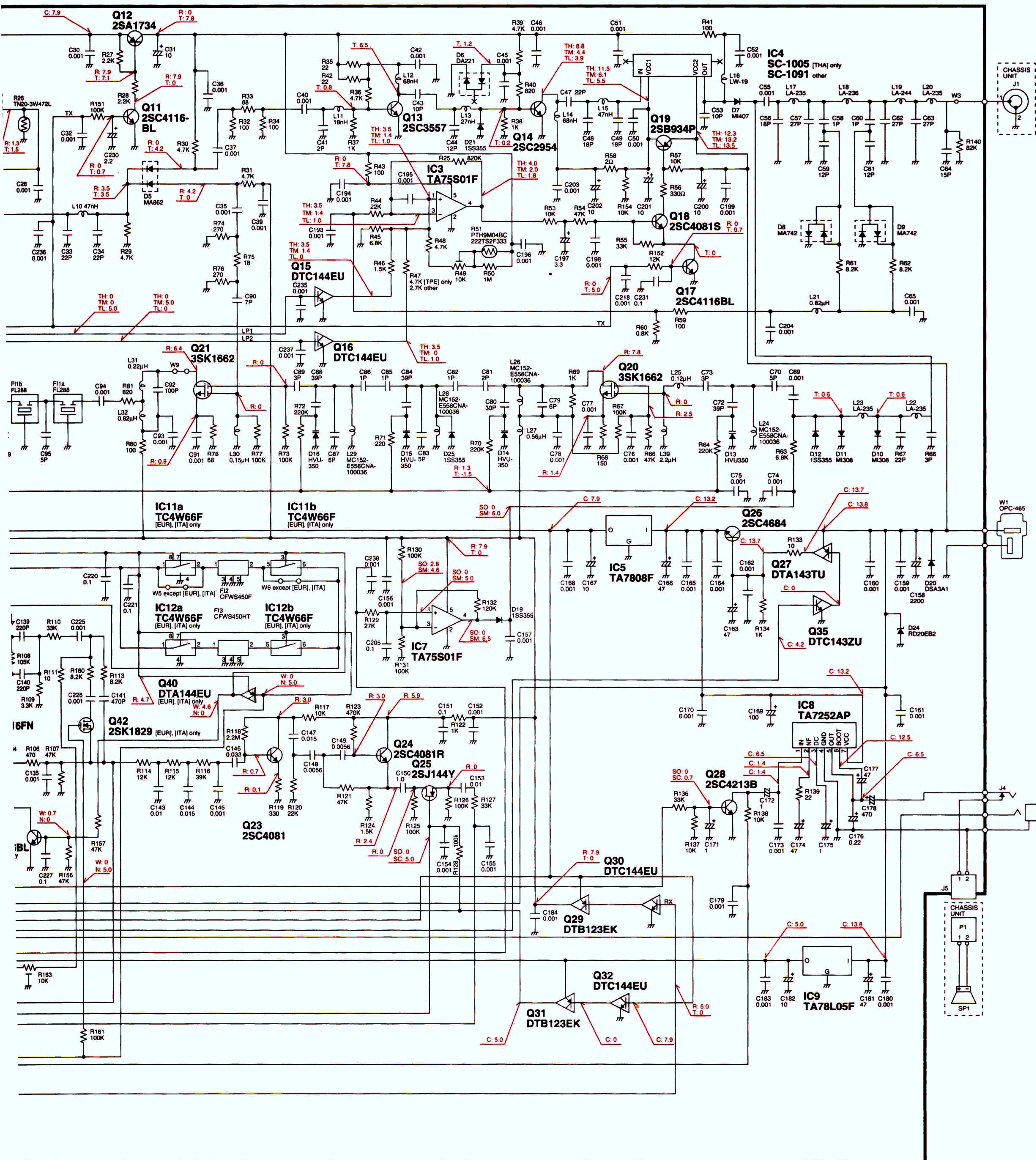
[LOW/DUP]

# Control Panel Right Page



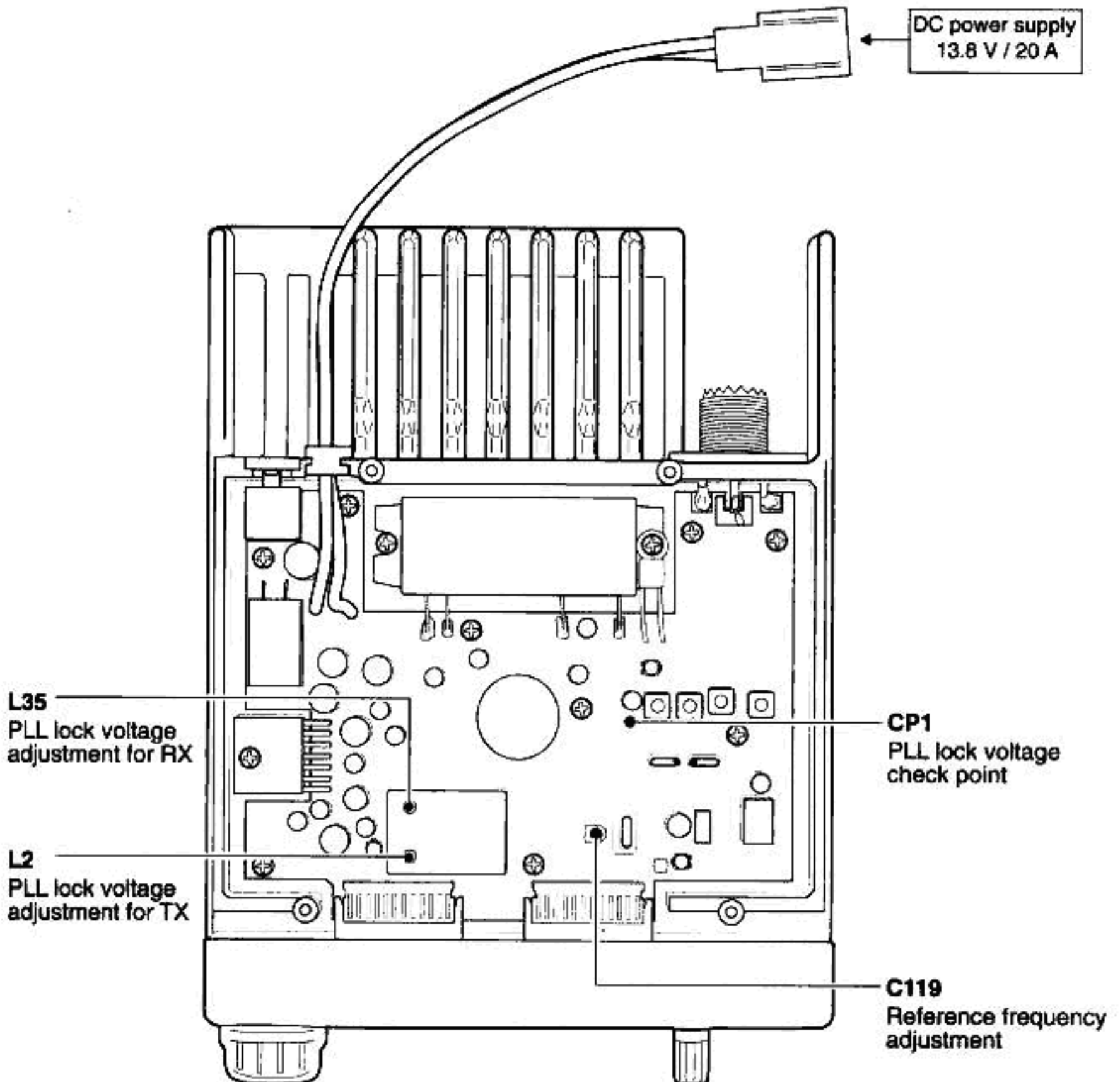


# Main diagram right



## 4-2 PLL ADJUSTMENTS

ADJUSTMENT	ADJUSTMENT CONDITION	MEASUREMENT		VALUE	ADJUSTMENT POINT	
		UNIT	LOCATION		UNIT	ADJUST
PLL LOCK VOLTAGE	1 • Displayed frequency : 145.000 MHz • Receiving	MAIN	Connect a digital multi-meter or oscilloscope to the check point CP1.	1.25–1.30 V	MAIN	L35
	2 • Transmitting					L2
PLL REFERENCE FREQUENCY	1 • Displayed frequency : 145.000 MHz [EUR, TPE, THA] 146.000 MHz [ITA, USA, SEA, LA] • Output power : Low • Transmitting	Rear Panel	Loosely couple the frequency counter to the antenna connector.	145.00000 MHz [EUR, TPE, THA] 146.00000 MHz [ITA, USA, SEA, LA]	MAIN	C119



DC power supply  
13.8 V / 20 A

**R49**  
Output power  
adjustment

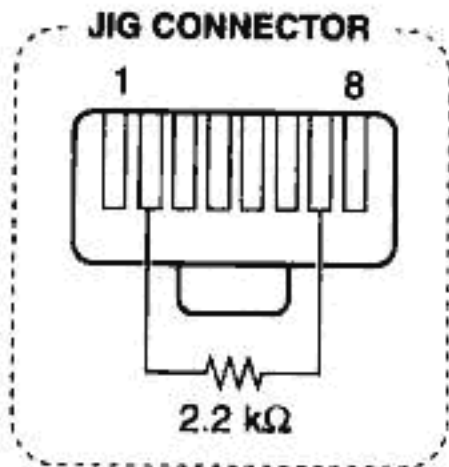
**R86**  
Deviation  
adjustment

Sensitivity  
adjustment

**L24**  
**L26**  
**L28**  
**L29**

**R163**  
Squelch  
adjustment

**CP2**  
Sensitivity  
check point



to microphone connector

