



SERVICE MANUAL

DUAL BAND FM TRANSCEIVER

IC-2700H

INTRODUCTION

This service manual describes the latest service information for the **IC-2700H** DUAL BAND FM TRANSCEIVER at the time of publication.

VERSION NO.	VERSION	SYMBOL
#22	Europe	EUR
#23	Italy	ITA
#25	U.S.A.	USA
#26	Korea	KOR
#27	Australia	AUS
#28	Asia	SEA

To upgrade quality, any electrical or mechanical parts and internal circuits are subject to change without notice or obligation.



ORDERING PARTS

Be sure to include the following four points when ordering replacement parts:

1. 10-digit order numbers
2. Component part number and name
3. Equipment model name and unit name
4. Quantity required

<SAMPLE ORDER>

1130004190 S.IC LC7582A IC-2700H CONTROL UNIT 5 pieces
8810002440 Screw FH M2.6x4 ZK BS IC-2700H Top cover 10 pieces

Addresses are provided on the inside back cover for your convenience.

DANGER

NEVER connect the transceiver to an AC outlet or to a DC power supply that uses more than 16 V. This will ruin the transceiver.

DO NOT expose the transceiver to rain, snow or any liquids.

DO NOT reverse the polarities of the DC power supply when connecting the transceiver.

DO NOT apply an RF signal of more than 20 dBm (100 mW) to the antenna connector. This could damage the transceiver's front end.

REPAIR NOTES

1. Make sure a problem is internal before disassembling the transceiver.
2. **DO NOT** open the transceiver until the transceiver is disconnected from its power source.
3. **DO NOT** force any of the variable components. Turn them slowly and smoothly.
4. **DO NOT** short any circuits or electronic parts. An insulated tuning tool **MUST** be used for all adjustments.
5. **DO NOT** keep power ON for a long time when the transceiver is defective.
6. **DO NOT** transmit power into a signal generator or a sweep generator.
7. **ALWAYS** connect a 50 dB to 60 dB attenuator between the transceiver and a deviation meter or spectrum analyzer when using such test equipment.
8. **READ** the instructions of test equipment thoroughly before connecting equipment to the transceiver.

TABLE OF CONTENTS

SECTION	1	SPECIFICATIONS	1 - 1
SECTION	2	INSIDE VIEWS	2 - 1
SECTION	3	DISASSEMBLY INSTRUCTIONS	3 - 1
SECTION	4	ADJUSTMENT PROCEDURES	4 - 1 to 5
	4 - 1	PLL ADJUSTMENT	4 - 1
	4 - 2	RECEIVER ADJUSTMENT	4 - 2
	4 - 3	TRANSMITTER ADJUSTMENT	4 - 4
SECTION	5	PARTS LIST	5 - 1 to 18
SECTION	6	MECHANICAL PARTS	6 - 1 to 4
	6 - 1	FRONT AND CABINET PARTS	6 - 1
	6 - 2	CHASSIS PARTS AND ACCESSORIES	6 - 3
SECTION	7	SEMI-CONDUCTOR INFORMATION	7 - 1
SECTION	8	BOARD LAYOUTS	8 - 1 to 14
	8 - 1	CONTROL UNIT	8 - 1
	8 - 2	LOGIC UNIT	8 - 3
	8 - 3	AF UNIT	8 - 5
	8 - 4	MAIN-A UNIT	8 - 7
	8 - 5	MAIN-B UNIT	8 - 11
SECTION	9	OPTIONAL UNITS	9 - 1 to 6
SECTION	10	BLOCK DIAGRAM	10 - 1
SECTION	11	VOLTAGE DIAGRAM	11 - 1 to 3

SECTION 1 SPECIFICATIONS

GENERAL

- Frequency coverage

VERSION	VHF	UHF
U.S.A.	144.000-148.000	440.000-450.000
Europe	144.000-146.000	430.000-440.000
Italy	144.000-148.000 (TX) 136.000-174.000* ¹ (RX)	430.000-440.000 (TX) 400.000-479.000* ² (RX)
Australia	144.000-148.000	430.000-440.000
Asia	144.000-148.000 (TX) 136.000-174.000* ¹ (RX)	430.000-440.000
Korea	144.000-146.000	435.075-440.000

Unit: MHz

*¹ Specifications guaranteed for 144.000-148.000 MHz.

*² Specifications guaranteed for 430.000-440.000 MHz.

- Tuning step increments : 5, 10, 12.5, 15, 20, 25, 30 or 50 kHz
- Mode : FM (F3)
- Antenna impedance : 50 Ω nominal
- Power supply requirement : 13.8 V DC \pm 15% (negative ground)
- Usable temperature range : -10°C to $+60^{\circ}\text{C}$ ($+14^{\circ}\text{F}$ to $+140^{\circ}\text{F}$)
- Dimensions : 140 (W) \times 40 (H) \times 177 (D) mm
5.5 (W) \times 1.6 (H) \times 7.0 (D) in
(projections not included)
- Weight : 1.45 kg (3.2 lb)

TRANSMITTER

- Modulation system : Variable reactance frequency modulation
- Max. frequency deviation : ± 5 kHz
- Spurious emissions : Less than -60 dB
- Microphone impedance : 600 Ω
- Output power and current drain (at 13.8 V DC) :

		POWER	CURRENT
VHF	High	50 W	12.0 A
	Low 2	10 W	5.5 A
	Low 1	5 W	4.0 A
UHF	High	35 W	11.5 A
	Low 2	10 W	6.0 A
	Low 1	5 W	4.5 A

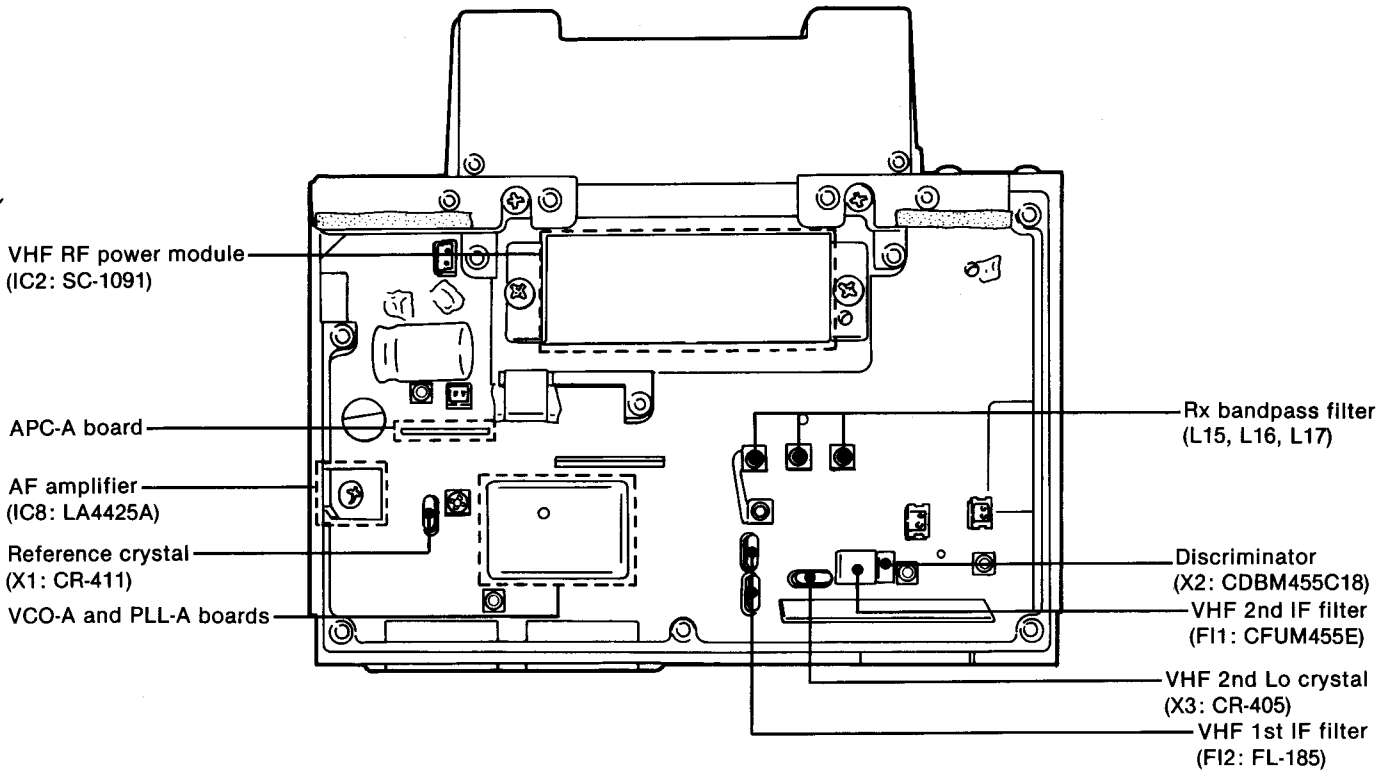
RECEIVER

- Receive system : Double-conversion superheterodyne
- Intermediate frequencies : 1st 41.8 MHz (VHF)
42.25 MHz (UHF)
2nd 455 kHz
- Sensitivity : Less than 0.16 μV for 12 dB SINAD
- Squelch threshold sensitivity : Less than 0.13 μV
- Selectivity : More than 15 kHz/ -6 dB
Less than 30 kHz/ -60 dB
- Spurious rejection ratio : More than 60 dB
- Audio output power : More than 2.0 W at 10% distortion with an 8 Ω load
- Current drain : Max. audio output 1.8 A Squelched 1.2 A
- Audio output impedance : 4-8 Ω

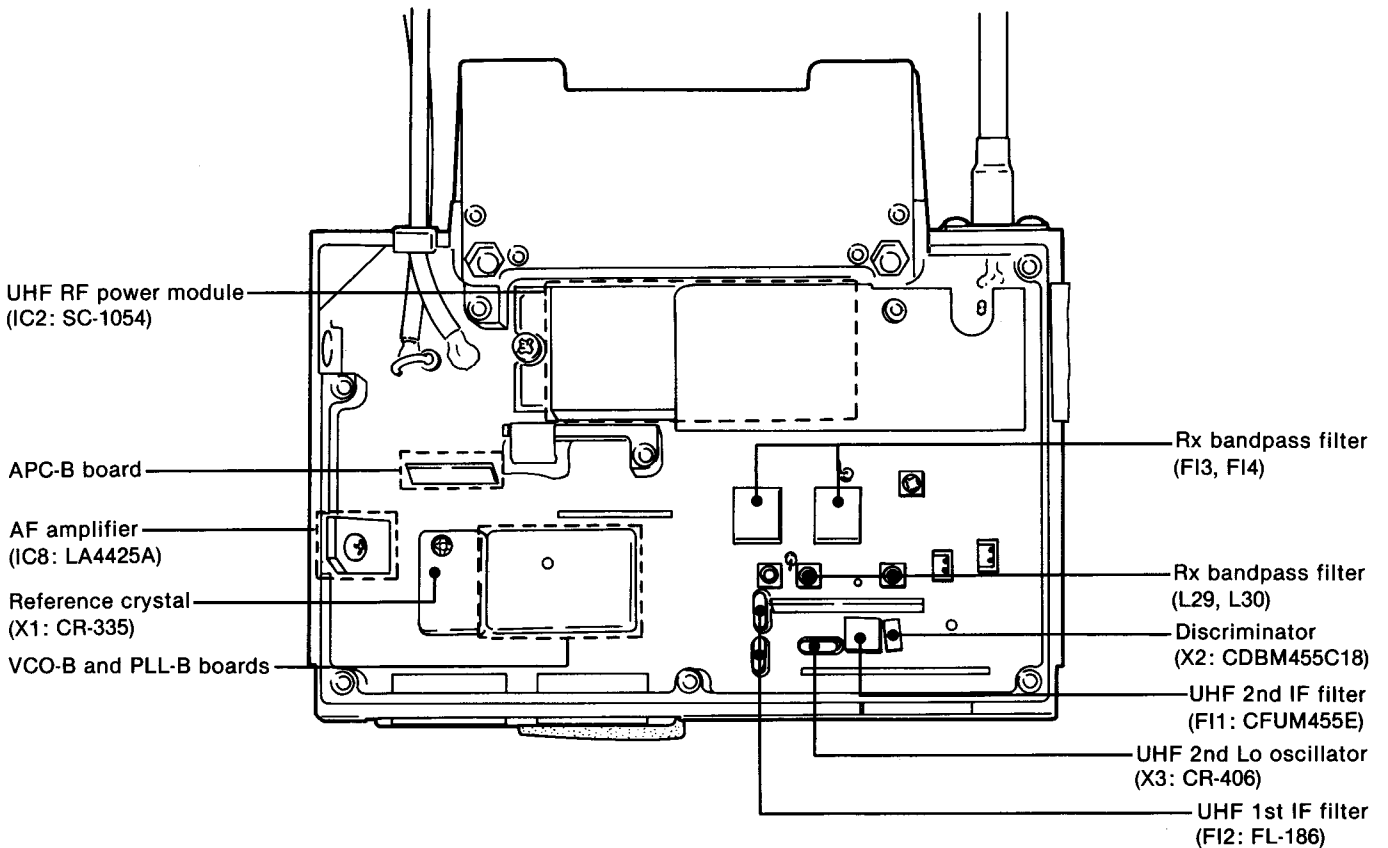
All stated specifications are subject to change without notice or obligation.

SECTION 2 INSIDE VIEWS

• MAIN-A UNIT



• MAIN-B UNIT



SECTION 3 DISASSEMBLY INSTRUCTIONS

Fig. 1 Removing the panels

1. Push the release button, then detach the front panel.
Disconnect the control cable from main body.
2. Remove 6 screws (A) to remove the top cover.
3. Remove 4 screws (B) to remove the fan cover.
Disconnect the fan cable from main body.
4. Remove 6 screws (C) to remove the bottom cover.

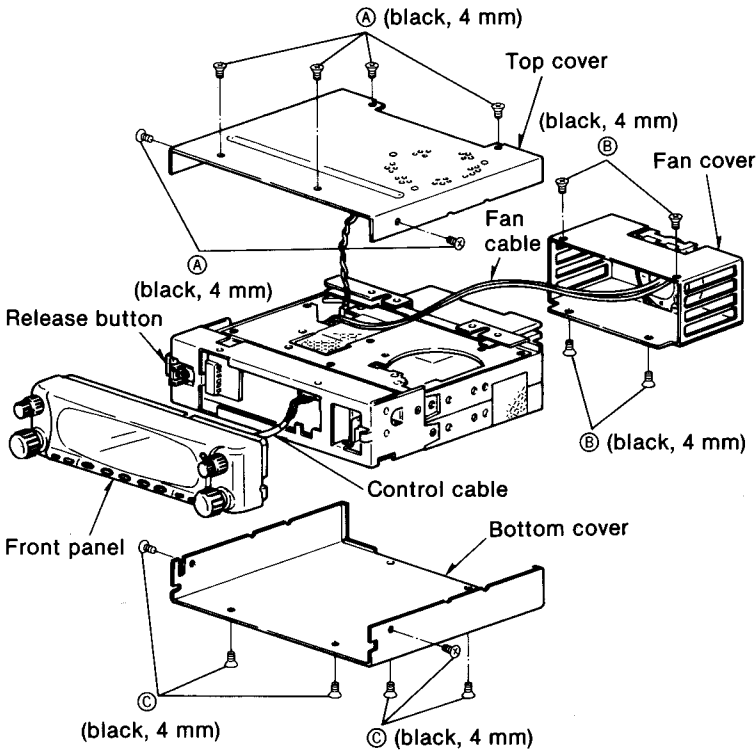


Fig. 2 Removing the sub chassis/shield plate

1. Remove 4 screws (D) to remove the sub chassis.
2. Remove 8 screws (E) to remove the shield plate.

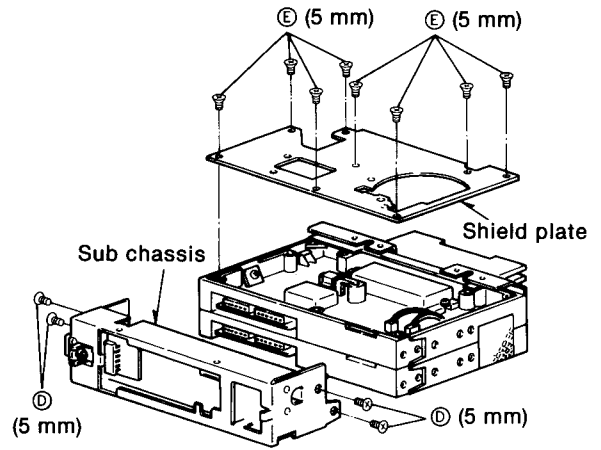


Fig. 3 Removing the MAIN-A chassis

1. Remove 2 screws (F) to remove the terminal plate.
2. Unsolder a point (G) and disconnect the connectors (J3, J4).
Remove 2 screws (H) to separate MAIN-A and MAIN-B chassis.

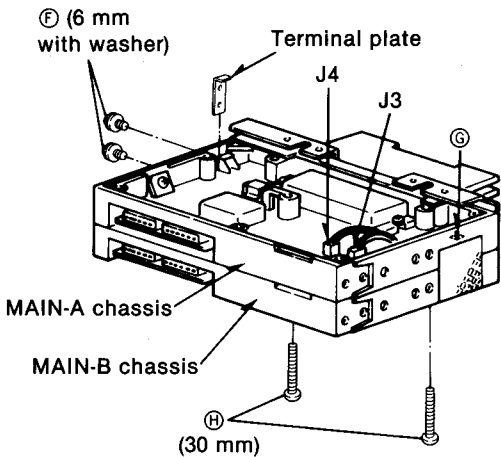
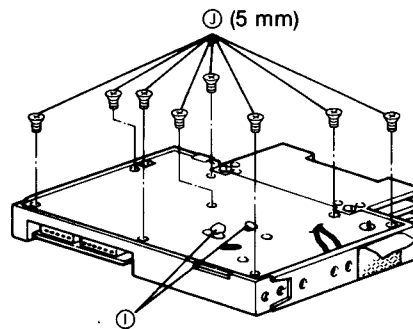


Fig. 4 Removing the shield plate

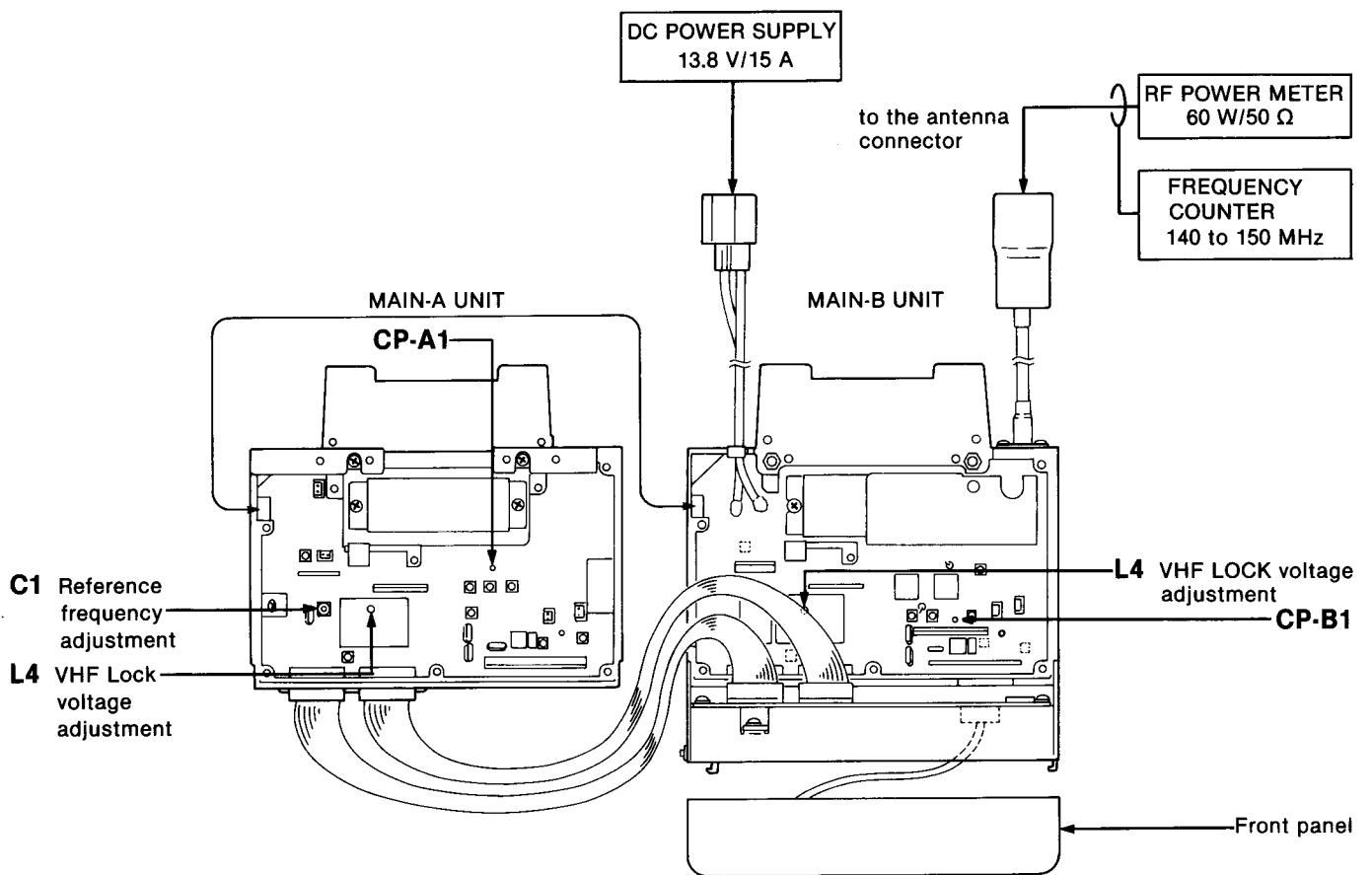
1. Unsolder 2 points (I) and remove 8 screws (J) to remove the shield plate.



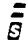
SECTION 4 ADJUSTMENT PROCEDURES

4-1 PLL ADJUSTMENT

ADJUSTMENT		ADJUSTMENT CONDITIONS	MEASUREMENT		VALUE	ADJUSTMENT POINT	
			UNIT	LOCATION		UNIT	ADJUST
LOCK VOLTAGE	1	<ul style="list-style-type: none"> VHF display: 145.000 MHz Receiving 	MAIN-A	Connect the DC voltmeter to CP-A1. (50 k Ω /DC)	11 V	MAIN-A (VCO-A)	L4
	2	<ul style="list-style-type: none"> UHF display: 145.000 MHz 	MAIN-B	Connect the DC voltmeter to CP-B1.	11 V	MAIN-B (VCO-B)	L4
REFERENCE FREQUENCY	1	<ul style="list-style-type: none"> VHF display: 145.000 MHz Transmitting 	Rear panel	Loosely couple the frequency counter to the antenna connector.	145.000 MHz	MAIN-A	C1



4-2 RECEIVER ADJUSTMENT

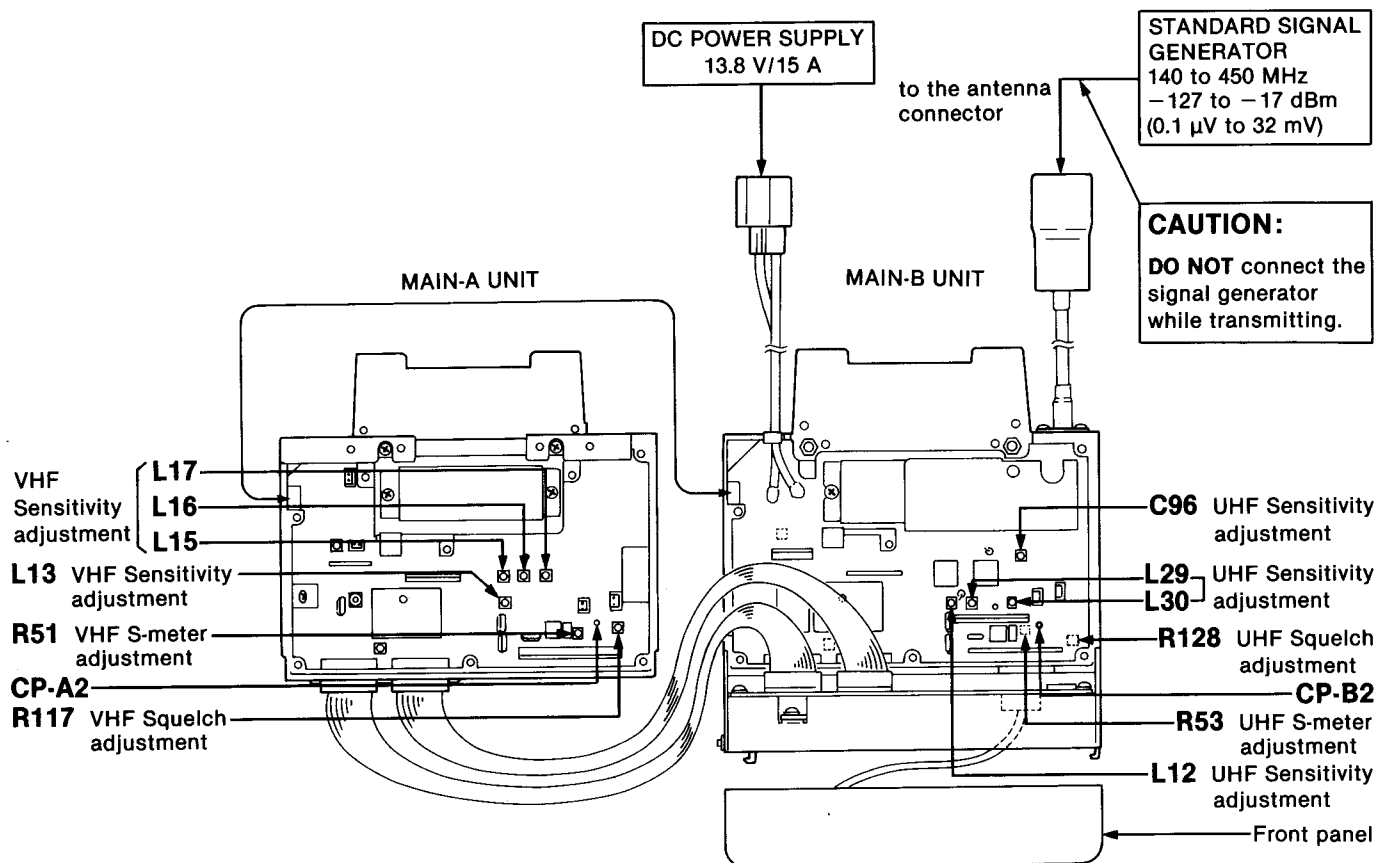
ADJUSTMENT	ADJUSTMENT CONDITIONS	MEASUREMENT		VALUE	ADJUSTMENT POINT		
		UNIT	LOCATION		UNIT	ADJUST	
VHF SENSITIVITY	1	<ul style="list-style-type: none"> VHF display: 145.000 MHz (EUR, KOR) 146.000 MHz (Other versions) Connect the SSG to the antenna connector and set as: Level : 1.0 μV* (-107 dBm) Modulation: 1 kHz Deviation : \pm3.5 kHz Receiving 	MAIN-A	Connect the DC voltmeter to CP-A2.	Maximum DC voltage	MAIN-A	Adjust in sequence. L17, L16, L15
	2	<ul style="list-style-type: none"> Set the SSG as: Deviation : \pm7.0 kHz 	MAIN-A		Maximum DC voltage	MAIN-A	
	NOTE: Adjust the standard signal generator output level so that the DC voltmeter needle remains at all times in the lowest 30% of the full range.						
VHF S-METER	1	<ul style="list-style-type: none"> VHF display: 145.000 MHz (EUR, KOR) 146.000 MHz (Other versions) Connect the SSG to the antenna connector and set as: Level : 1.0 μV* (-107 dBm) Modulation: 1 kHz Deviation : \pm3.5 kHz Receiving 	Function display	S/RF indicator in VHF display	S3 (4 dots) ■■■■	MAIN-A	R51
VHF SQUELCH	1	<ul style="list-style-type: none"> VHF display: 145.000 MHz (EUR, KOR) 146.000 MHz (Other versions) Connect the SSG to the antenna connector and set as: Level : 0.11 μV* (-126 dBm) Modulation: 1 kHz Deviation : \pm3.5 kHz R117 (MAIN-A): Max. CW Receiving 	Function display	Squelch level indicator in VHF display	Initial level Turn [SQL] control clockwise 2 clicks from 3 dots appears. 	Front panel	Control for VHF
	2		Top cover	Speaker	Squelch just opens	MAIN-A	R117
UHF SENSITIVITY	1	<ul style="list-style-type: none"> UHF display: 445.000 MHz (USA) 435.000 MHz (Other versions) Connect the SSG to the antenna connector and set as: Level : 1.0 μV* (-107 dBm) Modulation: 1 kHz Deviation : \pm3.5 kHz Receiving 	MAIN-B	Connect the DC voltmeter to CP-B2.	Maximum DC voltage	MAIN-B	C96
	2				Maximum DC voltage	MAIN-B	L12
	3	<ul style="list-style-type: none"> UHF display: 145.000 MHz (EUR, KOR) 146.000 MHz (Other versions) Connect the SSG to the antenna connector and set as: Level : 1.0 μV* (-107 dBm) Modulation: 1 kHz Deviation : \pm3.5 kHz 	MAIN-B	Connect the DC voltmeter to CP-B2.	Maximum DC voltage	MAIN-B	Adjust in sequence. L30, L29
NOTE: Adjust the standard signal generator output level so that the DC voltmeter needle remains at all times in the lowest 30% of the full range.							

*This output level of the standard signal generator (SSG) is indicated as SSG's open circuit.

RECEIVER ADJUSTMENT (CONTINUED)

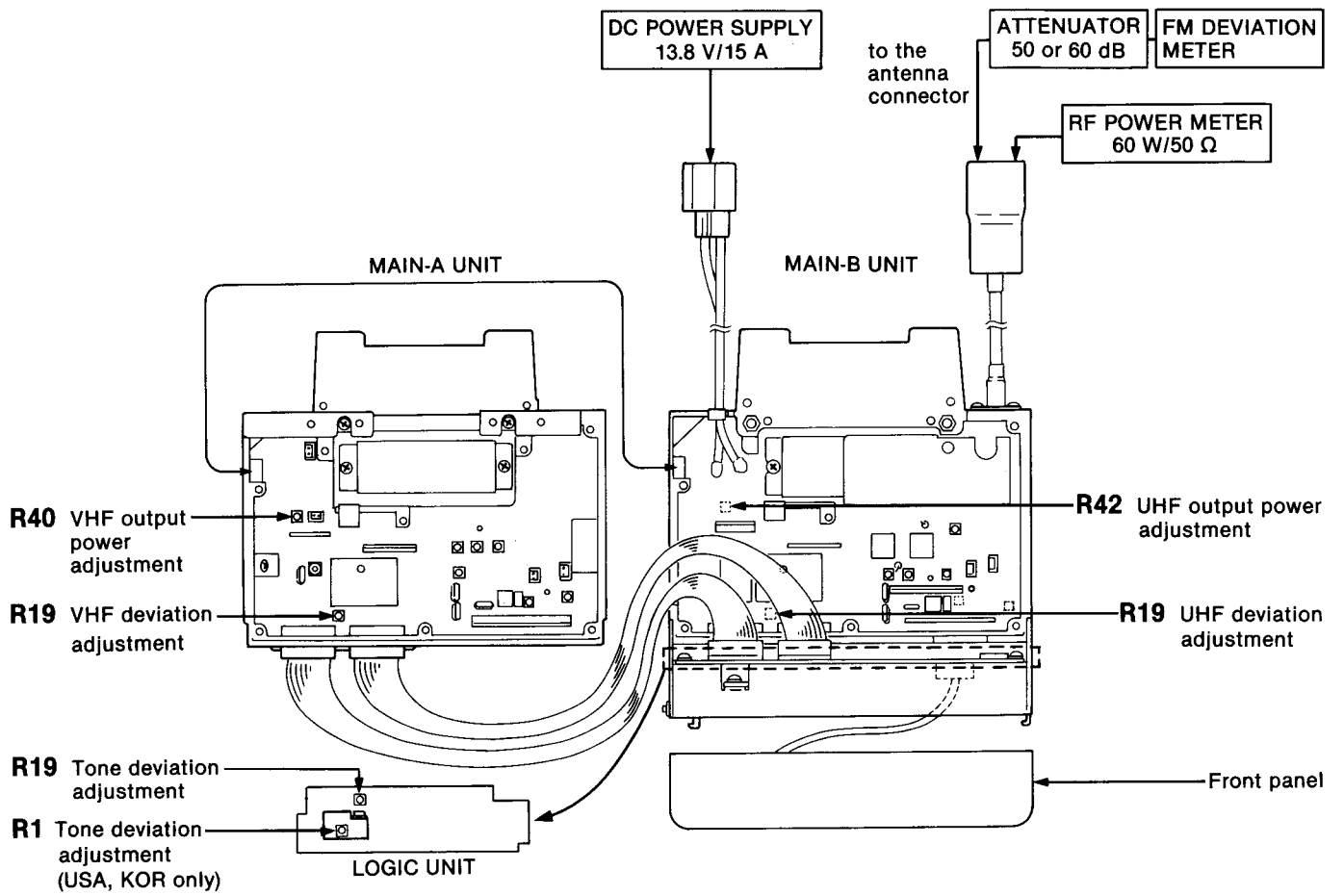
ADJUSTMENT	ADJUSTMENT CONDITIONS	MEASUREMENT		VALUE	ADJUSTMENT POINT	
		UNIT	LOCATION		UNIT	ADJUST
UHF S-METER	1 <ul style="list-style-type: none"> • UHF display: 445.000 MHz (USA) 435.000 MHz (Other versions) • Connect the SSG to the antenna connector and set as: Level : 1.0 μV* (-107 dBm) Modulation: 1 kHz Deviation \pm3.5 kHz • Receiving 	Function display	S/R indicator in VHF display	S3 (4 dots) ■■■■	MAIN-B	R53
UHF SQUELCH	1 <ul style="list-style-type: none"> • UHF display: 445.000 MHz (USA) 435.000 MHz (Other versions) • Connect the SSG to the antenna connector and set as: Level : 0.11 μV* (-126 dBm) Modulation: 1 kHz Deviation \pm3.5 kHz • R128 (MAIN-B): Max. CW • Receiving 	Function display	Squelch level indication in VHF display.	Initial level Turn [SQL] control clockwise 2 clicks from 3 dots appears.	Front panel	Control for UHF
		2	Top cover	Speaker	Squelch just opens.	MAIN-B

*This output level of the standard signal generator (SSG) is indicated as SSG's open circuit.



4-3 TRANSMITTER ADJUSTMENT

ADJUSTMENT	ADJUSTMENT CONDITIONS	MEASUREMENT		VALUE	ADJUSTMENT POINT	
		UNIT	LOCATION		UNIT	ADJUST
VHF OUTPUT POWER	1 <ul style="list-style-type: none"> VHF display: 145.000 MHz (EUR, KOR) 146.000 MHz (Other versions) Output power: HIGH Transmitting 	Rear panel	Connect to the RF power meter to the antenna connector.	50 W	MAIN-A	R40
VHF DEVIATION	1 <ul style="list-style-type: none"> VHF display: 145.000 MHz (EUR, KOR) 146.000 MHz (Other versions) Connect the audio generator to the microphone connector and set as: 65 mVrms/1.0 kHz (USA) 20 mVrms/1.0 kHz (Other versions) Set the FM deviation meter as: HPF : 50 Hz LPF : 20 kHz De-emphasis: OFF Detector : (P-P)/2 Transmitting 	Rear panel	Connect the FM deviation meter to the antenna connector via the attenuator.	±4.8 kHz	MAIN-A	R19
UHF OUTPUT POWER	1 <ul style="list-style-type: none"> UHF display: 445.000 MHz (USA) 435.000 MHz (Other versions) Output power: HIGH Transmitting 	Rear panel	Connect to the RF power meter to the antenna connector.	35 W	MAIN-B	R42
UHF DEVIATION	1 <ul style="list-style-type: none"> UHF display: 445.000 MHz (USA) 435.000 MHz (Other versions) Connect the audio generator to the microphone connector and set as: 65 mVrms/1.0 kHz (USA) 20 mVrms/1.0 kHz (Other versions) Set the FM deviation meter as: HPF : 50 Hz LPF : 20 kHz De-emphasis: OFF Detector : (P-P)/2 Transmitting 	Rear panel	Connect the FM deviation meter to the antenna connector via the attenuator.	±4.8 kHz	MAIN-B	R19
TONE DEVIATION	1 <ul style="list-style-type: none"> UHF display: 445.000 MHz (USA) 435.000 MHz (Other versions) Set the FM deviation meter as: HPF : OFF LPF : 20 kHz De-emphasis: OFF Detector : (P-P)/2 TONE: ON Transmitting 	Rear panel	Connect the FM deviation meter to the antenna connector via the attenuator.	±0.8 kHz	TONE	R1 (USA, KOR)
					LOGIC	R19 (Other versions)



SECTION 5 PARTS LIST

[CONTROL UNIT]

REF. NO.	ORDER NO.	DESCRIPTION	
IC1	1130004190	S.IC	LC7582A
IC2	1130004190	S.IC	LC7582A
IC3	1130002370	S.IC	μPD4028BG-T1
IC4	1130005810	S.IC	BU4094BF-T1
IC5	1180000970	S.IC	AN78L05M-(E1)
IC6	1180000990	S.IC	AN78L08M-(E1)
IC7	1130004670	S.IC	BU4021BF-T1
IC8	1130004670	S.IC	BU4021BF-T1
IC9	1130004670	S.IC	BU4021BF-T1
IC10	1130007110	S.IC	TC7W04FU(TE12L)
IC11	1130007110	S.IC	TC7W04FU(TE12L)
IC12	1110002780	S.IC	MC3371DR
IC14	1110002860	S.IC	TA75S393F (TE85R)
IC15	1130003760	S.IC	TC4S81F (TE85R)
IC16	1130004170	S.IC	TC4S01F (TE85R)
IC17	1130003920	S.IC	TC4S69F (TE85R)
IC18	1110002410	S.IC	NJM2406F(TE1)
IC19	1130007370	S.IC	TA75S558F(TE85L)
IC20	1110002750	S.IC	TA75S01F (TE85R)
IC21	1110002750	S.IC	TA75S01F (TE85R)
Q4	1520000270	S.TRANSISTOR	2SB1182 TL Q
Q5	1530002840	S.TRANSISTOR	2SC4116-Y (TE85R)
Q8	1560000490	S.FET	2SK508 K52 T2B
Q9	1530002380	S.TRANSISTOR	2SC4215-Y (TE85R)
Q10	1560000490	S.FET	2SK508 K52 T2B
Q11	1530002840	S.TRANSISTOR	2SC4116-Y (TE85R)
Q12	1510000770	S.TRANSISTOR	2SA1586-GR (TE85R)
Q13	1530002840	S.TRANSISTOR	2SC4116-Y (TE85R)
Q14	1530002840	S.TRANSISTOR	2SC4116-Y (TE85R)
Q15	1590001390	S.FET	2SJ144-Y (TE85R)
Q16	1530002690	S.TRANSISTOR	2SC4116-GR (TE85R)
D1	1790001200	S.DIODE	MA6S121(TX)
D2	1750000290	S.DIODE	1SS300 (TE85R)
D3	1790001200	S.DIODE	MA6S121(TX)
D4	1750000290	S.DIODE	1SS300 (TE85R)
D5	1750000290	S.DIODE	1SS300 (TE85R)
D6	1750000290	S.DIODE	1SS300 (TE85R)
D7	1750000290	S.DIODE	1SS300 (TE85R)
D12	1790001000	S.ZENER	MA8062-L(TX)
D13	1790000980	S.DIODE	MA742(TX)
D14	1750000260	S.DIODE	1SS352 (TPH3)
F11	2020000580	CERAMIC	CFUM455B
F12	2020000990	CERAMIC	CFYM455C
X1	6070000100	DISCRI	CDBM455C18
L2	6200002090	S.COIL	ELJFB 681K-F
R1	7030003650	S.RESISTOR	ERJ3GEYJ 563 V (56 kΩ)
R2	7030003650	S.RESISTOR	ERJ3GEYJ 563 V (56 kΩ)
R9	7030000020	S.RESISTOR	MCR10EZJH 1 Ω (010)
R10	7030000020	S.RESISTOR	MCR10EZJH 1 Ω (010)
R11	7030000020	S.RESISTOR	MCR10EZJH 1 Ω (010)
R12	7030000020	S.RESISTOR	MCR10EZJH 1 Ω (010)
R13	7030001170	S.RESISTOR	MCR50JZHJ 220 Ω (221)
R14	7030003490	S.RESISTOR	ERJ3GEYJ 272 V (2.7 kΩ)
R15	7030003450	S.RESISTOR	ERJ3GEYJ 122 V (1.2 kΩ)
R16	7030003680	S.RESISTOR	ERJ3GEYJ 104 V (100 kΩ)
R17	7030003650	S.RESISTOR	ERJ3GEYJ 563 V (56 kΩ)
R18	7030003600	S.RESISTOR	ERJ3GEYJ 223 V (22 kΩ)
R19	7030003640	S.RESISTOR	ERJ3GEYJ 473 V (47 kΩ)

[CONTROL UNIT]

REF. NO.	ORDER NO.	DESCRIPTION	
R20	7030003640	S.RESISTOR	ERJ3GEYJ 473 V (47 kΩ)
R21	7030003640	S.RESISTOR	ERJ3GEYJ 473 V (47 kΩ)
R22	7030003640	S.RESISTOR	ERJ3GEYJ 473 V (47 kΩ)
R23	7030003640	S.RESISTOR	ERJ3GEYJ 473 V (47 kΩ)
R24	7030003640	S.RESISTOR	ERJ3GEYJ 473 V (47 kΩ)
R25	7030003640	S.RESISTOR	ERJ3GEYJ 473 V (47 kΩ)
R26	7030003640	S.RESISTOR	ERJ3GEYJ 473 V (47 kΩ)
R27	7030003640	S.RESISTOR	ERJ3GEYJ 473 V (47 kΩ)
R28	7030003640	S.RESISTOR	ERJ3GEYJ 473 V (47 kΩ)
R29	7030003640	S.RESISTOR	ERJ3GEYJ 473 V (47 kΩ)
R30	7030003640	S.RESISTOR	ERJ3GEYJ 473 V (47 kΩ)
R31	7030003640	S.RESISTOR	ERJ3GEYJ 473 V (47 kΩ)
R32	7030003640	S.RESISTOR	ERJ3GEYJ 223 V (22 kΩ)
R33	7030003640	S.RESISTOR	ERJ3GEYJ 473 V (47 kΩ)
R34	7030003640	S.RESISTOR	ERJ3GEYJ 473 V (47 kΩ)
R36	7030003440	S.RESISTOR	ERJ3GEYJ 102 V (1 kΩ)
R37	7030003600	S.RESISTOR	ERJ3GEYJ 223 V (22 kΩ)
R38	7030003440	S.RESISTOR	ERJ3GEYJ 102 V (1 kΩ)
R39	7030003600	S.RESISTOR	ERJ3GEYJ 223 V (22 kΩ)
R40	7030003640	S.RESISTOR	ERJ3GEYJ 225 V (2.2 MΩ)
R41	7030003360	S.RESISTOR	ERJ3GEYJ 221 V (220 Ω)
R43	7030003320	S.RESISTOR	ERJ3GEYJ 101 V (100 Ω)
R44	7030003370	S.RESISTOR	ERJ3GEYJ 271 V (270 Ω)
R45	7030003420	S.RESISTOR	ERJ3GEYJ 681 V (680 Ω)
R46	7030003560	S.RESISTOR	ERJ3GEYJ 103 V (10 kΩ)
R47	7030003360	S.RESISTOR	ERJ3GEYJ 221 V (220 Ω)
R48	7030003360	S.RESISTOR	ERJ3GEYJ 221 V (220 Ω)
R49	7030003800	S.RESISTOR	ERJ3GEYJ 105 V (1 MΩ)
R50	7030003280	S.RESISTOR	ERJ3GEYJ 470 V (47 Ω)
R51	7030003560	S.RESISTOR	ERJ3GEYJ 103 V (10 kΩ)
R52	7030003440	S.RESISTOR	ERJ3GEYJ 102 V (1 kΩ)
R53	7030003440	S.RESISTOR	ERJ3GEYJ 102 V (1 kΩ)
R54	7030003460	S.RESISTOR	ERJ3GEYJ 152 V (1.5 kΩ)
R55	7030003460	S.RESISTOR	ERJ3GEYJ 152 V (1.5 kΩ)
R56	7030003320	S.RESISTOR	ERJ3GEYJ 101 V (100 Ω)
R57	7030003560	S.RESISTOR	ERJ3GEYJ 103 V (10 kΩ)
R58	7030003530	S.RESISTOR	ERJ3GEYJ 562 V (5.6 kΩ)
R60	7310003580	S.TRIMMER	EVM-1XSX50 B15 (104)
R61	7030003760	S.RESISTOR	ERJ3GEYJ 474 V (470 kΩ)
R62	7310003670	S.TRIMMER	EVM-1XSX50 BE2 (221)
R63	7030003480	S.RESISTOR	ERJ3GEYJ 222 V (2.2 kΩ)
R64	7030003400	S.RESISTOR	ERJ3GEYJ 471 V (470 Ω)
R65	7030003760	S.RESISTOR	ERJ3GEYJ 474 V (470 kΩ)
R66	7030003560	S.RESISTOR	ERJ3GEYJ 103 V (10 kΩ)
R67	7030003560	S.RESISTOR	ERJ3GEYJ 103 V (10 kΩ)
R68	7030003680	S.RESISTOR	ERJ3GEYJ 104 V (100 kΩ)
R69	7310003600	S.TRIMMER	EVM-1XSX50 B54 (503)
R70	7030003690	S.RESISTOR	ERJ3GEYJ 124 V (120 kΩ)
R75	7030003560	S.RESISTOR	ERJ3GEYJ 103 V (10 kΩ)
R76	7030003500	S.RESISTOR	ERJ3GEYJ 332 V (3.3 kΩ)
R77	7030003520	S.RESISTOR	ERJ3GEYJ 472 V (4.7 kΩ)
R78	7030003560	S.RESISTOR	ERJ3GEYJ 103 V (10 kΩ)
R79	7030003570	S.RESISTOR	ERJ3GEYJ 123 V (12 kΩ)
R80	7030003680	S.RESISTOR	ERJ3GEYJ 104 V (100 kΩ)
R81	7030003560	S.RESISTOR	ERJ3GEYJ 103 V (10 kΩ)
R82	7030003620	S.RESISTOR	ERJ3GEYJ 333 V (33 kΩ)
R88	7030003640	S.RESISTOR	ERJ3GEYJ 225 V (2.2 MΩ)
R89	7030003600	S.RESISTOR	ERJ3GEYJ 223 V (22 kΩ)
R90	7030003560	S.RESISTOR	ERJ3GEYJ 103 V (10 kΩ)
R91	7030003320	S.RESISTOR	ERJ3GEYJ 101 V (100 Ω)
R92	7030003680	S.RESISTOR	ERJ3GEYJ 104 V (100 kΩ)
R93	7030003690	S.RESISTOR	ERJ3GEYJ 124 V (120 kΩ)
R94	7030003680	S.RESISTOR	ERJ3GEYJ 104 V (100 kΩ)
R95	7030003770	S.RESISTOR	ERJ3GEYJ 564 V (560 kΩ)
R96	7030003800	S.RESISTOR	ERJ3GEYJ 105 V (1 MΩ)
R97	7030003840	S.RESISTOR	ERJ3GEYJ 225 V (2.2 MΩ)
R98	7030003800	S.RESISTOR	ERJ3GEYJ 105 V (1 MΩ)
R99	7030003680	S.RESISTOR	ERJ3GEYJ 104 V (100 kΩ)
R100	7030003560	S.RESISTOR	ERJ3GEYJ 103 V (10 kΩ)
R101	7030003560	S.RESISTOR	ERJ3GEYJ 103 V (10 kΩ)

S.=Surface mount

[CONTROL UNIT]

REF. NO.	ORDER NO.	DESCRIPTION	
R102	7030003690	S.RESISTOR	ERJ3GEYJ 124 V (120 kΩ)
R103	7030003690	S.RESISTOR	ERJ3GEYJ 124 V (120 kΩ)
R104	7030003690	S.RESISTOR	ERJ3GEYJ 124 V (120 kΩ)
R105	7030003320	S.RESISTOR	ERJ3GEYJ 101 V (100 Ω)
R106	7030003680	S.RESISTOR	ERJ3GEYJ 104 V (100 kΩ)
R108	7030003440	S.RESISTOR	ERJ3GEYJ 102 V (1 kΩ)
R109	7030003360	S.RESISTOR	ERJ3GEYJ 221 V (220 Ω)
R110	7030003440	S.RESISTOR	ERJ3GEYJ 102 V (1 kΩ)
R111	7030003440	S.RESISTOR	ERJ3GEYJ 102 V (1 kΩ)
R112	7030003470	S.RESISTOR	ERJ3GEYJ 182 V (1.8 kΩ)
R113	7030003560	S.RESISTOR	ERJ3GEYJ 103 V (10 kΩ)
R114	7030003520	S.RESISTOR	ERJ3GEYJ 472 V (4.7 kΩ)
R115	7030003520	S.RESISTOR	ERJ3GEYJ 472 V (4.7 kΩ)
R116	7030003470	S.RESISTOR	ERJ3GEYJ 182 V (1.8 kΩ)
R117	7030003520	S.RESISTOR	ERJ3GEYJ 472 V (4.7 kΩ)
R118	7030003520	S.RESISTOR	ERJ3GEYJ 472 V (4.7 kΩ)
R119	7030003520	S.RESISTOR	ERJ3GEYJ 472 V (4.7 kΩ)
R120	7030003520	S.RESISTOR	ERJ3GEYJ 472 V (4.7 kΩ)
R121	7030003520	S.RESISTOR	ERJ3GEYJ 472 V (4.7 kΩ)
C1	4030006830	S.CERAMIC	C1608 SL 1H 331J-T-A
C2	4030006830	S.CERAMIC	C1608 SL 1H 331J-T-A
C5	4030006860	S.CERAMIC	C1608 JB 1H 102K-T-A
C6	4030006830	S.CERAMIC	C1608 JF 1C 104Z-T-A
C7	4030006860	S.CERAMIC	C1608 JB 1H 102K-T-A
C8	4030006860	S.CERAMIC	C1608 JB 1H 102K-T-A
C9	4510005600	S.ELECTROLITIC	ECEV1CS100SR
C10	4510005600	S.ELECTROLITIC	ECEV1CS100SR
C11	4510005600	S.ELECTROLITIC	ECEV1CS100SR
C12	4510005600	S.ELECTROLITIC	ECEV1CS100SR
C13	4030006830	S.CERAMIC	C1608 JF 1C 104Z-T-A
C14	4030006890	S.CERAMIC	C1608 JF 1H 103Z-T-A
C15	4030006830	S.CERAMIC	C1608 JF 1C 104Z-T-A
C16	4030006890	S.CERAMIC	C1608 JF 1H 103Z-T-A
C18	4030006830	S.CERAMIC	C1608 JF 1C 104Z-T-A
C19	4030006890	S.CERAMIC	C1608 JF 1H 103Z-T-A
C20	4030006890	S.CERAMIC	C1608 JF 1H 103Z-T-A
C21	4030006780	S.CERAMIC	C1608 SL 1H 181J-T-A
C22	4030006890	S.CERAMIC	C1608 JF 1H 103Z-T-A
C23	4030006830	S.CERAMIC	C1608 JF 1C 104Z-T-A
C24	4030006860	S.CERAMIC	C1608 JB 1H 102K-T-A
C25	4030006860	S.CERAMIC	C1608 JB 1H 102K-T-A
C26	4030006830	S.CERAMIC	C1608 JF 1C 104Z-T-A
C27	4030006890	S.CERAMIC	C1608 JF 1H 103Z-T-A
C28	4510005600	S.ELECTROLITIC	ECEV1CS100SR
C29	4030006830	S.CERAMIC	C1608 JF 1C 104Z-T-A
C30	4030006830	S.CERAMIC	C1608 JF 1C 104Z-T-A
C31	4030006830	S.CERAMIC	C1608 JF 1C 104Z-T-A
C32	4030006890	S.CERAMIC	C1608 SL 1H 330J-T-A
C33	4030006860	S.CERAMIC	C1608 JB 1H 102K-T-A
C34	4030006860	S.CERAMIC	C1608 JB 1H 102K-T-A
C35	4030006870	S.CERAMIC	C1608 JB 1H 222K-T-A
C36	4030006850	S.CERAMIC	C1608 JB 1H 471K-T-A
C37	4030006850	S.CERAMIC	C1608 JB 1H 471K-T-A
C38	4030005090	S.CERAMIC	C2012 JB 1H 223K-T-A
C39	4030006830	S.CERAMIC	C1608 JF 1C 104Z-T-A
C40	4030006860	S.CERAMIC	C1608 JB 1H 102K-T-A
C41	4030006850	S.CERAMIC	C1608 JB 1H 471K-T-A
C42	4030006850	S.CERAMIC	C1608 JB 1H 471K-T-A
C43	4030006850	S.CERAMIC	C1608 JB 1H 471K-T-A
C44	4030006860	S.CERAMIC	C1608 SL 1H 220J-T-A
C45	4030006860	S.CERAMIC	C1608 SL 1H 220J-T-A
C46	4030006850	S.CERAMIC	C1608 JB 1H 471K-T-A
C47	4030006710	S.CERAMIC	C1608 SL 1H 470J-T-A
C48	4030006710	S.CERAMIC	C1608 SL 1H 470J-T-A
C49	4030006860	S.CERAMIC	C1608 SL 1H 220J-T-A
C50	4030006900	S.CERAMIC	C1608 JB 1E 103K-T-A
C51	4030006860	S.CERAMIC	C1608 JB 1H 102K-T-A
C52	4030006860	S.CERAMIC	C1608 JB 1H 102K-T-A
C53	4030006860	S.CERAMIC	C1608 JB 1H 102K-T-A
C54	4030006830	S.CERAMIC	C1608 JF 1C 104Z-T-A
C55	4030006860	S.CERAMIC	C2012 JF 1C 105Z-T-A
C56	4030006860	S.CERAMIC	C1608 JB 1H 102K-T-A
C57	4030007150	S.CERAMIC	C1608 CH 1H 151J-T-A
C58	4030006760	S.CERAMIC	C1608 SL 1H 121J-T-A

[CONTROL UNIT]

REF. NO.	ORDER NO.	DESCRIPTION	
C59	4030006860	S.CERAMIC	C1608 JB 1H 102K-T-A
C60	4030006850	S.CERAMIC	C1608 JB 1H 471K-T-A
C61	4030006890	S.CERAMIC	C1608 JF 1H 103Z-T-A
C62	4030006720	S.CERAMIC	C1608 SL 1H 580J-T-A
C63	4030006830	S.CERAMIC	C1608 SL 1H 331J-T-A
C64	4030006800	S.CERAMIC	C1608 SL 1H 221J-T-A
C65	4030006890	S.CERAMIC	C1608 JF 1H 103Z-T-A
C66	4030008760	S.CERAMIC	C2012 X7R 1C 104K-T-A
C67	4030006860	S.CERAMIC	C1608 JB 1H 102K-T-A
C68	4030008710	S.CERAMIC	C1608 SL 1H 470J-T-A
C69	4030006610	S.CERAMIC	C1608 SL 1H 100D-T-A
C70	4030006860	S.CERAMIC	C1608 JB 1H 102K-T-A
C71	4030006880	S.CERAMIC	C1608 JB 1H 102K-T-A
C72	4030006860	S.CERAMIC	C1608 JB 1H 102K-T-A
C73	4030006860	S.CERAMIC	C1608 JB 1H 102K-T-A
C74	4030006860	S.CERAMIC	C1608 JB 1H 102K-T-A
C75	4030006710	S.CERAMIC	C1608 SL 1H 470J-T-A
C76	4030006710	S.CERAMIC	C1608 SL 1H 470J-T-A
C77	4030006710	S.CERAMIC	C1608 SL 1H 470J-T-A
C78	4030006710	S.CERAMIC	C1608 SL 1H 470J-T-A
C79	4030006860	S.CERAMIC	C1608 JB 1H 102K-T-A
C80	4030006710	S.CERAMIC	C1608 SL 1H 470J-T-A
C81	4030006710	S.CERAMIC	C1608 SL 1H 470J-T-A
C82	4030006710	S.CERAMIC	C1608 SL 1H 470J-T-A
C83	4030006710	S.CERAMIC	C1608 SL 1H 470J-T-A
C84	4030006850	S.CERAMIC	C1608 JB 1H 471K-T-A
C85	4030006850	S.CERAMIC	C1608 JB 1H 471K-T-A
C86	4030006710	S.CERAMIC	C1608 SL 1H 470J-T-A
C87	4030006710	S.CERAMIC	C1608 SL 1H 470J-T-A
C88	4030006850	S.CERAMIC	C1608 JB 1H 471K-T-A
C89	4030006710	S.CERAMIC	C1608 SL 1H 470J-T-A
C90	4030006710	S.CERAMIC	C1608 SL 1H 470J-T-A
C91	4030006710	S.CERAMIC	C1608 SL 1H 470J-T-A
C92	4030006850	S.CERAMIC	C1608 JB 1H 471K-T-A
C93	4030006850	S.CERAMIC	C1608 JB 1H 471K-T-A
C94	4030006710	S.CERAMIC	C1608 SL 1H 470J-T-A
C95	4030006710	S.CERAMIC	C1608 SL 1H 470J-T-A
C96	4030006850	S.CERAMIC	C1608 JB 1H 471K-T-A
C97	4030006710	S.CERAMIC	C1608 SL 1H 470J-T-A
C98	4030006710	S.CERAMIC	C1608 SL 1H 470J-T-A
C99	4030006860	S.CERAMIC	C1608 JB 1H 102K-T-A
C100	4030006860	S.CERAMIC	C1608 JB 1H 102K-T-A
C101	4510005600	S.ELECTROLITIC	ECEV1CS100SR
C102	4510005600	S.ELECTROLITIC	ECEV1CS100SR
C103	4030006860	S.CERAMIC	C1608 JB 1H 102K-T-A
C104	4030006860	S.CERAMIC	C1608 JB 1H 102K-T-A
C105	4030006860	S.CERAMIC	C1608 JB 1H 102K-T-A
C107	4030006900	S.CERAMIC	C1608 JB 1E 103K-T-A
C108	4030006830	S.CERAMIC	C1608 JF 1C 104Z-T-A
C109	4030006890	S.CERAMIC	C1608 JF 1H 103Z-T-A
C110	4030006830	S.CERAMIC	C1608 JF 1C 104Z-T-A
C111	4030006830	S.CERAMIC	C1608 JF 1C 104Z-T-A
C112	4030006850	S.CERAMIC	C1608 JB 1H 471K-T-A
C113	4030006710	S.CERAMIC	C1608 SL 1H 470J-T-A
C114	4030006860	S.CERAMIC	C1608 JB 1H 102K-T-A
C115	4030006860	S.CERAMIC	C1608 JB 1H 102K-T-A
C116	4030006860	S.CERAMIC	C1608 JB 1H 102K-T-A
C117	4030006860	S.CERAMIC	C1608 JB 1H 102K-T-A
C118	4030006860	S.CERAMIC	C1608 JB 1H 102K-T-A
C119	4030006860	S.CERAMIC	C1608 JB 1H 102K-T-A
C120	4030006710	S.CERAMIC	C1608 SL 1H 470J-T-A
C121	4030006710	S.CERAMIC	C1608 SL 1H 470J-T-A
C122	4030006860	S.CERAMIC	C1608 SL 1H 220J-T-A
C123	4030006860	S.CERAMIC	C1608 SL 1H 220J-T-A
C124	4030006860	S.CERAMIC	C1608 SL 1H 220J-T-A
DS1	5030001070	LCD	LD-BU5695E (E-5881-1)
DS2	5080000330	LAMP	HRS-7219A-RE
DS3	5080000330	LAMP	HRS-7219A-RE
DS4	5080000330	LAMP	HRS-7219A-RE
DS5	5080000330	LAMP	HRS-7219A-RE
W1	7030003860	S.JUMPER	ERJ3GE JPW V
W2	7030003860	S.JUMPER	ERJ3GE JPW V

S.=Surface mount

[CONTROL UNIT]

REF. NO.	ORDER NO.	DESCRIPTION	
W3	7030003860	S.JUMPER	ERJ3GE JPW V
W7	7030003860	S.JUMPER	ERJ3GE JPW V
W9	7030003860	S.JUMPER	ERJ3GE JPW V
J1	6510016600	S.CONNECTOR	53261-0890
J2	6510017310	CONNECTOR	S02B-EH
J3	6510016190	S.CONNECTOR	52465-1290
J4	6510016190	S.CONNECTOR	52465-1290
S1	2260001890	S.SWITCH	SKQDPA [V/MHz]
S2	2260001890	S.SWITCH	SKQDPA [M/CALL]
S3	2260001890	S.SWITCH	SKQDPA [V/MHz]
S4	2260001890	S.SWITCH	SKQDPA [M/CALL]
S5	2260001890	S.SWITCH	SKQDPA [SET]
S6	2260001890	S.SWITCH	SKQDPA [DUP]
S7	2260001890	S.SWITCH	SKQDPA [DTMF]
S8	2260001890	S.SWITCH	SKQDPA [LOW]
S9	2260001890	S.SWITCH	SKQDPA [MW]
S10	2260001890	S.SWITCH	SKQDPA [POWER]
EP1	0910039042	PCB	B 3799B
EP2	8930030631	LCD CONTACT	SRCN-1352-SC-L
EP3	8930030621	LCD CONTACT	SRCN-1352-SC-S

[SW-A BOARD]

REF. NO.	ORDER NO.	DESCRIPTION	
D1	1790001220	PHOTO	PP506-1
J1	6510016460	S.CONNECTOR	53309-1290
S1	2250000170	ENCODER	TP90D96AE20-17F (1352) [VOL/SQL]
S2	2250000160	ENCODER	TP90N00AE20-15F (1352) [MAIN]
EP1	0910039053	PCB	B 3800C

[SW-B BOARD]

REF. NO.	ORDER NO.	DESCRIPTION	
D1	1790001220	PHOTO	PP506-1
J1	6510016460	S.CONNECTOR	53309-1290
S1	2250000170	ENCODER	TP90D96AE20-17F (1352) [VOL/SQL]
S2	2250000160	ENCODER	TP90N00AE20-15F (1352) [MAIN]
EP1	0910039063	PCB	B 3801C

[LOGIC UNIT]

REF. NO.	ORDER NO.	DESCRIPTION	
IC1	1130004330	S.IC	LC7385M
IC2	1130006220	S.IC	TC4W53FU (TE12L)
IC3	1130004230	S.IC	LC7366NM
IC4	1130005810	S.IC	BU4094BF-T1
IC5	1130005810	S.IC	BU4094BF-T1
IC8	1110002410	S.IC	NJM2406F(TE1)
IC9	1130007430	S.IC	TC7S14FU(TE85R)
IC11	1140004560	S.IC	μPD78238GC-248-3B9
IC12	1130007290	S.IC	24LC16BT-I/SN
IC13	1140004270	S.IC	μPD7564AG-535
IC14	1110002750	S.IC	TA75S01F (TE85R)

[LOGIC UNIT]

REF. NO.	ORDER NO.	DESCRIPTION	
IC15	1180000970	S.IC	AN78L05M-(E1)
IC16	1110003500	S.IC	S-80742SL-A6-T1
IC17	1130007420	S.IC	TC7W14FU(TE12L)
IC19	1130007110	S.IC	TC7W04FU(TE12L)
IC20	1130007020	S.IC	TC7S66FU(TE85R)
IC21	1110002750	S.IC	TA75S01F (TE85R)
IC22	1130006220	S.IC	TC4W53FU (TE12L)
IC23	1130006550	S.IC	TC7S08FU (TE85R)
Q1	1590001390	S.FET	2SJ144-Y (TE85R)
Q2	1590001390	S.FET	2SJ144-Y (TE85R)
Q3	1590000430	S.TRANSISTOR	DTC144EU T107
Q4	1530002690	S.TRANSISTOR	2SC4116-GR (TE85R)
Q5	1530002690	S.TRANSISTOR	2SC4116-GR (TE85R)
Q6	1530002840	S.TRANSISTOR	2SC4116-Y (TE85R)
Q7	1590000430	S.TRANSISTOR	DTC144EU T107
Q8	1590001390	S.FET	2SJ144-Y (TE85R)
Q14	1540000250	S.TRANSISTOR	2SD999-T2 CK
Q15	1530002840	S.TRANSISTOR	2SC4116-Y (TE85R)
Q16	1530002840	S.TRANSISTOR	2SC4116-Y (TE85R)
Q17	1590000720	S.TRANSISTOR	DTA144EU T107
Q18	1590001600	S.TRANSISTOR	UMD3 TL
D1	1750000300	S.DIODE	1SS302 (TE85R)
D3	1750000260	S.DIODE	1SS352 (TPH3) (EUR, ITA, KOR, AUS, SEA)
D4	1750000260	S.DIODE	1SS352 (TPH3) (ITA, KOR)
D5	1750000260	S.DIODE	1SS352 (TPH3) (EUR)
D6	1750000260	S.DIODE	1SS352 (TPH3) (KOR, AUS, SEA)
D7	1750000260	S.DIODE	1SS352 (TPH3) (EUR, USA, SEA)
D8	1750000260	S.DIODE	1SS352 (TPH3) (ITA, USA, SEA)
D9	1750000260	S.DIODE	1SS352 (TPH3) (ITA, USA, SEA)
D11	1750000260	S.DIODE	1SS352 (TPH3) (USA, SEA)
D12	1750000260	S.DIODE	1SS352 (TPH3) (USA)
D13	1710000800	DIODE	1SS254 (EUR, AUS)
D14	1710000800	DIODE	1SS254 (EUR, ITA, KOR, AUS, SEA)
D16	1750000260	S.DIODE	1SS352 (TPH3) (EUR, USA, AUS, SEA)
D17	1750000260	S.DIODE	1SS352 (TPH3) (EUR, USA, AUS, SEA)
D18	1790001200	S.DIODE	MA6S121(TX)
D19	1790001200	S.DIODE	MA6S121(TX)
D20	1750000260	S.DIODE	1SS352 (TPH3)
D21	1750000290	S.DIODE	1SS300 (TE85R)
D22	1750000260	S.DIODE	1SS352 (TPH3)
D25	1730002280	S.ZENER	MA8091-M(TX)
D26	1750000260	S.DIODE	1SS352 (TPH3)
X1	6050006020	XTAL	CR-288
X2	6050008180	S.XTAL	CR-410 (9.8304MHz)
X3	6060000530	S.CERAMIC	CSB600J200T
R1	7030003680	S.RESISTOR	ERJ3GEYJ 104 V (100 kΩ)
R2	7030003680	S.RESISTOR	ERJ3GEYJ 104 V (100 kΩ)
R3	7030003800	S.RESISTOR	ERJ3GEYJ 105 V (1 MΩ)
R4	7030003740	S.RESISTOR	ERJ3GEYJ 334 V (330 kΩ)
R5	7030003680	S.RESISTOR	ERJ3GEYJ 104 V (100 kΩ)
R6	7030003680	S.RESISTOR	ERJ3GEYJ 104 V (100 kΩ)
R7	7030003680	S.RESISTOR	ERJ3GEYJ 104 V (100 kΩ)
R8	7030003680	S.RESISTOR	ERJ3GEYJ 104 V (100 kΩ)
R9	7030003760	S.RESISTOR	ERJ3GEYJ 474 V (470 kΩ)
R10	7030003560	S.RESISTOR	ERJ3GEYJ 103 V (10 kΩ)
R11	7030003800	S.RESISTOR	ERJ3GEYJ 105 V (1 MΩ)
R12	7030003760	S.RESISTOR	ERJ3GEYJ 474 V (470 kΩ)
R13	7030003760	S.RESISTOR	ERJ3GEYJ 474 V (470 kΩ)

S.=Surface mount

[LOGIC UNIT]

REF. NO.	ORDER NO.	DESCRIPTION	
R14	7030003760	S.RESISTOR	ERJ3GEYJ 474 V (470 kΩ)
R15	7030003760	S.RESISTOR	ERJ3GEYJ 474 V (470 kΩ)
R16	7030003760	S.RESISTOR	ERJ3GEYJ 474 V (470 kΩ)
R17	7030003320	S.RESISTOR	ERJ3GEYJ 101 V (100 Ω)
R18	7030003840	S.RESISTOR	ERJ3GEYJ 225 V (2.2 MΩ)
R19	7310003590	S.TRIMMER	EVM-1XSX50 B24 (203)
R20	7030003680	S.RESISTOR	ERJ3GEYJ 104 V (100 kΩ)
R21	7030003840	S.RESISTOR	ERJ3GEYJ 225 V (2.2 MΩ)
R22	7030003840	S.RESISTOR	ERJ3GEYJ 225 V (2.2 MΩ)
R23	7030003680	S.RESISTOR	ERJ3GEYJ 104 V (100 kΩ)
R24	7030003680	S.RESISTOR	ERJ3GEYJ 104 V (100 kΩ)
R25	7030003560	S.RESISTOR	ERJ3GEYJ 103 V (10 kΩ)
R26	7030003550	S.RESISTOR	ERJ3GEYJ 822 V (8.2 kΩ)
R27	7030003500	S.RESISTOR	ERJ3GEYJ 332 V (3.3 kΩ)
R28	7030003320	S.RESISTOR	ERJ3GEYJ 101 V (100 Ω)
R29	7030003720	S.RESISTOR	ERJ3GEYJ 224 V (220 kΩ)
R30	7030003660	S.RESISTOR	ERJ3GEYJ 683 V (68 kΩ)
R31	7030003520	S.RESISTOR	ERJ3GEYJ 472 V (4.7 kΩ)
R32	7030003440	S.RESISTOR	ERJ3GEYJ 102 V (1 kΩ)
R33	7030003680	S.RESISTOR	ERJ3GEYJ 104 V (100 kΩ)
R34	7030003620	S.RESISTOR	ERJ3GEYJ 333 V (33 kΩ)
R35	7030003680	S.RESISTOR	ERJ3GEYJ 104 V (100 kΩ)
R37	7030003320	S.RESISTOR	ERJ3GEYJ 101 V (100 Ω)
R38	7030003830	S.RESISTOR	ERJ3GEYJ 185 V (1.8 MΩ)
R39	7030003750	S.RESISTOR	ERJ3GEYJ 394 V (390 kΩ)
R40	7030003480	S.RESISTOR	ERJ3GEYJ 222 V (2.2 kΩ)
R41	7030003800	S.RESISTOR	ERJ3GEYJ 105 V (1 MΩ)
R42	7030003560	S.RESISTOR	ERJ3GEYJ 103 V (10 kΩ)
R43	7030003770	S.RESISTOR	ERJ3GEYJ 564 V (560 kΩ)
R44	7030003680	S.RESISTOR	ERJ3GEYJ 104 V (100 kΩ)
R45	7030003680	S.RESISTOR	ERJ3GEYJ 104 V (100 kΩ)
R47	7030003440	S.RESISTOR	ERJ3GEYJ 102 V (1 kΩ)
R49	7030003560	S.RESISTOR	ERJ3GEYJ 103 V (10 kΩ)
R50	7030003750	S.RESISTOR	ERJ3GEYJ 394 V (390 kΩ)
R51	7030003690	S.RESISTOR	ERJ3GEYJ 124 V (120 kΩ)
R54	7030003800	S.RESISTOR	ERJ3GEYJ 105 V (1 MΩ)
R55	7030003670	S.RESISTOR	ERJ3GEYJ 823 V (82 kΩ)
R56	7030003580	S.RESISTOR	ERJ3GEYJ 153 V (15 kΩ)
R59	7030003800	S.RESISTOR	ERJ3GEYJ 105 V (1 MΩ)
R60	7030003680	S.RESISTOR	ERJ3GEYJ 104 V (100 kΩ)
R61	7030003800	S.RESISTOR	ERJ3GEYJ 105 V (1 MΩ)
R63	7030003680	S.RESISTOR	ERJ3GEYJ 104 V (100 kΩ)
R64	7030003680	S.RESISTOR	ERJ3GEYJ 104 V (100 kΩ)
R65	7410000750	S.ARRAY	EXB-V4V 104JV (100 kΩ)
R66	7410000750	S.ARRAY	EXB-V4V 104JV (100 kΩ)
R67	7410000750	S.ARRAY	EXB-V4V 104JV (100 kΩ)
R68	7410000750	S.ARRAY	EXB-V4V 104JV (100 kΩ)
R69	7030003790	S.RESISTOR	ERJ3GEYJ 824 V (820 kΩ)
R70	7030003650	S.RESISTOR	ERJ3GEYJ 563 V (56 kΩ)
R71	7030003800	S.RESISTOR	ERJ3GEYJ 105 V (1 MΩ)
R72	7030003680	S.RESISTOR	ERJ3GEYJ 104 V (100 kΩ)
R73	7030003540	S.RESISTOR	ERJ3GEYJ 682 V (6.8 kΩ)
R75	7030003320	S.RESISTOR	ERJ3GEYJ 101 V (100 Ω)
R76	7030003690	S.RESISTOR	ERJ3GEYJ 124 V (120 kΩ)
R77	7030003440	S.RESISTOR	ERJ3GEYJ 102 V (1 kΩ)
R78	7030003450	S.RESISTOR	ERJ3GEYJ 122 V (1.2 kΩ)
R79	7030003440	S.RESISTOR	ERJ3GEYJ 102 V (1 kΩ)
R80	7030003420	S.RESISTOR	ERJ3GEYJ 681 V (680 Ω)
R81	7030003760	S.RESISTOR	ERJ3GEYJ 474 V (470 kΩ)
R90	7030001040	S.RESISTOR	MCR50JZHJ 18 Ω (180)
R91	7030003390	S.RESISTOR	ERJ3GEYJ 391 V (390 Ω)
R92	7030003680	S.RESISTOR	ERJ3GEYJ 104 V (100 kΩ)
R93	7030003680	S.RESISTOR	ERJ3GEYJ 104 V (100 kΩ)
R97	7030003800	S.RESISTOR	ERJ3GEYJ 105 V (1 MΩ)
R100	7030003620	S.RESISTOR	ERJ3GEYJ 333 V (33 kΩ)
R101	7030003560	S.RESISTOR	ERJ3GEYJ 103 V (10 kΩ)
R102	7030003680	S.RESISTOR	ERJ3GEYJ 104 V (100 kΩ)
R103	7030003570	S.RESISTOR	ERJ3GEYJ 123 V (12 kΩ)
R104	7030003560	S.RESISTOR	ERJ3GEYJ 103 V (10 kΩ)
R105	7030003680	S.RESISTOR	ERJ3GEYJ 104 V (100 kΩ)
R106	7030003600	S.RESISTOR	ERJ3GEYJ 223 V (22 kΩ)
R107	7030003560	S.RESISTOR	ERJ3GEYJ 103 V (10 kΩ)
R108	7030003680	S.RESISTOR	ERJ3GEYJ 104 V (100 kΩ)
R109	7030003640	S.RESISTOR	ERJ3GEYJ 473 V (47 kΩ)
R110	7030000140	S.RESISTOR	MCR10EZHJ 10 Ω (100)
R111	7030003680	S.RESISTOR	ERJ3GEYJ 104 V (100 kΩ)

[LOGIC UNIT]

REF. NO.	ORDER NO.	DESCRIPTION	
R112	7030003760	S.RESISTOR	ERJ3GEYJ 474 V (470 kΩ)
R113	7030003600	S.RESISTOR	ERJ3GEYJ 223 V (22 kΩ)
R114	7030003600	S.RESISTOR	ERJ3GEYJ 223 V (22 kΩ)
R115	7030003680	S.RESISTOR	ERJ3GEYJ 104 V (100 kΩ)
R116	7030003700	S.RESISTOR	ERJ3GEYJ 154 V (150 kΩ)
R117	7030003630	S.RESISTOR	ERJ3GEYJ 393 V (39 kΩ)
R118	7030003690	S.RESISTOR	ERJ3GEYJ 124 V (120 kΩ)
R119	7030003690	S.RESISTOR	ERJ3GEYJ 124 V (120 kΩ)
R120	7030003690	S.RESISTOR	ERJ3GEYJ 124 V (120 kΩ)
R121	7030003680	S.RESISTOR	ERJ3GEYJ 104 V (100 kΩ)
R122	7030003760	S.RESISTOR	ERJ3GEYJ 474 V (470 kΩ)
R123	7030003680	S.RESISTOR	ERJ3GEYJ 104 V (100 kΩ)
R124	7030003310	S.RESISTOR	ERJ3GEYJ 820 V (82 Ω)
R125	7030003750	S.RESISTOR	ERJ3GEYJ 394 V (390 kΩ)
R126	7030003640	S.RESISTOR	ERJ3GEYJ 473 V (47 kΩ)
R127	7030003700	S.RESISTOR	ERJ3GEYJ 154 V (150 kΩ)
R128	7030003680	S.RESISTOR	ERJ3GEYJ 104 V (100 kΩ)
C1	4030008630	S.CERAMIC	C1608 JF 1C 104Z-T-A
C2	4030006690	S.CERAMIC	C1608 SL 1H 330J-T-A
C3	4030006700	S.CERAMIC	C1608 SL 1H 390J-T-A
C4	4030008630	S.CERAMIC	C1608 JF 1C 104Z-T-A
C5	4030006890	S.CERAMIC	C1608 JF 1H 103Z-T-A
C6	4030008630	S.CERAMIC	C1608 JF 1C 104Z-T-A
C7	4030008630	S.CERAMIC	C1608 JF 1C 104Z-T-A
C8	4030008680	S.CERAMIC	C2012 JF 1C 105Z-T-A
C9	4030006890	S.CERAMIC	C1608 JF 1H 103Z-T-A
C10	4030008680	S.CERAMIC	C2012 JF 1C 105Z-T-A
C11	4030008680	S.CERAMIC	C2012 JF 1C 105Z-T-A
C12	4030006890	S.CERAMIC	C1608 JF 1H 103Z-T-A
C13	4030008680	S.CERAMIC	C2012 JF 1C 105Z-T-A
C14	4030006870	S.CERAMIC	C1608 JB 1H 222K-T-A
C15	4030005110	S.CERAMIC	C2012 JB 1E 473K-T-A
C16	4030005110	S.CERAMIC	C2012 JB 1E 473K-T-A
C17	4030008880	S.CERAMIC	C1608 JB 1C 223K-T-A
C18	4030008760	S.CERAMIC	C2012 X7R 1C 104K-T-A
C19	4030008760	S.CERAMIC	C2012 X7R 1C 104K-T-A
C20	4030008890	S.CERAMIC	C1608 JF 1H 103Z-T-A
C21	4030008630	S.CERAMIC	C1608 JF 1C 104Z-T-A
C22	4030008760	S.CERAMIC	C2012 X7R 1C 104K-T-A
C23	4030008890	S.CERAMIC	C1608 JF 1H 103Z-T-A
C24	4030008760	S.CERAMIC	C2012 X7R 1C 104K-T-A
C25	4030008760	S.CERAMIC	C2012 X7R 1C 104K-T-A
C26	4550004440	S.TANTALUM	F95 0J335MQAAQ2
C27	4030008630	S.CERAMIC	C1608 JF 1C 104Z-T-A
C28	4030008630	S.CERAMIC	C1608 JF 1C 104Z-T-A
C29	4030008890	S.CERAMIC	C1608 JF 1H 103Z-T-A
C30	4030006890	S.CERAMIC	C1608 JF 1H 103Z-T-A
C31	4030006710	S.CERAMIC	C1608 SL 1H 470J-T-A
C32	4030006710	S.CERAMIC	C1608 SL 1H 470J-T-A
C33	4030006710	S.CERAMIC	C1608 SL 1H 470J-T-A
C34	4030006610	S.CERAMIC	C1608 SL 1H 100D-T-A
C35	4030006710	S.CERAMIC	C1608 SL 1H 470J-T-A
C36	4030006610	S.CERAMIC	C1608 SL 1H 100D-T-A
C37	4030006610	S.CERAMIC	C1608 SL 1H 100D-T-A
C38	4030008760	S.CERAMIC	C2012 X7R 1C 104K-T-A
C39	4030006660	S.CERAMIC	C1608 JB 1H 102K-T-A
C40	4030008630	S.CERAMIC	C1608 JF 1C 104Z-T-A
C41	4030008630	S.CERAMIC	C1608 JF 1C 104Z-T-A
C43	4030006850	S.CERAMIC	C1608 JB 1H 471K-T-A
C46	4030006890	S.CERAMIC	C1608 JF 1H 103Z-T-A
C48	4030008890	S.CERAMIC	C1608 JF 1H 103Z-T-A
C50	4030008760	S.CERAMIC	C2012 X7R 1C 104K-T-A
C51	4030006710	S.CERAMIC	C1608 SL 1H 470J-T-A
C52	4030006710	S.CERAMIC	C1608 SL 1H 470J-T-A
C53	4030006610	S.CERAMIC	C1608 SL 1H 100D-T-A
C54	4030008760	S.CERAMIC	C2012 X7R 1C 104K-T-A
C55	4030006710	S.CERAMIC	C1608 SL 1H 470J-T-A
C56	4030006610	S.CERAMIC	C1608 SL 1H 100D-T-A
C57	4030006610	S.CERAMIC	C1608 SL 1H 100D-T-A
C58	4030006710	S.CERAMIC	C1608 SL 1H 470J-T-A
C59	4030006610	S.CERAMIC	C1608 SL 1H 100D-T-A
C60	4030006710	S.CERAMIC	C1608 SL 1H 470J-T-A
C61	4030006710	S.CERAMIC	C1608 SL 1H 470J-T-A
C62	4030006710	S.CERAMIC	C1608 SL 1H 470J-T-A

S.=Surface mount

[LOGIC UNIT]

REF. NO.	ORDER NO.	DESCRIPTION	
C63	4030006710	S.CERAMIC	C1608 SL 1H 470J-T-A
C64	4030006810	S.CERAMIC	C1608 SL 1H 100D-T-A
C65	4030006710	S.CERAMIC	C1608 SL 1H 470J-T-A
C66	4030006710	S.CERAMIC	C1608 SL 1H 470J-T-A
C67	4030006710	S.CERAMIC	C1608 SL 1H 470J-T-A
C68	4030006710	S.CERAMIC	C1608 SL 1H 470J-T-A
C69	4030006710	S.CERAMIC	C1608 SL 1H 470J-T-A
C70	4030006710	S.CERAMIC	C1608 SL 1H 470J-T-A
C72	4030006890	S.CERAMIC	C1608 JF 1H 103Z-T-A
C73	4030006860	S.CERAMIC	C1608 JB 1H 102K-T-A
C74	4030007060	S.CERAMIC	C1608 CH 1H 270J-T-A
C75	4030007060	S.CERAMIC	C1608 CH 1H 270J-T-A
C76	4030006890	S.CERAMIC	C1608 JF 1H 103Z-T-A
C77	4030006890	S.CERAMIC	C1608 JF 1H 103Z-T-A
C78	4030006750	S.CERAMIC	C1608 SL 1H 101J-T-A
C79	4030006750	S.CERAMIC	C1608 SL 1H 101J-T-A
C80	4510005940	ELECTROLITIC	10 MV 470 HC
C81	4030006890	S.CERAMIC	C1608 JF 1H 103Z-T-A
C83	4030006890	S.CERAMIC	C1608 JF 1H 103Z-T-A
C84	4030009000	S.CERAMIC	C2012 JB 1C 224K-T-A
C86	4030006860	S.CERAMIC	C2012 JF 1C 105Z-T-A
C87	4030006890	S.CERAMIC	C1608 JF 1H 103Z-T-A
C88	4030006860	S.CERAMIC	C2012 JF 1C 105Z-T-A
C90	4030006890	S.CERAMIC	C1608 JF 1H 103Z-T-A
C91	4510005600	S.ELECTROLITIC	ECEV1CS100SR
C92	4030006710	S.CERAMIC	C1608 SL 1H 470J-T-A
C93	4030006710	S.CERAMIC	C1608 SL 1H 470J-T-A
C94	4030006710	S.CERAMIC	C1608 SL 1H 470J-T-A
C100	4030006850	S.CERAMIC	C1608 JB 1H 471K-T-A
C101	4030006850	S.CERAMIC	C1608 JB 1H 471K-T-A
C102	4510005600	S.ELECTROLITIC	ECEV1CS100SR
C103	4030006800	S.CERAMIC	C1608 SL 1H 221J-T-A
C104	4030006830	S.CERAMIC	C1608 SL 1H 331J-T-A
C105	4030006720	S.CERAMIC	C1608 SL 1H 560J-T-A
C106	4030006890	S.CERAMIC	C1608 JF 1H 103Z-T-A
C107	4030006890	S.CERAMIC	C1608 JF 1H 103Z-T-A
C108	4510005600	S.ELECTROLITIC	ECEV1CS100SR
C109	4030006890	S.CERAMIC	C1608 JF 1H 103Z-T-A
C110	4030006850	S.CERAMIC	C1608 JB 1H 471K-T-A
C111	4030006890	S.CERAMIC	C1608 JF 1H 103Z-T-A
C112	4030006710	S.CERAMIC	C1608 SL 1H 470J-T-A
C113	4550004130	S.TANTALUM	F95 1C335MSAAQ2
C114	4030006860	S.CERAMIC	C2012 JF 1C 105Z-T-A
C115	4030006850	S.CERAMIC	C1608 JB 1H 471K-T-A
C116	4030006850	S.CERAMIC	C1608 JB 1H 471K-T-A
C117	4030006850	S.CERAMIC	C1608 JB 1H 471K-T-A
C118	4030006850	S.CERAMIC	C1608 JB 1H 471K-T-A
C119	4030006850	S.CERAMIC	C1608 JB 1H 471K-T-A
C120	4030006870	S.CERAMIC	C1608 JB 1H 222K-T-A
C121	4030009000	S.CERAMIC	C2012 JB 1C 224K-T-A
C122	4030006860	S.CERAMIC	C1608 JB 1H 102K-T-A
W1	7120000380	JUMPER	JPW 01 R-01 (ITA, USA, SEA)
W2	7030003860	S.JUMPER	ERJ3GE JPW V (EUR, USA, AUS, SEA)
W4	7030003860	S.JUMPER	ERJ3GE JPW V
W7	7030003860	S.JUMPER	ERJ3GE JPW V
W8	7030003860	S.JUMPER	ERJ3GE JPW V
W9	7030003860	S.JUMPER	ERJ3GE JPW V
W10	7030003860	S.JUMPER	ERJ3GE JPW V
W11	7030003860	S.JUMPER	ERJ3GE JPW V
W12	7030003860	S.JUMPER	ERJ3GE JPW V
W13	7030003860	S.JUMPER	ERJ3GE JPW V
J1	6510012690	CONNECTOR	53020-0810
J2	6510016200	CONNECTOR	53047-0810
J3	6510016190	S.CONNECTOR	52465-1290
J4	6510016190	S.CONNECTOR	52465-1290
J5	6510014540	S.CONNECTOR	5-176313-4
J6	6510014540	S.CONNECTOR	5-176313-4
EP1	0910039072	PCB	B 3802B

[MIC BOARD]

REF. NO.	ORDER NO.	DESCRIPTION	
Q1	1590000720	S.TRANSISTOR	DTA144EU T107
Q2	1530002840	S.TRANSISTOR	2SC4116-Y (TE85R)
Q3	1530002840	S.TRANSISTOR	2SC4116-Y (TE85R)
D1	1750000260	S.DIODE	1SS352 (TPH3)
D2	1750000260	S.DIODE	1SS352 (TPH3)
D3	1730002280	S.ZENER	MA8091-M(TX)
R2	7030003440	S.RESISTOR	ERJ3GEYJ 102 V (1 kΩ)
R3	7030003680	S.RESISTOR	ERJ3GEYJ 104 V (100 kΩ)
R4	7030003680	S.RESISTOR	ERJ3GEYJ 104 V (100 kΩ)
R5	7030003680	S.RESISTOR	ERJ3GEYJ 104 V (100 kΩ)
R6	7030003480	S.RESISTOR	ERJ3GEYJ 222 V (2.2 kΩ)
R7	7030003600	S.RESISTOR	ERJ3GEYJ 223 V (22 kΩ)
R8	7030003560	S.RESISTOR	ERJ3GEYJ 103 V (10 kΩ)
R9	7030003680	S.RESISTOR	ERJ3GEYJ 104 V (100 kΩ)
C2	4030006860	S.CERAMIC	C1608 JB 1H 102K-T-A
C3	4030006860	S.CERAMIC	C1608 JB 1H 102K-T-A
C4	4030006860	S.CERAMIC	C1608 JB 1H 102K-T-A
C6	4030006860	S.CERAMIC	C1608 JB 1H 102K-T-A
C7	4030006860	S.CERAMIC	C1608 JB 1H 102K-T-A
W1	7030000010	S.JUMPER	MCR10EZHZ JPW (000)
J1	6510016480	CONNECTOR	52018-8845 [MIC]
J2	6510016480	S.CONNECTOR	53309-1290
EP1	0910040223	PCB	B 3982C

[AF UNIT]

REF. NO.	ORDER NO.	DESCRIPTION	
IC1	1110000960	S.IC	NJM4558M(T1)
IC2	1180001070	S.IC	TA7805F(TE16L)
IC3	1110000490	IC	AN8541
IC4	1110002750	S.IC	TA75S01F (TE85R)
IC5	1130004730	S.IC	BU4066BF-T1
IC6	1130005810	S.IC	BU4094BF-T1
IC7	1110000960	S.IC	NJM4558M(T1)
IC8	1130003060	IC	TC9154AP
IC9	1110000960	S.IC	NJM4558M(T1)
IC10	1110001700	S.IC	TL499ACPS
IC11	1130004730	S.IC	BU4066BF-T1
IC12	1110000960	S.IC	NJM4558M(T1)
IC13	1130007370	S.IC	TA75S558F(TE85L)
IC14	1130007370	S.IC	TA75S558F(TE85L)
IC15	1110003230	S.IC	TA31101F(TP1)
Q1	1590001390	S.FET	2SJ144-Y (TE85R)
Q2	1590001390	S.FET	2SJ144-Y (TE85R)
Q3	1590000430	S.TRANSISTOR	DTC144EU T107
Q4	1590001390	S.FET	2SJ144-Y (TE85R)
Q5	1590001390	S.FET	2SJ144-Y (TE85R)
Q6	1590000430	S.TRANSISTOR	DTC144EU T107
Q7	1530002690	S.TRANSISTOR	2SC4116-GR (TE85R)
Q8	1530002840	S.TRANSISTOR	2SC4116-Y (TE85R)
Q9	1510000700	S.TRANSISTOR	2SA1736 (TE12R)
Q10	1590000680	S.TRANSISTOR	DTC114EU T107
Q11	1520000380	TRANSISTOR	2SB1143 S
Q12	1540000250	S.TRANSISTOR	2SD999-T2 CK
Q13	1510000700	S.TRANSISTOR	2SA1736 (TE12R)
Q14	1530002690	S.TRANSISTOR	2SC4116-GR (TE85R)
Q15	1520000380	TRANSISTOR	2SB1143 S
Q16	1540000250	S.TRANSISTOR	2SD999-T2 CK
Q17	1510000700	S.TRANSISTOR	2SA1736 (TE12R)

S.=Surface mount

[AF UNIT]

REF. NO.	ORDER NO.	DESCRIPTION	
Q18	1530002890	S.TRANSISTOR	2SC4116-GR (TE85R)
Q19	1590000430	S.TRANSISTOR	DTC144EU T107
Q20	1530003100	S.TRANSISTOR	2SC4541 (TE12R)
Q21	1530002850	S.TRANSISTOR	2SC4116-BL (TE85R)
Q22	1590000430	S.TRANSISTOR	DTC144EU T107
Q23	1590000430	S.TRANSISTOR	DTC144EU T107
Q24	1530003090	S.TRANSISTOR	2SC4213-B (TE85R)
Q25	1530003090	S.TRANSISTOR	2SC4213-B (TE85R)
D1	1750000270	S.DIODE	1SS301 (TE85R)
D2	1750000270	S.DIODE	1SS301 (TE85R)
D3	1790001000	S.ZENER	MA8082-L(TX)
L1	6180001120	COIL	FL 5H 101K
L2	6180002820	COIL	RCR864D-101K
R1	7030003320	S.RESISTOR	ERJ3GEYJ 101 V (100 Ω)
R2	7030003560	S.RESISTOR	ERJ3GEYJ 103 V (10 kΩ)
R3	7030003500	S.RESISTOR	ERJ3GEYJ 332 V (3.3 kΩ)
R3	7030003590	S.RESISTOR	ERJ3GEYJ 183 V (18 kΩ)
R4	7030003610	S.RESISTOR	ERJ3GEYJ 273 V (27 kΩ)
R4	7030003570	S.RESISTOR	ERJ3GEYJ 123 V (12 kΩ)
R5	7030003680	S.RESISTOR	ERJ3GEYJ 104 V (100 kΩ)
R6	7030003680	S.RESISTOR	ERJ3GEYJ 104 V (100 kΩ)
R8	7030003680	S.RESISTOR	ERJ3GEYJ 104 V (100 kΩ)
R8	7030003700	S.RESISTOR	ERJ3GEYJ 154 V (150 kΩ)
R9	7030003640	S.RESISTOR	ERJ3GEYJ 473 V (47 kΩ)
R10	7030003680	S.RESISTOR	ERJ3GEYJ 104 V (100 kΩ)
R11	7030003680	S.RESISTOR	ERJ3GEYJ 104 V (100 kΩ)
R12	7030003640	S.RESISTOR	ERJ3GEYJ 473 V (47 kΩ)
R13	7030003320	S.RESISTOR	ERJ3GEYJ 101 V (100 Ω)
R14	7030003420	S.RESISTOR	ERJ3GEYJ 681 V (680 Ω)
R15	7030003680	S.RESISTOR	ERJ3GEYJ 104 V (100 kΩ)
R16	7030003600	S.RESISTOR	ERJ3GEYJ 223 V (22 kΩ)
R17	7030003280	S.RESISTOR	ERJ3GEYJ 470 V (47 Ω)
R18	7030003390	S.RESISTOR	ERJ3GEYJ 391 V (390 Ω)
R19	7030003740	S.RESISTOR	ERJ3GEYJ 334 V (330 kΩ)
R20	7030003750	S.RESISTOR	ERJ3GEYJ 394 V (390 kΩ)
R21	7030003790	S.RESISTOR	ERJ3GEYJ 824 V (820 kΩ)
R22	7030003690	S.RESISTOR	ERJ3GEYJ 124 V (120 kΩ)
R25	7030003720	S.RESISTOR	ERJ3GEYJ 224 V (220 kΩ)
R26	7030003670	S.RESISTOR	ERJ3GEYJ 823 V (82 kΩ)
R27	7030003670	S.RESISTOR	ERJ3GEYJ 823 V (82 kΩ)
R28	7030003670	S.RESISTOR	ERJ3GEYJ 823 V (82 kΩ)
R29	7030003480	S.RESISTOR	ERJ3GEYJ 222 V (2.2 kΩ)
R30	7030003800	S.RESISTOR	ERJ3GEYJ 105 V (1 MΩ)
R31	7030003560	S.RESISTOR	ERJ3GEYJ 103 V (10 kΩ)
R32	7030003640	S.RESISTOR	ERJ3GEYJ 473 V (47 kΩ)
R33	7030000450	S.RESISTOR	MCR10EZJH 3.9 kΩ (392)
R34	7030003570	S.RESISTOR	ERJ3GEYJ 123 V (12 kΩ)
R36	7030003320	S.RESISTOR	ERJ3GEYJ 101 V (100 Ω)
R37	7030000380	S.RESISTOR	MCR10EZJH 1 kΩ (102)
R38	7030003640	S.RESISTOR	ERJ3GEYJ 473 V (47 kΩ)
R39	7030003560	S.RESISTOR	ERJ3GEYJ 103 V (10 kΩ)
R40	7030000300	S.RESISTOR	MCR10EZJH 220 Ω (221)
R41	7030000300	S.RESISTOR	MCR10EZJH 220 Ω (221)
R42	7030003320	S.RESISTOR	ERJ3GEYJ 101 V (100 Ω)
R43	7030000380	S.RESISTOR	MCR10EZJH 1 kΩ (102)
R44	7030003640	S.RESISTOR	ERJ3GEYJ 473 V (47 kΩ)
R45	7030003560	S.RESISTOR	ERJ3GEYJ 103 V (10 kΩ)
R46	7030000300	S.RESISTOR	MCR10EZJH 220 Ω (221)
R47	7030000300	S.RESISTOR	MCR10EZJH 220 Ω (221)
R48	7030003720	S.RESISTOR	ERJ3GEYJ 224 V (220 kΩ)
R49	7030003730	S.RESISTOR	ERJ3GEYJ 274 V (270 kΩ)
R50	7030003680	S.RESISTOR	ERJ3GEYJ 104 V (100 kΩ)
R51	7030003320	S.RESISTOR	ERJ3GEYJ 101 V (100 Ω)
R53	7030003690	S.RESISTOR	ERJ3GEYJ 124 V (120 kΩ)

[AF UNIT]

REF. NO.	ORDER NO.	DESCRIPTION	
R54	7030003840	S.RESISTOR	ERJ3GEYJ 225 V (2.2 MΩ)
R55	7030003840	S.RESISTOR	ERJ3GEYJ 225 V (2.2 MΩ)
R56	7030003840	S.RESISTOR	ERJ3GEYJ 225 V (2.2 MΩ)
R57	7030003840	S.RESISTOR	ERJ3GEYJ 225 V (2.2 MΩ)
R58	7030003690	S.RESISTOR	ERJ3GEYJ 124 V (120 kΩ)
R60	7030003640	S.RESISTOR	ERJ3GEYJ 473 V (47 kΩ)
R61	7030003760	S.RESISTOR	ERJ3GEYJ 474 V (470 kΩ)
R62	7030003760	S.RESISTOR	ERJ3GEYJ 474 V (470 kΩ)
R63	7030003760	S.RESISTOR	ERJ3GEYJ 474 V (470 kΩ)
R64	7030003760	S.RESISTOR	ERJ3GEYJ 474 V (470 kΩ)
R65	7030003680	S.RESISTOR	ERJ3GEYJ 104 V (100 kΩ)
R66	7030003680	S.RESISTOR	ERJ3GEYJ 104 V (100 kΩ)
R67	7030003640	S.RESISTOR	ERJ3GEYJ 473 V (47 kΩ)
R68	7030003640	S.RESISTOR	ERJ3GEYJ 473 V (47 kΩ)
R69	7030003320	S.RESISTOR	ERJ3GEYJ 101 V (100 Ω)
R70	7030003560	S.RESISTOR	ERJ3GEYJ 103 V (10 kΩ)
R71	7030003560	S.RESISTOR	ERJ3GEYJ 103 V (10 kΩ)
R72	7030003360	S.RESISTOR	ERJ3GEYJ 221 V (220 Ω)
R73	7030000980	S.RESISTOR	MCR50JZHJ 5.6 Ω (5F8)
R74	7030003400	S.RESISTOR	ERJ3GEYJ 471 V (470 Ω)
R75	7030003520	S.RESISTOR	ERJ3GEYJ 472 V (4.7 kΩ)
R76	7030003690	S.RESISTOR	ERJ3GEYJ 124 V (120 kΩ)
R77	7030003550	S.RESISTOR	ERJ3GEYJ 822 V (8.2 kΩ)
R78	7030003640	S.RESISTOR	ERJ3GEYJ 473 V (47 kΩ)
R79	7030003640	S.RESISTOR	ERJ3GEYJ 473 V (47 kΩ)
R80	7030003560	S.RESISTOR	ERJ3GEYJ 103 V (10 kΩ)
R81	7030003560	S.RESISTOR	ERJ3GEYJ 103 V (10 kΩ)
R82	7030003640	S.RESISTOR	ERJ3GEYJ 473 V (47 kΩ)
R83	7030003560	S.RESISTOR	ERJ3GEYJ 103 V (10 kΩ)
R84	7030003560	S.RESISTOR	ERJ3GEYJ 103 V (10 kΩ)
R85	7030003320	S.RESISTOR	ERJ3GEYJ 101 V (100 Ω)
R86	7030003720	S.RESISTOR	ERJ3GEYJ 224 V (220 kΩ)
R87	7030003720	S.RESISTOR	ERJ3GEYJ 224 V (220 kΩ)
R88	7030003680	S.RESISTOR	ERJ3GEYJ 104 V (100 kΩ)
R89	7030003680	S.RESISTOR	ERJ3GEYJ 104 V (100 kΩ)
R90	7030003620	S.RESISTOR	ERJ3GEYJ 333 V (33 kΩ)
R91	7030003560	S.RESISTOR	ERJ3GEYJ 103 V (10 kΩ)
R92	7030003620	S.RESISTOR	ERJ3GEYJ 333 V (33 kΩ)
R93	7030003560	S.RESISTOR	ERJ3GEYJ 103 V (10 kΩ)
R100	7030003660	S.RESISTOR	ERJ3GEYJ 683 V (68 kΩ)
R101	7030003670	S.RESISTOR	ERJ3GEYJ 823 V (82 kΩ)
R102	7030003660	S.RESISTOR	ERJ3GEYJ 683 V (68 kΩ)
R103	7030003660	S.RESISTOR	ERJ3GEYJ 683 V (68 kΩ)
R104	7030003660	S.RESISTOR	ERJ3GEYJ 683 V (68 kΩ)
R105	7030003320	S.RESISTOR	ERJ3GEYJ 101 V (100 Ω)
R106	7030003610	S.RESISTOR	ERJ3GEYJ 273 V (27 kΩ)
R106	7030003620	S.RESISTOR	ERJ3GEYJ 333 V (33 kΩ)
R107	7030003690	S.RESISTOR	ERJ3GEYJ 124 V (120 kΩ)
R108	7030003700	S.RESISTOR	ERJ3GEYJ 154 V (150 kΩ)
R109	7030003800	S.RESISTOR	ERJ3GEYJ 223 V (22 kΩ)
R110	7030003640	S.RESISTOR	ERJ3GEYJ 473 V (47 kΩ)
R111	7030003320	S.RESISTOR	ERJ3GEYJ 101 V (100 Ω)
R112	7030003680	S.RESISTOR	ERJ3GEYJ 104 V (100 kΩ)
R113	7030003570	S.RESISTOR	ERJ3GEYJ 123 V (12 kΩ)
R114	7030003320	S.RESISTOR	ERJ3GEYJ 101 V (100 Ω)
C1	4510005300	S.ELECTROLITIC	ECEV1AA330P
C2	4030008680	S.CERAMIC	C2012 JF 1C 105Z-T-A
C3	4030008680	S.CERAMIC	C2012 JF 1C 105Z-T-A
C4	4550004130	S.TANTALUM	F95 1C335MSAAQ2
C5	4030008680	S.CERAMIC	C2012 JF 1C 105Z-T-A
C6	4030008680	S.CERAMIC	C2012 JF 1C 105Z-T-A
C8	4510004630	S.ELECTROLITIC	ECEV1CA100R
C9	4030008680	S.CERAMIC	C1808 JB 1H 102K-T-A
C10	4030008680	S.CERAMIC	C2012 JB 1H 331K-T-A
C11	4030007020	S.CERAMIC	C1808 CH 1H 120J-T-A
C12	4550004270	S.TANTALUM	F95 1C105MQAAQ2
C13	4030008680	S.CERAMIC	C2012 JF 1C 105Z-T-A
C14	4030009490	S.CERAMIC	C1808 JB 1H 331K-T-A
C15	4030008650	S.CERAMIC	C1808 JB 1H 332K-T-A
C16	4030006740	S.CERAMIC	C1808 SL 1H 820J-T-A
C17	4030008690	S.CERAMIC	C1808 JF 1H 103Z-T-A
C18	4030006750	S.CERAMIC	C1808 SL 1H 101J-T-A

S.=Surface mount

[AF UNIT]

REF. NO.	ORDER NO.	DESCRIPTION
C19	4030006890	S.CERAMIC C1608 JF 1H 103Z-T-A
C20	4030006890	S.CERAMIC C1608 JF 1H 103Z-T-A
C21	4030006890	S.CERAMIC C1608 JF 1H 103Z-T-A
C22	4030008630	S.CERAMIC C1608 JF 1C 104Z-T-A
C23	4030008630	S.CERAMIC C1608 JF 1C 104Z-T-A
C24	4510004640	S.ELECTROLITIC ECEV1CA470P
C25	4030008890	S.CERAMIC C1608 JF 1H 103Z-T-A
C26	4030008890	S.CERAMIC C1608 JF 1H 103Z-T-A
C27	4510005370	S.ELECTROLITIC ECEV1AA221P
C28	4030008890	S.CERAMIC C1608 JF 1H 103Z-T-A
C29	4030008890	S.CERAMIC C1608 JF 1H 103Z-T-A
C30	4510004990	ELECTROLITIC 16 MV 100 HC
C31	4510004990	ELECTROLITIC 16 MV 100 HC
C32	4510004630	S.ELECTROLITIC ECEV1CA100R
C33	4030008630	S.CERAMIC C1608 JF 1C 104Z-T-A
C34	4510005300	S.ELECTROLITIC ECEV1AA330P
C35	4510004630	S.ELECTROLITIC ECEV1CA100R
C36	4030008630	S.CERAMIC C1608 JF 1C 104Z-T-A
C37	4510005300	S.ELECTROLITIC ECEV1AA330P
C38	4510004630	S.ELECTROLITIC ECEV1CA100R
C39	4030008680	S.CERAMIC C2012 JF 1C 105Z-T-A
C41	4030006890	S.CERAMIC C1608 JF 1H 103Z-T-A
C42	4030008660	S.CERAMIC C2012 JB 1H 333K-T-A
C43	4030008660	S.CERAMIC C2012 JB 1H 333K-T-A
C44	4030008630	S.CERAMIC C1608 JF 1C 104Z-T-A
C45	4030008630	S.CERAMIC C1608 JF 1C 104Z-T-A
C46	4030008680	S.CERAMIC C2012 JF 1C 105Z-T-A
C47	4030009580	S.CERAMIC C1608 JB 1H 681K-T-A
C48	4030008680	S.CERAMIC C2012 JF 1C 105Z-T-A
C49	4030009580	S.CERAMIC C1608 JB 1H 681K-T-A
C50	4030006890	S.CERAMIC C1608 JF 1H 103Z-T-A
C51	4030008760	S.CERAMIC C2012 X7R 1C 104K-T-A
C52	4030008760	S.CERAMIC C2012 X7R 1C 104K-T-A
C53	4030008890	S.CERAMIC C1608 JF 1H 103Z-T-A
C54	4510005370	S.ELECTROLITIC ECEV1AA221P
C55	4510004640	S.ELECTROLITIC ECEV1CA470P
C56	4030006890	S.CERAMIC C1608 JF 1H 103Z-T-A
C57	4030006890	S.CERAMIC C1608 JF 1H 103Z-T-A
C58	4510005380	ELECTROLITIC 25 MV 47 HWS (5X11)
C59	4030008630	S.CERAMIC C1608 JF 1C 104Z-T-A
C60	4510005380	ELECTROLITIC 25 MV 47 HWS (5X11)
C61	4510003980	ELECTROLITIC 10 MV 100 HWS (5X11)
C62	4510003980	ELECTROLITIC 10 MV 100 HWS (5X11)
C63	4030008660	S.CERAMIC C1608 JB 1H 102K-T-A
C64	4550004160	S.TANTALUM F95 1V104MQAAQ2
C65	4510005390	ELECTROLITIC 35 MV 33 HWS (5X11)
C66	4510005390	ELECTROLITIC 35 MV 33 HWS (5X11)
C67	4510005390	ELECTROLITIC 35 MV 33 HWS (5X11)
C68	4030008680	S.CERAMIC C2012 JF 1C 105Z-T-A
C69	4030008680	S.CERAMIC C2012 JF 1C 105Z-T-A
C70	4510005300	S.ELECTROLITIC ECEV1AA330P
C72	4030008630	S.CERAMIC C1608 JF 1C 104Z-T-A
C73	4030006890	S.CERAMIC C1608 JF 1H 103Z-T-A
C74	4030008760	S.CERAMIC C2012 X7R 1C 104K-T-A
C75	4550004270	S.TANTALUM F95 1C105MQAAQ2
C76	4030008760	S.CERAMIC C2012 X7R 1C 104K-T-A
C77	4550004270	S.TANTALUM F95 1C105MQAAQ2
C78	4030006710	S.CERAMIC C1608 SL 1H 470J-T-A
C79	4030008660	S.CERAMIC C1608 JB 1H 102K-T-A
C80	4030006710	S.CERAMIC C1608 SL 1H 470J-T-A
C81	4030006710	S.CERAMIC C1608 SL 1H 470J-T-A
C82	4030006710	S.CERAMIC C1608 SL 1H 470J-T-A
C83	4030006610	S.CERAMIC C1608 SL 1H 100D-T-A
C84	4030006710	S.CERAMIC C1608 SL 1H 470J-T-A
C85	4030006710	S.CERAMIC C1608 SL 1H 470J-T-A
C86	4030006710	S.CERAMIC C1608 SL 1H 470J-T-A
C87	4030006710	S.CERAMIC C1608 SL 1H 470J-T-A
C88	4030006710	S.CERAMIC C1608 SL 1H 470J-T-A
C89	4030006710	S.CERAMIC C1608 SL 1H 470J-T-A
C90	4030005110	S.CERAMIC C2012 JB 1E 473K-T-A
C91	4030006710	S.CERAMIC C1608 SL 1H 470J-T-A
C92	4030006610	S.CERAMIC C1608 SL 1H 100D-T-A
C93	4030006610	S.CERAMIC C1608 SL 1H 100D-T-A
C94	4030006610	S.CERAMIC C1608 SL 1H 100D-T-A
C95	4030006610	S.CERAMIC C1608 SL 1H 100D-T-A
C96	4030006610	S.CERAMIC C1608 SL 1H 100D-T-A

[AF UNIT]

REF. NO.	ORDER NO.	DESCRIPTION
C97	4030006710	S.CERAMIC C1608 SL 1H 470J-T-A
C98	4030006610	S.CERAMIC C1608 SL 1H 100D-T-A
C99	4030006710	S.CERAMIC C1608 SL 1H 470J-T-A
C100	4030006610	S.CERAMIC C1608 SL 1H 100D-T-A
C101	4030006610	S.CERAMIC C1608 SL 1H 100D-T-A
C102	4030006710	S.CERAMIC C1608 SL 1H 470J-T-A
C103	4030006710	S.CERAMIC C1608 SL 1H 470J-T-A
C104	4030006710	S.CERAMIC C1608 SL 1H 470J-T-A
C105	4030006710	S.CERAMIC C1608 SL 1H 470J-T-A
C106	4030006710	S.CERAMIC C1608 SL 1H 470J-T-A
C107	4030006710	S.CERAMIC C1608 SL 1H 470J-T-A
C108	4030006710	S.CERAMIC C1608 SL 1H 470J-T-A
C109	4030006710	S.CERAMIC C1608 SL 1H 470J-T-A
C110	4030006610	S.CERAMIC C1608 SL 1H 100D-T-A
C111	4030006710	S.CERAMIC C1608 SL 1H 470J-T-A
C112	4030006610	S.CERAMIC C1608 SL 1H 100D-T-A
C113	4030006710	S.CERAMIC C1608 SL 1H 470J-T-A
C114	4030006860	S.CERAMIC C1608 JB 1H 102K-T-A
C115	4030006710	S.CERAMIC C1608 SL 1H 470J-T-A
C116	4030006710	S.CERAMIC C1608 SL 1H 470J-T-A
C117	4030006710	S.CERAMIC C1608 SL 1H 470J-T-A
C118	4030006710	S.CERAMIC C1608 SL 1H 470J-T-A
C119	4030006710	S.CERAMIC C1608 SL 1H 470J-T-A
C121	4030006710	S.CERAMIC C1608 SL 1H 470J-T-A
C122	4030006710	S.CERAMIC C1608 SL 1H 470J-T-A
C123	4030006710	S.CERAMIC C1608 SL 1H 470J-T-A
C124	4030006710	S.CERAMIC C1608 SL 1H 470J-T-A
C125	4030006710	S.CERAMIC C1608 SL 1H 470J-T-A
C126	4030006710	S.CERAMIC C1608 SL 1H 470J-T-A
C127	4030006610	S.CERAMIC C1608 SL 1H 100D-T-A
C128	4030006610	S.CERAMIC C1608 SL 1H 100D-T-A
C129	4030006610	S.CERAMIC C1608 SL 1H 100D-T-A
C130	4030006610	S.CERAMIC C1608 SL 1H 100D-T-A
C131	4030006610	S.CERAMIC C1608 SL 1H 100D-T-A
C132	4030006610	S.CERAMIC C1608 SL 1H 100D-T-A
C133	4030006860	S.CERAMIC C1608 JB 1H 102K-T-A
C134	4030006710	S.CERAMIC C1608 SL 1H 470J-T-A
C135	4030006710	S.CERAMIC C1608 SL 1H 470J-T-A
C136	4030006710	S.CERAMIC C1608 SL 1H 470J-T-A
C137	4030006710	S.CERAMIC C1608 SL 1H 470J-T-A
C138	4030006710	S.CERAMIC C1608 SL 1H 470J-T-A
C140	4030006710	S.CERAMIC C1608 SL 1H 470J-T-A
C141	4030006710	S.CERAMIC C1608 SL 1H 470J-T-A
C142	4030006710	S.CERAMIC C1608 SL 1H 470J-T-A
C143	4030006710	S.CERAMIC C1608 SL 1H 470J-T-A
C144	4030006710	S.CERAMIC C1608 SL 1H 470J-T-A
C145	4030006710	S.CERAMIC C1608 SL 1H 470J-T-A
C146	4030006610	S.CERAMIC C1608 SL 1H 100D-T-A
C147	4030006610	S.CERAMIC C1608 SL 1H 100D-T-A
C148	4030006610	S.CERAMIC C1608 SL 1H 100D-T-A
C149	4030006610	S.CERAMIC C1608 SL 1H 100D-T-A
C150	4030006610	S.CERAMIC C1608 SL 1H 100D-T-A
C151	4030006610	S.CERAMIC C1608 SL 1H 100D-T-A
C152	4510004630	S.ELECTROLITIC ECEV1CA100R
C155	4030008890	S.CERAMIC C1608 JF 1H 103Z-T-A
C156	4030006860	S.CERAMIC C1608 JB 1H 102K-T-A
C157	4030006800	S.CERAMIC C1608 SL 1H 221J-T-A
C158	4550004130	S.TANTALUM F95 1C335MSAAQ2
C159	4510004630	S.ELECTROLITIC ECEV1CA100R
C160	4030008680	S.CERAMIC C2012 JF 1C 105Z-T-A
C161	4030008900	S.CERAMIC C1608 JB 1E 103K-T-A
C162	4030008630	S.CERAMIC C1608 JF 1C 104Z-T-A
C163	4510004630	S.ELECTROLITIC ECEV1CA100R
C164	4550003080	S.TANTALUM TEMSVA 1A 335M-8L
C165	4550005980	S.TANTALUM TEMSVA 1A 475M-8L
C166	4550005980	S.TANTALUM TEMSVA 1A 475M-8L
C167	4550005980	S.TANTALUM TEMSVA 1A 475M-8L
C168	4030008830	S.CERAMIC C1608 SL 1H 331J-T-A
C169	4030006890	S.CERAMIC C1608 JF 1H 103Z-T-A
C170	4510004630	S.ELECTROLITIC ECEV1CA100R
C171	4030008880	S.CERAMIC C2012 JF 1C 105Z-T-A
C172	4030006900	S.CERAMIC C1608 JB 1E 103K-T-A
W2	7030003860	S.JUMPER ERJ3GE JPW V
W5	7030003860	S.JUMPER ERJ3GE JPW V

S.=Surface mount

[AF UNIT]

REF. NO.	ORDER NO.	DESCRIPTION	
W6	7030003860	S.JUMPER	ERJ3GE JPW V
W7	7030003860	S.JUMPER	ERJ3GE JPW V
W8	7030003860	S.JUMPER	ERJ3GE JPW V
W9	7030003860	S.JUMPER	ERJ3GE JPW V
W10	7030003860	S.JUMPER	ERJ3GE JPW V
W11	7030000010	S.JUMPER	MCR10EZHJ JPW (000)
W12	7030000010	S.JUMPER	MCR10EZHJ JPW (000)
J1	6510014550	S.CONNECTOR	2-176834-4
J2	6510014550	S.CONNECTOR	2-176834-4
J3	6510014780	CONNECTOR	53244-1017
J4	6510014780	CONNECTOR	53244-1017
J5	6510014780	CONNECTOR	53244-1017
J6	6510014780	CONNECTOR	53244-1017
EP1	0910039103	PCB	B 3805C
EP4	6910007640	CASE	CASE-VF1-7H

[MAIN-A UNIT]

REF. NO.	ORDER NO.	DESCRIPTION	
IC1	1130004200	S.IC	TC4S66F (TE85R)
IC2	1150000760	IC	SC1091
IC3	1110001971	S.IC	μPC1676G-T1
IC4	1130005810	S.IC	BU4094BF-T1
IC5	1130005810	S.IC	BU4094BF-T1
IC8	1110003090	IC	LA4425A
Q1	1530002840	S.TRANSISTOR	2SC4116-Y (TE85R)
Q2	1530002840	S.TRANSISTOR	2SC4116-Y (TE85R)
Q3	1510000780	S.TRANSISTOR	2SA1586-Y (TE85R)
Q4	1560000540	S.FET	2SK880-Y (TE85R)
Q5	1530002840	S.TRANSISTOR	2SC4116-Y (TE85R)
Q6	1530002920	S.TRANSISTOR	2SC4226-T2 R25
Q7	1530002920	S.TRANSISTOR	2SC4226-T2 R25
Q8	1520000610	TRANSISTOR	2SB1266 S
Q9	1530002920	S.TRANSISTOR	2SC4226-T2 R25
Q10	1580000480	S.FET	3SK184-S (TX)
Q11	1590000430	S.TRANSISTOR	DTC144EU T107
Q12	1580000480	S.FET	3SK184-S (TX)
Q13	1580000490	S.FET	3SK186-2-T7
Q14	1530002920	S.TRANSISTOR	2SC4226-T2 R25
Q15	1590000430	S.TRANSISTOR	DTC144EU T107
Q16	1580000480	S.FET	3SK184-S (TX)
Q17	1590000430	S.TRANSISTOR	DTC144EU T107
Q18	1590000430	S.TRANSISTOR	DTC144EU T107
Q19	1530002840	S.TRANSISTOR	2SC4116-Y (TE85R)
Q20	1510000690	S.TRANSISTOR	2SA1734 (TE12R)
Q21	1590000430	S.TRANSISTOR	DTC144EU T107
Q22	1590001040	S.TRANSISTOR	DTA113ZU T107
Q23	1590000430	S.TRANSISTOR	DTC144EU T107
Q24	1590001040	S.TRANSISTOR	DTA113ZU T107
Q25	1590000430	S.TRANSISTOR	DTC144EU T107
Q26	1590001040	S.TRANSISTOR	DTA113ZU T107
Q28	1590000680	S.TRANSISTOR	DTC114EU T107
Q29	1510000690	S.TRANSISTOR	2SA1734 (TE12R)
Q30	1530002840	S.TRANSISTOR	2SC4116-Y (TE85R)
Q31	1520000200	S.TRANSISTOR	2SB798-T2 DK
Q33	1590000680	S.TRANSISTOR	DTC114EU T107
Q34	1590001330	S.TRANSISTOR	DTA114EU T107
Q35	1590000680	S.TRANSISTOR	DTC114EU T107
Q36	1590000680	S.TRANSISTOR	DTC114EU T107
Q37	1560000530	S.FET	2SK880-GR (TE85R)
Q38	1590000430	S.TRANSISTOR	DTC144EU T107
D1	1790000820	S.DIODE	MA132K(TX)
D2	1750000270	S.DIODE	1SS301 (TE85R)
D3	1790000450	S.DIODE	MA862(TX)
D4	1710000310	DIODE	MI407

[MAIN-A UNIT]

REF. NO.	ORDER NO.	DESCRIPTION	
D5	1790000980	S.DIODE	MA742(TX)
D6	1790000980	S.DIODE	MA742(TX)
D9	1790000820	S.DIODE	MA132K(TX)
D11	1790001000	S.ZENER	MA8062-L(TX)
D12	1790000860	S.DIODE	MA133(TX)
D13	1790000450	S.DIODE	MA862(TX)
D14	1720000460	S.VARICAP	1SV167-T1
D15	1720000460	S.VARICAP	1SV167-T1
D16	1720000460	S.VARICAP	1SV167-T1
D17	1790000450	S.DIODE	MA862(TX)
D18	1710000730	S.DIODE	MI809-T11
D19	1710000730	S.DIODE	MI809-T11
D20	1790001010	S.ZENER	MA8043-L(TX)
D21	1750000270	S.DIODE	1SS301 (TE85R)
D22	1750000270	S.DIODE	1SS301 (TE85R)
D23	1750000260	S.DIODE	1SS352 (TPH3)
D24	1790001000	S.ZENER	MA8062-L(TX)
D25	1750000130	S.DIODE	DA204U T107
D26	1750000260	S.DIODE	1SS352 (TPH3)
F11	2020000550	CERAMIC	CFUM455E
F12	2010001490	XTAL	FL-185 UM-1 41.800MHz
X1	6050008220	XTAL	CR-411 UM-1 12.800MHz
X2	6070000100	DISCRI	CDBM455C18
X3	6050008170	XTAL	CR-405 UM-1 41.345MHz
L1	6200002000	S.COIL	NL 252018T-3R3J
L2	6200002420	S.COIL	NL 252018T-068J
L3	6200002600	S.COIL	NL 252018T-047J
L4	6200003880	S.COIL	NL 252018T-022J
L5	6200002590	S.COIL	NL 252018T-039J
L6	6200002600	S.COIL	NL 252018T-047J
L7	6170000180	COIL	LW-19
L8	6110001540	COIL	LA-234
L9	6110001550	COIL	LA-235
L10	6110001540	COIL	LA-234
L11	6170000180	COIL	LW-19
L12	6200002040	S.COIL	NL 252018T-101J
L13	6150003970	S.COIL	LS-457
L14	6200002640	S.COIL	NL 252018T-R15J
L15	6150003960	S.COIL	LS-455
L16	6150003960	S.COIL	LS-455
L17	6150003960	S.COIL	LS-455
L18	6200002420	S.COIL	NL 252018T-068J
L19	6200002630	S.COIL	NL 252018T-R10J
L20	6200002630	S.COIL	NL 252018T-R10J
L22	6110001550	COIL	LA-235
L23	6110001550	COIL	LA-235
L24	6200002420	S.COIL	NL 252018T-068J
L25	6200002410	S.COIL	NL 252018T-056J
L26	6200002590	S.COIL	NL 252018T-039J
L27	6200003880	S.COIL	NL 252018T-022J
L28	6200003880	S.COIL	NL 252018T-022J
L29	6200002640	S.COIL	NL 252018T-R15J
L30	6200002650	S.COIL	NL 252018T-R18J
L31	6110001540	COIL	LA-234
R1	7030003680	S.RESISTOR	ERJ3GEYJ 104 V (100 kΩ)
R2	7030003720	S.RESISTOR	ERJ3GEYJ 224 V (220 kΩ)
R3	7030003320	S.RESISTOR	ERJ3GEYJ 101 V (100 Ω)
R4	7030003560	S.RESISTOR	ERJ3GEYJ 103 V (10 kΩ)
R5	7030003640	S.RESISTOR	ERJ3GEYJ 473 V (47 kΩ)
R6	7030003440	S.RESISTOR	ERJ3GEYJ 102 V (1 kΩ)
R7	7030003440	S.RESISTOR	ERJ3GEYJ 102 V (1 kΩ)
R8	7030003320	S.RESISTOR	ERJ3GEYJ 101 V (100 Ω)
R9	7030003400	S.RESISTOR	ERJ3GEYJ 471 V (470 Ω)
R10	7030003400	S.RESISTOR	ERJ3GEYJ 471 V (470 Ω)
R11	7030003720	S.RESISTOR	ERJ3GEYJ 224 V (220 kΩ)
R12	7030003680	S.RESISTOR	ERJ3GEYJ 104 V (100 kΩ)
R13	7030003200	S.RESISTOR	ERJ3GEYJ 100 V (10 Ω)
R14	7030003680	S.RESISTOR	ERJ3GEYJ 104 V (100 kΩ)

S.=Surface mount

[MAIN-A UNIT]

REF. NO.	ORDER NO.	DESCRIPTION	
R15	7030003800	S.RESISTOR	ERJ3GEYJ 105 V (1 MΩ)
R16	7030003540	S.RESISTOR	ERJ3GEYJ 682 V (6.8 kΩ)
R17	7030003520	S.RESISTOR	ERJ3GEYJ 472 V (4.7 kΩ)
R18	7030003630	S.RESISTOR	ERJ3GEYJ 393 V (39 kΩ)
R19	7310003630	S.TRIMMER	EVM-1XSX50 BQ4 (473)
R20	7030003280	S.RESISTOR	ERJ3GEYJ 470 V (47 Ω)
R21	7030003280	S.RESISTOR	ERJ3GEYJ 470 V (47 Ω)
R22	7030003520	S.RESISTOR	ERJ3GEYJ 472 V (4.7 kΩ)
R23	7030003420	S.RESISTOR	ERJ3GEYJ 681 V (680 Ω)
R24	7030003280	S.RESISTOR	ERJ3GEYJ 470 V (47 Ω)
R25	7030003500	S.RESISTOR	ERJ3GEYJ 332 V (3.3 kΩ)
R26	7030003440	S.RESISTOR	ERJ3GEYJ 102 V (1 kΩ)
R27	7030003280	S.RESISTOR	ERJ3GEYJ 470 V (47 Ω)
R28	7030003420	S.RESISTOR	ERJ3GEYJ 681 V (680 Ω)
R29	7030003520	S.RESISTOR	ERJ3GEYJ 472 V (4.7 kΩ)
R30	7030003480	S.RESISTOR	ERJ3GEYJ 222 V (2.2 kΩ)
R31	7030003280	S.RESISTOR	ERJ3GEYJ 470 V (47 Ω)
R32	7030003370	S.RESISTOR	ERJ3GEYJ 271 V (270 Ω)
R33	7030003230	S.RESISTOR	ERJ3GEYJ 180 V (18 Ω)
R34	7030003370	S.RESISTOR	ERJ3GEYJ 271 V (270 Ω)
R35	7030003440	S.RESISTOR	ERJ3GEYJ 102 V (1 kΩ)
R36	7030003370	S.RESISTOR	ERJ3GEYJ 271 V (270 Ω)
R37	7030003230	S.RESISTOR	ERJ3GEYJ 180 V (18 Ω)
R38	7030003370	S.RESISTOR	ERJ3GEYJ 271 V (270 Ω)
R39	7520000080	S.POSISTOR	PTH9C23 BB 471Q-T
R40	7310003610	S.TRIMMER	EVM-1XSX50 B14 (103)
R41	7030003540	S.RESISTOR	ERJ3GEYJ 682 V (6.8 kΩ)
R42	7030001050	S.RESISTOR	MCR50JZHJ 22 Ω (220)
R44	7030001190	S.RESISTOR	MCR50JZHJ 330 Ω (331)
R45	7030001130	S.RESISTOR	MCR50JZHJ 100 Ω (101)
R46	7030000500	S.RESISTOR	MCR10EZJH 10 kΩ (103)
R47	7030000600	S.RESISTOR	MCR10EZJH 68 kΩ (683)
R48	7030000490	S.RESISTOR	MCR10EZJH 8.2 kΩ (822)
R49	7030000600	S.RESISTOR	MCR10EZJH 68 kΩ (683)
R51	7310003580	S.TRIMMER	EVM-1XSX50 B15 (104)
R52	7030003320	S.RESISTOR	ERJ3GEYJ 101 V (100 Ω)
R53	7030003530	S.RESISTOR	ERJ3GEYJ 582 V (5.8 kΩ)
R54	7030003560	S.RESISTOR	ERJ3GEYJ 103 V (10 kΩ)
R55	7030003540	S.RESISTOR	ERJ3GEYJ 682 V (6.8 kΩ)
R57	7030003320	S.RESISTOR	ERJ3GEYJ 101 V (100 Ω)
R58	7030003310	S.RESISTOR	ERJ3GEYJ 820 V (82 Ω)
R59	7030003520	S.RESISTOR	ERJ3GEYJ 472 V (4.7 kΩ)
R61	7030003640	S.RESISTOR	ERJ3GEYJ 473 V (47 kΩ)
R62	7030003320	S.RESISTOR	ERJ3GEYJ 101 V (100 Ω)
R63	7030003420	S.RESISTOR	ERJ3GEYJ 681 V (680 Ω)
R64	7030003440	S.RESISTOR	ERJ3GEYJ 102 V (1 kΩ)
R65	7030003320	S.RESISTOR	ERJ3GEYJ 101 V (100 Ω)
R66	7030003360	S.RESISTOR	ERJ3GEYJ 221 V (220 Ω)
R67	7030003560	S.RESISTOR	ERJ3GEYJ 103 V (10 kΩ)
R68	7030003550	S.RESISTOR	ERJ3GEYJ 822 V (8.2 kΩ)
R69	7030003520	S.RESISTOR	ERJ3GEYJ 472 V (4.7 kΩ)
R70	7030003680	S.RESISTOR	ERJ3GEYJ 104 V (100 kΩ)
R71	7030003680	S.RESISTOR	ERJ3GEYJ 104 V (100 kΩ)
R72	7030003680	S.RESISTOR	ERJ3GEYJ 104 V (100 kΩ)
R73	7030003320	S.RESISTOR	ERJ3GEYJ 101 V (100 Ω)
R74	7030003200	S.RESISTOR	ERJ3GEYJ 100 V (10 Ω)
R75	7030003320	S.RESISTOR	ERJ3GEYJ 101 V (100 Ω)
R76	7030003640	S.RESISTOR	ERJ3GEYJ 473 V (47 kΩ)
R77	7030003590	S.RESISTOR	ERJ3GEYJ 183 V (18 kΩ)
R79	7030003560	S.RESISTOR	ERJ3GEYJ 103 V (10 kΩ)
R80	7030003560	S.RESISTOR	ERJ3GEYJ 103 V (10 kΩ)
R81	7030003560	S.RESISTOR	ERJ3GEYJ 103 V (10 kΩ)
R82	7030003220	S.RESISTOR	ERJ3GEYJ 150 V (15 Ω)
R83	7030003320	S.RESISTOR	ERJ3GEYJ 101 V (100 Ω)
R84	7030003220	S.RESISTOR	ERJ3GEYJ 150 V (15 Ω)
R85	7030003320	S.RESISTOR	ERJ3GEYJ 101 V (100 Ω)
R86	7030003680	S.RESISTOR	ERJ3GEYJ 104 V (100 kΩ)
R87	7030003630	S.RESISTOR	ERJ3GEYJ 393 V (39 kΩ)
R89	7030003560	S.RESISTOR	ERJ3GEYJ 103 V (10 kΩ)
R90	7030003320	S.RESISTOR	ERJ3GEYJ 101 V (100 Ω)
R91	7030003440	S.RESISTOR	ERJ3GEYJ 102 V (1 kΩ)
R92	7030003650	S.RESISTOR	ERJ3GEYJ 583 V (58 kΩ)
R93	7030003280	S.RESISTOR	ERJ3GEYJ 470 V (47 Ω)
R95	7030000220	S.RESISTOR	MCR10EZJH 47 Ω (470)
R96	7030000220	S.RESISTOR	MCR10EZJH 47 Ω (470)
R97	7030003360	S.RESISTOR	ERJ3GEYJ 221 V (220 Ω)

[MAIN-A UNIT]

REF. NO.	ORDER NO.	DESCRIPTION	
R98	7030003680	S.RESISTOR	ERJ3GEYJ 104 V (100 kΩ)
R99	7030003680	S.RESISTOR	ERJ3GEYJ 104 V (100 kΩ)
R100	7030003410	S.RESISTOR	ERJ3GEYJ 561 V (560 Ω)
R101	7030003450	S.RESISTOR	ERJ3GEYJ 122 V (1.2 kΩ)
R103	7030003680	S.RESISTOR	ERJ3GEYJ 104 V (100 kΩ)
R104	7030003370	S.RESISTOR	ERJ3GEYJ 271 V (270 Ω)
R105	7030003560	S.RESISTOR	ERJ3GEYJ 103 V (10 kΩ)
R108	7030000420	S.RESISTOR	MCR10EZJH 2.2 kΩ (222)
R109	7030000100	S.RESISTOR	MCR10EZJH 4.7 Ω (4R7)
R110	7030003440	S.RESISTOR	ERJ3GEYJ 102 V (1 kΩ)
R112	7030003640	S.RESISTOR	ERJ3GEYJ 473 V (47 kΩ)
R113	7030003560	S.RESISTOR	ERJ3GEYJ 103 V (10 kΩ)
R114	7030003220	S.RESISTOR	ERJ3GEYJ 150 V (15 Ω)
R115	7030003680	S.RESISTOR	ERJ3GEYJ 104 V (100 kΩ)
R116	7510000470	S.THERMISTOR	TN20-2V221LT
R117	7310003610	S.TRIMMER	EVM-1XSX50 B14 (103)
R118	7030003630	S.RESISTOR	ERJ3GEYJ 393 V (39 kΩ)
R119	7030003680	S.RESISTOR	ERJ3GEYJ 104 V (100 kΩ)
R120	7030003640	S.RESISTOR	ERJ3GEYJ 473 V (47 kΩ)
R121	7030003640	S.RESISTOR	ERJ3GEYJ 473 V (47 kΩ)
R122	7030003200	S.RESISTOR	ERJ3GEYJ 100 V (10 Ω)
R123	7030001220	S.RESISTOR	MCR50JZHJ 580 Ω (581)
R124	7030003560	S.RESISTOR	ERJ3GEYJ 103 V (10 kΩ)
R125	7030003560	S.RESISTOR	ERJ3GEYJ 103 V (10 kΩ)
R126	7030003520	S.RESISTOR	ERJ3GEYJ 472 V (4.7 kΩ)
R127	7030003380	S.RESISTOR	ERJ3GEYJ 331 V (330 Ω)
R128	7030000140	S.RESISTOR	MCR10EZJH 10 Ω (100)
R129	7030003530	S.RESISTOR	ERJ3GEYJ 562 V (5.6 kΩ)
C1	4610001820	S.TRIMMER	TZBX4P300BA110T00
C2	4030007100	S.CERAMIC	C1808 CH 1H 560J-T-A
C3	4030006860	S.CERAMIC	C1808 JB 1H 102K-T-A
C4	4030007130	S.CERAMIC	C1808 CH 1H 101J-T-A
C5	4030007110	S.CERAMIC	C1808 CH 1H 680J-T-A
C6	4030006960	S.CERAMIC	C1808 CH 1H 050C-T-A
C7	4030006860	S.CERAMIC	C1808 JB 1H 102K-T-A
C8	4030006860	S.CERAMIC	C1808 JB 1H 102K-T-A
C9	4030006860	S.CERAMIC	C1808 JB 1H 102K-T-A
C10	4030006860	S.CERAMIC	C1808 JB 1H 102K-T-A
C11	4030006860	S.CERAMIC	C1808 JB 1H 102K-T-A
C12	4030006860	S.CERAMIC	C1808 JB 1H 102K-T-A
C13	4030006860	S.CERAMIC	C1808 JB 1H 102K-T-A
C14	4030006860	S.CERAMIC	C1808 JB 1H 102K-T-A
C15	4030006860	S.CERAMIC	C1808 JB 1H 102K-T-A
C16	4030006860	S.CERAMIC	C2012 JF 1C 105Z-T-A
C17	4510004630	S.ELECTROLITIC	ECEV1CA100R
C18	4030006860	S.CERAMIC	C1808 JB 1H 102K-T-A
C19	4030006860	S.CERAMIC	C1808 JB 1H 102K-T-A
C20	4030006660	S.CERAMIC	C1808 SL 1H 220J-T-A
C21	4030006860	S.CERAMIC	C1808 JB 1H 102K-T-A
C22	4030006860	S.CERAMIC	C1808 JB 1H 102K-T-A
C23	4030006860	S.CERAMIC	C1808 JB 1H 102K-T-A
C24	4030006570	S.CERAMIC	C1808 SL 1H 060D-T-A
C25	4030006610	S.CERAMIC	C1808 SL 1H 100D-T-A
C26	4030006860	S.CERAMIC	C1808 SL 1H 220J-T-A
C27	4030006620	S.CERAMIC	C1808 SL 1H 120J-T-A
C28	4030006860	S.CERAMIC	C1808 JB 1H 102K-T-A
C29	4030006660	S.CERAMIC	C1808 SL 1H 220J-T-A
C30	4030006540	S.CERAMIC	C1808 SL 1H 030C-T-A
C31	4030008440	S.CERAMIC	C1808 SL 1H 1R5C-T-A
C32	4030006510	S.CERAMIC	C1808 SL 1H 0R5C-T-A
C33	4030006860	S.CERAMIC	C1808 JB 1H 102K-T-A
C34	4030006860	S.CERAMIC	C1808 JB 1H 102K-T-A
C35	4030006860	S.CERAMIC	C1808 JB 1H 102K-T-A
C36	4030006860	S.CERAMIC	C1808 JB 1H 102K-T-A
C37	4550004140	S.TANTALUM	F95 1C106MWCAQ2
C38	4030006640	S.CERAMIC	C1808 SL 1H 180J-T-A
C39	4550004140	S.TANTALUM	F95 1C106MWCAQ2
C40	4030006640	S.CERAMIC	C1808 SL 1H 180J-T-A
C41	4550004140	S.TANTALUM	F95 1C106MWCAQ2
C42	4010003820	CERAMIC	DD08 SL 050C 500V
C43	4030006860	S.CERAMIC	C1808 JB 1H 102K-T-A
C44	4550004140	S.TANTALUM	F95 1C106MWCAQ2
C45	4030006860	S.CERAMIC	C1808 JB 1H 102K-T-A
C46	4550004140	S.TANTALUM	F95 1C106MWCAQ2

S.=Surface mount

[MAIN-A UNIT]

REF. NO.	ORDER NO.	DESCRIPTION
C47	4010004120	CERAMIC DD07 B 102K 500V
C49	4010005330	CERAMIC DD05 SL 380K 500V
C50	4030006860	S.CERAMIC C1608 JB 1H 102K-T-A
C51	4030006860	S.CERAMIC C1608 JB 1H 102K-T-A
C52	4010005330	CERAMIC DD05 SL 380K 500V
C53	4010003940	CERAMIC DD06 SL 300K 500V
C54	4030006860	S.CERAMIC C1608 JB 1H 102K-T-A
C55	4030006860	S.CERAMIC C1608 JB 1H 102K-T-A
C56	4030006860	S.CERAMIC C1608 JB 1H 102K-T-A
C57	4030006860	S.CERAMIC C1608 JB 1H 102K-T-A
C58	4510004600	ELECTROLITIC 18 MV 1000 HC
C59	4030004760	S.CERAMIC C2012 JF 1E 104Z-T-A
C60	4030008630	S.CERAMIC C1608 JF 1C 104Z-T-A
C61	4030006590	S.CERAMIC C1608 SL 1H 080D-T-A
C62	4030006590	S.CERAMIC C1608 SL 1H 080D-T-A
C63	4030006860	S.CERAMIC C1608 JB 1H 102K-T-A
C64	4030006860	S.CERAMIC C1608 JB 1H 102K-T-A
C65	4510004630	S.ELECTROLITIC ECEV1CA100R
C66	4030006860	S.CERAMIC C1608 JB 1H 102K-T-A
C67	4030006860	S.CERAMIC C1608 JB 1H 102K-T-A
C68	4030006860	S.CERAMIC C1608 JB 1H 102K-T-A
C69	4030006860	S.CERAMIC C1608 JB 1H 102K-T-A
C70	4030006540	S.CERAMIC C1608 SL 1H 030C-T-A
C71	4030006580	S.CERAMIC C1608 SL 1H 070D-T-A
C72	4030006860	S.CERAMIC C1608 JB 1H 102K-T-A
C73	4030006860	S.CERAMIC C1608 JB 1H 102K-T-A
C74	4030006700	S.CERAMIC C1608 SL 1H 390J-T-A
C75	4030006860	S.CERAMIC C1608 JB 1H 102K-T-A
C76	4030006860	S.CERAMIC C1608 JB 1H 102K-T-A
C77	4030006580	S.CERAMIC C1608 SL 1H 070D-T-A
C78	4030006860	S.CERAMIC C1608 JB 1H 102K-T-A
C79	4030006560	S.CERAMIC C1608 SL 1H 050C-T-A
C80	4030006890	S.CERAMIC C1608 SL 1H 330J-T-A
C82	4030006510	S.CERAMIC C1608 SL 1H 0R5C-T-A
C83	4030006860	S.CERAMIC C1608 SL 1H 220J-T-A
C84	4030006530	S.CERAMIC C1608 SL 1H 020C-T-A
C85	4030006860	S.CERAMIC C1608 JB 1H 102K-T-A
C86	4030006510	S.CERAMIC C1608 SL 1H 0R5C-T-A
C87	4030006890	S.CERAMIC C1608 SL 1H 330J-T-A
C89	4030006860	S.CERAMIC C1608 JB 1H 102K-T-A
C90	4030006860	S.CERAMIC C1608 JB 1H 102K-T-A
C91	4030006860	S.CERAMIC C1608 JB 1H 102K-T-A
C92	4030006610	S.CERAMIC C1608 SL 1H 100D-T-A
C93	4030006700	S.CERAMIC C1608 SL 1H 390J-T-A
C94	4030006660	S.CERAMIC C1608 SL 1H 220J-T-A
C95	4030006860	S.CERAMIC C1608 JB 1H 102K-T-A
C96	4030006860	S.CERAMIC C1608 JB 1H 102K-T-A
C97	4030006860	S.CERAMIC C1608 JB 1H 102K-T-A
C98	4030006860	S.CERAMIC C1608 JB 1H 102K-T-A
C100	4030006860	S.CERAMIC C1608 JB 1H 102K-T-A
C101	4030006860	S.CERAMIC C1608 JB 1H 102K-T-A
C102	4030006860	S.CERAMIC C1608 JB 1H 102K-T-A
C103	4030006860	S.CERAMIC C1608 JB 1H 102K-T-A
C104	4030006750	S.CERAMIC C1608 SL 1H 101J-T-A
C107	4030006520	S.CERAMIC C1608 SL 1H 010C-T-A
C108	4030006830	S.CERAMIC C1608 SL 1H 150J-T-A
C110	4030006860	S.CERAMIC C1608 JB 1H 102K-T-A
C111	4030006670	S.CERAMIC C1608 SL 1H 270J-T-A
C112	4030006860	S.CERAMIC C1608 JB 1H 102K-T-A
C113	4030006860	S.CERAMIC C1608 JB 1H 102K-T-A
C114	4030006860	S.CERAMIC C1608 JB 1H 102K-T-A
C115	4030006860	S.CERAMIC C1608 JB 1H 102K-T-A
C116	4030006860	S.CERAMIC C1608 SL 1H 220J-T-A
C117	4030006860	S.CERAMIC C1608 SL 1H 220J-T-A
C118	4030006750	S.CERAMIC C1608 SL 1H 101J-T-A
C119	4030006830	S.CERAMIC C1608 SL 1H 150J-T-A
C120	4030006830	S.CERAMIC C1608 JF 1C 104Z-T-A
C121	4030006860	S.CERAMIC C1608 JB 1H 102K-T-A
C122	4030006690	S.CERAMIC C1608 SL 1H 330J-T-A
C123	4030006530	S.CERAMIC C1608 SL 1H 020C-T-A
C124	4030006570	S.CERAMIC C1608 SL 1H 060D-T-A
C125	4030006860	S.CERAMIC C1608 JB 1H 102K-T-A
C127	4030006710	S.CERAMIC C1608 SL 1H 470J-T-A
C128	4030006710	S.CERAMIC C1608 SL 1H 470J-T-A
C129	4030006710	S.CERAMIC C1608 SL 1H 470J-T-A
C130	4030006710	S.CERAMIC C1608 SL 1H 470J-T-A

[MAIN-A UNIT]

REF. NO.	ORDER NO.	DESCRIPTION
C131	4030006710	S.CERAMIC C1608 SL 1H 470J-T-A
C132	4030006710	S.CERAMIC C1608 SL 1H 470J-T-A
C133	4030006710	S.CERAMIC C1608 SL 1H 470J-T-A
C134	4030006710	S.CERAMIC C1608 SL 1H 470J-T-A
C135	4030006710	S.CERAMIC C1608 SL 1H 470J-T-A
C136	4030006710	S.CERAMIC C1608 SL 1H 470J-T-A
C137	4030006710	S.CERAMIC C1608 SL 1H 470J-T-A
C138	4030006710	S.CERAMIC C1608 SL 1H 470J-T-A
C139	4030006710	S.CERAMIC C1608 SL 1H 470J-T-A
C140	4030006710	S.CERAMIC C1608 SL 1H 470J-T-A
C142	4030006710	S.CERAMIC C1608 SL 1H 470J-T-A
C143	4030008630	S.CERAMIC C1608 JF 1C 104Z-T-A
C144	4030008630	S.CERAMIC C1608 JF 1C 104Z-T-A
C145	4030008630	S.CERAMIC C1608 JF 1C 104Z-T-A
C146	4030008630	S.CERAMIC C1608 JF 1C 104Z-T-A
C147	4030008630	S.CERAMIC C1608 JF 1C 104Z-T-A
C148	4030008630	S.CERAMIC C1608 JF 1C 104Z-T-A
C149	4030008630	S.CERAMIC C1608 JF 1C 104Z-T-A
C150	4030008630	S.CERAMIC C1608 JF 1C 104Z-T-A
C154	4030008680	S.CERAMIC C1608 JB 1H 102K-T-A
C155	4510005950	S.ELECTROLITIC ECEV1HA0R1R
C158	4030008630	S.CERAMIC C1608 JF 1C 104Z-T-A
C159	4510004590	ELECTROLITIC 16 MV 470 HC
C160	4510005370	S.ELECTROLITIC ECEV1AA221P
C161	4030008760	S.CERAMIC C2012 X7R 1C 104K-T-A
C163	4030006590	S.CERAMIC C1608 SL 1H 080D-T-A
C165	4030008620	S.CERAMIC C1608 SL 1H 120J-T-A
C166	4030006530	S.CERAMIC C1608 SL 1H 020C-T-A
C167	4030006900	S.CERAMIC C1608 JB 1E 103K-T-A
C168	4550004080	S.TANTALUM F95 0J106MSAAQ2
C170	4010003910	CERAMIC DD06 SL 220K 500V
C171	4550004080	S.TANTALUM F95 0J106MSAAQ2
C172	4550004330	S.TANTALUM F95 1C336MGC
W4	7030003860	S.JUMPER ERJ3GE JPW V
J1	6510014710	CONNECTOR 52330-1017
J2	6510014710	CONNECTOR 52330-1017
J3	6510014960	S.CONNECTOR B2B-ZR-SM3-TF
J4	6510014960	S.CONNECTOR B2B-ZR-SM3-TF
J5	6450001330	CONNECTOR HSJ1332-01-020 [SP-1]
J6	6510007080	CONNECTOR PI28A-02M
J7	6510014790	CONNECTOR 53253-0210
EP1	0910039084	PCB B 3803D

[PLL-A BOARD]

REF. NO.	ORDER NO.	DESCRIPTION
IC1	1130005700	S.IC M56760FP
IC2	1130004200	S.IC TC4S66F (TE85R)
Q2	1560000530	S.FET 2SK880-GR (TE85R)
Q3	1530003010	S.TRANSISTOR 2SC4117-GR (TE85R)
Q5	1590001810	S.TRANSISTOR UMH10 TN
Q6	1560000490	S.FET 2SK508 K52 T2B
Q7	1530002940	S.TRANSISTOR 2SC4228-T2 R44
Q8	1530002940	S.TRANSISTOR 2SC4228-T2 R44
D1	1720000220	S.VARICAP 1SV166-T2B
D2	1720000460	S.VARICAP 1SV167-T1
L1	6200001560	S.COIL LER 015T R68M
L2	6200001570	S.COIL LER 015T 1R0M
L3	6200002600	S.COIL NL 252018T-047J
L4	6200001570	S.COIL LER 015T 1R0M
L5	6200001570	S.COIL LER 015T 1R0M

S.=Surface mount

[PLL-A BOARD]

REF. NO.	ORDER NO.	DESCRIPTION	
R1	7030003640	S.RESISTOR	ERJ3GEYJ 473 V (47 kΩ)
R2	7030003440	S.RESISTOR	ERJ3GEYJ 102 V (1 kΩ)
R3	7030003510	S.RESISTOR	ERJ3GEYJ 392 V (3.9 kΩ)
R7	7030003540	S.RESISTOR	ERJ3GEYJ 682 V (6.8 kΩ)
R8	7030003410	S.RESISTOR	ERJ3GEYJ 561 V (560 Ω)
R9	7030003480	S.RESISTOR	ERJ3GEYJ 222 V (2.2 kΩ)
R10	7030003320	S.RESISTOR	ERJ3GEYJ 101 V (100 Ω)
R11	7030003360	S.RESISTOR	ERJ3GEYJ 221 V (220 Ω)
R12	7030000460	S.RESISTOR	MCR10EZHJ 4.7 kΩ (472)
R13	7030003480	S.RESISTOR	ERJ3GEYJ 222 V (2.2 kΩ)
R14	7030003520	S.RESISTOR	ERJ3GEYJ 472 V (4.7 kΩ)
R15	7030003450	S.RESISTOR	ERJ3GEYJ 122 V (1.2 kΩ)
R16	7030003520	S.RESISTOR	ERJ3GEYJ 472 V (4.7 kΩ)
R19	7030003280	S.RESISTOR	ERJ3GEYJ 470 V (47 Ω)
R20	7030003280	S.RESISTOR	ERJ3GEYJ 470 V (47 Ω)
R21	7030003400	S.RESISTOR	ERJ3GEYJ 471 V (470 Ω)
R22	7030003500	S.RESISTOR	ERJ3GEYJ 332 V (3.3 kΩ)
R23	7030003410	S.RESISTOR	ERJ3GEYJ 561 V (560 Ω)
R24	7030003380	S.RESISTOR	ERJ3GEYJ 331 V (330 Ω)
R28	7030003500	S.RESISTOR	ERJ3GEYJ 332 V (3.3 kΩ)
R29	7030003410	S.RESISTOR	ERJ3GEYJ 561 V (560 Ω)
R30	7030003360	S.RESISTOR	ERJ3GEYJ 221 V (220 Ω)
R31	7030003560	S.RESISTOR	ERJ3GEYJ 103 V (10 kΩ)
R32	7030003320	S.RESISTOR	ERJ3GEYJ 101 V (100 Ω)
R33	7030003480	S.RESISTOR	ERJ3GEYJ 222 V (2.2 kΩ)
C1	4030006860	S.CERAMIC	C1608 JB 1H 102K-T-A
C3	4030006850	S.CERAMIC	C1608 JB 1H 471K-T-A
C5	4030008760	S.CERAMIC	C2012 X7R 1C 104K-T-A
C6	4030006860	S.CERAMIC	C2012 JF 1C 105Z-T-A
C7	4550002980	S.TANTALUM	TEMSVA 1C 225M-8L
C8	4550002980	S.TANTALUM	TEMSVA 1C 225M-8L
C9	4030006890	S.CERAMIC	C1608 JF 1H 103Z-T-A
C10	4550000530	S.TANTALUM	TESVA 1V 104M1-8L
C11	4030006860	S.CERAMIC	C1608 JB 1H 102K-T-A
C13	4030007150	S.CERAMIC	C1608 CH 1H 151J-T-A
C14	4030006860	S.CERAMIC	C1608 JB 1H 102K-T-A
C15	4030006970	S.CERAMIC	C1608 CH 1H 060D-T-A
C16	4030006910	S.CERAMIC	C1608 CH 1H 0R5C-T-A
C19	4030006900	S.CERAMIC	C1608 JB 1E 103K-T-A
C20	4030006860	S.CERAMIC	C1608 JB 1H 102K-T-A
C22	4030006860	S.CERAMIC	C1608 JB 1H 102K-T-A
C23	4030006860	S.CERAMIC	C1608 JB 1H 102K-T-A
C24	4030006860	S.CERAMIC	C1608 JB 1H 102K-T-A
C25	4030006670	S.CERAMIC	C1608 SL 1H 270J-T-A
C26	4030006850	S.CERAMIC	C1608 JB 1H 471K-T-A
C27	4550000530	S.TANTALUM	TESVA 1V 104M1-8L
W1	7030003860	S.JUMPER	ERJ3GE JPW V
EP1	0910042323	PCB	B 3739C
EP2	6510008580	LEADFRAM	PT2.0-0.7-16.5 (K)

[VCO-A BOARD]

REF. NO.	ORDER NO.	DESCRIPTION	
Q1	1560000490	S.FET	2SK508 K52 T2B
Q2	1590001620	S.TRANSISTOR	UN521F(TX)
D1	1720000460	S.VARICAP	1SV167-T1
L1	6200001580	S.COIL	LER 015T 1R8M
L3	6200001580	S.COIL	LER 015T 1R8M
L4	6130002620	S.COIL	LB-291
L5	6200001230	S.COIL	MLF2012A 1R0M-T
R1	7030003320	S.RESISTOR	ERJ3GEYJ 101 V (100 Ω)

[VCO-A BOARD]

REF. NO.	ORDER NO.	DESCRIPTION	
R2	7030003670	S.RESISTOR	ERJ3GEYJ 823 V (82 kΩ)
R3	7030003400	S.RESISTOR	ERJ3GEYJ 471 V (470 Ω)
R4	7030003280	S.RESISTOR	ERJ3GEYJ 470 V (47 Ω)
R5	7030003600	S.RESISTOR	ERJ3GEYJ 223 V (22 kΩ)
R6	7030003320	S.RESISTOR	ERJ3GEYJ 101 V (100 Ω)
R7	7030003320	S.RESISTOR	ERJ3GEYJ 101 V (100 Ω)
R8	7030003400	S.RESISTOR	ERJ3GEYJ 471 V (470 Ω)
C1	4030006860	S.CERAMIC	C1608 JB 1H 102K-T-A
C2	4030006860	S.CERAMIC	C1608 JB 1H 102K-T-A
C3	4030006860	S.CERAMIC	C1608 JB 1H 102K-T-A
C4	4030006860	S.CERAMIC	C1608 JB 1H 102K-T-A
C5	4030006860	S.CERAMIC	C1608 JB 1H 102K-T-A
C6	4030006860	S.CERAMIC	C1608 JB 1H 102K-T-A
C7	4030006860	S.CERAMIC	C1608 JB 1H 102K-T-A
C8	4030006860	S.CERAMIC	C1608 JB 1H 102K-T-A
C9	4030006850	S.CERAMIC	C1608 JB 1H 471K-T-A
C10	4030006920	S.CERAMIC	C1608 CH 1H 010C-T-A
C11	4030006860	S.CERAMIC	C1608 JB 1H 102K-T-A
C12	4030007080	S.CERAMIC	C1608 CH 1H 390J-T-A
EP1	0910042331	PCB	B 3546A
EP2	6510008580	LEADFRAM	PT2.0-0.7-16.5 (K)

[YGR-A BOARD]

REF. NO.	ORDER NO.	DESCRIPTION	
Q1	1530002340	S.TRANSISTOR	2SC2954-T2B
Q2	1530002340	S.TRANSISTOR	2SC2954-T2B
D1	1790000860	S.DIODE	MA133(TX)
D2	1790000590	S.DIODE	MA110(TW)
L1	6200002590	S.COIL	NL 252018T-039J
L2	6200002430	S.COIL	NL 252018T-082J
L3	6200002580	S.COIL	NL 252018T-033J
L4	6200002420	S.COIL	NL 252018T-068J
R1	7030003450	S.RESISTOR	ERJ3GEYJ 122 V (1.2 kΩ)
R2	7030003560	S.RESISTOR	ERJ3GEYJ 103 V (10 kΩ)
R3	7030003280	S.RESISTOR	ERJ3GEYJ 470 V (47 Ω)
R4	7030003680	S.RESISTOR	ERJ3GEYJ 104 V (100 kΩ)
R5	7030003430	S.RESISTOR	ERJ3GEYJ 821 V (820 Ω)
R6	7030003440	S.RESISTOR	ERJ3GEYJ 102 V (1 kΩ)
R7	7030003280	S.RESISTOR	ERJ3GEYJ 470 V (47 Ω)
C1	4030006860	S.CERAMIC	C1608 SL 1H 220J-T-A
C2	4030006540	S.CERAMIC	C1608 SL 1H 030C-T-A
C4	4030006860	S.CERAMIC	C1608 JB 1H 102K-T-A
C5	4030006860	S.CERAMIC	C1608 JB 1H 102K-T-A
C6	4030006810	S.CERAMIC	C1608 SL 1H 100D-T-A
C7	4030006860	S.CERAMIC	C1608 SL 1H 300J-T-A
C8	4030006860	S.CERAMIC	C1608 JB 1H 102K-T-A
C9	4030006860	S.CERAMIC	C1608 JB 1H 102K-T-A
C10	4030006860	S.CERAMIC	C1608 SL 1H 220J-T-A
C11	4030006860	S.CERAMIC	C1608 JB 1H 102K-T-A
EP1	0910042342	PCB	B 3543B
EP2	6910003110	LEADFRAM	HFB2.0-0.7-8 (N)

S.=Surface mount

[APC-A BOARD]

REF. NO.	ORDER NO.	DESCRIPTION	
IC1	1110003340	S.IC	μPC358GR-T1
Q1	1530002280	S.TRANSISTOR	2SC4081 T107 S
Q2	1590001320	S.TRANSISTOR	DTC143ZU T107
D1	1790001000	S.ZENER	MA8062-L(TX)
R1	7030003560	S.RESISTOR	ERJ3GEYJ 103 V (10 kΩ)
R2	7030003560	S.RESISTOR	ERJ3GEYJ 103 V (10 kΩ)
R3	7030003560	S.RESISTOR	ERJ3GEYJ 103 V (10 kΩ)
R4	7030003320	S.RESISTOR	ERJ3GEYJ 101 V (100 Ω)
R5	7030003790	S.RESISTOR	ERJ3GEYJ 824 V (820 kΩ)
R6	7030003600	S.RESISTOR	ERJ3GEYJ 223 V (22 kΩ)
R7	7030003320	S.RESISTOR	ERJ3GEYJ 101 V (100 Ω)
R8	7030003640	S.RESISTOR	ERJ3GEYJ 473 V (47 kΩ)
R9	7030003570	S.RESISTOR	ERJ3GEYJ 123 V (12 kΩ)
R10	7030003720	S.RESISTOR	ERJ3GEYJ 224 V (220 kΩ)
R11	7030003640	S.RESISTOR	ERJ3GEYJ 473 V (47 kΩ)
R12	7030003640	S.RESISTOR	ERJ3GEYJ 473 V (47 kΩ)
C1	4030006860	S.CERAMIC	C1608 JB 1H 102K-T-A
C2	4550004230	S.TANTALUM	F95 1A106MTAAQ2
C3	4030006860	S.CERAMIC	C1608 JB 1H 102K-T-A
C4	4030006860	S.CERAMIC	C1608 JB 1H 102K-T-A
C5	4030006860	S.CERAMIC	C1608 JB 1H 102K-T-A
C6	4030006860	S.CERAMIC	C1608 JB 1H 102K-T-A
C7	4030006860	S.CERAMIC	C1608 JB 1H 102K-T-A
C8	4030006860	S.CERAMIC	C1608 JB 1H 102K-T-A
EP1	0910042352	PCB	B 3542B
EP2	6910003110	LEADFRAM	HFB2.0-0.7-8 (N)

[IF-A BOARD]

REF. NO.	ORDER NO.	DESCRIPTION	
IC1	1110002780	S.IC	MC3371DR
IC2	1110002750	S.IC	TA75S01F (TE85R)
IC3	1110000960	S.IC	NJM4558M(T1)
Q1	1590001450	S.FET	2SJ144-GR (TE85R)
Q5	1560000540	S.FET	2SK880-Y (TE85R)
Q7	1590001800	S.TRANSISTOR	UMH2 TN
Q8	1530002690	S.TRANSISTOR	2SC4116-GR (TE85R)
Q9	1590001790	S.TRANSISTOR	UN511D(TX)
D1	1790000980	S.DIODE	MA742(TX)
D2	1790000980	S.DIODE	MA742(TX)
L1	6200002090	S.COIL	ELJFB 681K-F
R1	7030003760	S.RESISTOR	ERJ3GEYJ 474 V (470 kΩ)
R2	7030003520	S.RESISTOR	ERJ3GEYJ 472 V (4.7 kΩ)
R5	7030003480	S.RESISTOR	ERJ3GEYJ 222 V (2.2 kΩ)
R6	7030003400	S.RESISTOR	ERJ3GEYJ 471 V (470 Ω)
R7	7030003680	S.RESISTOR	ERJ3GEYJ 104 V (100 kΩ)
R10	7030003660	S.RESISTOR	ERJ3GEYJ 683 V (68 kΩ)
R11	7030003800	S.RESISTOR	ERJ3GEYJ 105 V (1 MΩ)
R12	7030003660	S.RESISTOR	ERJ3GEYJ 683 V (68 kΩ)
R13	7030003680	S.RESISTOR	ERJ3GEYJ 104 V (100 kΩ)
R14	7030003560	S.RESISTOR	ERJ3GEYJ 103 V (10 kΩ)
R15	7030003570	S.RESISTOR	ERJ3GEYJ 123 V (12 kΩ)
R16	7030003830	S.RESISTOR	ERJ3GEYJ 185 V (1.8 MΩ)
R18	7030003600	S.RESISTOR	ERJ3GEYJ 223 V (22 kΩ)
R19	7030003510	S.RESISTOR	ERJ3GEYJ 392 V (3.9 kΩ)

[IF-A BOARD]

REF. NO.	ORDER NO.	DESCRIPTION	
R20	7030003800	S.RESISTOR	ERJ3GEYJ 105 V (1 MΩ)
R21	7030003800	S.RESISTOR	ERJ3GEYJ 105 V (1 MΩ)
R22	7030003560	S.RESISTOR	ERJ3GEYJ 103 V (10 kΩ)
R23	7030003320	S.RESISTOR	ERJ3GEYJ 101 V (100 Ω)
R24	7030003560	S.RESISTOR	ERJ3GEYJ 103 V (10 kΩ)
R26	7030003680	S.RESISTOR	ERJ3GEYJ 104 V (100 kΩ)
R27	7030003720	S.RESISTOR	ERJ3GEYJ 224 V (220 kΩ)
R28	7030003760	S.RESISTOR	ERJ3GEYJ 474 V (470 kΩ)
R29	7030003630	S.RESISTOR	ERJ3GEYJ 393 V (39 kΩ)
R30	7030003630	S.RESISTOR	ERJ3GEYJ 393 V (39 kΩ)
R31	7030003630	S.RESISTOR	ERJ3GEYJ 393 V (39 kΩ)
R32	7510000820	S.THERMISTOR	NTCCS2012 4CH 154KC-T
C1	4030006900	S.CERAMIC	C1608 JB 1E 103K-T-A
C2	4030006860	S.CERAMIC	C1608 JB 1H 102K-T-A
C3	4030006860	S.CERAMIC	C1608 SL 1H 330J-T-A
C4	4030006860	S.CERAMIC	C1608 JB 1H 102K-T-A
C5	4030006860	S.CERAMIC	C1608 JB 1H 102K-T-A
C6	4030006850	S.CERAMIC	C1608 JB 1H 471K-T-A
C7	4030006850	S.CERAMIC	C1608 JB 1H 471K-T-A
C8	4030006860	S.CERAMIC	C2012 JF 1C 105Z-T-A
C9	4030006900	S.CERAMIC	C1608 JB 1E 103K-T-A
C10	4550004700	S.TANTALUM	F95 1V474MQAAQ2
C11	4030006900	S.CERAMIC	C1608 JB 1E 103K-T-A
C12	4030006870	S.CERAMIC	C1608 JB 1H 222K-T-A
C13	4030009580	S.CERAMIC	C1608 JB 1H 681K-T-A
C14	4030006900	S.CERAMIC	C1608 JB 1E 103K-T-A
C15	4030006900	S.CERAMIC	C1608 JB 1E 103K-T-A
C16	4030006900	S.CERAMIC	C1608 JB 1E 103K-T-A
C17	4030006470	S.CERAMIC	C2012 JB 1H 153K-T-A
C18	4030006830	S.CERAMIC	C1608 JF 1C 104Z-T-A
C19	4030006630	S.CERAMIC	C1608 JF 1C 104Z-T-A
C20	4030006900	S.CERAMIC	C1608 JB 1E 103K-T-A
C21	4030006780	S.CERAMIC	C1608 SL 1H 181J-T-A
C22	4030006900	S.CERAMIC	C1608 JB 1E 103K-T-A
C23	4030006900	S.CERAMIC	C1608 JB 1E 103K-T-A
C24	4030006830	S.CERAMIC	C1608 JF 1C 104Z-T-A
C25	4030006830	S.CERAMIC	C1608 JF 1C 104Z-T-A
C26	4030006830	S.CERAMIC	C1608 JF 1C 104Z-T-A
C27	4030006880	S.CERAMIC	C1608 JB 1H 472K-T-A
C28	4030006870	S.CERAMIC	C1608 JB 1H 222K-T-A
C29	4030006880	S.CERAMIC	C1608 JB 1H 472K-T-A
C30	4030006830	S.CERAMIC	C1608 SL 1H 331J-T-A
EP1	0910042430	PCB	B 4206
EP2	6910003110	LEADFRAM	HFB2.0-0.7-8 (N)

[MAIN-B UNIT]

REF. NO.	ORDER NO.	DESCRIPTION	
IC1	1130004200	S.IC	TC4S68F (TE85R)
IC2	1150000750	IC	SC1054
IC3	1110001971	S.IC	μPC1876G-T1
IC4	1130005810	S.IC	BU4094BF-T1
IC5	1130005810	S.IC	BU4094BF-T1
IC7	1130005820	S.IC	TC4S584F(TE85R)
IC8	1110003090	IC	LA4425A
IC9	1110002750	S.IC	TA75S01F (TE85R)
Q2	1530002840	S.TRANSISTOR	2SC4116-Y (TE85R)
Q3	1510000780	S.TRANSISTOR	2SA1586-Y (TE85R)
Q4	1560000540	S.FET	2SK880-Y (TE85R)
Q5	1530002840	S.TRANSISTOR	2SC4116-Y (TE85R)
Q6	1530002920	S.TRANSISTOR	2SC4226-T2 R25
Q7	1530002920	S.TRANSISTOR	2SC4226-T2 R25
Q8	1520000860	TRANSISTOR	2SB1184 Q
Q9	1530002920	S.TRANSISTOR	2SC4226-T2 R25
Q10	1580000480	S.FET	3SK184-S (TX)
Q11	1590000430	S.TRANSISTOR	DTC144EU T107
Q12	1560000650	S.FET	2SK1577-2-T7

S.=Surface mount

[MAIN-B UNIT]

REF. NO.	ORDER NO.	DESCRIPTION	
Q13	1580000480	S.FET	3SK184-S (TX)
Q14	1580000490	S.FET	3SK186-2-T7
Q15	1590000430	S.TRANSISTOR	DTC144EU T107
Q16	1580000480	S.FET	3SK184-S (TX)
Q17	1530002920	S.TRANSISTOR	2SC4226-T2 R25
Q18	1590000430	S.TRANSISTOR	DTC144EU T107
Q19	1590000430	S.TRANSISTOR	DTC144EU T107
Q20	1530002840	S.TRANSISTOR	2SC4116-Y (TE85R)
Q21	1510000690	S.TRANSISTOR	2SA1734 (TE12R)
Q22	1590000430	S.TRANSISTOR	DTC144EU T107
Q23	1590001040	S.TRANSISTOR	DTA113ZU T107
Q24	1590000430	S.TRANSISTOR	DTC144EU T107
Q25	1590001040	S.TRANSISTOR	DTA113ZU T107
Q26	1590000430	S.TRANSISTOR	DTC144EU T107
Q27	1590001040	S.TRANSISTOR	DTA113ZU T107
Q28	1590000430	S.TRANSISTOR	DTC144EU T107
Q29	1590001040	S.TRANSISTOR	DTA113ZU T107
Q31	1590000680	S.TRANSISTOR	DTC114EU T107
Q32	1510000690	S.TRANSISTOR	2SA1734 (TE12R)
Q33	1590001600	S.TRANSISTOR	UMD3 TL
Q34	1590000680	S.TRANSISTOR	DTC114EU T107
Q35	1590001330	S.TRANSISTOR	DTA114EU T107
Q36	1590000680	S.TRANSISTOR	DTC114EU T107
Q37	1590000680	S.TRANSISTOR	DTC114EU T107
Q38	1560000530	S.FET	2SK880-GR (TE85R)
Q39	1530002840	S.TRANSISTOR	2SC4116-Y (TE85R)
Q40	1590000430	S.TRANSISTOR	DTC144EU T107
Q45	1530002940	S.TRANSISTOR	2SC4228-T2 R44
D2	1790000820	S.DIODE	MA132K(TX)
D3	1750000260	S.DIODE	1SS352 (TPH3)
D4	1790000620	S.DIODE	MA77(TW)
D5	1790000450	S.DIODE	MA862(TX)
D6	1710000310	DIODE	MI407
D7	1790000980	S.DIODE	MA742(TX)
D8	1790000980	S.DIODE	MA742(TX)
D9	1790000700	DIODE	DSA3A1
D11	1790000820	S.DIODE	MA132K(TX)
D13	1790001000	S.ZENER	MA8062-L(TX)
D15	1790000450	S.DIODE	MA862(TX)
D16	1790000450	S.DIODE	MA862(TX)
D17	1710000730	S.DIODE	MI809-T11
D18	1710000730	S.DIODE	MI809-T11
D19	1790001010	S.ZENER	MA8043-L(TX)
D20	1720000270	S.VARICAP	1SV217 (TPH2)
D21	1720000270	S.VARICAP	1SV217 (TPH2)
D22	1750000270	S.DIODE	1SS301 (TE85R)
D23	1750000270	S.DIODE	1SS301 (TE85R)
D24	1750000270	S.DIODE	1SS301 (TE85R)
D25	1750000270	S.DIODE	1SS301 (TE85R)
D27	1720000270	S.VARICAP	1SV217 (TPH2)
D28	1750000260	S.DIODE	1SS352 (TPH3)
FI1	2020000550	CERAMIC	CFUM455E
FI2	2010001500	XTAL	FL-186 UM-1 42.250MHz
FI3	2040000570	DIELECTR	TUCF2A0435W014B03
FI4	2040000570	DIELECTR	TUCF2A0435W014B03
X1	6050007410	XTAL	CR-335
X2	6070000100	DISCRI	CDBM455C18
X3	6050008180	XTAL	CR-406 UM-1 42.705MHz
L1	6200002580	S.COIL	NL 252018T-033J
L2	6200003560	S.COIL	NL 252018T-018J
L3	6200003560	S.COIL	NL 252018T-018J
L4	6200002000	S.COIL	NL 252018T-3R3J
L5	6200002420	S.COIL	NL 252018T-086J
L7	6170000180	COIL	LW-19
L8	6110001520	COIL	LA-232
L12	6150003980	S.COIL	LS-458
L13	6200003560	S.COIL	NL 252018T-018J
L14	6200002590	S.COIL	NL 252018T-039J

[MAIN-B UNIT]

REF. NO.	ORDER NO.	DESCRIPTION	
L15	6200001980	S.COIL	NL 252018T-1R0J
L16	6200002600	S.COIL	NL 252018T-047J
L17	6200003880	S.COIL	NL 252018T-022J
L18	6200003880	S.COIL	NL 252018T-022J
L19	6200002600	S.COIL	NL 252018T-047J
L20	6200003880	S.COIL	NL 252018T-022J
L21	6200003560	S.COIL	NL 252018T-018J
L22	6200003860	S.COIL	NL 252018T-010J
L24	6110001520	COIL	LA-232
L25	6110001520	COIL	LA-232
L26	6200003880	S.COIL	NL 252018T-022J
L27	6200003880	S.COIL	NL 252018T-022J
L28	6200002640	S.COIL	NL 252018T-R15J
L29	6150003980	S.COIL	LS-455
L30	6150003960	S.COIL	LS-455
L31	6200002600	S.COIL	NL 252018T-047J
L32	6200003860	S.COIL	NL 252018T-010J
L33	6200002610	S.COIL	NL 252018T-R47J
L34	6200002180	S.COIL	NL 252018T-R12J
L40	6110001520	COIL	LA-232
L41	6110001520	COIL	LA-232
L42	6110001520	COIL	LA-232
L43	6110001520	COIL	LA-232
R4	7030003590	S.RESISTOR	ERJ3GEYJ 183 V (18 kΩ)
R5	7030003640	S.RESISTOR	ERJ3GEYJ 473 V (47 kΩ)
R6	7030003440	S.RESISTOR	ERJ3GEYJ 102 V (1 kΩ)
R7	7030003440	S.RESISTOR	ERJ3GEYJ 102 V (1 kΩ)
R8	7030003320	S.RESISTOR	ERJ3GEYJ 101 V (100 Ω)
R9	7030003440	S.RESISTOR	ERJ3GEYJ 102 V (1 kΩ)
R10	7030003400	S.RESISTOR	ERJ3GEYJ 471 V (470 Ω)
R11	7030003680	S.RESISTOR	ERJ3GEYJ 104 V (100 kΩ)
R12	7030003720	S.RESISTOR	ERJ3GEYJ 224 V (220 kΩ)
R13	7030003200	S.RESISTOR	ERJ3GEYJ 100 V (10 Ω)
R14	7030003720	S.RESISTOR	ERJ3GEYJ 224 V (220 kΩ)
R15	7030003800	S.RESISTOR	ERJ3GEYJ 105 V (1 MΩ)
R17	7030003520	S.RESISTOR	ERJ3GEYJ 472 V (4.7 kΩ)
R18	7030003630	S.RESISTOR	ERJ3GEYJ 393 V (39 kΩ)
R19	7310003630	S.TRIMMER	EVM-1XSX50 BQ4 (473)
R20	7030003280	S.RESISTOR	ERJ3GEYJ 470 V (47 Ω)
R21	7030003280	S.RESISTOR	ERJ3GEYJ 470 V (47 Ω)
R22	7030003520	S.RESISTOR	ERJ3GEYJ 472 V (4.7 kΩ)
R23	7030003410	S.RESISTOR	ERJ3GEYJ 561 V (560 Ω)
R24	7030000260	S.RESISTOR	MCR10EZJH 100 Ω (101)
R25	7030003520	S.RESISTOR	ERJ3GEYJ 472 V (4.7 kΩ)
R26	7030003280	S.RESISTOR	ERJ3GEYJ 470 V (47 Ω)
R27	7030003520	S.RESISTOR	ERJ3GEYJ 472 V (4.7 kΩ)
R28	7030003420	S.RESISTOR	ERJ3GEYJ 681 V (680 Ω)
R29	7030003320	S.RESISTOR	ERJ3GEYJ 101 V (100 Ω)
R30	7030003200	S.RESISTOR	ERJ3GEYJ 100 V (10 Ω)
R31	7030003280	S.RESISTOR	ERJ3GEYJ 470 V (47 Ω)
R32	7030003220	S.RESISTOR	ERJ3GEYJ 150 V (15 Ω)
R34	7030003260	S.RESISTOR	ERJ3GEYJ 330 V (33 Ω)
R35	7030003440	S.RESISTOR	ERJ3GEYJ 102 V (1 kΩ)
R37	7030003480	S.RESISTOR	ERJ3GEYJ 222 V (2.2 kΩ)
R38	7030003440	S.RESISTOR	ERJ3GEYJ 102 V (1 kΩ)
R39	7030003200	S.RESISTOR	ERJ3GEYJ 100 V (10 Ω)
R40	7030003440	S.RESISTOR	ERJ3GEYJ 102 V (1 kΩ)
R41	7030003440	S.RESISTOR	ERJ3GEYJ 102 V (1 kΩ)
R42	7310003590	S.TRIMMER	EVM-1XSX50 B24 (203)
R43	7030003570	S.RESISTOR	ERJ3GEYJ 123 V (12 kΩ)
R44	7030001050	S.RESISTOR	MCR50JZHJ 22 Ω (220)
R46	7030001190	S.RESISTOR	MCR50JZHJ 330 Ω (331)
R47	7030001130	S.RESISTOR	MCR50JZHJ 100 Ω (101)
R48	7030000420	S.RESISTOR	MCR10EZJH 2.2 kΩ (222)
R49	7030000280	S.RESISTOR	MCR10EZJH 150 Ω (151)
R50	7030000420	S.RESISTOR	MCR10EZJH 2.2 kΩ (222)
R51	7030000280	S.RESISTOR	MCR10EZJH 150 Ω (151)
R53	7310003580	S.TRIMMER	EVM-1XSX50 B15 (104)
R54	7030003320	S.RESISTOR	ERJ3GEYJ 101 V (100 Ω)
R55	7030003530	S.RESISTOR	ERJ3GEYJ 562 V (5.6 kΩ)
R56	7030003560	S.RESISTOR	ERJ3GEYJ 103 V (10 kΩ)
R57	7030003840	S.RESISTOR	ERJ3GEYJ 225 V (2.2 MΩ)
R58	7030000250	S.RESISTOR	MCR10EZJH 82 Ω (820)
R59	7030003250	S.RESISTOR	ERJ3GEYJ 270 V (27 Ω)

S.=Surface mount

[MAIN-B UNIT]

REF. NO.	ORDER NO.	DESCRIPTION
R61	7030003440	S.RESISTOR ERJ3GEYJ 102 V (1 kΩ)
R65	7030003420	S.RESISTOR ERJ3GEYJ 681 V (680 Ω)
R66	7030003320	S.RESISTOR ERJ3GEYJ 101 V (100 Ω)
R67	7030003440	S.RESISTOR ERJ3GEYJ 102 V (1 kΩ)
R68	7030003320	S.RESISTOR ERJ3GEYJ 101 V (100 Ω)
R69	7030003360	S.RESISTOR ERJ3GEYJ 221 V (220 Ω)
R70	7030003600	S.RESISTOR ERJ3GEYJ 102 V (22 kΩ)
R71	7030003280	S.RESISTOR ERJ3GEYJ 470 V (47 Ω)
R72	7030003360	S.RESISTOR ERJ3GEYJ 221 V (220 Ω)
R73	7030003240	S.RESISTOR ERJ3GEYJ 220 V (22 Ω)
R74	7030003280	S.RESISTOR ERJ3GEYJ 470 V (47 Ω)
R76	7030003280	S.RESISTOR ERJ3GEYJ 470 V (47 Ω)
R77	7030003310	S.RESISTOR ERJ3GEYJ 820 V (82 Ω)
R78	7030003680	S.RESISTOR ERJ3GEYJ 104 V (100 kΩ)
R79	7030003620	S.RESISTOR ERJ3GEYJ 333 V (33 kΩ)
R80	7030003500	S.RESISTOR ERJ3GEYJ 332 V (3.3 kΩ)
R81	7030003520	S.RESISTOR ERJ3GEYJ 472 V (4.7 kΩ)
R82	7030000240	S.RESISTOR MCR10EZHJ 68 Ω (680)
R83	7030003270	S.RESISTOR ERJ3GEYJ 390 V (39 Ω)
R84	7030003560	S.RESISTOR ERJ3GEYJ 103 V (10 kΩ)
R85	7030003440	S.RESISTOR ERJ3GEYJ 102 V (1 kΩ)
R86	7030003200	S.RESISTOR ERJ3GEYJ 100 V (10 Ω)
R87	7030003430	S.RESISTOR ERJ3GEYJ 821 V (820 Ω)
R88	7030004030	S.RESISTOR ERJ3GEYJ 5R8 V (5.6 Ω)
R89	7030003430	S.RESISTOR ERJ3GEYJ 821 V (820 Ω)
R90	7030003320	S.RESISTOR ERJ3GEYJ 101 V (100 Ω)
R91	7030003680	S.RESISTOR ERJ3GEYJ 104 V (100 kΩ)
R92	7030003540	S.RESISTOR ERJ3GEYJ 682 V (6.8 kΩ)
R93	7030003250	S.RESISTOR ERJ3GEYJ 270 V (27 Ω)
R94	7030003250	S.RESISTOR ERJ3GEYJ 270 V (27 Ω)
R95	7030003280	S.RESISTOR ERJ3GEYJ 470 V (47 Ω)
R97	7030003320	S.RESISTOR ERJ3GEYJ 101 V (100 Ω)
R98	7030003620	S.RESISTOR ERJ3GEYJ 333 V (33 kΩ)
R101	7030003370	S.RESISTOR ERJ3GEYJ 271 V (270 Ω)
R102	7030003680	S.RESISTOR ERJ3GEYJ 104 V (100 kΩ)
R103	7030003320	S.RESISTOR ERJ3GEYJ 101 V (100 Ω)
R104	7030003590	S.RESISTOR ERJ3GEYJ 183 V (18 kΩ)
R105	7030003680	S.RESISTOR ERJ3GEYJ 104 V (100 kΩ)
R106	7030003280	S.RESISTOR ERJ3GEYJ 470 V (47 Ω)
R107	7030003680	S.RESISTOR ERJ3GEYJ 104 V (100 kΩ)
R108	7030003680	S.RESISTOR ERJ3GEYJ 104 V (100 kΩ)
R109	7030003470	S.RESISTOR ERJ3GEYJ 182 V (1.8 kΩ)
R110	7030003510	S.RESISTOR ERJ3GEYJ 392 V (3.9 kΩ)
R112	7030003680	S.RESISTOR ERJ3GEYJ 104 V (100 kΩ)
R113	7030003680	S.RESISTOR ERJ3GEYJ 104 V (100 kΩ)
R114	7030003370	S.RESISTOR ERJ3GEYJ 271 V (270 Ω)
R115	7030003560	S.RESISTOR ERJ3GEYJ 103 V (10 kΩ)
R117	7030003430	S.RESISTOR ERJ3GEYJ 821 V (820 Ω)
R118	7520000080	S.POSISTOR PTH9C23 BB 471Ω-T
R120	7030000420	S.RESISTOR MCR10EZHJ 2.2 kΩ (222)
R121	7030000100	S.RESISTOR MCR10EZHJ 4.7 Ω (4R7)
R124	7030003680	S.RESISTOR ERJ3GEYJ 104 V (100 kΩ)
R125	7030003500	S.RESISTOR ERJ3GEYJ 332 V (3.3 kΩ)
R126	7030003640	S.RESISTOR ERJ3GEYJ 473 V (47 kΩ)
R127	7510000470	S.THERMISTOR TN20-2V221LT
R128	7310003610	S.TRIMMER EVM-1XS50 B14 (103)
R129	7030003630	S.RESISTOR ERJ3GEYJ 393 V (39 kΩ)
R130	7030003640	S.RESISTOR ERJ3GEYJ 473 V (47 kΩ)
R132	7030003640	S.RESISTOR ERJ3GEYJ 473 V (47 kΩ)
R133	7030003200	S.RESISTOR ERJ3GEYJ 100 V (10 Ω)
R135	7030003520	S.RESISTOR ERJ3GEYJ 472 V (4.7 kΩ)
R136	7030003560	S.RESISTOR ERJ3GEYJ 103 V (10 kΩ)
R137	7030003560	S.RESISTOR ERJ3GEYJ 103 V (10 kΩ)
R138	7510000620	S.THERMISTOR TN20-4C104LT
R139	7030003520	S.RESISTOR ERJ3GEYJ 472 V (4.7 kΩ)
R140	7030003740	S.RESISTOR ERJ3GEYJ 334 V (330 kΩ)
R141	7030003520	S.RESISTOR ERJ3GEYJ 472 V (4.7 kΩ)
R142	7030003680	S.RESISTOR ERJ3GEYJ 104 V (100 kΩ)
R143	7030003680	S.RESISTOR ERJ3GEYJ 104 V (100 kΩ)
R144	7030003680	S.RESISTOR ERJ3GEYJ 104 V (100 kΩ)
R145	7030003680	S.RESISTOR ERJ3GEYJ 104 V (100 kΩ)
R150	7030003320	S.RESISTOR ERJ3GEYJ 101 V (100 Ω)
R151	7030003630	S.RESISTOR ERJ3GEYJ 393 V (39 kΩ)
R152	7030003800	S.RESISTOR ERJ3GEYJ 105 V (1 MΩ)
R153	7030003530	S.RESISTOR ERJ3GEYJ 562 V (5.6 kΩ)

[MAIN-B UNIT]

REF. NO.	ORDER NO.	DESCRIPTION
C3	4030008860	S.CERAMIC C1608 JB 1H 102K-T-A
C5	4030006980	S.CERAMIC C1608 CH 1H 070D-T-A
C6	4030006960	S.CERAMIC C1608 CH 1H 050C-T-A
C8	4030008630	S.CERAMIC C1608 JF 1C 104Z-T-A
C9	4030008860	S.CERAMIC C1608 JB 1H 102K-T-A
C10	4030008860	S.CERAMIC C1608 JB 1H 102K-T-A
C11	4030008860	S.CERAMIC C1608 JB 1H 102K-T-A
C12	4030008860	S.CERAMIC C1608 JB 1H 102K-T-A
C13	4030008860	S.CERAMIC C1608 JB 1H 102K-T-A
C14	4030008860	S.CERAMIC C1608 JB 1H 102K-T-A
C15	4030008860	S.CERAMIC C1608 JB 1H 102K-T-A
C16	4510005300	S.ELECTROLITIC ECEV1AA330P
C17	4030008860	S.CERAMIC C1608 JB 1H 102K-T-A
C18	4030008860	S.CERAMIC C1608 JB 1H 102K-T-A
C19	4030008860	S.CERAMIC C2012 JF 1C 105Z-T-A
C20	4030008860	S.CERAMIC C1608 JB 1H 102K-T-A
C21	4030008860	S.CERAMIC C1608 JB 1H 102K-T-A
C22	4030008860	S.CERAMIC C1608 JB 1H 102K-T-A
C23	4030006570	S.CERAMIC C1608 SL 1H 080D-T-A
C24	4030008580	S.CERAMIC C1608 SL 1H 070D-T-A
C25	4030006630	S.CERAMIC C1608 SL 1H 150J-T-A
C26	4030006580	S.CERAMIC C1608 SL 1H 070D-T-A
C27	4030008860	S.CERAMIC C1608 JB 1H 102K-T-A
C28	4030008860	S.CERAMIC C1608 JB 1H 102K-T-A
C29	4030006660	S.CERAMIC C1608 SL 1H 220J-T-A
C30	4030006610	S.CERAMIC C1608 SL 1H 100D-T-A
C31	4030008860	S.CERAMIC C1608 SL 1H 220J-T-A
C32	4030008860	S.CERAMIC C1608 SL 1H 220J-T-A
C33	4030006570	S.CERAMIC C1608 SL 1H 080D-T-A
C34	4030008860	S.CERAMIC C1608 JB 1H 102K-T-A
C35	4030008860	S.CERAMIC C1608 JB 1H 102K-T-A
C36	4550004140	S.TANTALUM F95 1C106MWCAQ2
C39	4550004140	S.TANTALUM F95 1C106MWCAQ2
C40	4550004140	S.TANTALUM F95 1C106MWCAQ2
C41	4030008860	S.CERAMIC C1608 JB 1H 102K-T-A
C42	4030008860	S.CERAMIC C1608 JB 1H 102K-T-A
C43	4030008860	S.CERAMIC C1608 JB 1H 102K-T-A
C44	4550004140	S.TANTALUM F95 1C106MWCAQ2
C45	4030008860	S.CERAMIC C1608 JB 1H 102K-T-A
C46	4010003810	CERAMIC DD06 SL 040C 500V
C47	4030008860	S.CERAMIC C1608 JB 1H 102K-T-A
C48	4030008860	S.CERAMIC C1608 JB 1H 102K-T-A
C49	4030008860	S.CERAMIC C1608 JB 1H 102K-T-A
C50	4010004110	CERAMIC DD05 B 471K 500V
C51	4010003850	CERAMIC DD06 SL 080D 500V
C52	4030008860	S.CERAMIC C1608 JB 1H 102K-T-A
C53	4030008860	S.CERAMIC C1608 JB 1H 102K-T-A
C54	4030008860	S.CERAMIC C1608 JB 1H 102K-T-A
C55	4030008860	S.CERAMIC C1608 JB 1H 102K-T-A
C56	4010003850	CERAMIC DD06 SL 080D 500V
C58	4030008860	S.CERAMIC C1608 JB 1H 102K-T-A
C59	4030008860	S.CERAMIC C1608 JB 1H 102K-T-A
C60	4510004600	ELECTROLITIC 16 MV 1000 HC
C61	4030004760	S.CERAMIC C2012 JF 1E 104Z-T-A
C62	4030008630	S.CERAMIC C1608 JF 1C 104Z-T-A
C63	4030006990	S.CERAMIC C1608 CH 1H 080D-T-A
C64	4030006990	S.CERAMIC C1608 CH 1H 080D-T-A
C65	4030007170	S.CERAMIC C1608 CH 1H 221J-T-A
C66	4030008860	S.CERAMIC C1608 JB 1H 102K-T-A
C67	4030008890	S.CERAMIC C1608 JF 1H 103Z-T-A
C68	4030008890	S.CERAMIC C1608 JF 1H 103Z-T-A
C69	4510004630	S.ELECTROLITIC ECEV1CA100R
C70	4030008860	S.CERAMIC C1608 JB 1H 102K-T-A
C71	4030008860	S.CERAMIC C1608 JB 1H 102K-T-A
C74	4030008860	S.CERAMIC C1608 JB 1H 102K-T-A
C75	4030008860	S.CERAMIC C1608 JB 1H 102K-T-A
C76	4030008860	S.CERAMIC C1608 JB 1H 102K-T-A
C77	4030008860	S.CERAMIC C1608 JB 1H 102K-T-A
C78	4030008860	S.CERAMIC C1608 JB 1H 102K-T-A
C79	4030006710	S.CERAMIC C1608 SL 1H 470J-T-A
C80	4030008860	S.CERAMIC C1608 JB 1H 102K-T-A
C81	4030006540	S.CERAMIC C1608 SL 1H 030C-T-A
C82	4030008860	S.CERAMIC C1608 JB 1H 102K-T-A
C83	4030006520	S.CERAMIC C1608 SL 1H 010C-T-A
C84	4030006580	S.CERAMIC C1608 SL 1H 070D-T-A
C85	4030008860	S.CERAMIC C1608 JB 1H 102K-T-A

S.=Surface mount

[MAIN-B UNIT]

REF. NO.	ORDER NO.	DESCRIPTION
C86	4030006860	S.CERAMIC C1608 JB 1H 102K-T-A
C87	4030006860	S.CERAMIC C1608 JB 1H 102K-T-A
C88	4030006860	S.CERAMIC C1608 JB 1H 102K-T-A
C90	4030006860	S.CERAMIC C1608 JB 1H 102K-T-A
C91	4030006860	S.CERAMIC C1608 JB 1H 102K-T-A
C92	4030006540	S.CERAMIC C1608 SL 1H 030C-T-A
C93	4030006860	S.CERAMIC C1608 JB 1H 102K-T-A
C94	4030006860	S.CERAMIC C1608 JB 1H 102K-T-A
C95	4030006530	S.CERAMIC C1608 SL 1H 020C-T-A
C96	4610001810	S.TRIMMER TZBX4Z030BA110T00
C97	4030006860	S.CERAMIC C1608 JB 1H 102K-T-A
C98	4030006860	S.CERAMIC C1608 JB 1H 102K-T-A
C99	4030006860	S.CERAMIC C1608 JB 1H 102K-T-A
C100	4030006860	S.CERAMIC C1608 JB 1H 102K-T-A
C101	4030006860	S.CERAMIC C1608 JB 1H 102K-T-A
C102	4030006860	S.CERAMIC C1608 JB 1H 102K-T-A
C103	4030006610	S.CERAMIC C1608 SL 1H 100D-T-A
C104	4030006560	S.CERAMIC C1608 SL 1H 050C-T-A
C105	4030006610	S.CERAMIC C1608 SL 1H 100D-T-A
C106	4030006860	S.CERAMIC C1608 JB 1H 102K-T-A
C107	4030006860	S.CERAMIC C1608 JB 1H 102K-T-A
C108	4030006860	S.CERAMIC C1608 JB 1H 102K-T-A
C109	4030006860	S.CERAMIC C1608 JB 1H 102K-T-A
C110	4030006860	S.CERAMIC C1608 JB 1H 102K-T-A
C111	4030006580	S.CERAMIC C1608 SL 1H 070D-T-A
C112	4030006860	S.CERAMIC C1608 JB 1H 102K-T-A
C113	4030006560	S.CERAMIC C1608 SL 1H 050C-T-A
C114	4030006860	S.CERAMIC C1608 JB 1H 102K-T-A
C115	4030006860	S.CERAMIC C1608 JB 1H 102K-T-A
C123	4030006540	S.CERAMIC C1608 SL 1H 030C-T-A
C124	4030006860	S.CERAMIC C1608 JB 1H 102K-T-A
C125	4030006860	S.CERAMIC C1608 JB 1H 102K-T-A
C127	4030006640	S.CERAMIC C1608 SL 1H 180J-T-A
C128	4030006860	S.CERAMIC C1608 JB 1H 102K-T-A
C129	4030006860	S.CERAMIC C1608 JB 1H 102K-T-A
C132	4030006540	S.CERAMIC C1608 SL 1H 030C-T-A
C133	4030006540	S.CERAMIC C1608 SL 1H 030C-T-A
C134	4030006710	S.CERAMIC C1608 SL 1H 470J-T-A
C135	4030006710	S.CERAMIC C1608 SL 1H 470J-T-A
C136	4030006710	S.CERAMIC C1608 SL 1H 470J-T-A
C137	4030006710	S.CERAMIC C1608 SL 1H 470J-T-A
C138	4030006710	S.CERAMIC C1608 SL 1H 470J-T-A
C139	4030006710	S.CERAMIC C1608 SL 1H 470J-T-A
C140	4030006710	S.CERAMIC C1608 SL 1H 470J-T-A
C141	4030006710	S.CERAMIC C1608 SL 1H 470J-T-A
C142	4030006710	S.CERAMIC C1608 SL 1H 470J-T-A
C143	4030006710	S.CERAMIC C1608 SL 1H 470J-T-A
C144	4030006710	S.CERAMIC C1608 SL 1H 470J-T-A
C145	4030006710	S.CERAMIC C1608 SL 1H 470J-T-A
C146	4030006710	S.CERAMIC C1608 SL 1H 470J-T-A
C147	4030006710	S.CERAMIC C1608 SL 1H 470J-T-A
C148	4030006710	S.CERAMIC C1608 SL 1H 470J-T-A
C149	4030006710	S.CERAMIC C1608 SL 1H 470J-T-A
C151	4030008630	S.CERAMIC C1608 JF 1C 104Z-T-A
C152	4030008630	S.CERAMIC C1608 JF 1C 104Z-T-A
C153	4030006860	S.CERAMIC C1608 JB 1H 102K-T-A
C154	4030008630	S.CERAMIC C1608 JF 1C 104Z-T-A
C155	4030008630	S.CERAMIC C1608 JF 1C 104Z-T-A
C156	4030008630	S.CERAMIC C1608 JF 1C 104Z-T-A
C157	4030008630	S.CERAMIC C1608 JF 1C 104Z-T-A
C158	4030008630	S.CERAMIC C1608 JF 1C 104Z-T-A
C159	4030008630	S.CERAMIC C1608 JF 1C 104Z-T-A
C160	4030008630	S.CERAMIC C1608 JF 1C 104Z-T-A
C161	4030008630	S.CERAMIC C1608 JF 1C 104Z-T-A
C162	4030008860	S.CERAMIC C1608 JB 1H 102K-T-A
C163	4030006590	S.CERAMIC C1608 SL 1H 080D-T-A
C164	4030006860	S.CERAMIC C1608 JB 1H 102K-T-A
C166	4030006860	S.CERAMIC C1608 JB 1H 102K-T-A
C167	4030006860	S.CERAMIC C1608 JB 1H 102K-T-A
C168	4030006860	S.CERAMIC C1608 JB 1H 102K-T-A
C169	4030006860	S.CERAMIC C1608 JB 1H 102K-T-A
C173	4510005950	S.ELECTROLITIC ECEV1HA0R1R
C174	4030008630	S.CERAMIC C1608 JF 1C 104Z-T-A
C175	4510004590	ELECTROLITIC 16 MV 470 HC
C176	4510005370	S.ELECTROLITIC ECEV1AA221P
C177	4030008760	S.CERAMIC C2012 X7R 1C 104K-T-A

[MAIN-B UNIT]

REF. NO.	ORDER NO.	DESCRIPTION
C178	4030006690	S.CERAMIC C1608 SL 1H 330J-T-A
C179	4030006530	S.CERAMIC C1608 SL 1H 020C-T-A
C180	4030006710	S.CERAMIC C1608 SL 1H 470J-T-A
C182	4030006900	S.CERAMIC C1608 JB 1E 103K-T-A
C183	4550004060	S.TANTALUM F95 0J108MSAAQ2
C184	4550004230	S.TANTALUM F95 1A106MTAAQ2
C185	4510005300	S.ELECTROLITIC ECEV1AA330P
C186	4550004140	S.TANTALUM F95 1C106MWCAQ2
C187	4550004060	S.TANTALUM F95 0J108MSAAQ2
C188	4030006860	S.CERAMIC C1608 JB 1H 102K-T-A
C189	4030006860	S.CERAMIC C1608 JB 1H 102K-T-A
C190	4030006630	S.CERAMIC C1608 SL 1C 104Z-T-A
C191	4030006520	S.CERAMIC C1608 SL 1H 010C-T-A (USA)
C191	4030006530	S.CERAMIC C1608 SL 1H 020C-T-A (EUR, ITA, KOR, AUS, SEA)
C192	4030006530	S.CERAMIC C1608 SL 1H 020C-T-A
C193	4030006530	S.CERAMIC C1608 SL 1H 020C-T-A
C194	4030006530	S.CERAMIC C1608 SL 1H 020C-T-A
C195	4030006530	S.CERAMIC C1608 SL 1H 020C-T-A
C196	4030006850	S.CERAMIC C1608 JB 1H 471K-T-A
C197	4030006860	S.CERAMIC C1608 JB 1H 102K-T-A
C198	4030006860	S.CERAMIC C1608 JB 1H 102K-T-A
C199	4030006850	S.CERAMIC C1608 JB 1H 471K-T-A
C200	4030006850	S.CERAMIC C1608 JB 1H 471K-T-A
C210	4010003840	CERAMIC DD06 SL 070D 500V
C211	4010003820	CERAMIC DD06 SL 050C 500V
C212	4010005320	CERAMIC DD05 CH 090D 500V
C214	4030006670	S.CERAMIC C1608 SL 1H 270J-T-A
C215	4030010140	S.CERAMIC GR42-2 CH 040C 500PT
C216	4030009900	S.CERAMIC GR42-2 CK 020C 500PT
C217	4030010130	S.CERAMIC GR42-2 CJ 030C 500PT
C220	4010005320	CERAMIC DD05 CH 090D 500V
C221	4030004440	S.CERAMIC C2012 SL 1H 070D-T-A
C222	4030006860	S.CERAMIC C1608 JB 1H 102K-T-A
C223	4030006750	S.CERAMIC C1608 SL 1H 101J-T-A
W4	8900002450	CABLE OPC-223 [ANT]
W5	8900004520	CABLE OPC-373A
W6	8900004520	CABLE OPC-373A
W7	8900003780	CABLE OPC-371 [DC13.8V]
W8	7030003860	S.JUMPER ERJ3GE JPW V
W9	7030003860	S.JUMPER ERJ3GE JPW V
W10	7120000380	JUMPER JPW 01 R-01
W11	7030003860	S.JUMPER ERJ3GE JPW V
W12	7120000380	JUMPER JPW 01 R-01
J1	6510014710	CONNECTOR 52330-1017
J2	6510014710	CONNECTOR 52330-1017
J4	6510014960	S.CONNECTOR B2B-ZR-SM3-TF
J5	6510014960	S.CONNECTOR B2B-ZR-SM3-TF
J8	6450001330	CONNECTOR HJSJ1332-01-020 [SP-2]
EP1	0910039094	PCB B 3804D

[PLL-B BOARD]

REF. NO.	ORDER NO.	DESCRIPTION
IC1	1130005700	S.IC M56760FP
Q2	1560000530	S.FET 2SK880-GR (TE85R)
Q3	1530003010	S.TRANSISTOR 2SC4117-GR (TE85R)
Q5	1590001610	S.TRANSISTOR UMH10 TN
Q6	1560000490	S.FET 2SK508 K52 T2B
Q7	1530002940	S.TRANSISTOR 2SC4228-T2 R44
Q8	1530002940	S.TRANSISTOR 2SC4228-T2 R44
Q9	1530003010	S.TRANSISTOR 2SC4117-GR (TE85R)

S.=Surface mount

[PLL-B BOARD]

REF. NO.	ORDER NO.	DESCRIPTION	
D1	1720000220	S.VARICAP	1SV166-T2B
D2	1720000460	S.VARICAP	1SV167-T1
D3	1790000490	S.DIODE	HSM88AS-TR
L1	6200001560	S.COIL	LER 015T R68M
L2	6200001570	S.COIL	LER 015T 1R0M
L3	6200002590	S.COIL	NL 252018T-039J
L4	6200001570	S.COIL	LER 015T 1R0M
L5	6200001570	S.COIL	LER 015T 1R0M
L6	6200001230	S.COIL	MLF2012A 1R0M-T
L7	6200002690	S.COIL	MLF1608A 1R0M-T
R1	7030003640	S.RESISTOR	ERJ3GEYJ 473 V (47 kΩ)
R2	7030003480	S.RESISTOR	ERJ3GEYJ 222 V (2.2 kΩ)
R3	7030003620	S.RESISTOR	ERJ3GEYJ 333 V (33 kΩ)
R7	7030003550	S.RESISTOR	ERJ3GEYJ 822 V (8.2 kΩ)
R8	7030003410	S.RESISTOR	ERJ3GEYJ 561 V (560 Ω)
R9	7030003430	S.RESISTOR	ERJ3GEYJ 821 V (820 Ω)
R10	7030003320	S.RESISTOR	ERJ3GEYJ 101 V (100 Ω)
R11	7030003360	S.RESISTOR	ERJ3GEYJ 221 V (220 Ω)
R12	7030000460	S.RESISTOR	MCR10EZHZ 4.7 kΩ (472)
R13	7030003550	S.RESISTOR	ERJ3GEYJ 822 V (8.2 kΩ)
R14	7030003520	S.RESISTOR	ERJ3GEYJ 472 V (4.7 kΩ)
R15	7030003320	S.RESISTOR	ERJ3GEYJ 101 V (100 Ω)
R16	7030003520	S.RESISTOR	ERJ3GEYJ 472 V (4.7 kΩ)
R17	7030003280	S.RESISTOR	ERJ3GEYJ 470 V (47 Ω)
R18	7030003560	S.RESISTOR	ERJ3GEYJ 103 V (10 kΩ)
R19	7030003280	S.RESISTOR	ERJ3GEYJ 470 V (47 Ω)
R20	7030003330	S.RESISTOR	ERJ3GEYJ 121 V (120 Ω)
R21	7030003400	S.RESISTOR	ERJ3GEYJ 471 V (470 Ω)
R22	7030003520	S.RESISTOR	ERJ3GEYJ 472 V (4.7 kΩ)
R23	7030003410	S.RESISTOR	ERJ3GEYJ 561 V (560 Ω)
R24	7030003380	S.RESISTOR	ERJ3GEYJ 331 V (330 Ω)
R28	7030003500	S.RESISTOR	ERJ3GEYJ 332 V (3.3 kΩ)
R29	7030003410	S.RESISTOR	ERJ3GEYJ 561 V (560 Ω)
R30	7030003360	S.RESISTOR	ERJ3GEYJ 221 V (220 Ω)
R33	7030003440	S.RESISTOR	ERJ3GEYJ 102 V (1 kΩ)
C1	4030006860	S.CERAMIC	C1608 JB 1H 102K-T-A
C5	4030008760	S.CERAMIC	C2012 X7R 1C 104K-T-A
C6	4030006860	S.CERAMIC	C2012 JF 1C 105Z-T-A
C7	4550002980	S.TANTALUM	TEMSVA 1C 225M-8L
C8	4550002980	S.TANTALUM	TEMSVA 1C 225M-8L
C9	4030006890	S.CERAMIC	C1608 JF 1H 103Z-T-A
C10	4550000530	S.TANTALUM	TESVA 1V 104M1-8L
C11	4030006860	S.CERAMIC	C1608 JB 1H 102K-T-A
C12	4030006860	S.CERAMIC	C1608 JB 1H 102K-T-A
C13	4030007110	S.CERAMIC	C1608 CH 1H 680J-T-A
C14	4030006860	S.CERAMIC	C1608 JB 1H 102K-T-A
C15	4030006550	S.CERAMIC	C1608 SL 1H 040C-T-A
C16	4030006910	S.CERAMIC	C1608 CH 1H 0R5C-T-A
C17	4030006860	S.CERAMIC	C1608 JB 1H 102K-T-A
C18	4030006850	S.CERAMIC	C1608 JB 1H 471K-T-A
C19	4030006900	S.CERAMIC	C1608 JB 1E 103K-T-A
C20	4030006860	S.CERAMIC	C1608 JB 1H 102K-T-A
C22	4030006860	S.CERAMIC	C1608 JB 1H 102K-T-A
C23	4030006860	S.CERAMIC	C1608 JB 1H 102K-T-A
C24	4030006860	S.CERAMIC	C1608 JB 1H 102K-T-A
C25	4030006670	S.CERAMIC	C1608 SL 1H 270J-T-A
C26	4030006860	S.CERAMIC	C1608 JB 1H 102K-T-A
W1	7030003860	S.JUMPER	ERJ3GE JPW V
EP1	0910042372	PCB	B 3740B
EP2	6510008580	LEADFRAM	PT2.0-0.7-16.5 (K)

[VCO-B BOARD]

REF. NO.	ORDER NO.	DESCRIPTION	
Q1	1560000490	S.FET	2SK508 K52 T2B
Q2	1590001620	S.TRANSISTOR	UN521F(TX)
D1	1720000180	S.VARICAP	1SV164-T2B
L1	6200001580	S.COIL	LER 015T 1R8M
L3	6200001580	S.COIL	LER 015T 1R8M
L4	6130002620	S.COIL	LB-291
R1	7030003320	S.RESISTOR	ERJ3GEYJ 101 V (100 Ω)
R4	7030003280	S.RESISTOR	ERJ3GEYJ 470 V (47 Ω)
R7	7030003320	S.RESISTOR	ERJ3GEYJ 101 V (100 Ω)
R8	7030003400	S.RESISTOR	ERJ3GEYJ 471 V (470 Ω)
C1	4030006860	S.CERAMIC	C1608 JB 1H 102K-T-A
C3	4030006860	S.CERAMIC	C1608 JB 1H 102K-T-A
C4	4030006860	S.CERAMIC	C1608 JB 1H 102K-T-A
C5	4030006860	S.CERAMIC	C1608 JB 1H 102K-T-A
C6	4030006860	S.CERAMIC	C1608 JB 1H 102K-T-A
C10	4030006920	S.CERAMIC	C1608 CH 1H 010C-T-A
C11	4030006860	S.CERAMIC	C1608 JB 1H 102K-T-A
C12	4030007130	S.CERAMIC	C1608 CH 1H 101J-T-A
W1	7030003860	S.JUMPER	ERJ3GE JPW V
W2	7030003860	S.JUMPER	ERJ3GE JPW V
EP1	0910042383	PCB	B 3540C
EP2	6510008580	LEADFRAM	PT2.0-0.7-16.5 (K)

[YGR-B BOARD]

REF. NO.	ORDER NO.	DESCRIPTION	
Q1	1530002680	S.TRANSISTOR	2SC3357-T2
Q2	1530002340	S.TRANSISTOR	2SC2954-T2B
D1	1790000860	S.DIODE	MA133(TX)
L2	6200003860	S.COIL	NL 252018T-010J
L4	6200003870	S.COIL	NL 252018T-015J
R1	7030003410	S.RESISTOR	ERJ3GEYJ 561 V (560 Ω)
R2	7030003520	S.RESISTOR	ERJ3GEYJ 472 V (4.7 kΩ)
R3	7030003240	S.RESISTOR	ERJ3GEYJ 220 V (22 Ω)
R4	7030003520	S.RESISTOR	ERJ3GEYJ 472 V (4.7 kΩ)
R5	7030003360	S.RESISTOR	ERJ3GEYJ 221 V (220 Ω)
R6	7030003440	S.RESISTOR	ERJ3GEYJ 102 V (1 kΩ)
R7	7030003240	S.RESISTOR	ERJ3GEYJ 220 V (22 Ω)
C1	4030006860	S.CERAMIC	C1608 JB 1H 102K-T-A
C4	4030006860	S.CERAMIC	C1608 JB 1H 102K-T-A
C5	4030006860	S.CERAMIC	C1608 JB 1H 102K-T-A
C6	4030006590	S.CERAMIC	C1608 SL 1H 080D-T-A
C8	4030006860	S.CERAMIC	C1608 JB 1H 102K-T-A
C9	4030006860	S.CERAMIC	C1608 JB 1H 102K-T-A
C10	4030006610	S.CERAMIC	C1608 SL 1H 100D-T-A
C11	4030006860	S.CERAMIC	C1608 JB 1H 102K-T-A
W1	7030003860	S.JUMPER	ERJ3GE JPW V
W2	7030000010	S.JUMPER	MCR10EZHZ JPW (000)
W3	7030000010	S.JUMPER	MCR10EZHZ JPW (000)
EP1	0910042392	PCB	B 3549B
EP2	6910003110	LEADFRAM	HFB2.0-0.7-8 (N)

S.=Surface mount

[APC-B BOARD]

REF. NO.	ORDER NO.	DESCRIPTION	
IC1	1110003340	S.IC	μPC358GR-T1
Q1	1530002280	S.TRANSISTOR	2SC4081 T107 S
Q2	1590000430	S.TRANSISTOR	DTC144EU T107
D1	1790001000	S.ZENER	MA8062-L(TX)
R1	7030003620	S.RESISTOR	ERJ3GEYJ 333 V (33 kΩ)
R2	7030003640	S.RESISTOR	ERJ3GEYJ 473 V (47 kΩ)
R3	7030003560	S.RESISTOR	ERJ3GEYJ 103 V (10 kΩ)
R4	7030003320	S.RESISTOR	ERJ3GEYJ 101 V (100 Ω)
R5	7030003790	S.RESISTOR	ERJ3GEYJ 824 V (820 kΩ)
R6	7030003600	S.RESISTOR	ERJ3GEYJ 223 V (22 kΩ)
R7	7030003320	S.RESISTOR	ERJ3GEYJ 101 V (100 Ω)
R8	7030003640	S.RESISTOR	ERJ3GEYJ 473 V (47 kΩ)
R9	7030003570	S.RESISTOR	ERJ3GEYJ 123 V (12 kΩ)
R10	7030003720	S.RESISTOR	ERJ3GEYJ 224 V (220 kΩ)
R11	7030003590	S.RESISTOR	ERJ3GEYJ 183 V (18 kΩ)
R12	7030003560	S.RESISTOR	ERJ3GEYJ 103 V (10 kΩ)
C1	4030006860	S.CERAMIC	C1608 JB 1H 102K-T-A
C2	4550004250	S.TANTALUM	F95 1A226MYC
C3	4030006860	S.CERAMIC	C1608 JB 1H 102K-T-A
C4	4030006860	S.CERAMIC	C1608 JB 1H 102K-T-A
C5	4030006860	S.CERAMIC	C1608 JB 1H 102K-T-A
C6	4030006860	S.CERAMIC	C1608 JB 1H 102K-T-A
C7	4030006860	S.CERAMIC	C1608 JB 1H 102K-T-A
C8	4030006860	S.CERAMIC	C1608 JB 1H 102K-T-A
EP1	0910042402	PCB	B 3548B
EP2	6910003110	LEADFRAM	HFB2.0-0.7-8 (N)

[IF-B BOARD]

REF. NO.	ORDER NO.	DESCRIPTION	
IC1	1110002780	S.IC	MC3371DR
IC2	1110002750	S.IC	TA75S01F (TE85R)
IC3	1110000960	S.IC	NJM4558M(T1)
D1	1790000980	S.DIODE	MA742(TX)
R1	7030003760	S.RESISTOR	ERJ3GEYJ 474 V (470 kΩ)
R2	7030003520	S.RESISTOR	ERJ3GEYJ 472 V (4.7 kΩ)
R5	7030003480	S.RESISTOR	ERJ3GEYJ 222 V (2.2 kΩ)
R6	7030003400	S.RESISTOR	ERJ3GEYJ 471 V (470 Ω)
R7	7030003680	S.RESISTOR	ERJ3GEYJ 104 V (100 kΩ)
R10	7030003660	S.RESISTOR	ERJ3GEYJ 683 V (68 kΩ)
R11	7030003800	S.RESISTOR	ERJ3GEYJ 105 V (1 MΩ)
R14	7030003560	S.RESISTOR	ERJ3GEYJ 103 V (10 kΩ)
R15	7030003570	S.RESISTOR	ERJ3GEYJ 123 V (12 kΩ)
R16	7030003830	S.RESISTOR	ERJ3GEYJ 185 V (1.8 MΩ)
R18	7030003600	S.RESISTOR	ERJ3GEYJ 223 V (22 kΩ)
R19	7030003510	S.RESISTOR	ERJ3GEYJ 392 V (3.9 kΩ)
R20	7030003800	S.RESISTOR	ERJ3GEYJ 105 V (1 MΩ)
R21	7030003800	S.RESISTOR	ERJ3GEYJ 105 V (1 MΩ)
R22	7030003630	S.RESISTOR	ERJ3GEYJ 393 V (39 kΩ)
R23	7030003630	S.RESISTOR	ERJ3GEYJ 393 V (39 kΩ)
R24	7030003630	S.RESISTOR	ERJ3GEYJ 393 V (39 kΩ)
C1	4030006900	S.CERAMIC	C1608 JB 1E 103K-T-A
C2	4030006860	S.CERAMIC	C1608 JB 1H 102K-T-A
C3	4030006690	S.CERAMIC	C1608 SL 1H 330J-T-A
C4	4030006860	S.CERAMIC	C1608 JB 1H 102K-T-A
C5	4030006860	S.CERAMIC	C1608 JB 1H 102K-T-A
C6	4030006850	S.CERAMIC	C1608 JB 1H 471K-T-A
C7	4030006850	S.CERAMIC	C1608 JB 1H 471K-T-A
C8	4030006880	S.CERAMIC	C2012 JF 1C 105Z-T-A
C9	4030006900	S.CERAMIC	C1608 JB 1E 103K-T-A

[IF-B BOARD]

REF. NO.	ORDER NO.	DESCRIPTION	
C10	4550004700	S.TANTALUM	F95 1V474MQAAQ2
C11	4030006900	S.CERAMIC	C1608 JB 1E 103K-T-A
C13	4030009580	S.CERAMIC	C1608 JB 1H 681K-T-A
C14	4030006900	S.CERAMIC	C1608 JB 1E 103K-T-A
C15	4030006900	S.CERAMIC	C1608 JB 1E 103K-T-A
C16	4030006900	S.CERAMIC	C1608 JB 1E 103K-T-A
C17	4030006470	S.CERAMIC	C2012 JB 1H 153K-T-A
C18	4030008630	S.CERAMIC	C1608 JF 1C 104Z-T-A
C19	4030008630	S.CERAMIC	C1608 JF 1C 104Z-T-A
C25	4030008630	S.CERAMIC	C1608 JF 1C 104Z-T-A
C26	4030008630	S.CERAMIC	C1608 JF 1C 104Z-T-A
C27	4030006870	S.CERAMIC	C1608 JB 1H 222K-T-A
C28	4030006830	S.CERAMIC	C1608 SL 1H 331J-T-A
C29	4030006880	S.CERAMIC	C1608 JB 1H 472K-T-A
EP1	0910042411	PCB	B 3547A
EP2	6910003110	LEADFRAM	HFB2.0-0.7-8 (N)

[RFT-B BOARD]

REF. NO.	ORDER NO.	DESCRIPTION	
Q1	1530002940	S.TRANSISTOR	2SC4228-T2 R44
Q2	1580000360	S.FET	3SK177-T2B U73
Q3	1590001470	S.TRANSISTOR	UN9213(TX)
Q4	1530002900	S.TRANSISTOR	2SC4228-T2 R45
D1	1790000620	S.DIODE	MA77(TW)
L1	6200003860	S.COIL	NL 252018T-010J
R1	7030003540	S.RESISTOR	ERJ3GEYJ 682 V (6.8 kΩ)
R2	7030003600	S.RESISTOR	ERJ3GEYJ 223 V (22 kΩ)
R3	7030003380	S.RESISTOR	ERJ3GEYJ 331 V (330 Ω)
R4	7030003560	S.RESISTOR	ERJ3GEYJ 103 V (10 kΩ)
R5	7030003340	S.RESISTOR	ERJ3GEYJ 151 V (150 Ω)
R6	7030003560	S.RESISTOR	ERJ3GEYJ 103 V (10 kΩ)
R7	7030003270	S.RESISTOR	ERJ3GEYJ 390 V (39 Ω)
R8	7030003400	S.RESISTOR	ERJ3GEYJ 471 V (470 Ω)
R9	7030003560	S.RESISTOR	ERJ3GEYJ 103 V (10 kΩ)
R10	7030003440	S.RESISTOR	ERJ3GEYJ 102 V (1 kΩ)
C1	4030006540	S.CERAMIC	C1608 SL 1H 030C-T-A
C2	4030006540	S.CERAMIC	C1608 SL 1H 030C-T-A
C3	4030006550	S.CERAMIC	C1608 SL 1H 040C-T-A
C4	4030006860	S.CERAMIC	C1608 JB 1H 102K-T-A
C5	4030006560	S.CERAMIC	C1608 SL 1H 050C-T-A
C6	4030006550	S.CERAMIC	C1608 SL 1H 040C-T-A
C7	4030006700	S.CERAMIC	C1608 SL 1H 390J-T-A
C8	4030006860	S.CERAMIC	C1608 JB 1H 102K-T-A
C9	4030006530	S.CERAMIC	C1608 SL 1H 020C-T-A
C10	4030006860	S.CERAMIC	C1608 JB 1H 102K-T-A
C11	4030006860	S.CERAMIC	C1608 JB 1H 102K-T-A
EP1	0910042421	PCB	B 3681A
EP2	6910003110	LEADFRAM	HFB2.0-0.7-8 (N)

S.=Surface mount

[TONE UNIT] (USA, KOR only)

REF. NO.	ORDER NO.	DESCRIPTION	
IC1	1130005810	S.IC	BU4094BF-T1
IC2	1130000950	IC	S-7116A
X1	6050003120	XTAL	RF-4A3 FAA NKD (3.579545M)
R1	7310003580	S.TRIMMER	EVM-1XSX50 B15 (104)
R2	7030003740	S.RESISTOR	ERJ3GEYJ 334 V (330 kΩ)
R5	7030003580	S.RESISTOR	ERJ3GEYJ 153 V (15 kΩ)
R6	7030003580	S.RESISTOR	ERJ3GEYJ 153 V (15 kΩ)
C1	4030006860	S.CERAMIC	C1608 JB 1H 102K-T-A
C2	4030006710	S.CERAMIC	C1608 SL 1H 470J-T-A
C3	4030006700	S.CERAMIC	C1608 SL 1H 390J-T-A
C4	4550004700	S.TANTALUM	F95 1V474MQAAQ2
J1	6510016450	S.CONNECTOR	53307-1291
EP1	0910040772	PCB	B 3983B

S.=Surface mount

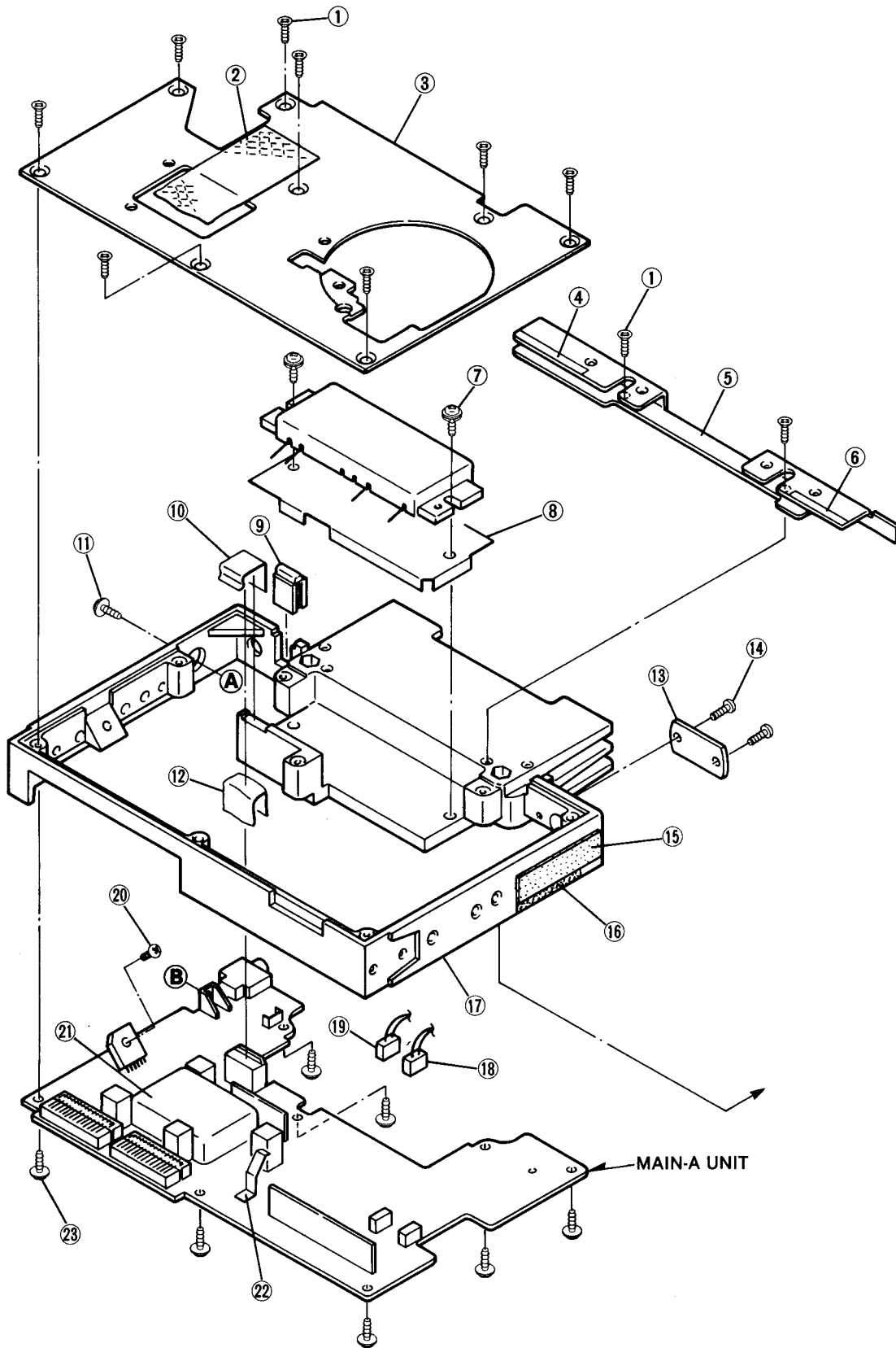
SECTION 6 MECHANICAL PARTS

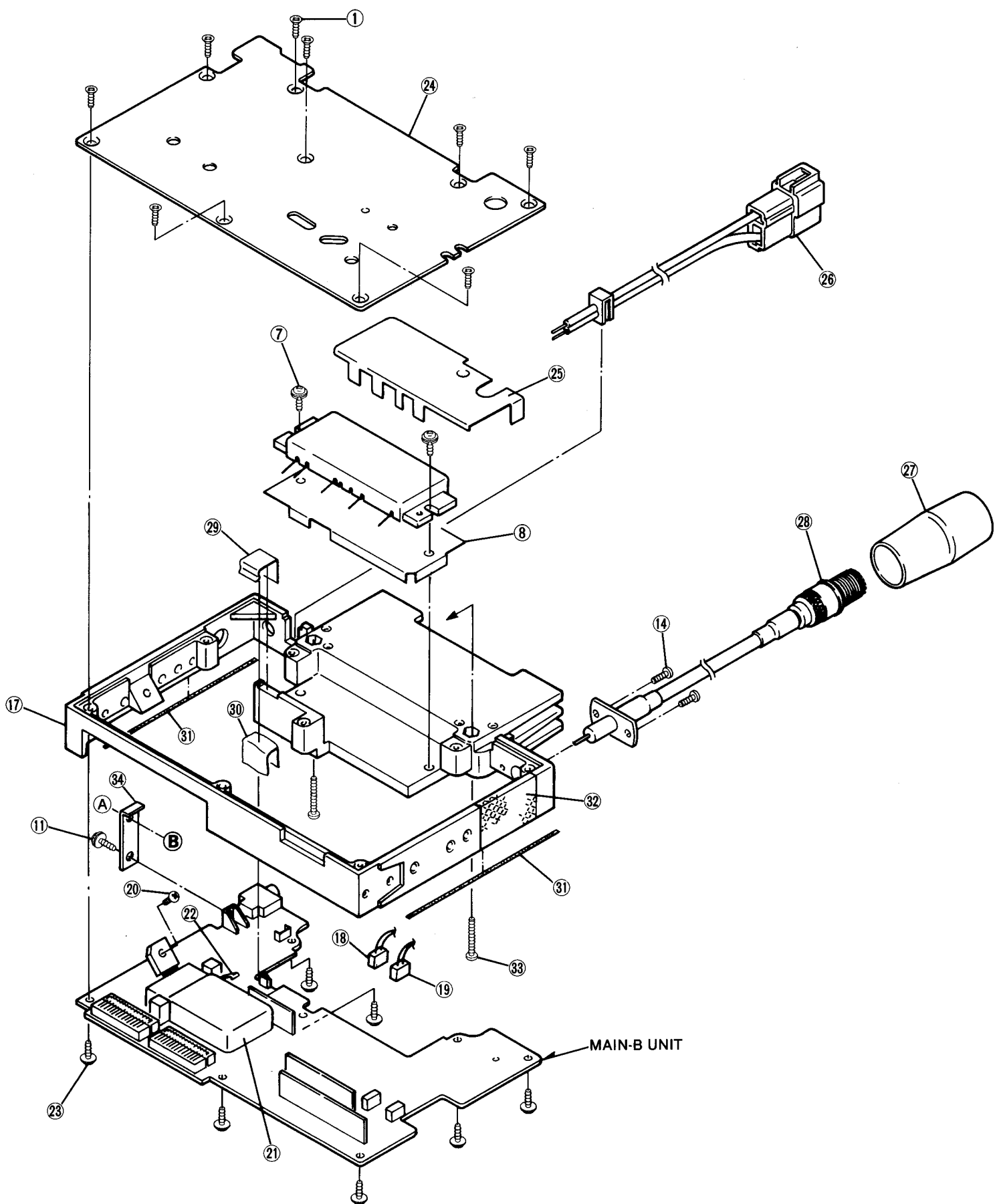
6-1 FRONT AND CABINET PARTS

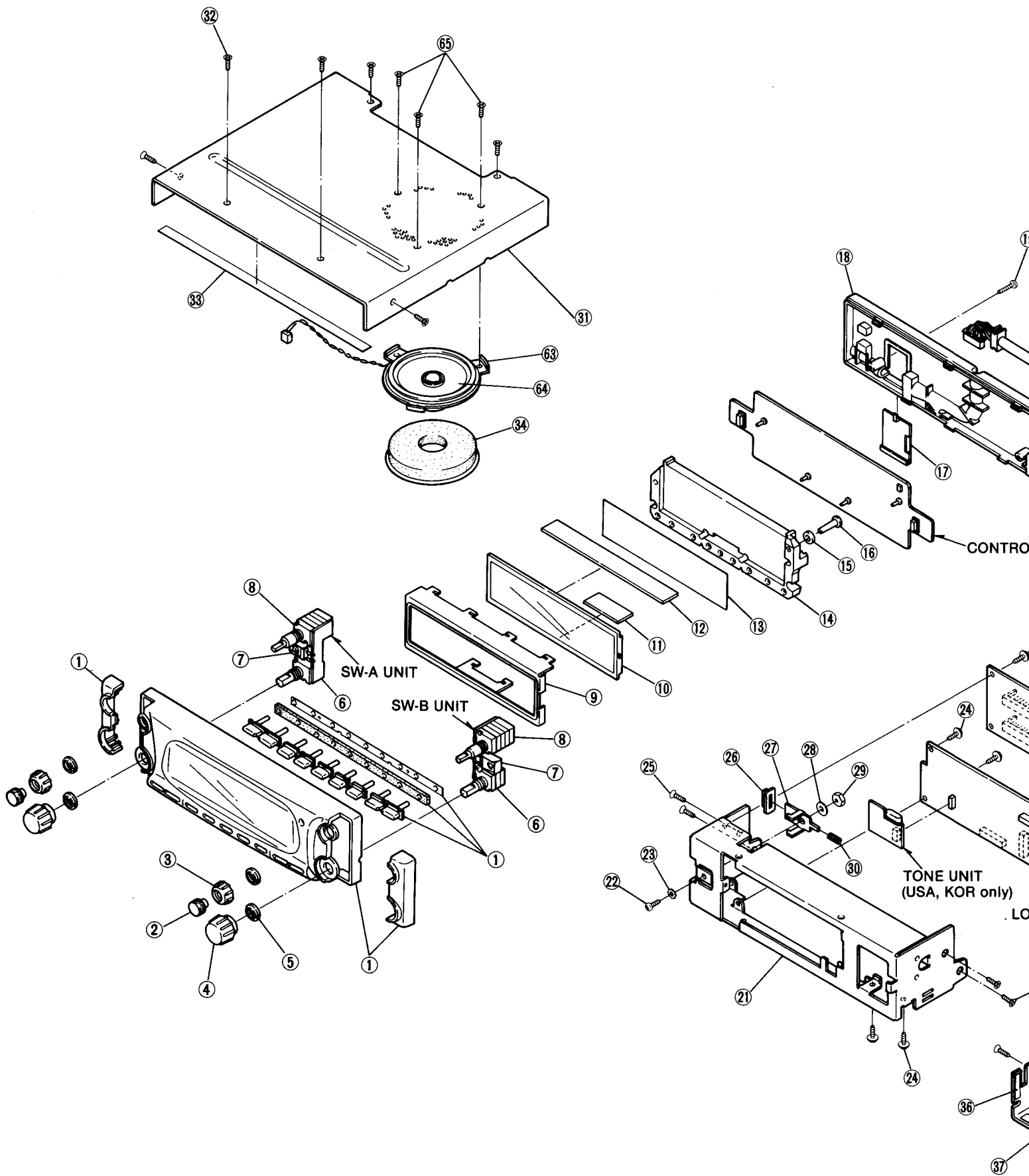
LABEL NUMBER	ORDER NO.	DESCRIPTION	QTY.	LABEL NUMBER	ORDER NO.	DESCRIPTION	QTY.
①	8210010910	1352 front panel assembly	1	③④	8930032280	1352 SP sponge	1
②	8610008980	Knob N212 [VOL • MONI]	2	③⑤	8110005130	1352 bottom cover	1
③	8610008970	Knob N211 [SQL]	2	③⑥	8930032240	Insulate plate DH	1
④	8610008960	Knob N210 [MAIN • SUB]	2	③⑦	8930032230	Insulate plate DG	1
⑤	8830000550	VR nut (E)	4	③⑧	8110005160	1354 fan cover	1
⑥	2250000160	Encoder TP90N00AE20-15F [MAIN • SUB]	2	③⑨	2710000410	Fan 0410-12H	1
⑦	8930031980	1352 mask film	2	④⑩	8810004310	Screw PH M2.6 × 10 ZK	4
⑧	2250000170	Encoder TP90D96AE20-17F [VOL • MONI/SQL]	2	④⑪	8810007280	Screw OH B0 M2.6 × 20 ZK	2
⑨	8930030320	1352 LCD plate with rubber	1	④⑫	8310032870	1135 key plate (A)	1
⑩	5030001070	LCD LD-BU5695E	1	④⑬	8930025820	1135 SW cover	1
⑪	8930030621	LCD contact SRCN-1352-SC-S	1	④⑭	8810007290	Screw FH B0 M2.6 × 20 NI	1
⑫	8930030631	LCD contact SRCN-1352-SC-L	1	④⑮	8010012890	1135 hook plate	1
⑬	8930030670	1352 LCD filter (A)	1	④⑯	8010012870	1135 rear panel	1
⑭	8210009780	1352 reflector	1	④⑰	8930031210	1135 10key (A)	1
⑮	8930030280	1352 SW-B sponge	1	④⑱	8900004010	Flexible cable OPC-382	1
⑯	8610008990	Knob K208 [POWER]	1	④⑲	8810006100	Screw PH B0 No. 1 M2 × 3.5 NI	4
⑰	8210009810	1352 sub panel	1	⑤①	8010014920	1135 battery holder	1
⑱	8210009770	1352 rear panel	1	⑤②	8810007380	Screw FFH B0 No. 1 M2 × 4.5 ZK	6
⑲	8810004370	Screw PH B0 M2 × 10 ZK	2	⑤③	8930031170	1511 SW holder	1
⑳	8900004570	Cable OPC-437	1	⑤④	8930025230	1135 terminal (B)	1
㉑	8010015210	1352 sub chassis	1	⑤⑤	8930025220	1135 terminal (A)	1
㉒	8810000520	Screw PH No. 0 M2 × 4.5 ZK	1	⑤⑥	8930014940	MIC holder	1
㉓	8850001340	Star washer M2.0 ZK	1	⑤⑦	8930025200	1135 3-button	1
㉔	8810003960	Setscrew A M2.6 × 5	7	⑤⑧	8930025180	1135 4-button	1
㉕	8810002110	Screw FH M2.6 × 5	4	⑤⑨	8930025170	1135 PTT button	1
㉖	8610009000	Knob K209	1	⑤⑩	8900003810	Cable OPC-374	1
㉗	8930030290	1352 release plate	1	⑥①	8900004860	Curl cable OPC-450	1
㉘	8850001380	Insulate flat washer (N)	1	⑥②	8930025190	U/D button	1
㉙	8860000830	1364 nut	1	⑥③	8210010341	1135 front panel (HM-92)	1
㉚	8930012640	Spring (K)	1	⑥④	8210010351	1135 front panel (HM-92A)	1
㉛	8110005120	1352 top cover	1	⑥⑤	8930007410	Speaker holder (A)	1
㉜	8810002440	Screw FH M2.6 × 4 ZK BS	16	⑥⑥	2510000690	Speaker VS-50-0820A	1
㉝	8930032220	Insulate plate DF	1	⑥⑦	8810006530	Screw OH M2.6 × 6 BS ZK	3

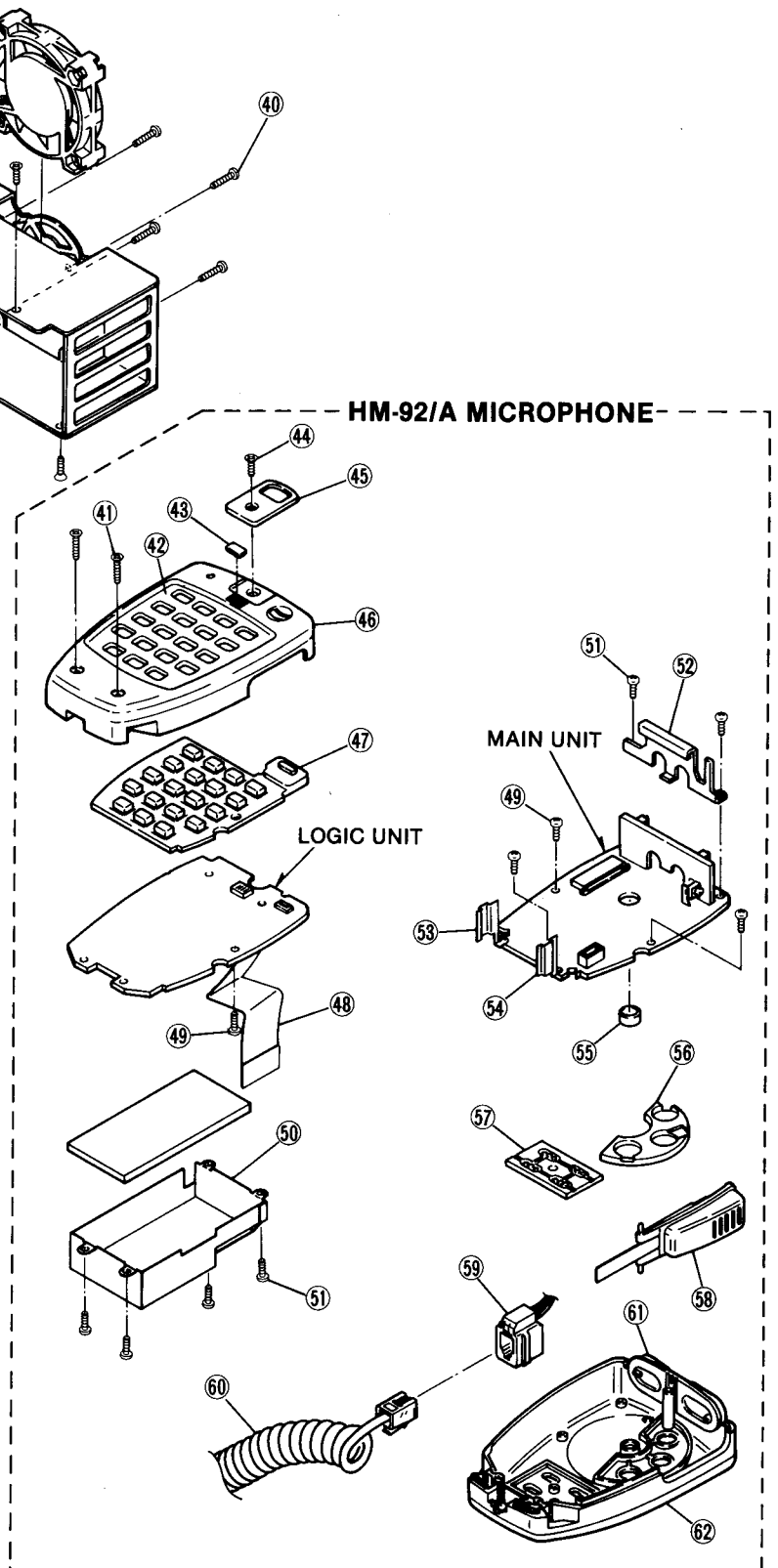
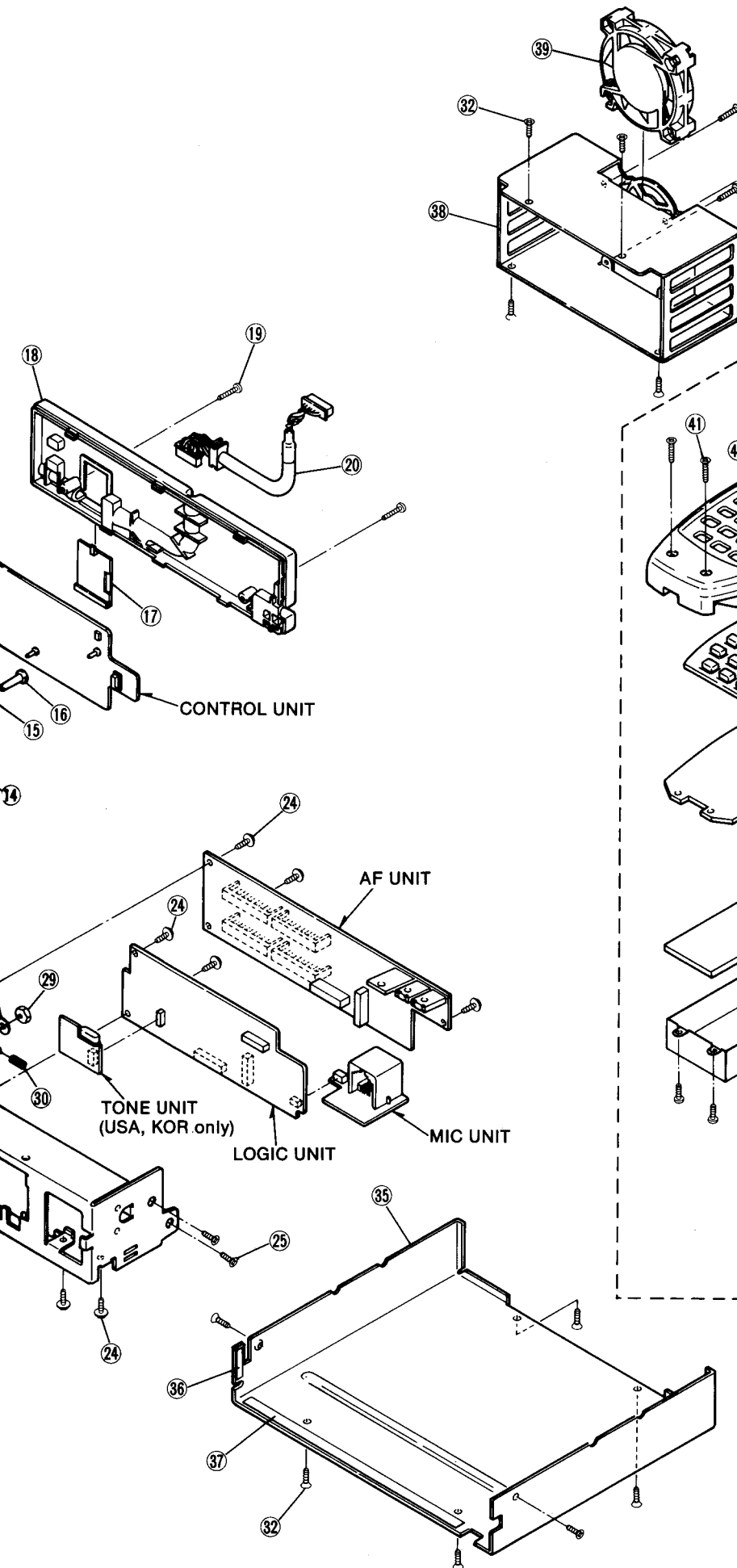
Screw abbreviations B0: Self-tapping PH: Pan head FH: Flat head OH: Oval countersunk head
 FFH: Flat filister head BS: Brass NI: Nickel ZK: Black

6-2 CHASSIS PARTS AND ACCESSORIES







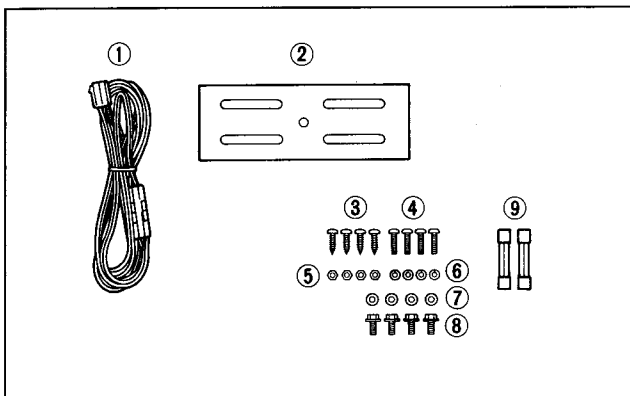


• CHASSIS PARTS

LABEL NUMBER	ORDER NO.	DESCRIPTION	QTY.
①	8810002110	Screw FH M2.6 × 5	18
②	8950001930	Electrical tape No. 1245 50 × 25.4	1
③	8510008670	1352 B shield plate	1
④	8930032180	Sheet AS	1
⑤	8010015220	1352 rear angle	1
⑥	8930032190	Sheet AR	1
⑦	8810007230	Setscrew H M3 × 8	4
⑧	8310027570	1126 module plate	2
⑨	8010012750	1126 bushing	1
⑩	8930024800	1126 TR clip	1
⑪	8810007130	Setscrew H M3 × 6	2
⑫	8950002960	Glass tape W=12 L=30 540S	1
⑬	8510006440	ANT cover	1
⑭	8810001410	Screw PH B1 M3 × 6 NI	4
⑮	8930032170	Sheet AT	1
⑯	8950001300	Electrical tape No. 1245 20 × 25.4	1
⑰	8010015260	1354 chassis	2
⑱	8900004520	VHF cable OPC-373A	1
⑲	8900004520	UHF cable OPC-373A	1
⑳	8810002750	Screw BuH M2.6 × 6 ZK BS	2
㉑	8510007670	1126 VCO case	2
㉒	8930029590	1128 spring	2
㉓	8810003960	Setscrew A M2.6 × 5	16
㉔	8510009040	1352 A shield plate	1
㉕	8930030390	1352 module cover	1
㉖	8900003780	Power receptacle cable OPC-371	1
㉗	6950000040	M-cap (black)	1
㉘	8900002450	Antenna connector cable OPC-223	1
㉙	8930027480	1126 TR-A clip	1
㉚	8950003290	Glass tape W=12 L=15 540S	1
㉛	8930032160	Sheet AU	2
㉜	8950002790	Electrical tape No. 1245 30 × 25.4	1
㉝	8810000330	Screw PH M3 × 30	2
㉞	8930030240	1352 terminal plate	1

Screw abbreviations B1: Self-tapping PH: Pan head FH: Flat head BuH: Button head
BS: Brass NI: Nickel ZK: Black

• ACCESSORIES

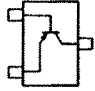
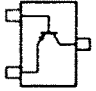
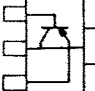
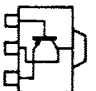
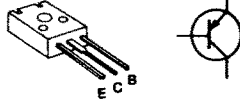
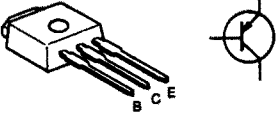
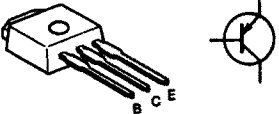
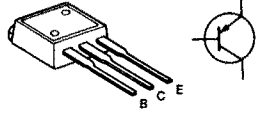
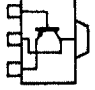
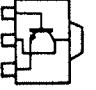

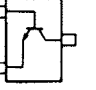
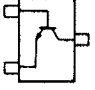
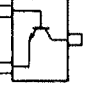
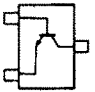
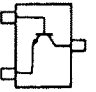
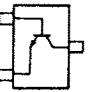
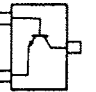
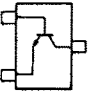
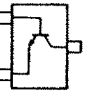
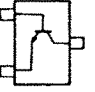
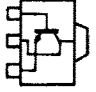

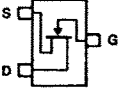
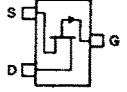
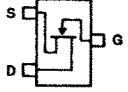


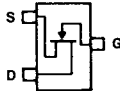

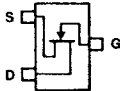
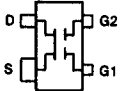
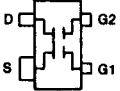
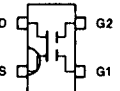
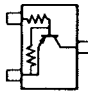
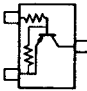
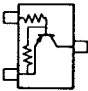
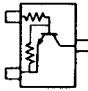
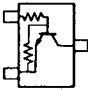
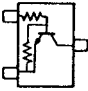
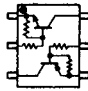
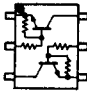
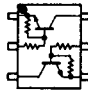
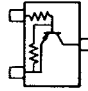
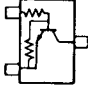
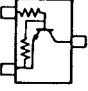
LABEL NUMBER	ORDER NO.	DESCRIPTION	QTY.
①	8900003760	DC power cable OPC-346	1
②	8010004050	Mounting bracket (B) black	1
③	8810000950	Screw PH A M5 × 16	4
④	8810000470	Screw PH M5 × 12 (+/-)	4
⑤	8830000120	Nut M5	4
⑥	8850000390	Spring washer M5	4
⑦	8850000150	Flat washer M5 NI BS	4
⑧	8820000530	Flange bolt	4
⑨	5210000080	Fuse (20 A)	2

Screw abbreviations PH: Pan head NI: Nickel
BS: Brass

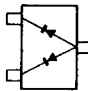
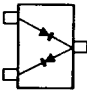
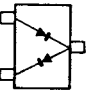
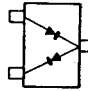
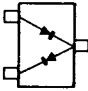
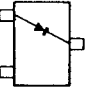
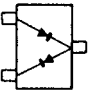
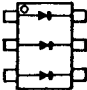
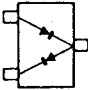
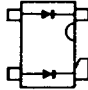
SECTION 7 SEMI-CONDUCTOR INFORMATION

• TRANSISTORS AND FET'S

2SA1586 GR (Symbol: SG) 	2SA1586 Y (Symbol: SY) 	2SA1734 (Symbol: LB) 	2SA1736 (Symbol: LD) 	2SB1143 S 	
2SB1182 		2SB1184 Q 		2SB1266 S 	
2SB798 DK (Symbol: DK) 	2SC2954 (Symbol: QK) 	2SC3357 (Symbol: RK) 	2SC4081 S (Symbol: BS) 	2SC4116 BL (Symbol: LL) 	2SC4116 GR (Symbol: LG) 
2SC4116 Y (Symbol: LY) 	2SC4117 GR (Symbol: DG) 	2SC4213 B (Symbol: AB) 	2SC4215 Y (Symbol: QY) 	2SC4228 R25 (Symbol: R25) 	2SC4228 R44 (Symbol: R44) 
2SC4228 R45 (Symbol: R45) 	2SC4541 (Symbol: KD) 	2SD999 CK (Symbol: CK) 	2SJ114 GR (Symbol: VG) 	2SJ144 Y (Symbol: VY) 	2SK1577 2 (Symbol: P2) 

2SK508 K52 (Symbol: K52) 	2SK880 GR (Symbol: XG) 	2SK880 Y (Symbol: XY) 	3SK166 2 (Symbol: K) 	3SK177 U73 (Symbol: U73) 	3SK184 S (Symbol: 3R) 
DTA113ZU (Symbol: 111) 	DTA114EU (Symbol: 14) 	DTA144EU (Symbol: 16) 	DTC114EU (Symbol: 24) 	DTC143ZU (Symbol: 123) 	DTC144EU (Symbol: 26) 
UMD3 (Symbol: D3) 	UMH10 (Symbol: H10) 	UMH2 (Symbol: H2) 	UN511D (Symbol: 6M) 	UN521F (Symbol: 8N) 	UN9213 (Symbol: 8C) 

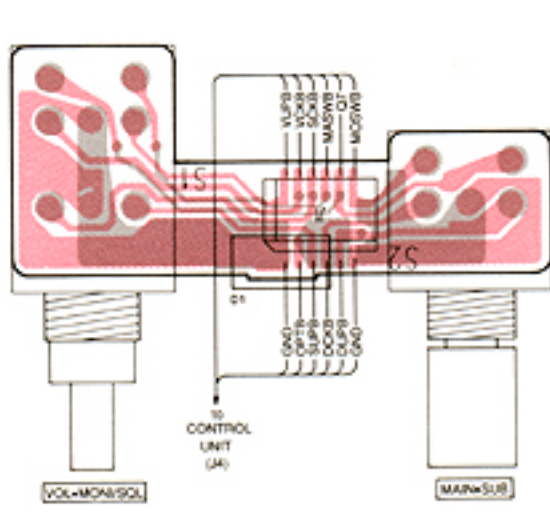
• DIODES

1SS300 (Symbol: A3) 	1SS301 (Symbol: B3) 	1SS302 (Symbol: C3) 	DA204U (Symbol: K) 	HSM88AS (Symbol: C-1) 	MA132K (Symbol: M1) 
MA133 (Symbol: MP) 	MA6S121 (Symbol: M2D) 	MA742 (Symbol: M1U) 	MA862 (Symbol: M1I) 		

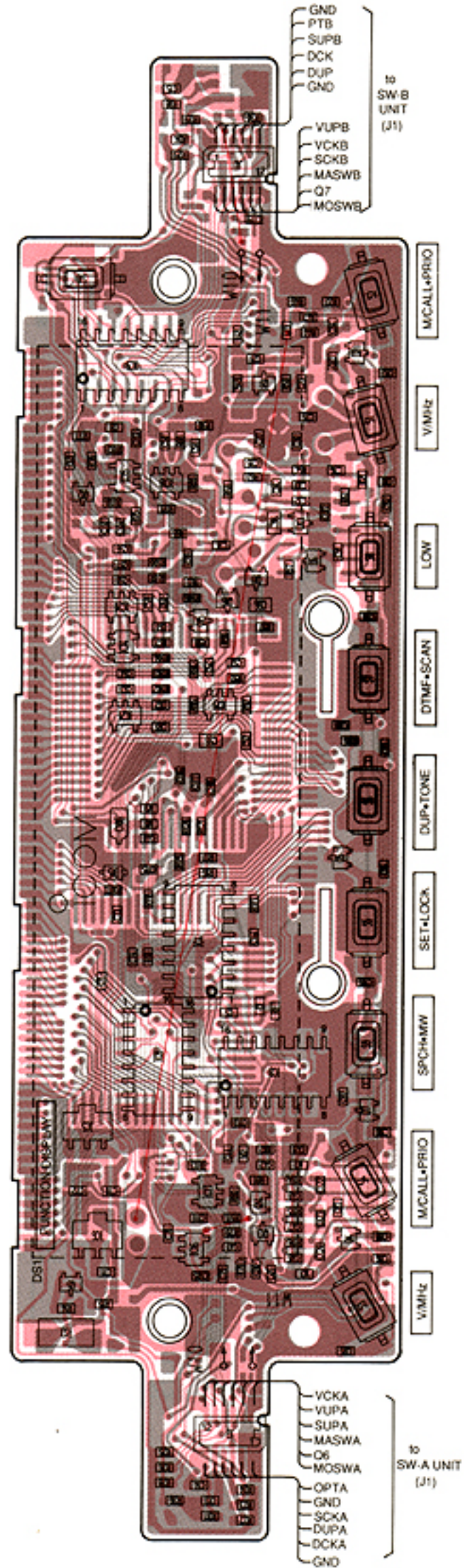
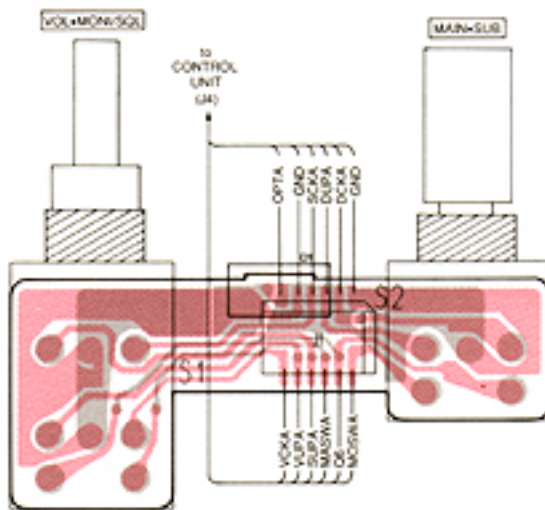
SECTION 8 BOARD LAYOUTS

8-1 CONTROL UNIT

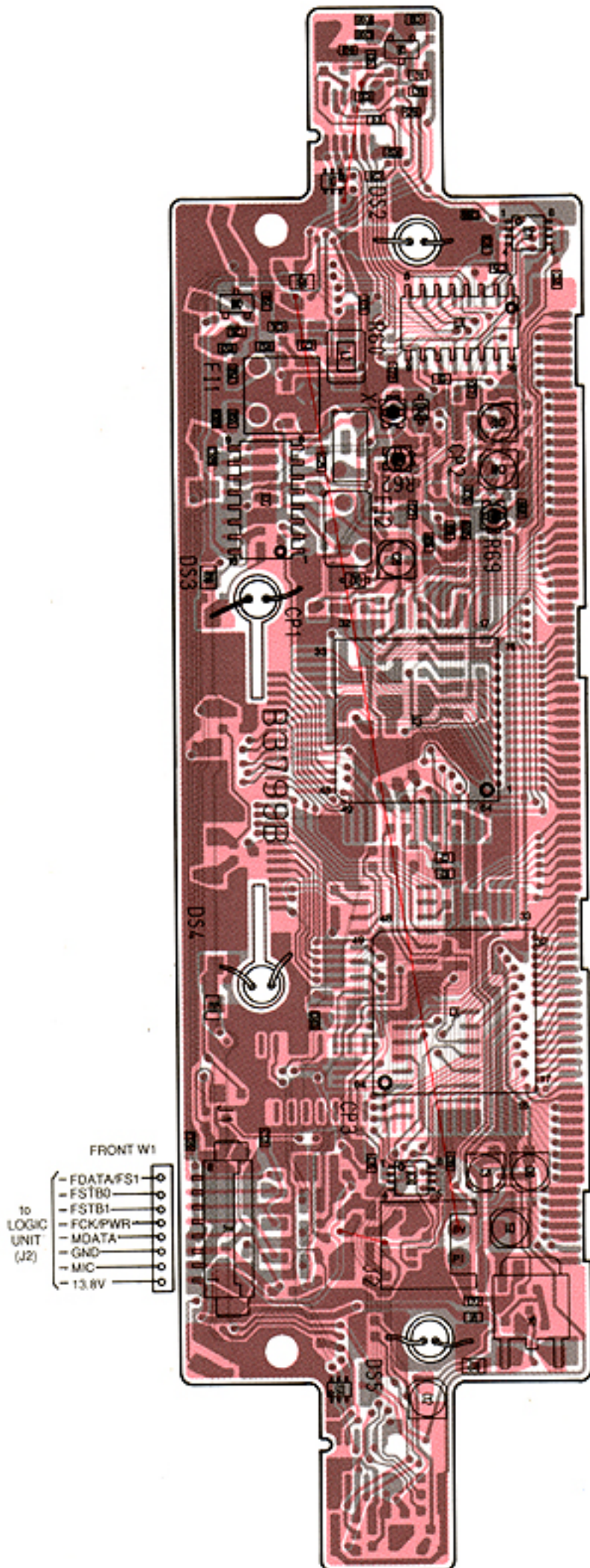
• SW-B UNIT



• SW-A UNIT

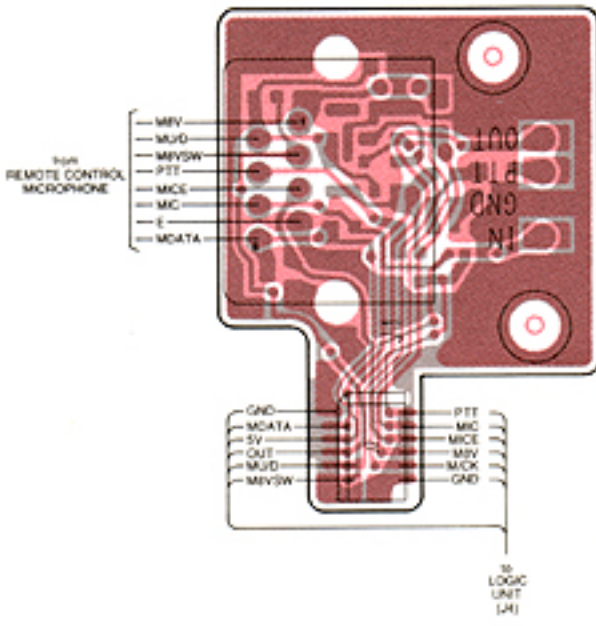


• CONTROL UNIT

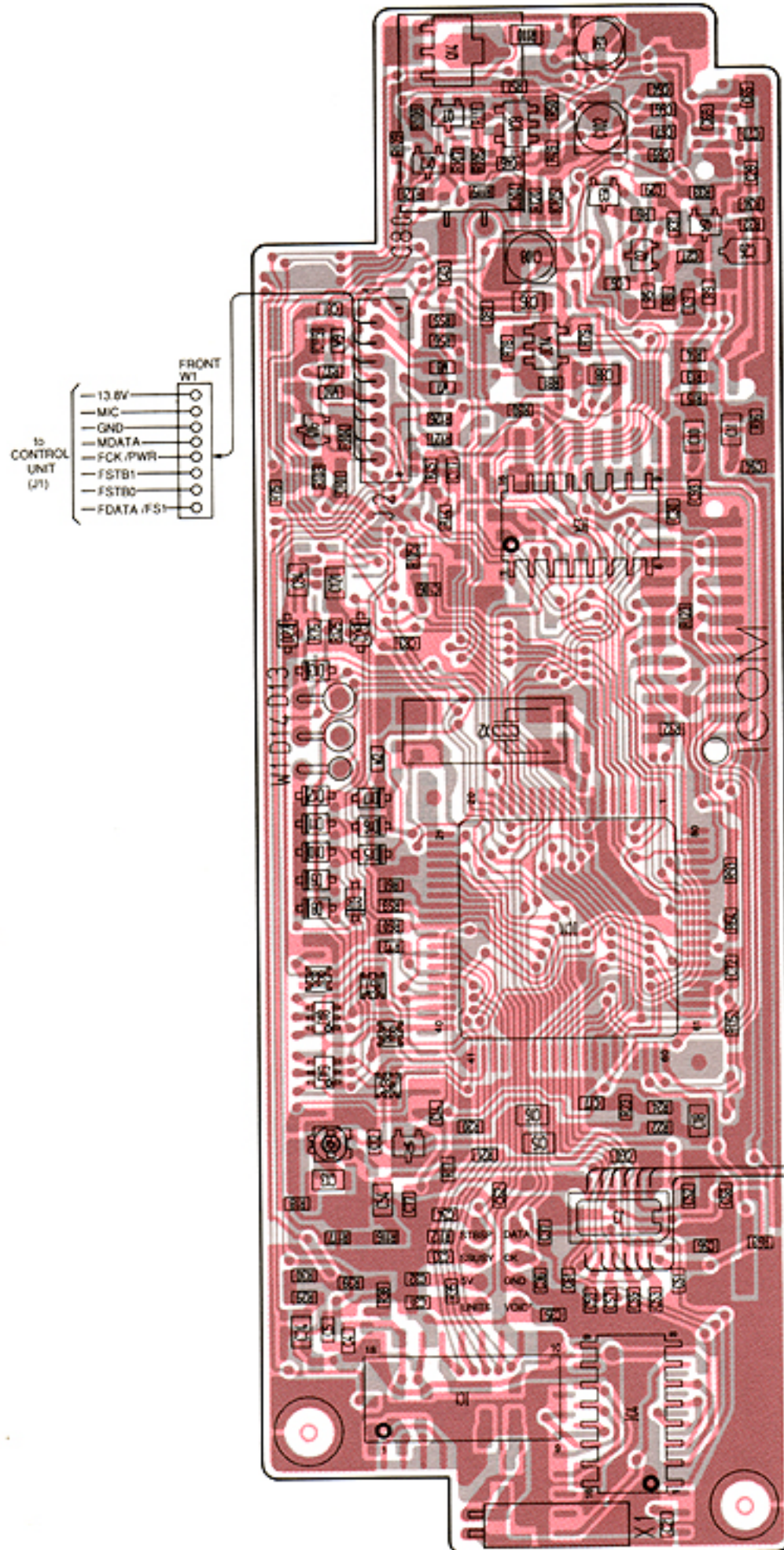


8-2 LOGIC UNIT

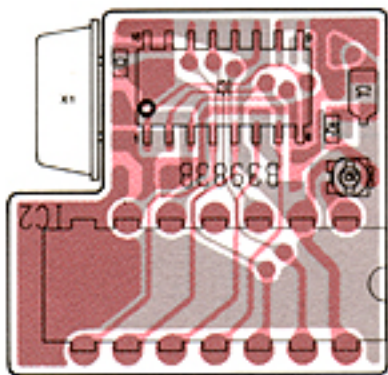
• MIC UNIT



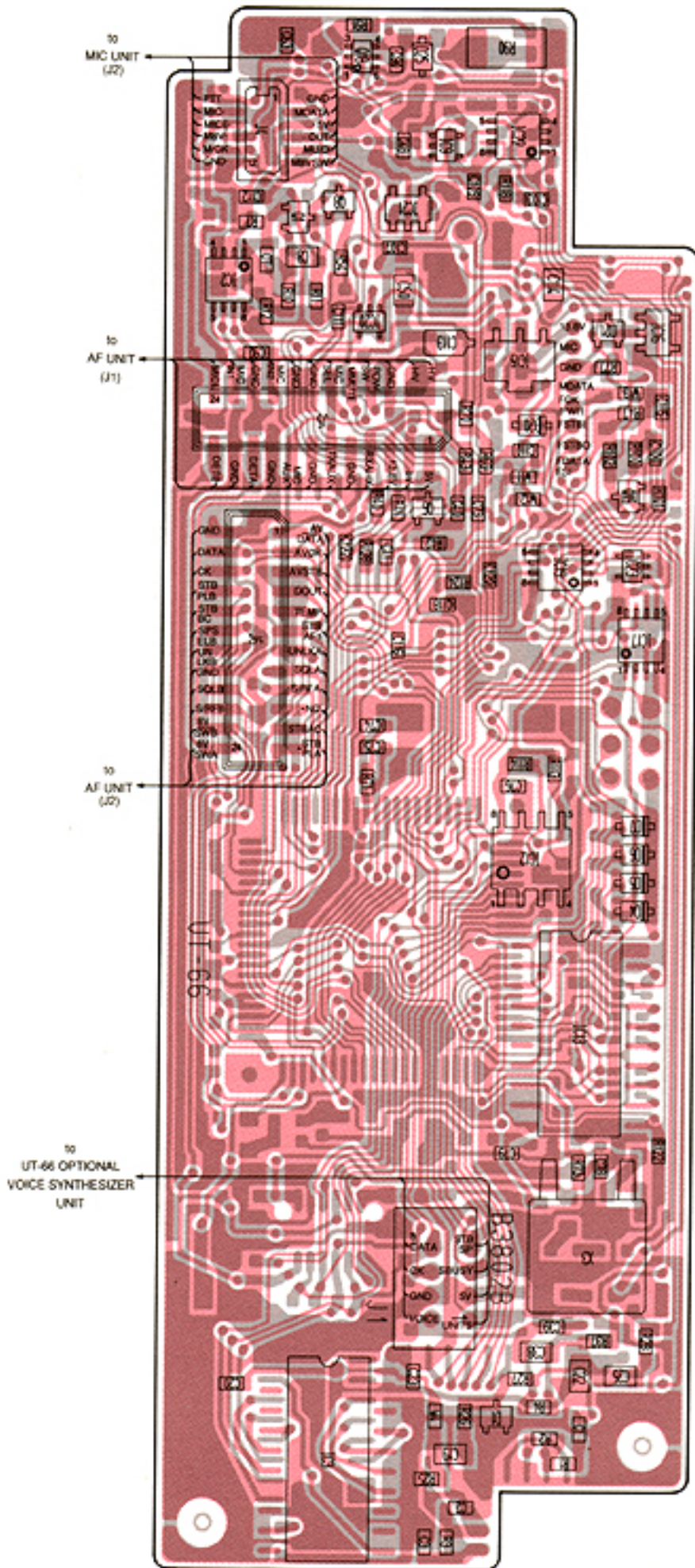
• LOGIC UNIT



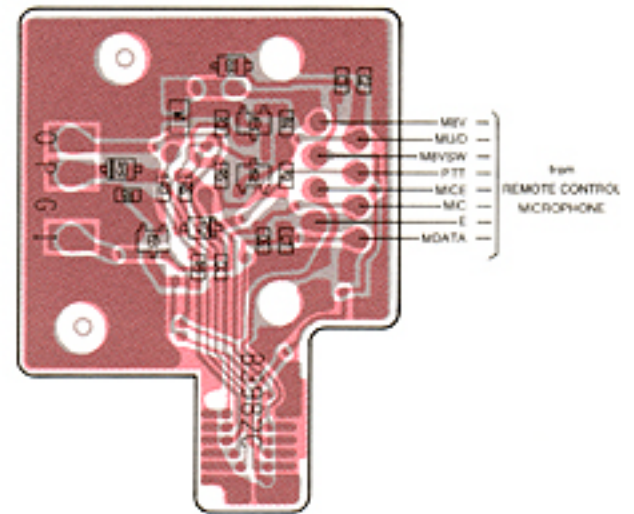
• TONE UNIT (USA, KOR only)



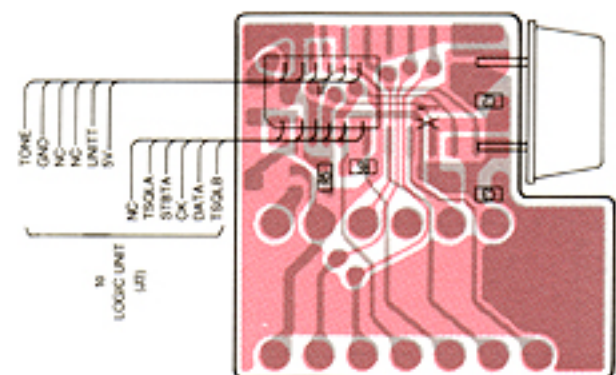
• LOGIC UNIT



• MIC UNIT

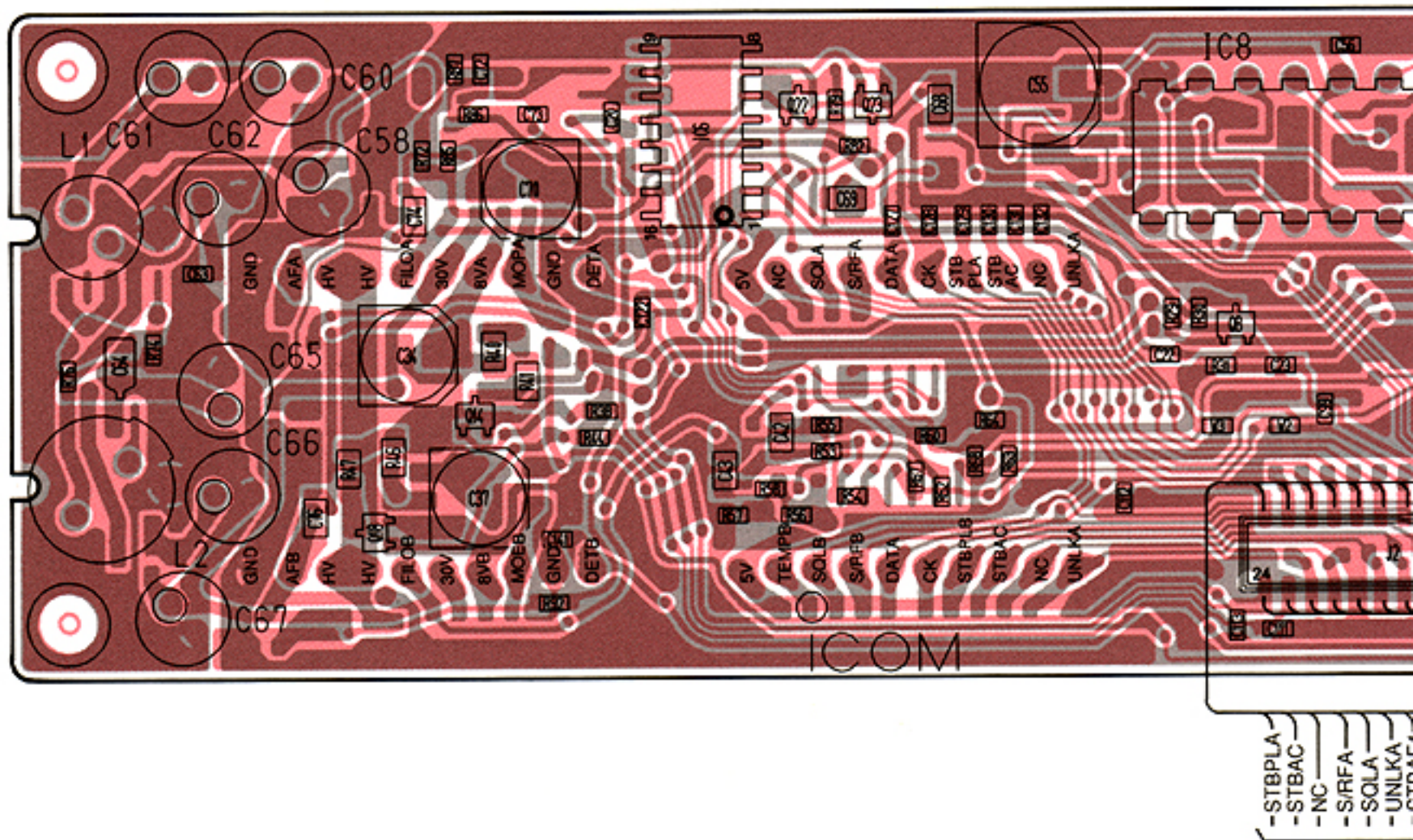


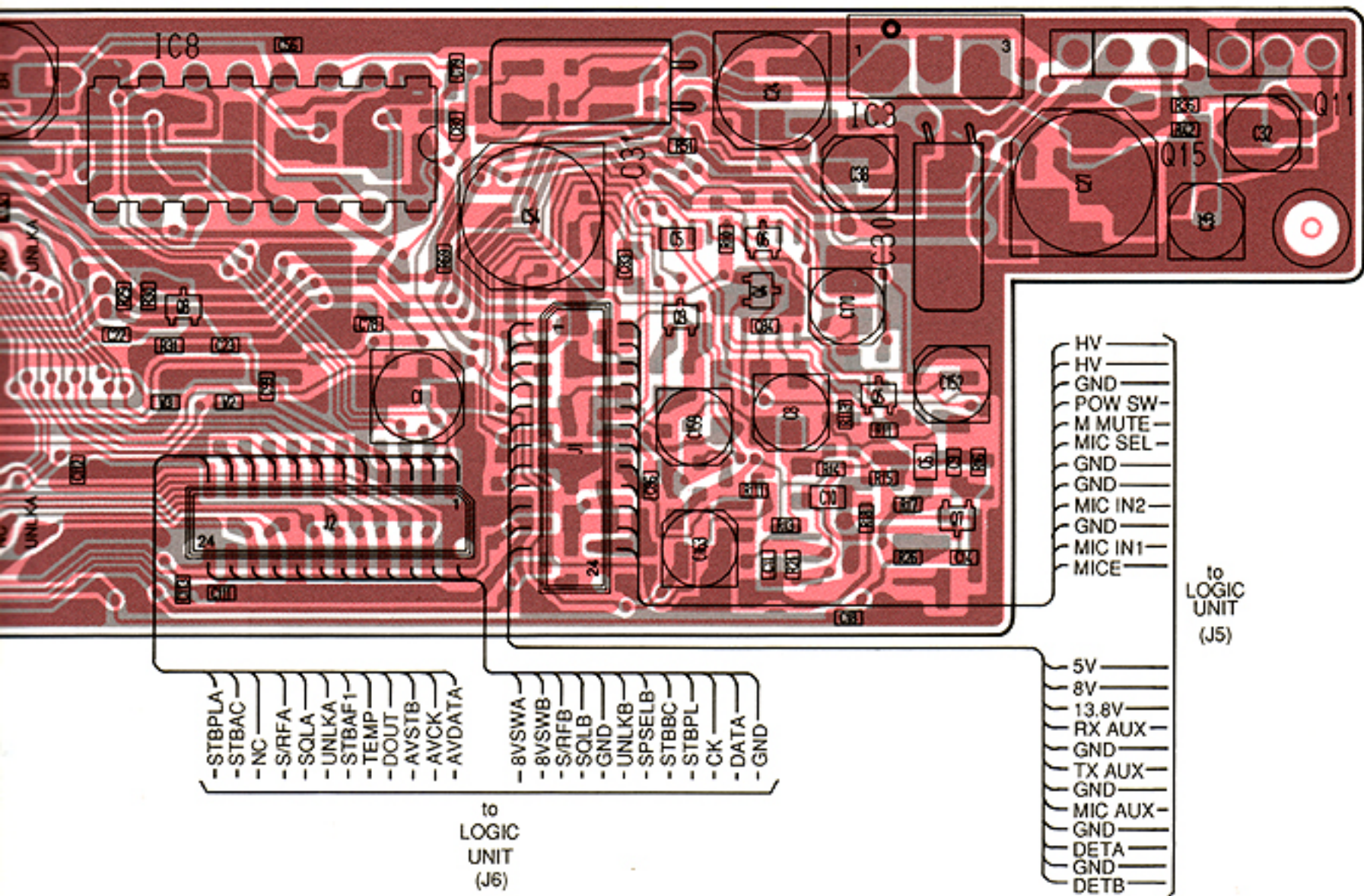
• TONE UNIT (USA, KOR only)



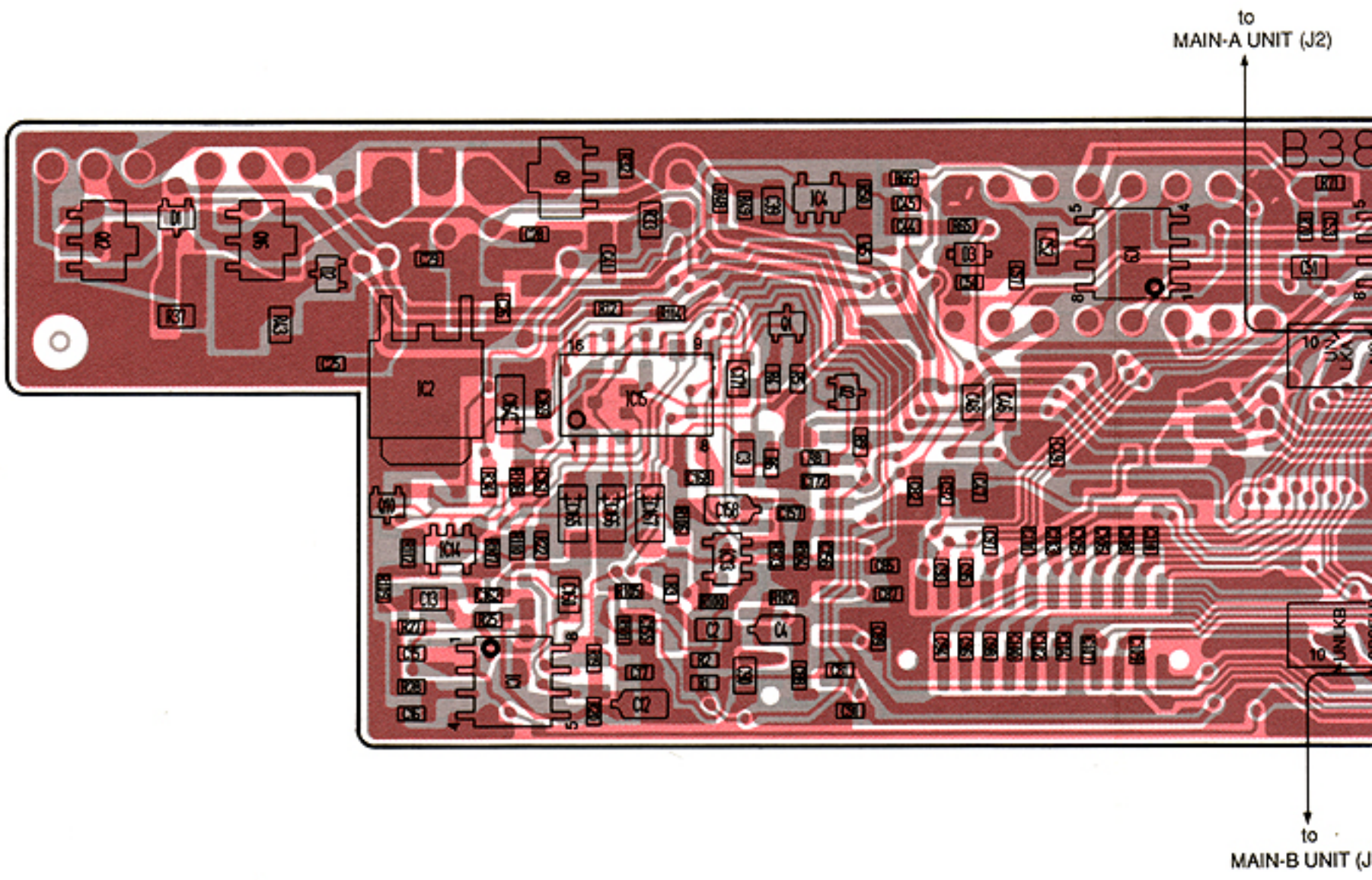
8-3 AF UNIT

• AF UNIT



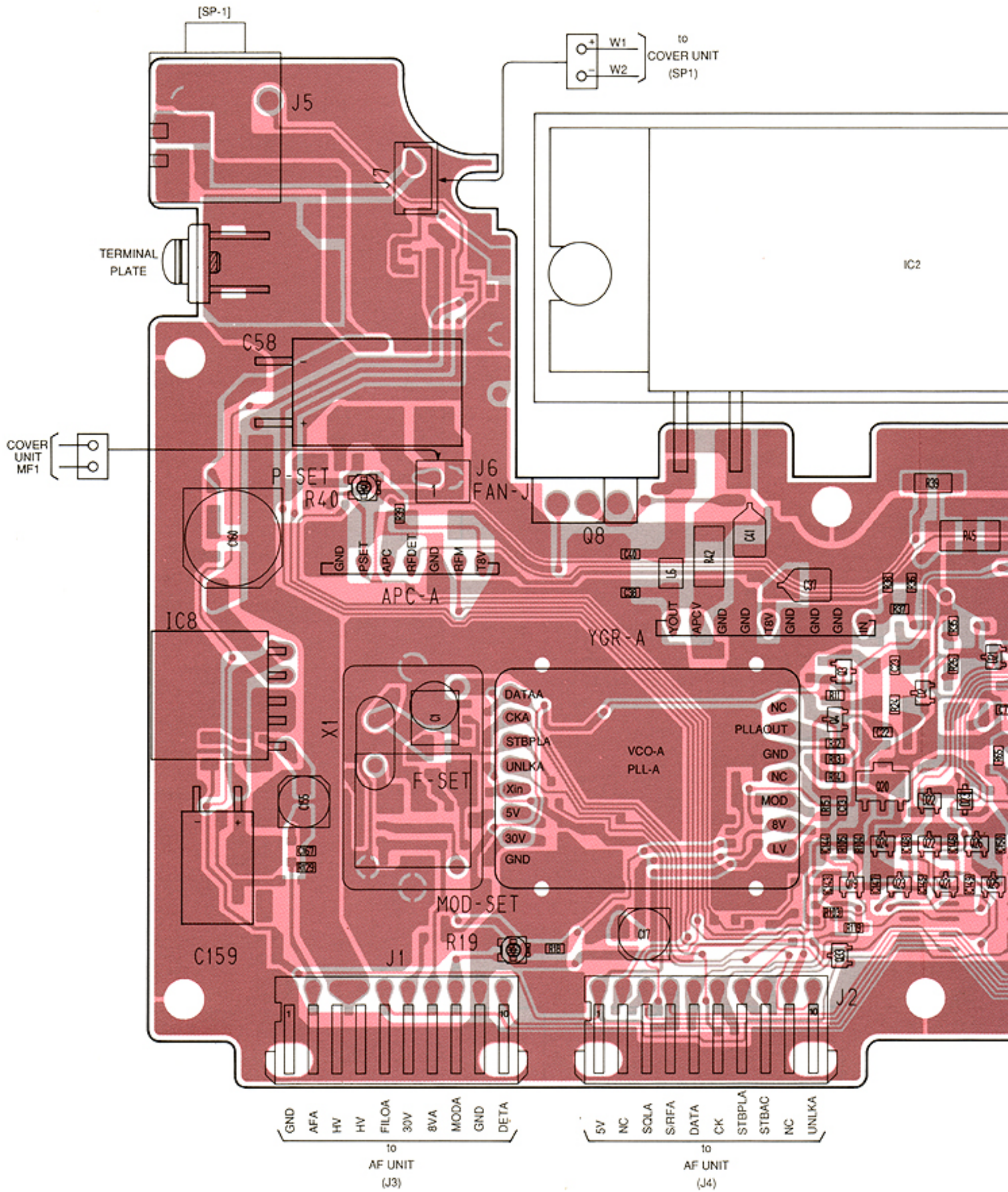


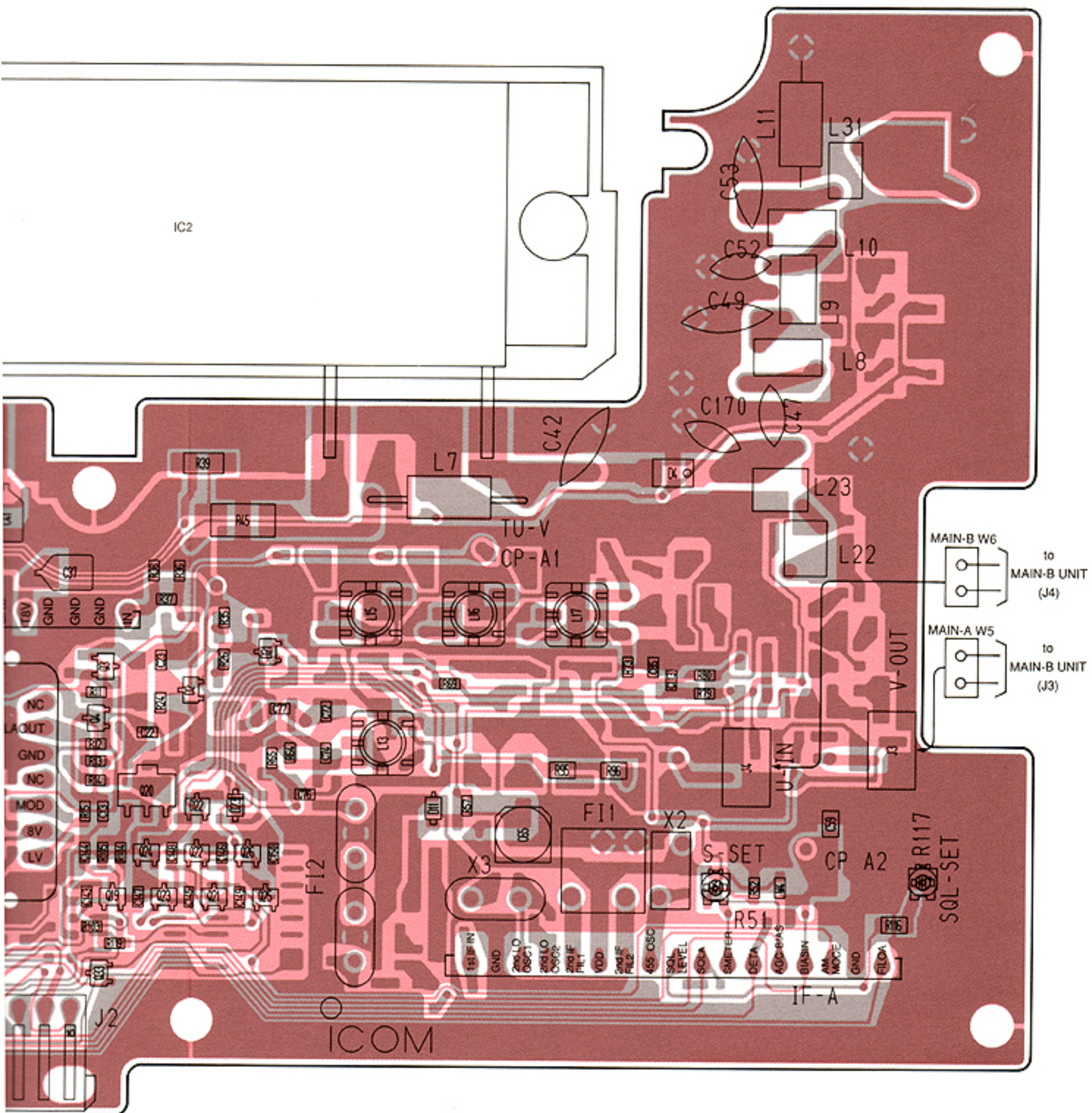
• AF UNIT



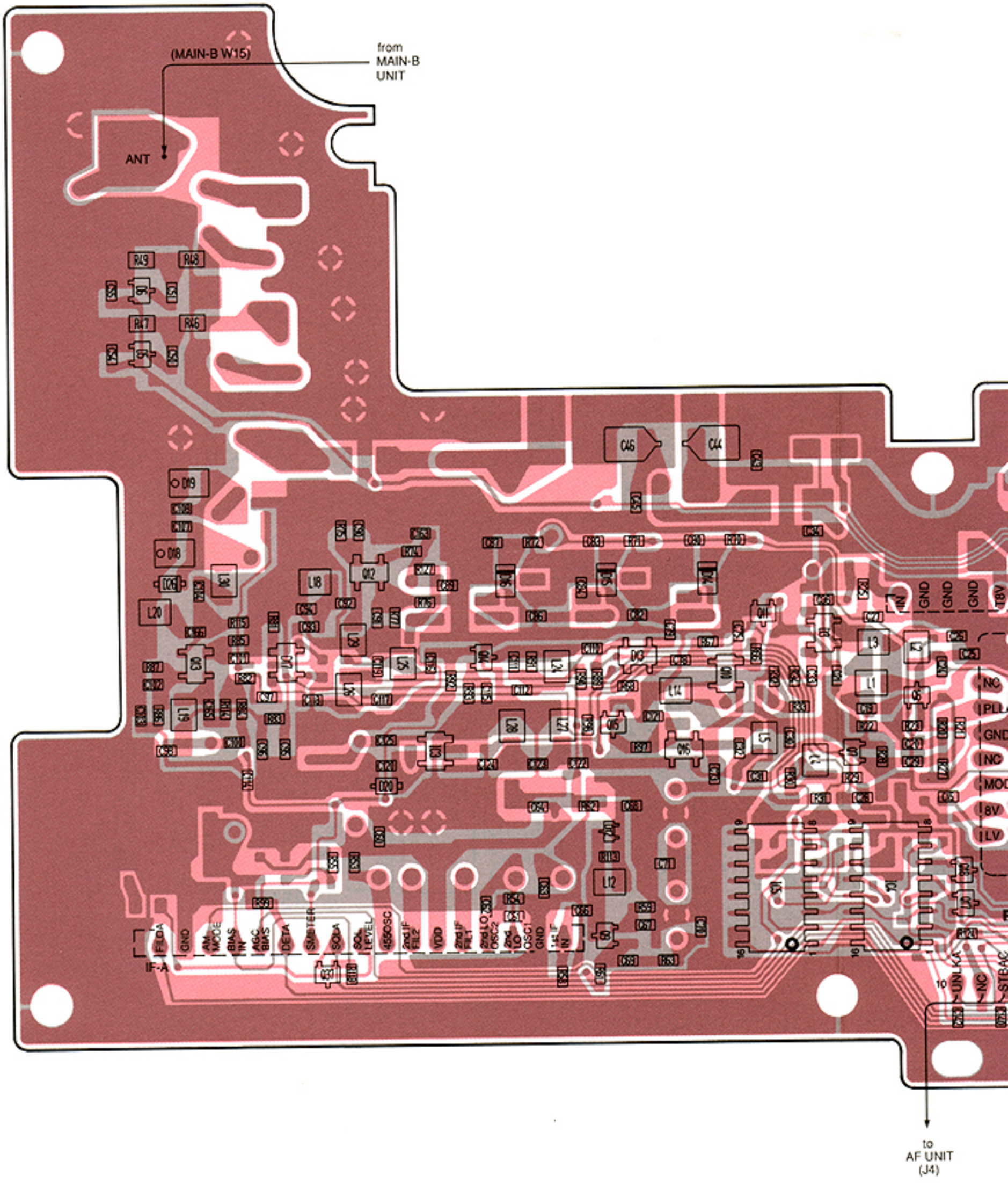
8-4 MAIN-A UNIT

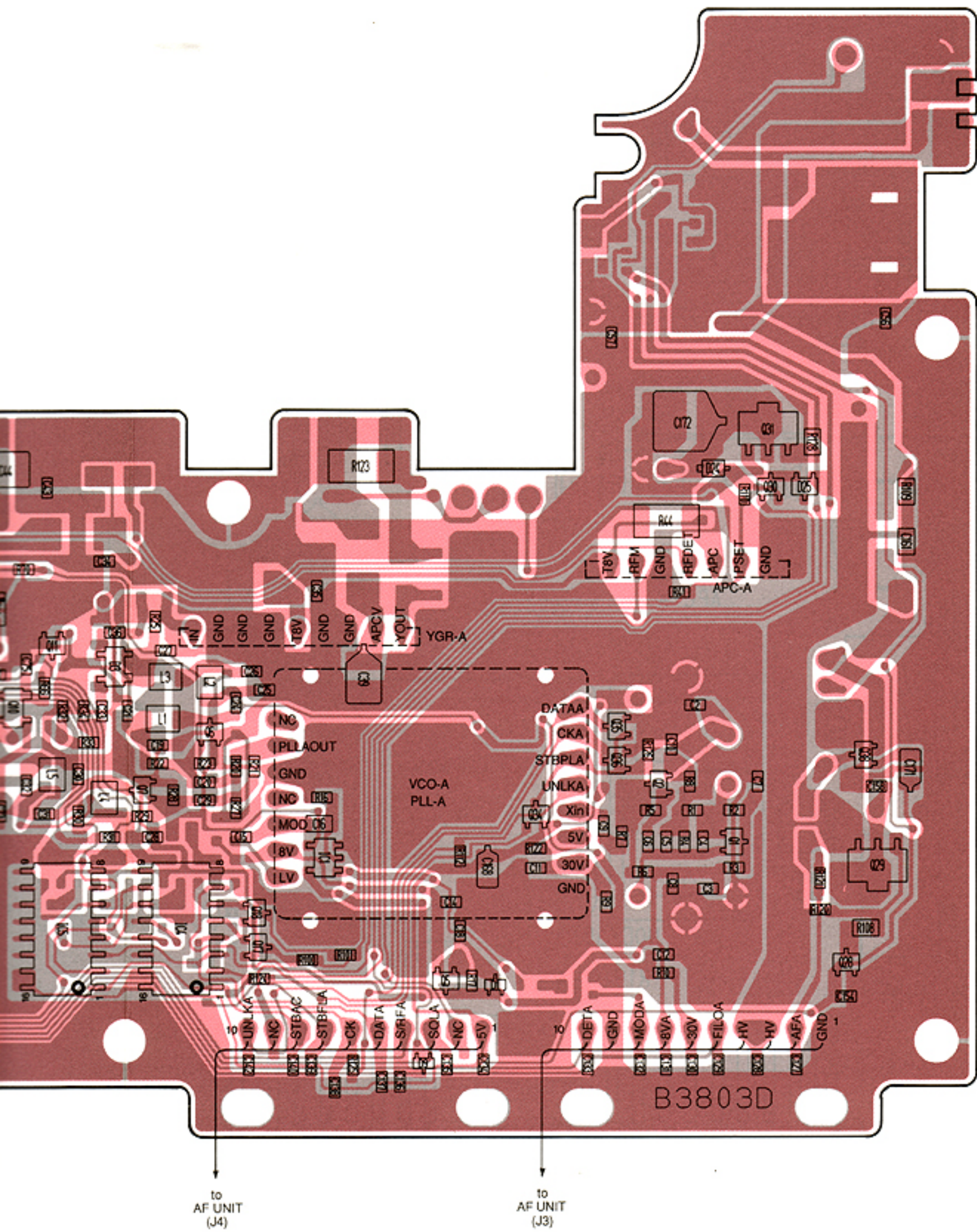
• MAIN-A UNIT



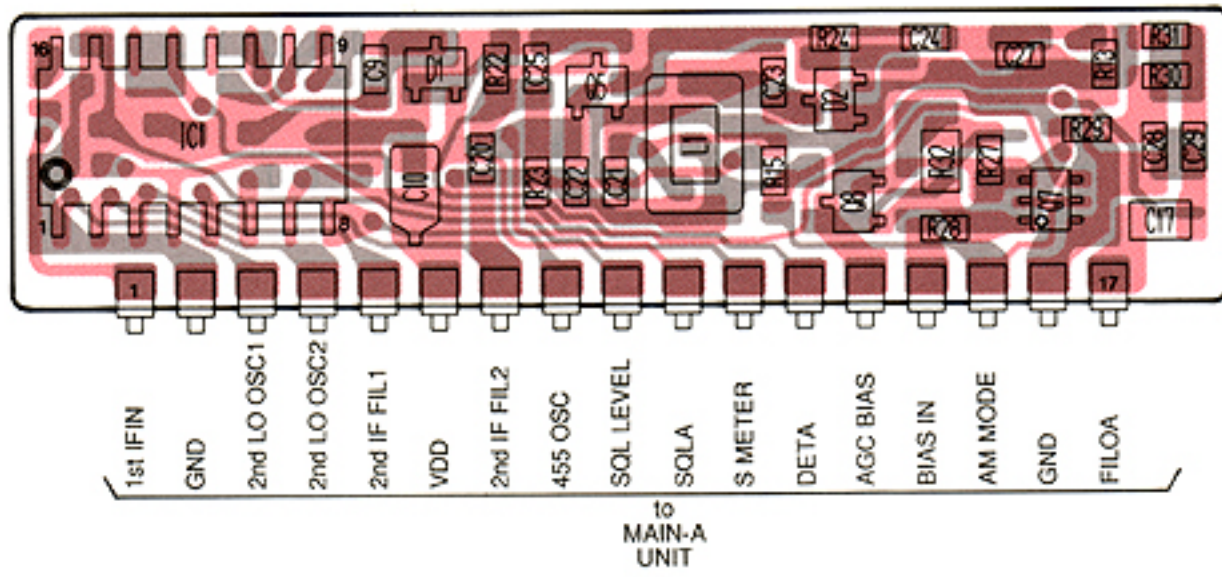


• MAIN-A UNIT

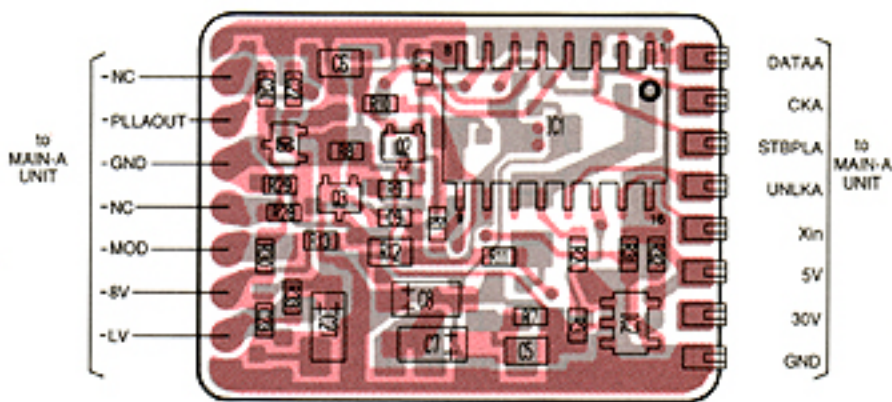




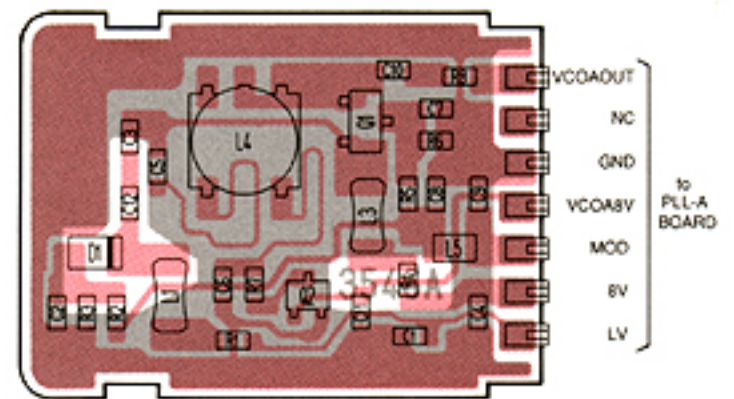
• IF-A BOARD



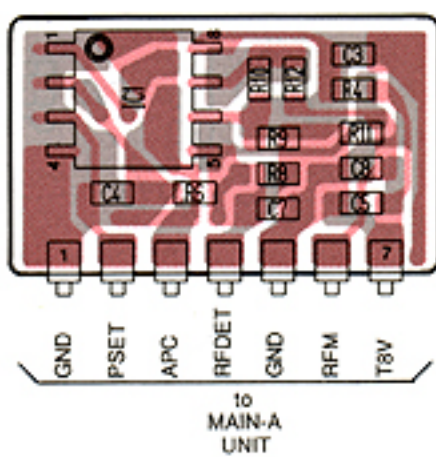
• PLL-A BOARD



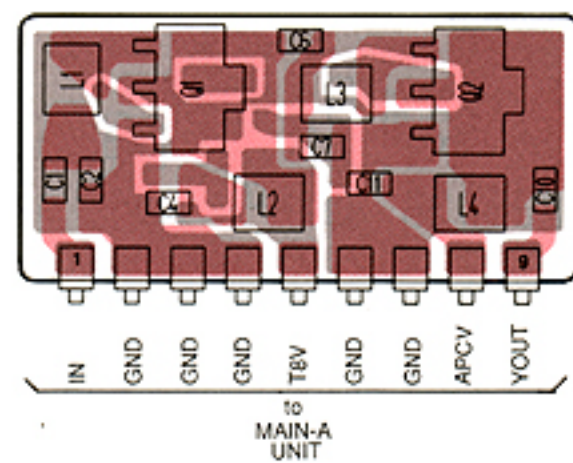
• VCO-A BOARD



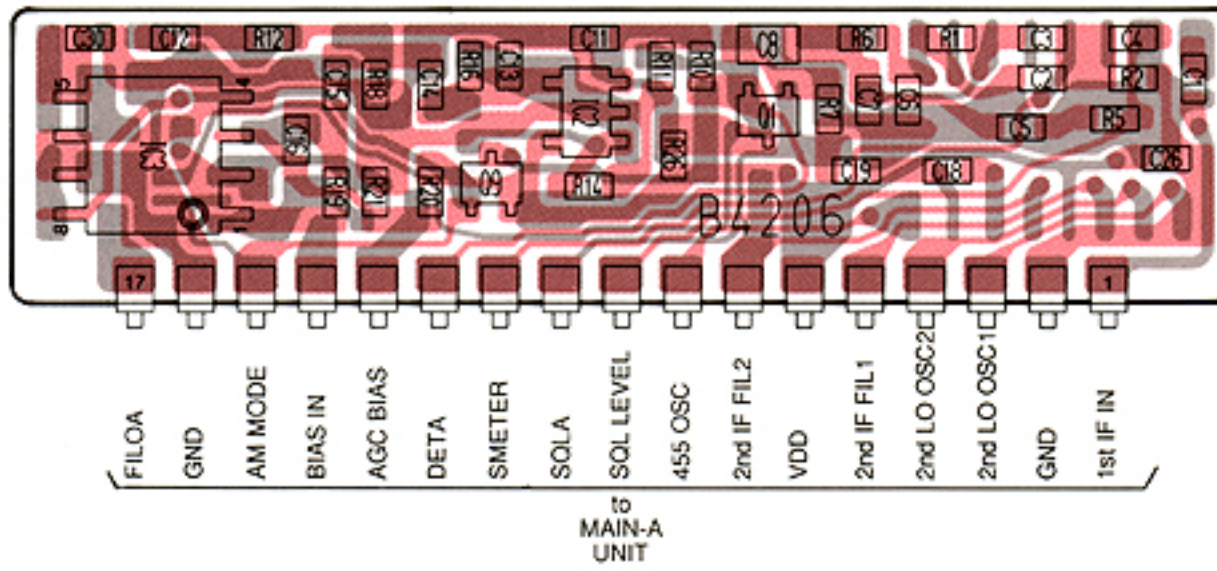
• APC-A BOARD



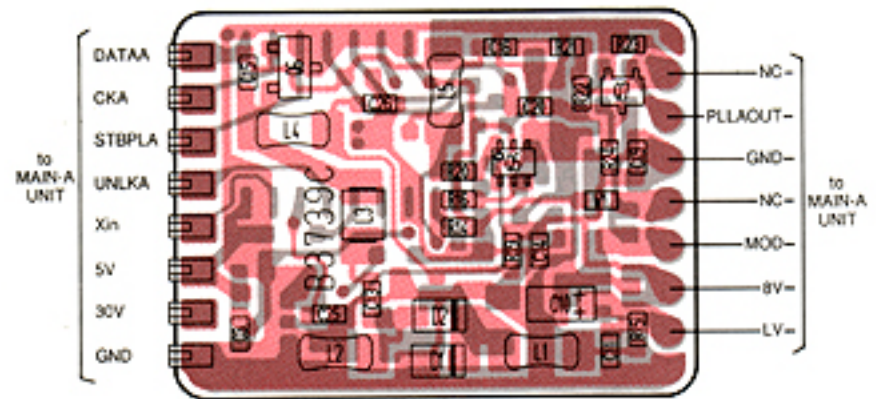
• YGR-A BOARD



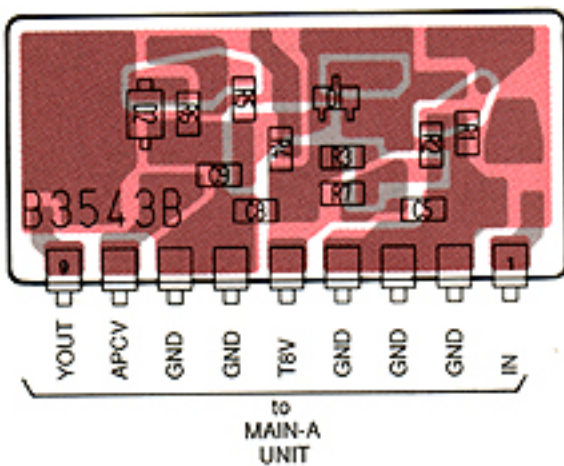
• IF-A BOARD



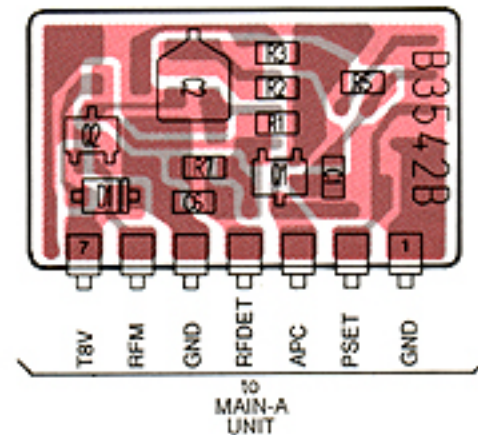
• PLL-A BOARD



• YGR-A BOARD

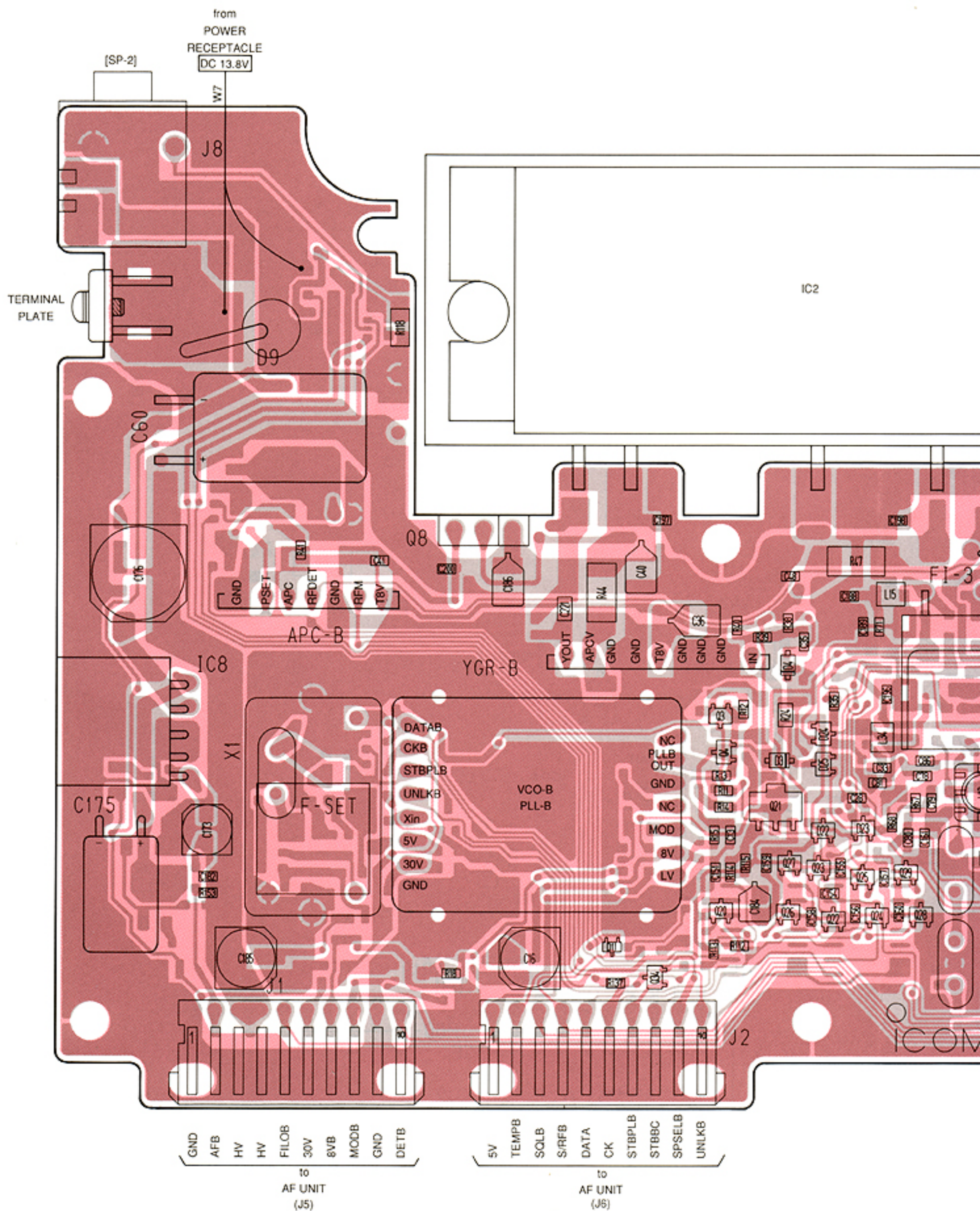


• APC-A BOARD

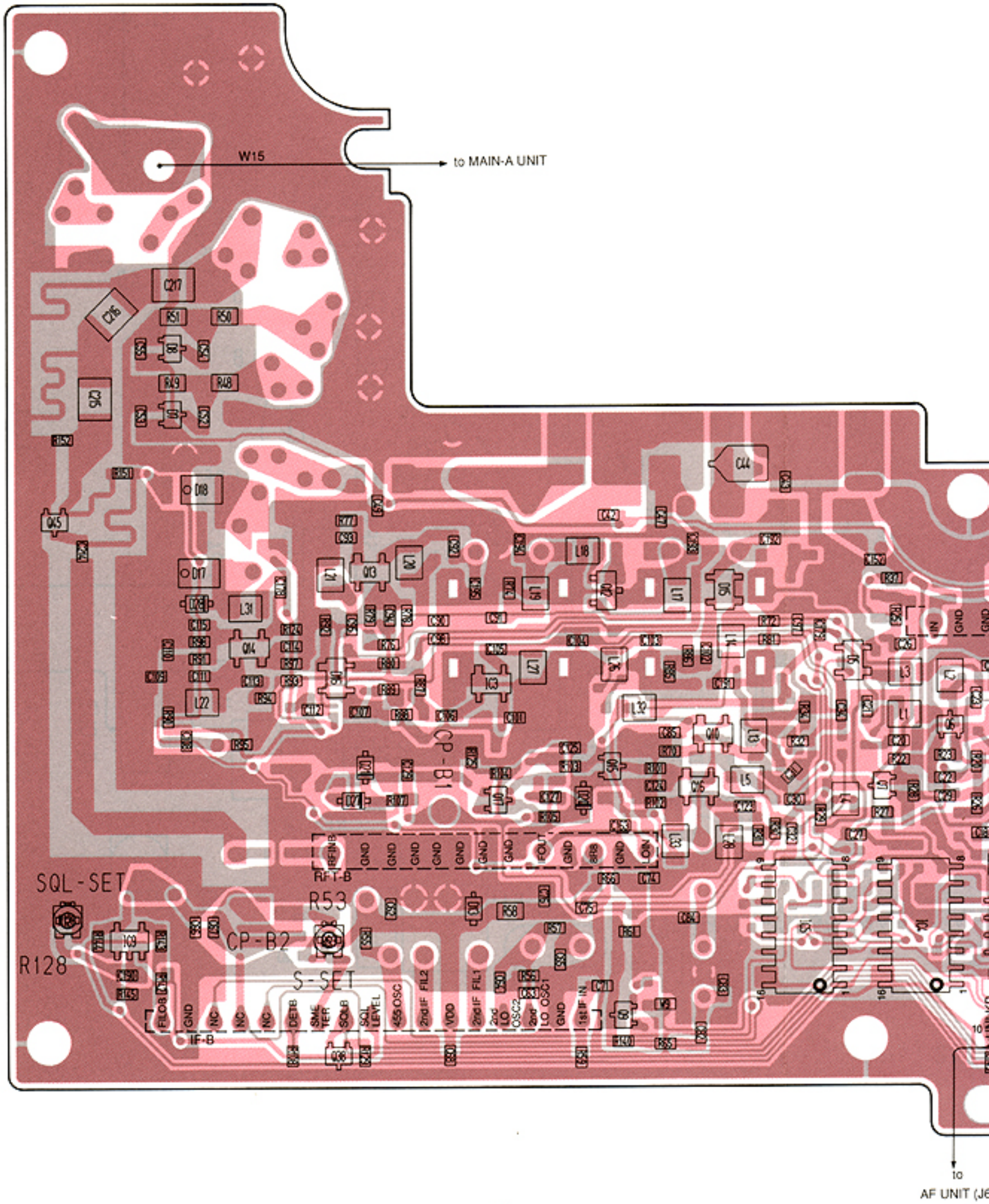


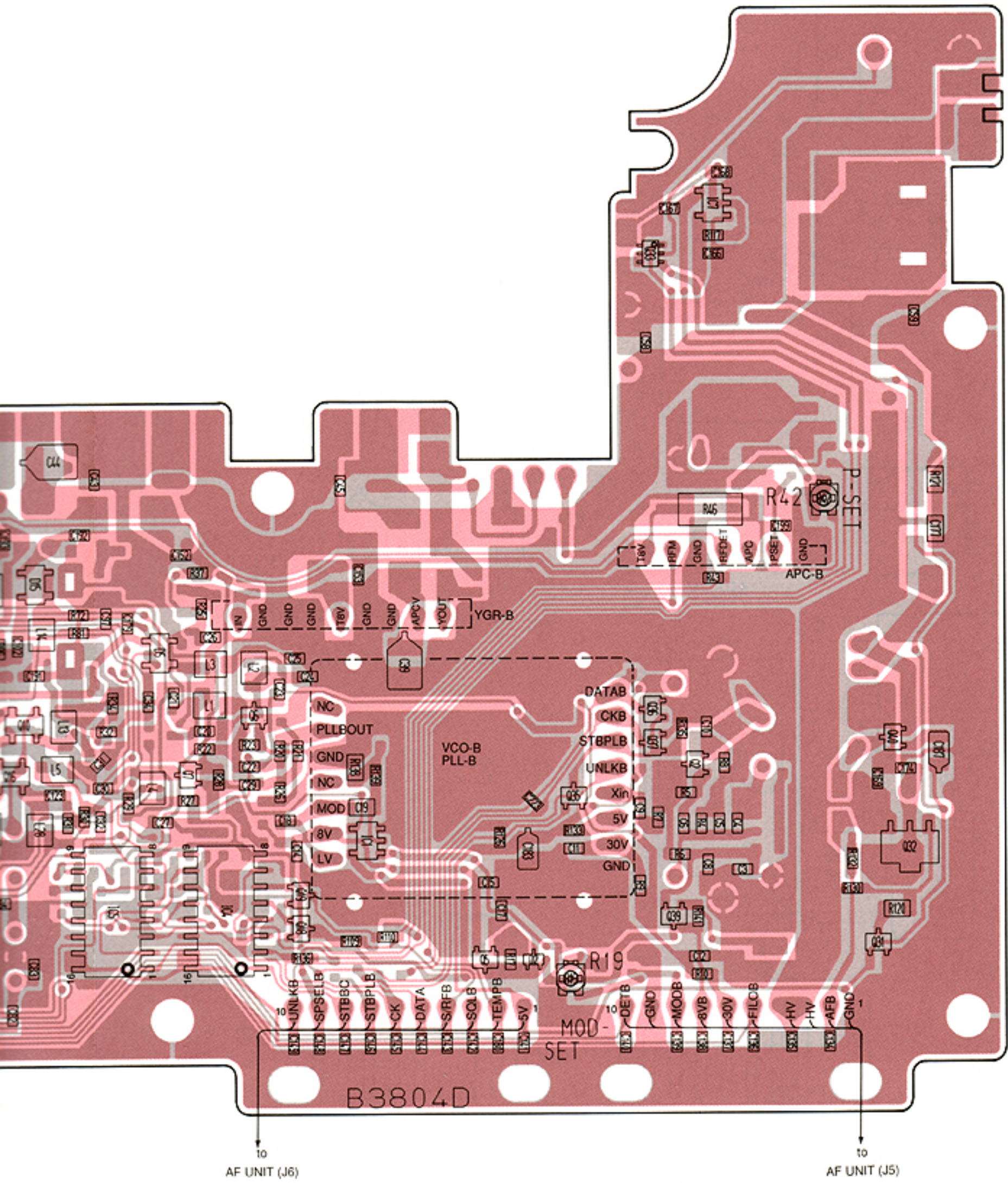
8-5 MAIN-B UNIT

• MAIN-B UNIT

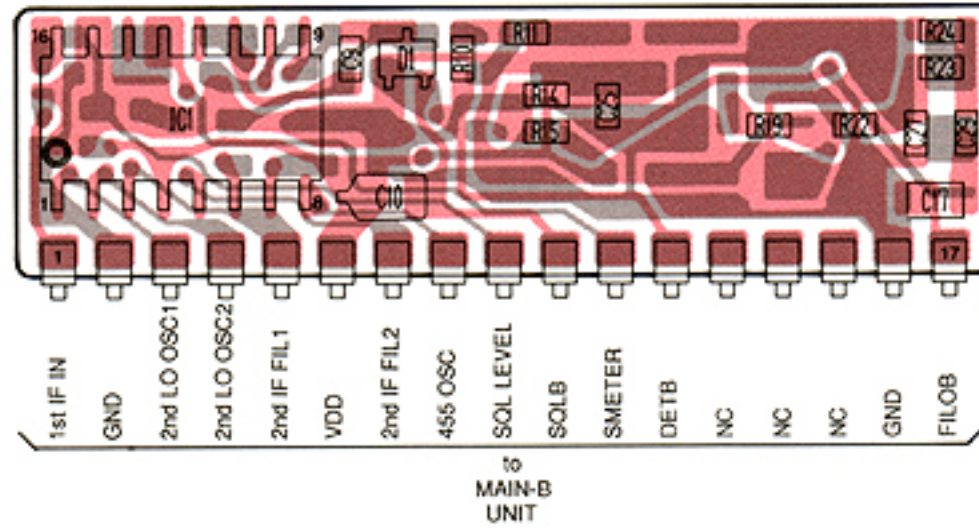


• MAIN-B UNIT

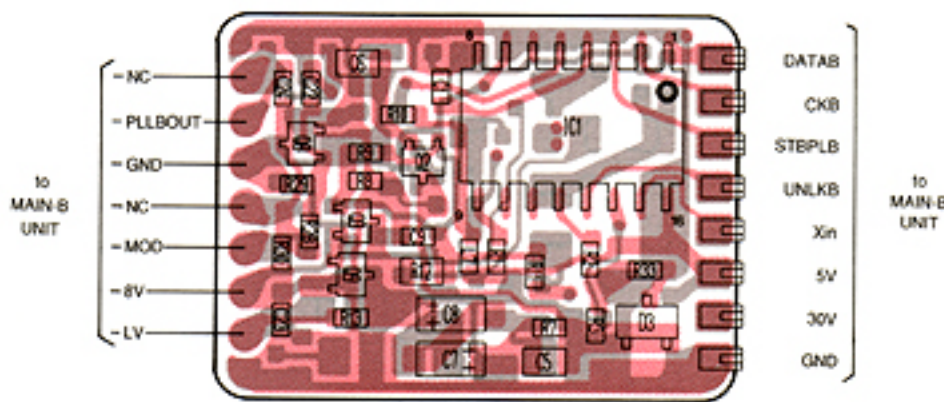




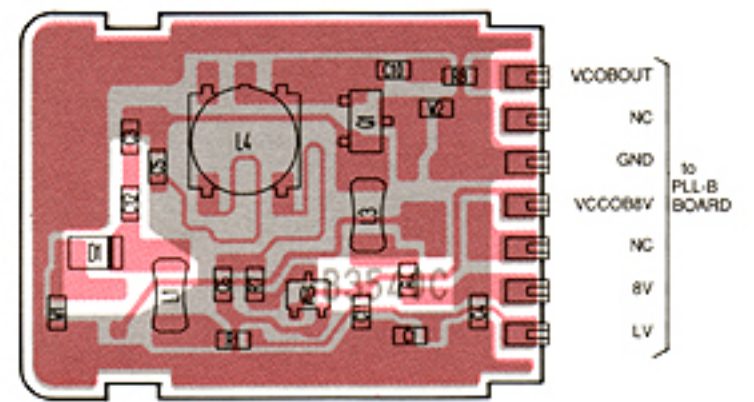
• IF-B BOARD



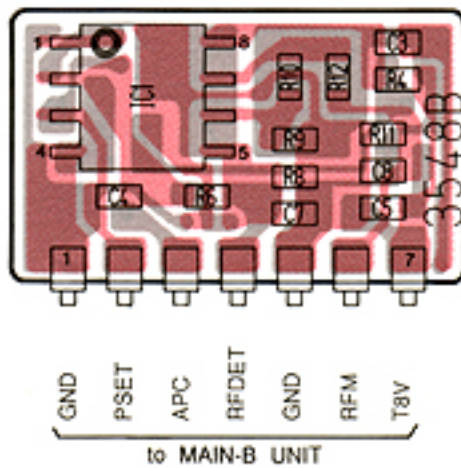
• PLL-B BOARD



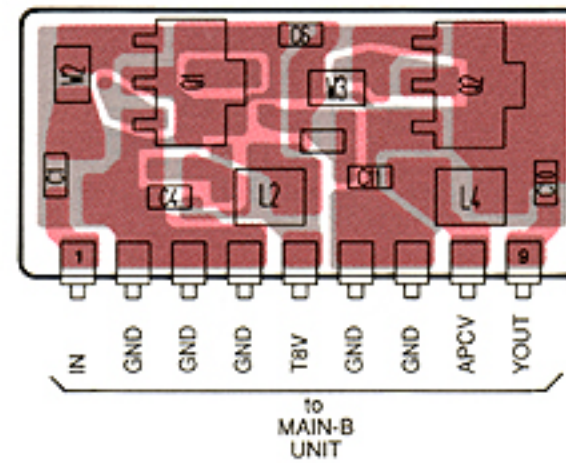
• VCO-B BOARD



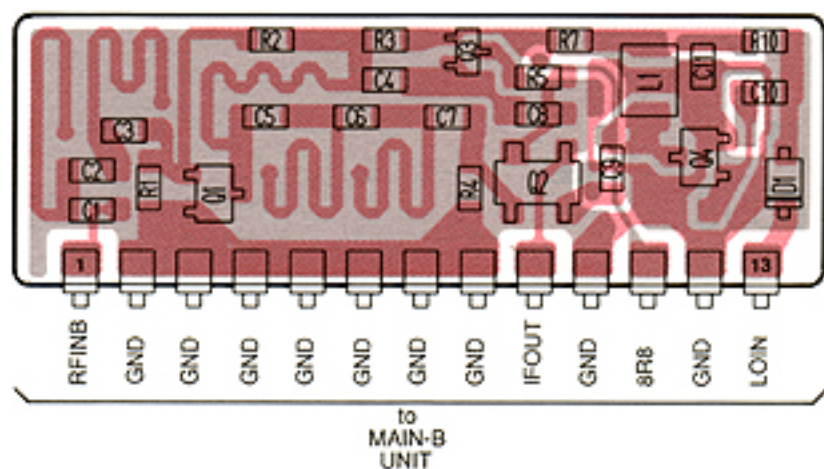
• APC-B BOARD



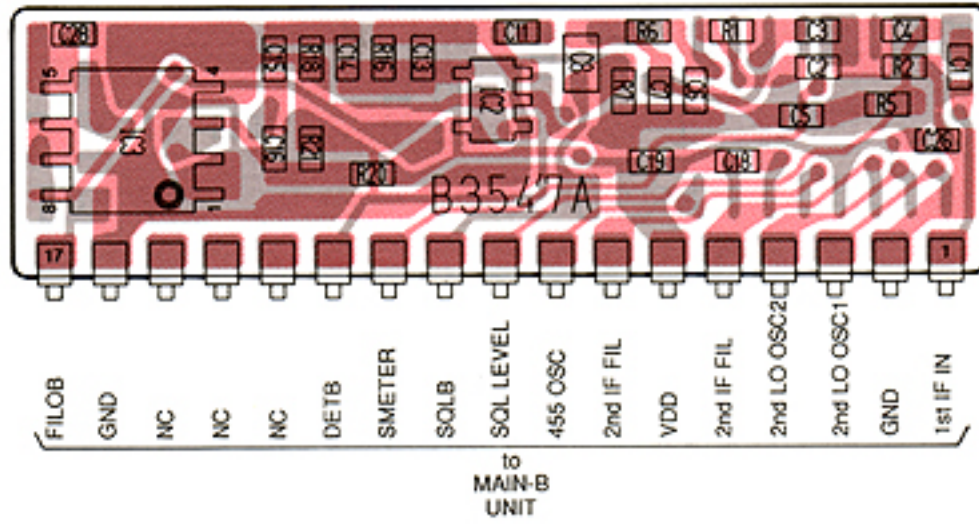
• YGR-B BOARD



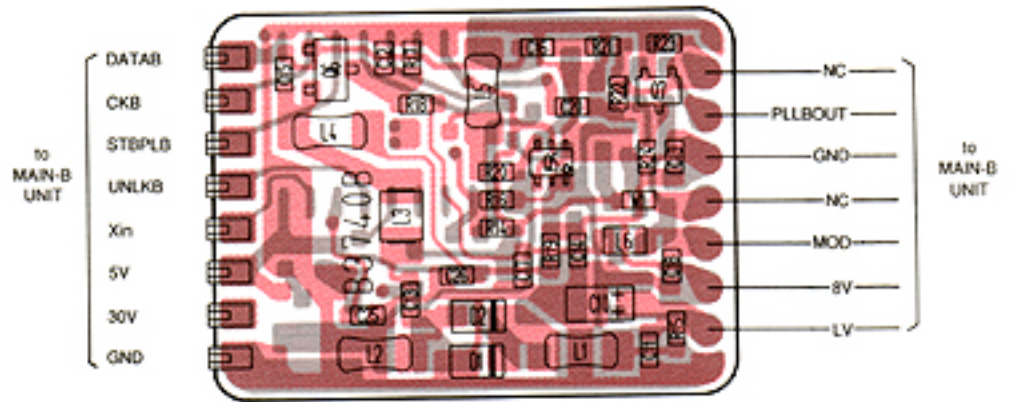
• RFT-B BOARD



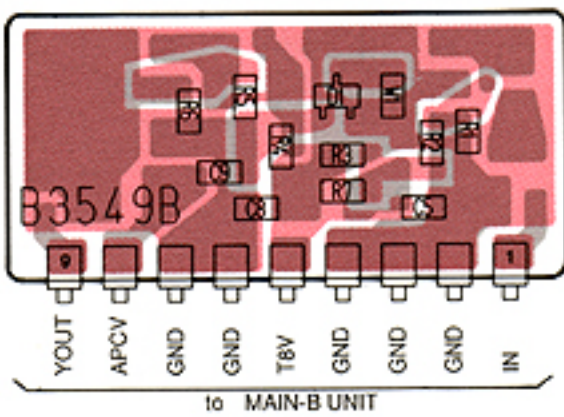
• IF-B BAORD



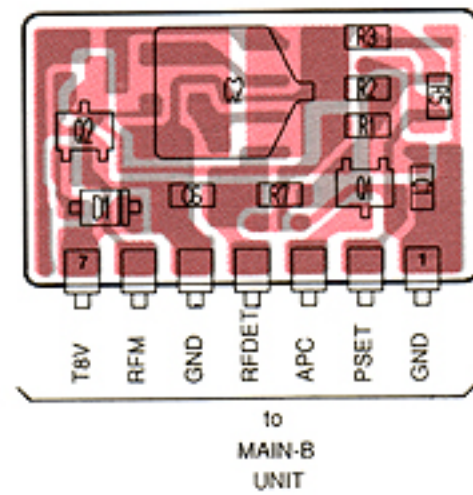
• PLL-B BOARD



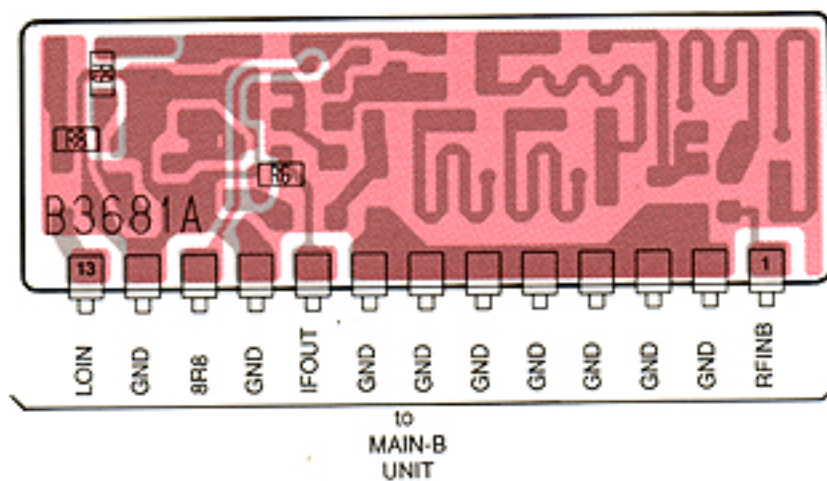
• YGR-B BOARD



• APC-B BOARD

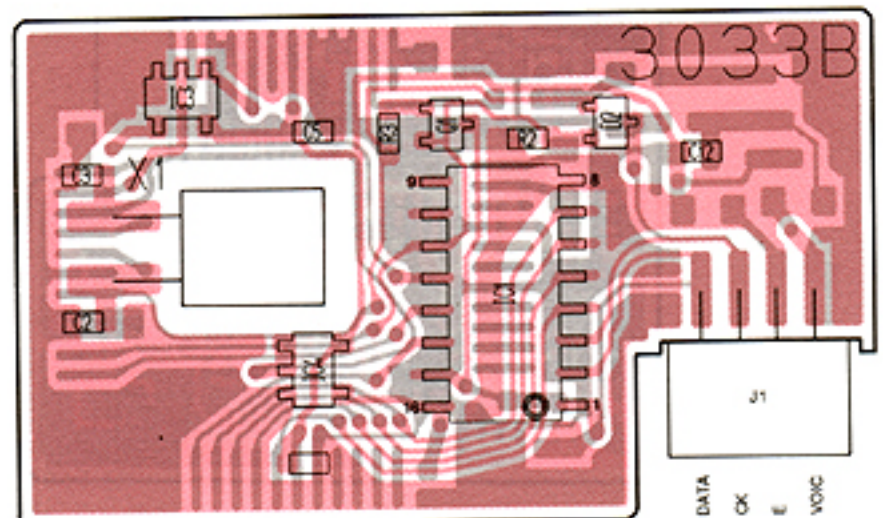
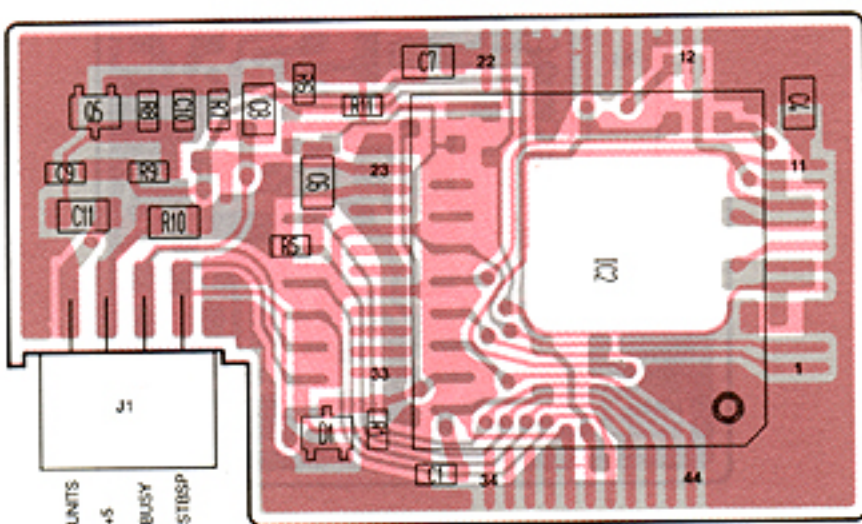
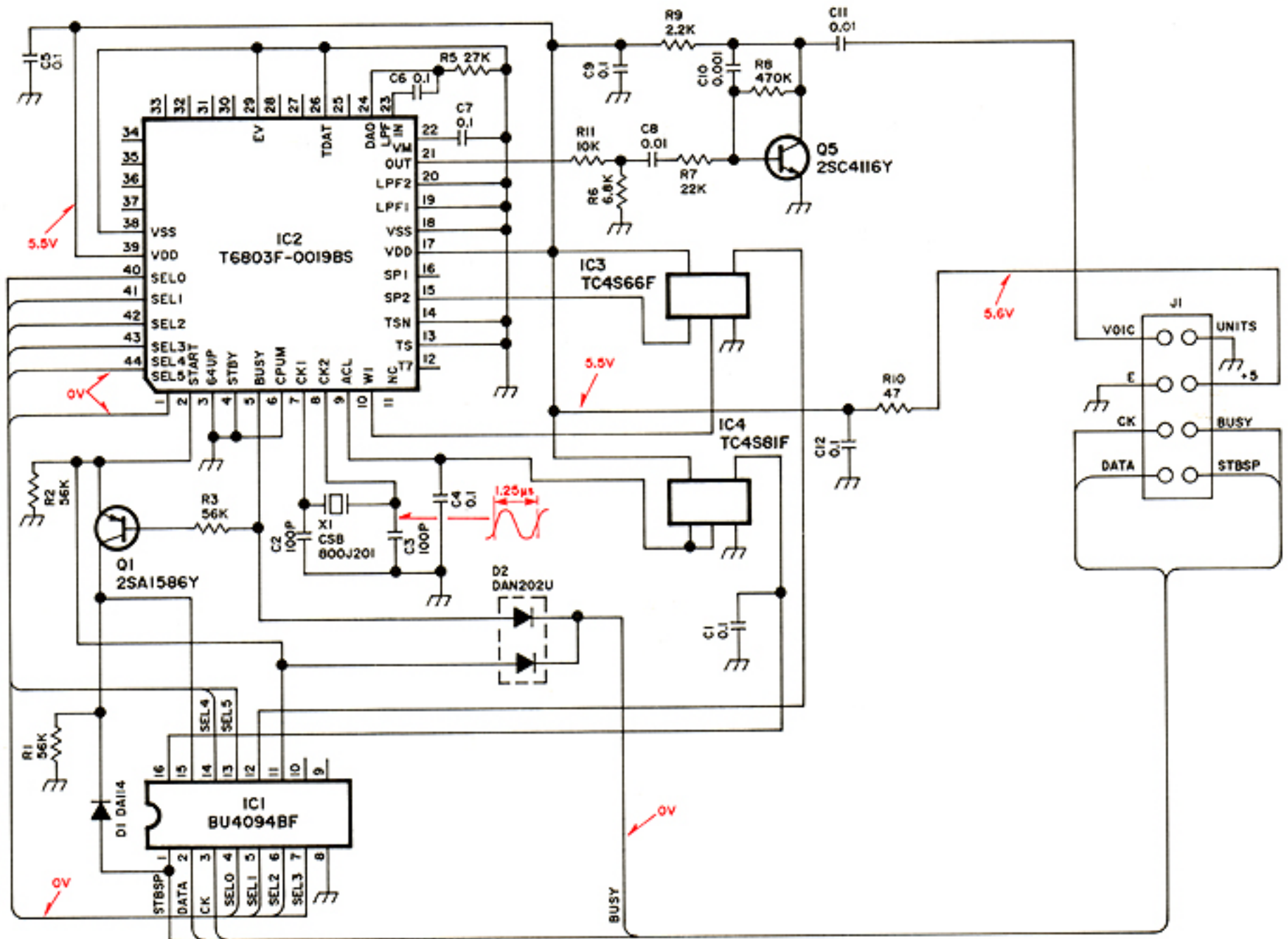


• RFT-B BAORD

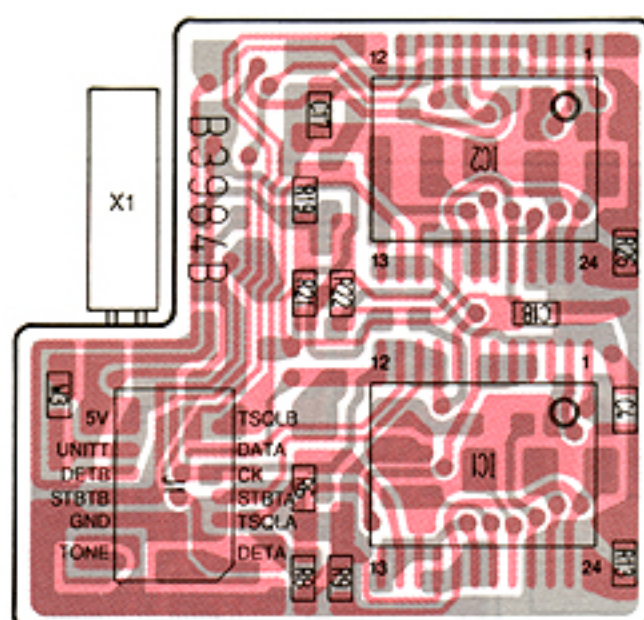
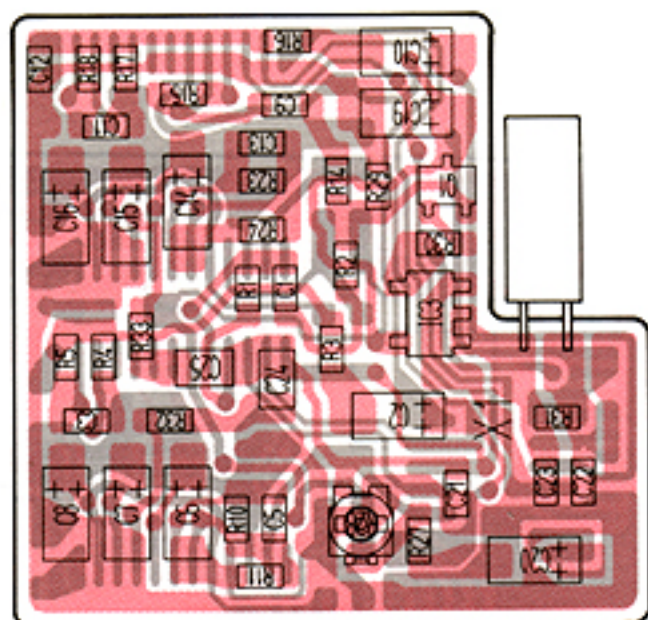
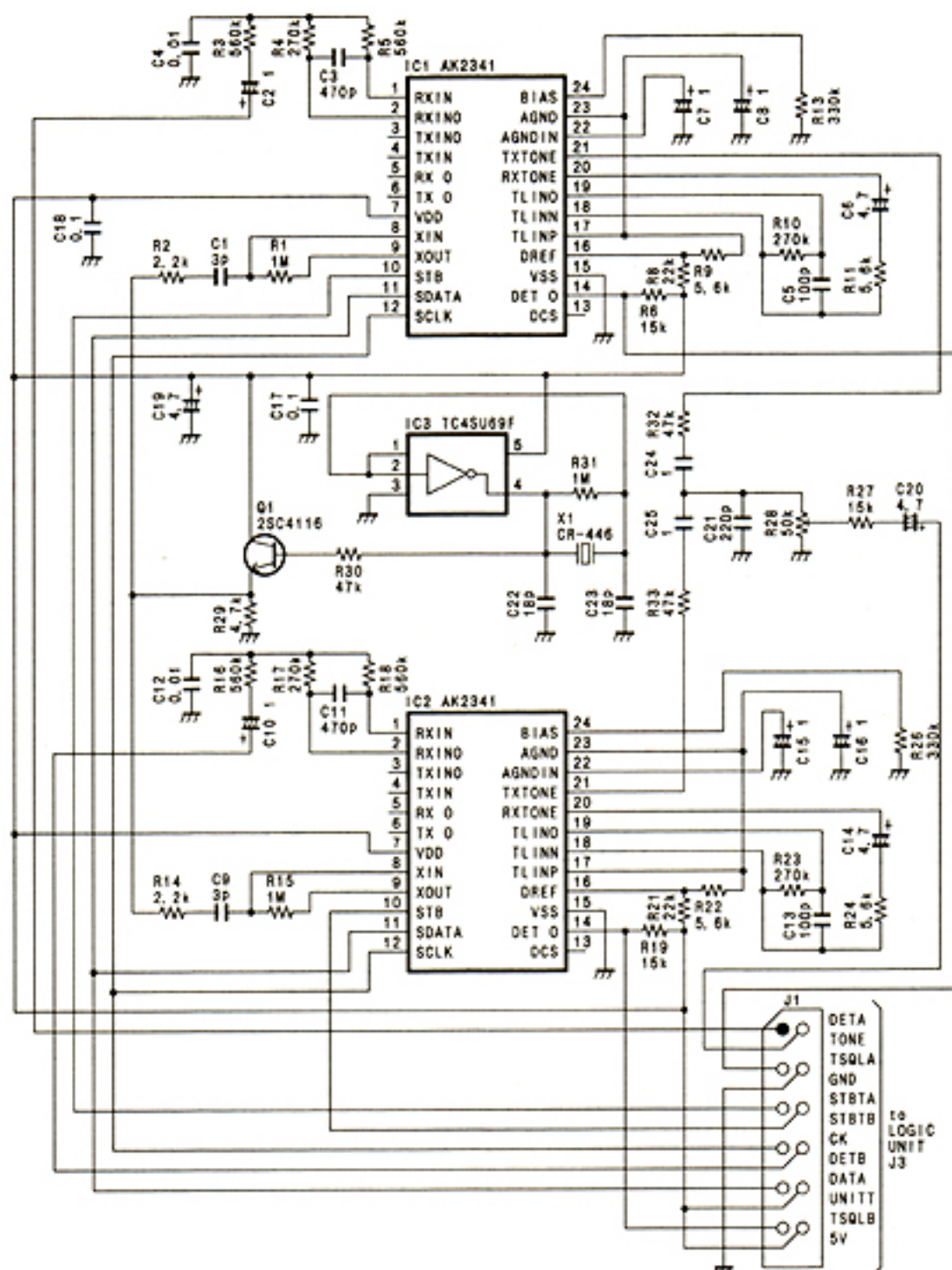


SECTION 9 OPTIONAL UNITS

9-1 UT-66 VOICE SYNTHESIZER UNIT

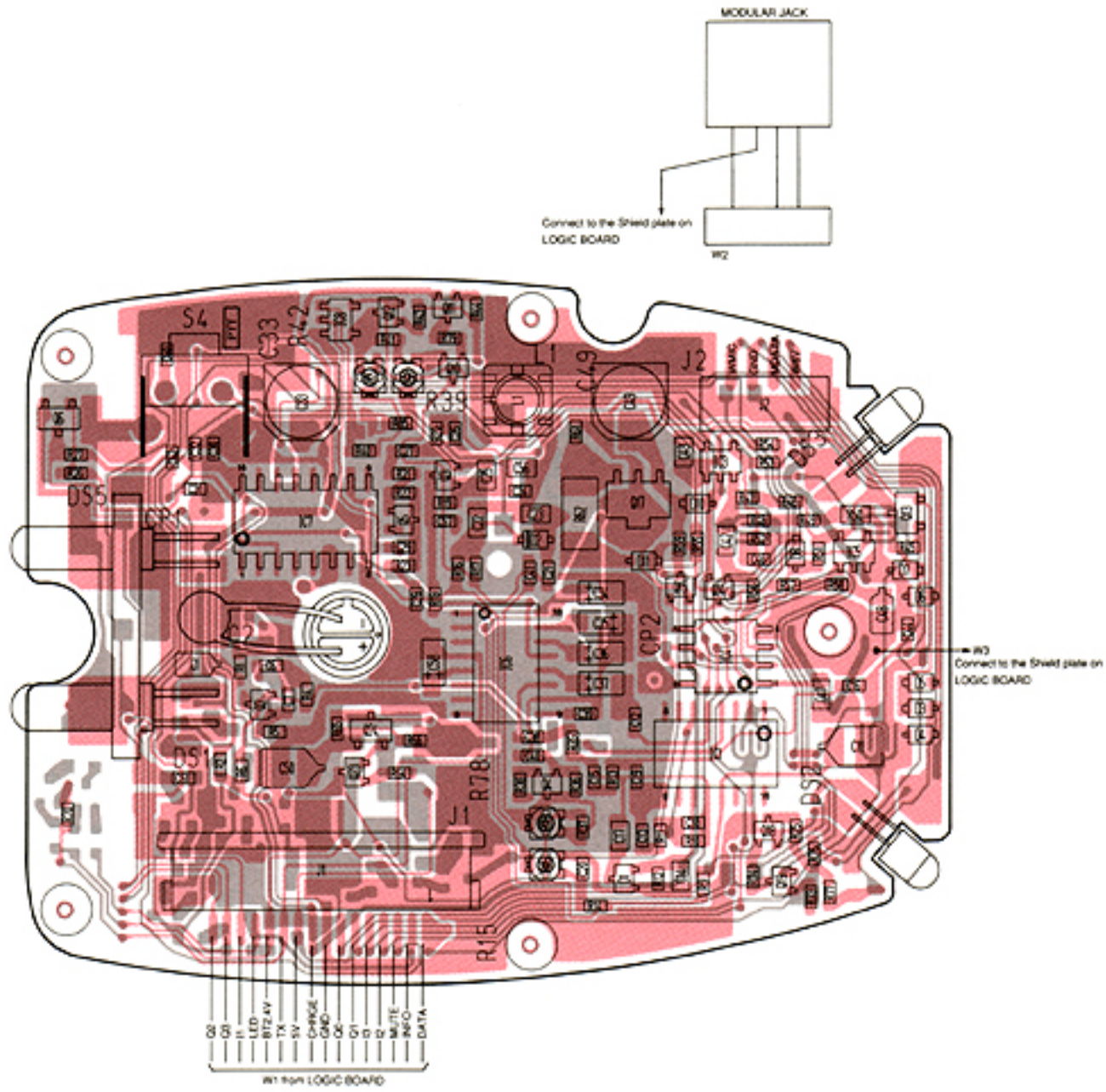


9-2 UT-84 TONE SQUELCH UNIT

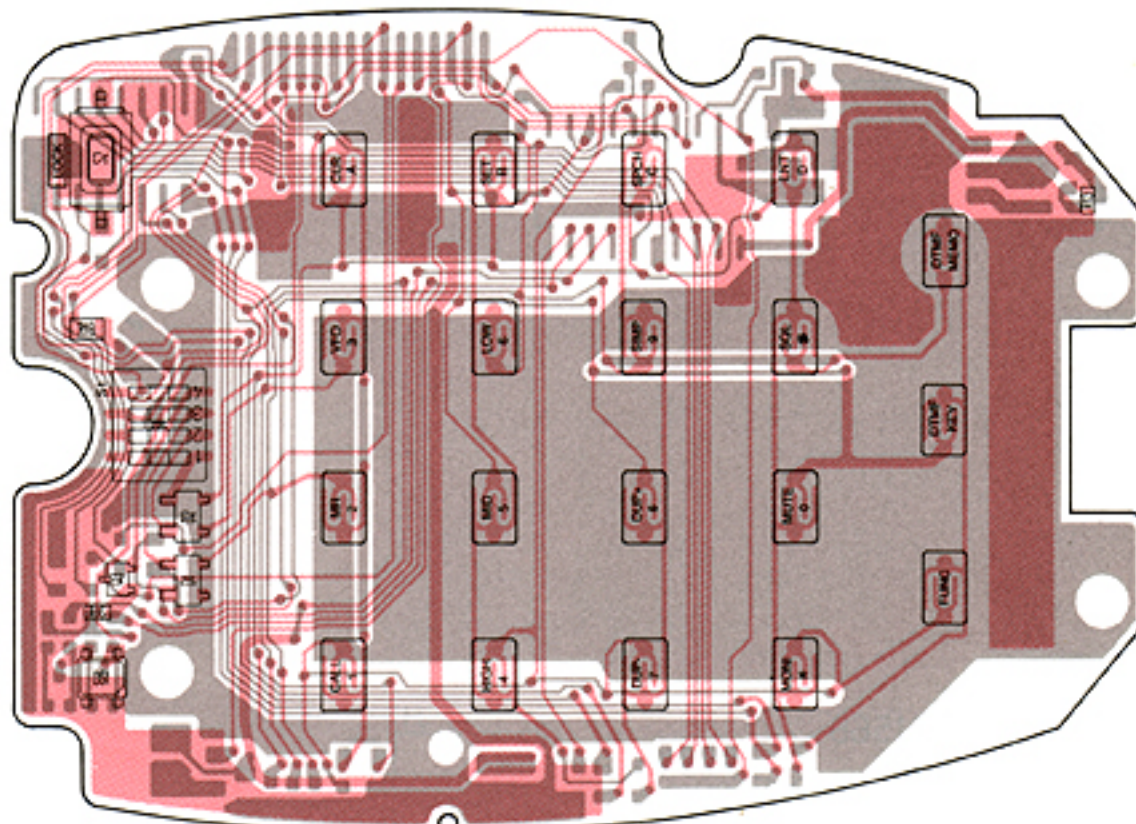


9-3 HM-90 WIRELESS MICROPHONE

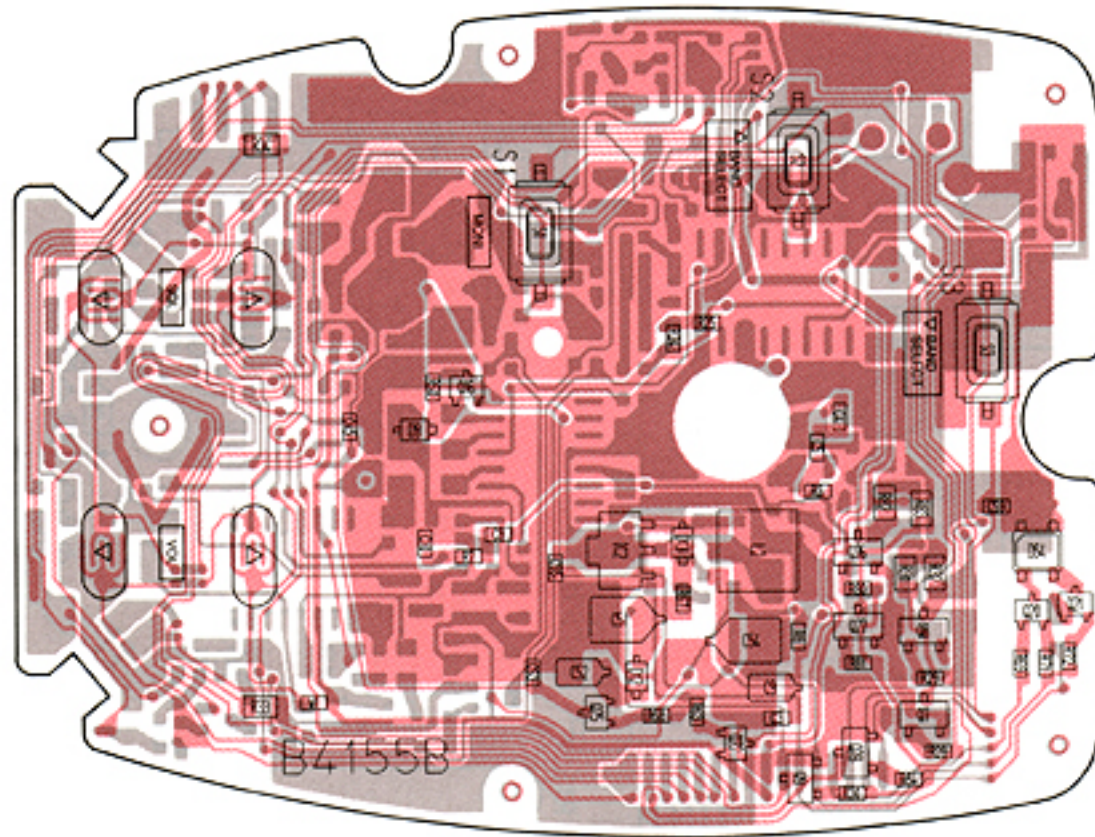
• MAIN BOARD



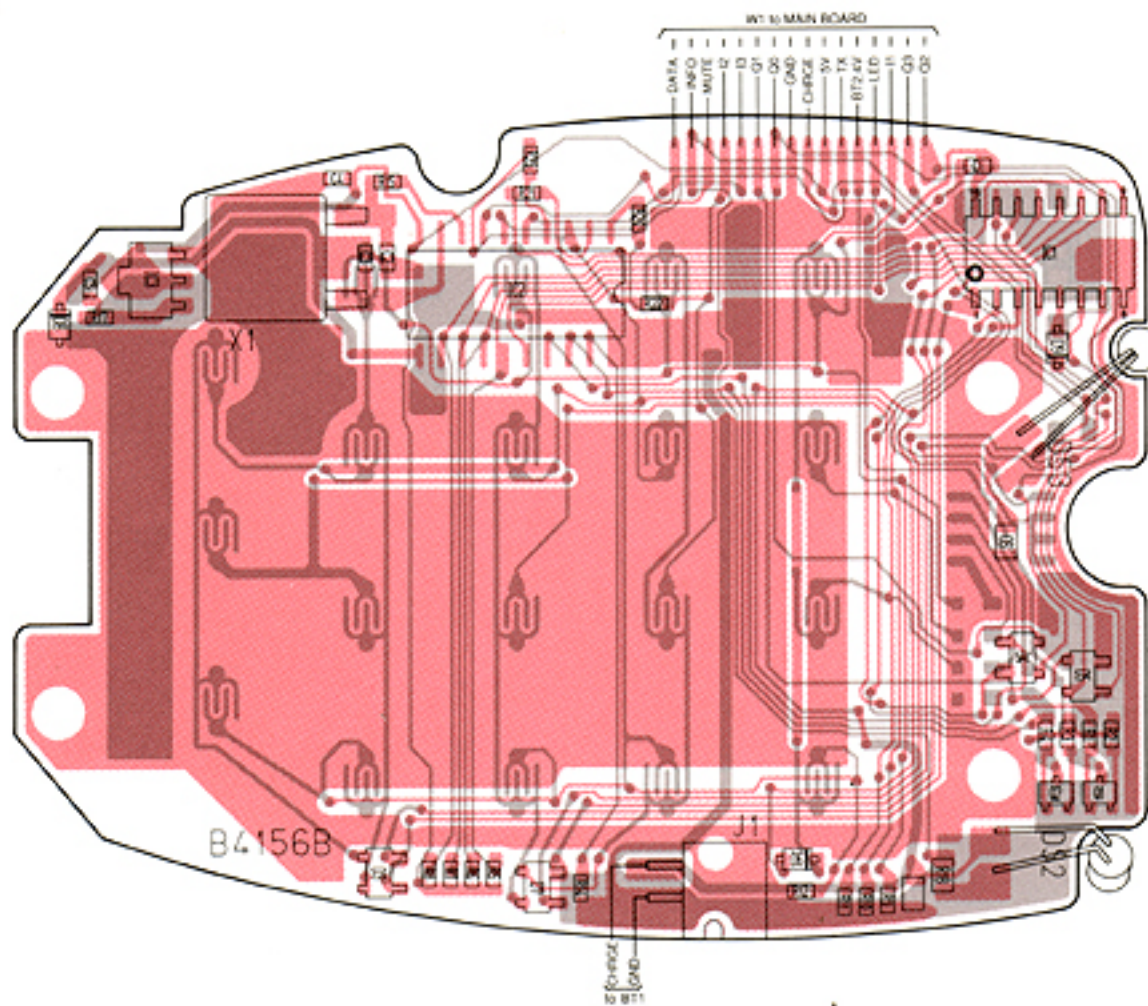
• LOGIC BOARD



• MAIN BOARD

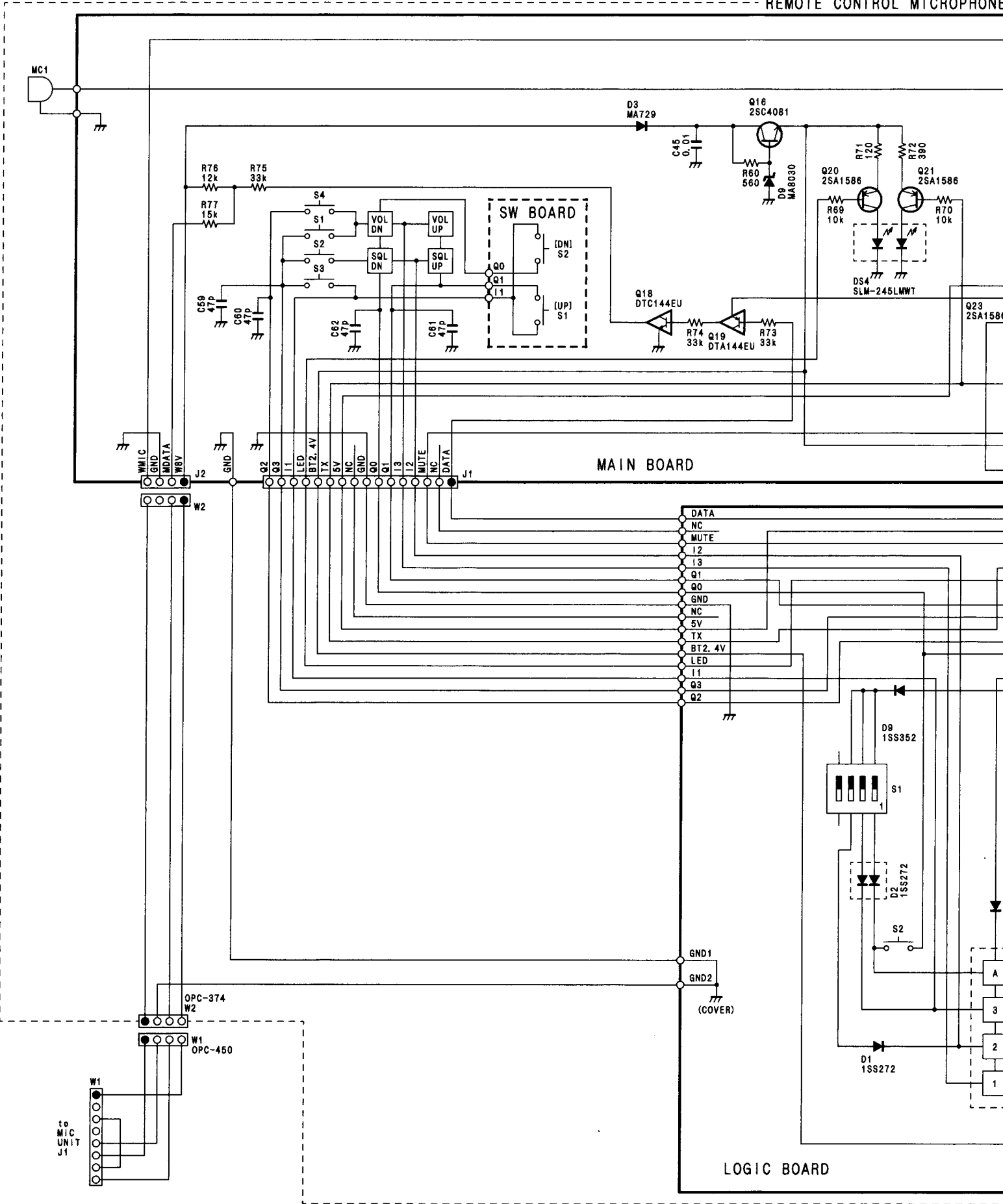


• LOGIC BOARD



9-4 HM-92 REMOTE CONTROL MICROPHONE

REMOTE CONTROL MICROPHONE

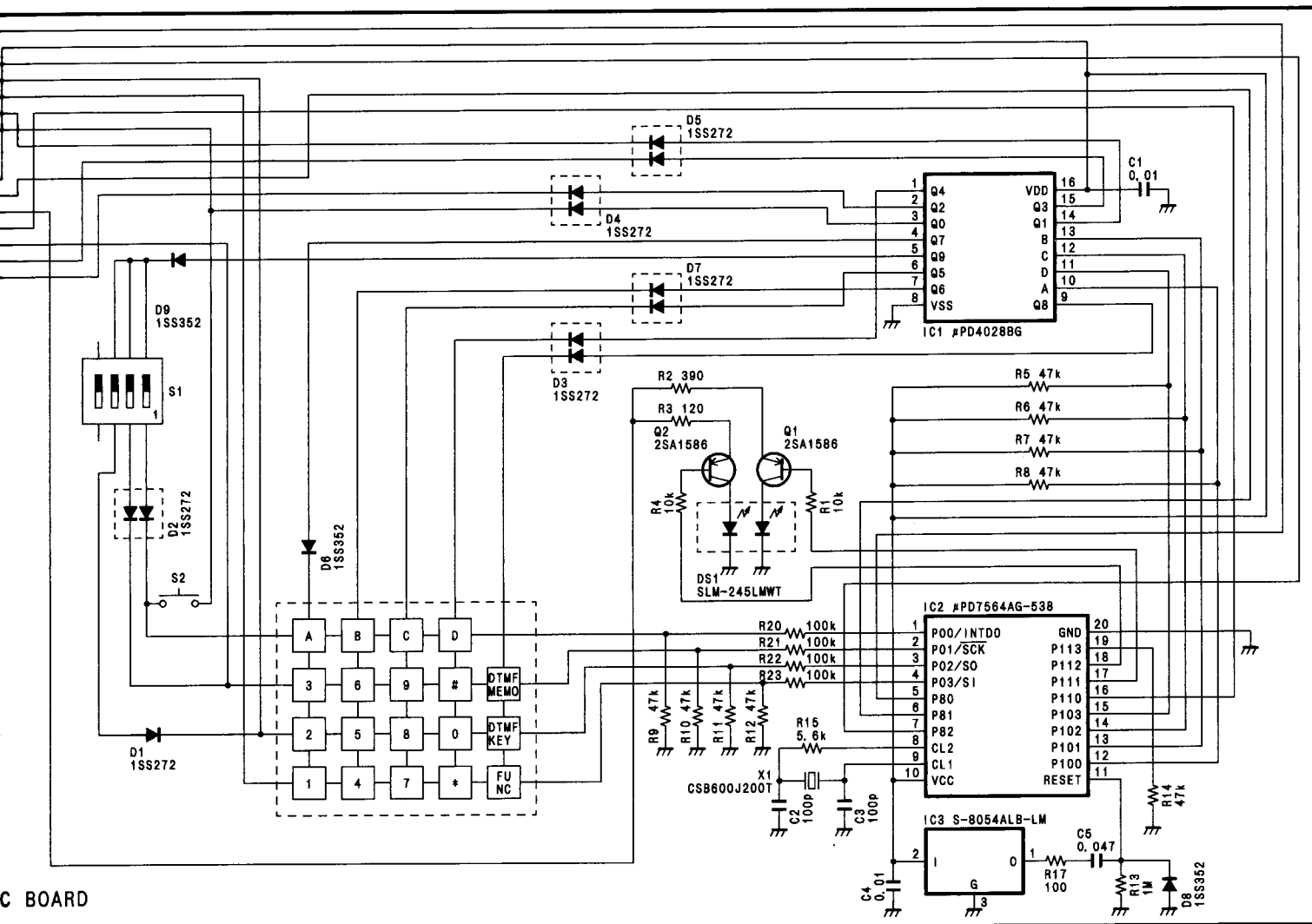
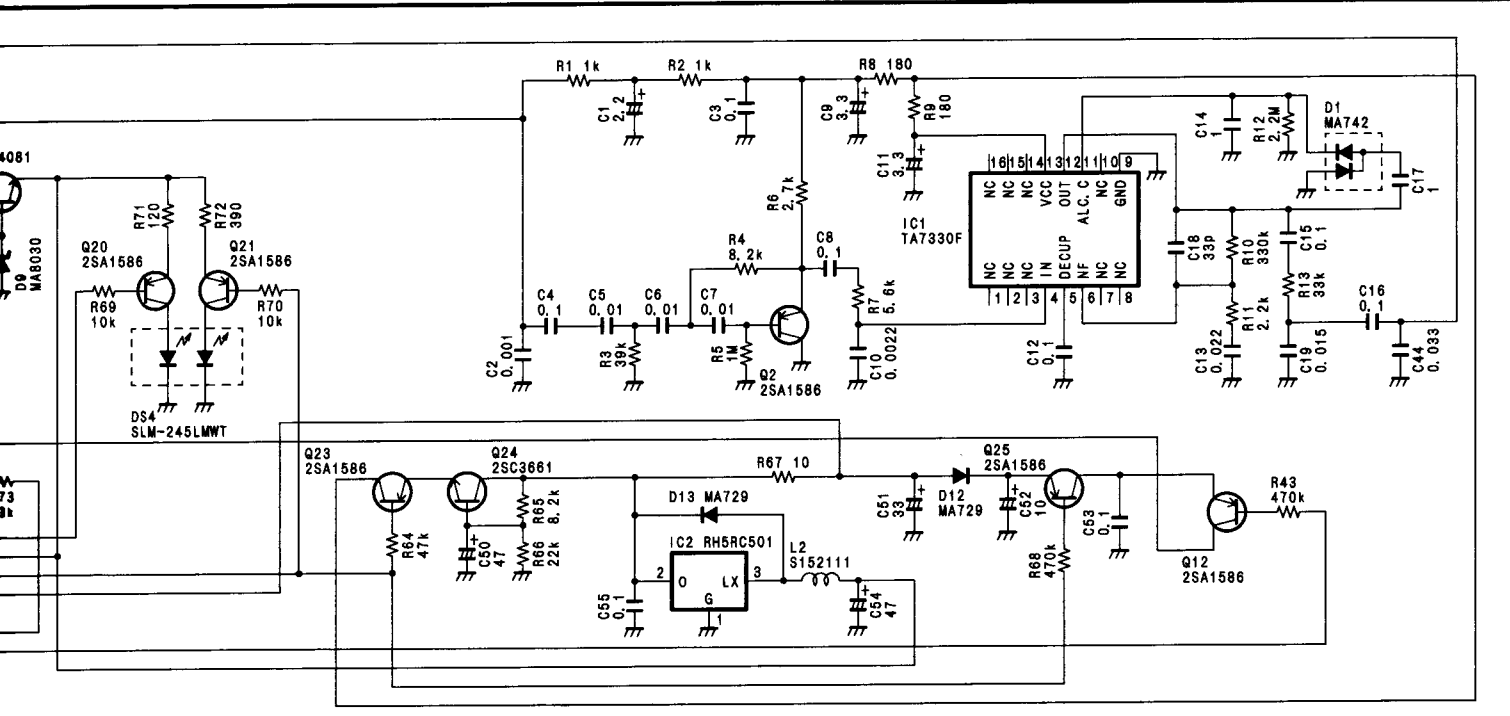


to M/C UNIT J1

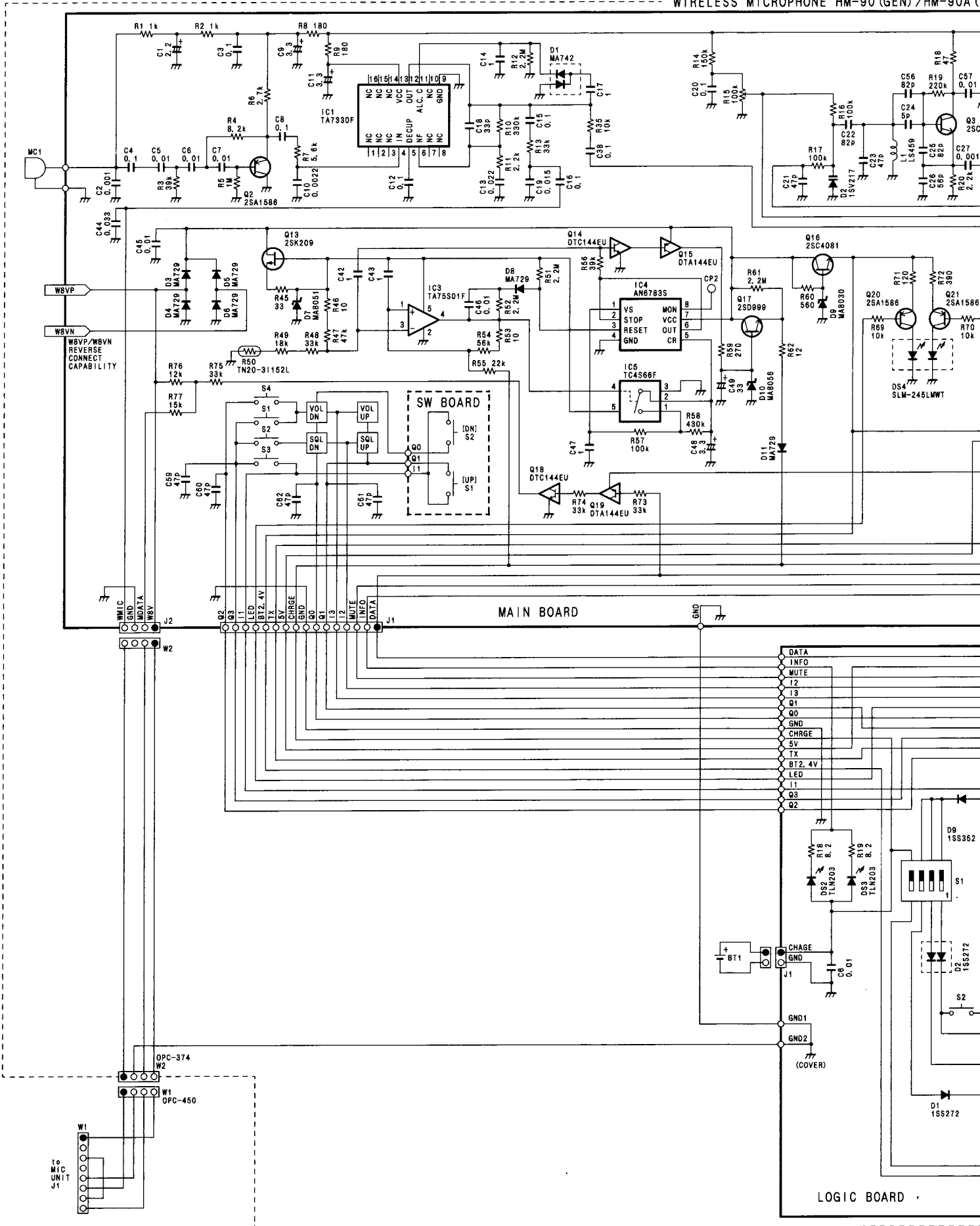
OPC-374 W2
W1 OPC-450

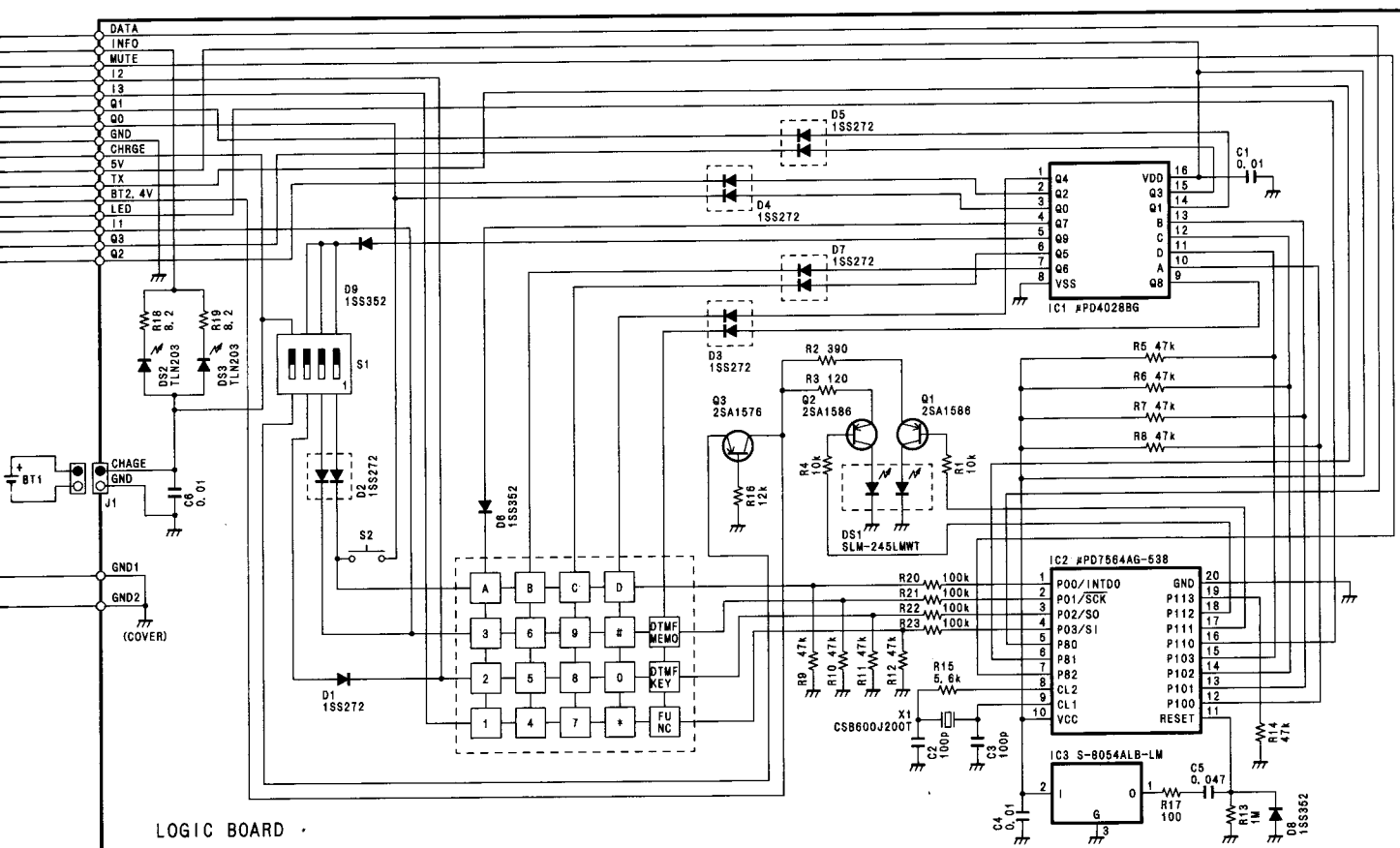
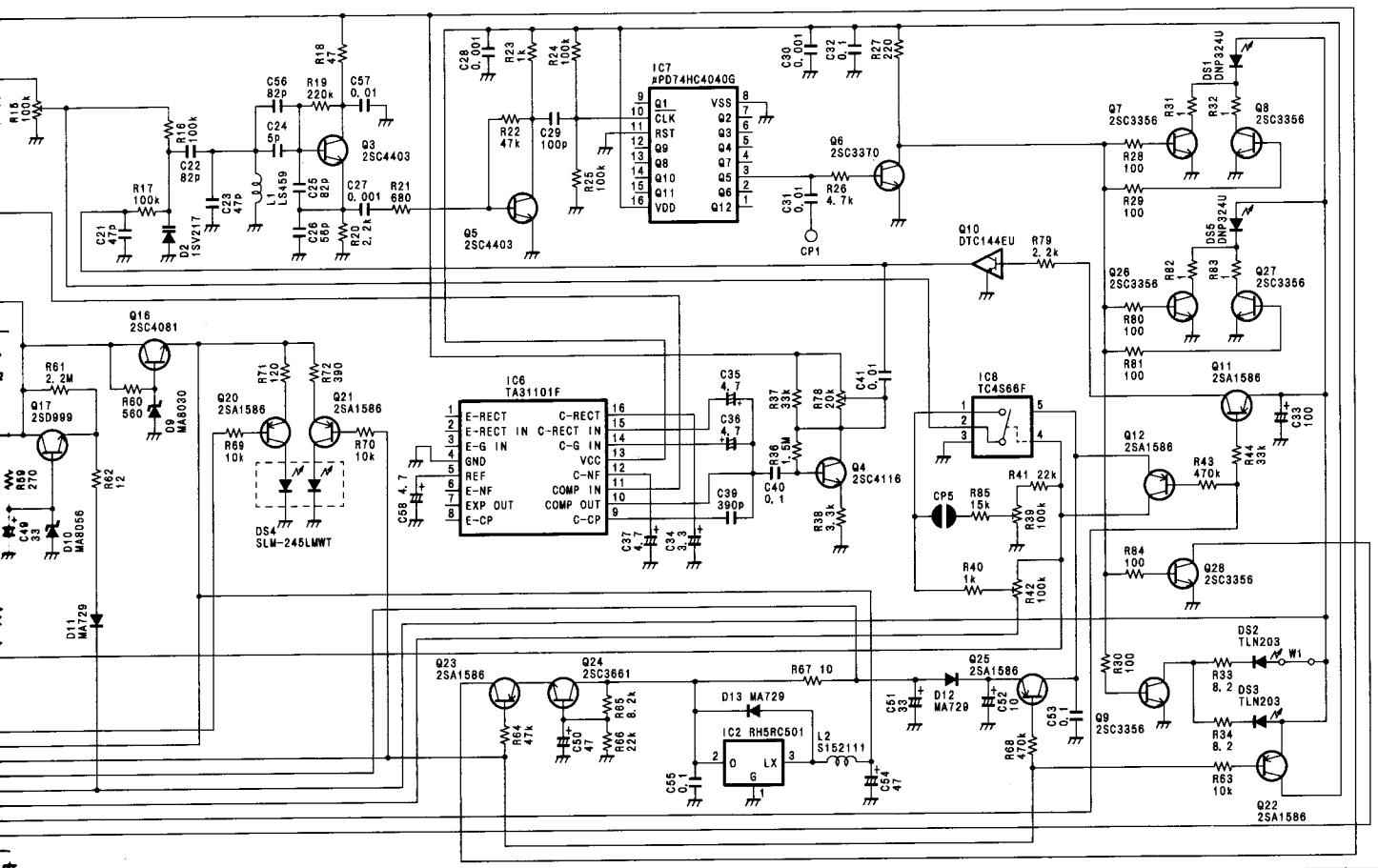
LOGIC BOARD

REMOTE CONTROL MICROPHONE HM-92



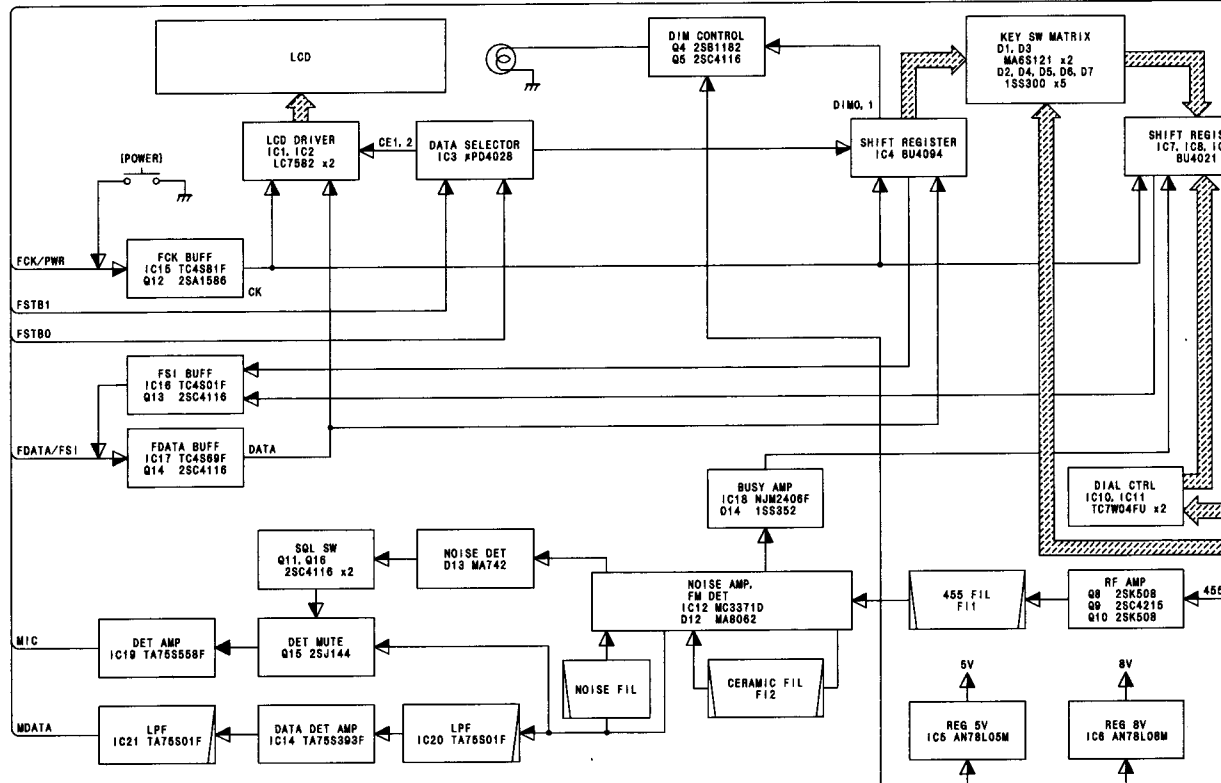
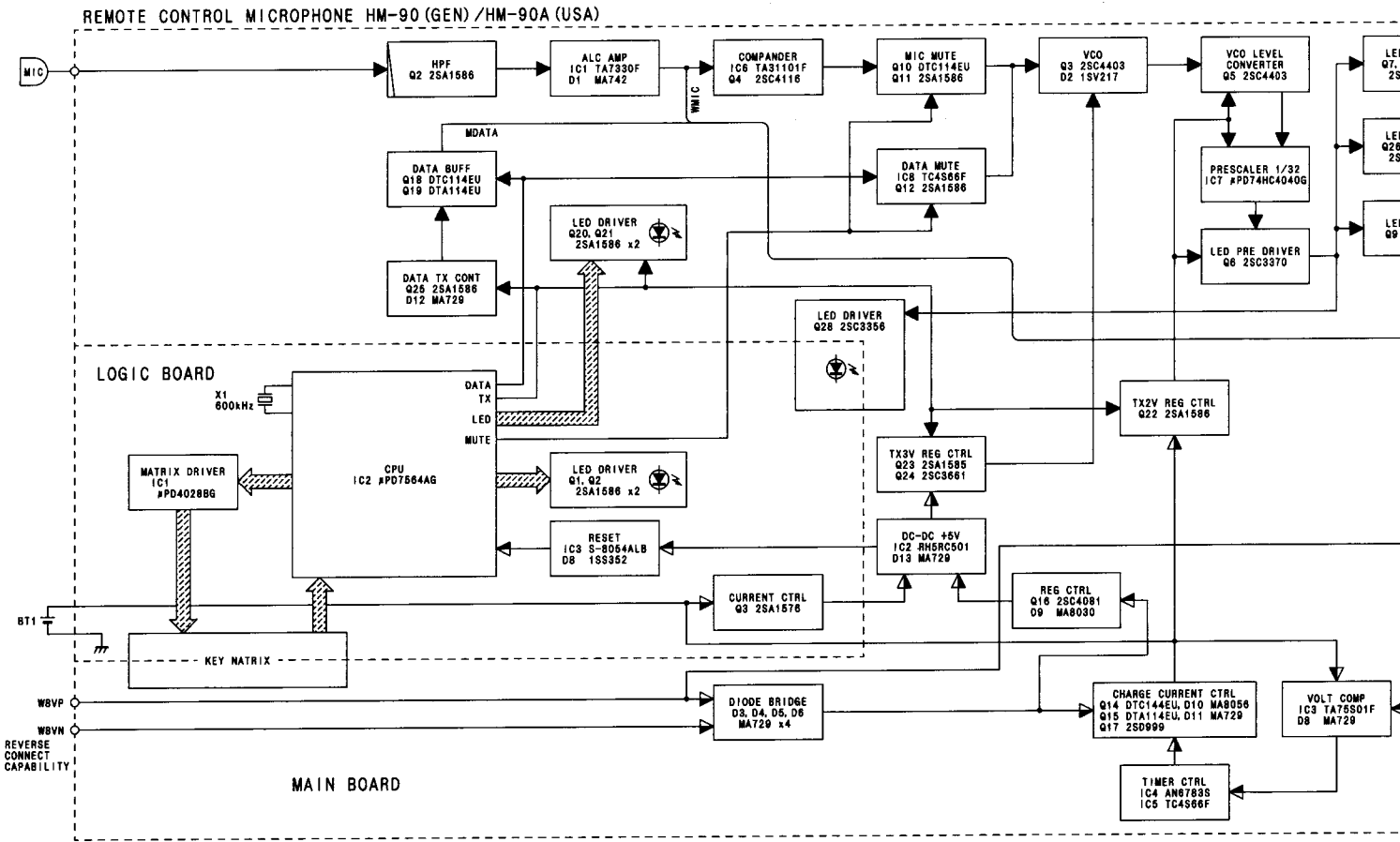
C BOARD

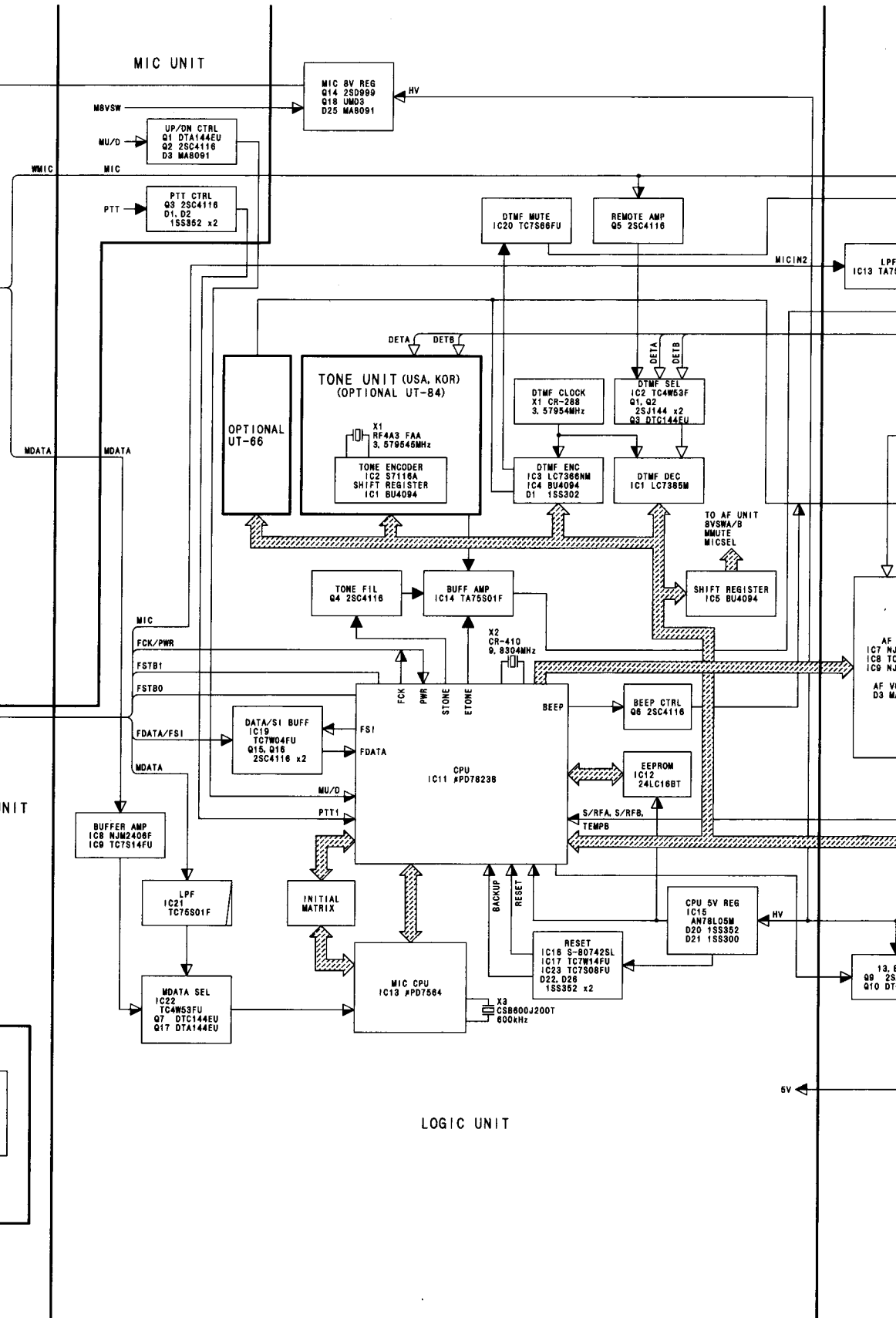
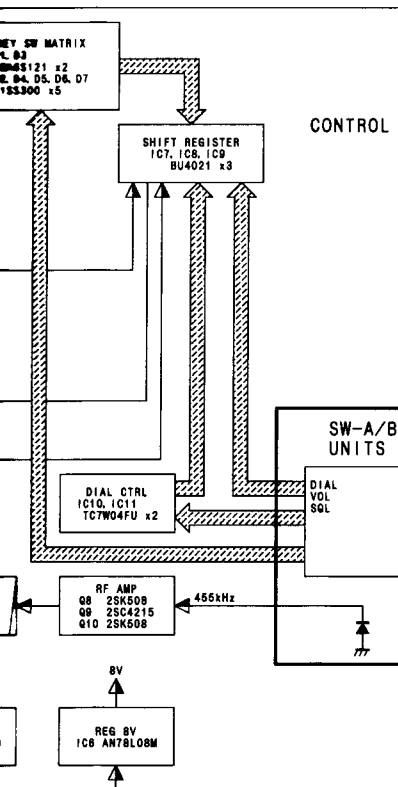
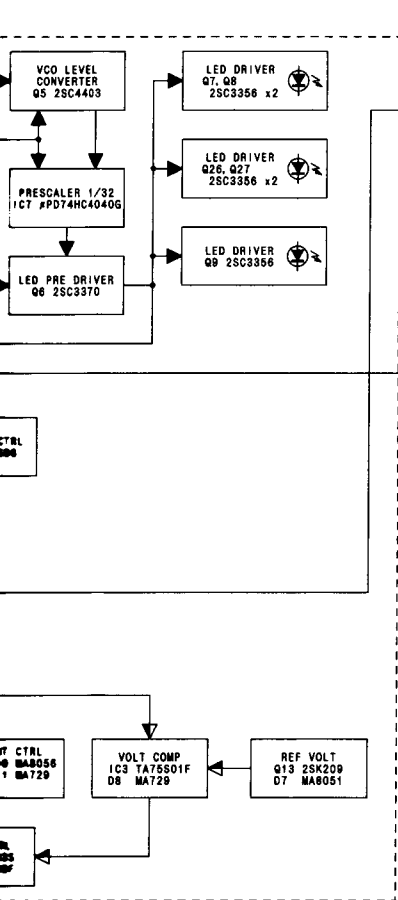




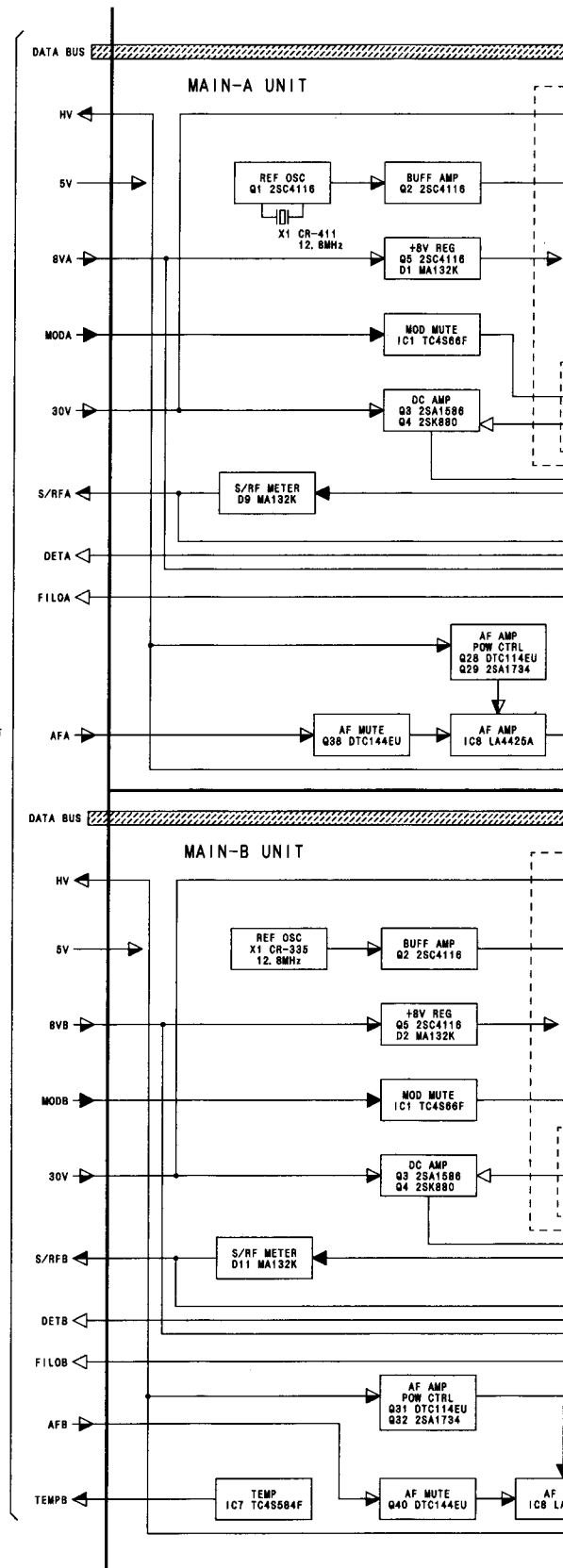
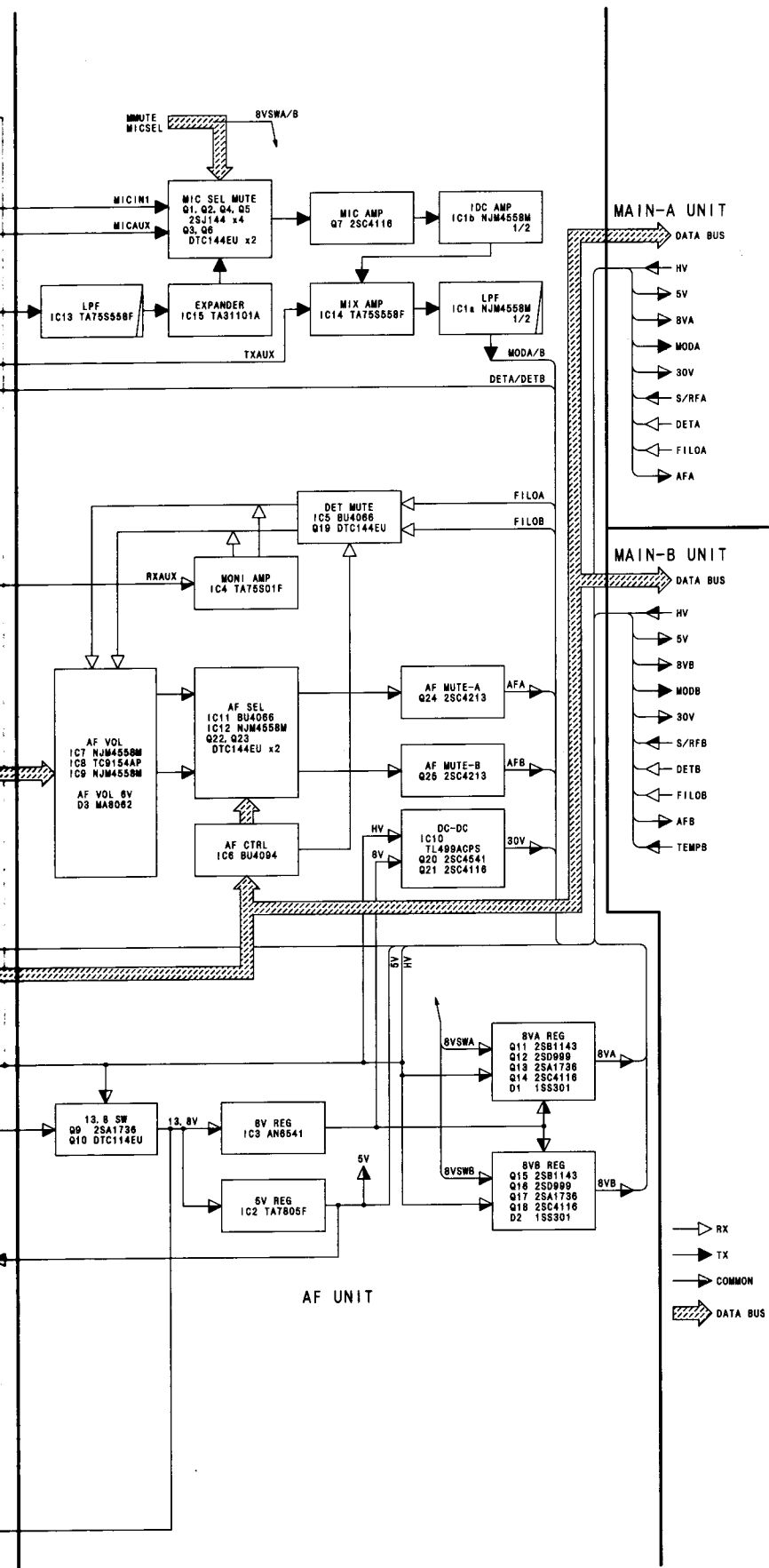
LOGIC BOARD

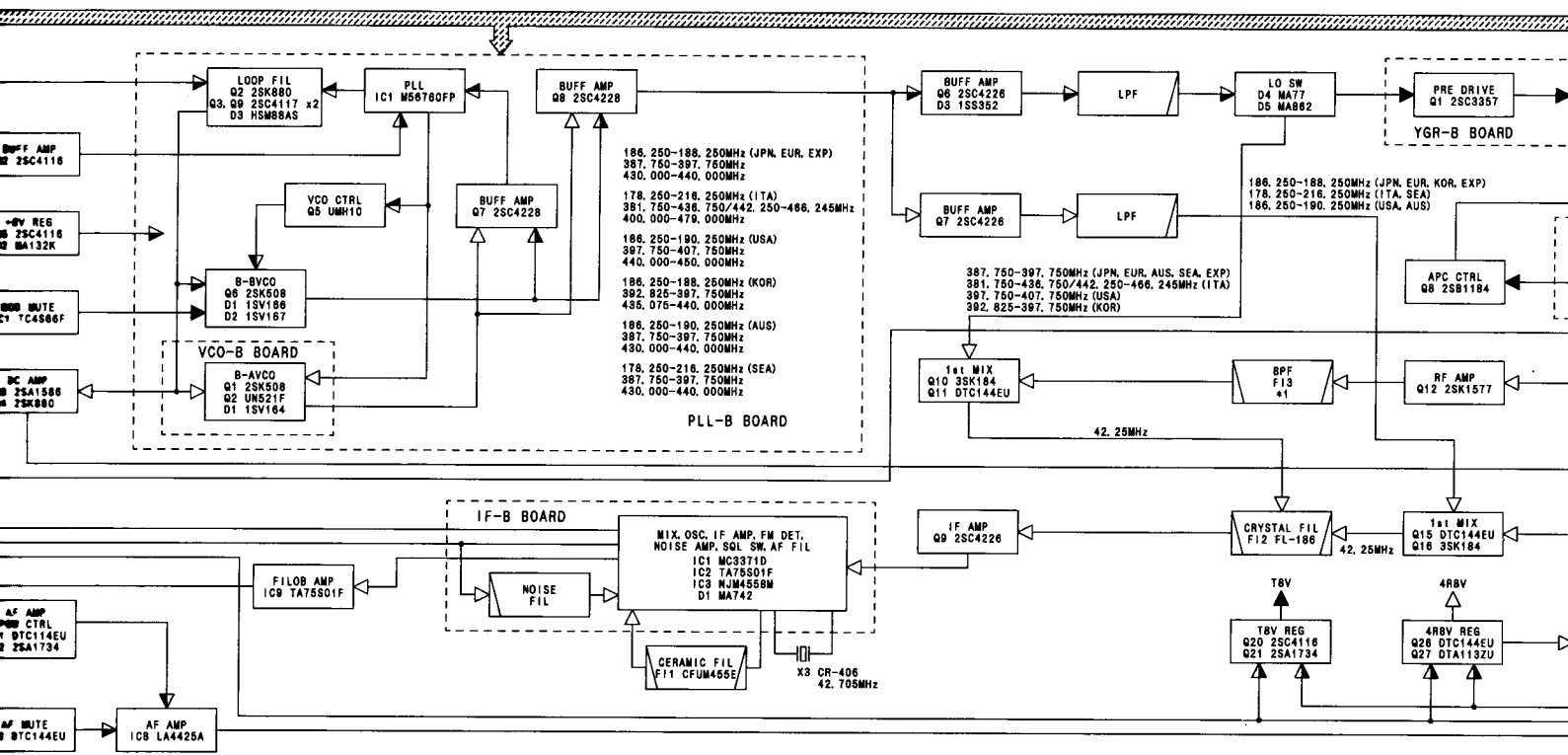
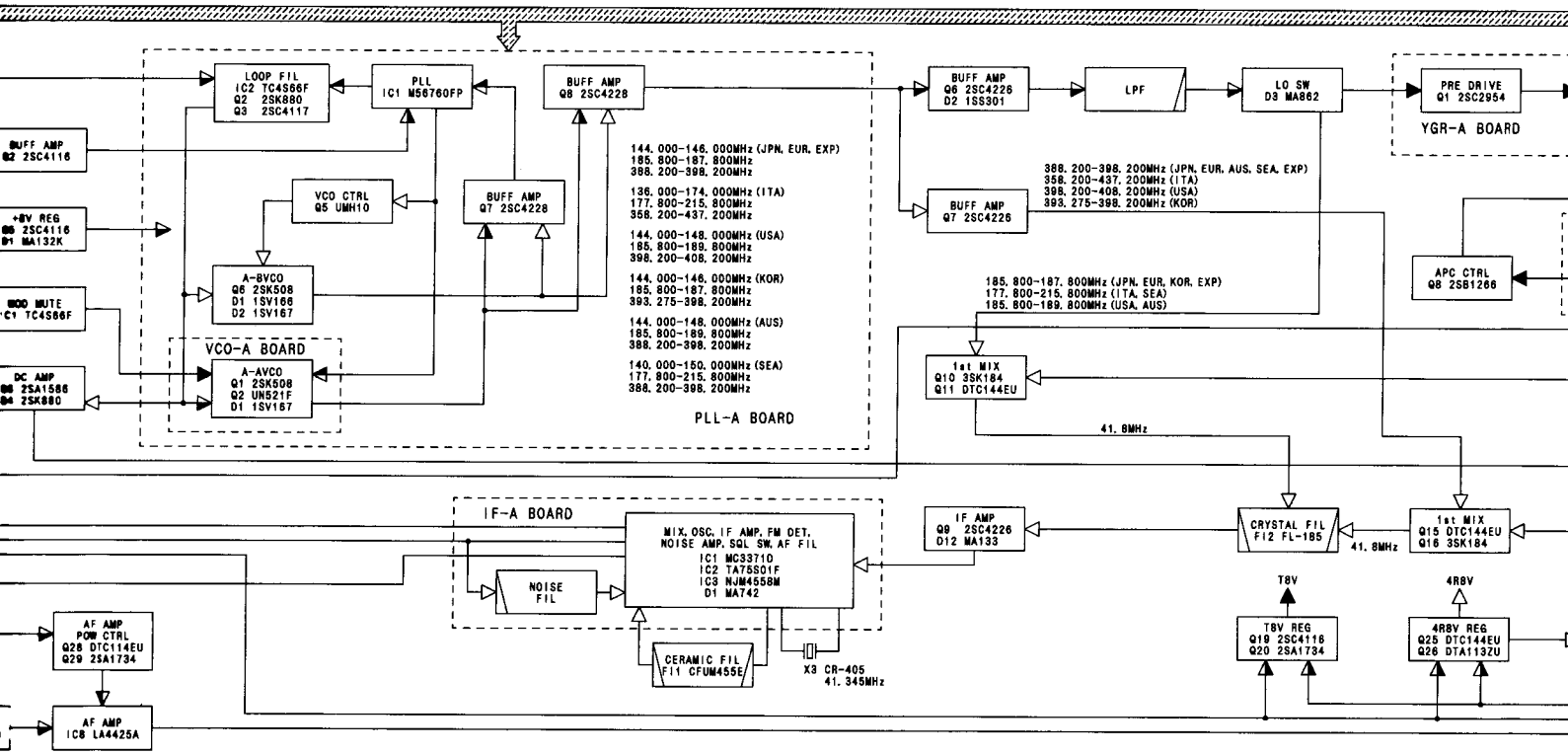
SECTION 10 BLOCK DIAGRAM

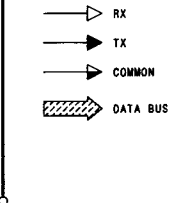
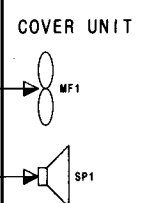
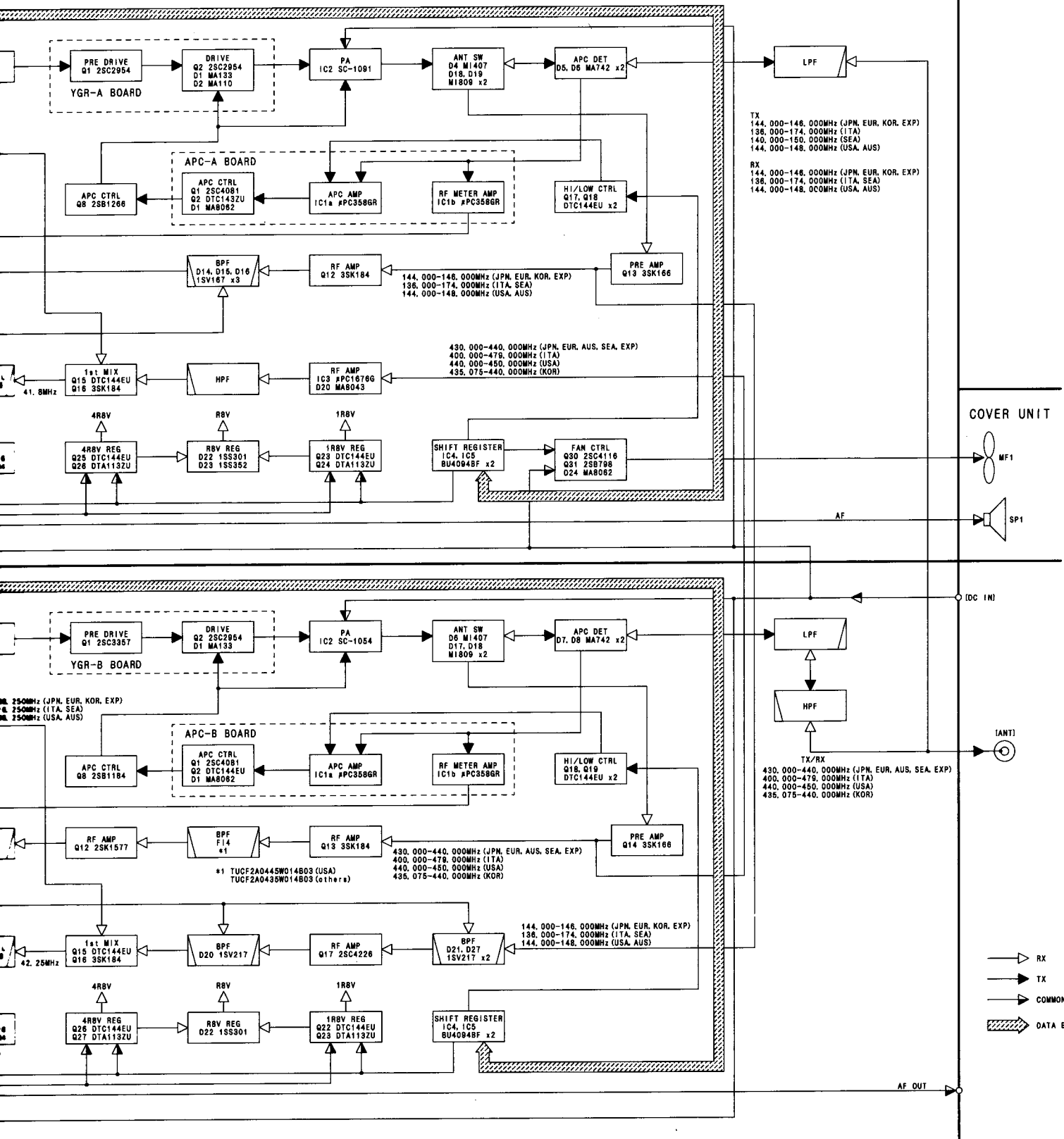




5V

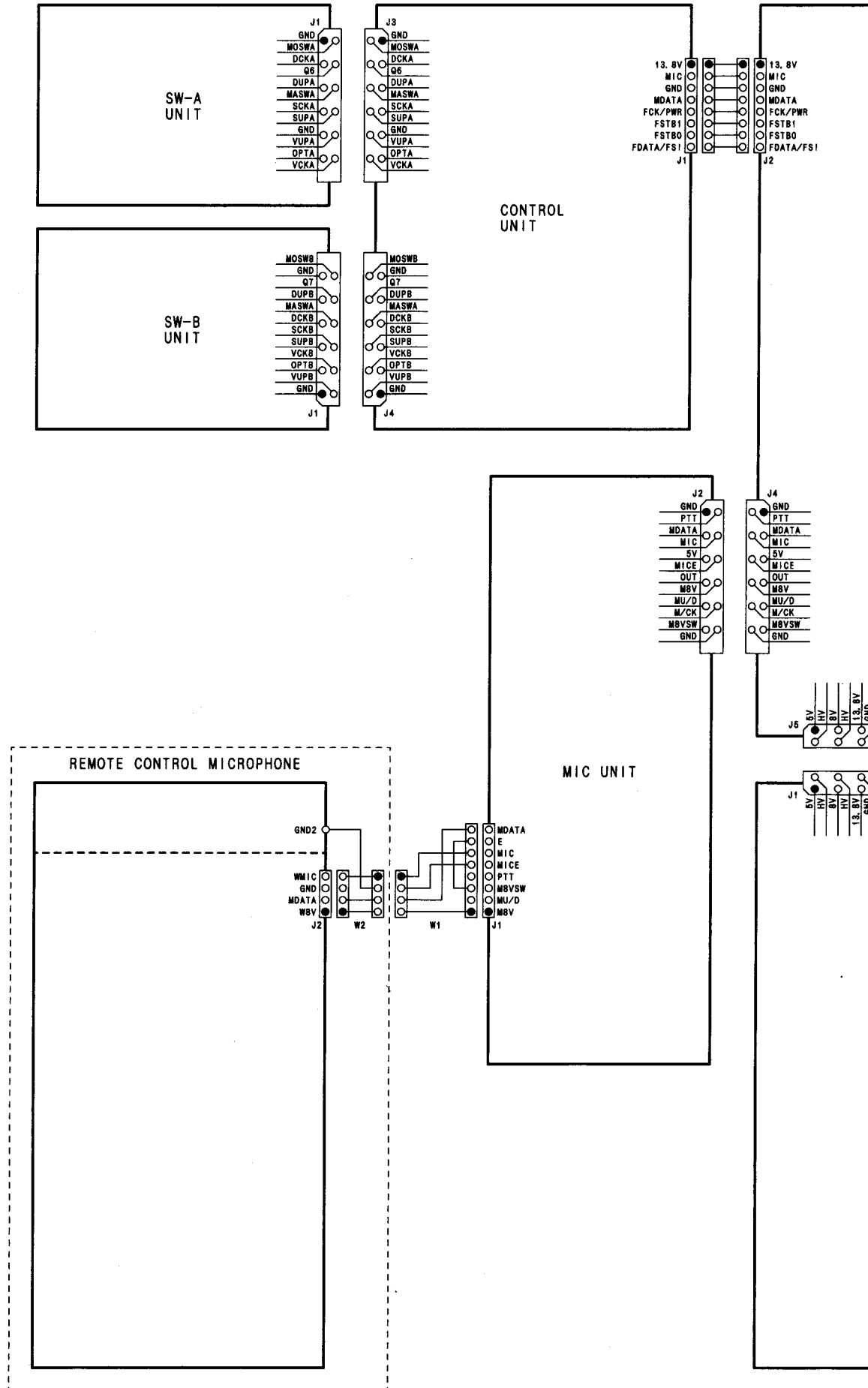


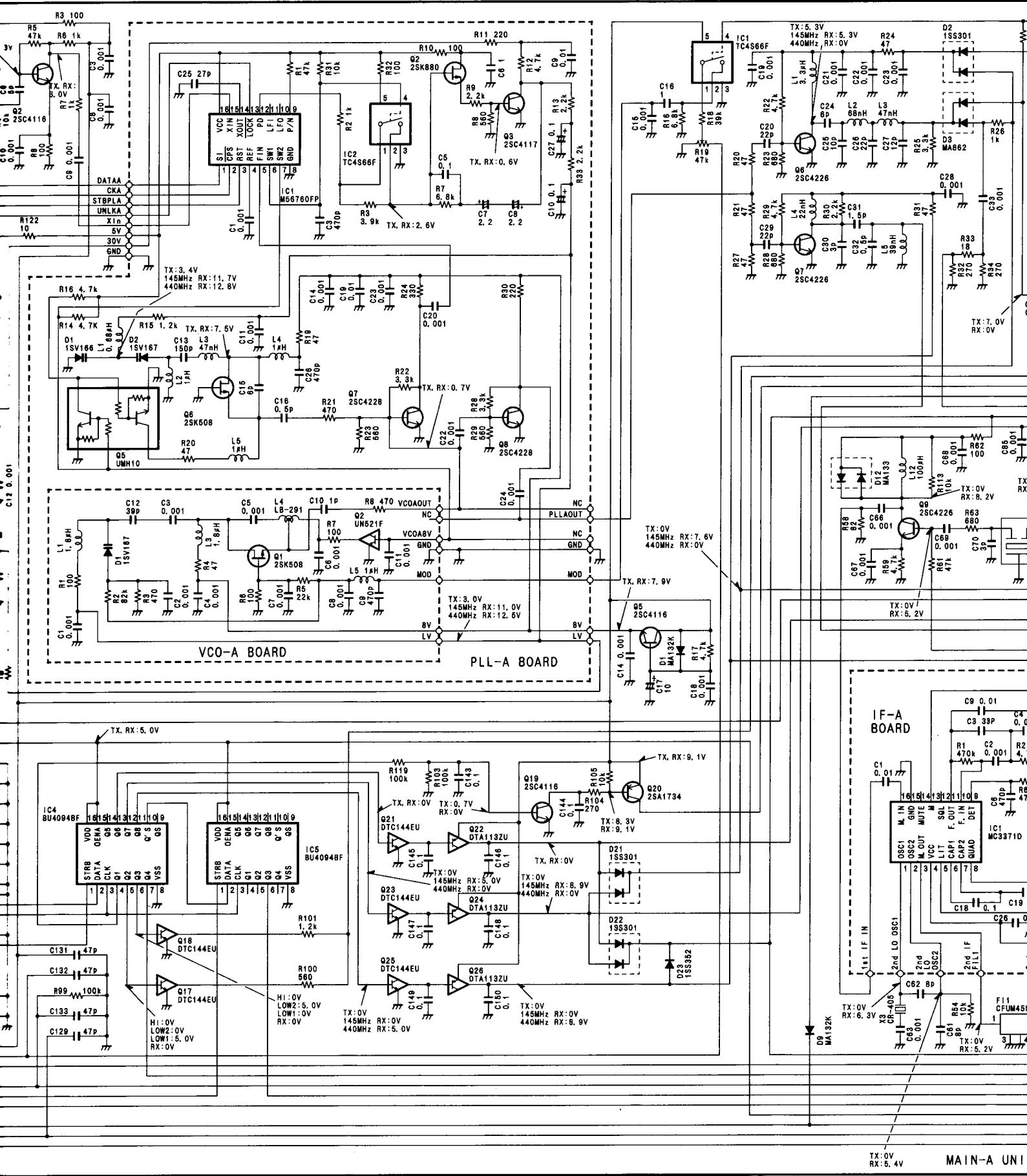


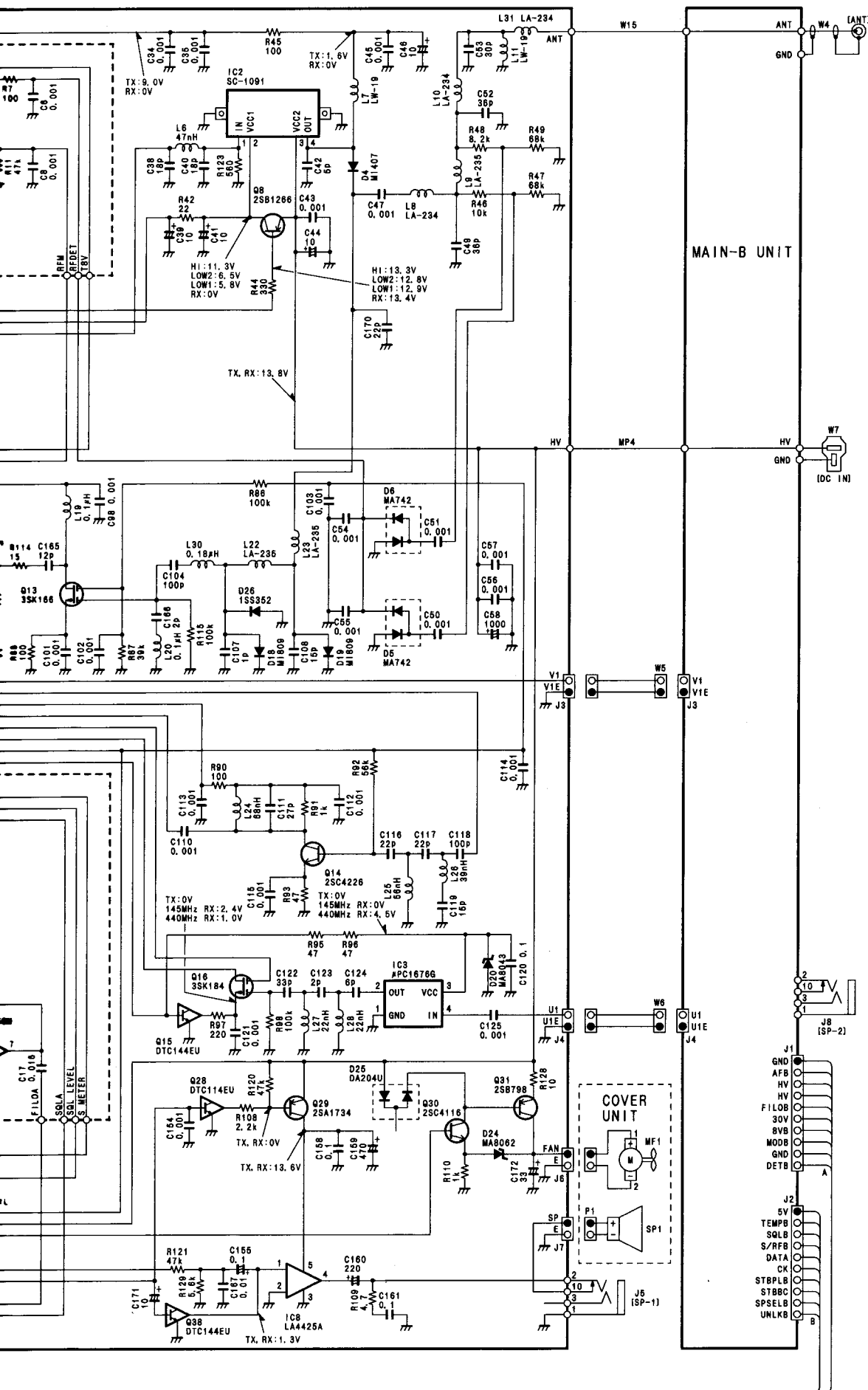


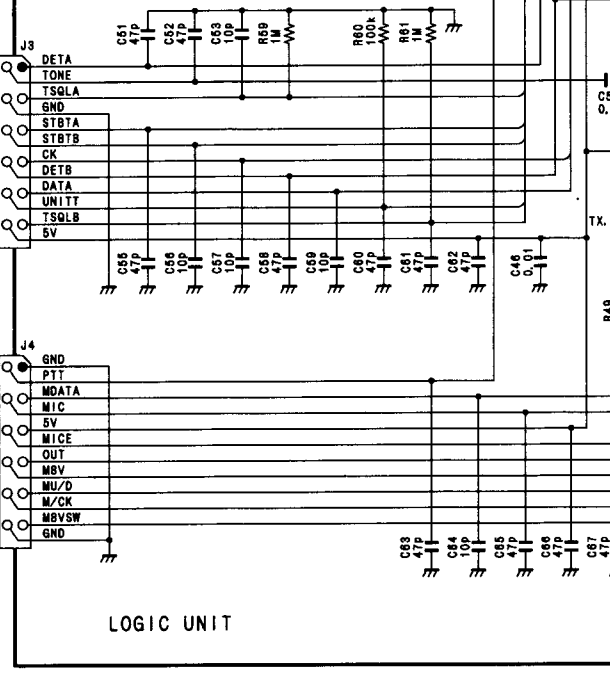
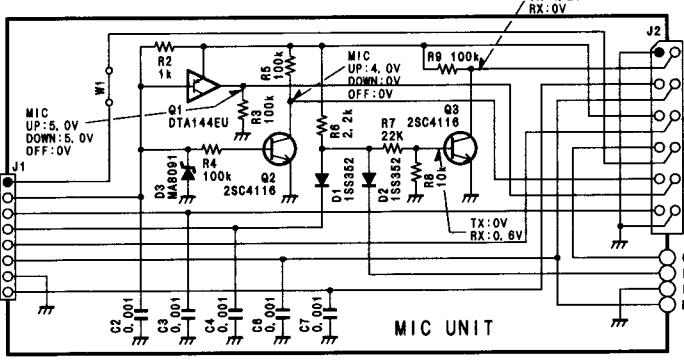
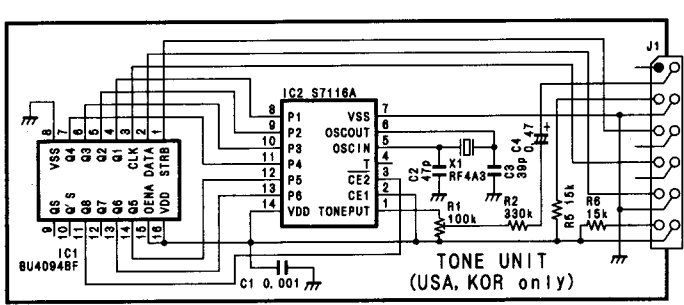
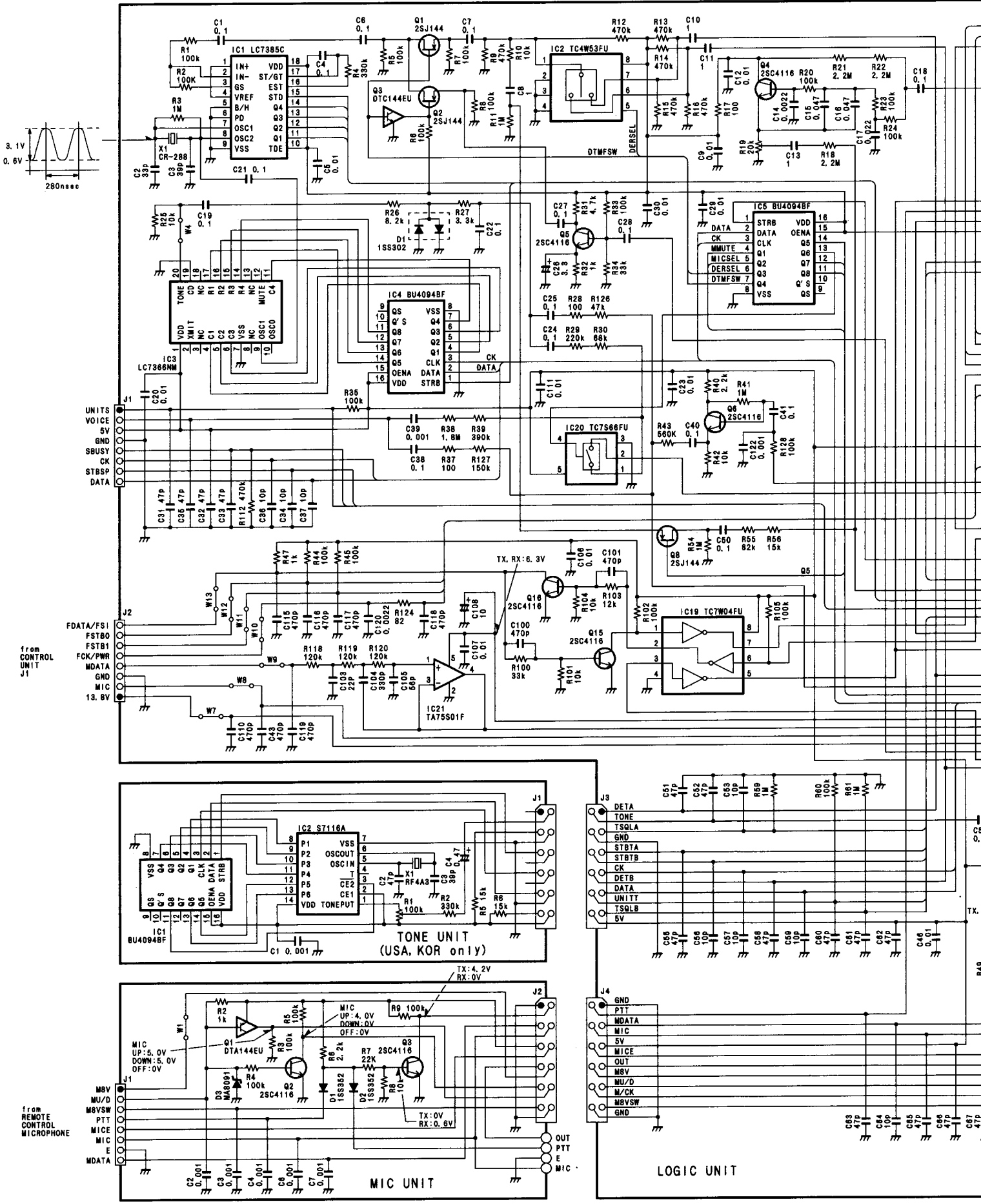
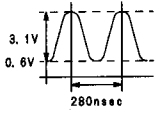
SECTION 11

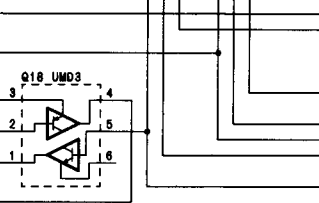
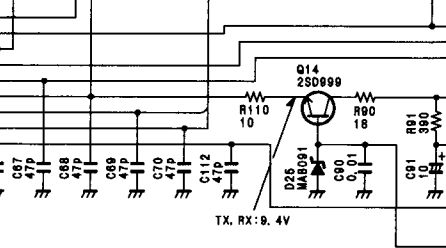
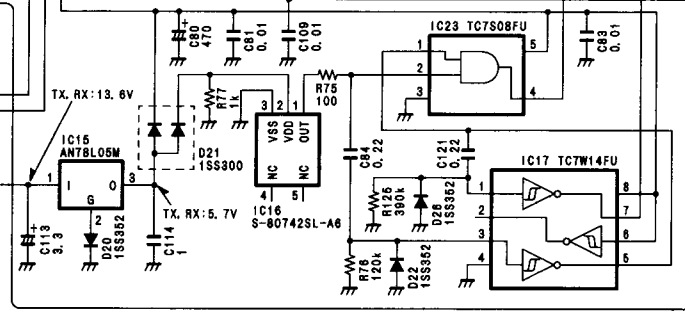
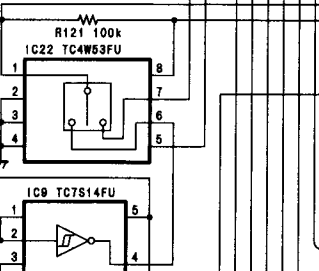
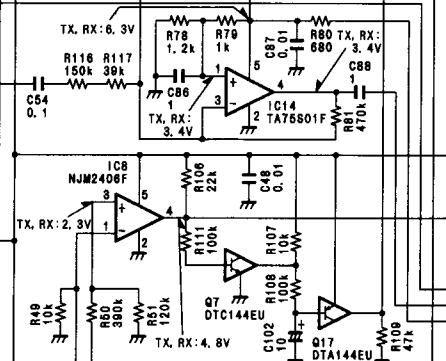
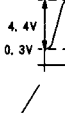
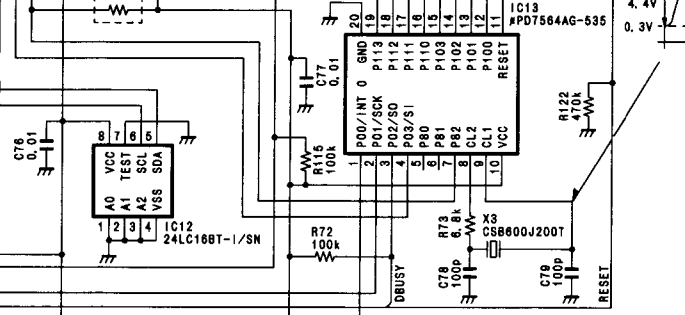
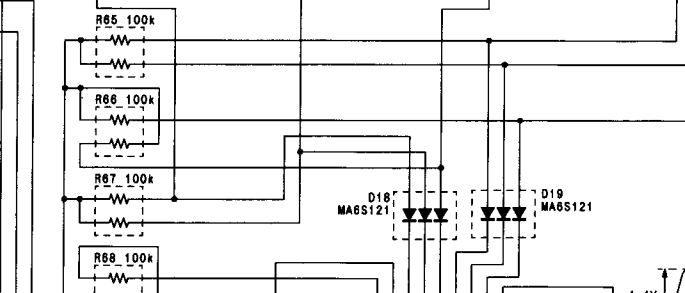
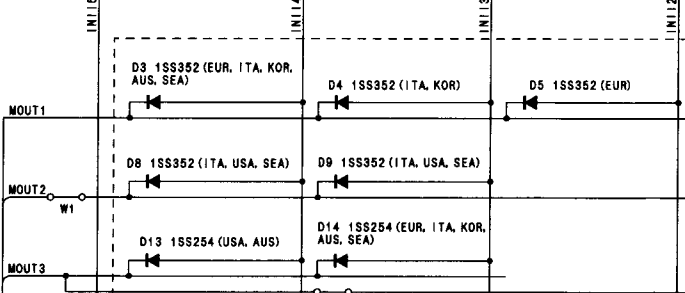
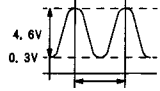
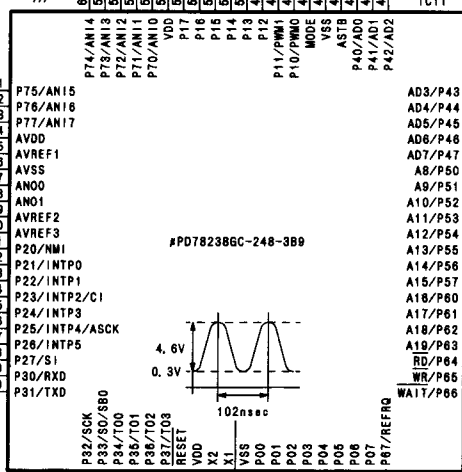
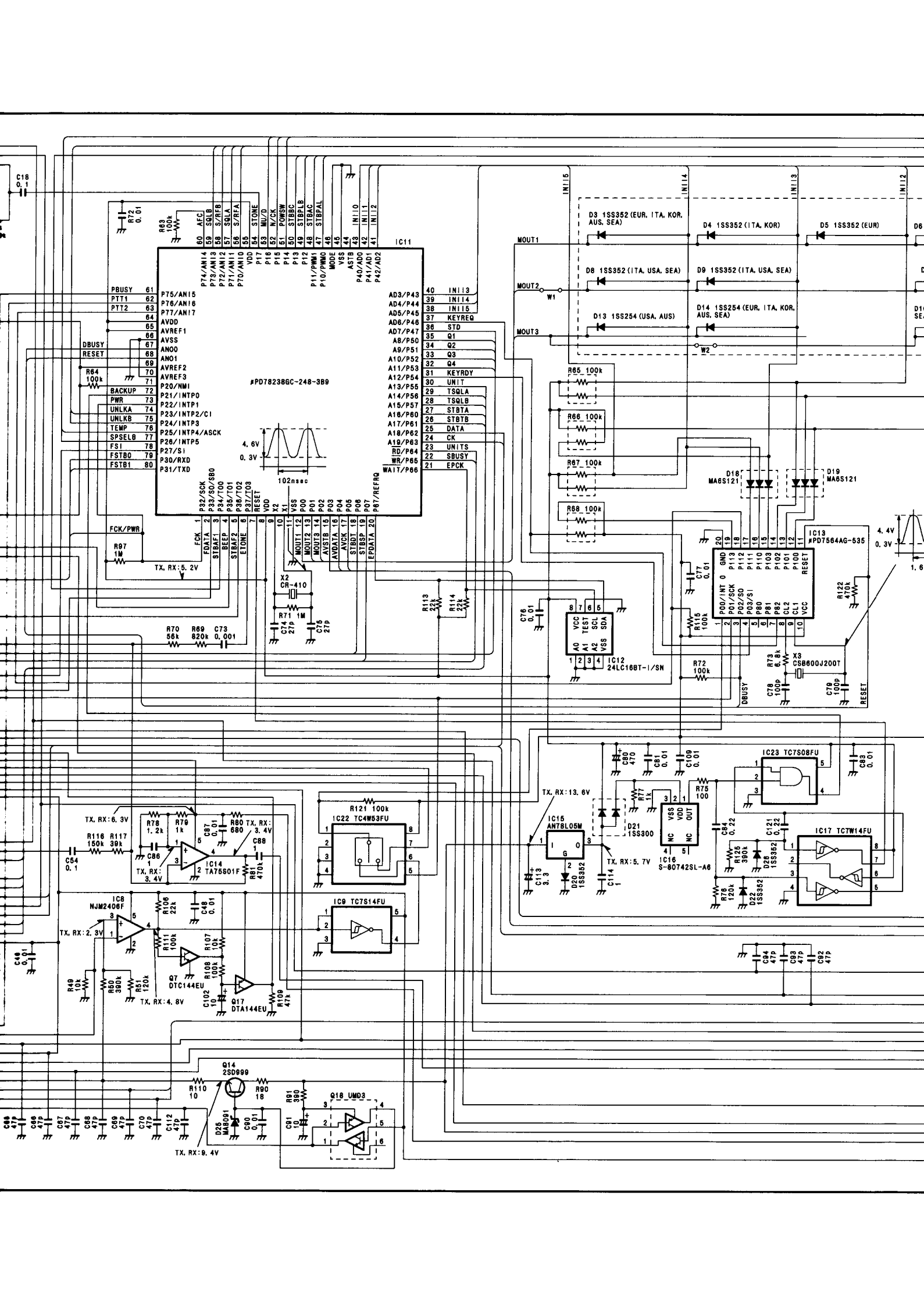
VOLTAGE DIAGRAM

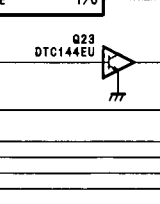
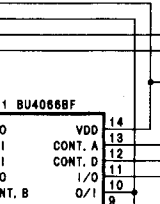
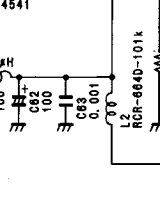
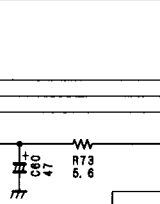
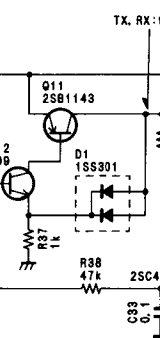
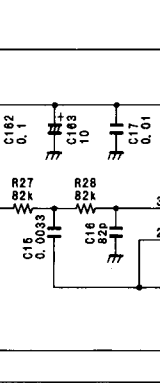
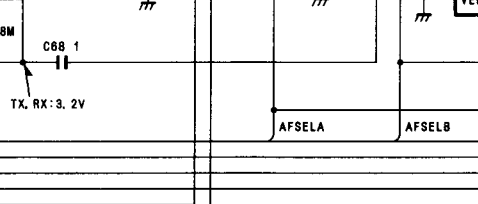
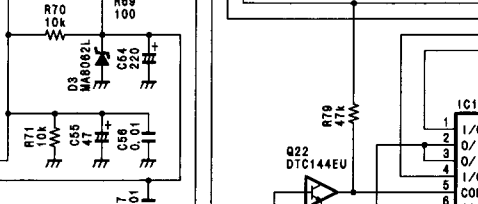
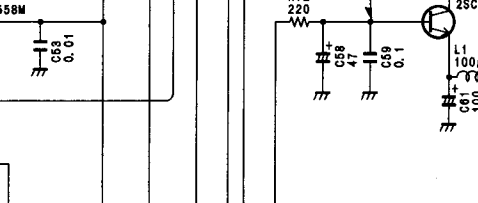
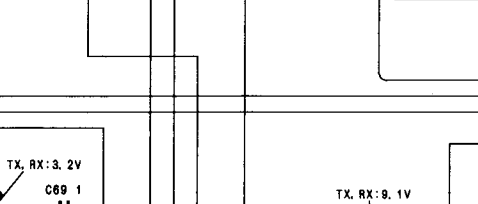
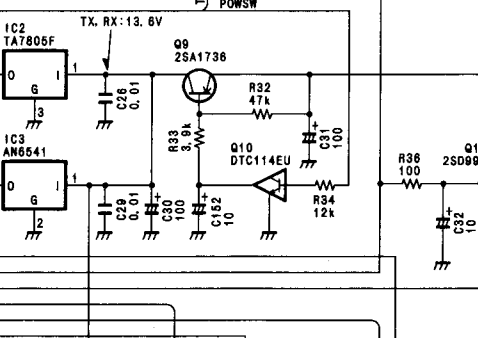
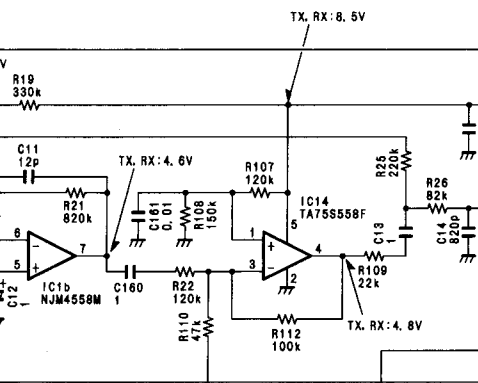
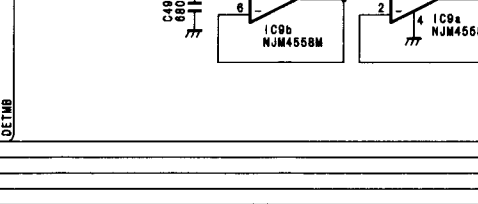
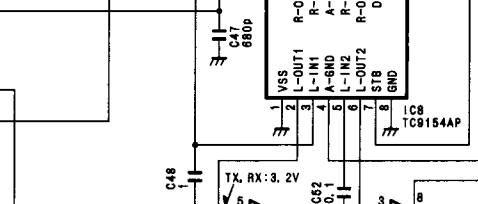
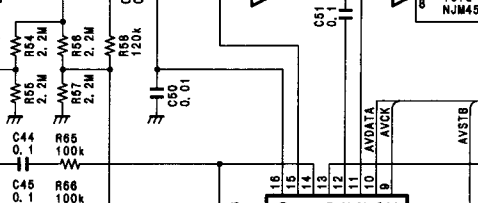
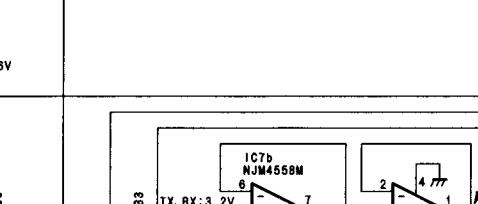
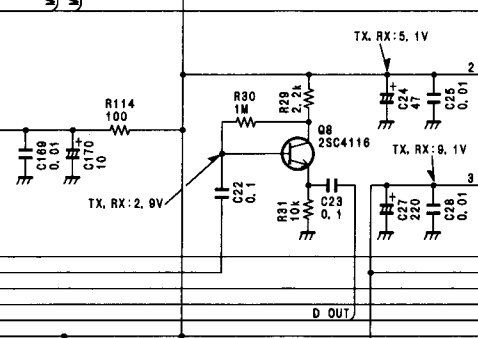
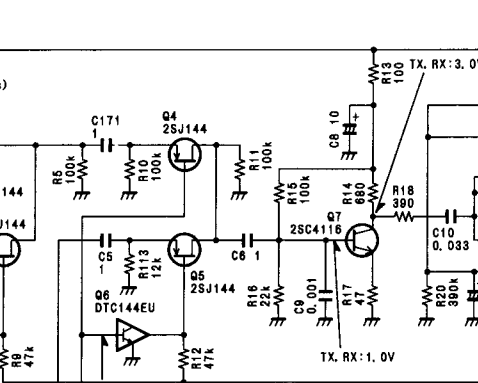
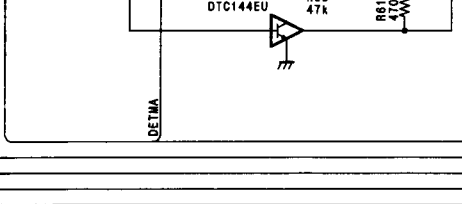
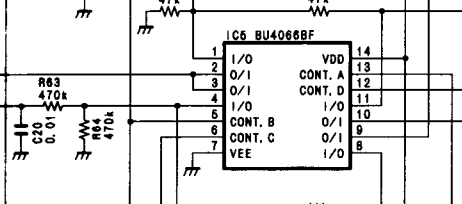
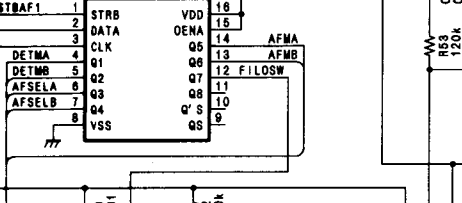
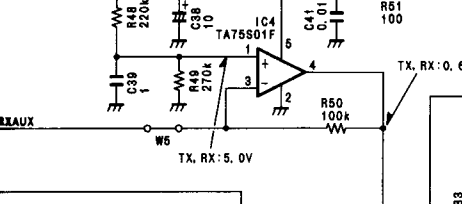
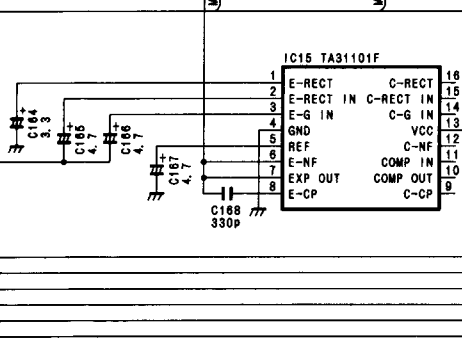
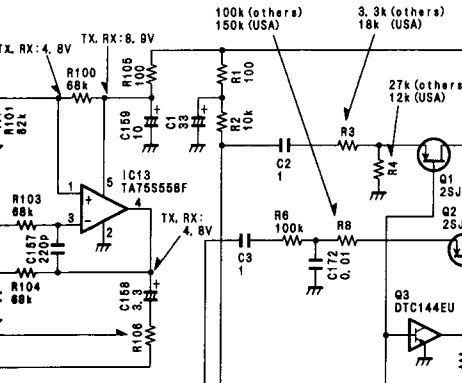
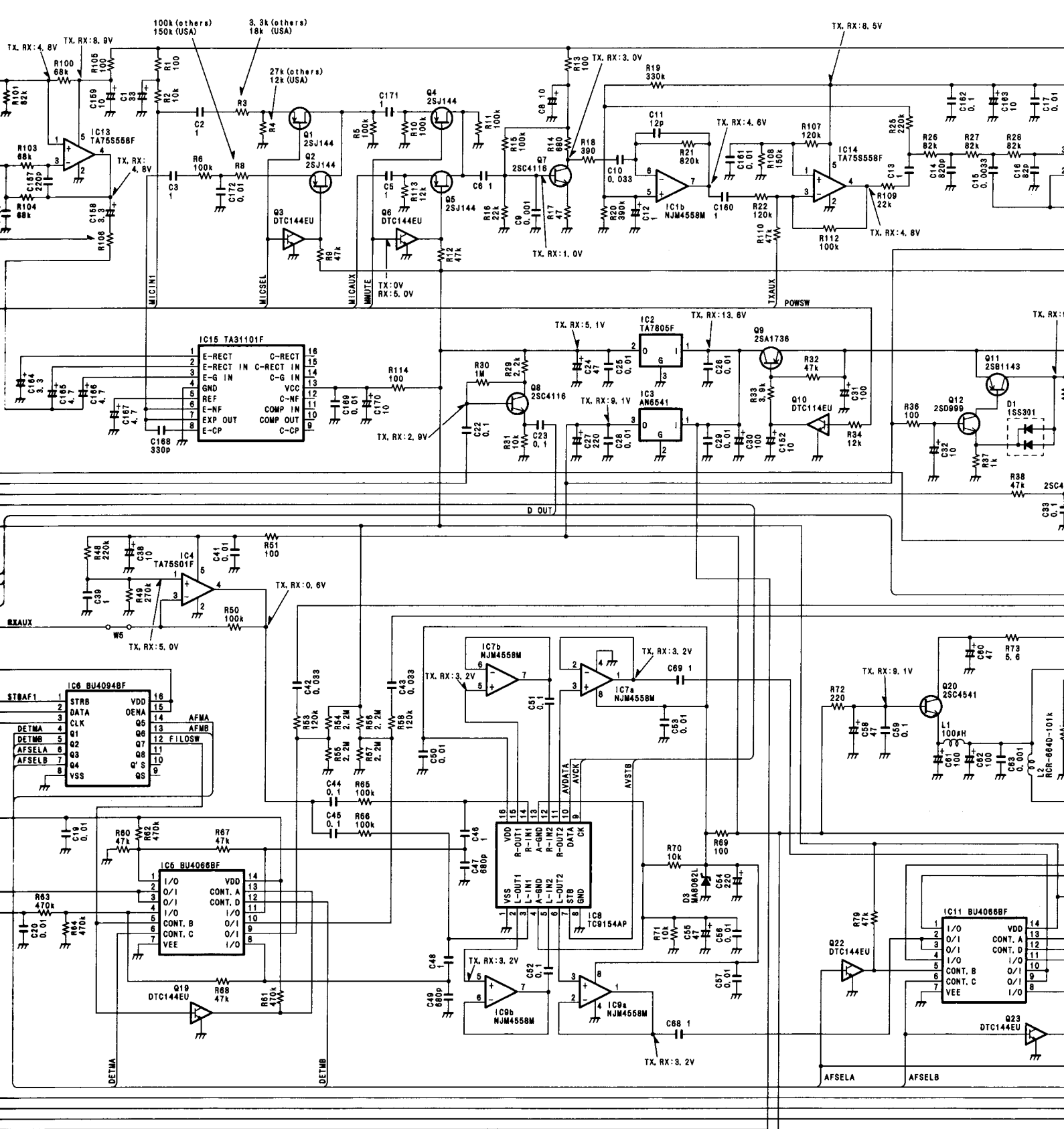


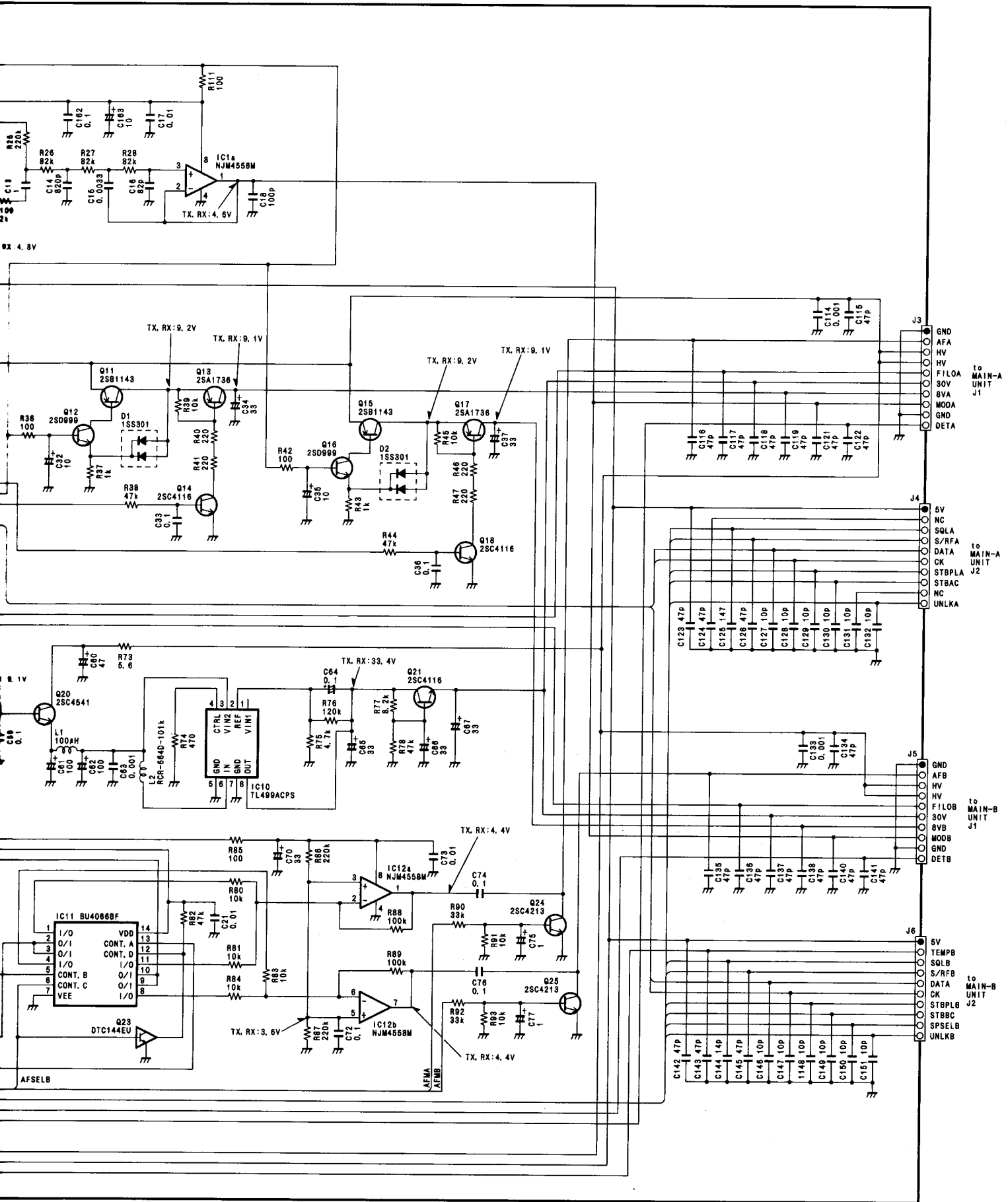










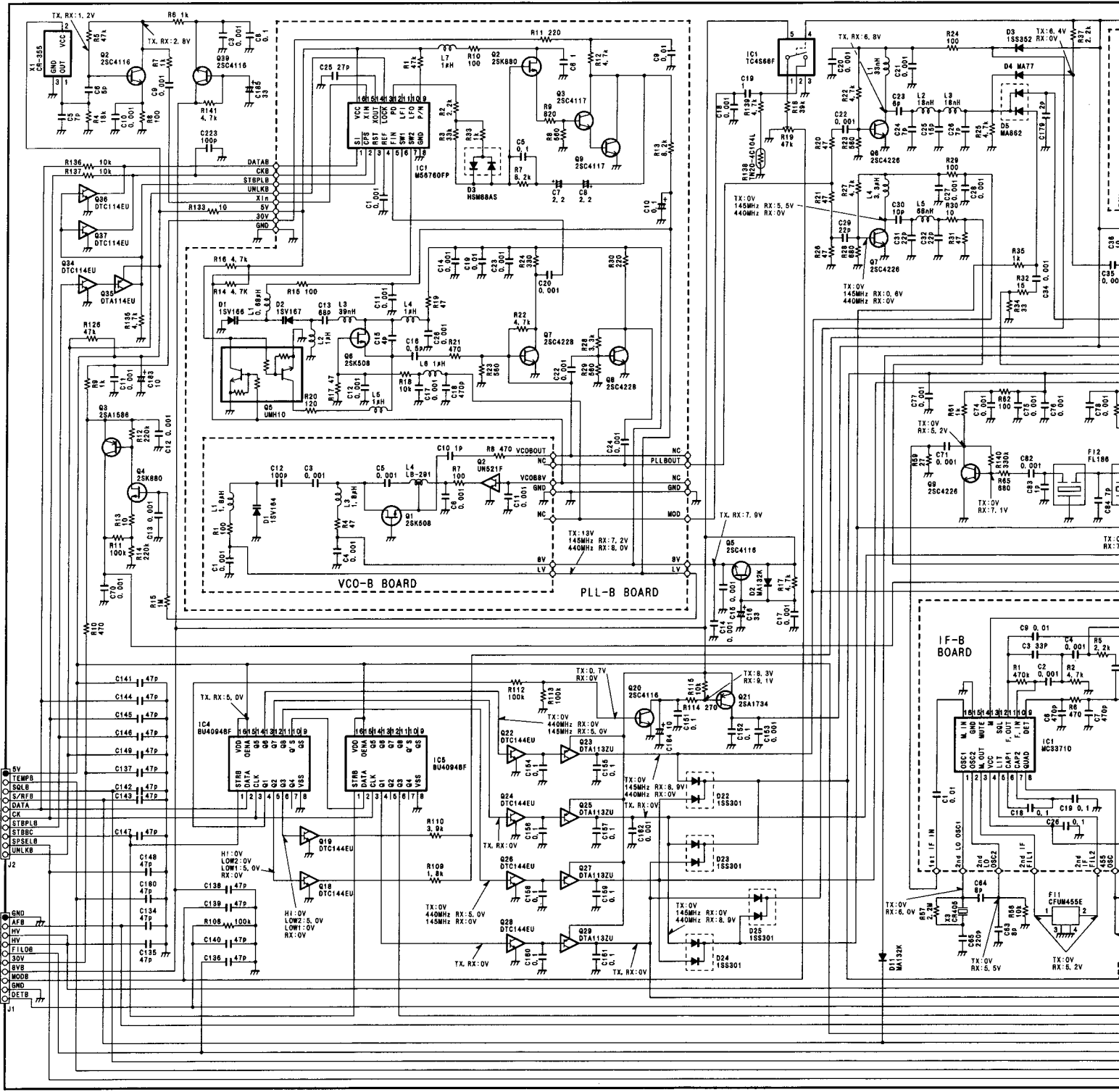


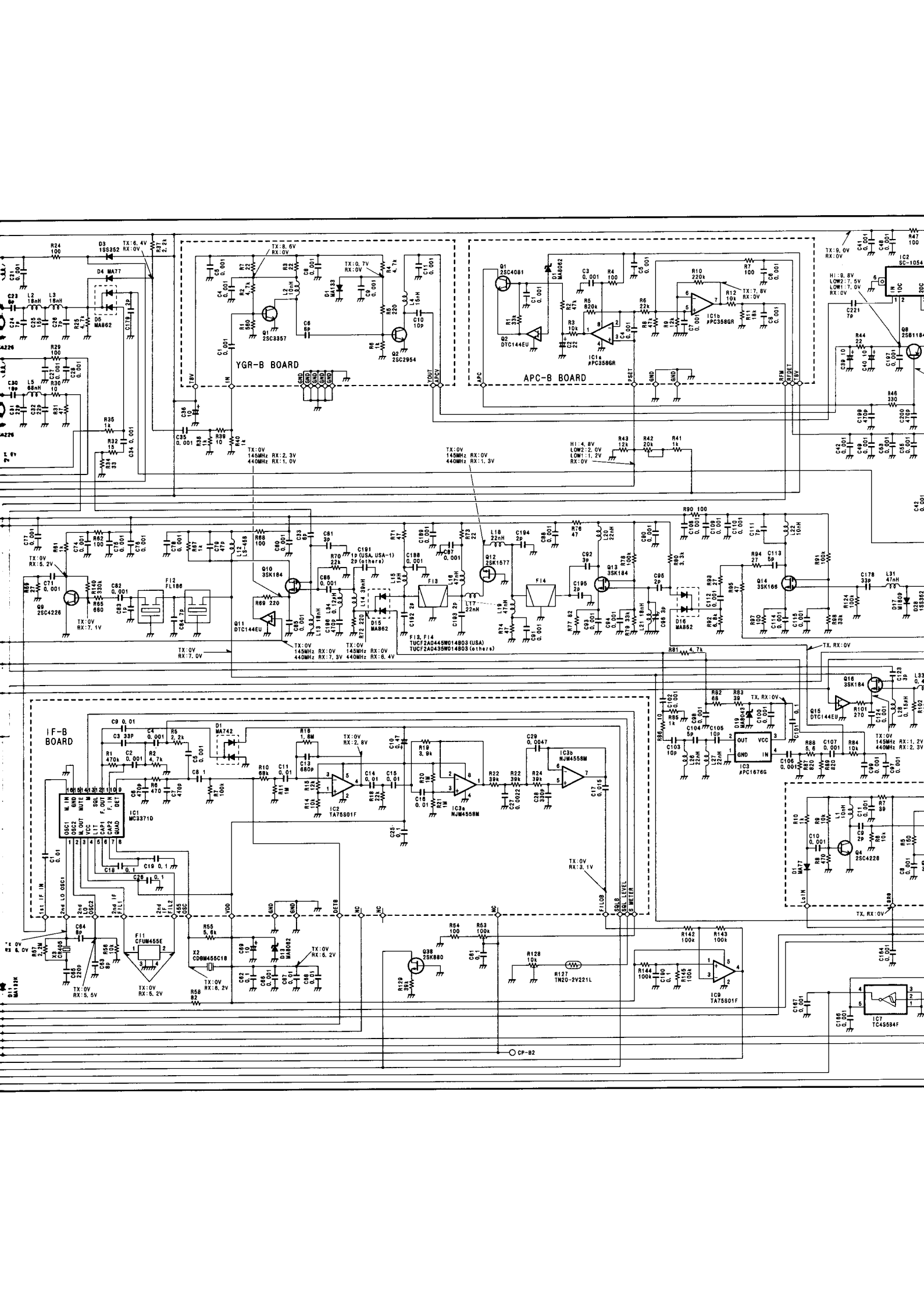
to MAIN-A
UNIT
J1

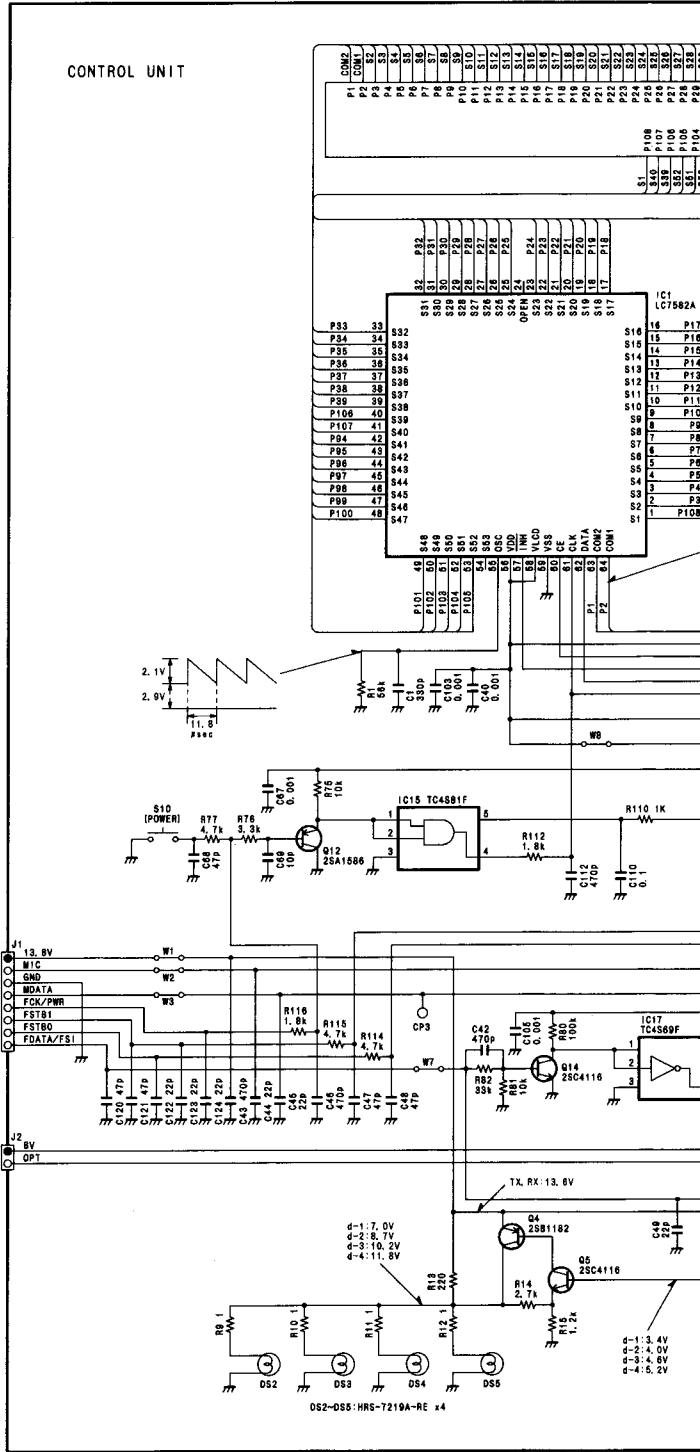
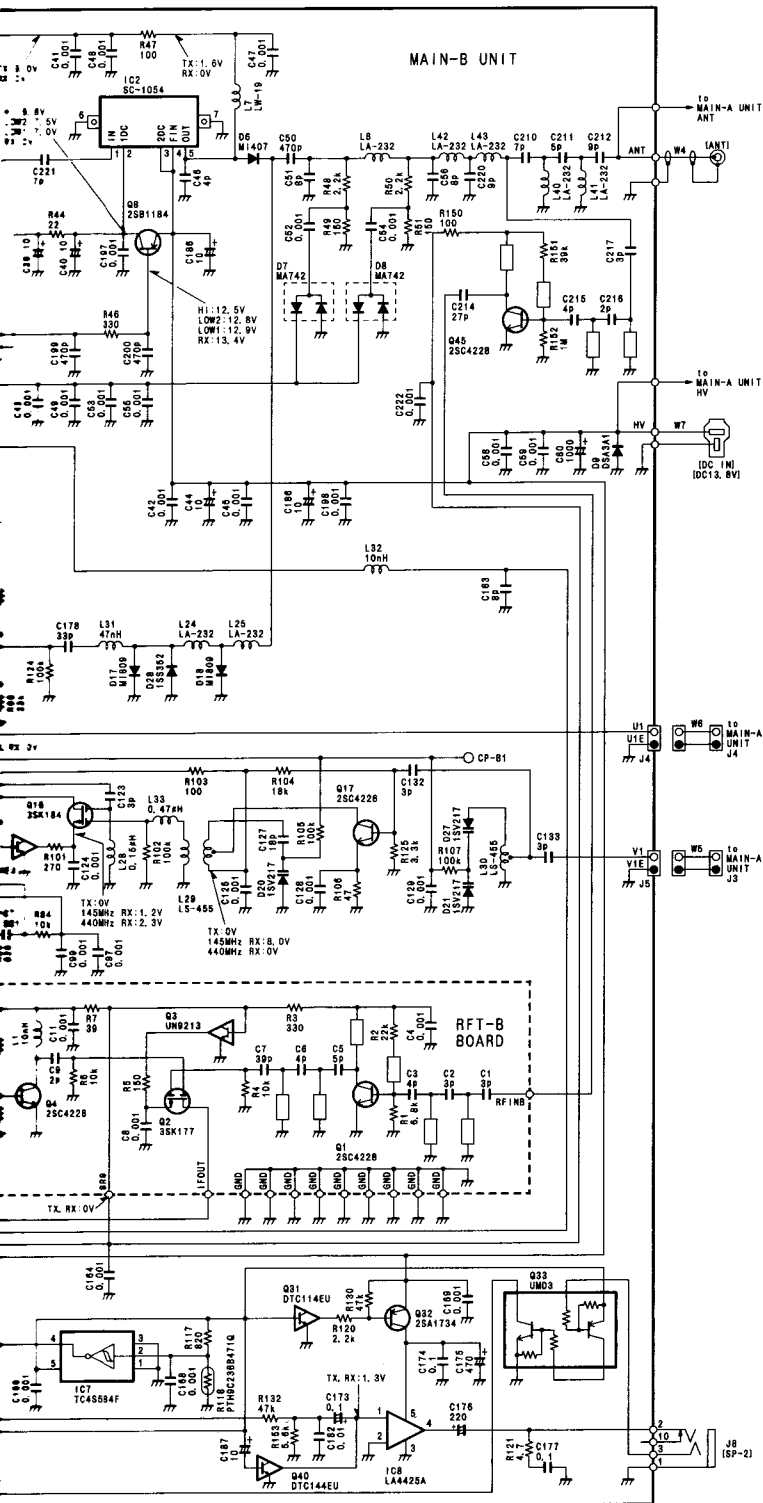
to MAIN-A
UNIT
J2

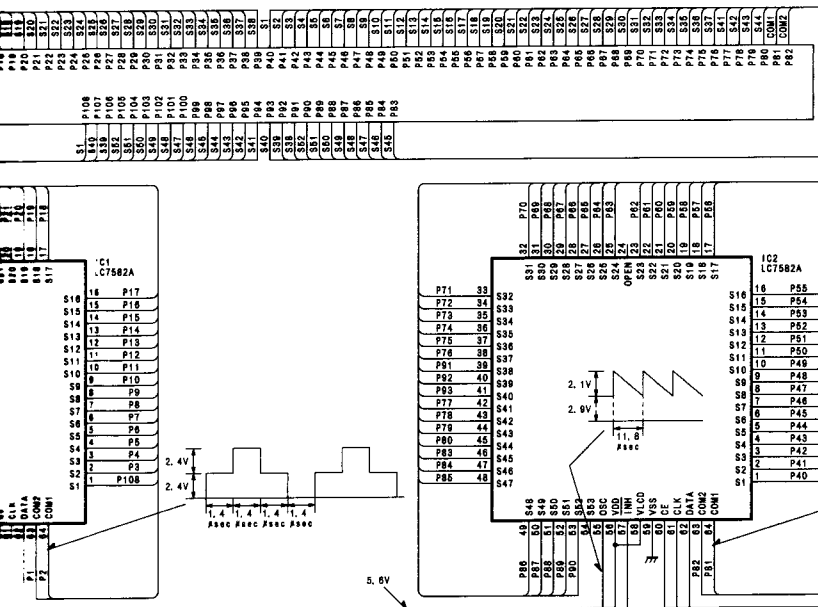
to MAIN-B
UNIT
J1

to MAIN-B
UNIT
J2

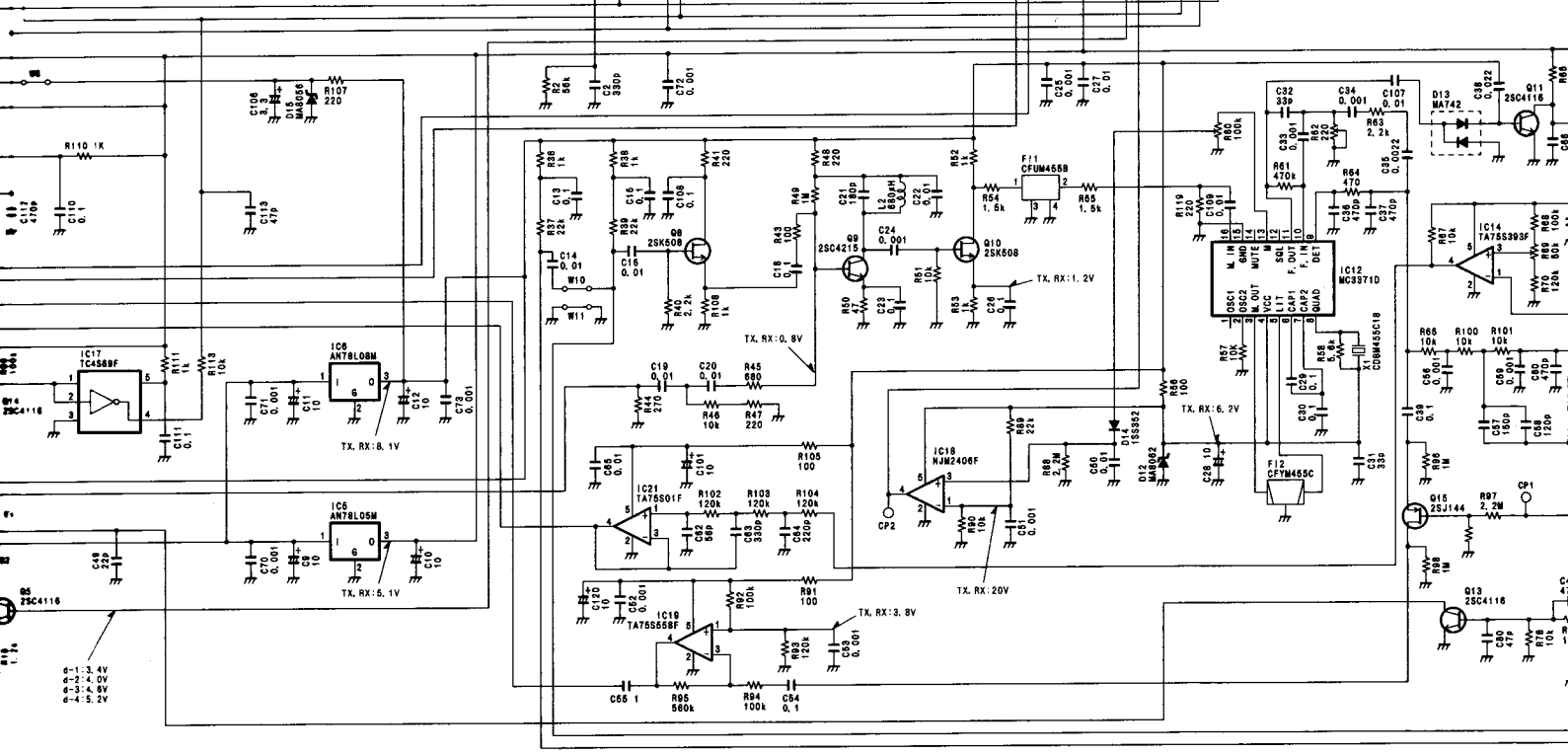




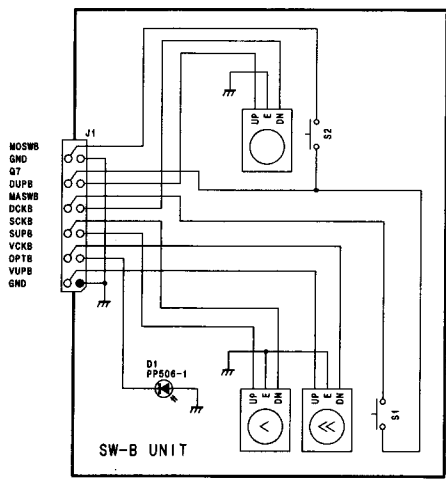
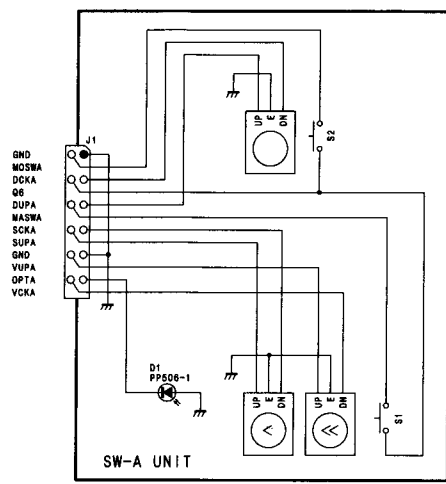
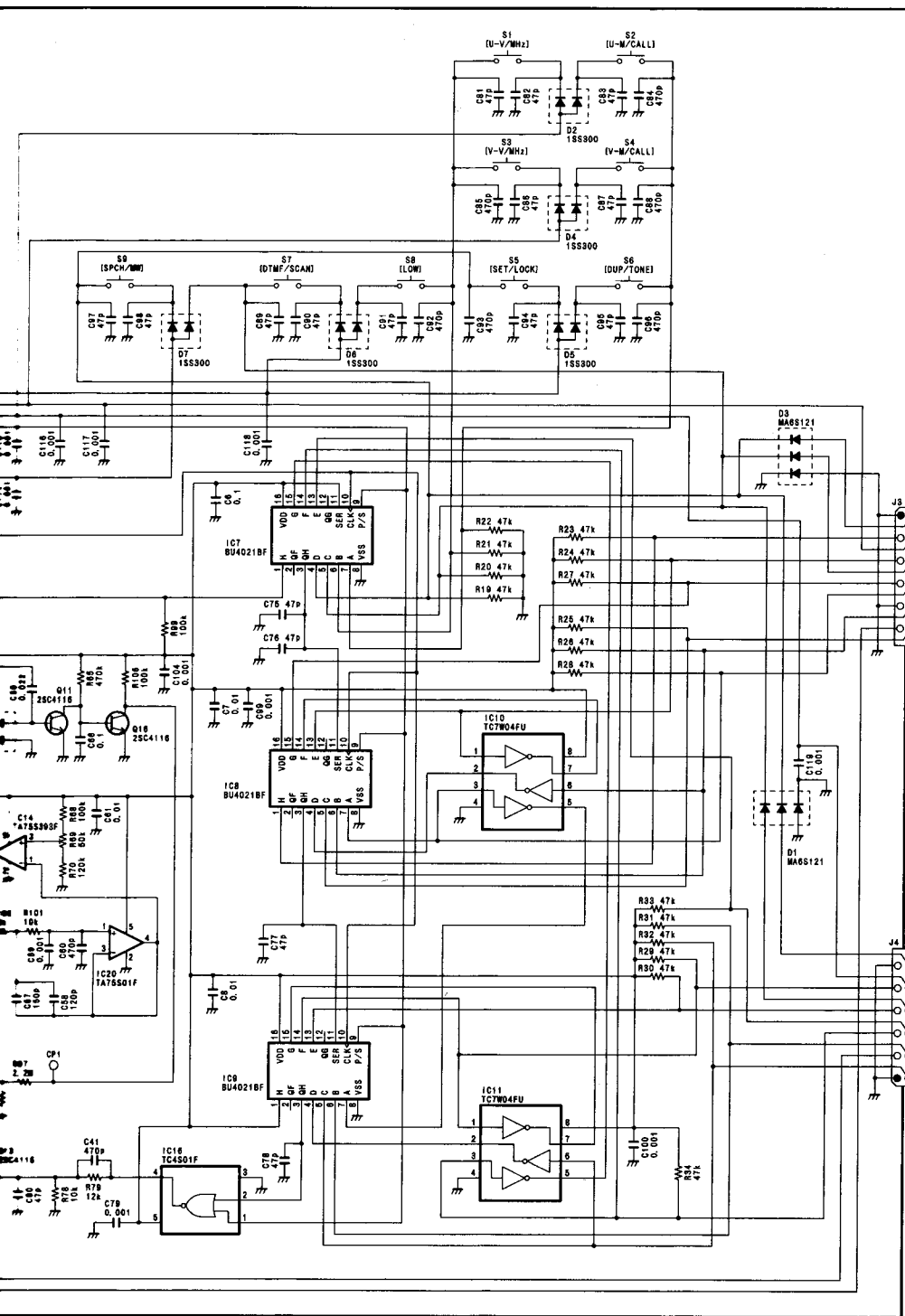




DS1
T0-12624ABJK



0-1: 3.4V
0-2: 4.0V
0-3: 4.8V
0-4: 5.2V



Icom Inc.

6-9-16, Kamihigashi, Hirano-ku, Osaka 547, Japan
Phone: 06 793 5302
Fax : 06 793 0013
Telex : 05277822 ICOMTR J

Icom America Inc.

<Corporate Headquarters>
2380 116th Avenue N.E., Bellevue, WA 98004, U.S.A.
Phone : (206) 454-8155
Fax : (206) 454-1509
Telex : 152210 ICOM AMER BVUE

<Customer Service>
Phone : (206) 454-7619

<Regional Customer Service Center>
18102 Sky Park South, Suite 52-B, Irvine, CA 92714, U.S.A.
Phone : (714) 852-8026
Fax : (714) 852-8716

Icom Canada

A Division of Icom America Inc.
3071 #5 Road, Unit 9, Richmond, B.C., V6X 2T4, Canada
Phone : (604) 273-7400
Fax : (604) 273-1900

Icom (Europe) GmbH

Communication Equipment
Himmelgeister Str. 100, 40225 Düsseldorf 1, Germany
Phone : 0211 346047
Fax : 0211 333639

Icom (Australia) Pty. Ltd.

A C N 006 092 575
7 Duke Street, Windsor, Victoria, 3181, Australia
Phone : 03 529 7582
Fax : 03 529 8485

Icom (UK) Ltd.

Unit 9, Sea St., Herne Bay, Kent, CT6 8LD, U.K.
Phone : 0227 741741
Fax : 0227 741742
Telex : 965179 ICOM G

Icom France S.a

Zac de la Plaine, Rue Brindejone des Moulinais
BP 5804, 31505 Toulouse Cedex, France
Phone : 61. 36. 03. 03
Fax : 61. 34. 05. 91
Telex : 521515 ICOM FRA

Count on us!
