

ICOM

**SERVICE
MANUAL**

IC-28A/E/H

ICOM INCORPORATED

FOREWORD

Thank you for selecting ICOM's versatile **IC-28A/E/H**, one of the finest FM mobile transceivers on the market today.

Sophisticated in design, yet light, compact, and easy to operate, the **IC-28A/E/H** benefits from the latest in ICOM engineering techniques and from ICOM's established leadership in the communications field.



The picture shows the IC-28A version.

ASSISTANCE

Four separate versions of the **IC-28A/E/H** have been designed for use in the U.S.A., Europe, Australia, and in Spain and Italy. This service manual covers every version. When using the manual each model can be referred to by the following assigned version numbers:

- #01 U.S.A. version
- #03 EUROPE version
- #04 AUSTRALIA version
- #05 SPAIN, ITALY versions

If you require assistance or information regarding the operation and capabilities of the **IC-28A/E/H**, please contact your nearest authorized ICOM Dealer or ICOM Service Center.

TABLE OF CONTENTS

SECTION 1 SPECIFICATIONS	1 – 1 ~ 2
1-1 GENERAL	1 – 1
1-2 TRANSMITTER	1 – 1
1-3 RECEIVER	1 – 2
SECTION 2 OUTSIDE AND INSIDE VIEWS	2 – 1 ~ 4
2-1 FRONT PANEL	2 – 1
2-2 DISPLAY	2 – 2
2-3 REAR PANEL	2 – 2
2-4 MAIN UNIT	2 – 3
2-5 EF UNIT	2 – 3
2-6 RX UNIT	2 – 4
SECTION 3 BLOCK DIAGRAM	3 – 1
SECTION 4 CIRCUIT DESCRIPTION	4 – 1 ~ 6
4-1 RECEIVER CIRCUITS	4 – 1
4-2 TRANSMITTER CIRCUITS	4 – 2
4-3 PLL CIRCUITS	4 – 2
4-4 LOGIC CIRCUITS	4 – 3
SECTION 5 DISASSEMBLY AND ASSEMBLY DIAGRAMS	5 – 1 ~ 6
5-1 FRONT PANEL DISASSEMBLY	5 – 1
5-2 FRAME DISASSEMBLY	5 – 2
5-3 MAIN UNIT CONNECTOR ASSEMBLY (IC-28A/E VERSIONS)	5 – 3
5-4 RX UNIT CONNECTOR ASSEMBLY (IC-28A/E VERSIONS)	5 – 4
5-5 MAIN UNIT CONNECTOR ASSEMBLY (IC-28H VERSIONS)	5 – 5
5-6 RX UNIT CONNECTOR ASSEMBLY (IC-28H VERSIONS)	5 – 6
SECTION 6 MAINTENANCE AND ADJUSTMENT	6 – 1 ~ 12
6-1 PREPARATION BEFORE SERVICING	6 – 1
6-2 PLL ADJUSTMENT	6 – 1
6-3 TRANSMITTER ADJUSTMENT	6 – 3
6-4 RECEIVER ADJUSTMENT	6 – 7
6-5 RX LEVEL DIATRAM	6 – 11
6-6 TX LEVEL DIAGRAM	6 – 12
SECTION 7 BOARD LAYOUTS	7 – 1 ~ 4
7-1 EF UNIT	7 – 1
7-2 MAIN UNIT (IC-28A/E VERSIONS)	7 – 2
7-3 MAIN UNIT (IC-28H VERSIONS)	7 – 3
7-4 RX UNIT	7 – 4
SECTION 8 VOLTAGE/CIRCUIT DIAGRAMS	8 – 1 ~ 5
8-1 EF UNIT WIRING DIAGRAM	8 – 1
8-2 EF UNIT	8 – 2
8-3 MAIN UNIT (IC-28A/E VERSIONS)	8 – 3
8-4 MAIN UNIT (IC-28H VERSIONS)	8 – 4
8-5 RX UNIT	8 – 5
SECTION 9 TROUBLESHOOTING	9 – 1
SECTION 10 IC RATINGS	10 – 1 ~ 5
10-1 LINEAR ICs	10 – 1
10-2 LOGIC ICs	10 – 3

SECTION 11 PARTS LIST	11 - 1 ~ 7
11 - 1 EF UNIT	11 - 1
11 - 2 MAIN UNIT	11 - 2
11 - 3 RX UNIT	11 - 5
SECTION 12 OPTIONAL UNITS	12 - 1 ~ 6
12 - 1 UT-28, UT-29 OPTIONS	12 - 1
12 - 2 UT-28, UT-29 BOARD LAYOUTS	12 - 2
12 - 3 UT-28 VOLTAGE/CIRCUIT DIAGRAM	12 - 3
12 - 4 UT-29 VOLTAGE/CIRCUIT DIAGRAM	12 - 4
12 - 5 UT-28, UT-29 PARTS LIST	12 - 5
12 - 6 OTHER OPTIONAL UNITS	12 - 6
SECTION 13 SCHEMATIC DIAGRAM	SEPARATE

SECTION 1 SPECIFICATIONS

1 - 1 GENERAL

Frequency coverage

MODEL	GUARANTEED RANGE	OPERATIONAL RANGE	
	TRANSCEIVER	RECEIVER	TRANSMITTER
IC-28A U.S.A. version	144.00 ~ 148.00	138.00 ~ 174.00	140.10 ~ 150.00
IC-28E Europe version	144.00 ~ 146.00	144.00 ~ 146.00	144.00 ~ 146.00
IC-28A Australia version	144.00 ~ 148.00	144.00 ~ 148.00	144.00 ~ 148.00
IC-28E Spain, Italy versions	144.00 ~ 148.00	140.00 ~ 150.00	140.00 ~ 150.00

NOTE: Ranges are identical for the IC-28H model.

Frequency resolution : U.S.A., Australia versions 5, 10, 15, 20 or 25kHz (programmable)

Frequency control : CPU based 5kHz (or 6.25kHz) step digital PLL synthesizer
Simplex and semi-duplex capability (programmable offset)

Memory channels : 21 channels

Usable temperature range : -10°C ~ +60°C (+14°F ~ +140°F)

Power supply requirement : 13.8V DC ±15% (negative ground)
AC power supply is available for AC operation.

Current drain (at 13.8V DC) : Transmit
(IC-28A/E versions) HIGH (25W) Approx. 6.0A
LOW (5W) Approx. 3.0A
Receive
Max. audio output Approx. 800mA
Squelched Approx. 450mA

(IC-28H version) : Transmit
HIGH (45W) Maximum 9.5A
LOW (5W) Approx. 3.5A
Receive
Max. audio output Approx. 800mA
Squelched Approx. 450mA

Antenna impedance : 50 ohms unbalanced

Dimensions : 140(140)mm(W) × 50(50)mm(H) × 133(148.5)mm(D)
Bracketed values include projections

Weight : 0.95kg (IC-28A/E versions)
1.2kg (IC-28H version)

1 - 2 TRANSMITTER

(IC-28A/E versions)

Output power : HIGH 25W LOW 5W

Emission mode : 16K0F3E

Modulation system : Variable reactance frequency modulation

Max. frequency deviation : ±5.0kHz

Spurious emissions : More than 60dB below carrier

Microphone : 600 ohm electret condenser with Push-To-Talk and scanning switches
(Europe, Spain, and Italy versions include a 1750Hz TONE BURST SWITCH)

(IC-28H version)

Output power	:	HIGH 45W LOW 5W
Emission mode	:	16K0F3E (16K0F2D: When operating with an optional UT-28)
Modulation system	:	Variable reactance frequency modulation
Max. frequency deviation	:	±5.0kHz
Spurious emission	:	More than 60dB below carrier
Microphone	:	600 ohm electret condenser with Push-To-Talk and scanning switches (Europe, Spain, and Italy versions include a 1750Hz TONE BURST SWITCH)

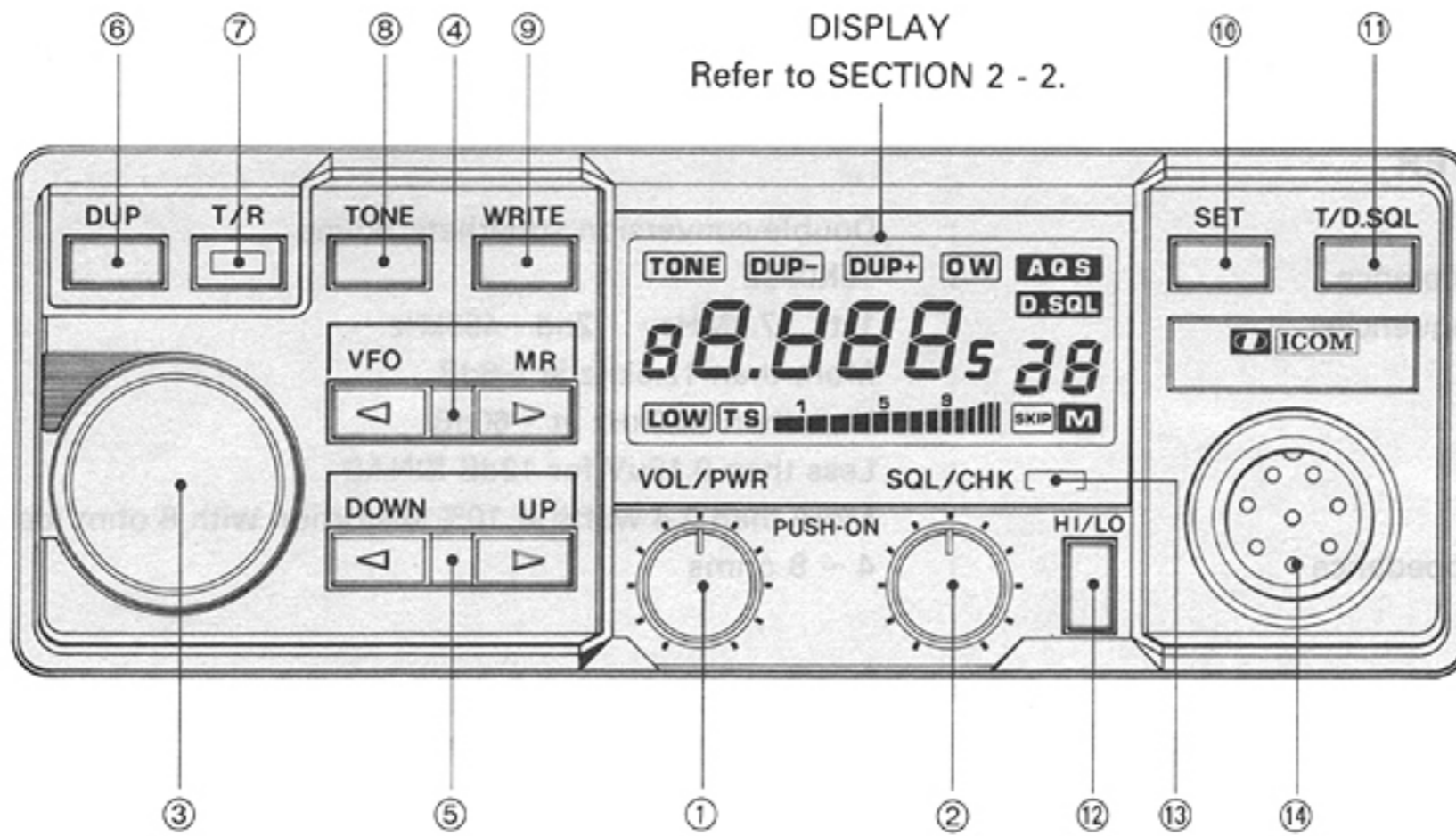
1 - 3 RECEIVER

Receive system	:	Double-conversion superheterodyne
Modulation acceptance	:	16K0F3E
Intermediate frequencies	:	1st 17.2MHz 2nd 455kHz
Selectivity	:	More than 12.5kHz at -6dB Less than 25.0kHz at -60dB
Sensitivity	:	Less than 0.18μV for 12dB SINAD
Audio output	:	More than 2.4 watts at 10% distortion with 8 ohm load
Audio output impedance	:	4 ~ 8 ohms

All stated specifications are approximate and subject to change without notice or obligation.

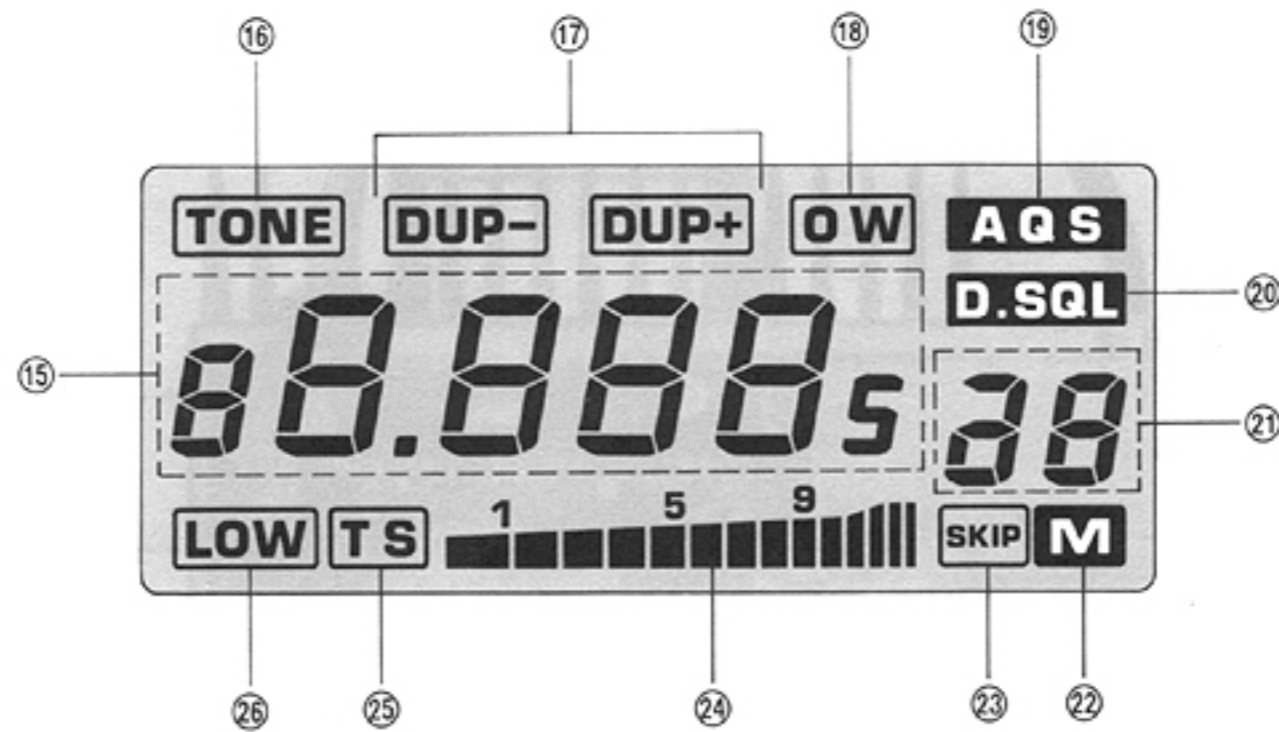
SECTION 2 OUTSIDE AND INSIDE VIEWS

2 - 1 FRONT PANEL



- ① VOLUME CONTROL/POWER SWITCH [VOL/PWR]
- ② SQUELCH CONTROL/CHECK SWITCH [SQL/CHK]
- ③ TUNING CONTROL
- ④ VFO/MEMORY READ SWITCH [VFO/MR]
- ⑤ DOWN/UP SWITCH [DOWN/UP]
- ⑥ DUPLEX SWITCH [DUP]
- ⑦ TRANSMIT/RECEIVE INDICATOR [T/R]
- ⑧ TONE SWITCH [TONE] (U.S.A. version)
CALL SWITCH [CALL] (Australia, Europe, Spain, Italy versions)
- ⑨ WRITE SWITCH [WRITE]
- ⑩ SET SWITCH [SET]
- ⑪ TONE SQUELCH SWITCH/DIGITAL SQUELCH SWITCH [T/D. SQL]
- ⑫ HIGH/LOW SWITCH [HI/LO]
- ⑬ DISPLAY DIMMER SENSOR
- ⑭ MIC CONNECTOR

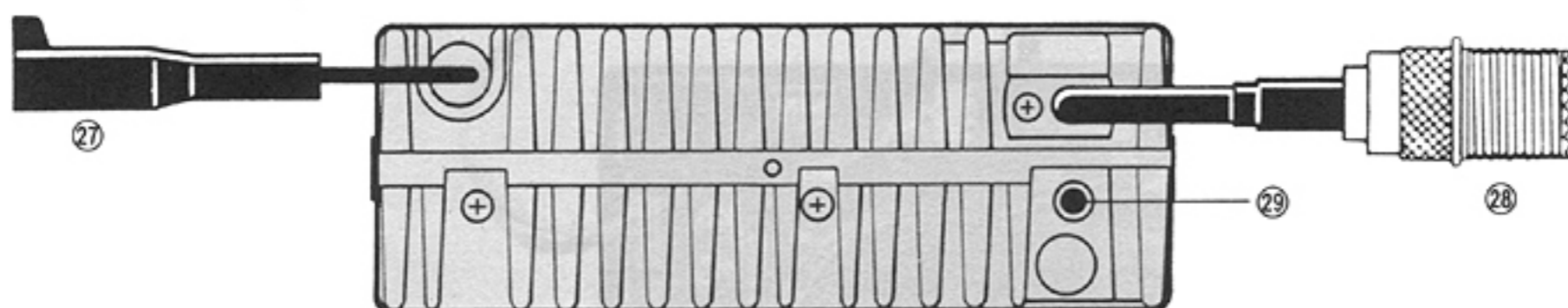
2 - 2 DISPLAY



- ⑮ FREQUENCY
- ⑯ SUBAUDIBLE TONE INDICATOR "TONE"
- ⑰ DUPLEX MODE INDICATORS "DUP-, DUP+"
- ⑱ OFFSET WRITE INDICATOR "OW"
- ⑲ GROUP CODE INDICATOR "AQS"
- ⑳ SQUELCH SYSTEM INDICATOR "D. SQL"
- ㉑ MEMORY CHANNEL NUMBER
- ㉒ MEMORY MODE INDICATOR "M"
- ㉓ MEMORY CHANNEL SKIP INDICATOR "SKIP"
- ㉔ S/R F INDICATOR
- ㉕ TUNING STEP INDICATOR "TS"
- ㉖ OUTPUT POWER INDICATOR "LOW"

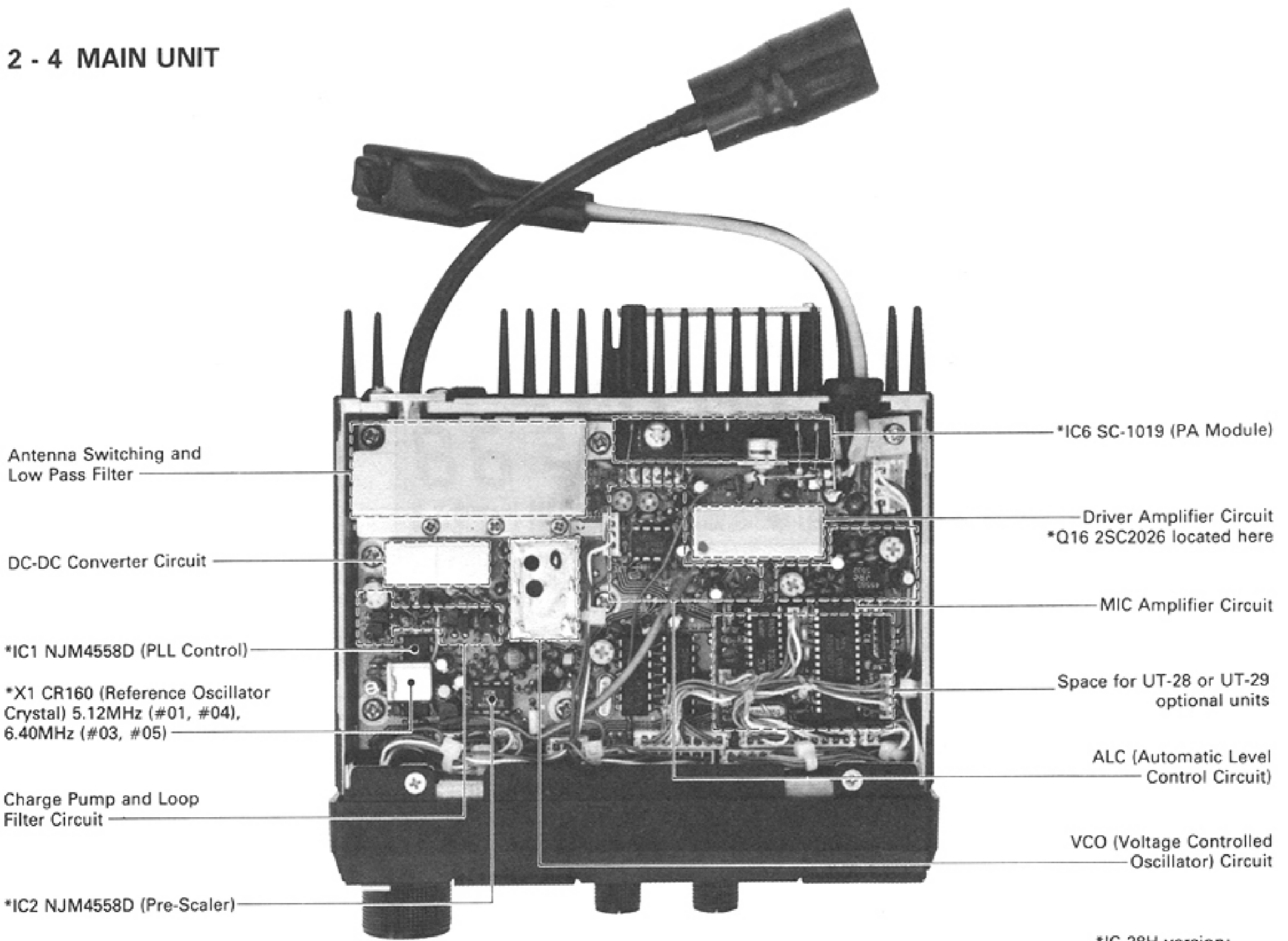
AQS refers to Amateur Quinmatic System which includes digital code squelch as one feature. The digital code squelch used in AQS is not compatible with some other commercially available digital squelch systems.

2 - 3 REAR PANEL



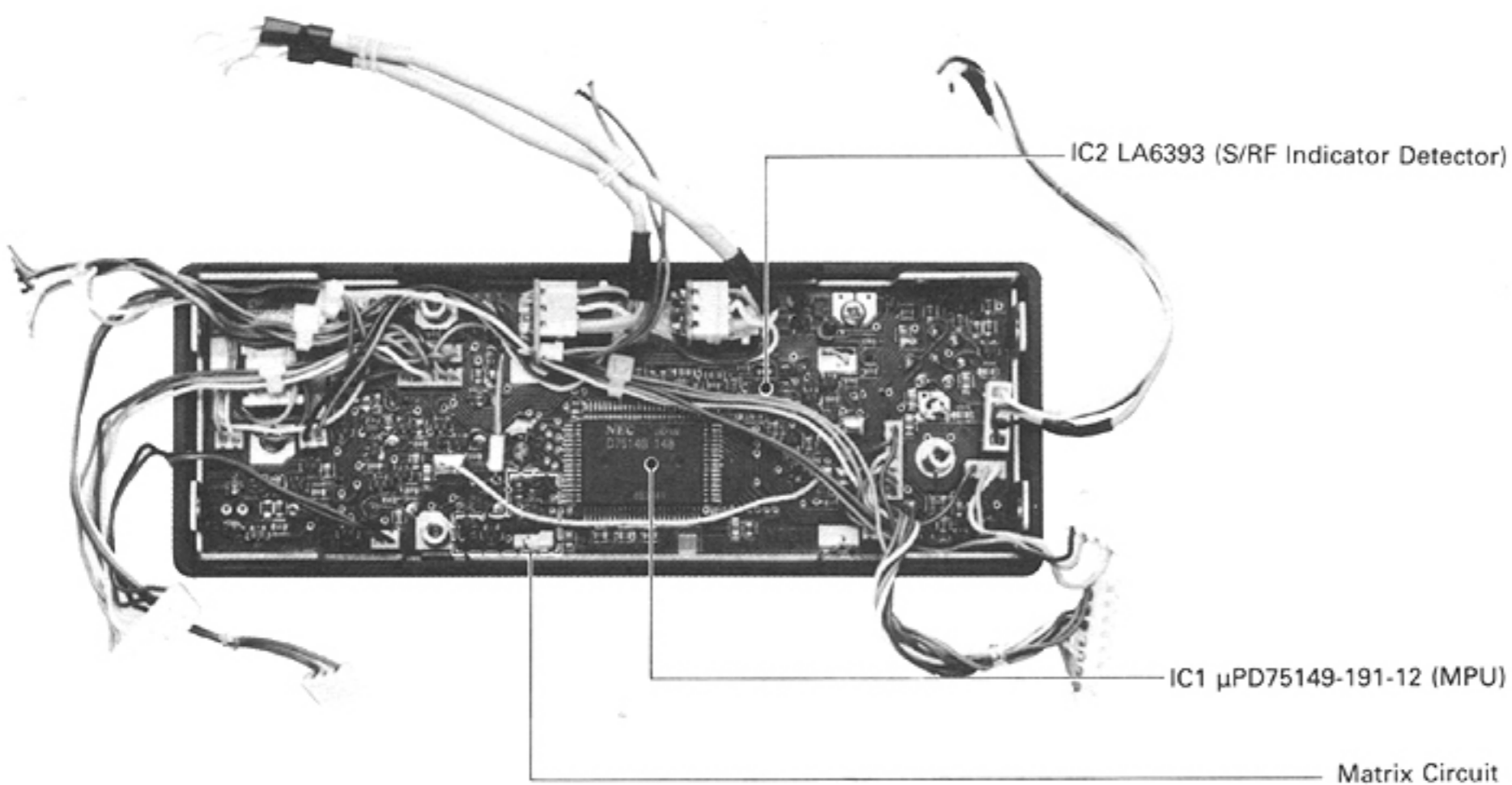
- ⑳ POWER CONNECTOR
- ㉑ ANTENNA CONNECTOR
- ㉒ EXTERNAL SPEAKER JACK

2 - 4 MAIN UNIT

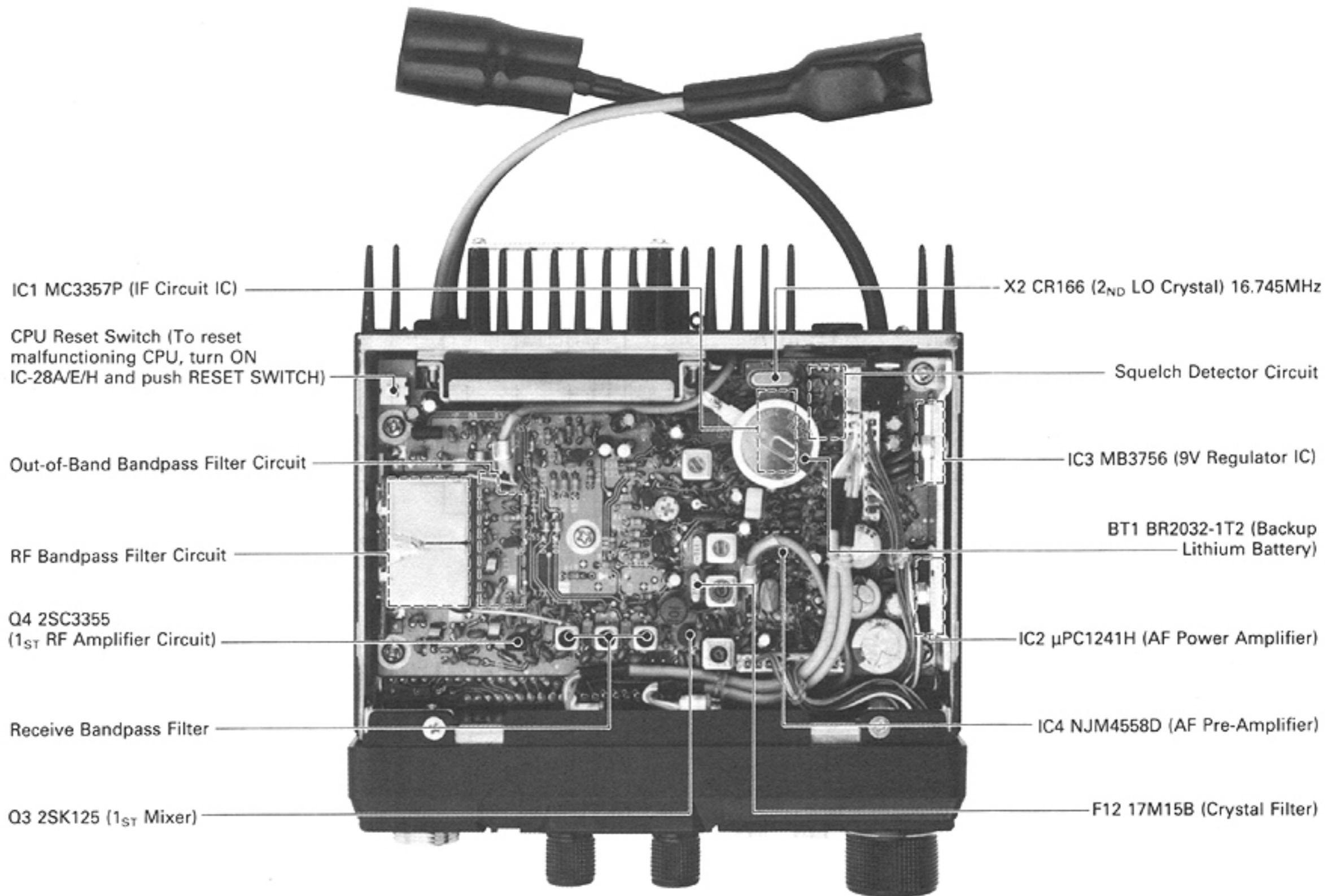


*IC-28H version:
 IC1 MB87001P-G
 IC2 MB504P-G
 IC6 SC-1022
 Q16 TRF559
 X1 CR106 (#01, #04)
 CR107 (#03, #05)

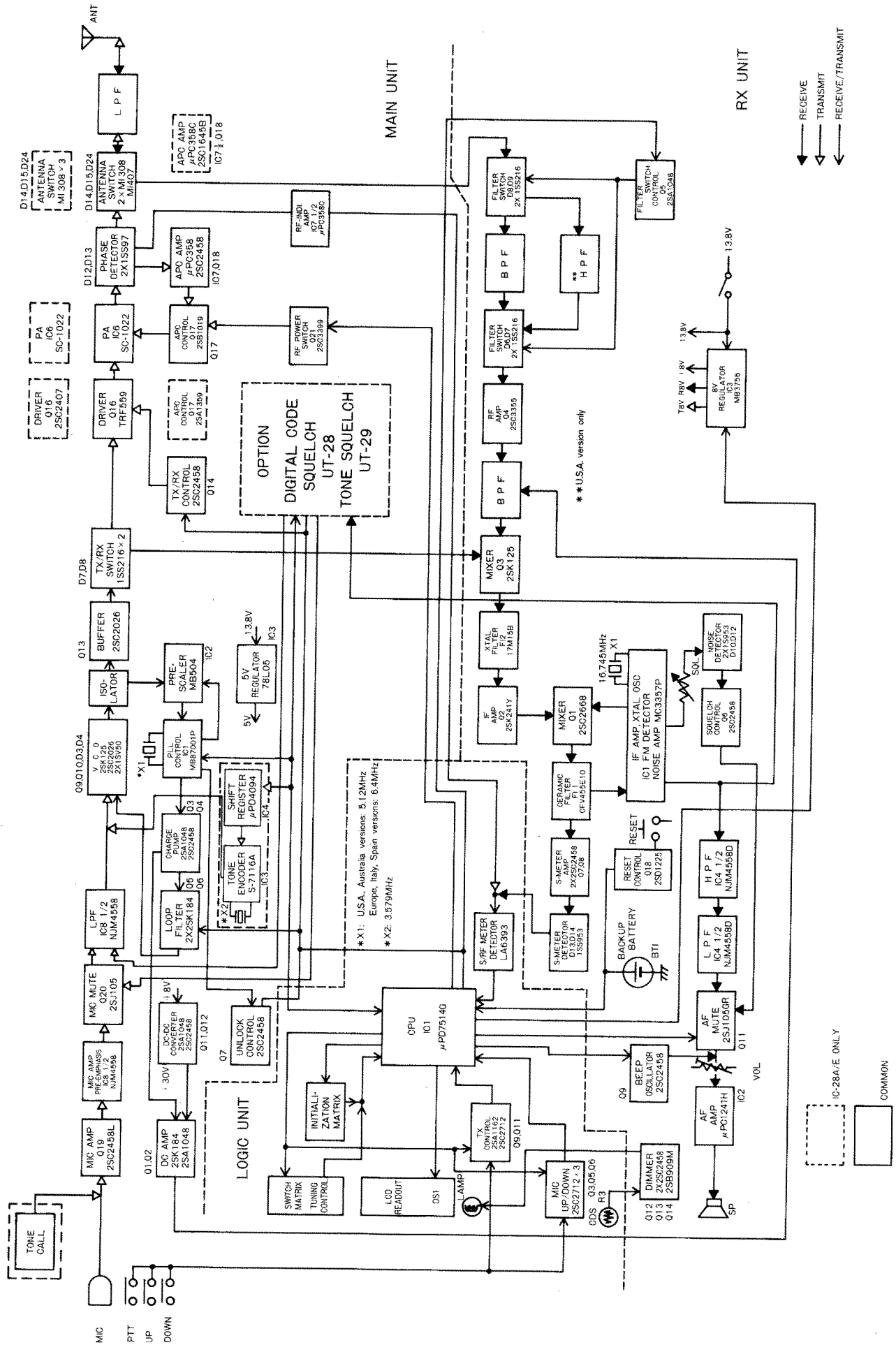
2 - 5 EF UNIT



2 - 6 RX UNIT



SECTION 3 BLOCK DIAGRAM



SECTION 4 CIRCUIT DESCRIPTION

4 - 1 RECEIVER CIRCUITS

4 - 1 - 1 RF CIRCUIT

Signals from the antenna are fed to the RX UNIT through a constant K pie-type filter on the MAIN UNIT. In the amateur band an RF circuit having good intermodulation characteristics is created by using a bandpass filter (consisting of L11 and L10) that eliminates nearby amateur band signals. When operating out of the amateur band the RF circuit has a broad bandpass filter which uses a high pass filter (consisting of C48, L13, C47) and a constant K pie-type filter. The RF circuit is then free of variance on any frequency from 138 ~ 174MHz.

Switching between bandpass filters in and out of the amateur band is controlled by a signal from the LOGIC UNIT. This signal activates Q5 which turns ON and OFF a quarter-wave diode switch that is connected to the input and output of the bandpass filter.

Signals amplified by Q4 are fed to three-stage variable resonators consisting of coils L8, L7 and L6, and diodes D4, D3, and D2 to eliminate unwanted out-of-frequency signals and to obtain good receiver selectivity.

The control voltage for varactor diodes D4, D3 and D2 is supplied by the VCO UNIT through a buffer amplifier. This amplifier requires high voltage, so a DC-DC converter circuit is used to supply 30V DC to the buffer amplifier.

4 - 1 - 2 IF CIRCUIT

Signals from the BPF are passed into Q3 and are mixed with a 1st LO signal to convert the IF signal to 17.2MHz. The 1st LO signal is fed into R14 on the RX UNIT by applying R8V to a diode switch on the MAIN UNIT.

The 1st IF signal mixed by Q3 is fed to a matching circuit consisting of L3 and is fed to FI2, a high-shaped factor crystal filter designed to accept only the object signal and to eliminate any unwanted signals.

The 1st IF signal passed through the filter is fed to a matching circuit consisting of L2, and is amplified by Q2, the 1st IF amplifier. The amplified signal is fed to Q1, the 2nd mixer circuit, to obtain the 2nd IF frequency (455kHz) with a 2nd LO signal generated by an oscillator circuit in IC1 and crystal X2.

The 2nd IF signal is fed to a high-performance ceramic filter, FI1, to eliminate unwanted signals and is amplified by a limiter amplifier in IC1. The amplified signal is fed to an FM detector circuit in IC1 using quadrature detection to get audio signals. This IF circuit creates a non-adjustment circuit using a phase-delay element with an X1 ceramic discriminator.

4 - 1 - 3 AF CIRCUITS

Audio signals from IC1 are amplified by a noise amplifier circuit in IC1 through the SQUELCH CONTROL on the front panel. A noise detector circuit consisting of D10 and D12 detects noise components and controls Q6 to receive the squelch control signal. This control signal is applied to Q10, turning ON and OFF Q11, the analog switch circuit, and to Q17. This action controls the IC2 AF amplifier which emits no audio output, including noise output, when no signal is received.

The audio signal from IC1 is fed to IC4 for deemphasis as well as for subaudible tone audio reduction from the speaker when the TONE SQUELCH function is being used. This audio signal is applied to the IC2 AF amplifier through the Q11 analog switch circuit and the VOLUME CONTROL on the front panel. The signal is amplified by IC2 and drives the internal or external speaker.

Q11 functions as a muting circuit using an analog switch to block the audio signal to IC2. An AF MUTE signal is obtained by the SQUELCH CONTROL or when the transceiver is in transmit mode. Q17 blocks leakage of the audio signal on the pin 1 line of IC2 when Q11 is activated.

When the beep oscillator is activated, Q16 controls Q17 and the beep signal is applied to IC2. If SWITCHES such as [DUP], [TONE], [WRITE], [VFO], [MR] and [SET] on the front panel are pushed, a parallel R-type phase oscillator using Q9 is activated by a signal from the CPU, emitting a beep sound. At this time, Q11 is activated and only the beep sound is emitted from the speaker.

4 - 1 - 4 S-METER CIRCUIT

S-meter signals are created by 2nd IF signals which are passed through FI1 and amplified by Q7 and Q8, the S-meter amplifier circuit. The 2nd IF signals are then fed to D13 and D14 where they are rectified, obtaining DC signals for the S-meter signal. The S-meter signal is then added to the RF-meter signal and this signal drives the bar indicator on the FREQUENCY DISPLAY through the LCD driver in the CPU.

4 - 1 - 5 AUTOMATIC DIMMER CIRCUIT

This circuit consists of Q12, Q13, Q14 on the RX UNIT and a photo sensor, R3 (CDS) on the EF UNIT. The CDS alters DISPLAY brightness according to variation of current. The current is amplified by Q14 and drives Q12 and Q13. The brightness of the FREQUENCY DISPLAY changes continuously via C113.

4 - 1 - 6 VOLTAGE REGULATOR CIRCUITS

The 13.8V line which passes through the POWER SWITCH on the front panel is applied to IC3 on the RX UNIT. IC3 is a voltage regulator with a selector switch IC chip for applying a constant 8V, R8V during receiving, and T8V during transmitting.

4 - 1 - 7 CPU RESET CIRCUIT

S1 and Q19 reset the CPU. If the CPU should malfunction, push the RESET SWITCH to reset it (See page 2 - 4 for the RESET SWITCH location on the RX UNIT). At this time, the CPU is initialized. Q18 prevents the transceiver from reverting to transmit mode when the CPU is being reset. The reset function only operates when the transceiver is ON.

4 - 2 TRANSMITTER CIRCUIT

4 - 2 - 1 MIC AMPLIFIER CIRCUIT

Audio signals from the microphone are fed into Q19, the first mic amplifier circuit, on the MAIN UNIT. After passing through this circuit, the signals are fed into IC8(A), the limiter amplifier circuit. This circuit has preemphasis characteristics between 300Hz and 3kHz with 6dB/octave.

Output signals from the limiter amplifier pass through Q20, the mic mute circuit, and are fed into IC8(B), the active low-pass filter circuit. The rectangular waveform of the limiter amplifier output contains many harmonics. Harmonics which are 3kHz or higher are eliminated by IC8(B).

These filtered signals are applied to the VCO to modulate the frequency and produce an FM signal. R100 is a variable resistor for adjusting deviation.

4 - 2 - 2 BUFFER AND DRIVE CIRCUITS

Signals generated at the VCO circuit are buffered at Q10, and passed through an isolating circuit consisting of L6, C24 and R30 to R32. After passing through the isolating circuit, signals are buffered and amplified at Q13 and applied to the driver amplifier circuit through switching circuit, D7 and D8. The driver amplifies the signal to a suitable level for the power amplifier.

4 - 2 - 3 POWER AMPLIFIER CIRCUIT

Output signals from the driver amplifier are fed into the power amplifier module, IC6, and output 25 watts (A/E version) or 45 watts (H version). The output signal of IC1 is applied to the ANTENNA CONNECTOR through the T/R switching circuit, D14, and the low pass filter.

4 - 2 - 4 ALC (Automatic Level Control) and RF POWER METER CIRCUITS

The output voltage level of the ALC detector circuit (D12, D13 and L14) is a minimum value when the antenna impedance is matched at 50 ohms. However, when the antenna impedance is in a mismatched condition, the detector voltage becomes higher than it would be if the antenna were matched.

The detector voltage is applied to the APC amplifier circuit, IC7(A). Output of IC7(A) controls the Q18 bias voltage, which in turn controls the total gain of the power amplifier (IC6) through Q17. R71 is the HIGH Power adjustment point while R72 is the LOW Power adjustment point. Both variable resistors control the amp gain of the APC Amplifier, IC7(A).

The detector voltage is also used for the RF meter. This voltage is applied to pin 5 of IC7(B), is amplified, and then is applied to IC2, the S/RF meter detector circuit, on the EF UNIT.

4 - 3 PLL CIRCUITS

4 - 3 - 1 DUAL MODULUS PRESCALER

The PLL is designed in a way that allows the desired frequency to be generated directly by the VCO, adopting a dual modulus prescaler system. The PLL consists of a prescaler (IC2) and PLL IC (IC1). It is fed "divided by N-data" from the MPU which determines the operating frequency.

N-data is determined by dividing the desired frequency by the reference frequency. The desired frequency is the transmit frequency in the transmit mode and the first local oscillator frequency in the receive mode.

$$N = \frac{\text{Desired frequency}}{\text{Reference frequency}}$$

A reference frequency of 5kHz (#01, #04) or 12.5kHz (#03, #05) is acquired by X1 and the divider inside IC1. A signal from the VCO that is buffer amplified at Q10 is fed into IC2 and divided N-times through the local oscillator switching circuit (D7, D8). The divided signal at IC2 is applied to IC1 and phase detected, resulting in lock voltages being output from pins 9 and 10. Output voltages are applied to varactor diodes D3 and D4 to control the VCO frequency through the charge pump and the loop filter. Due to a no-multiplying mixing circuitry, the circuit constitution is simple and reduces spuriousness.

4 - 3 - 2 LOOP FILTER CIRCUIT

Output from pins 9 and 10 of IC1 is fed into a charge pump (Q3 and Q4) and is then applied to a lag lead-type loop filter (R6, R11, R13, C1 ~ C4).

The PLL time constant switching circuit (Q5, Q6) reduces the resistance of R6 to shorten the PLL lock up time. When the frequency or transmit/receive mode is being changed, pin 7 of IC1 is at "LOW", Q7 is "OPEN", and Q5 and Q6 are activated.

To create wide-band oscillation characteristics in the VCO, a high voltage is applied to the charge pump. Q11 and Q12 comprise a DC-DC converter circuit which generates approximately 30V.

4 - 3 - 3 VCO CIRCUIT

The VCO, Q9, employs a Hartley Oscillator Circuit. This oscillator circuit has no shift circuit, so lock voltages which come from N-data control the entire frequency range. An output signal from the VCO is buffer amplified at Q10 and passes through the isolation circuit, L6.

4 - 4 LOGIC CIRCUITS

Logic circuits are installed in the EF UNIT. The EF UNIT is located behind the front panel and controls receiver and transmitter sections as well as all switch functions on the front panel.

The EF UNIT includes a one-chip microcomputer CPU, NEC μ PD7514G. This chip contains a 4-bit parallel processing ALU, an ROM, RAM, I/O ports, 8-bit serial interface, 8-bit programmable timer/event counter, and LCD controller/driver. It operates as an independent unit.

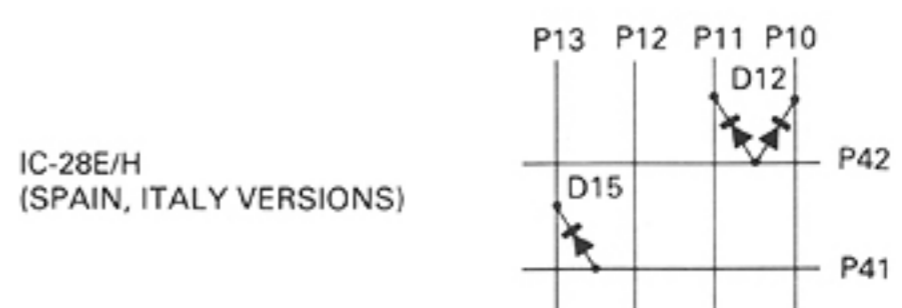
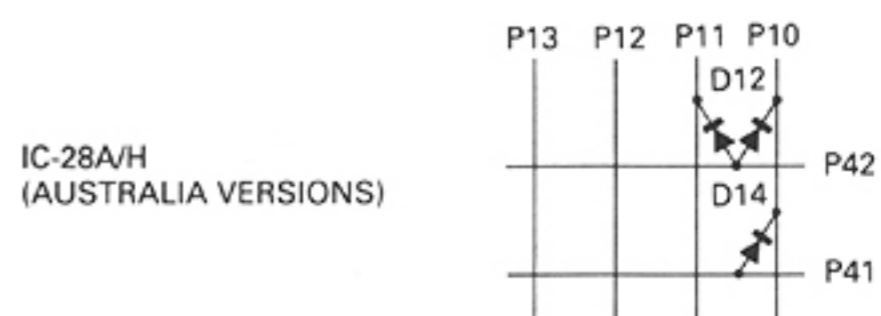
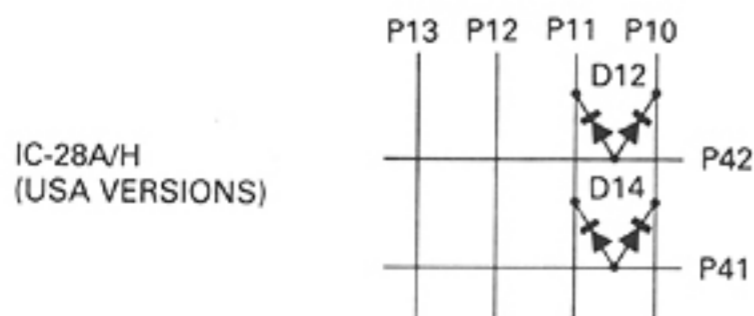
The following explanations are CPU descriptions for all functions related to the CONTROLS and SWITCHES on the front panel of the IC-28A/E/H.

4 - 4 - 1 CPU PORT ALLOCATIONS

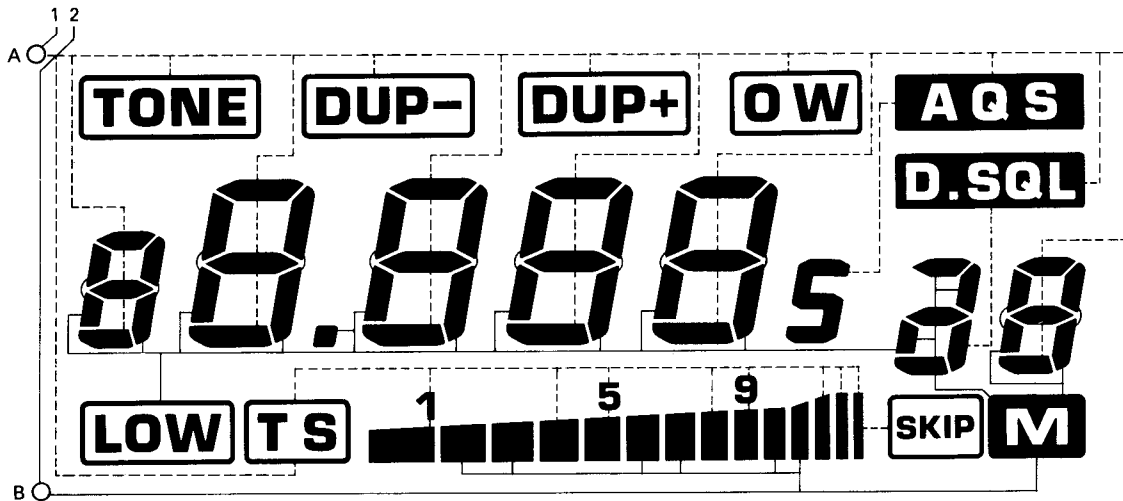
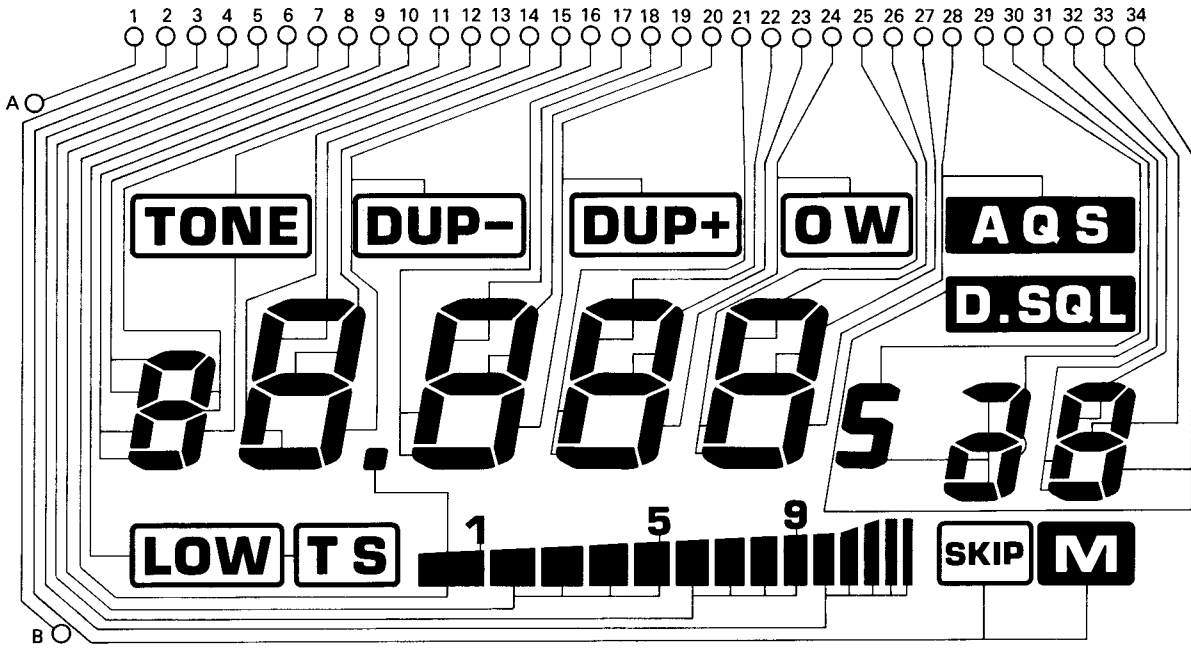
PORT NUMBER	DESCRIPTION
P00	Interrupt input. Processor enters STOP mode.
P01	Outputs serial CK signals for PLL, tone encoder and optional UT-28 or UT-29.
P02	Outputs serial DATA signals for PLL, tone encoder and optional UT-28 or UT-29.
P03	Operating frequency range of each version expands when this port is "HIGH".
P10 ~ P13	Input ports for the matrix circuit. Refer to page 4 - 4 for explanation of the matrix circuit.
P20	Output port for a strobe signal of the PLL N-data.
P21	Output port for a strobe signal of the built-in CTCSS encoder N-data.
P22	No function.
P30	This port becomes "HIGH" when a beep sound is emitted.
P31	This port becomes "LOW" for the SEND line when the transceiver is in the transmit mode.
P32	This port becomes "LOW" when low power output is selected.
P33	This port becomes "HIGH" when the Digital Code Squelch is turned ON.
P40	This port is for LCD control and becomes "HIGH" when the transceiver is turned OFF.
P41 ~ P53	These ports are for matrix output.
P60	This is a data input port for the S-INDICATOR and RF-INDICATOR. Refer to SECTION 4 - 4 - 3 for further information.
P61	This port outputs the RESET signal for the sub-CPU, and becomes "HIGH" for about 40 μ sec when the transceiver is initialized.
P62	This port becomes "HIGH" if the displayed frequency is out of band.
P63	This port becomes "HIGH" when AQS commands are sent to the sub-CPU in the AQS system.
P70	No function.
P71 ~ P73	These are data output ports for the S-INDICATOR and RF-INDICATOR. Refer to SECTION 4-4-3 for further information.
INT1	This is an input port for the Data Transmit Ready signal during communication with the sub-CPU for the AQS system, and is also an input port for the Group Number Verification signal when port P33 is "HIGH".

4 - 4 - 2 MATRIX PORT ALLOCATIONS

PORT NUMBER	DESCRIPTION
P41 ↔ P10 ~ P13	This flow sets a band width.
P42 ↔ P10	This flow sets the IF shift direction in receive mode. When the flow is activated, the IF shift selects (-) direction.
P42 ↔ P11	This flow sets the IF frequency. When the flow is activated, the IF frequency is selected at 17.2MHz.
P42 ↔ P12	No function.
P43 ↔ P10	This flow activates the [SET] SWITCH function.
P43 ↔ P11	These are squelch signal ports. When the SQLS line becomes "HIGH", Q4 is switched ON.
P43 ↔ P12	These are input ports for the microphone UP/DOWN clock (CK) signals. Q4 is switched ON while either the UP or DOWN SWITCH on the microphone is pushed.
P43 ↔ P13	These are input ports for the microphone UP/DOWN signals. Q5 is switched ON while the UP SWITCH on the microphone is pushed.
P50 ↔ P10	These ports are used in the Japanese IC-28 version.
P50 ↔ P11	These are input ports for the [VFO] SWITCH, and change the mode from memory mode to VFO mode.
P50 ↔ P12	These are input ports for the [MR] SWITCH, and change modes from the VFO mode to memory mode.
P51 ↔ P10, P11	These are input ports for the UP/DOWN signals on the MAIN DIAL.
P51 ↔ P12, P13	These are input ports for the [DOWN/UP] SWITCH.
P52 ↔ P10	These are input ports for the [HI/LO] SWITCH. They control output power when the transceiver is in LOW and switch the front panel "LOW" indicator ON or OFF.
P52 ↔ P11	This flow creates the transmit condition. When the [PTT] SWITCH is pushed and the PTT1 line is "LOW", Q11 is switched OFF and Q9 is switched ON. In addition, the SEND line becomes "HIGH" when this matrix flow is activated.
P52 ↔ P12	No function.
P53 ↔ P13	These are input ports for the [WRITE] SWITCH.
P53 ↔ P10	No function.
P53 ↔ P11	When the optional UT-28 is installed, this matrix flow is activated and the SEL1 line becomes "LOW", switching Q10 ON.
P53 ↔ P12	When the optional UT-29 is installed, this matrix flow is activated and the SEL2 line becomes "LOW", switching Q13 ON.
P53 ↔ P13	These are input ports for the [SQL] SWITCH.



■ LCD DISPLAY



4 - 4 - 3 S-INDICATOR AND RF-INDICATOR

S/RF signals from ports P71 ~ P73 are fed to R14 ~ R17 which are used for digital/analog (D/A) conversion. The output voltage of the D/A converter is compared with a reference voltage of the S/RF at IC2, a comparator IC chip. If the reference voltage is higher than the voltage of the D/A converter, IC2 outputs "HIGH" level voltage. If the reference voltage is lower, IC2 outputs "LOW" level voltage. The output signal of IC2 is fed to port P60.

- Receiving

When the transceiver is in the receive mode, the S-INDICATOR appears as shown in the chart below.

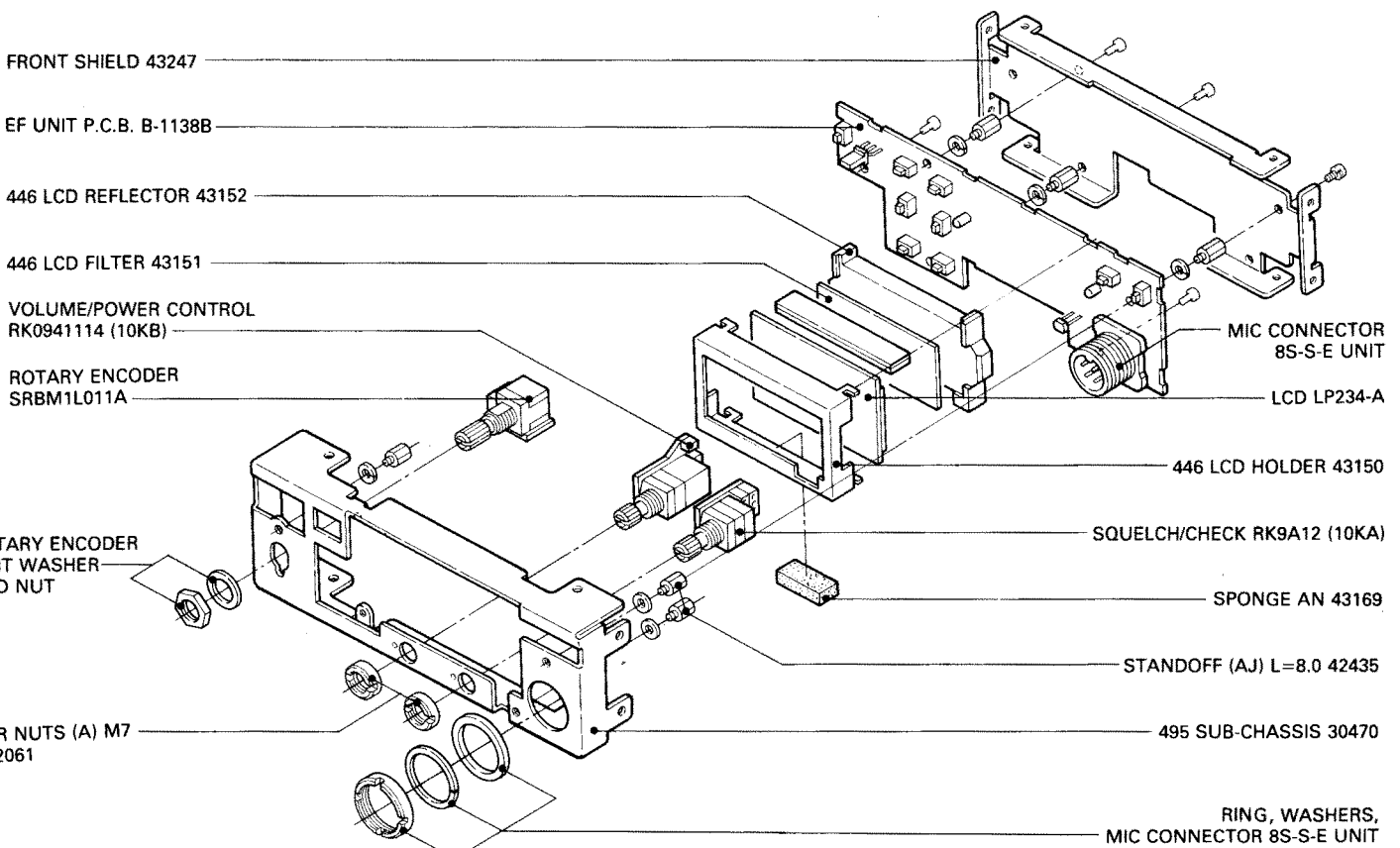
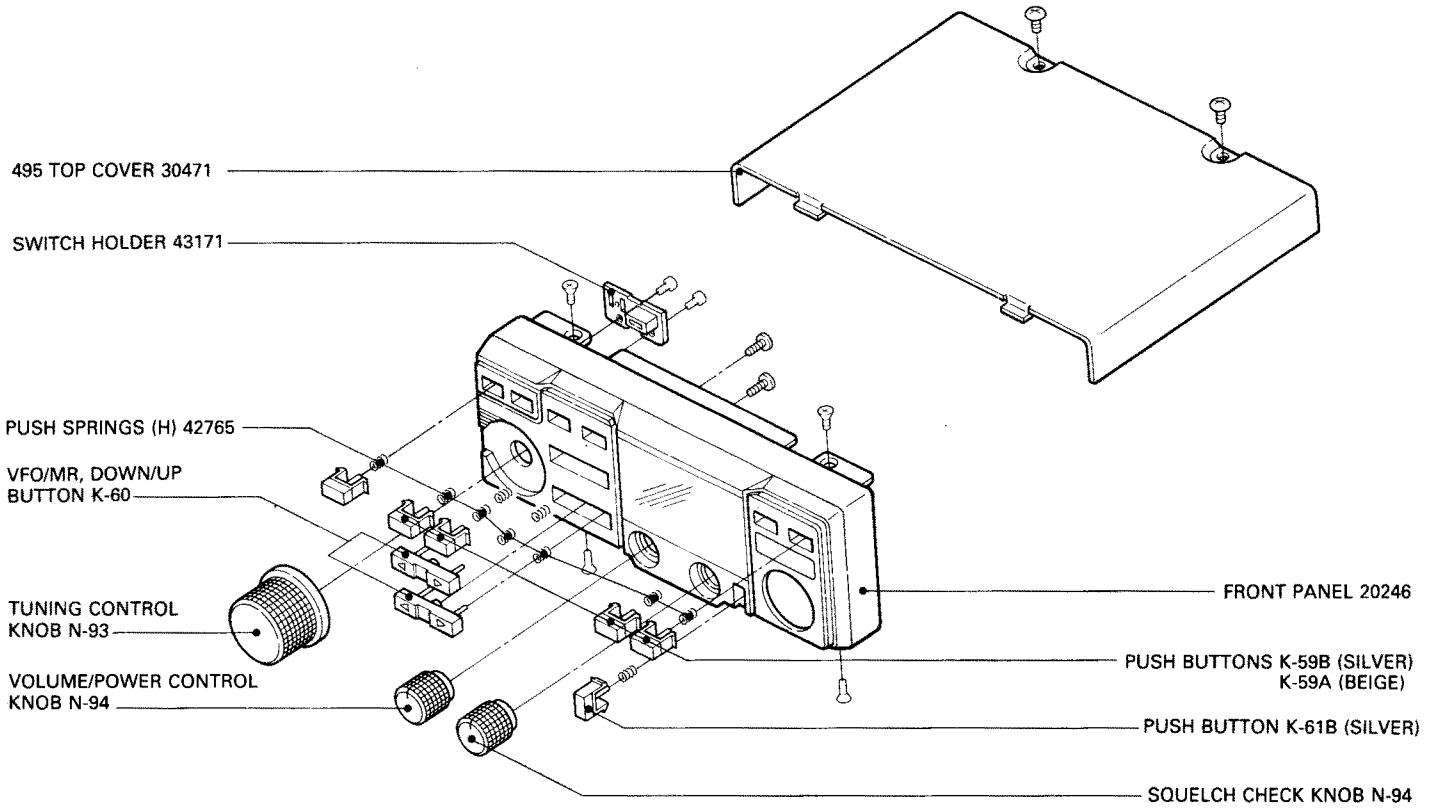
- Transmitting

When transmitting, P71 and P72 output "HIGH", P73 outputs "LOW", and P60 outputs "HIGH". If the high power output is selected, all ports from P71 ~ P73 are "HIGH" and the bar indicator appears at S-7. If low power output is selected, the bar indicator appears at S-3. When P60 is "LOW", the bar indicator does not appear on the LCD DISPLAY.

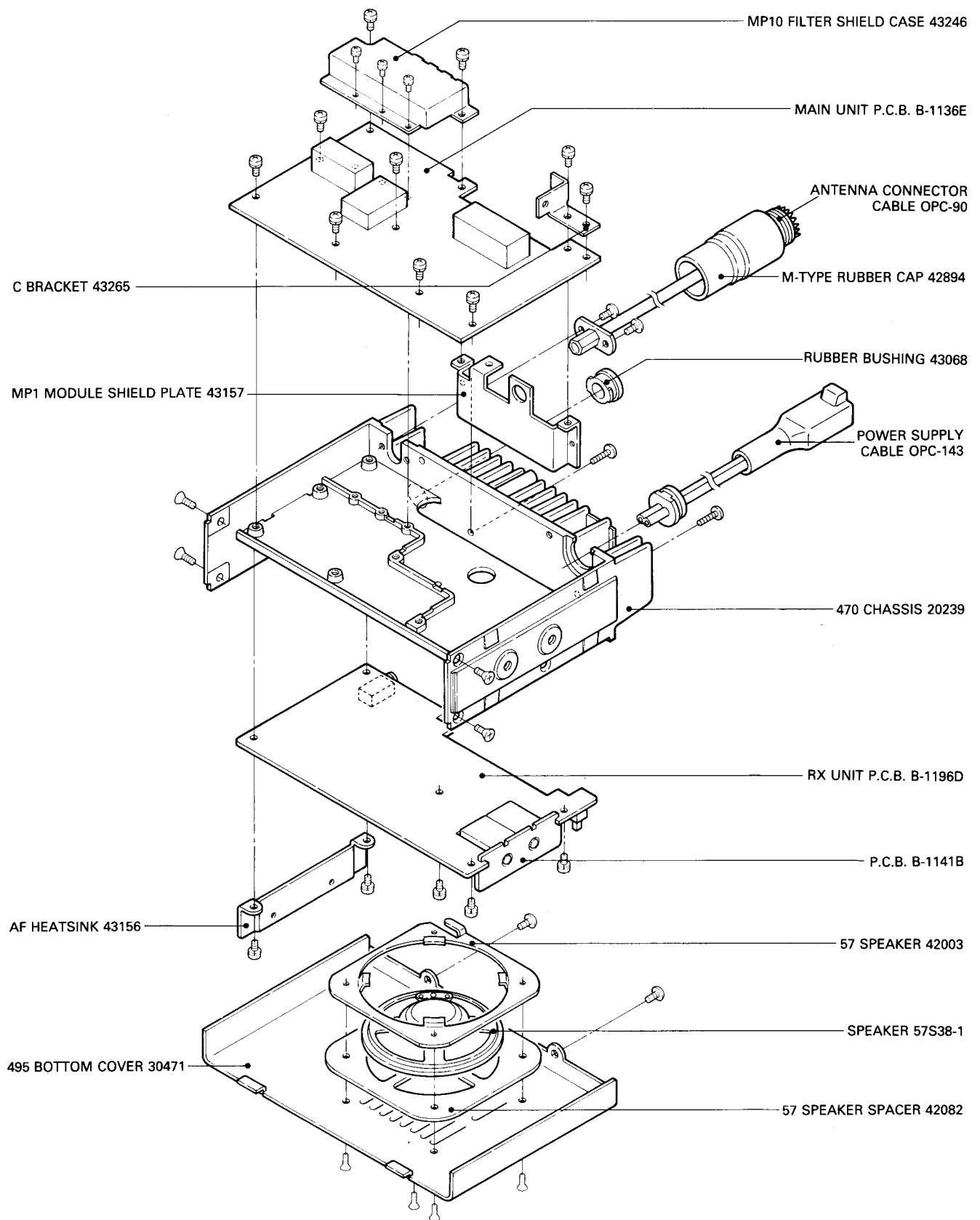
P73	P72	P71	NO. OF BARS
L	L	L	S-0
L	L	H	S-1
L	H	L	S-3
L	H	H	S-5
H	L	L	S-7
H	L	H	S-9
H	H	L	S-11
H	H	H	S-14

SECTION 5 DISASSEMBLY AND ASSEMBLY DIAGRAMS

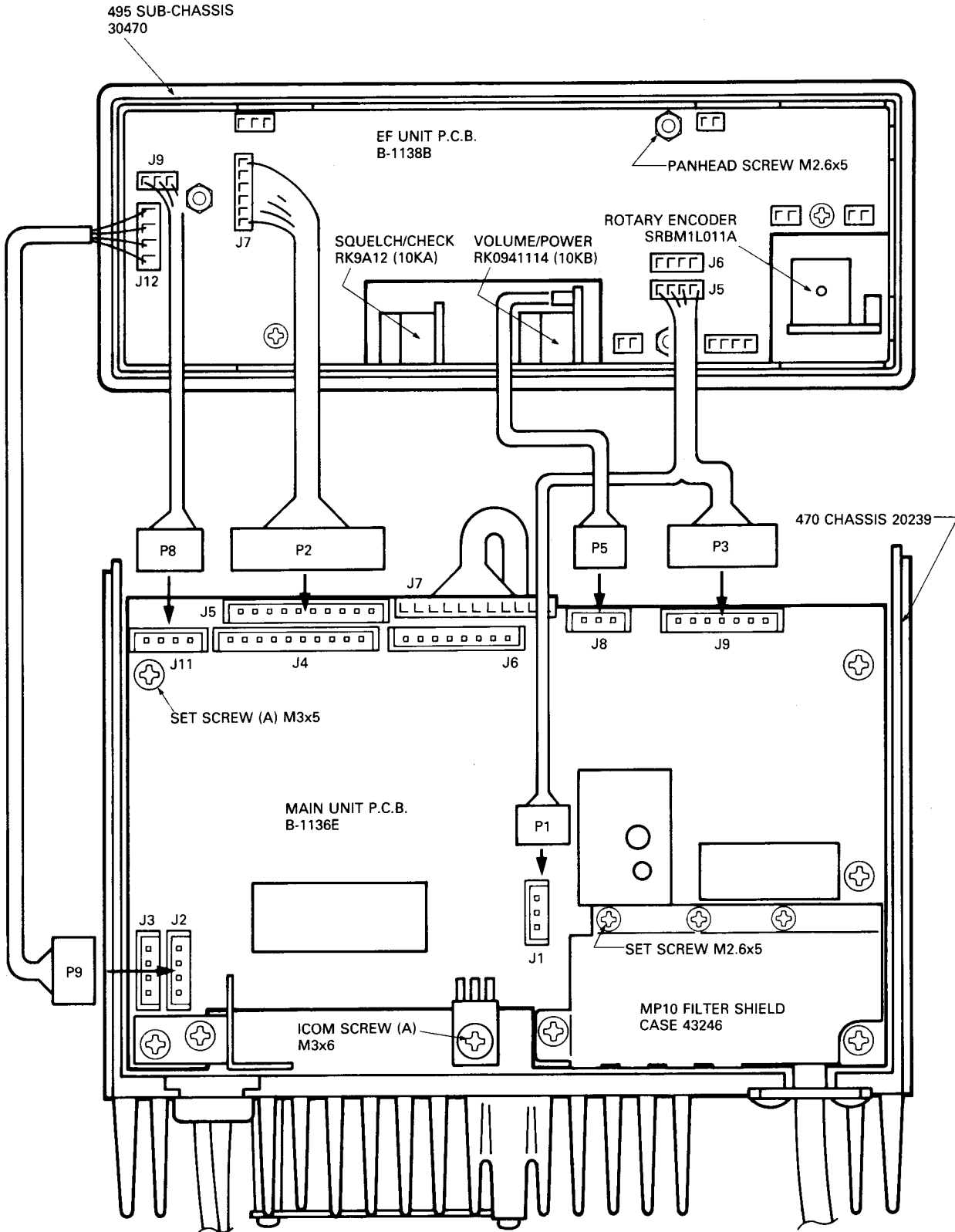
5 - 1 FRONT PANEL DISASSEMBLY



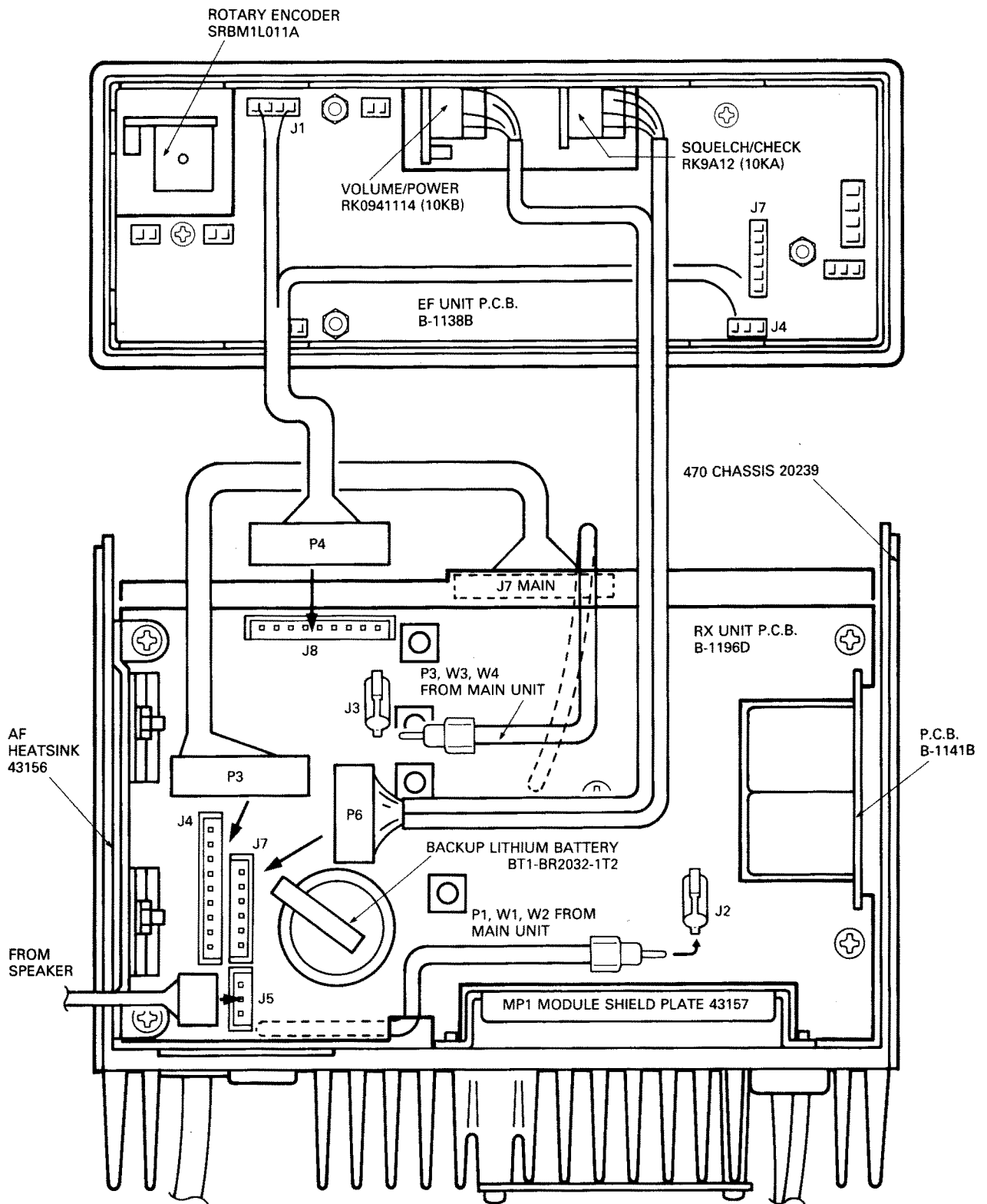
5 - 2 FRAME DISASSEMBLY



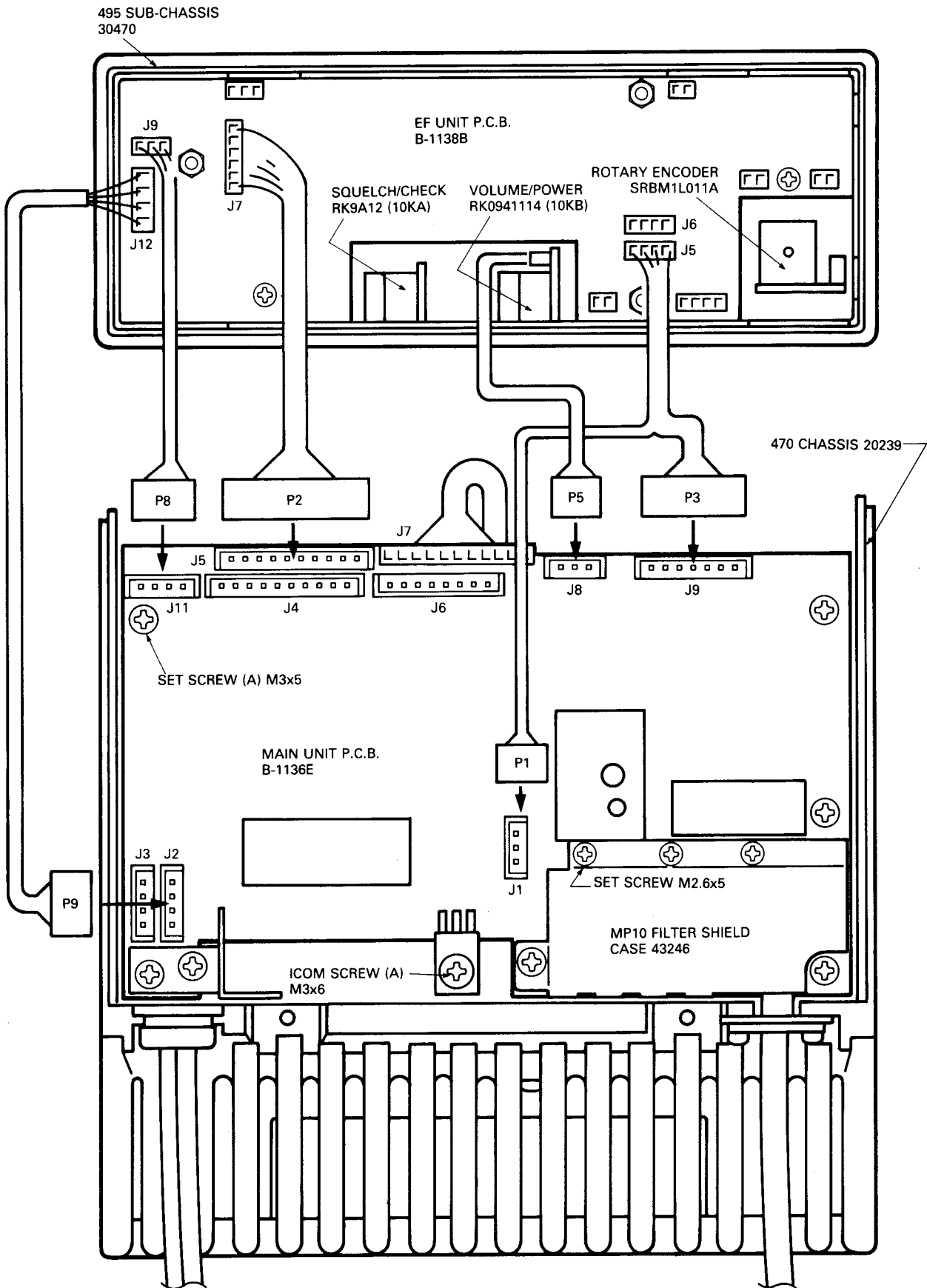
5 - 3 MAIN UNIT CONNECTOR ASSEMBLY (IC-28A/E VERSIONS)



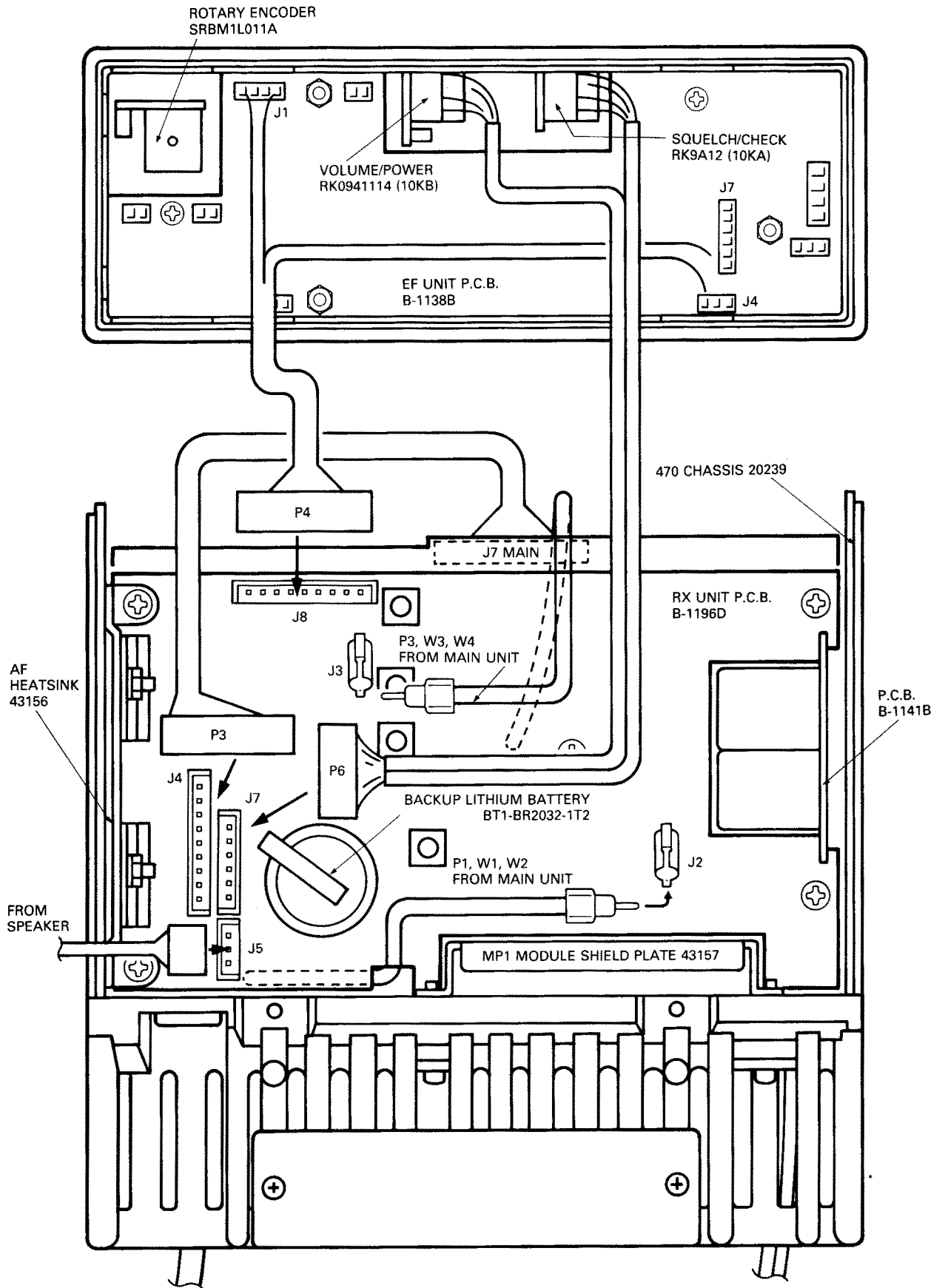
5 - 4 RX UNIT CONNECTOR ASSEMBLY (IC-28A/E VERSIONS)



5 - 5 MAIN UNIT CONNECTOR ASSEMBLY (IC-28H VERSIONS)



5 - 6 RX UNIT CONNECTOR ASSEMBLY (IC-28H VERSIONS)



SECTION 6 MAINTENANCE AND ADJUSTMENT

6 - 1 PREPARATION BEFORE SERVICING

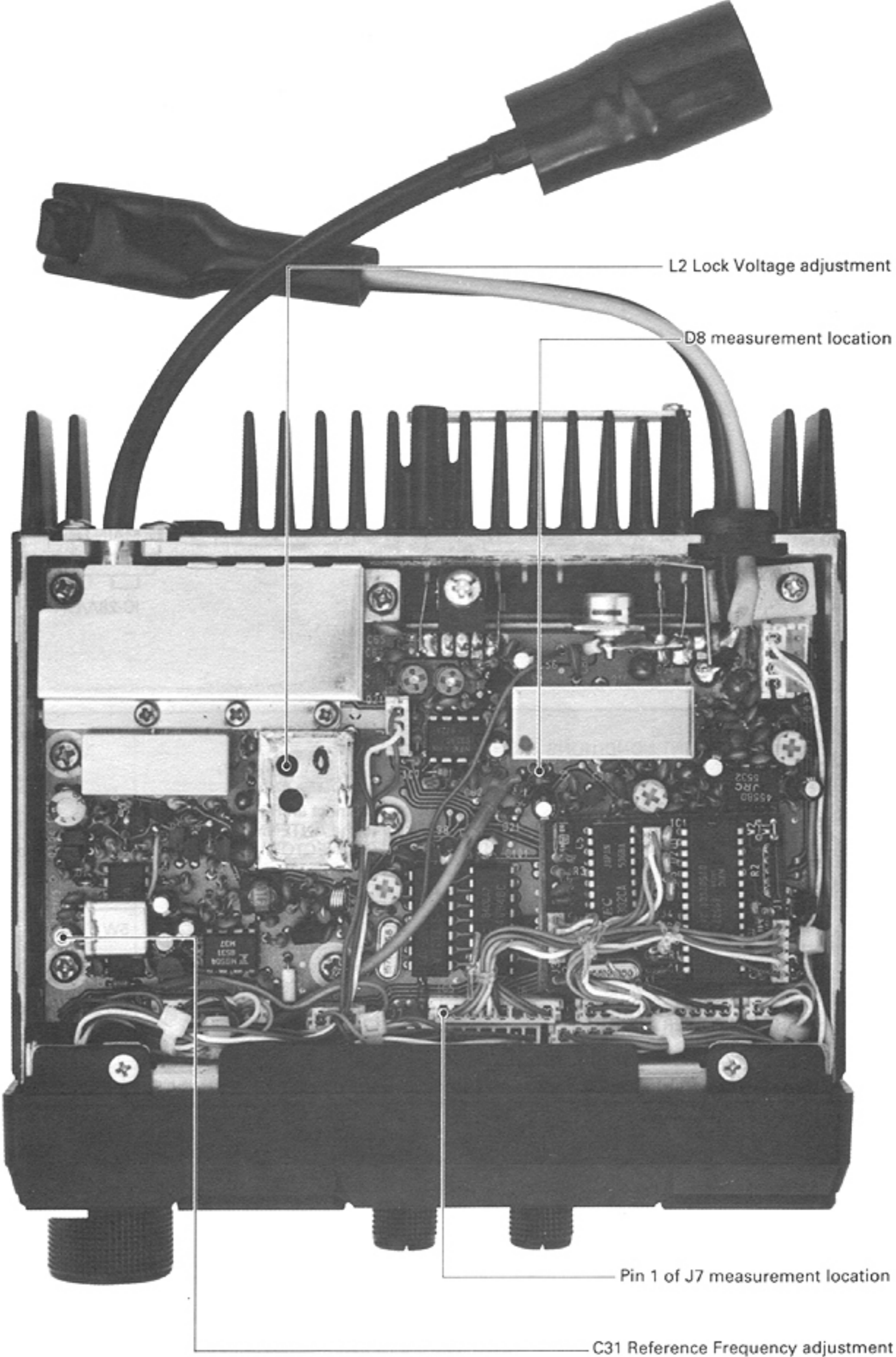
1. Detach the power cord and turn OFF the VOLUME CONTROL/POWER SWITCH before performing any work on the transceiver.
2. Do not short circuit components while making adjustments.
3. Use an insulated tuning tool for all adjustments. Be sure to use the correct tools and test equipment.
4. Follow the instructions exactly. If an indicated result is not obtained, repeat the instruction until the correct result is obtained.
5. Check the condition of connectors, solder joints and screws when adjustments are complete. Confirm that components do not touch each other.
6. Attach a 13.8 volt DC external power source to the power supply connector. Be sure to check the polarity.
7. Recheck for the suspected malfunction with the VOLUME CONTROL/POWER SWITCH ON.
8. Check the defective circuit. Measure the DC voltages of the collector, base and emitter of each transistor.

6 - 2 PLL ADJUSTMENT

NOTE: Adjustment requirements are generally the same for each IC-28A/E/H version. Variations are noted in brackets.

TEST INSTRUMENTS REQUIRED		MEASUREMENT CONNECTION LOCATION				
(1) VOLTAGE REGULATED POWER SUPPLY • Output voltage : 13.8V DC \pm 15% • Current capacity : 10A or more (2) VOLTMETER • Input impedance : 50k Ω /V DC or better (3) FREQUENCY COUNTER • Frequency minimum : 0.1 ~ 470MHz • Frequency accuracy : 1ppm or better • Sensitivity : 100mV or better						
ADJUSTMENT	ADJUSTMENT CONDITIONS	MEASUREMENT		VALUE	ADJUSTMENT POINT	
		UNIT	LOCATION		UNIT	ADJUST
LOCK VOLTAGE	1 • Frequency display: 146.010MHz (#01) 145.000MHz (#03, #04, #05) • Receive mode	MAIN	Connect a voltmeter to pin 1 of J7.	6.0V (#01) 5.5V (#03, #04, #05)	MAIN	L2
REFERENCE FREQUENCY	1 • Display frequency: 146.010MHz (#01) 145.000MHz (#03, #04, #05) • Receive mode	MAIN	Connect a frequency counter to the cathode of D8.	128.810MHz (#01) 127.800MHz (#03, #04, #05)	MAIN	C31

MAIN UNIT

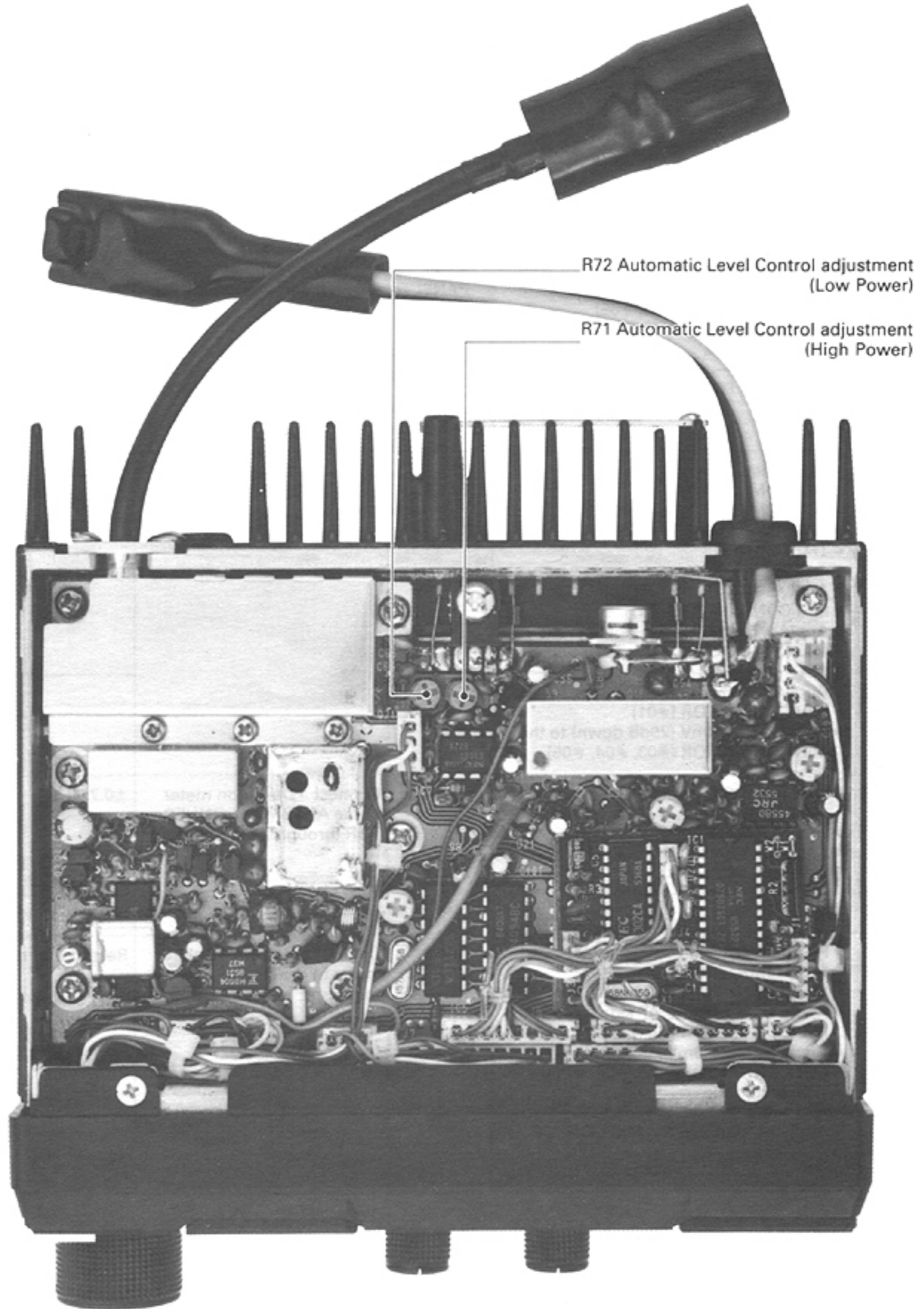


6 - 3 TRANSMITTER ADJUSTMENT



TEST INSTRUMENTS REQUIRED	MEASUREMENT CONNECTION LOCATION
<p>(1) VOLTAGE REGULATED POWER SUPPLY</p> <ul style="list-style-type: none"> ● Output voltage : 13.8V DC ±15% ● Current capacity : 10A or more <p>(2) RF POWER METER</p> <ul style="list-style-type: none"> ● Terminated type ● Minimum power rating : 150W ● Frequency minimum : 30MHz ● Input impedance : 50Ω ● SWR : 1:1.2 or better <p>(3) AMMETER</p> <ul style="list-style-type: none"> ● Input impedance : 50kΩ/V DC or better ● Measurement minimum : 100mA and 600mA <p>(4) DEVIATION METER</p> <ul style="list-style-type: none"> ● Frequency minimum : 30MHz ● Measuring range : 0 ~ ±5kHz ● De-emphasis : OFF <p>(5) AC MILLI-VOLTMETER</p> <ul style="list-style-type: none"> ● Measuring range : 5mV ~ 1V <p>(6) ATTENUATOR</p>	<p>Also connects to ANTENNA CONNECTOR</p> <p style="text-align: center;">IC-28A/E/H</p>

ADJUSTMENT	ADJUSTMENT CONDITIONS	MEASUREMENT		VALUE	ADJUSTMENT POINT	
		UNIT	LOCATION		UNIT	ADJUST
ALC (Automatic Level Control) Ⓐ HIGH POWER	1	REAR PANEL	Connect an RF power meter to the ANTENNA CONNECTOR.	27W 47W (IC-28H version)	MAIN	R71
	2					
Ⓑ LOW POWER	2			5W	MAIN	R72
VERIFY OUTPUT POWER AT BAND EDGES	1	REAR PANEL	Connect an RF power meter to the ANTENNA CONNECTOR.	More than 25W More than 45W (IC-28H version)		Verify
	2					
	2			4 ~ 6W		Verify

MAIN UNIT



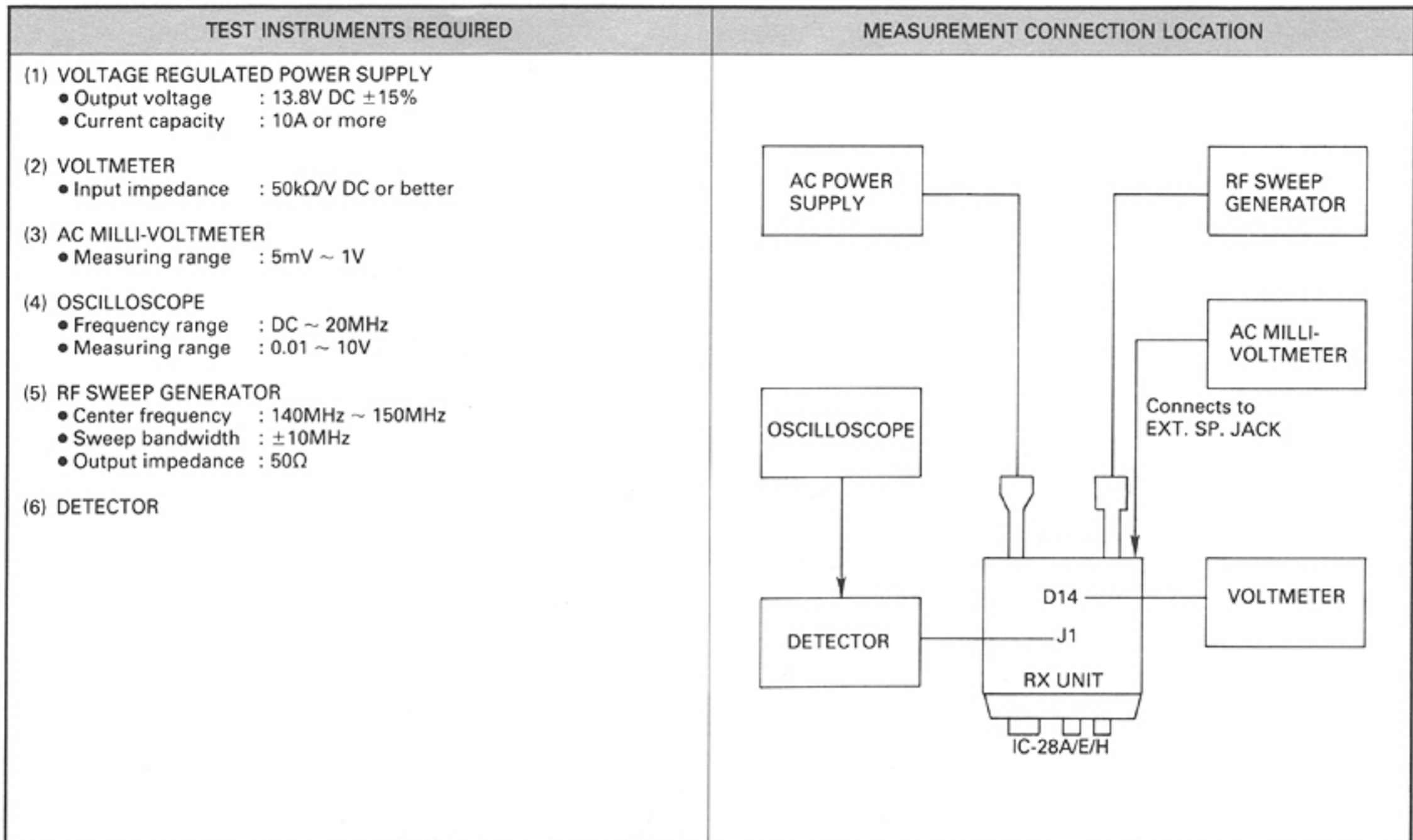
TRANSMITTER ADJUSTMENT

ADJUSTMENT	ADJUSTMENT CONDITIONS	MEASUREMENT		VALUE	ADJUSTMENT POINT	
		UNIT	LOCATION		UNIT	ADJUST
RF LEVEL INDICATOR	1 <ul style="list-style-type: none"> • Frequency display: 146.010 (#01) 145.000 (#03, #04, #05) • HIGH/LOW POWER: HIGH • Transmit mode 	DISPLAY	 <p>RF LEVEL INDICATOR is at full scale.</p>	Full scale		Verify
	2 <ul style="list-style-type: none"> • HIGH/LOW POWER: LOW 		 <p>RF LEVEL INDICATOR is at S5.</p>	S5		Verify
TRANSMIT CURRENT	1 <ul style="list-style-type: none"> • Frequency display: 146.010MHz (#01) 145.000MHz (#03, #04, #05) • HIGH/LOW POWER: HIGH • Transmit mode 	REAR PANEL	Connect an Ammeter between the Power supply and the transceiver.	Less than 5.8A Less than 9.5A (IC-28H version)		Verify
	2 <ul style="list-style-type: none"> • HIGH/LOW POWER: LOW 			Less than 3.0A Less than 3.5A (IC-28H version)		Verify
DEVIATION ⓐ MAXIMUM	1 <ul style="list-style-type: none"> • Frequency display: 146.010MHz (#01) 145.000MHz (#03, #04, #05) • HIGH/LOW POWER: HIGH • Transmit mode 	REAR PANEL	Connect a Deviation meter to the ANTENNA CONNECTOR through an attenuator.	±4.8kHz	MAIN	R100
	<ul style="list-style-type: none"> • Apply a 1kHz 65mV AF signal to the MIC CONNECTOR (#01) • Apply a 1kHz 20mV AF signal to the MIC CONNECTOR (#03, #04, #05) 					
ⓑ 70%	2 <ul style="list-style-type: none"> • Apply 1kHz 6.5mV (20dB down) to the MIC CONNECTOR (#01) • Apply 1kHz 2.0mV (20dB down) to the MIC CONNECTOR (#03, #04, #05) 					
TONE SETTING (#01 only)	1 <ul style="list-style-type: none"> • Frequency display: 146.010MHz • Tone number: 38 • Apply no signal to the MIC CONNECTOR • Transmit mode 	REAR PANEL	Connect a Deviation meter to the ANTENNA CONNECTOR through an attenuator.	±0.75kHz	MAIN	R48
	2 <ul style="list-style-type: none"> • Tone number: 01 			±0.5 ~ ±1kHz		Verify
S/N RATIO	1 <ul style="list-style-type: none"> • Frequency display: 146.010MHz (#01) 145.000MHz (#03, #04, #05) • Apply a 1kHz 6.5mV AF signal to the MIC CONNECTOR (#01) • Apply a 1kHz 2.0mV AF signal to the MIC CONNECTOR (#03, #04, #05) • Transmit mode 	REAR PANEL	Connect an AC Milli-voltmeter to the Deviation meter.	Record the reading.		
	2 <ul style="list-style-type: none"> • Apply no signal to the MIC CONNECTOR 			Record the reading.		
NOTE: Verify that the recorded ratio is greater than 40dB (See steps 1 and 2).						

MAIN UNIT

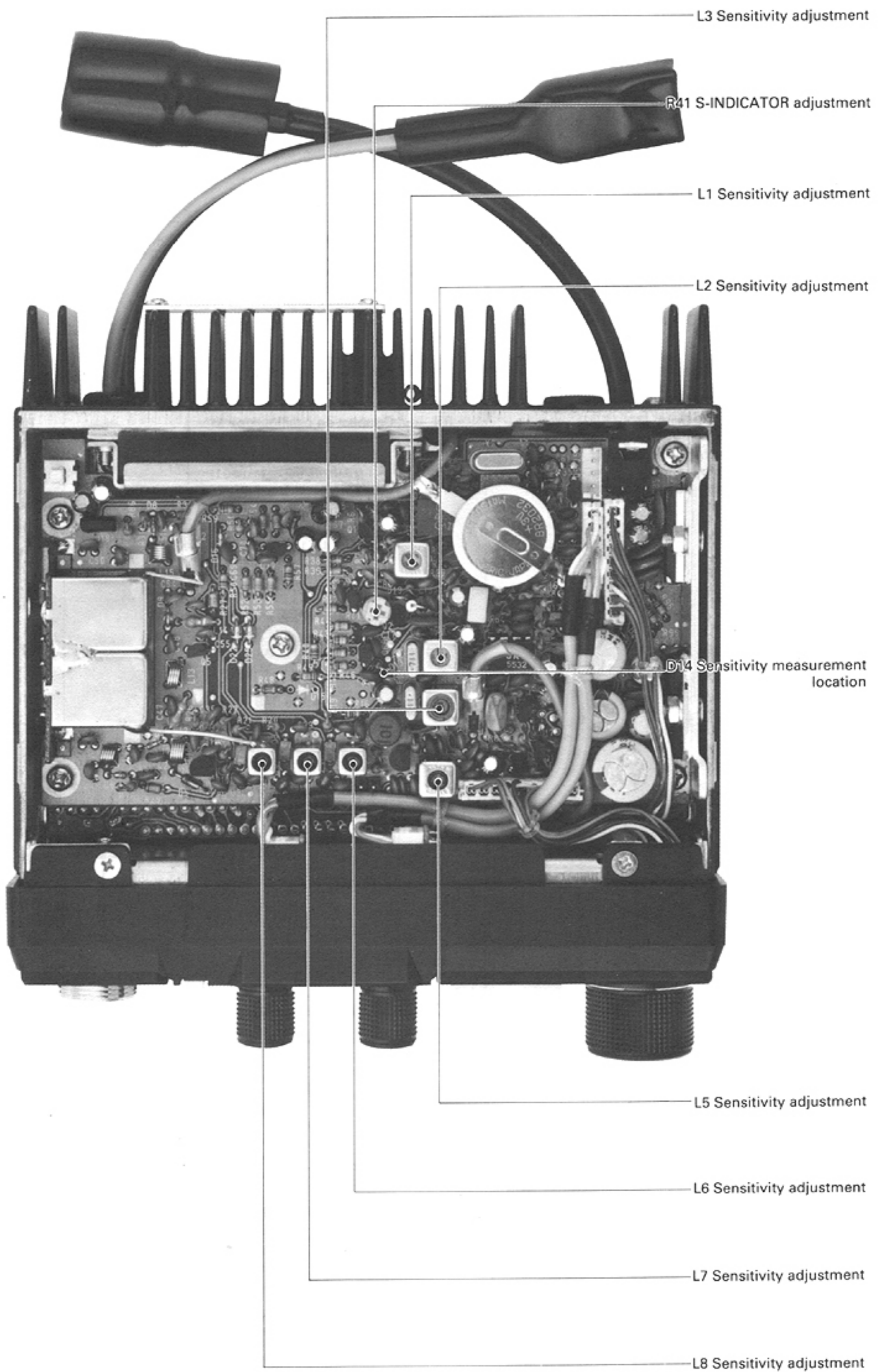


6 - 4 RECEIVER ADJUSTMENT

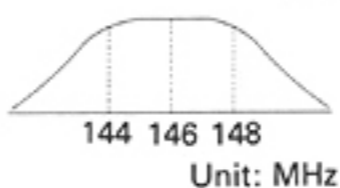
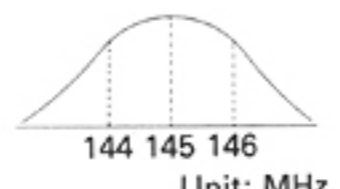
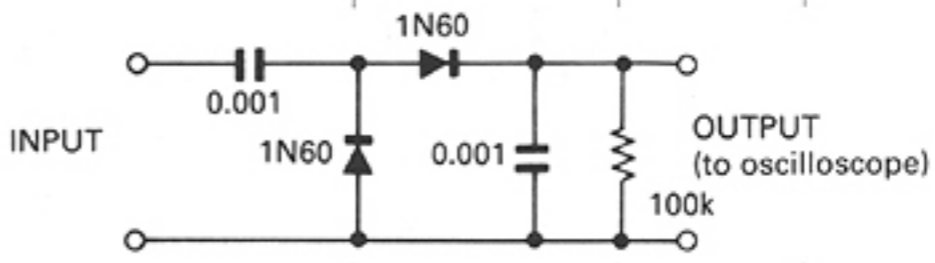


ADJUSTMENT	ADJUSTMENT CONDITIONS	MEASUREMENT		VALUE	ADJUSTMENT POINT	
		UNIT	LOCATION		UNIT	ADJUST
SENSITIVITY	<p>1</p> <ul style="list-style-type: none"> • Frequency display: 146.010MHz (#01) 145.000MHz (#03, #04, #05) • Turn R41 completely CW • Apply RF signal to the ANTENNA CONNECTOR Level : 1μV (-107dBm) Deviation : \pm3.5kHz Modulation : 1kHz <p>NOTE: Verify that the sensitivity in all bands is below 0.18μV (-122dBm) for 12dB SINAD.</p>	RX	Connect a voltmeter to the cathode of D14.	Maximum value	RX	L7, L6 L5, L3 L2, L1
S-INDICATOR	<p>1</p> <ul style="list-style-type: none"> • Frequency display: 146.010MHz (#01) 145.000MHz (#03, #04, #05) • Apply RF signal to the ANTENNA CONNECTOR Level : 1μV (-107dBm) Deviation : \pm3.5kHz Modulation : 1kHz 	DISPLAY	<p>S-INDICATOR is at S3.</p>	S3	RX	R41
	<p>2</p> <ul style="list-style-type: none"> • Apply RF signal to the ANTENNA CONNECTOR Level : 5.0μV (-93dBm) Deviation : \pm3.5kHz Modulation : 1kHz 		<p>S-INDICATOR is at full scale.</p>	Full scale		Verify

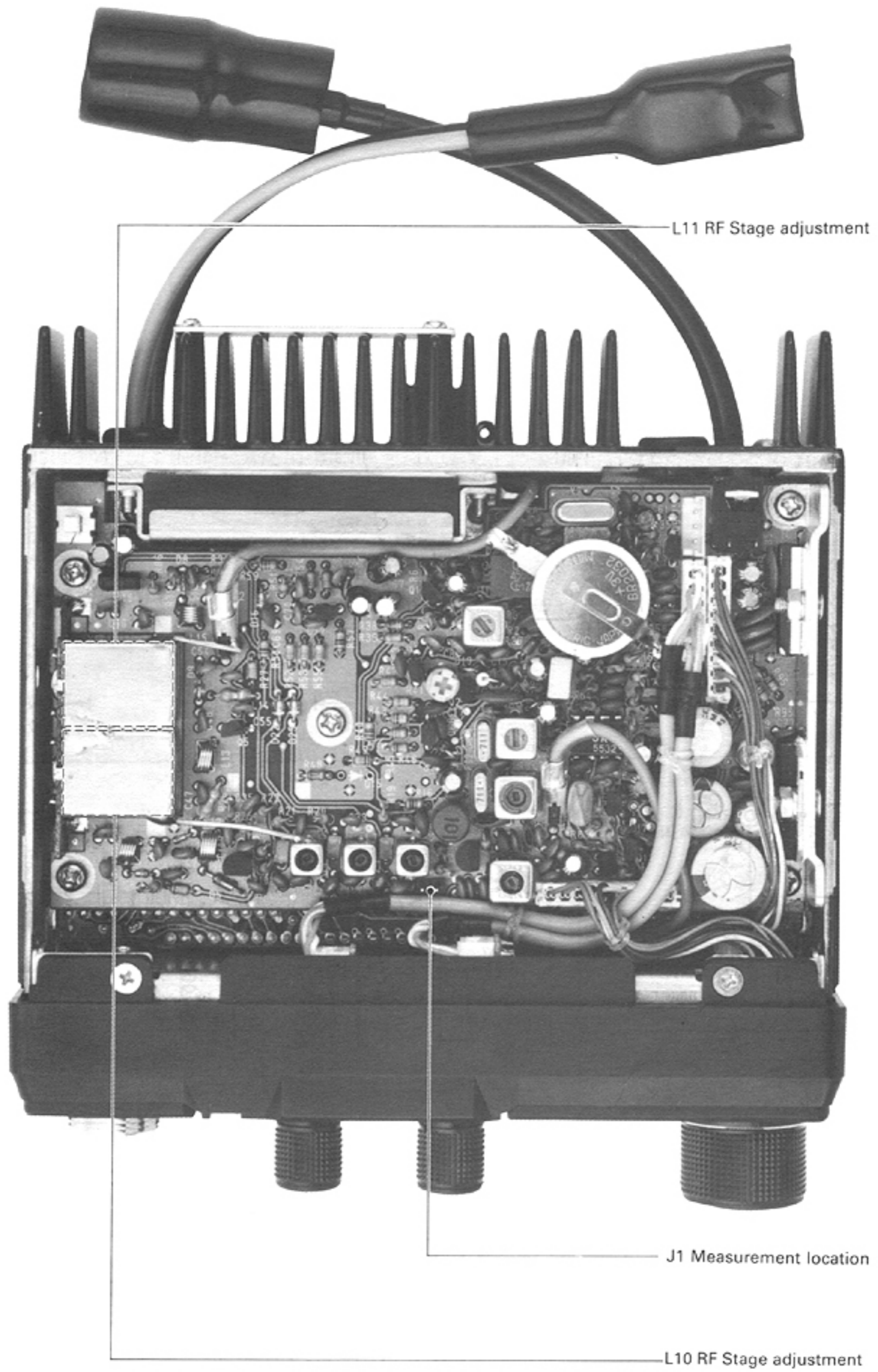
RX UNIT



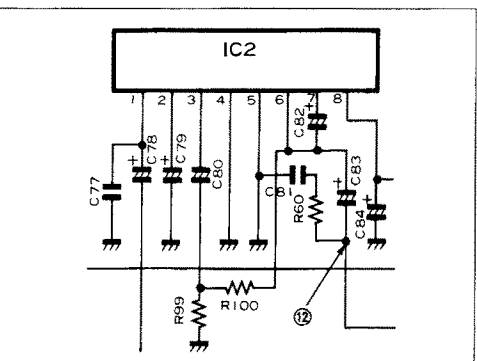
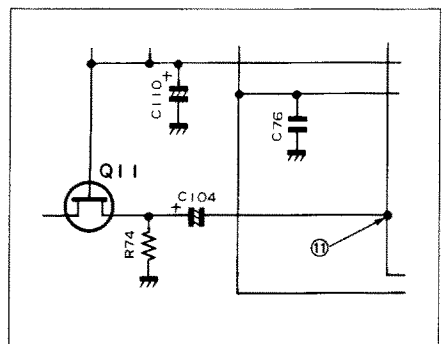
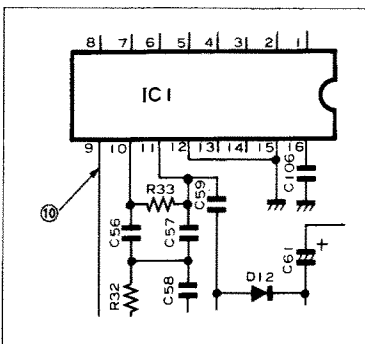
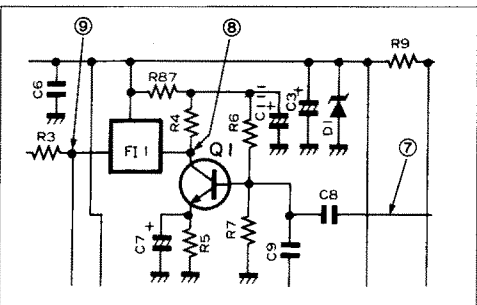
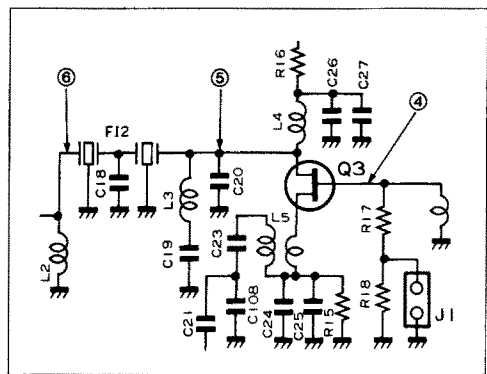
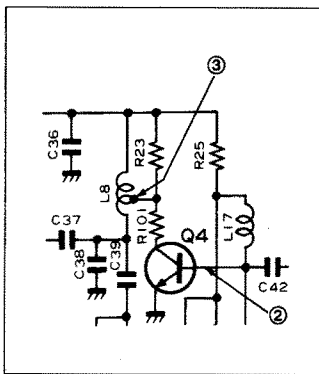
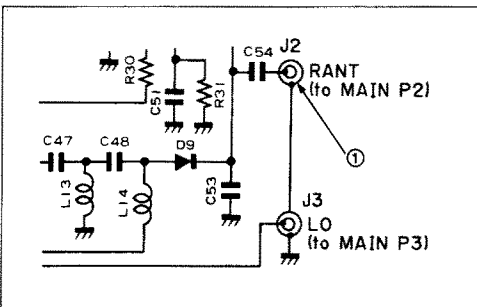
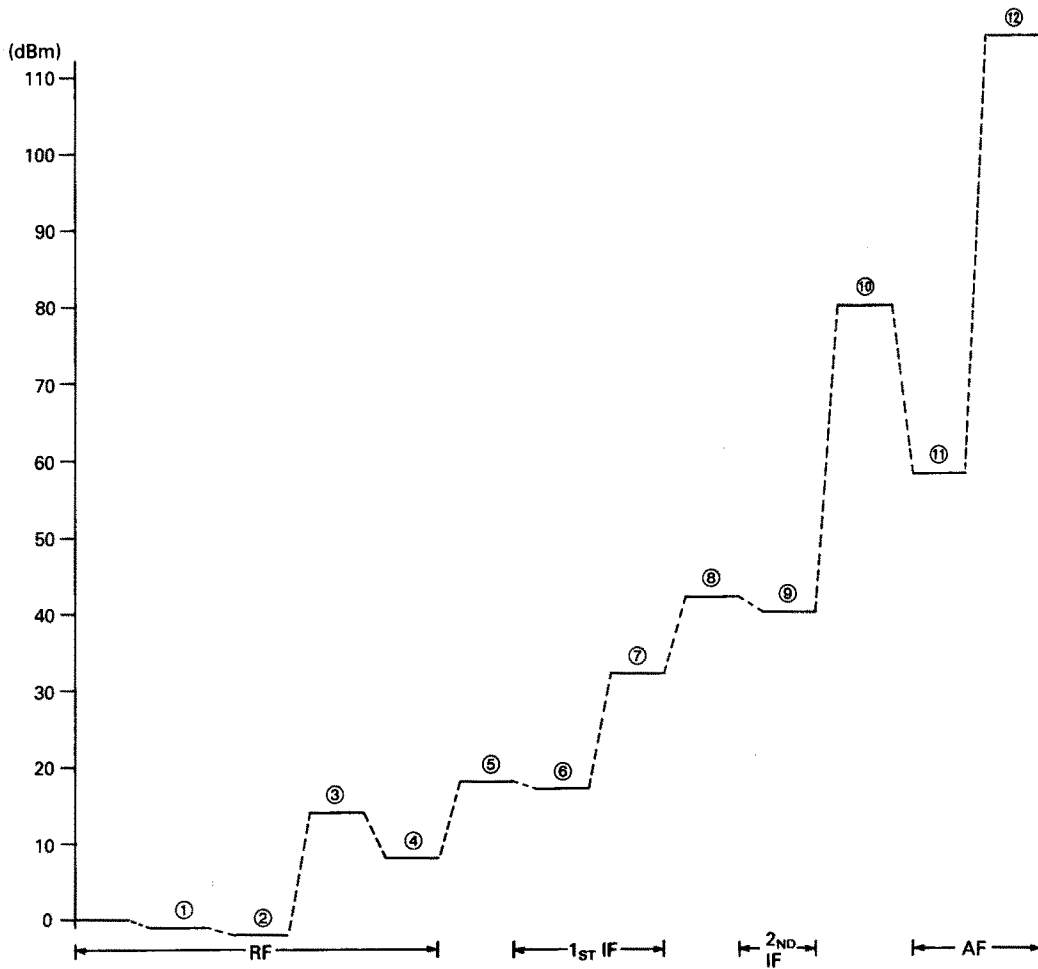
RECEIVER ADJUSTMENT

ADJUSTMENT	ADJUSTMENT CONDITIONS	MEASUREMENT		VALUE	ADJUSTMENT POINT	
		UNIT	LOCATION		UNIT	ADJUST
SQUELCH	1 <ul style="list-style-type: none"> Apply RF signal to ANTENNA CONNECTOR Level : 0.11μV (-126dBm) Deviation : \pm3.5kHz Modulation : 1kHz Adjust SQUELCH CONTROL to threshold point 			SQUELCH opens		Verify
	2 <ul style="list-style-type: none"> Apply RF signal to the ANTENNA CONNECTOR Level : 0.5μV (-113dBm) Deviation : \pm3.5kHz Modulation : 1kHz Turn SQUELCH CONTROL to maximum CW 			SQUELCH opens		Verify
AF OUTPUT POWER	1 <ul style="list-style-type: none"> Apply RF signal to the ANTENNA CONNECTOR Level : 10μV (-87dBm) Deviation : \pm3.5kHz Modulation : 1kHz Turn AF VOLUME CONTROL to maximum CW 	REAR PANEL	Connect an AC milli-voltmeter to the transceiver EXTERNAL SPEAKER JACK using an 8 Ω load.	More than 4.4V at 10% distortion.		Verify
RF STAGE	NOTE: The Bandpass Filter unit in the RF stage has been thoroughly adjusted prior to leaving the factory. The following should be regarded as reference material.					
1	<ul style="list-style-type: none"> Unplug P2 from J3 Apply an RF sweep generator to the ANTENNA CONNECTOR Frequency range: 140MHz ~ 150MHz 	RX	Connect an oscilloscope to J1 through the detector. (#01)  144 146 148 Unit: MHz (#03, #04, #05)  144 145 146 Unit: MHz Detector Circuit characteristics: 		BPF	L10, L11
						RX

RX UNIT



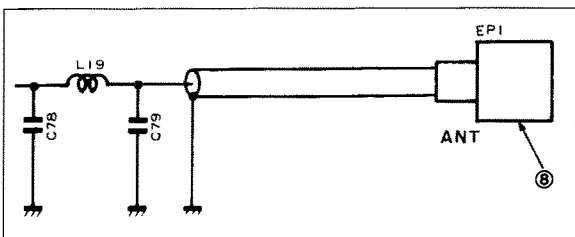
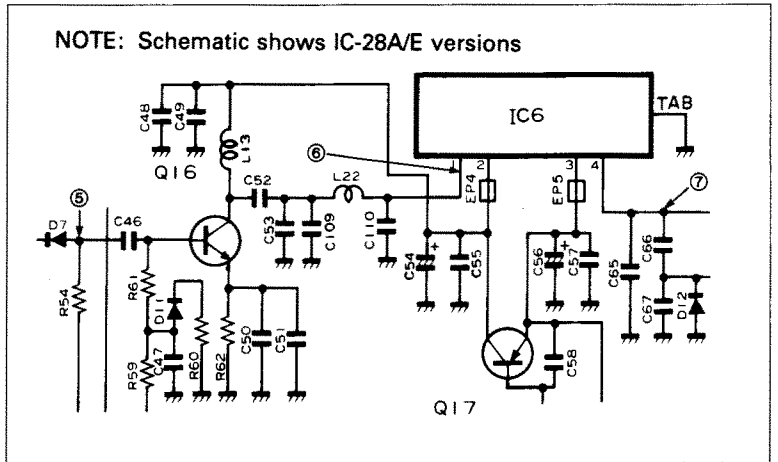
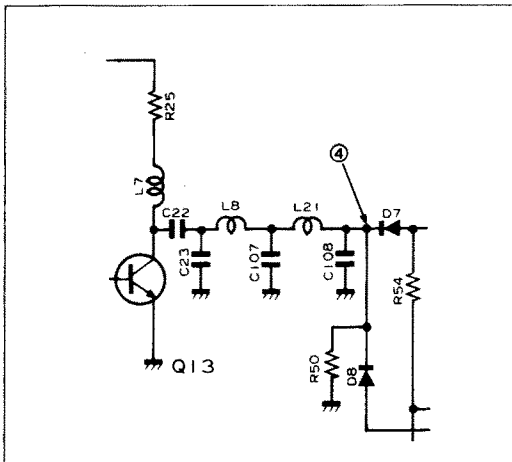
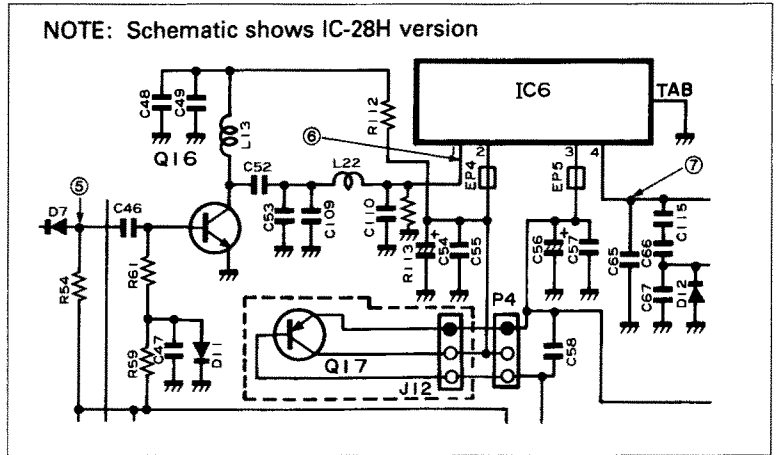
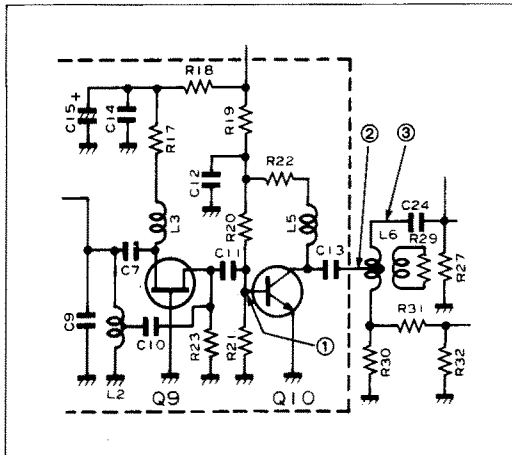
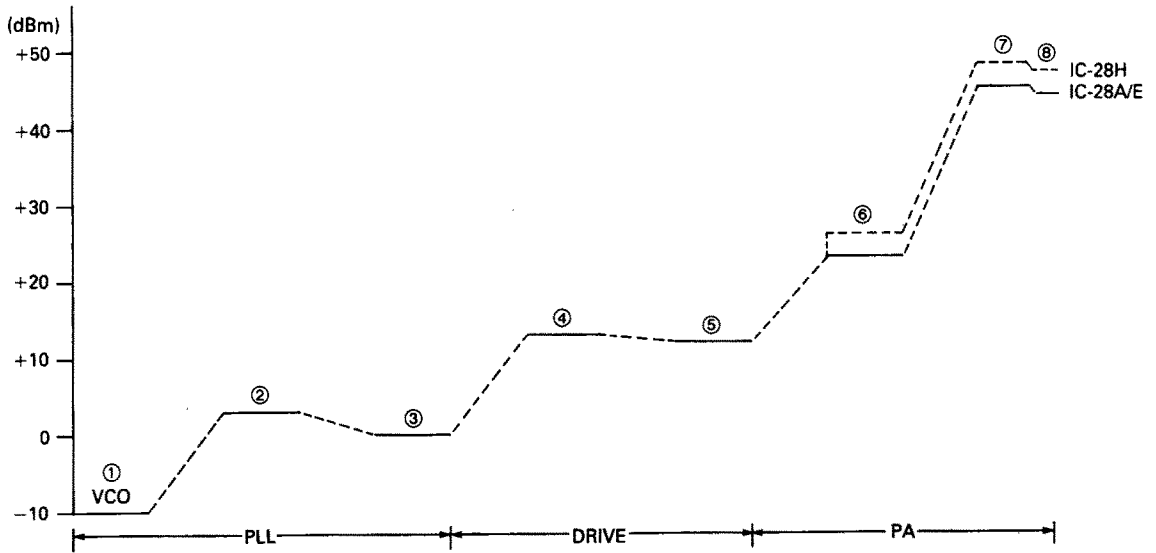
6 - 5 RX LEVEL DIAGRAM



NOTE 1: For an accurate measure of the above levels, ensure that the impedance of your test equipment matches the impedance of the various test points.

NOTE 2: The above levels are approximate to within ± 6 dB.

6 - 6 TX LEVEL DIAGRAM

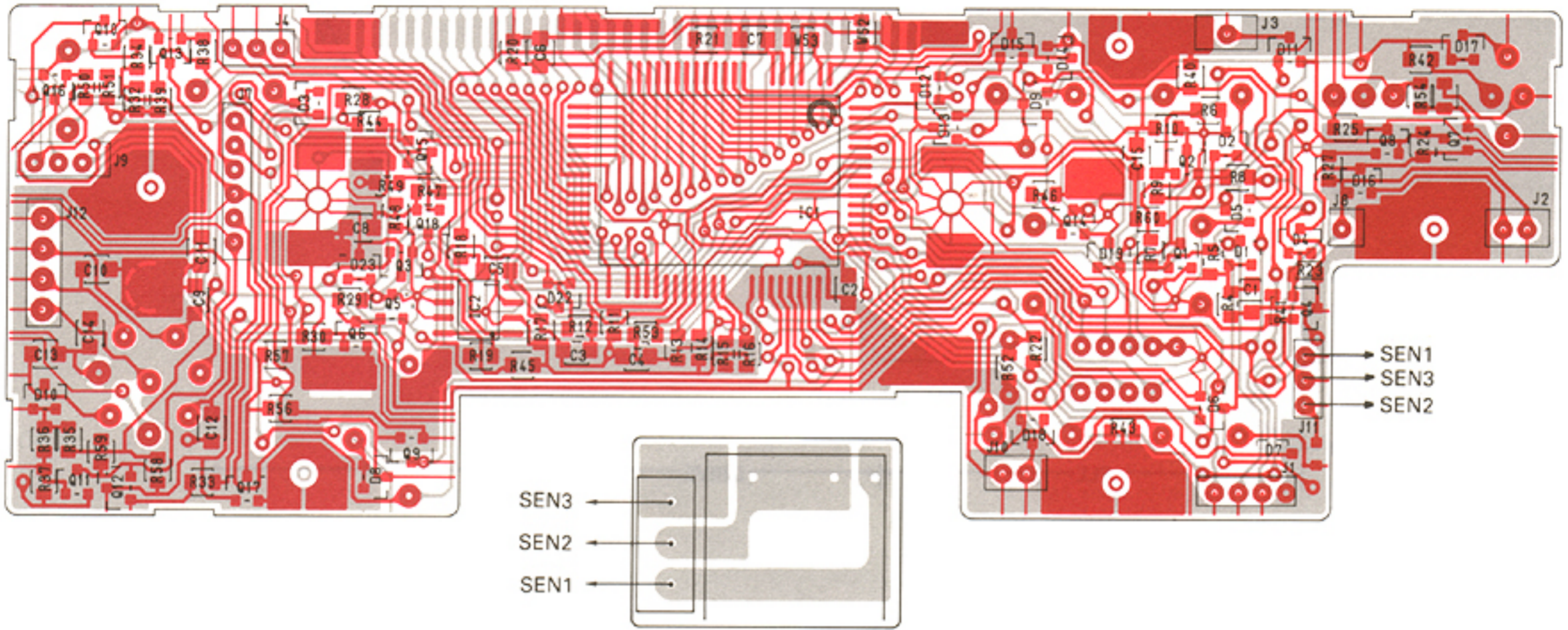


NOTE 1: For an accurate measure of the above levels, ensure that the impedance of your test equipment matches the impedance of the various test points.

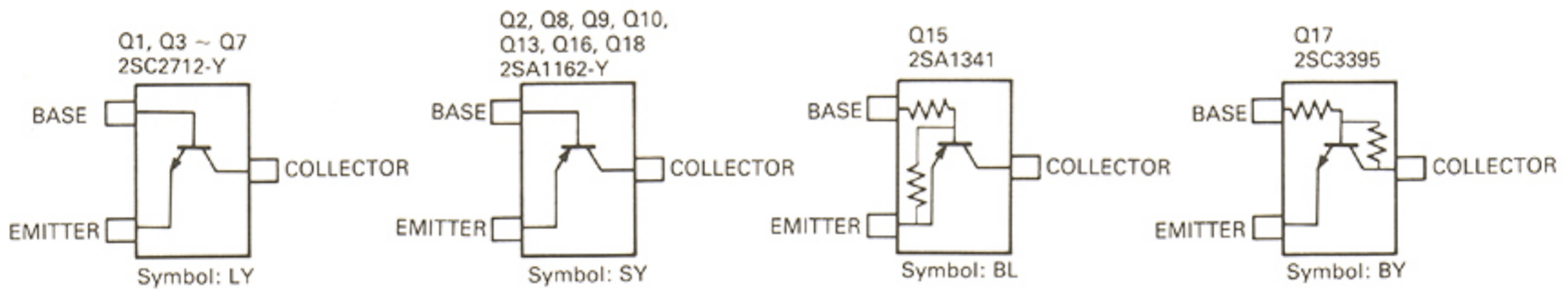
NOTE 2: The above levels are approximate to within ± 3 dB.

SECTION 7 BOARD LAYOUTS

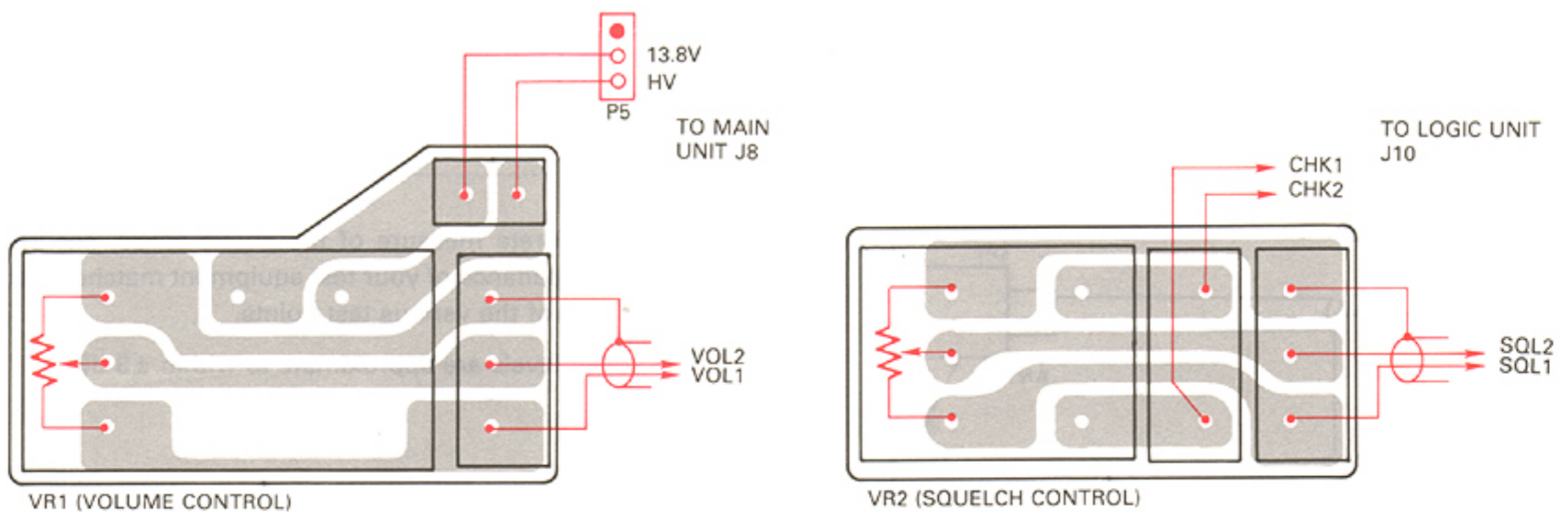
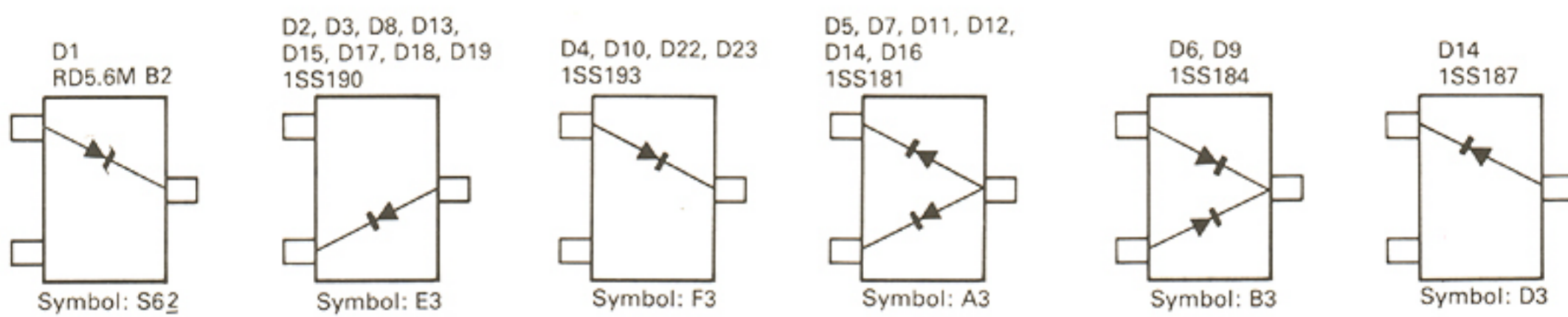
7 - 1 EF UNIT



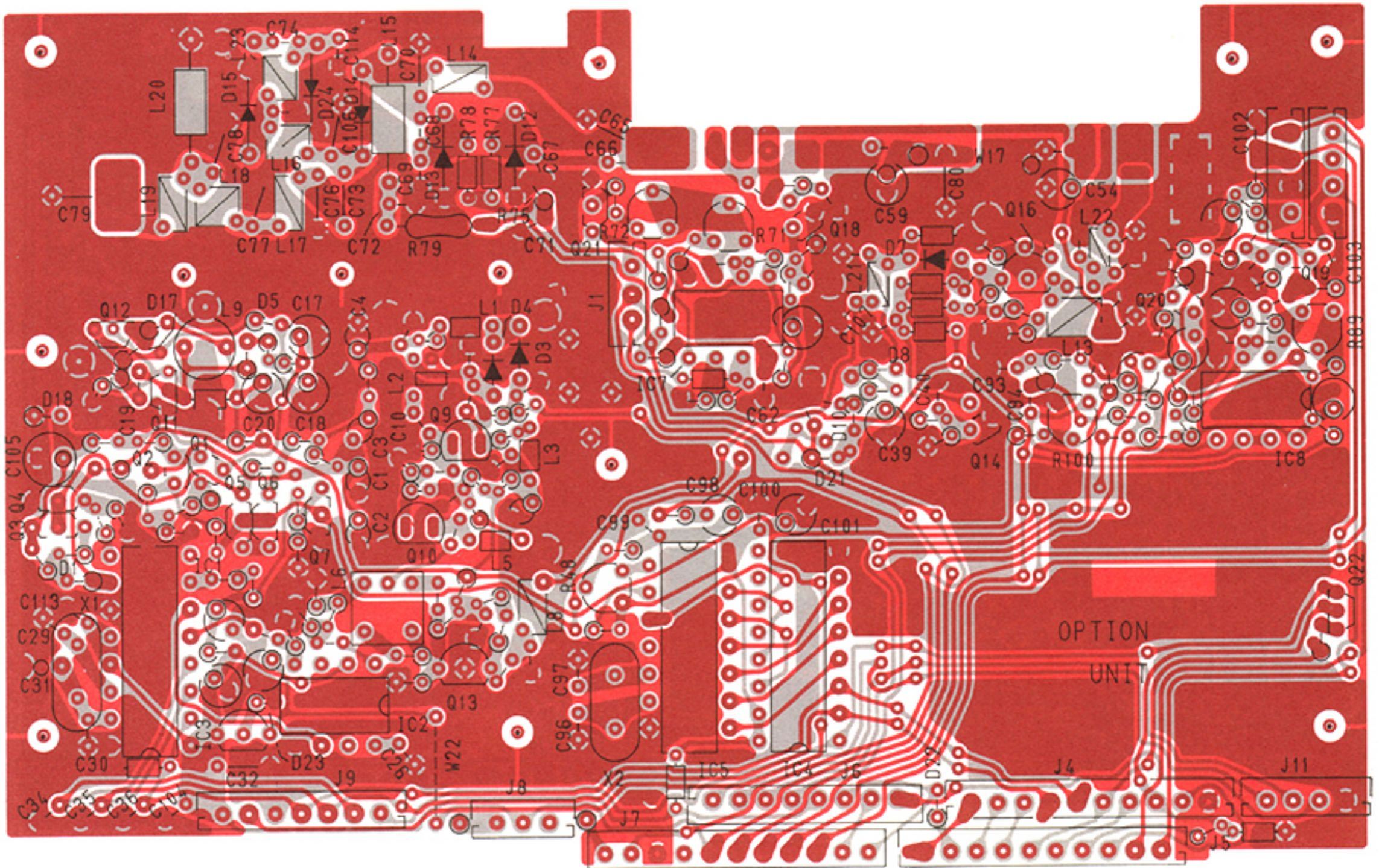
TRANSISTORS



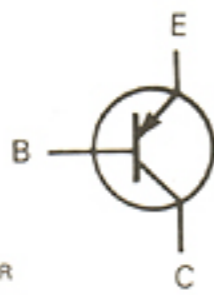
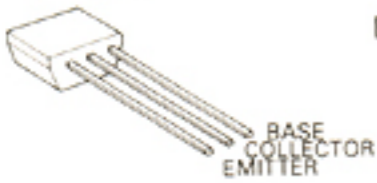
DIODES



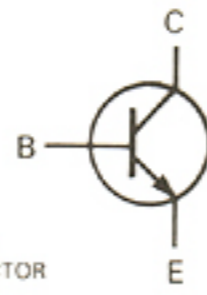
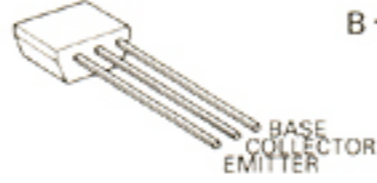
7 - 2 MAIN UNIT (IC-28A/E VERSIONS)



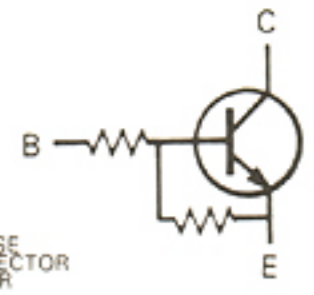
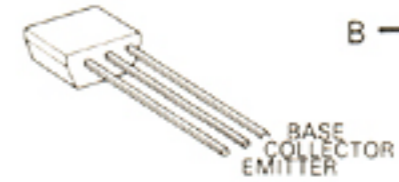
Q1, Q3, Q12, Q22
2SA1048



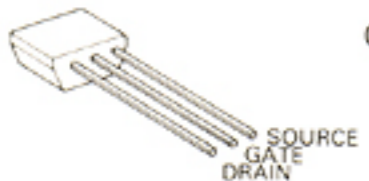
Q4, Q7, Q11, Q14,
Q18, Q19
2SC2458



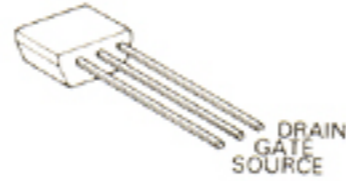
Q21
2SC3399



Q2, Q5, Q6
2SK184Y



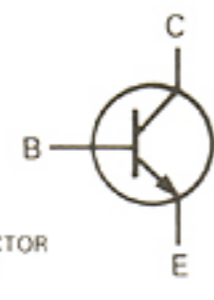
Q20
2SJ105



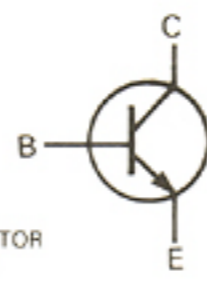
Q9
2SK125



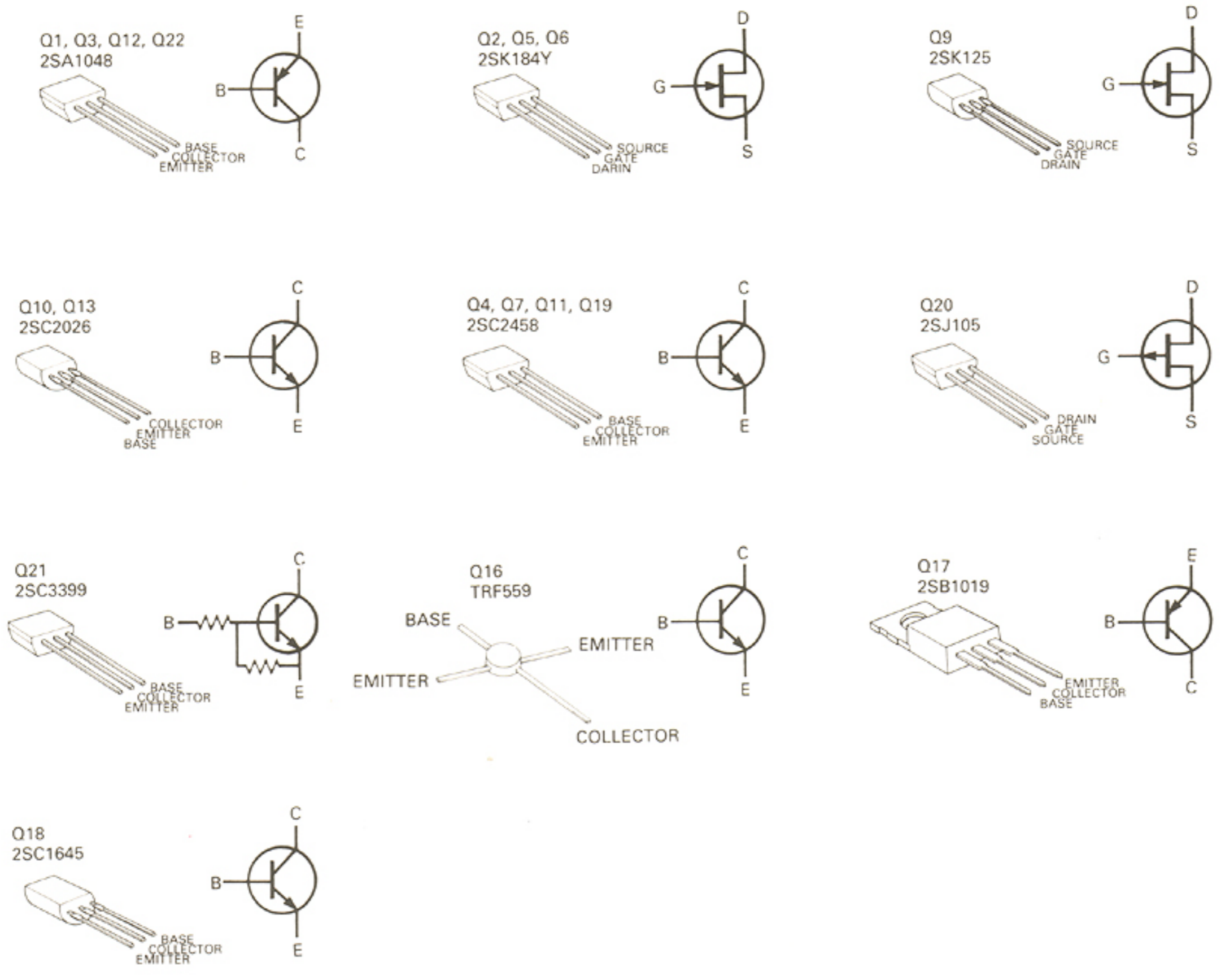
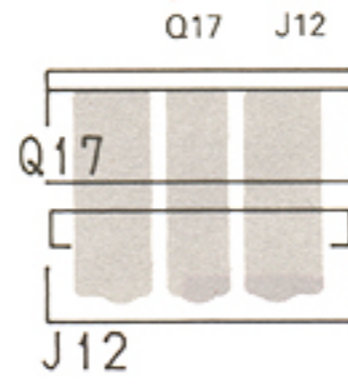
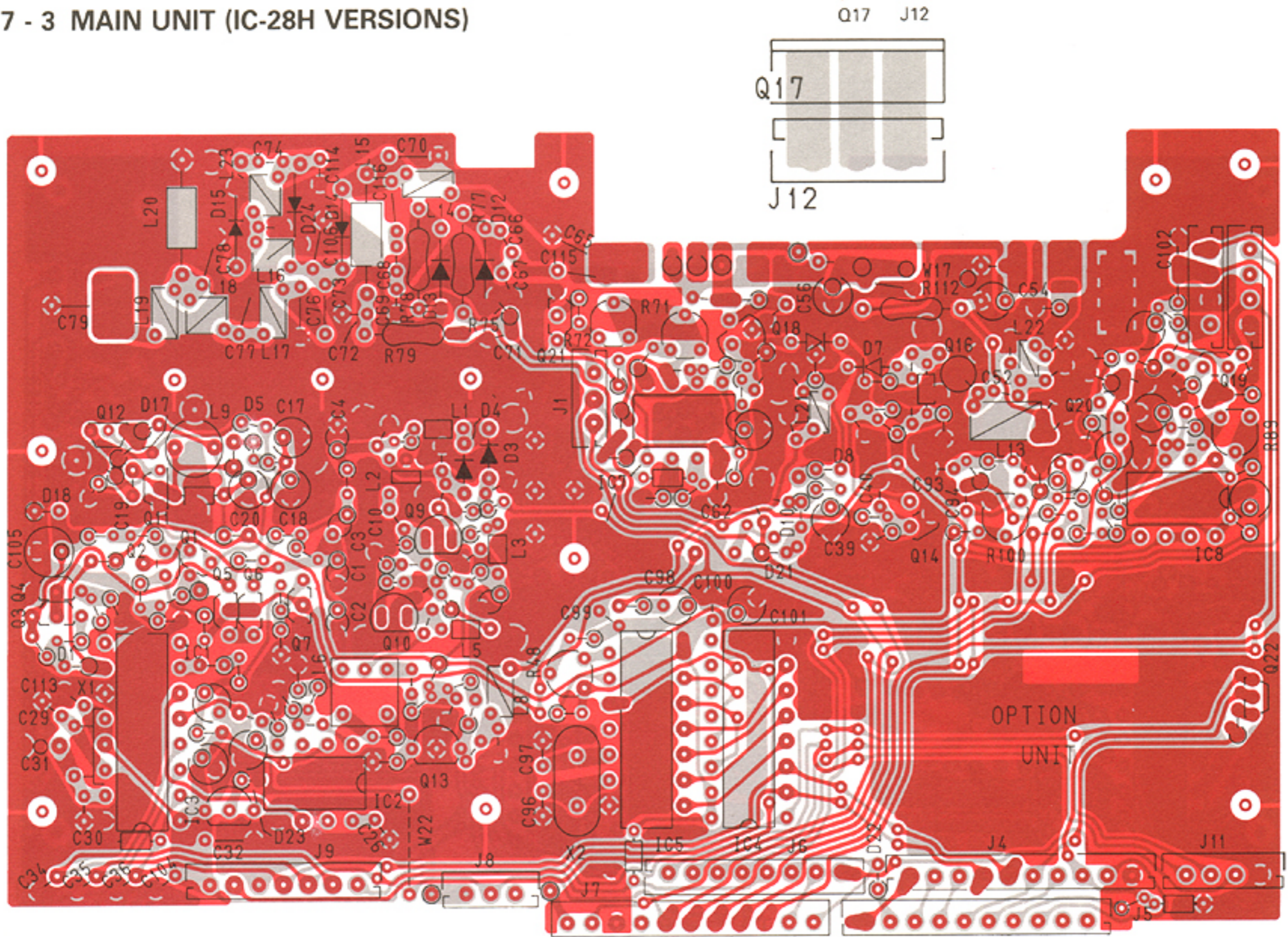
Q10, Q13
2SC2026



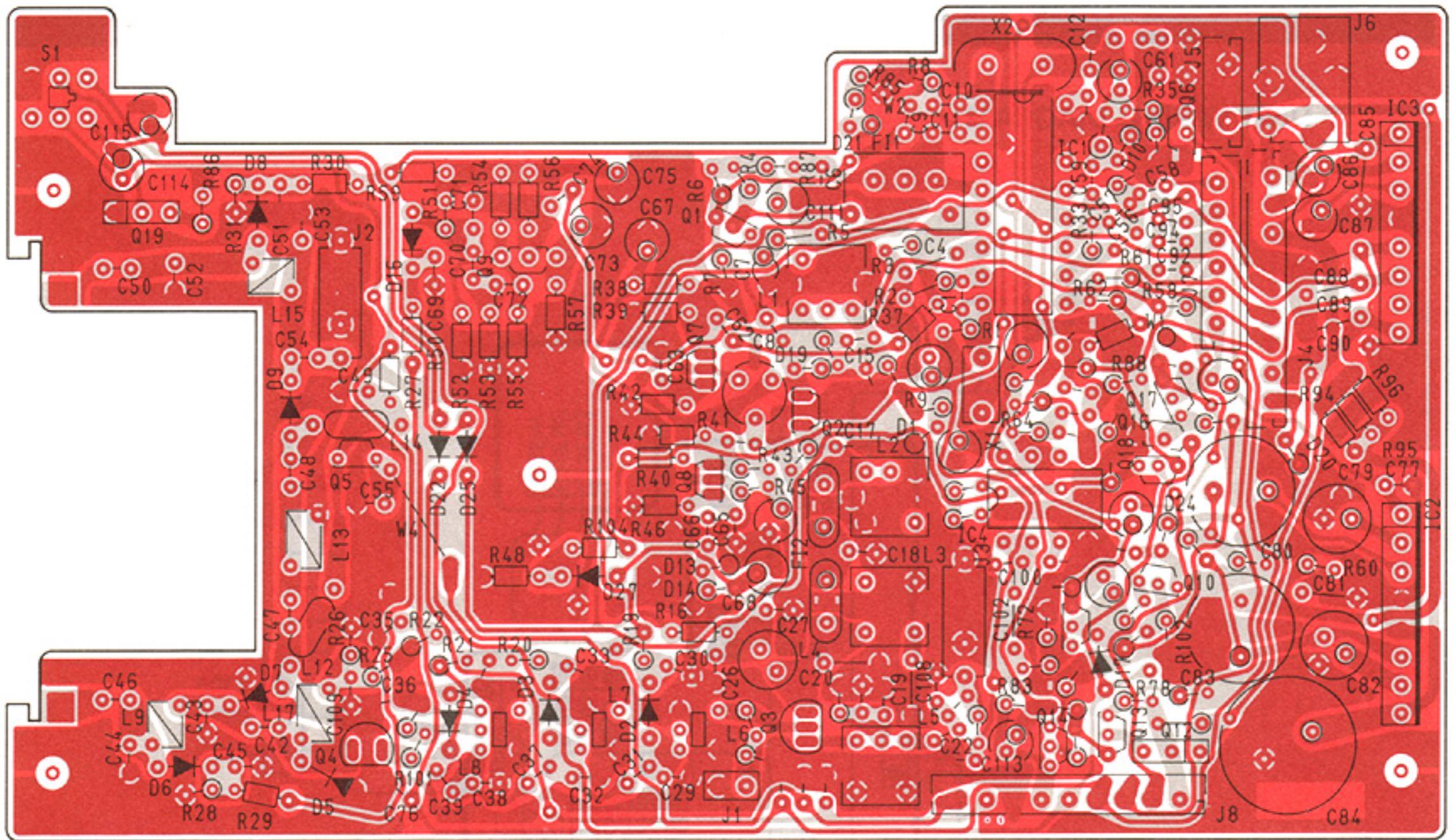
Q16
2SC2407



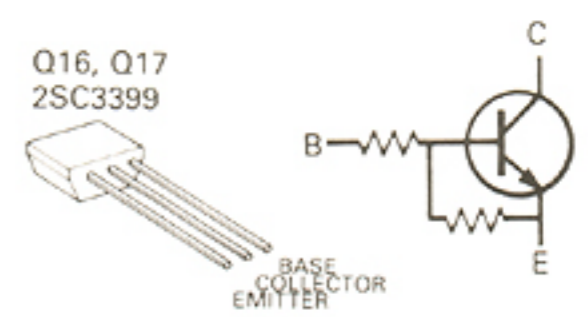
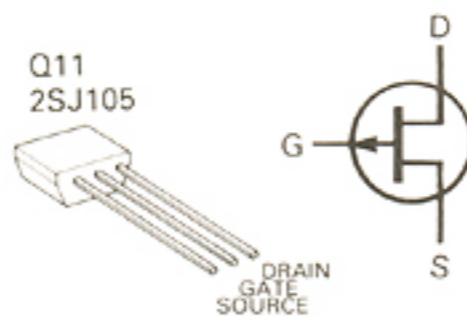
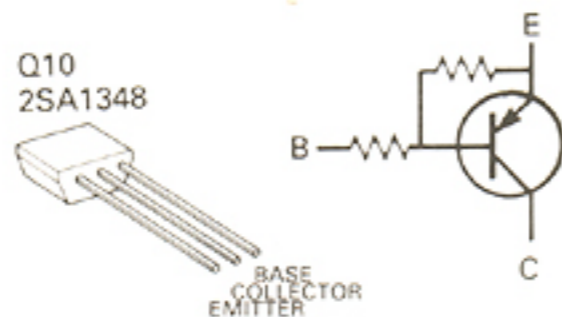
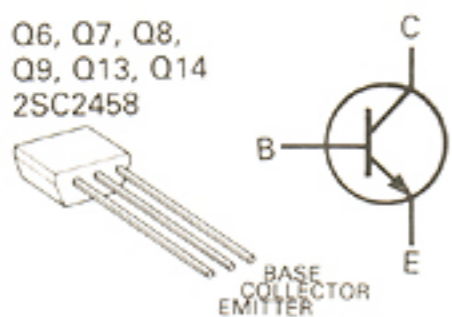
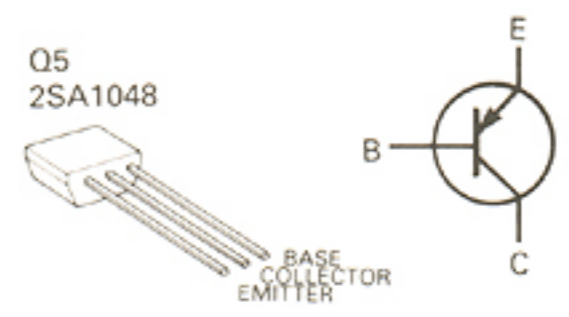
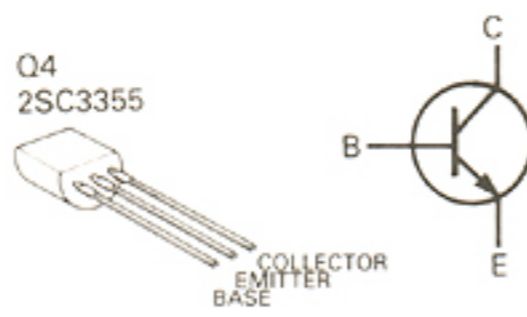
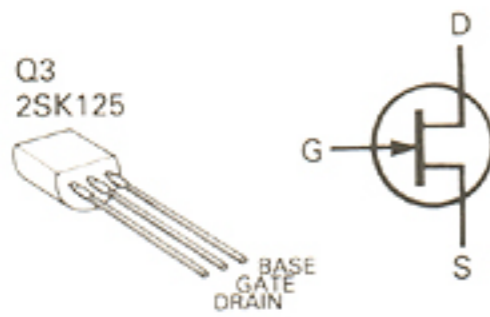
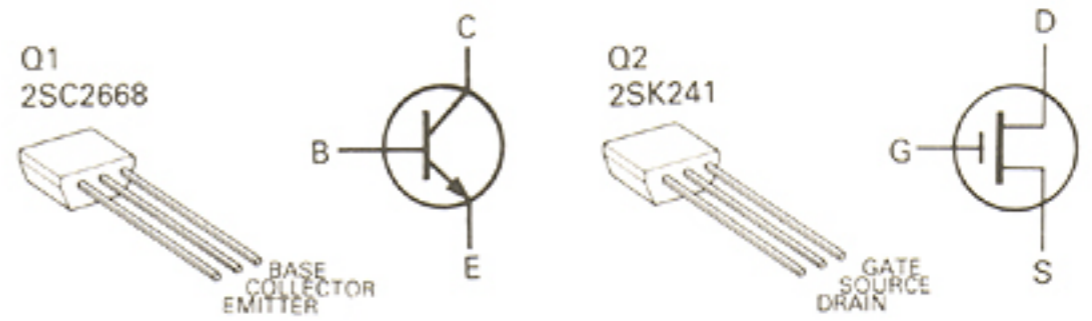
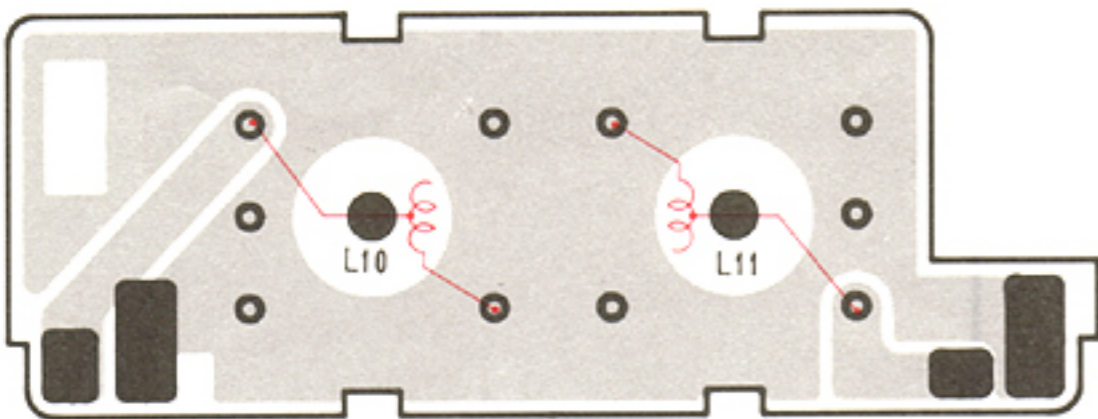
7 - 3 MAIN UNIT (IC-28H VERSIONS)



7 - 4 RX UNIT

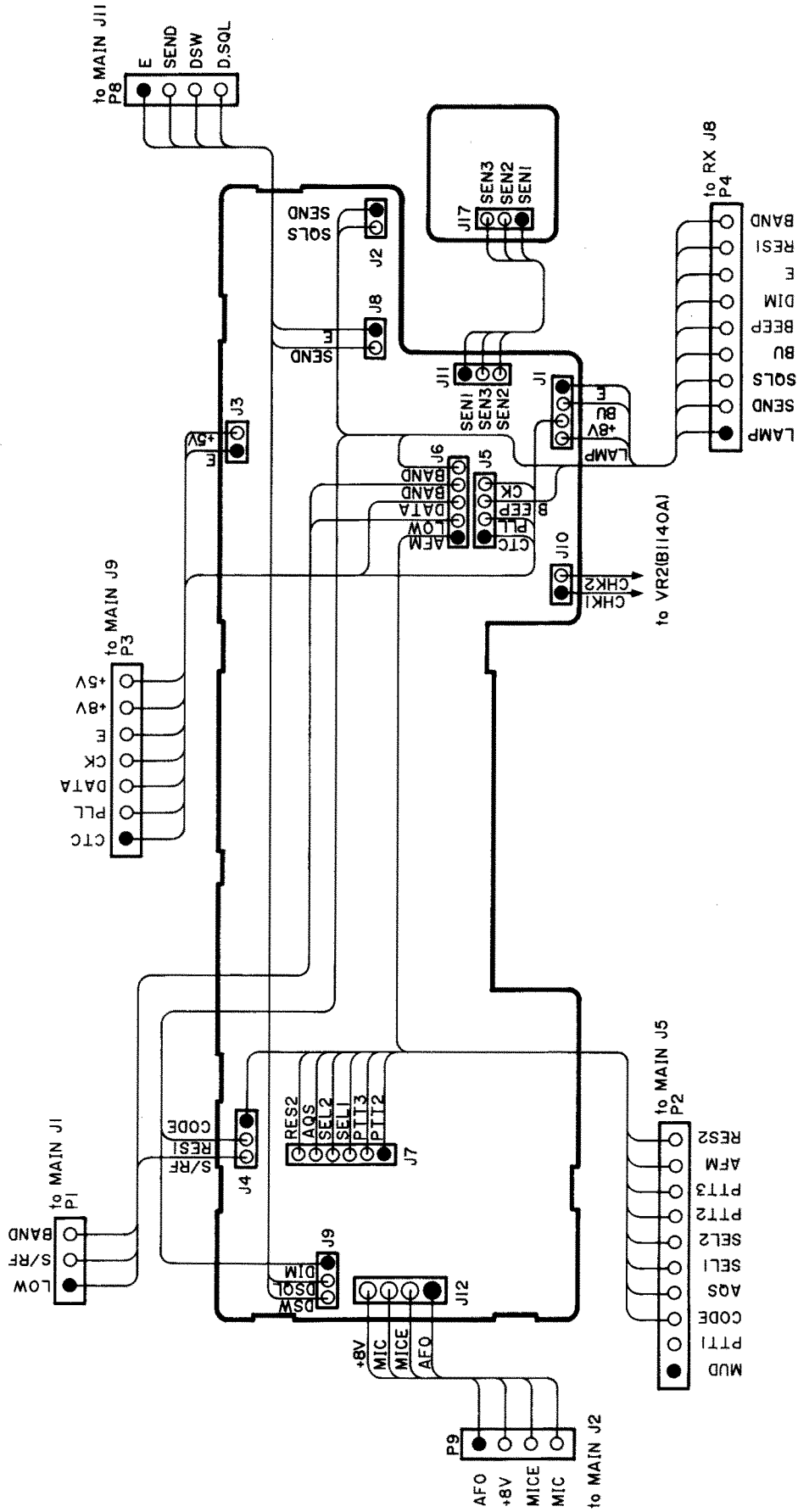


BANDPASS FILTER

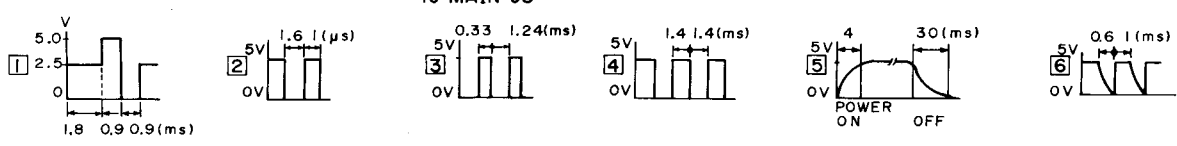
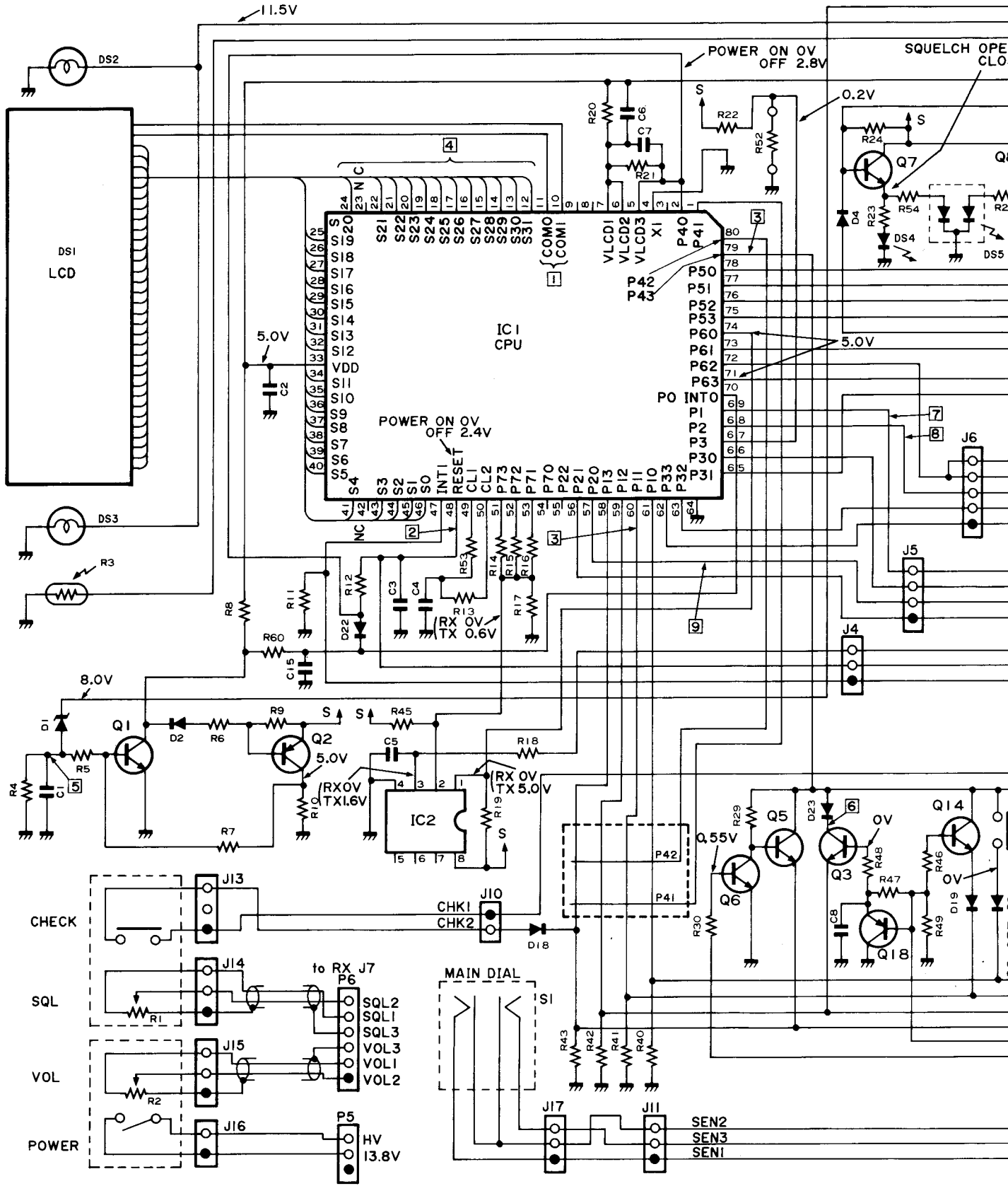


SECTION 8 VOLTAGE/CIRCUIT DIAGRAMS

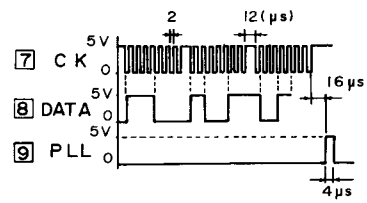
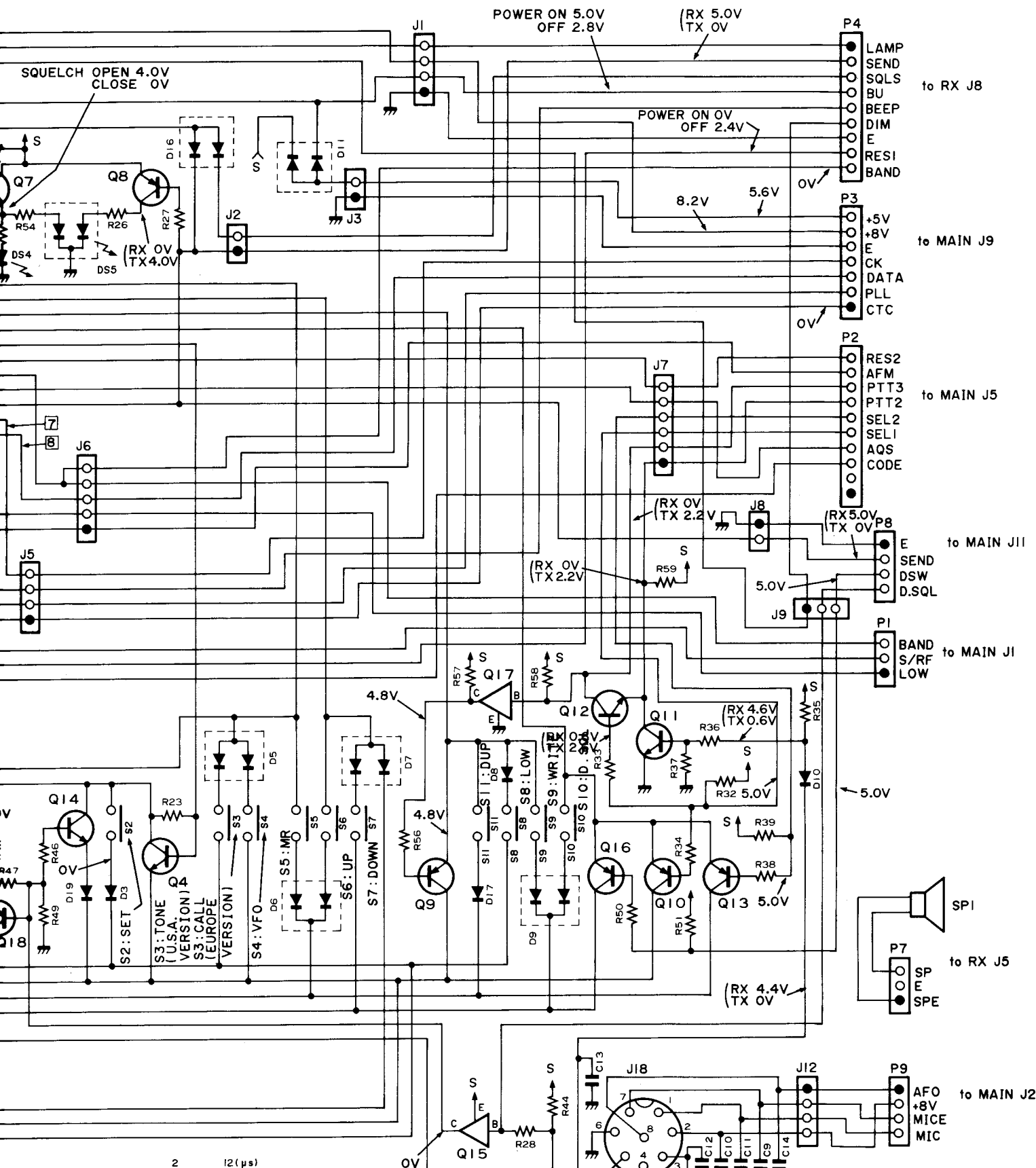
8 - 1 EF UNIT WIRING DIAGRAM



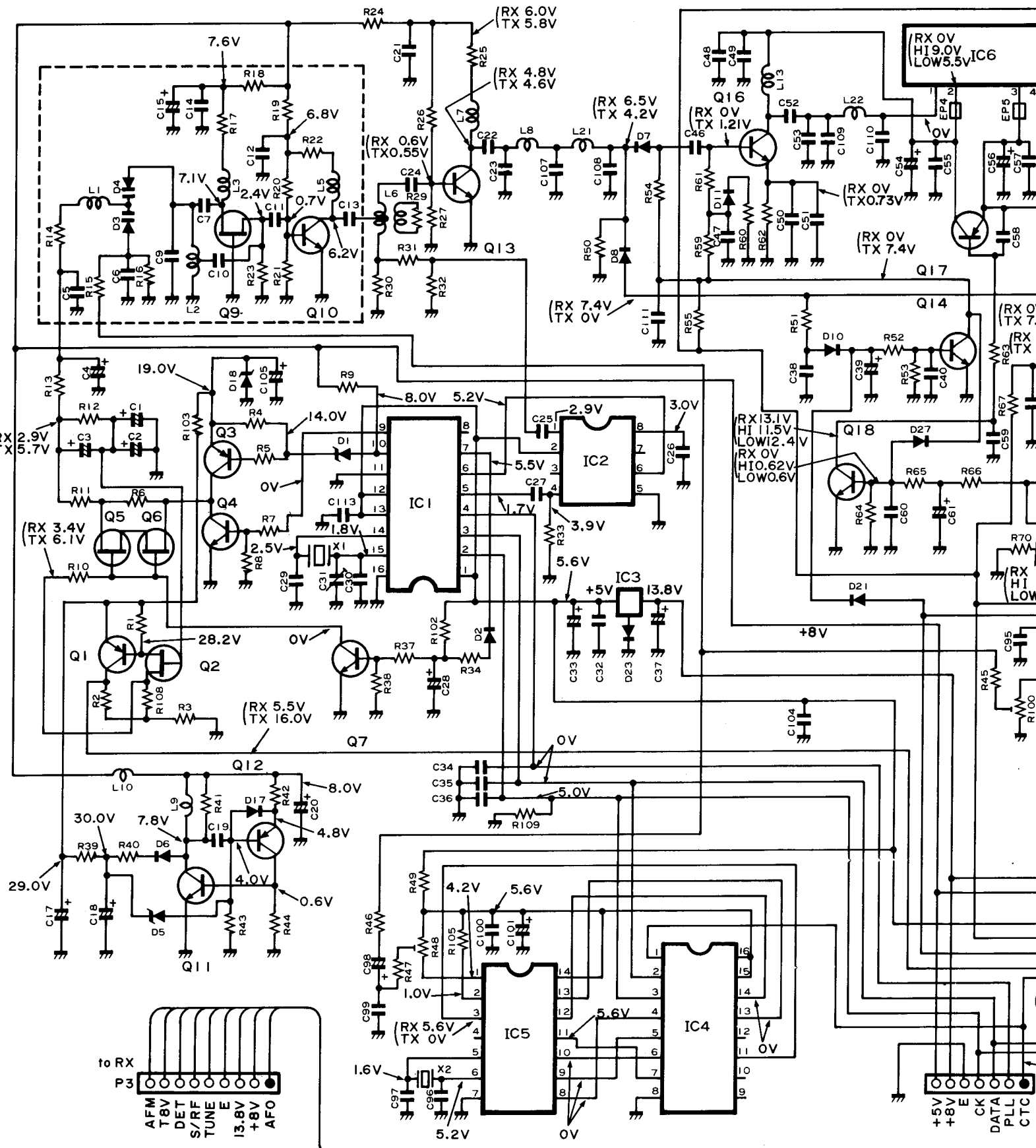
8-2 EF UNIT

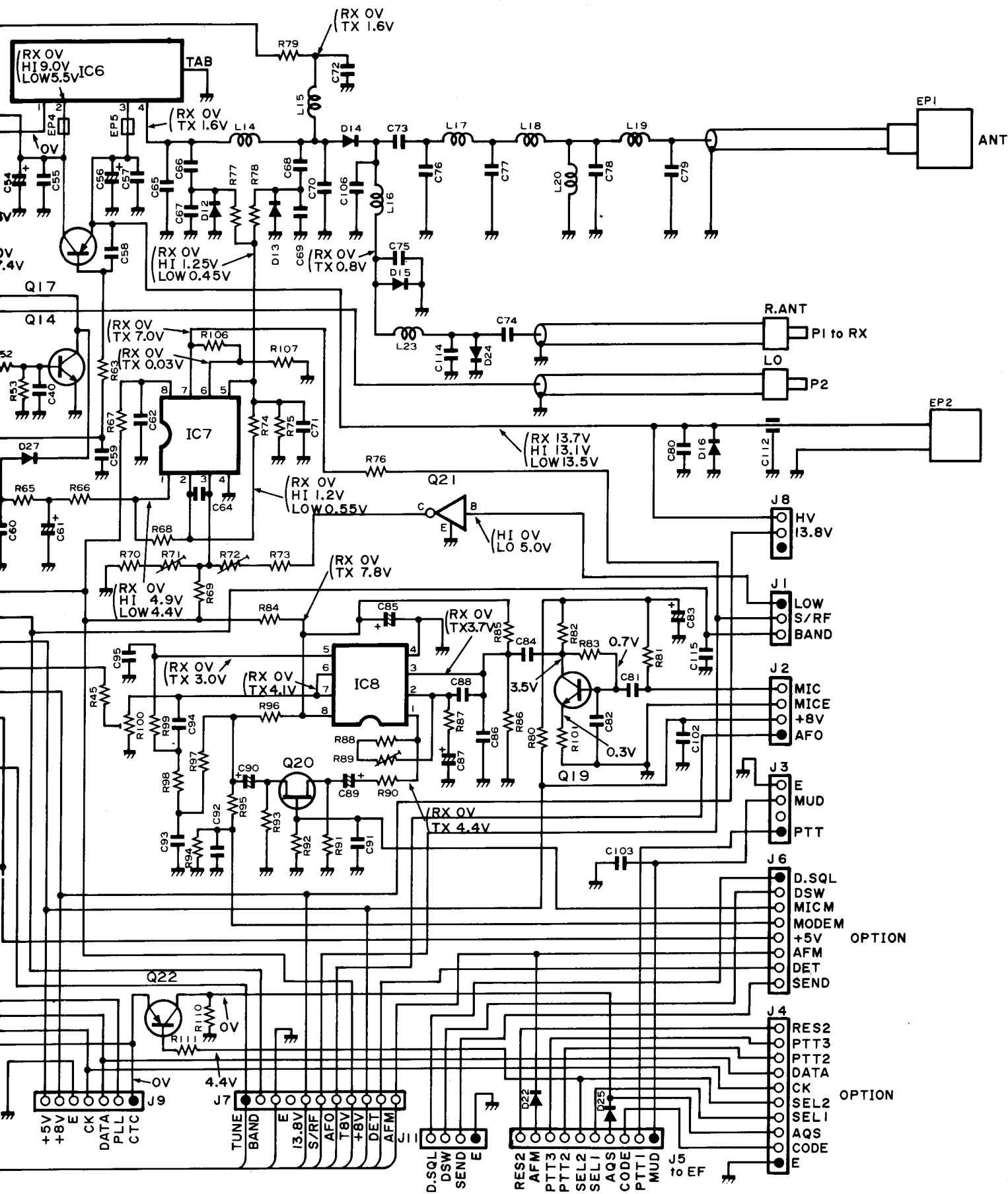


- 7 CK
- 8 DATA
- 9 PLL

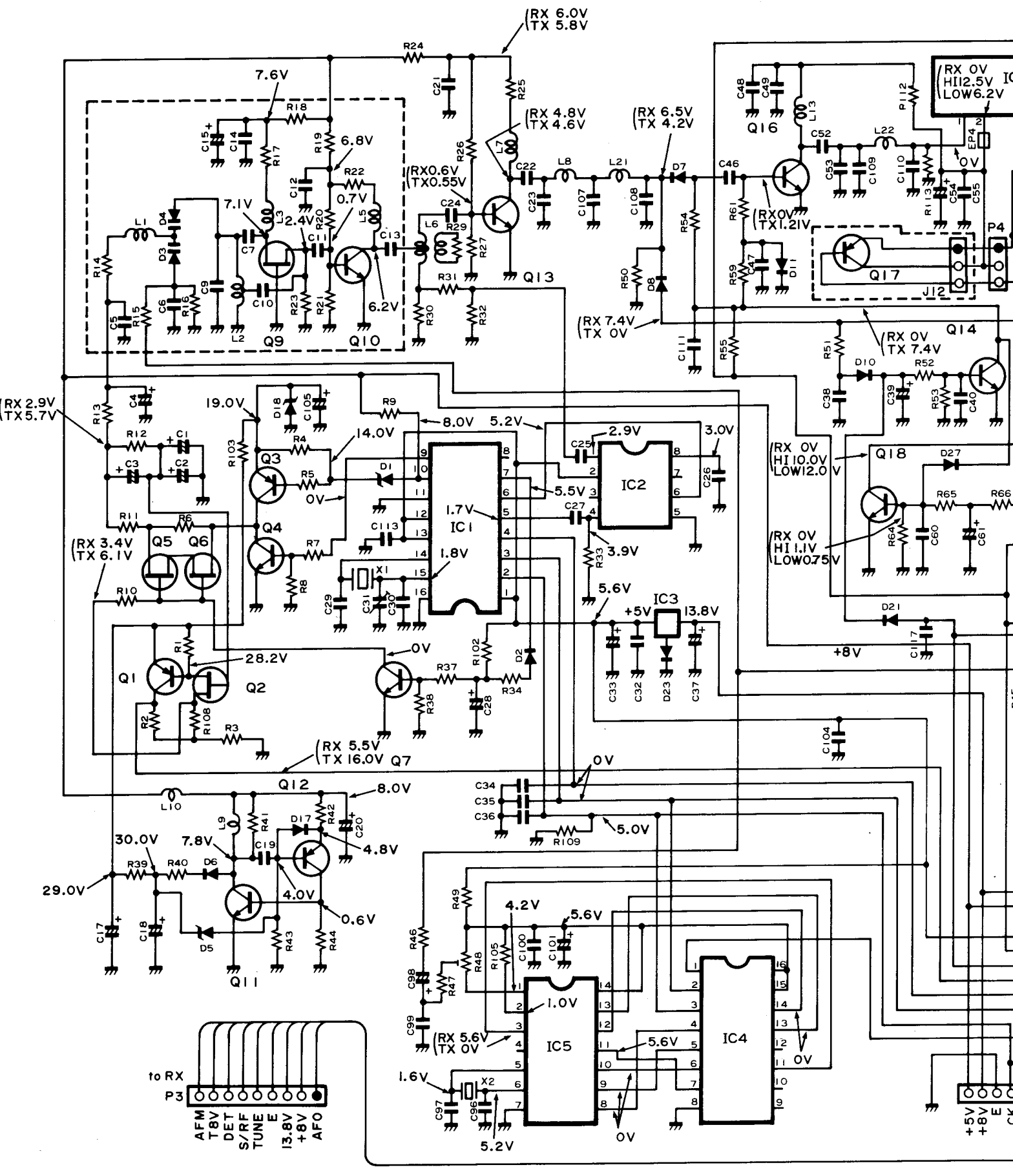


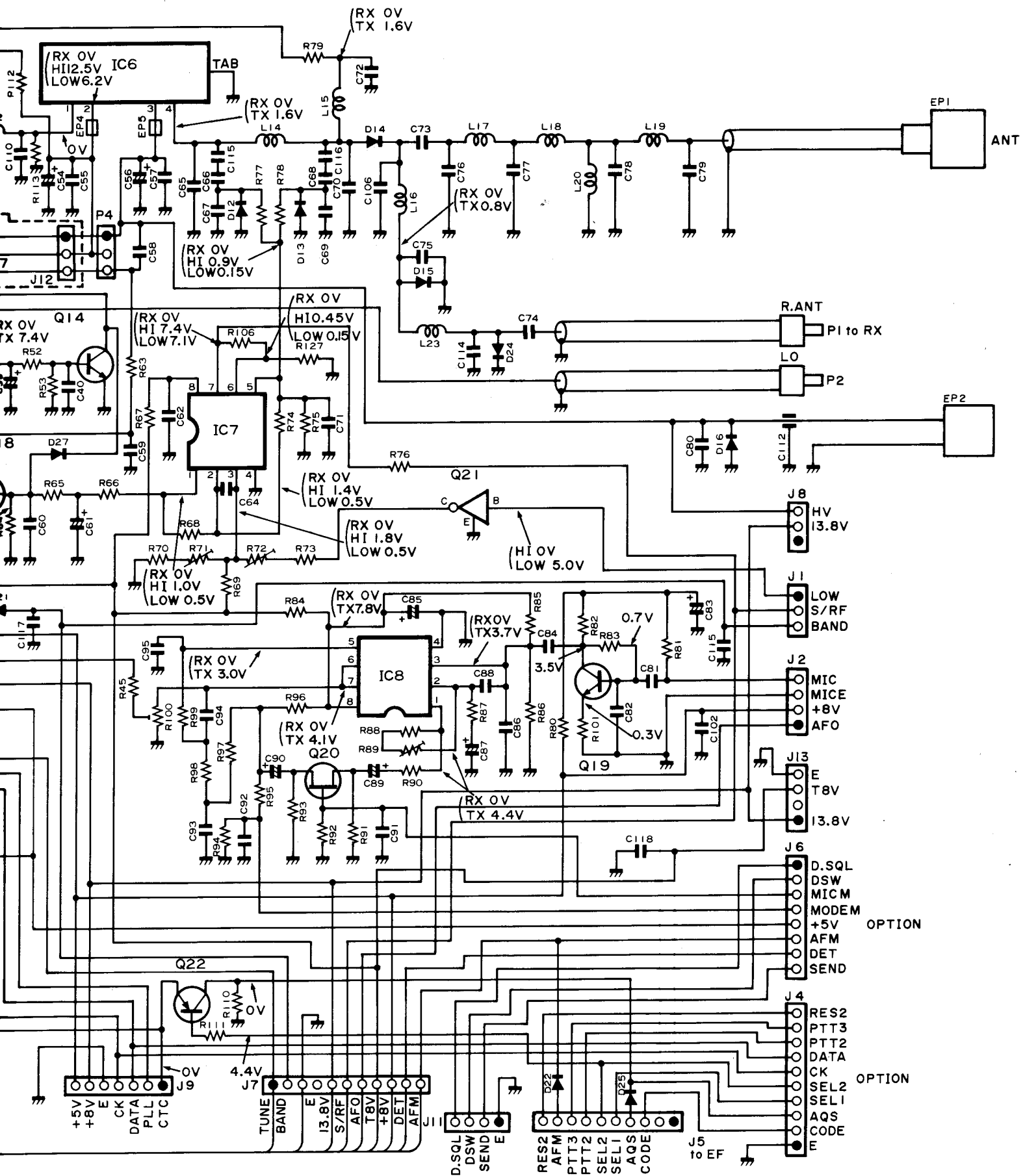
8 - 3 MAIN UNIT (IC-28A/E VERSIONS)



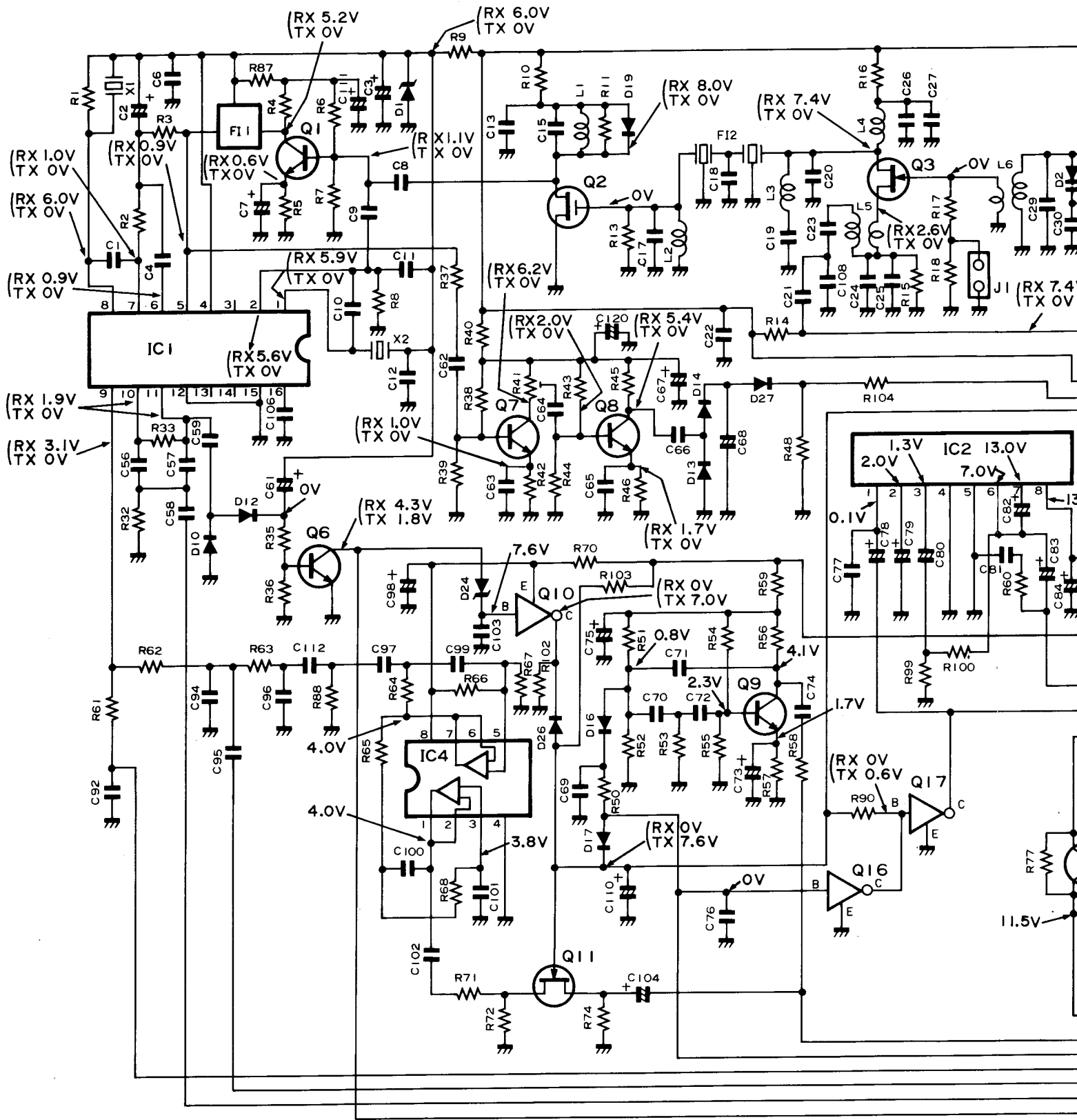


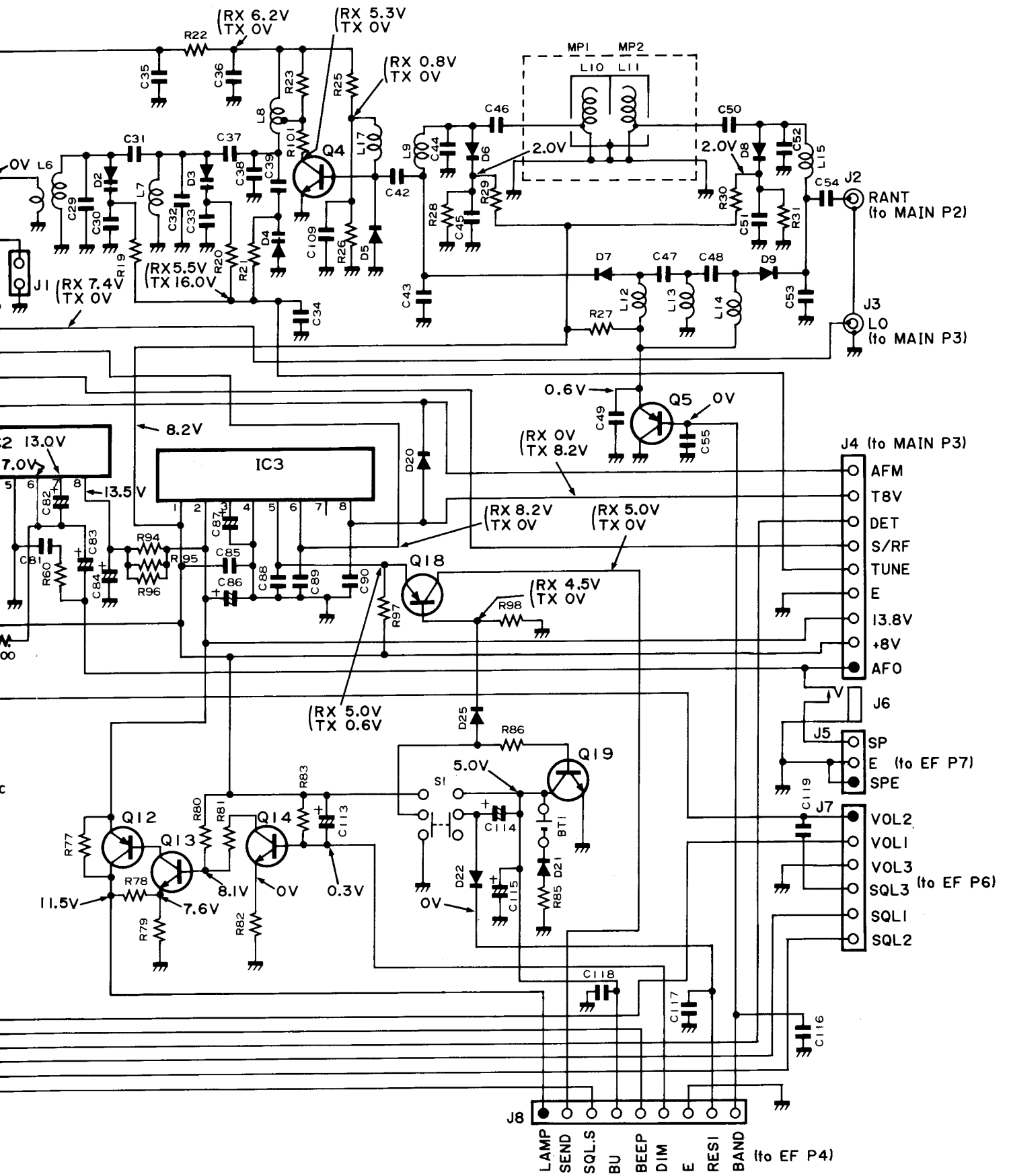
8 - 4 MAIN UNIT (IC-28H VERSIONS)





8 - 5 RX UNIT





SECTION 9 TROUBLESHOOTING

The following chart is designed to help you correct problems which are not equipment malfunctions. If you are not able to locate the cause of the problem or to solve it through the use of this chart, contact your nearest authorized ICOM Dealer or Service Center.

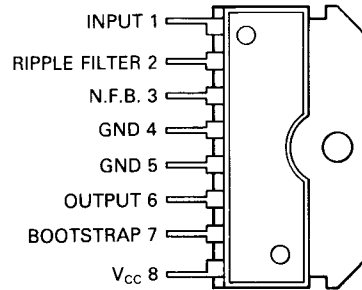
PROBLEM	POSSIBLE CAUSE	SOLUTION
1. Power does not come on when the VOL/PWR CONTROL is pushed ON.	<ul style="list-style-type: none"> • Power cable is improperly connected. • Power connector is making poor contact. • Polarity of the power connection is wrong. • Blown fuse. 	<ul style="list-style-type: none"> • Carefully reconnect power cable. • Check the connector pins. • Disconnect the power cable, replace the blown fuse, then reconnect the power cable observing proper polarity. • Check for the cause, then replace the fuse.
2. No sound comes from the speaker.	<ul style="list-style-type: none"> • Volume setting is too low. • SQUELCH CONTROL is set incorrectly. • External speaker is connected. 	<ul style="list-style-type: none"> • Set volume to an appropriate level. • Adjust squelch so the noise from the speaker is just quieted while receiving no signal. • Check that the external speaker plug is inserted properly, and that the external speaker cable is not cut.
3. Sensitivity is low and only strong signals are audible.	<ul style="list-style-type: none"> • Antenna feedline is cut or short circuited. 	<ul style="list-style-type: none"> • Check, and if necessary replace, the feedline.
4. No or low RF output.	<ul style="list-style-type: none"> • The LOW position is selected with the HI/LO SWITCH. • PTT SWITCH on the microphone is not operating due to poor connection of the MIC CONNECTOR. 	<ul style="list-style-type: none"> • Push the HI/LO SWITCH to select the HIGH output power position. • Check the connector pins on the MIC CONNECTOR.
5. No modulation of the transmitter.	<ul style="list-style-type: none"> • Poor connection of the MIC CONNECTOR. 	<ul style="list-style-type: none"> • Check the connector pins on the MIC CONNECTOR.
6. Frequency does not change when the TUNING CONTROL is turned.	<ul style="list-style-type: none"> • MEMORY mode is selected. 	<ul style="list-style-type: none"> • Select the VFO mode by using the VFO/MR SWITCH.
7. An abnormal, out-of-band frequency is displayed on the front panel DISPLAY.	<ul style="list-style-type: none"> • CPU malfunction. • Lithium backup battery is exhausted. 	<ul style="list-style-type: none"> • Reset the CPU (microcomputer). Refer to SECTION 5-8 in the IC-28A/E/H instruction manual. • Take your IC-28A/E/H to an authorized ICOM Dealer or Service Center.
8. Scan functions do not stop even when signals are received.	<ul style="list-style-type: none"> • SQL/CHK CONTROL is set incorrectly. 	<ul style="list-style-type: none"> • Adjust squelch so the noise from the speaker is just quieted while receiving no signal.
9. Memory channel frequencies change after resetting the CPU.	<ul style="list-style-type: none"> • All memories are initialized after the CPU is reset. 	<ul style="list-style-type: none"> • Re-program the memory channels after the CPU is reset.

SECTION 10 IC RATINGS

10 - 1 LINEAR ICs

μ PC1241H (AUDIO POWER AMPLIFIER)

PIN CONNECTIONS (Top View)

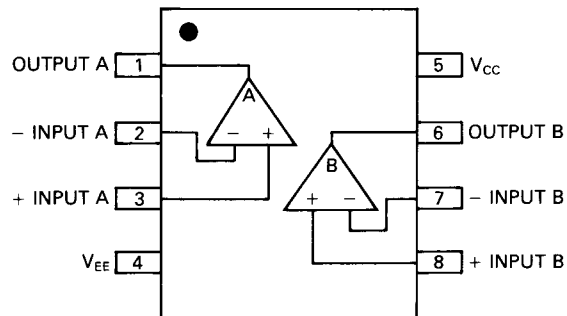


NJM4558D (DUAL LOW NOISE OPERATIONAL AMPLIFIER)

LA6393M (DUAL COMPARATOR)

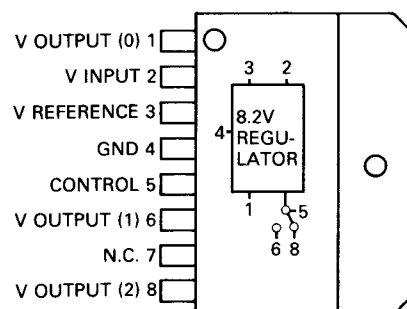
μ PC358C (DUAL DRIVER)

PIN CONNECTIONS (Top View)



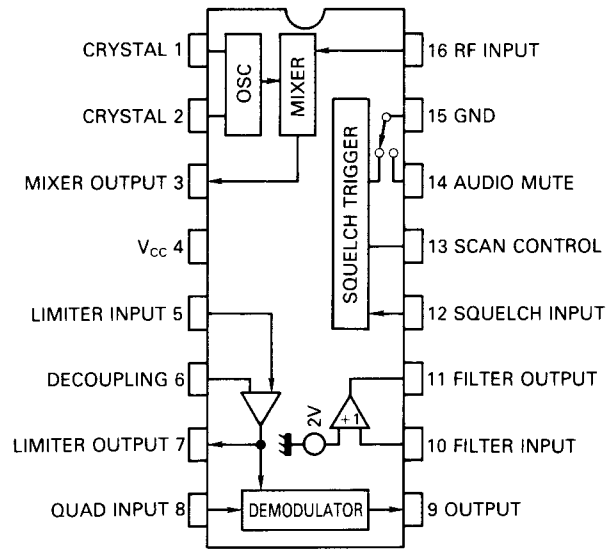
MB3756 (3-OUTPUT 8.2 V VOLTAGE REGULATOR)

PIN CONNECTIONS



MC3357P (NARROW BAND FM IF)

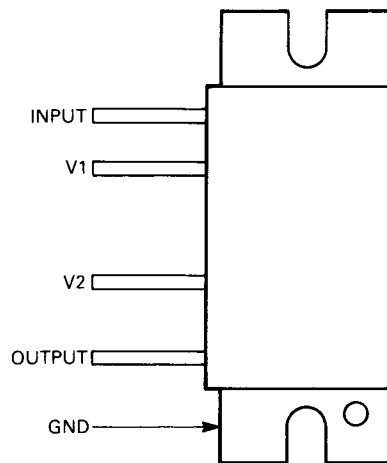
PIN CONNECTIONS (Top View)



SC-1019 (25W VHF RF POWER AMPLIFIER)

SC-1022 (45W VHF RF POWER AMPLIFIER)

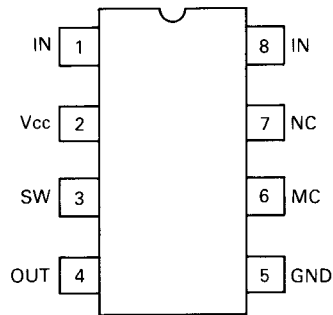
PIN CONNECTIONS



10 - 2 LOGIC ICs

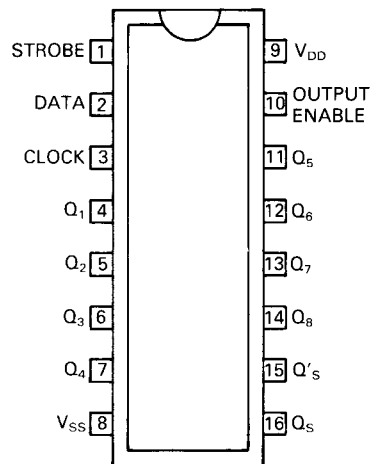
MB504 (HIGH SPEED PRESCALER)

PIN CONNECTIONS (Top View)



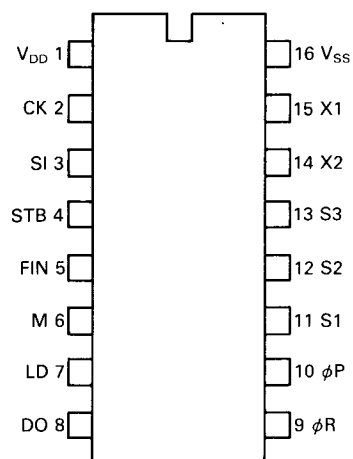
μPD4094 (8-STAGE SHIFT REGISTER)

PIN CONNECTIONS (Top View)



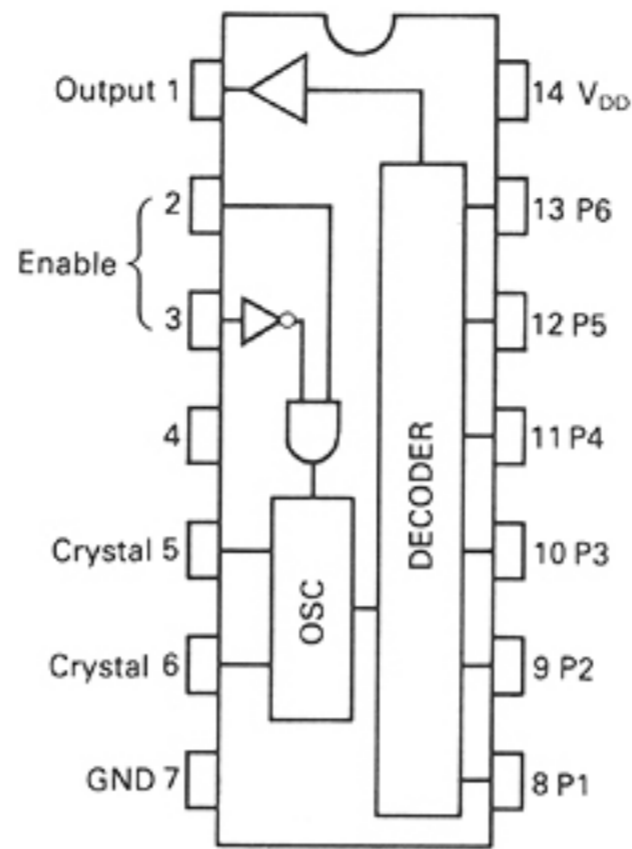
MB87001 (CMOS SERIAL INPUT PLL FREQUENCY SYNTHESIZER)

PIN CONNECTIONS (Top View)



S-7116A (PROGRAMMABLE TONE GENERATOR)

PIN CONNECTIONS (Top View)



PROGRAMMING TABLE

TONE FREQUENCY	P1	P2	P3	P4	P5	P6
67.0	1					
71.9		1				
74.4	1	1				
77.0			1			
79.7	1		1			
82.5		1	1			
85.4	1	1	1			
88.5				1		
91.5	1			1		
94.8		1		1		
97.4	1	1		1		
100.0			1	1		
103.5	1		1	1		
107.2		1	1	1		
110.9	1	1	1	1		
114.8					1	
118.8	1				1	
123.0		1			1	
127.3	1	1			1	
131.8			1		1	

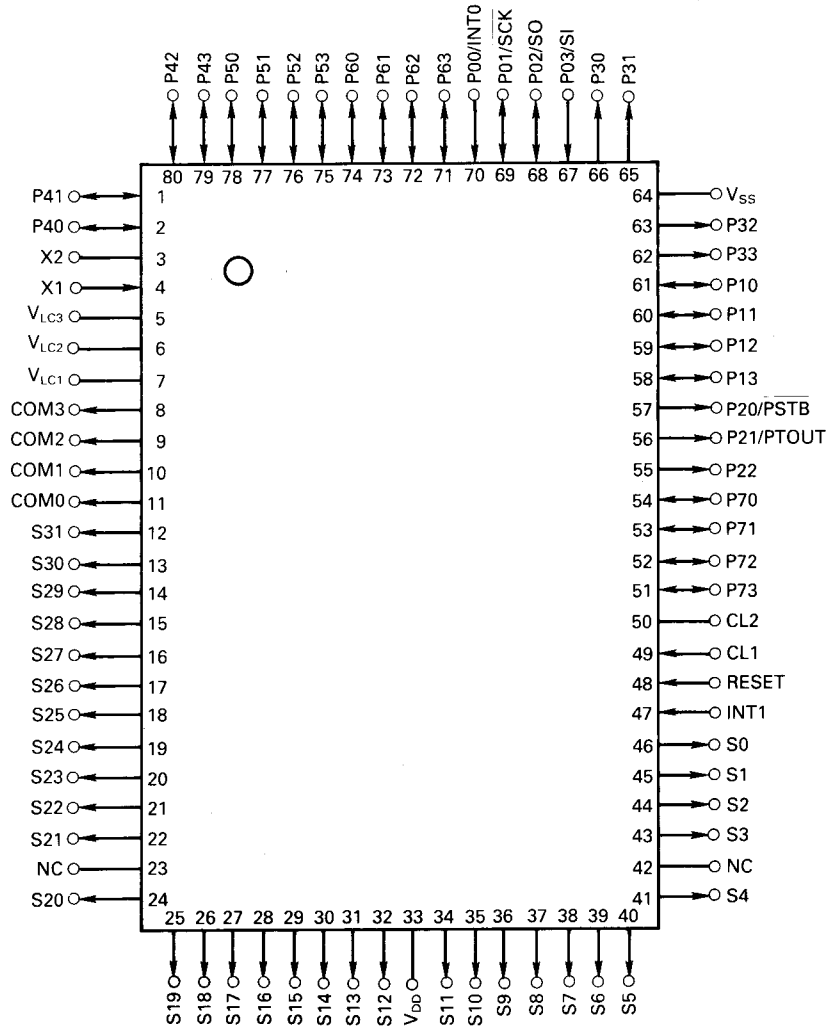
TONE FREQUENCY	P1	P2	P3	P4	P5	P6
136.5	1		1		1	
141.3		1	1		1	
146.2	1	1	1		1	
151.4				1	1	
156.7	1			1	1	
162.2		1		1	1	
167.9	1	1		1	1	
173.8			1	1	1	
179.9	1		1	1	1	
186.2		1	1	1	1	
192.8	1	1	1	1	1	
203.5						1
210.7	1					1
218.1		1				1
225.7	1	1				1
233.6			1			1
241.8	1		1			1
250.3		1	1			1

TONE FREQUENCY	P1	P2	P3	P4	P5	P6
500	1	1	1			1
600				1		1
700	1			1		1
800		1		1		1
900	1	1		1		1
1000			1	1		1
1600	1		1	1		1
1700		1	1	1		1
1750	1	1	1	1		1
1800					1	1
1300	1				1	1
2000		1			1	1
2200	1	1			1	1
2975			1		1	1
2550	1		1		1	1
2295		1	1		1	1
2125	1	1	1		1	1
1275				1	1	1
1445	1			1	1	1

1 : V_{DD}
 Blank : Ground or Open
 Crystal frequency : 3.579545MHz

μPD1514G (MOS DIGITAL IC)

PIN CONNECTIONS (Top View)



SECTION 11 PARTS LIST

NOTE: All parts listed for IC-28A/E are the same in the IC-28H version unless otherwise stated.

11 - 1 EF UNIT

REF. NO.	DESCRIPTION	TYPE (PART NO.)
IC1	IC	μPD7514G-191-12
IC2	IC	LA6393M
Q1	Transistor	2SC2712-Y
Q2	Transistor	2SA1162-Y
Q3	Transistor	2SC2712-Y
Q4	Transistor	2SC2712-Y
Q5	Transistor	2SC2712-Y
Q6	Transistor	2SC2712-Y
Q7	Transistor	2SC2712-Y
Q8	Transistor	2SA1162-Y
Q9	Transistor	2SA1162-Y
Q10	Transistor	2SA1162-Y
Q11	Transistor	2SC2712-Y
Q12	Transistor	2SC2712-Y
Q13	Transistor	2SA1162-Y
Q14	Transistor	2SC2712-Y
Q15	Transistor	2SA1341
Q16	Transistor	2SA1162-Y
Q17	Transistor	2SC3395
Q18	Transistor	2SA1162-Y
D1	Zener	RD5.6M B2
D2	Diode	1SS190
D3	Diode	1SS190
D4	Diode	1SS193
D5	Diode	1SS181
D6	Diode	1SS184
D7	Diode	1SS181
D8	Diode	1SS190
D9	Diode	1SS184
D10	Diode	1SS193
D11	Diode	1SS181
D12	Diode	1SS181
D14	Diode	1SS181 (#01)
D14	Diode	1SS187 (#03, #04)
D15	Diode	1SS190 (#03, #05)
D16	Diode	1SS181
D17	Diode	1SS190
D18	Diode	1SS190
D19	Diode	1SS190
D22	Diode	1SS193
D23	Diode	1SS193
R1	Variable	RK0941114 (10KB)
R2	Variable	RK9A12 (10KA)
R3	CDS	MPY-43C79
R4	Chip	10k MCR10
R5	Chip	10k MCR10
R6	Chip	220k MCR10
R7	Chip	270k MCR10
R8	Chip	10k MCR10
R9	Chip	100k MCR10
R10	Chip	10k MCR10
R11	Chip	100k MCR10

EF UNIT

REF. NO.	DESCRIPTION	TYPE (PART NO.)
R12	Chip	1M MCR10
R13	Chip	100k MCR10
R14	Chip	47k MCR10
R15	Chip	100k MCR10
R16	Chip	220k MCR10
R17	Chip	8.2k MCR10
R18	Chip	100k MCR10
R19	Chip	100k MCR10
R20	Chip	270k MCR10
R21	Chip	270k MCR10
R22	Chip	100k MCR10
R23	Chip	100k MCR10
R24	Chip	3.3k MCR10
R26	Chip	330 MCR10
R27	Chip	22k MCR10
R28	Chip	100k MCR10
R29	Chip	100k MCR10
R30	Chip	100k MCR10
R32	Chip	10k MCR10
R33	Chip	470k MCR10
R34	Chip	100k MCR10
R35	Chip	2.2k MCR10
R36	Chip	22k MCR10
R37	Chip	10k MCR10
R38	Chip	100k MCR10
R39	Chip	100k MCR10
R40	Chip	100k MCR10
R41	Chip	100k MCR10
R42	Chip	100k MCR10
R43	Chip	100k MCR10
R44	Chip	1k MCR10
R45	Chip	220k MCR10
R46	Chip	470k MCR10
R47	Chip	220k MCR10
R48	Chip	1M MCR10
R49	Chip	10k MCR10
R50	Chip	100k MCR10
R51	Chip	100k MCR10
R52	Resistor	4.7k R20 (#03, #04, #05)
R53	Chip	3.3k MCR10
R54	Chip	150 MCR10
R56	Chip	100k MCR10
R57	Chip	470k MCR10
R58	Chip	100k MCR10
R59	Chip	470k MCR10
R60	Chip	56k MCR10
C1	Monolithic	0.1 GRM40 F
C2	Monolithic	0.1 GRM40 F
C3	Monolithic	0.001 GRM40
C4	Monolithic	33P GRM40
C5	Monolithic	0.01 GRM40 F
C6	Monolithic	0.01 GRM40 F
C7	Monolithic	0.01 GRM40 F
C8	Monolithic	0.1 GRM40 F

EF UNIT

REF. NO.	DESCRIPTION	TYPE (PART NO.)	
C9	Monolithic	0.001	GRM40
C10	Monolithic	0.001	GRM40
C11	Monolithic	0.001	GRM40
C12	Monolithic	0.001	GRM40
C13	Monolithic	0.001	GRM40
C14	Monolithic	0.001	GRM40
C15	Monolithic	0.1	GRM40 F
J1	Connector	PD09A04M	
J2	Connector	PD09A02M	
J3	Connector	PD09A02M	
J4	Connector	PD09A03M	
J5	Connector	PD09A04M	
J6	Connector	PD09A05M	
J7	Connector	PD09A06M	
J8	Connector	PD09A02M	
J9	Connector	PD09A03M	
J10	Connector	PD09A02M	
J11	Connector	PD09A03M	
J12	Connector	TLB-P04H-B1	
J13	Connector	PD09A03M	
J14	Connector	TLB-P03H-B1	
J15	Connector	TLB-P03H-B1	
J16	Connector	PD09A02M	
J17	Connector	TLB-P03H-B1	
J18	Connector	8S-S-E	
P1	Connector	EHR-03	
P2	Connector	EHR-10	
P3	Connector	EHR-07	
P4	Connector	EHR-09	
P5	Connector	EHR-03	
P6	Connector	EHR-06	
P7	Connector	EHR-03	
P8	Connector	EHR-04	
P9	Connector	EHR-04	
DS1	LCD	LP234-A	
DS2	Lamp	HRS-7219A-G40	
DS3	Lamp	HRS-7219A-G40	
DS5	LED	GL9ND2	
S1	Rotary Encoder	SRBM1L011A	
S2	Switch	SKHLAB	064A
S3	Switch	SKHLAB	064A
S4	Switch	SKHLAB	064A
S5	Switch	SKHLAB	064A
S6	Switch	SKHLAB	064A
S7	Switch	SKHLAB	064A
S8	Switch	SKHLAB	064A
S9	Switch	SKHLAB	064A
S10	Switch	SKHLAB	064A
S11	Switch	SKHLAB	064A
SP1	Speaker	57S38-1	
EP1	P.C.B.	B-1138B	
EP2	P.C.B.	B-1140A	
EP3	P.C.B.	B-1229	
EP5	Rubber Conductor	SS TYPE	48.5×8.5×3
EP6	P.C.B.	B-1175B	

11 - 2 MAIN UNIT

REF. NO.	DESCRIPTION	TYPE (PART NO.)	
IC1	IC	MB87001P-G	
IC2	IC	MB504P-G	
IC3	IC	μA78L05AWC	
IC4	IC	μPD4094 (#01)	
IC5	IC	S-7116A (#01)	
IC6	IC	SC-1019	
IC6	IC	SC-1022 (IC-28H version)	
IC7	IC	μPC358C	
IC8	IC	NJM4558D	
Q1	Transistor	2SA1048-GR	
Q2	FET	2SK184-Y	
Q3	Transistor	2SA1048-GR	
Q4	Transistor	2SC2458-GR	
Q5	FET	2SK184-Y	
Q6	FET	2SK184-Y	
Q7	Transistor	2SC2458-GR	
Q9	FET	2SK125	
Q10	Transistor	2SC2026	
Q11	Transistor	2SC2458-GR	
Q12	Transistor	2SA1048-GR	
Q13	Transistor	2SC2026	
Q14	Transistor	2SC2458-GR	
Q16	Transistor	2SC2407	
Q16	Transistor	TRF559 (IC-28H version)	
Q17	Transistor	2SA1359-Y	
Q17	Transistor	2SB1019-O/Y (IC-28H version)	
Q18	Transistor	2SC2458-GR	
Q18	Transistor	2SC1645-B (IC-28H version)	
Q19	Transistor	2SC2458L-G	
Q20	FET	2SJ105-GR	
Q21	Transistor	2SC3399	
Q22	Transistor	2SA1048-GR	
D1	Zener	RD15E B2	
D2	Diode	1SS133	
D3	Varicap	1SV50E	
D4	Varicap	1SV50E	
D5	Zener	RD30E B2	
D6	Diode	1S953	
D7	Diode	1SS216	
D8	Diode	1SS216	
D10	Diode	1SS133	
D11	Diode	1SS53	
D12	Diode	1SS97	
D13	Diode	1SS97	
D14	Diode	MI308	
D14	Diode	MI407 (IC-28H version)	
D15	Diode	MI308	
D16	Diode	15CD11	
D17	Diode	1SS133	
D18	Zener	RD20E B2	
D21	Diode	1SS133	
D22	Diode	1SS133	
D23	Diode	1SS133	
D24	Diode	MI308	
D25	Diode	1SS133	
D27	Diode	1S953 (IC-28H version)	
X1	Crystal	CR106 (#01, #04)	
X1	Crystal	CR107 (#03, #05)	
X2	Crystal	RF4A3FAANKD (#01)	
L1	Coil	LAL02KR 3R3K	

MAIN UNIT

REF. NO.	DESCRIPTION	TYPE (PART NO.)	
L2	Coil	LB-167	
L3	Coil	LAL02KR	3R3K
L5	Coil	LAL02KR	3R3K
L6	Coil	LR-116	
L7	Coil	LAL03NA	3R3K
L8	Coil	LA-244	
L9	Coil	LW-30	
L10	Coil	LAL03NA	102K
L13	Coil	LA-246	
L13	Coil	LA-254	(IC-28H version)
L14	Coil	LA-234	
L14	Coil	LA-244	(IC-28H version)
L15	Coil	LW-19	
L16	Coil	LA-235	
L17	Coil	LA-244	
L18	Coil	LA-236	
L19	Coil	LA-244	
L20	Coil	LW-19	
L21	Coil	LA-233	
L22	Coil	LA-233	
L22	Coil	LA-235	(IC-28H version)
L23	Coil	LA-235	
R1	Resistor	220k	ELR20
R2	Resistor	150k	ELR20
R3	Resistor	100k	ELR20
R4	Resistor	330k	ELR20
R5	Resistor	27k	ELR20
R6	Resistor	10k	ELR20
R7	Resistor	47k	ELR20
R8	Resistor	100k	ELR20
R9	Resistor	10k	ELR20
R10	Resistor	2.2M	ELR20
R11	Resistor	470	ELR20
R12	Resistor	270	R20
R13	Resistor	2.2k	ELR20
R14	Resistor	470	ELR20
R15	Resistor	2.7k	ELR20
R16	Resistor	470	ELR20
R17	Resistor	47	ELR20
R18	Resistor	47	ELR20
R19	Resistor	100	ELR20
R20	Resistor	4.7k	ELR20
R21	Resistor	680	ELR20
R22	Resistor	47	ELR20
R23	Resistor	220	ELR20
R24	Resistor	100	ELR20
R25	Resistor	47	ELR20
R26	Resistor	4.7k	ELR20
R27	Resistor	680	ELR20
R29	Resistor	47	ELR20
R30	Resistor	270	ELR20
R31	Resistor	18	ELR20
R32	Resistor	270	ELR20
R33	Resistor	4.7k	ELR20
R34	Resistor	4.7k	ELR20
R37	Resistor	270k	ELR20
R38	Resistor	100k	ELR20
R39	Resistor	470	ELR20
R40	Resistor	470	ELR20
R41	Resistor	10k	R20
R42	Resistor	15k	ELR20
R43	Resistor	68k	ELR20
R44	Resistor	2.2k	ELR20

MAIN UNIT

REF. NO.	DESCRIPTION	TYPE (PART NO.)	
R45	Resistor	15k	ELR20
R46	Resistor	47k	ELR20 (#01)
R47	Resistor	47k	ELR20 (#01)
R48	Trimmer	RHB0CS42BA	47k (#01)
R49	Resistor	10	R20 (#01)
R50	Resistor	4.7k	R20
R51	Resistor	1k	ELR20
R52	Resistor	10k	ELR20
R53	Resistor	10k	ELR20
R54	Resistor	2.2k	R20
R55	Resistor	390	R20
R59	Resistor	2.2k	R20
R60	Resistor	330	ELR20 (IC-28A/E versions only)
R61	Resistor	47	ELR20
R62	Resistor	10	ELR20 (IC-28A/E versions only)
R63	Resistor	330	ELR20
R63	Resistor	220	R50 (IC-28H version)
R64	Resistor	10k	ELR20
R64	Resistor	33k	ELR20 (IC-28H version)
R65	Resistor	47k	ELR20
R66	Resistor	10k	ELR20
R67	Resistor	100	ELR20
R68	Resistor	820k	ELR20
R68	Resistor	2.2M	ELR20 (IC-28H version)
R69	Resistor	15k	ELR20
R70	Resistor	1.2k	ELR20
R70	Resistor	2.2k	ELR20 (IC-28H version)
R71	Trimmer	RHMOAJ304A	3.3k
R72	Trimmer	RHMOAJ305A	2.2k
R73	Resistor	390	ELR20
R73	Resistor	47	ELR20 (IC-28H version)
R74	Resistor	56k	ELR20
R75	Resistor	4.7k	ELR20
R76	Resistor	100k	R20
R77	Resistor	4.7k	R20
R77	Resistor	4.7k	CRB25FX (IC-28H version)
R78	Resistor	4.7k	R20
R78	Resistor	4.7k	CRB25FX (IC-28H version)
R79	Resistor	100	R50
R79	Resistor	68	R50 (IC-28H version)
R80	Resistor	100	ELR20
R81	Resistor	1k	ELR20
R82	Resistor	5.6k	ELR20
R83	Resistor	1.2M	ELR20
R84	Resistor	100	ELR20
R85	Resistor	220k	ELR20
R86	Resistor	270k	ELR20
R87	Resistor	100	ELR20
R88	Resistor	1.5k	ELR20
R89	Trimmer	RHB0C151XA	100k
R90	Resistor	56k	ELR20
R91	Resistor	5.6k	ELR20
R92	Resistor	100k	ELR20
R93	Resistor	33k	ELR20
R94	Resistor	100k	ELR20
R95	Resistor	47k	ELR20
R96	Resistor	150k	ELR20
R97	Resistor	82k	ELR20
R98	Resistor	82k	ELR20
R99	Resistor	82k	ELR20
R100	Trimmer	RHBOC1431A	10k
R101	Resistor	330	ELR20

RX UNIT

REF. NO.	DESCRIPTION	TYPE (PART NO.)	
L11	Coil	LB-50A	
L12	Coil	LAL03NA	3R3k
L13	Coil	LA-244	
L14	Coil	LAL03NA	3R3k
L15	Coil	LA-235	
L17	Coil	LA-245	
R1	Resistor	1.5k	ELR20
R2	Resistor	47k	ELR20
R3	Resistor	1.5k	ELR20
R4	Resistor	1.5k	ELR20
R5	Resistor	1k	ELR20
R6	Resistor	56k	ELR20
R7	Resistor	18k	ELR20
R8	Resistor	22k	ELR20
R9	Resistor	100	ELR20
R10	Resistor	100	ELR20
R11	Resistor	10k	ELR20
R13	Resistor	2.2k	ELR20
R14	Resistor	470	ELR20
R15	Resistor	330	ELR20
R16	Resistor	100	R20
R17	Resistor	1.5k	ELR20
R18	Resistor	1.5k	ELR20
R19	Resistor	100k	ELR20
R20	Resistor	100k	ELR20
R21	Resistor	100k	ELR20
R22	Resistor	68	ELR20
R23	Resistor	470	ELR20
R25	Resistor	820	ELR20
R26	Resistor	120	ELR20
R27	Resistor	3.3k	R20
R28	Resistor	3.9k	ELR20
R29	Resistor	12k	R20
R30	Resistor	12k	R20
R31	Resistor	3.9k	ELR20
R32	Resistor	5.6k	ELR20
R33	Resistor	330k	ELR20
R35	Resistor	100k	ELR20
R36	Resistor	100k	ELR20
R37	Resistor	27k	R20
R38	Resistor	180k	R20
R39	Resistor	47k	R20
R40	Resistor	100	R20
R41	Trimmer	RHB0CS32UA	4.7k
R42	Resistor	2.7k	R20
R43	Resistor	100k	ELR20
R44	Resistor	47k	R20
R45	Resistor	2.7k	ELR20
R46	Resistor	1k	R20
R48	Resistor	12k	R20
R50	Resistor	10k	R20
R51	Resistor	100k	ELR20
R52	Resistor	27k	R20
R53	Resistor	27k	R20
R54	Resistor	68k	R20
R55	Resistor	27k	R20
R56	Resistor	22k	R20
R57	Resistor	10k	R20
R58	Resistor	470k	ELR20
R59	Resistor	100	R20
R60	Resistor	2.2	ELR20
R61	Resistor	470	ELR20
R62	Resistor	470	ELR20

RX UNIT

REF. NO.	DESCRIPTION	TYPE (PART NO.)	
R63	Resistor	27k	R20
R64	Resistor	5.6k	ELR20
R65	Resistor	12k	ELR20
R66	Resistor	1.2M	ELR20
R67	Resistor	1.2M	ELR20
R68	Resistor	12k	ELR20
R70	Resistor	100	ELR20
R71	Resistor	2.7k	ELR20
R72	Resistor	4.7k	ELR20
R74	Resistor	10k	ELR20
R77	Resistor	100	R50
R78	Resistor	1.5k	ELR20
R79	Resistor	2.7k	ELR20
R80	Resistor	3.3k	ELR20
R81	Resistor	8.2k	ELR20
R82	Resistor	4.7k	ELR20
R83	Resistor	220k	ELR20
R85	Resistor	220k	ELR20
R86	Resistor	1.5k	ELR20
R87	Resistor	100	ELR20
R88	Resistor	27k	ELR20
R90	Resistor	220k	ELR20
R94	Resistor	1	R20
R95	Resistor	1	R20
R96	Resistor	1	R20
R97	Resistor	100k	ELR20
R98	Resistor	100k	ELR20
R99	Resistor	3.3	ELR20
R100	Resistor	1k	ELR20
R101	Resistor	47	ELR20
R102	Resistor	4.7k	ELR20
R103	Resistor	100k	ELR20
R104	Resistor	1k	R20
C1	Ceramic	82P	50V
C2	Electrolytic	0.1	50V MS7
C3	Electrolytic	4.7	25V MS7
C4	Barrier	0.1	16V
C6	Barrier	0.01	25V
C7	Tantalum	DN1C	4R7M1S
C8	Ceramic	0.001	50V
C9	Ceramic	5P	50V
C10	Ceramic	100P	50V
C11	Ceramic	39P	50V
C12	Barrier	0.01	25V
C13	Barrier	0.01	25V
C15	Ceramic	27P	50V
C17	Ceramic	39P	50V
C18	Ceramic	3P	50V
C19	Ceramic	47P	50V CH
C20	Ceramic	82P	50V CH
C21	Ceramic	12P	50V
C22	Ceramic	0.001	50V
C23	Ceramic	9P	50V
C24	Barrier	0.01	25V
C25	Ceramic	0.001	50V
C26	Barrier	0.01	25V
C27	Ceramic	0.001	50V
C29	Ceramic	1P	50V
C30	Ceramic	10P	50V
C31	Ceramic	0.35P	50V
C32	Ceramic	1P	50V
C33	Ceramic	10P	50V
C34	Ceramic	0.001	50V

RX UNIT

REF. NO.	DESCRIPTION	TYPE (PART NO.)	
C35	Ceramic	0.001	50V
C36	Ceramic	0.001	50V
C37	Ceramic	0.35P	50V
C38	Ceramic	1P	50V
C39	Ceramic	10P	50V
C42	Ceramic	0.001	50V
C43	Ceramic	22P	50V
C44	Ceramic	22P	50V
C45	Ceramic	470P	50V
C46	Ceramic	0.001	50V
C47	Ceramic	10P	50V
C48	Ceramic	10P	50V
C49	Ceramic	0.001	50V
C50	Ceramic	18P	50V
C51	Ceramic	470P	50V
C52	Ceramic	22P	50V
C53	Ceramic	22P	50V
C54	Ceramic	0.001	50V
C55	Ceramic	0.001	50V
C56	Barrier	0.0015	25V
C57	Ceramic	33P	50V
C58	Barrier	0.0015	25V
C59	Barrier	0.01	25V
C61	Electrolytic	1	50V MS7
C62	Ceramic	100P	50V
C63	Barrier	0.01	25V
C64	Barrier	0.01	25V
C65	Barrier	0.01	25V
C66	Barrier	0.01	25V
C67	Electrolytic	1	50V MS7
C68	Electrolytic	10	16V MS7
C69	Barrier	0.01	25V
C70	Ceramic	0.001	50V
C71	Ceramic	0.001	50V
C72	Ceramic	0.001	50V
C73	Electrolytic	1	50V MS7
C74	Ceramic	0.001	50V
C75	Electrolytic	10	16V MS7
C76	Ceramic	0.001	50V
C77	Ceramic	470P	50V
C78	Electrolytic	0.1	50V MS7
C79	Electrolytic	47	16V MS9
C80	Electrolytic	220	16V MS9
C81	Barrier	0.1	16V
C82	Electrolytic	47	16V MS9
C83	Electrolytic	220	16V MS9
C84	Electrolytic	470	16V MS16
C85	Barrier	0.1	16V
C86	Electrolytic	10	16V MS7
C87	Electrolytic	4.7	25V MS7
C88	Barrier	0.1	16V
C89	Barrier	0.1	16V
C90	Barrier	0.1	16V
C92	Ceramic	0.001	50V
C94	Ceramic	0.001	50V
C95	Ceramic	0.001	50V
C96	Barrier	0.01	25V
C97	Barrier	0.01	25V
C98	Electrolytic	10	16V MS7
C99	Barrier	0.01	25V
C100	Barrier	0.01	25V
C101	Barrier	0.0047	25V
C102	Mylar	0.056	50V
C103	Ceramic	0.001	50V

RX UNIT

REF. NO.	DESCRIPTION	TYPE (PART NO.)		
C104	Electrolytic	1	50V	MS7
C106	Ceramic	0.001	50V	
C108	Ceramic	56P	50V	
C109	Ceramic	0.001	50V	
C110	Electrolytic	4.7	25V	MS7
C111	Electrolytic	0.1	50V	MS7
C112	Barrier	0.01	25V	
C113	Electrolytic	10	16V	MS7
C114	Electrolytic	0.33	50V	MS7
C115	Electrolytic	4.7	25V	MS7
C116	Ceramic	0.001	50V	
C117	Ceramic	470P	50V	
C118	Ceramic	0.001	50V	
C119	Ceramic	0.001	50V	
C120	Tantalum	DN1V	0R1M1S	
J1	Connector	IMSA-9201B-2-02-T		
J2	Connector	IMP-J01X-A2		
J3	Connector	IMP-J01X-A2		
J4	Connector	B9B-EH-S		
J5	Connector	B3B-EH-S		
J6	Connector	HSJ0836-001-010		
J7	Connector	B6B-EH-S		
J8	Connector	B9B-EH-S		
S1	Switch	SPPH21127A		
BT1	Lithium Battery	BR2032-1T2		
EP1	P.C.B.	B-1196D		
EP2	P.C.B.	B-1141B		
EP3	Crystal Seat	41424		
EP4	Filter Spacer	41590		
MP1	Helical Cavity	No.5	41053	
MP1	Helical Cavity	No.12	41053	(IC-28H version)
MP2	Helical Cavity	No.5	41053	
MP2	Helical Cavity	No.12	41053	(IC-28H version)
MP3	AF Amp Heat Sink	(1)-1	43313	
W1		JPW-02A		
W2		JPW-02A		
W3	JUMPER	74/98/015/X98/X98		
W4		JPW-02A		

MAIN UNIT

REF. NO.	DESCRIPTION	TYPE (PART NO.)	
R102	Resistor	220k	ELR20
R103	Resistor	6.8k	ELR20
R105	Resistor	100k	ELR20 (#01)
R106	Resistor	180k	ELR20
R107	Resistor	680	ELR20
R108	Resistor	1.2M	ELR20
R109	Resistor	47k	R20
R110	Resistor	100k	R20
R111	Resistor	470k	ELR20
R112	Resistor	10	R50X (IC-28H version)
R113	Resistor	150	ELR20 (IC-28H version)
C1	Tantalum	DN1V	100M1S
C2	Tantalum	DN1V	100M1S
C3	Tantalum	DN1V	2R2M1S
C4	Tantalum	DN1V	0R1M1S
C5	Ceramic	470P	50V
C6	Ceramic	470P	50V
C7	Ceramic	0.001	50V
C9	Ceramic	1P	50V
C10	Ceramic	0.001	50V
C11	Ceramic	1P	50V
C12	Ceramic	470P	50V
C13	Ceramic	100P	50V
C14	Ceramic	470P	50V
C15	Tantalum	DN1C	4R7M1S
C17	Electrolytic	3.3	50V MS7
C18	Electrolytic	3.3	50V MS7
C19	Ceramic	100P	50V
C20	Electrolytic	10	16V MS7
C21	Ceramic	470P	50V
C22	Ceramic	5P	50V
C23	Ceramic	10P	50V
C24	Ceramic	22P	50V
C25	Ceramic	0.001	50V
C26	Ceramic	0.001	50V
C27	Ceramic	0.001	50V
C28	Electrolytic	4.7	25V MS7
C29	Ceramic	39P	50V
C30	Ceramic	27P	50V
C31	Trimmer	ECR-GA020E30	20P
C32	Barrier	0.1	16V
C33	Electrolytic	22	6.3V MS7
C34	Ceramic	470P	50V
C35	Ceramic	470P	50V
C36	Ceramic	470P	50V
C37	Electrolytic	10	16V MS7
C38	Ceramic	470P	50V
C39	Electrolytic	4.7	25V MS7
C40	Ceramic	470P	50V
C46	Ceramic	12P	50V
C46	Ceramic	47P	50V (IC-28H version)
C47	Ceramic	470P	50V
C48	Ceramic	470P	50V
C49	Ceramic	470P	50V
C50	Ceramic	470P	50V (IC-28A/E versions only)
C51	Ceramic	470P	50V (IC-28A/E versions only)
C52	Ceramic	22P	50V
C53	Ceramic	10P	50V (IC-28A/E versions only)
C54	Tantalum	DN1V	100M1S
C55	Ceramic	0.001	50V

MAIN UNIT

REF. NO.	DESCRIPTION	TYPE (PART NO.)		
C56	Electrolytic	10	16V	MS7
C57	Ceramic	0.001	50V	
C58	Ceramic	0.001	50V	
C59	Ceramic	0.001	50V	
C60	Ceramic	0.001	50V	
C61	Electrolytic	10	16V	MS7
C62	Ceramic	0.001	50V	
C64	Ceramic	0.001	50V	
C65	Ceramic	22P	500V	
C65	Ceramic	12P	500V	(IC-28H version)
C66	Ceramic	1P	50V	
C66	Ceramic	2P	50V UJ	(IC-28H version)
C67	Ceramic	20P	50V	
C67	Ceramic	27P	50V CH	(IC-28H version)
C68	Ceramic	1P	50V	
C68	Ceramic	2P	50V UJ	(IC-28H version)
C69	Ceramic	20P	50V	
C69	Ceramic	27P	50V CH	(IC-28H version)
C70	Ceramic	12P	500V	
C71	Ceramic	0.001	50V	
C72	Ceramic	0.001	50V	
C73	Ceramic	0.001	500V	
C74	Ceramic	100P	50V	
C75	Ceramic	39P	50V	
C76	Ceramic	15P	500V	
C77	Ceramic	30P	500V	
C78	Ceramic	30P	500V	
C79	Ceramic	10P	500V	
C80	Ceramic	220P	50V	
C81	Barrier	0.01	25V	
C82	Ceramic	470P	50V	
C83	Tantalum	DN1A	100M1S	
C84	Barrier	0.01	25V	
C85	Electrolytic	4.7	25V	MS7
C86	Ceramic	470P	50V	
C87	Tantalum	DN1V	R22M1S	
C88	Ceramic	470P	50V	
C89	Electrolytic	1	50V	MS7
C90	Tantlum	DN1V	010M1S	
C91	Barrier	0.01	25V	
C92	Ceramic	470P	50V	
C93	Barrier	0.001	25V	
C94	Barrier	0.0022	25V	
C95	Ceramic	120P	50V	
C96	Ceramic	39P	50V	(#01)
C97	Ceramic	39P	50V	(#01)
C98	Electrolytic	0.1	50V	MS7 (#01)
C99	Barrier	0.01	25V	(#01)
C100	Ceramic	0.001	50V	(#01)
C101	Electrolytic	2.2	50V	MS7 (#01)
C102	Ceramic	0.001	50V	
C103	Ceramic	0.001	50V	(IC-28A/E versions only)
C104	Ceramic	470P	50V	
C105	Electrolytic	47	25V	MS9
C106	Ceramic	22P	500V	
C106	Ceramic	18P	500V	(IC-28H version)
C107	Ceramic	22P	50V	
C108	Ceramic	22P	50V	
C109	Ceramic	22P	50V	
C109	Ceramic	10P	50V	(IC-28H version)
C110	Ceramic	22P	50V	
C111	Ceramic	470P	50V	
C112	Feed Through	TF318-450E	102GMV 50V	

MAIN UNIT

REF. NO.	DESCRIPTION	TYPE (PART NO.)	
C113	Ceramic	0.001	50V
C114	Ceramic	20P	50V
C115	Ceramic	470P	50V
C115	Ceramic	2P	500V (IC-28H version)
C116	Ceramic	2P	500V (IC-28H version)
C117	Ceramic	220P	50V (IC-28H version)
C118	Ceramic	0.001	50V (IC-28H version)
J1	Connector	B03B-EH-S	
J2	Connector	B04B-EH-S	
J3	Connector	B04B-EH-S (IC-28A/E versions only)	
J4	Connector	B10B-EH-S	
J5	Connector	B10B-EH-S	
J6	Connector	B08B-EH-S	
J7	Connector	TLB-P11H-B1	
J8	Connector	B03B-EH-S	
J9	Connector	B07B-EH-S	
J11	Connector	B04B-EH-S	
J12	Connector	B03B-EH-S (IC-28H version)	
J13	Connector	B04B-EH-S (IC-28H version)	
P1	Connector	TMP-P01X-A1	
P2	Connector	TMP-P01X-A1	
P3	Connector	EHR-09	
P4	Connector	EHR-03 (IC-28H version)	
EP1		OPC-90	
EP2		OPC-143	
EP3	P.C.B.	B-1136E	
EP3	P.C.B.	B-1250A (IC-28H version)	
EP4	Ferrite Bead	DL2-OP2.6-3-1.2H	
EP5	Ferrite Bead	DL2-OP2.6-3-1.2H	
EP6	P.C.B.	B-1254 (IC-28H version)	
EP9	Crystal Seat	4124 (#01)	
MP3	VCO Case	42550	
MP4	VCO Case Cover	42551	
MP10	Filter Shield Case	43246	
W2		61/08/140/C31/W13A	
W3		61/99/170/C31/W13A P2	
W17		JPW-02A	
W22		JPW-02A	

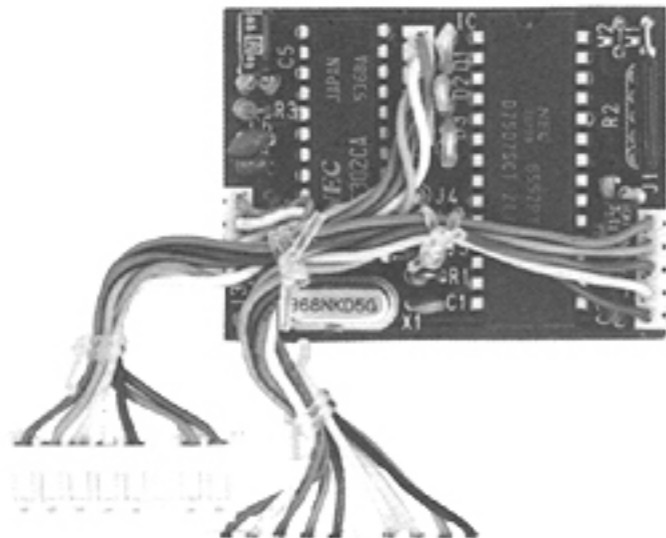
11 - 3 RX UNIT

REF. NO.	DESCRIPTION	TYPE (PART NO.)
IC1	IC	MC3357P
IC2	IC	μPC1241H
IC3	IC	MB3756
IC4	IC	NJM4558D
Q1	Transistor	2SC2668-O
Q2	FET	2SK241-Y
Q3	FET	2SK125
Q4	Transistor	2SC3355
Q5	Transistor	2SA1048-GR
Q6	Transistor	2SC2458-GR
Q7	Transistor	2SC2458-GR
Q8	Transistor	2SC2458-GR
Q9	Transistor	2SC2458-GR
Q10	Transistor	2SA1348
Q11	FET	2SJ105-GR
Q12	Transistor	2SB909M-R
Q13	Transistor	2SC2458-GR
Q14	Transistor	2SC2458-GR
Q16	Transistor	2SC3399
Q17	Transistor	2SC3399
Q18	Transistor	2SA1048-GR
Q19	Transistor	2SD1225M-R
D1	Zener	RD6.2E B2
D2	Varicap	1SV50E
D3	Varicap	1SV50E
D4	Varicap	1SV50E
D5	Diode	1S953
D6	Diode	1SS216
D7	Diode	1SS216
D8	Diode	1SS216
D9	Diode	1SS216
D10	Diode	1S953
D12	Diode	1S953
D13	Diode	1S953
D14	Diode	1S953
D16	Diode	1SS133
D17	Diode	1SS133
D19	Diode	1S953
D20	Diode	1SS133
D21	Diode	1SS133
D22	Diode	1SS133
D24	Diode	R6.2E B2
D25	Diode	1SS133
D26	Diode	1SS133
D27	Diode	1SS133
FI1	Ceramic	CFV455E10
FI2	Crystal	17M15B
X1	Discriminator	CDB455C7A
X2	Crystal	CR166
L1	Coil	LS-66
L2	Coil	LS-66
L3	Coil	LS-171
L4	Coil	S4 101k
L5	Coil	LS-209
L6	Coil	LS-291
L7	Coil	LS-291
L8	Coil	LS-291
L9	Coil	LA-235
L10	Coil	LB-50A

SECTION 12 OPTIONAL UNITS

12 - 1 UT-28, UT-29 OPTIONS

UT-28 DIGITAL CODE SQUELCH UNIT

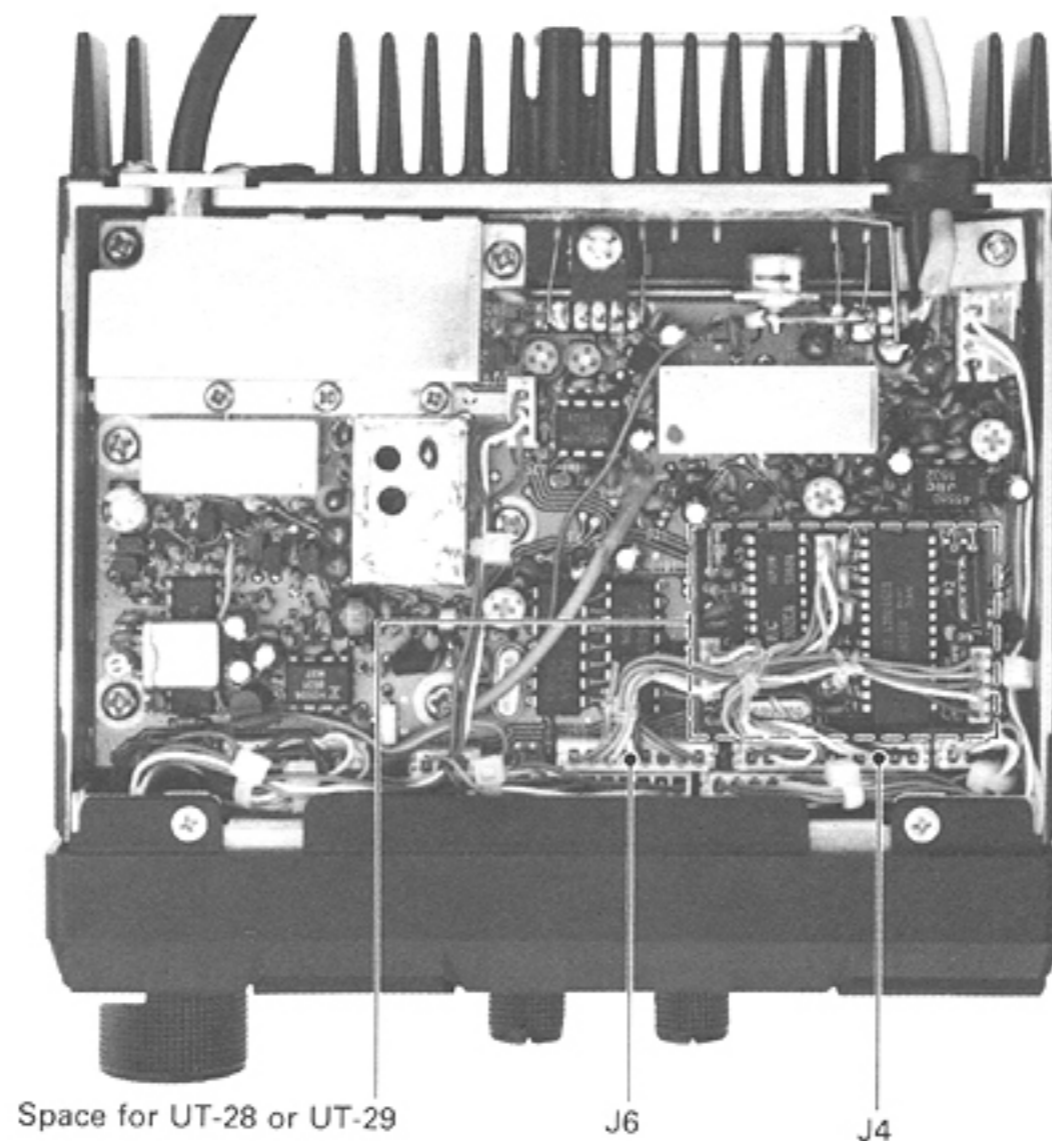


UT-29 TONE SQUELCH UNIT



INSTALLATION PROCEDURE

Installation location on MAIN UNIT for UT-28 and UT-29.



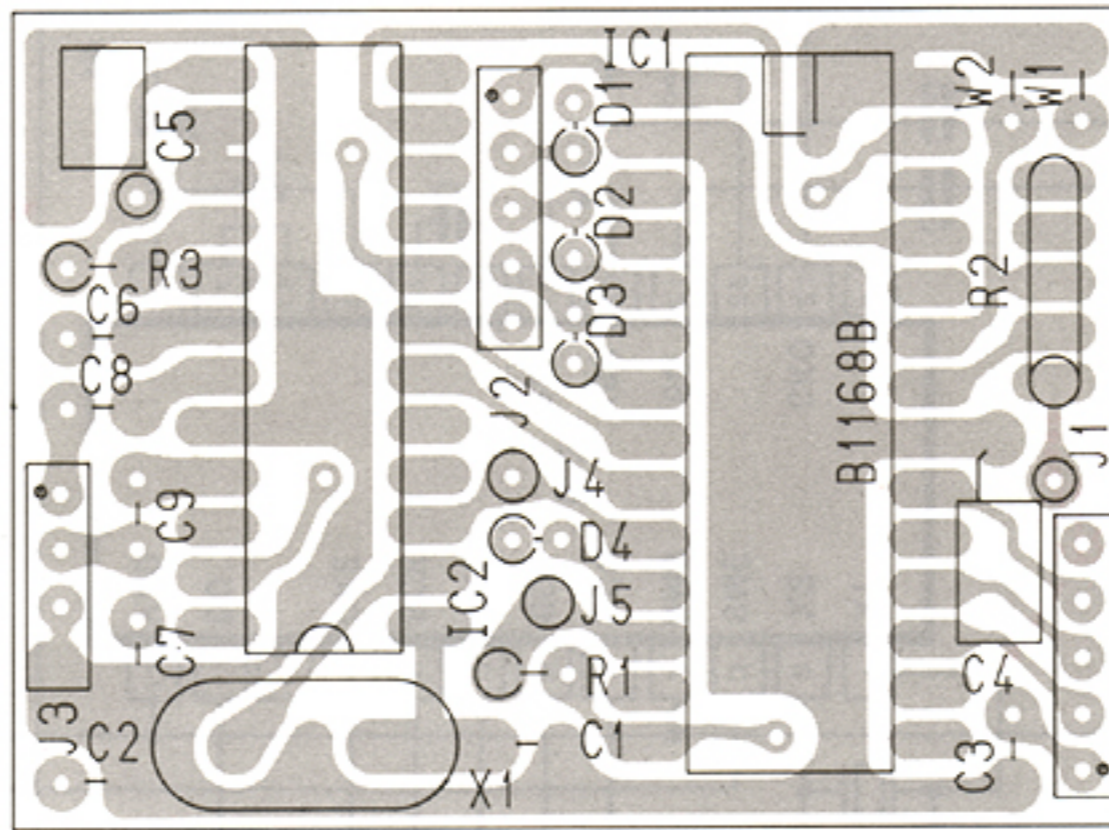
NOTE: Unplug the power cable before performing any work on the transceiver.

1. Unscrew the two cover screws on the rear panel and remove the top cover.
2. Connect the 10-pin and 8-pin plugs to J4 and J6 on the MAIN UNIT of the IC-28A/E/H.

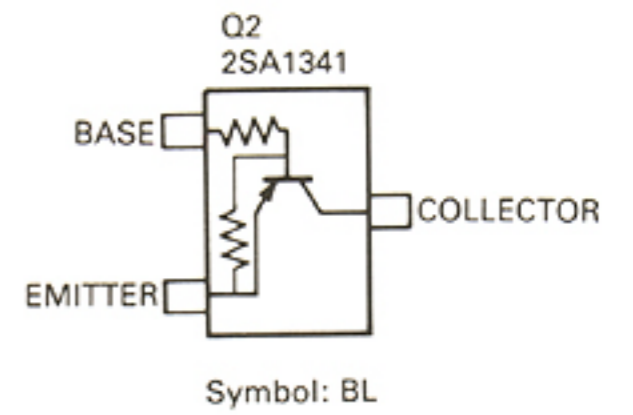
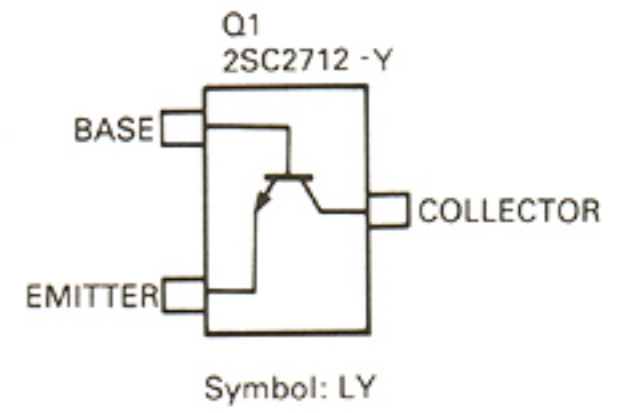
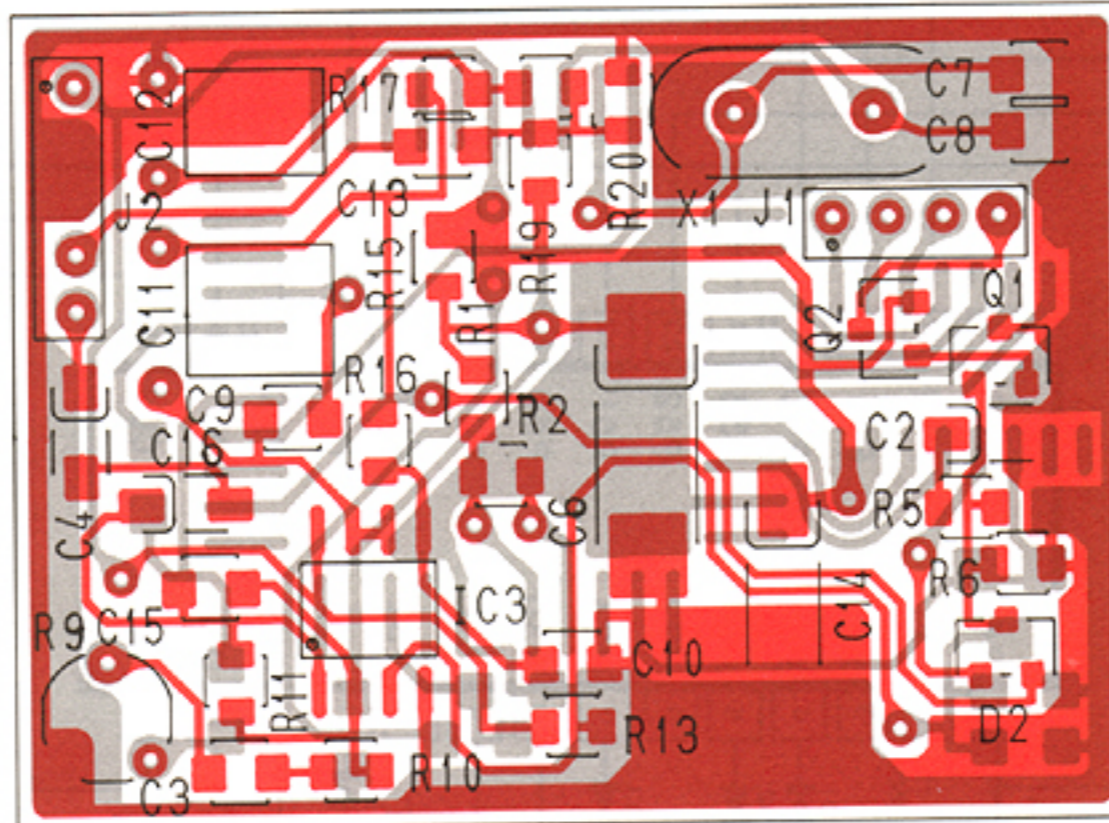
3. Install the unit in the spot shown in the photo above.
 - Adhesive tape is applied to the sponge on the back of the unit, so remove this in order to install the unit properly.
4. Re-attach the cover to the transceiver.

12 - 2 UT-28, UT-29 BOARD LAYOUTS

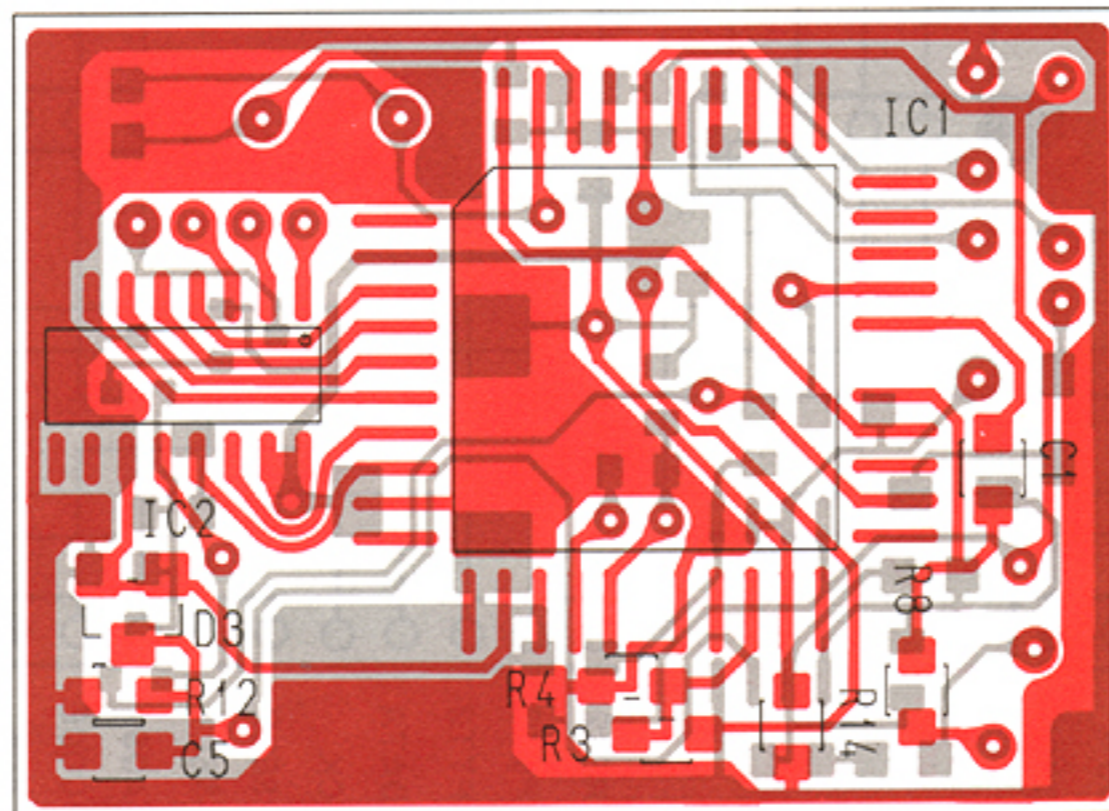
UT-28



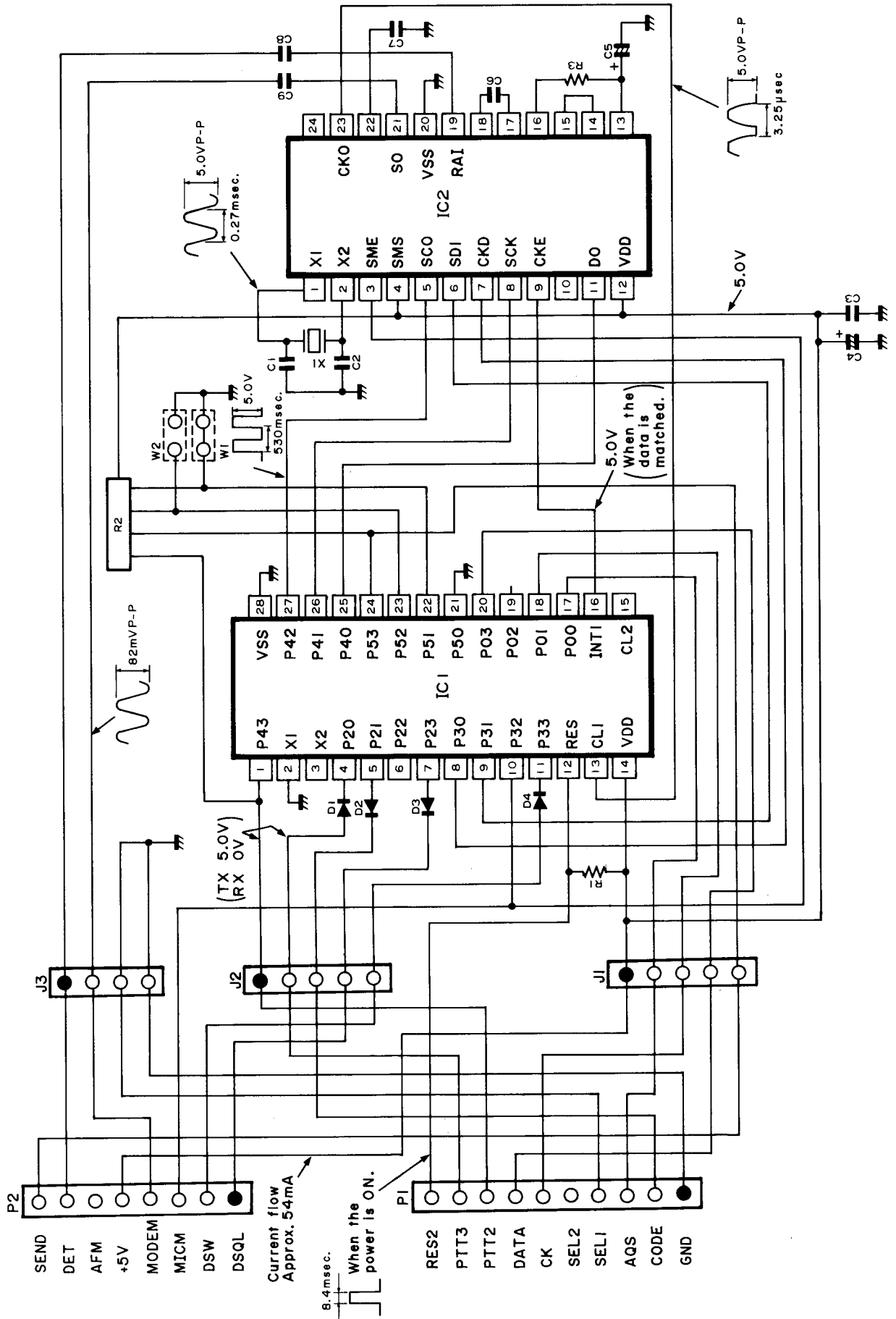
UT-29
(Top View)



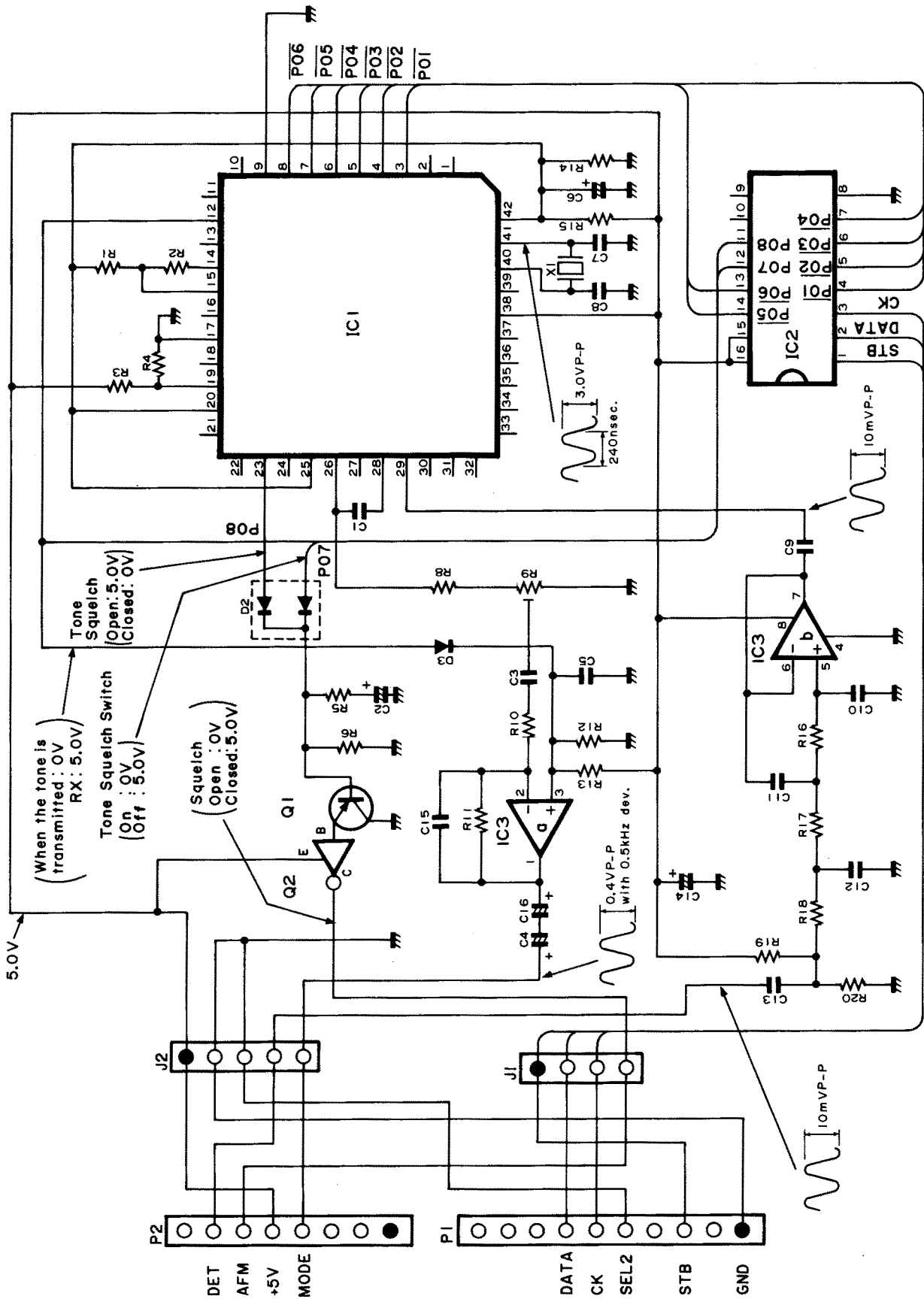
UT-29
(Bottom View)



12 - 3 UT-28 VOLTAGE/CIRCUIT DIAGRAM



12 - 4 UT-29 VOLTAGE/CIRCUIT DIAGRAM



12 - 5 UT-28, UT-29 PARTS LIST

UT-28 DIGITAL SQUELCH UNIT

REF. NO.	DESCRIPTION	TYPE (PART NO.)	
IC1	IC	μPD7507SCT-217	
IC2	IC	μPD6302CA	
D1	Diode	1SS133	
D2	Diode	1SS133	
D3	Diode	1SS133	
D4	Diode	1SS133	
X1	Crystal	FABNKD00	
R1	Resistor	27k	ELR20
R2	Array	RNSA05S473J	
R3	Resistor	27k	ELR20
C1	Ceramic	33P	50V
C2	Ceramic	33P	50V
C3	Monolithic	D33Y5V1E104Z21	
C4	Electrolytic	4.7	25V MS5
C5	Electrolytic	4.7	25V MS5
C6	Barrier	0.01	25V
C7	Monolithic	D33Y5V1E104Z21	
C8	Monolithic	D33Y5V1E104Z21	
C9	Monolithic	D33Y5V1E104Z21	
J1	Connector	PD09-05M	
J2	Connector	PD09-05M	
J3	Connector	PD09-04M	
P1	Connector	EHR-10	
P2	Connector	EHR-08	
EP1	P.C.B.	B-1168A	

UT-29 TONE SQUELCH UNIT

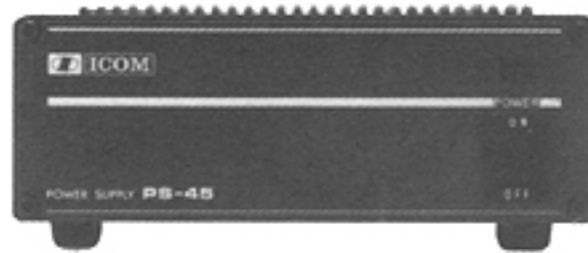
REF. NO.	DESCRIPTION	TYPE (PART NO.)	
IC1	IC	MN6520	
IC2	IC	μPD4094BG	
IC3	IC	NJM4558M	
Q1	Transistor	2SC2712-Y	
Q2	Transistor	2SA1341	
D2	Diode	1SS184	
D3	Diode	1SS193	
X1	Crystal	4.194304M FACNKD00	
R1	Chip	2.2k	MCR10
R2	Chip	150k	MCR10
R3	Chip	10k	MCR10
R4	Chip	15k	MCR10
R5	Chip	10k	MCR10
R6	Chip	470k	MCR10
R8	Chip	4.7k	MCR10
R9	Trimmer	10k	RH0521C14J08A
R10	Chip	180k	MCR10
R11	Chip	820k	MCR10
R12	Chip	100k	MCR10
R13	Chip	100k	MCR10
R14	Chip	10k	MCR10
R15	Chip	10k	MCR10
R16	Chip	330k	MCR10
R17	Chip	330k	MCR10
R18	Chip	330k	MCR10
R19	Chip	1M	MCR10
R20	Chip	1M	MCR10
C1	Monolithic	0.1	GRM40 F
C2	Tantalum	1μ	SVA1C105M
C3	Monolithic	0.1	GRM40 F
C4	Tantalum	1μ	SVA1C105M
C5	Monolithic	0.1	GRM40 F
C6	Tantalum	68μ	SVD0G686M
C7	Monolithic	18P	GRM40
C8	Monolithic	18P	GRM40
C9	Monolithic	0.1	GRM40 F
C10	Monolithic	82P	GRM40
C11	Mylar	0.039	50V
C12	Mylar	0.0047	50V
C13	Monolithic	0.1	GRM40 F
C14	Tantalum	10μ	SVC1C106M
C15	Monolithic	270P	GRM40
C16	Tantalum	1μ	SVA1C105M
J1	Connector	PD09A-04M	
J2	Connector	PD09A-05M	
P1	Connector	EHR-10	
P2	Connector	EHR-08	
EP1	P.C.B.	B-1197A	

12 - 6 OTHER OPTIONAL UNITS

Part of the tremendous versatility in the IC-28A/E/H is its adaptability to base station use when not being used as a mobile unit.

The following recommended options will help complement your new base station system.

PS-45 POWER SUPPLY (For use with the IC-28A/E)



The OPC-102 INTERFACE CABLE for connecting the PS-45 to the IC-28A/E must be purchased separately.

IC-PS30 AC POWER SUPPLY (For use with the IC-28H)



SP-7 EXTERNAL SPEAKER

- Compact, easily installed in a variety of locations
- Adjustable, light-weight stand



SP-10 EXTERNAL SPEAKER

- Adjustable stand for multi-directional audio output
- Excellent also for mobile use



SM-8 DESK MICROPHONE

- Electret condenser type mic element
- UP/DOWN function switches
- Tone control
- HIGH/LOW mic output selectability



SM-10 COMPRESSOR/GRAPHIC EQUALIZER DESK TOP MICROPHONE

- Electret condenser mic element
- Compressor amplifier
- Tunable equalizer
- Level meter and Output level control
- UP/DOWN function switches



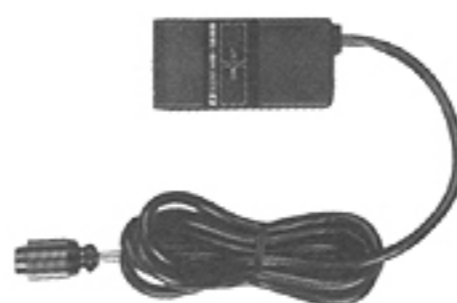
AND FOR MOBILE USE: HS-15 MOBILE FLEXIBLE MICROPHONE

- Uni-directional mic
- Flexible neck
- Light, convenient for driving ease



HS-15SB SWITCHBOX

- Connects to the HS-15

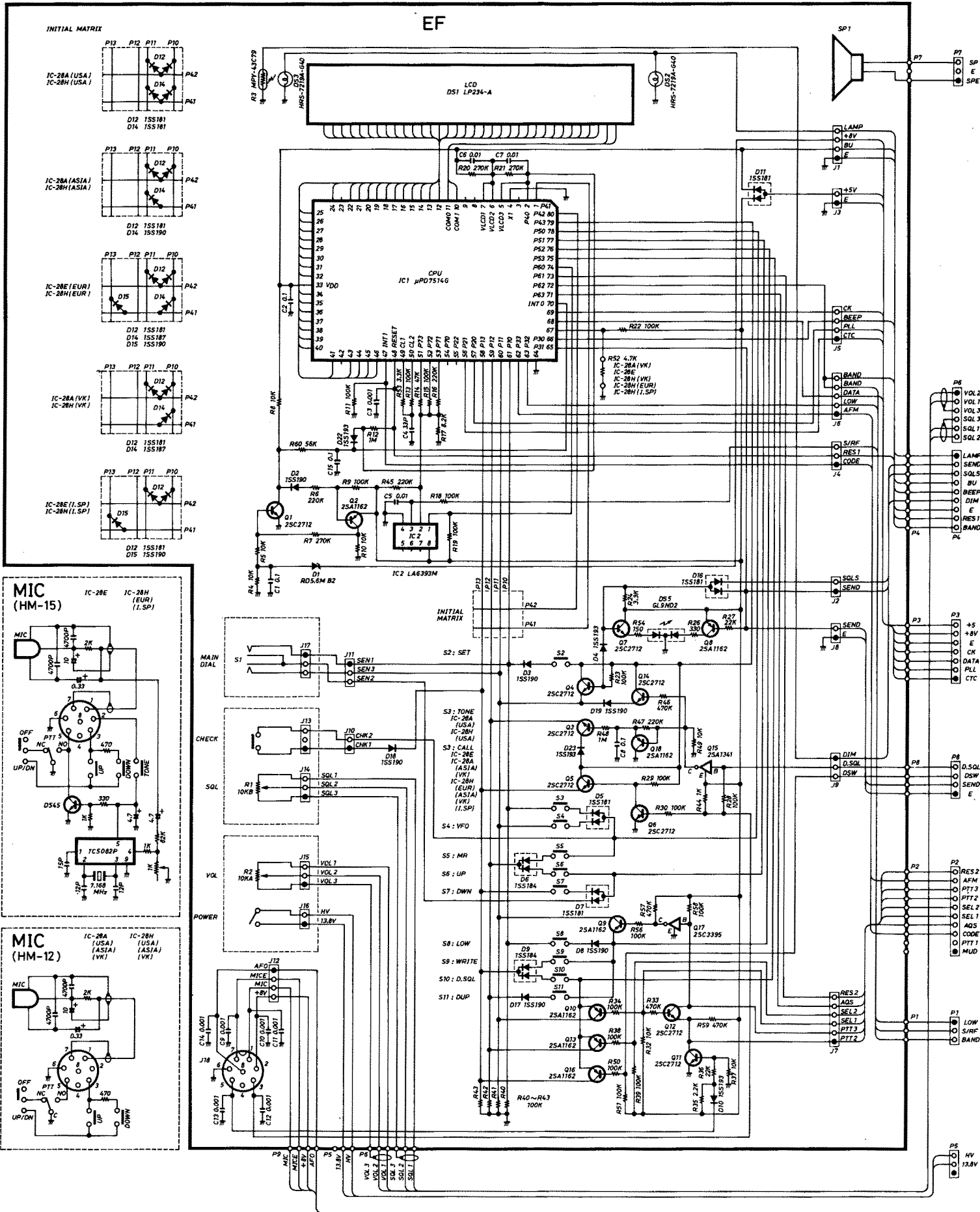


SP-8 EXTERNAL MOBILE SPEAKER

- Compact, easily attachable to your sun visor or dashboard



IC-28A/E/H SCHEMATIC DIAG



DIAGRAM

