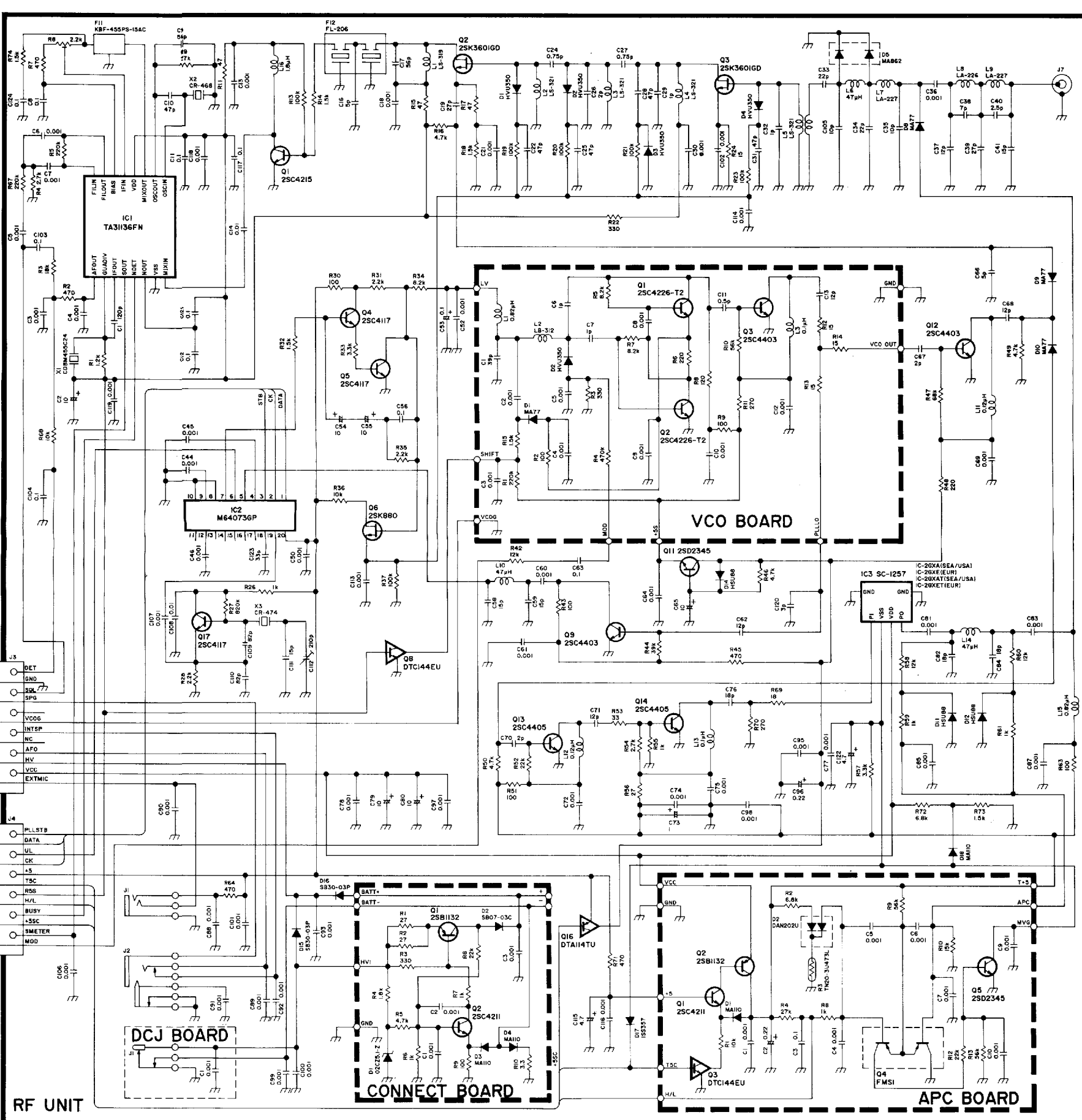
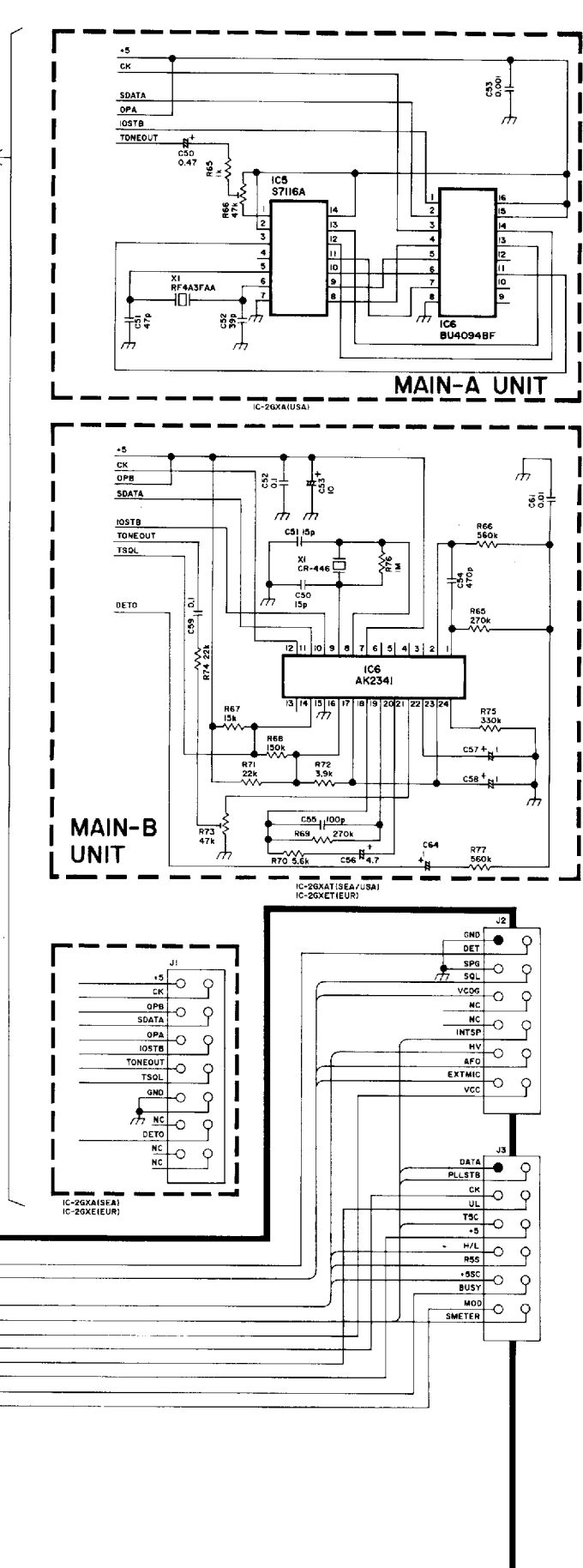
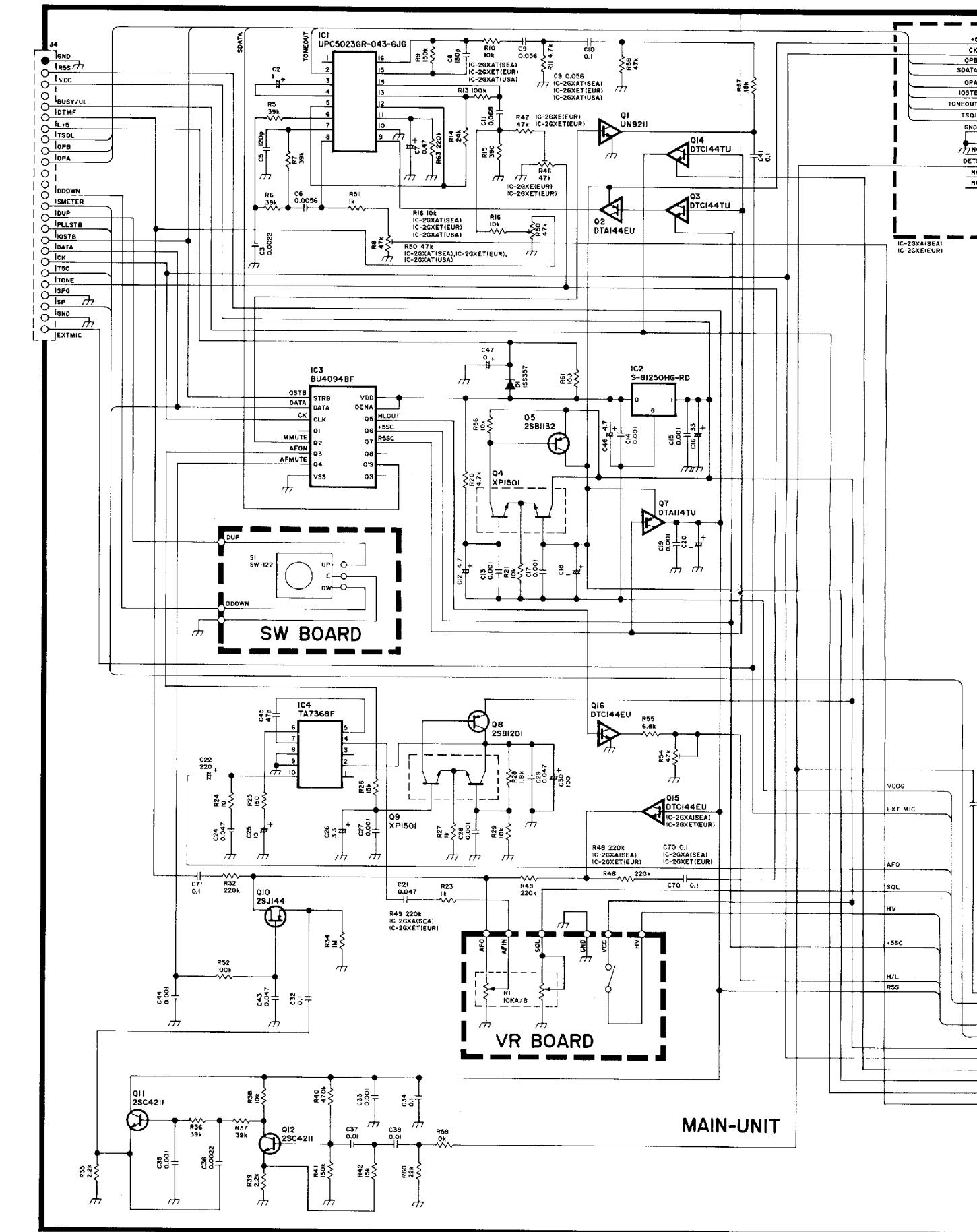
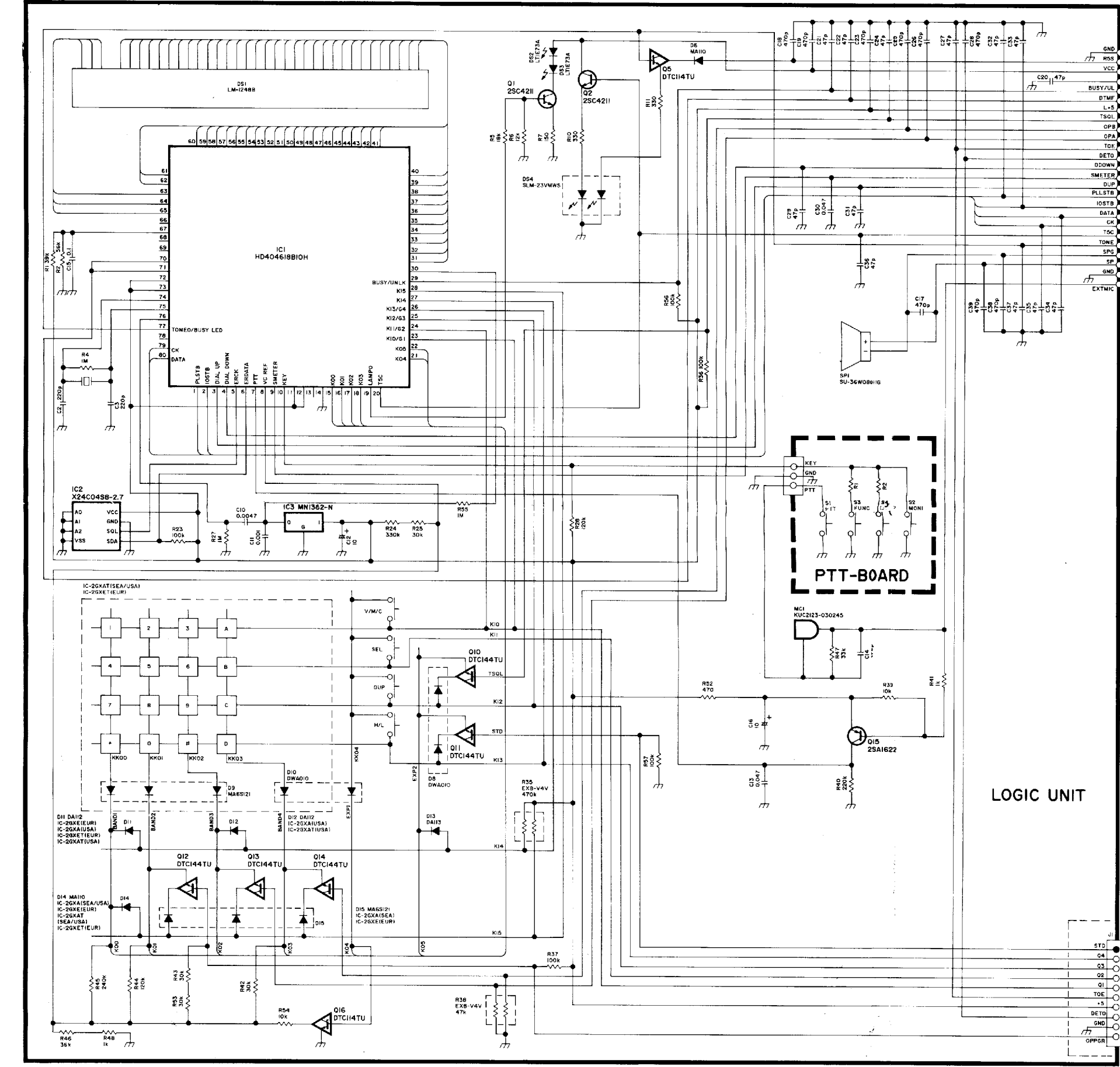
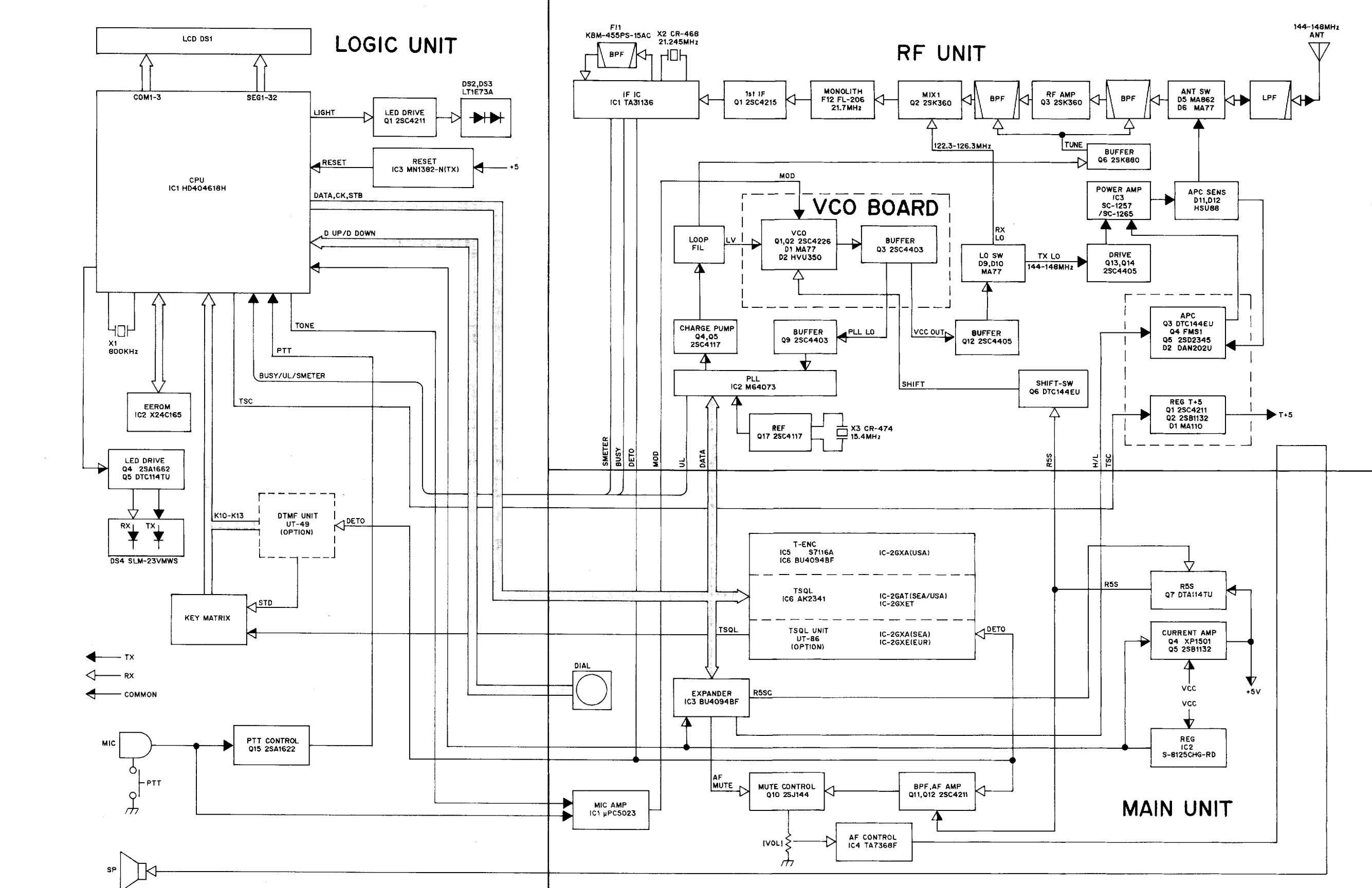


# ICOM IC-2GXA IC-2GXE IC-2GXAT IC-2GXET SCHEMATIC DIAGRAM

## BLOCK DIAGRAM



To upgrade quality, some components may be subject to change without notice.

A-5263S-2EX  
Printed in Japan  
Copyright © 1993 by Icom Inc.

Icom Inc.