



# SERVICE MANUAL

## IC-375A

220 MHz ALL MODE TRANSCEIVER

ICOM INCORPORATED

## SCOPE OF THE SERVICE MANUAL

This service manual covers all service information related to the theoretical, physical, mechanical and electrical characteristics of the **IC-375A** 220 MHz ALL MODE TRANSCEIVER.



## ASSISTANCE

If you require assistance or further information regarding the operation, capability and servicing of the **IC-375A**, contact your nearest authorized ICOM Dealer or ICOM Service Center. Addresses are provided on the inside back cover for your convenience.

## ORDERING REPLACEMENT PARTS

For faster, more efficient service include the following points when ordering parts or requesting information from your ICOM Service Center.

1. Equipment model and serial number
2. Schematic part identifier or service manual page number
3. Unit name and printed circuit board number (e.g., PA UNIT/B1419B)
4. Component part number and name (e.g., 2SD359 Transistor)
5. Quantity required (e.g., 10 pcs)

## TABLE OF CONTENTS

<b>SECTION</b>	<b>1</b>	<b>SPECIFICATIONS</b> .....	<b>1 - 1</b>
<b>SECTION</b>	<b>2</b>	<b>OUTSIDE AND INSIDE VIEWS</b> .....	<b>2 - 1 ~ 5</b>
	2-1	OUTSIDE VIEWS .....	2 - 1
	2-2	INSIDE VIEWS .....	2 - 4
<b>SECTION</b>	<b>3</b>	<b>BLOCK DIAGRAMS</b> .....	<b>3 - 1</b>
<b>SECTION</b>	<b>4</b>	<b>CIRCUIT DESCRIPTION</b> .....	<b>4 - 1 ~ 13</b>
	4-1	RECEIVER CIRCUITS .....	4 - 1
	4-2	TRANSMITTER CIRCUITS .....	4 - 3
	4-3	STANDBY CONTROL CIRCUIT .....	4 - 5
	4-4	PLL CIRCUITS .....	4 - 5
	4-5	LOGIC CIRCUITS .....	4 - 8
	4-6	SWITCHING REGULATOR CIRCUIT .....	4 - 13
<b>SECTION</b>	<b>5</b>	<b>MECHANICAL PARTS AND DISASSEMBLY</b> .....	<b>5 - 1 ~ 6</b>
	5-1	FRAME DISASSEMBLY .....	5 - 1
	5-2	FRONT PANEL DISASSEMBLY .....	5 - 2
	5-3	REAR PANEL DISASSEMBLY .....	5 - 3
	5-4	FRONT, LOGIC AND PLL UNITS CONNECTOR ASSEMBLY .....	5 - 4
	5-5	FRONT, MAIN AND RF YGR UNITS CONNECTOR ASSEMBLY .....	5 - 5
	5-6	PA AND REG UNITS CONNECTOR ASSEMBLY .....	5 - 6
<b>SECTION</b>	<b>6</b>	<b>MAINTENANCE AND ADJUSTMENT</b> .....	<b>6 - 1 ~ 15</b>
	6-1	PREPARATION BEFORE SERVICING .....	6 - 1
	6-2	PLL ADJUSTMENT .....	6 - 2
	6-3	FREQUENCY ADJUSTMENT .....	6 - 4
	6-4	RECEIVER ADJUSTMENT .....	6 - 6
	6-5	TRANSMITTER ADJUSTMENT .....	6 - 10
<b>SECTION</b>	<b>7</b>	<b>BOARD LAYOUTS</b> .....	<b>7 - 1 ~ 15</b>
	7-1	FRONT UNITS (1) .....	7 - 1
	7-2	FRONT UNITS (2) .....	7 - 2
	7-3	LOGIC AND SENSOR UNITS .....	7 - 4
	7-4	PLL AND DDS UNITS .....	7 - 6
	7-5	MAIN UNIT .....	7 - 8
	7-6	PA UNIT .....	7 - 10
	7-7	RF YGR UNIT .....	7 - 12
	7-8	REG UNIT .....	7 - 14
<b>SECTION</b>	<b>8</b>	<b>VOLTAGE DIAGRAMS</b> .....	<b>8 - 1 ~ 6</b>
	8-1	FRONT UNIT .....	8 - 1
	8-2	LOGIC UNIT .....	8 - 2
	8-3	PLL UNIT .....	8 - 3
	8-4	MAIN UNIT .....	8 - 4
	8-5	REG AND PA UNITS .....	8 - 5
	8-6	RF YGR UNIT .....	8 - 6
<b>SECTION</b>	<b>9</b>	<b>PARTS LIST</b> .....	<b>9 - 1 ~ 17</b>

The SCHEMATIC DIAGRAM is attached at the end of this service manual.

# SECTION 1 SPECIFICATIONS

## GENERAL

- Frequency coverage : 216.0000~236.0000MHz  
Specifications guaranteed from 220.0000 to 225.0000 MHz
- Number of memory channels : 99 channels plus P1, P2 and CALL CHANNEL
- Antenna impedance : 50Ω unbalanced
- Frequency stability : ±5ppm (0°C~+50°C)
- Power supply requirement : 117V AC±10%
- Current drain (at 13.8V DC) : Transmitting At 25W output Approx. 7.0A  
At 2.5W output Approx. 3.5A  
Receiving At maximum audio output Approx. 1.3A  
Squelched Approx. 1.1A
- Dimensions : 241(244)mm(W) × 95(108)mm(H) × 239(295)mm(D)  
Bracketed values include projections.
- Weight : 6.2kg
- Usable temperature range : -10°C~+60°C

## TRANSMITTER

- Emission modes : FM (F3), SSB (A3J), CW (A1)
- RF output power : 2.5~25W continuously adjustable
- Modulation system : FM Variable reactance frequency modulation  
SSB Balanced modulation
- Maximum frequency deviation : ±5kHz (FM mode)
- Spurious output : More than 60dB below peak output power
- Carrier suppression : More than 40dB below peak output power
- Unwanted sideband : More than 40dB down with 1000Hz AF input
- Microphone impedance : 600Ω

## RECEIVER

- Receive system : Quadruple conversion superheterodyne (SSB, CW)  
Triple conversion superheterodyne (FM)
- Receive modes : FM (F3), SSB (A3J), CW (A1)
- Intermediate frequencies :

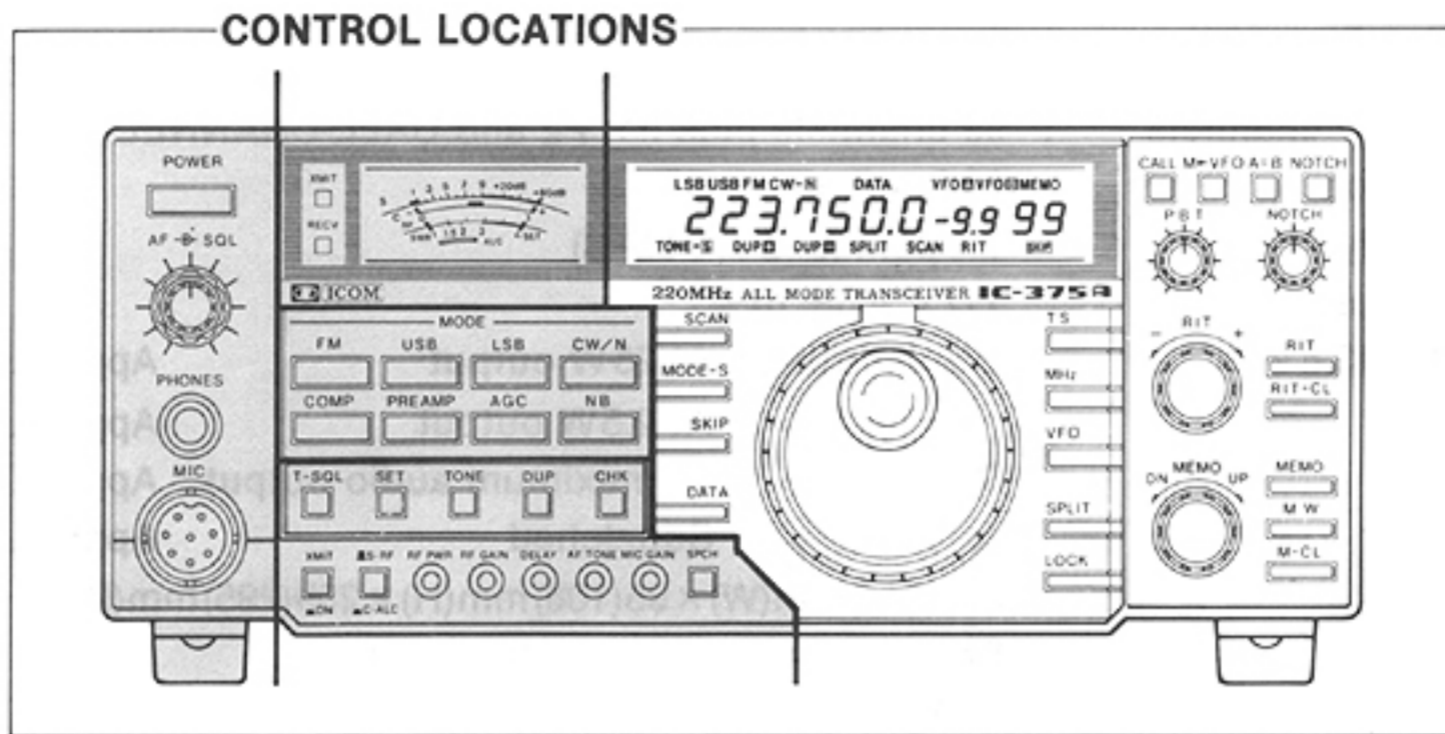
Mode	FM	SSB	CW
1st	70.4515MHz	70.4515MHz	70.4506MHz
2nd	9.0115MHz	9.0115MHz	9.0106MHz
3rd	455kHz	455kHz	455kHz
4th	—	9.0115MHz	9.0106MHz

- Sensitivity : FM Less than 0.18μV for 12dB SINAD  
Less than 0.28μV for 20dB NQL  
SSB, CW Less than 0.1μV for 10dB S/N
- Squelch sensitivity : FM Less than 0.14μV  
SSB Less than 0.56μV
- Selectivity : FM 15.0kHz/-6dB 30.0kHz/-60dB  
SSB, CW 2.3kHz/-6dB 4.0kHz/-60dB
- Spurious response rejection : More than 70dB
- Audio output impedance : 8Ω
- Audio output power : More than 2W at 10% distortion with an 8Ω load
- RIT variable range : ±9.99kHz

# SECTION 2 OUTSIDE AND INSIDE VIEWS

## 2-1 OUTSIDE VIEWS

### 2-1-1 FRONT PANEL



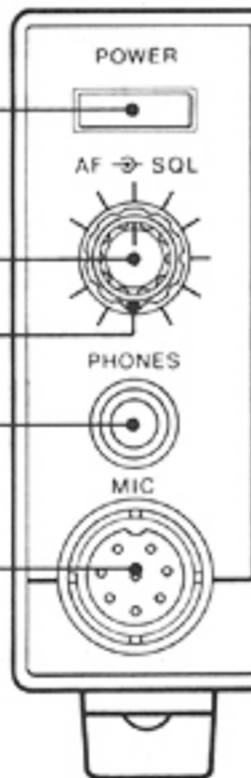
POWER SWITCH

AF GAIN CONTROL

SQUELCH CONTROL

PHONES JACK

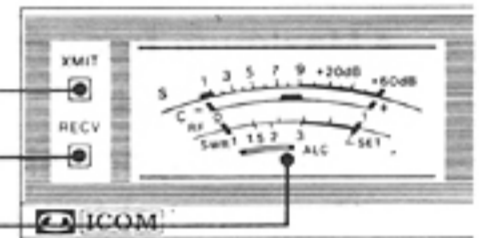
MIC CONNECTOR



TRANSMIT INDICATOR

RECEIVE INDICATOR

METER



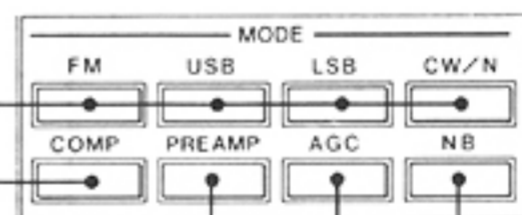
MODE SELECTOR SWITCHES

SPEECH COMPRESSOR SWITCH

PREAMP SWITCH

AGC SWITCH

NOISE BLANKER SWITCH



DUPLEX CHECK SWITCH

DUPLEX SWITCH

SUBAUDIBLE TONE SWITCH

TONE SQUELCH SWITCH

TONE SET SWITCH

TRANSMIT/RECEIVE SWITCH

METER SWITCH

RF POWER CONTROL

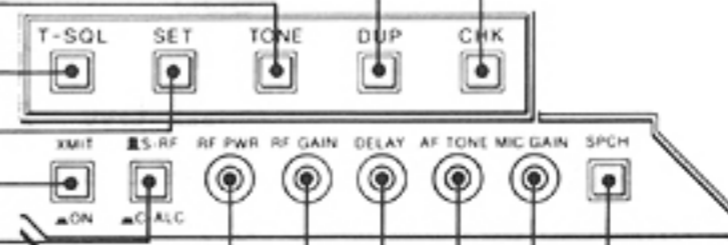
RF GAIN CONTROL

CW DELAY CONTROL

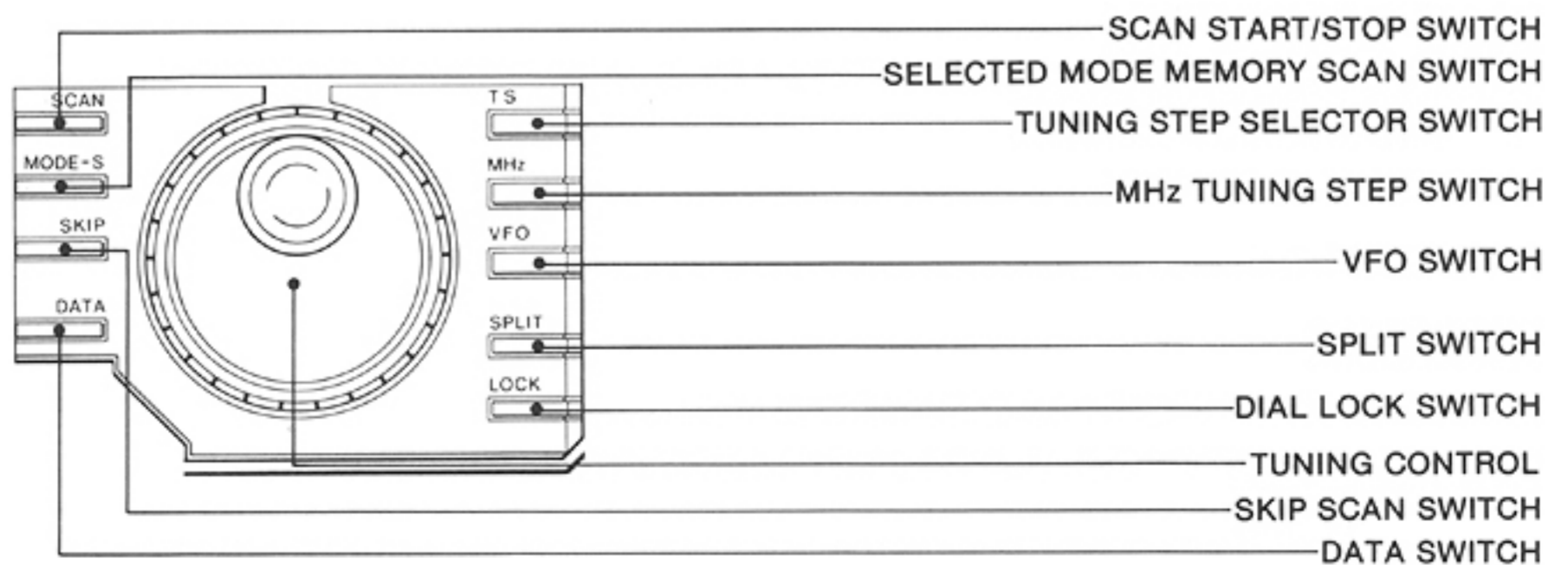
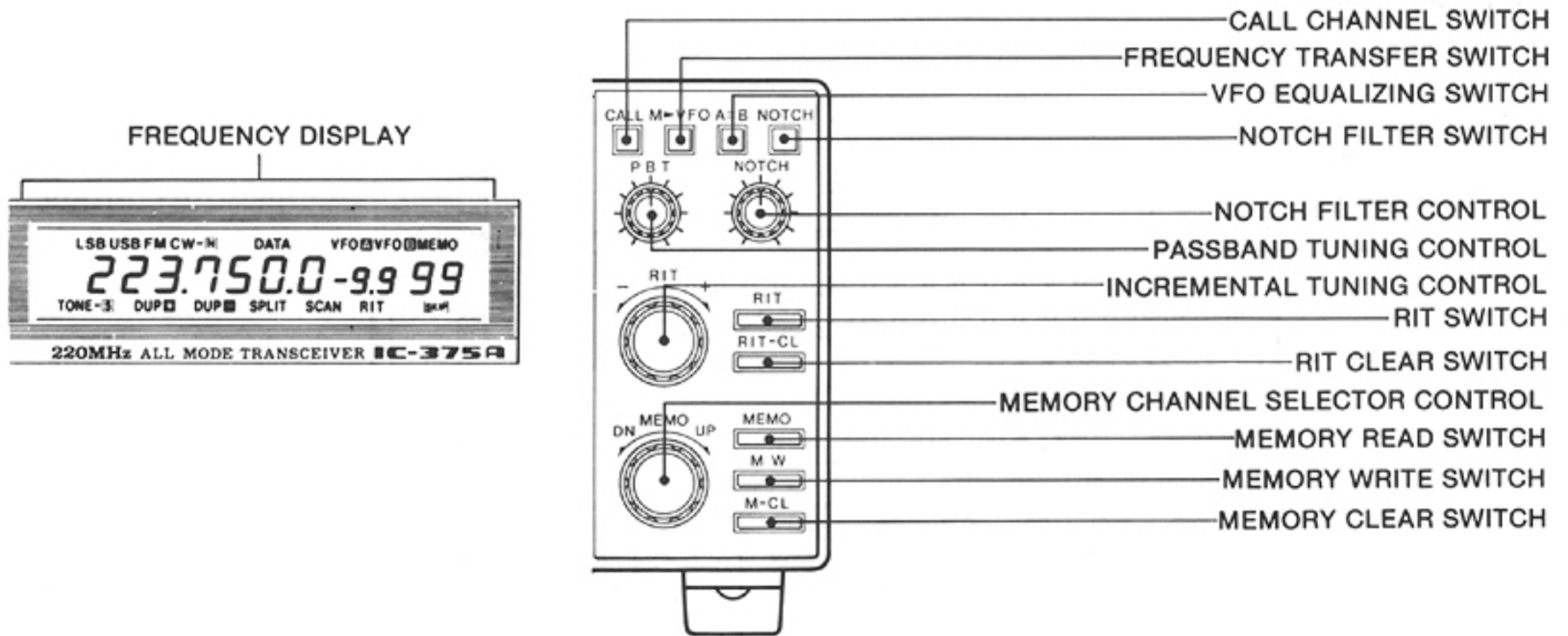
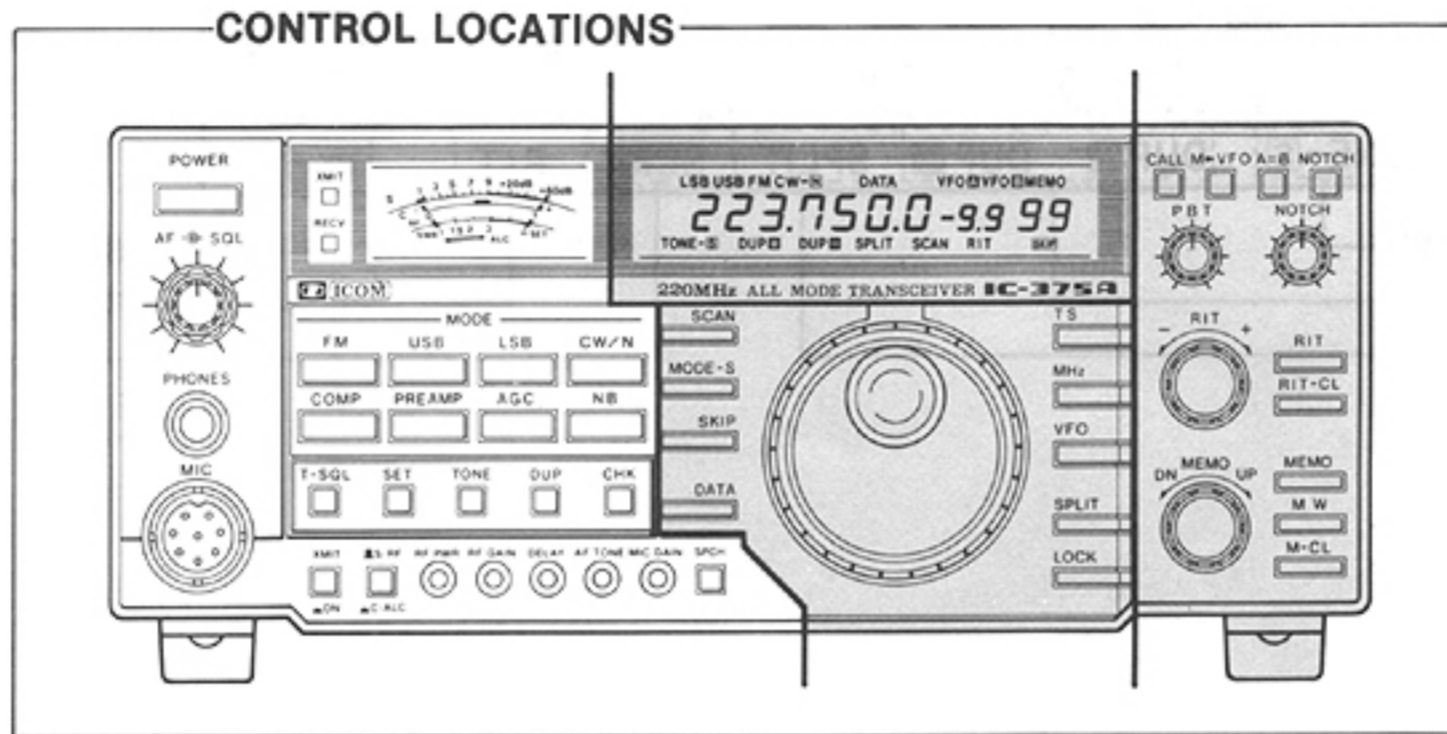
AF TONE CONTROL

MIC GAIN CONTROL

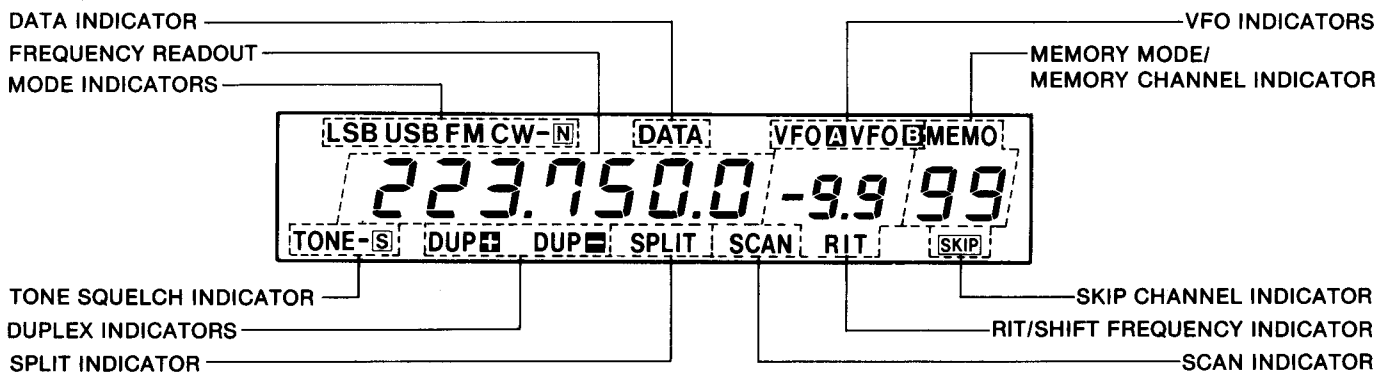
SPEECH SWITCH



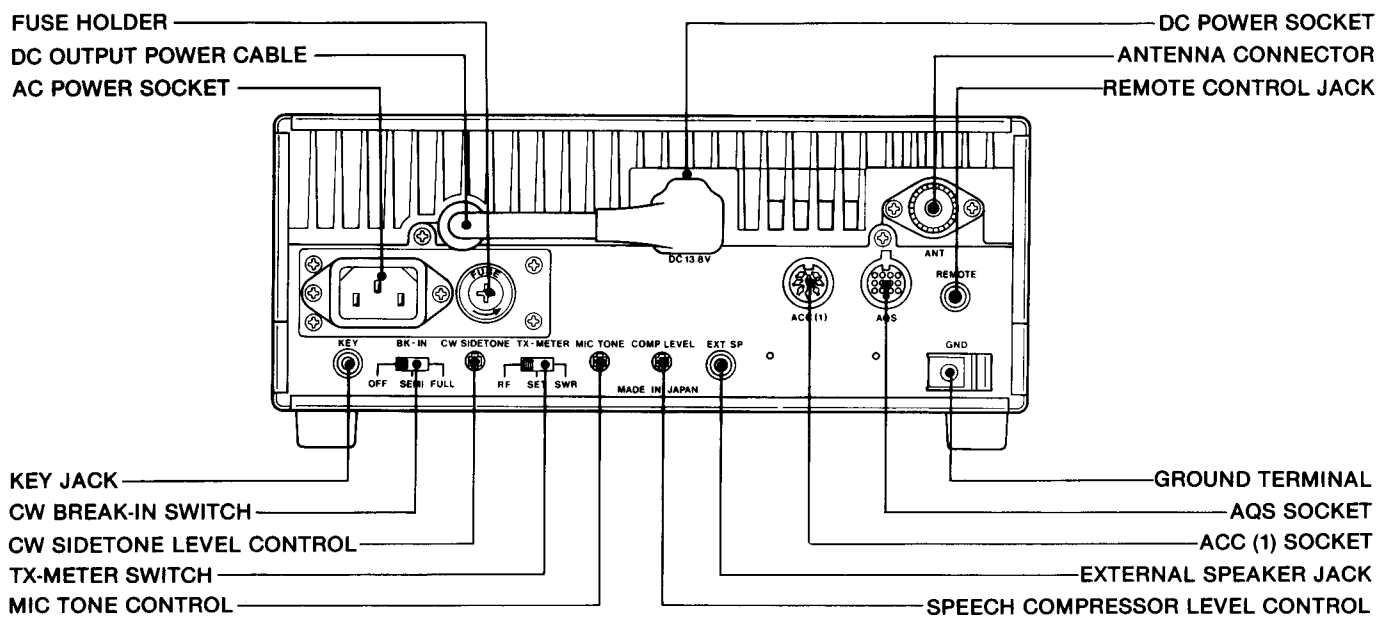
• FRONT PANEL (CONTINUED)



## 2-1-2 FREQUENCY DISPLAY

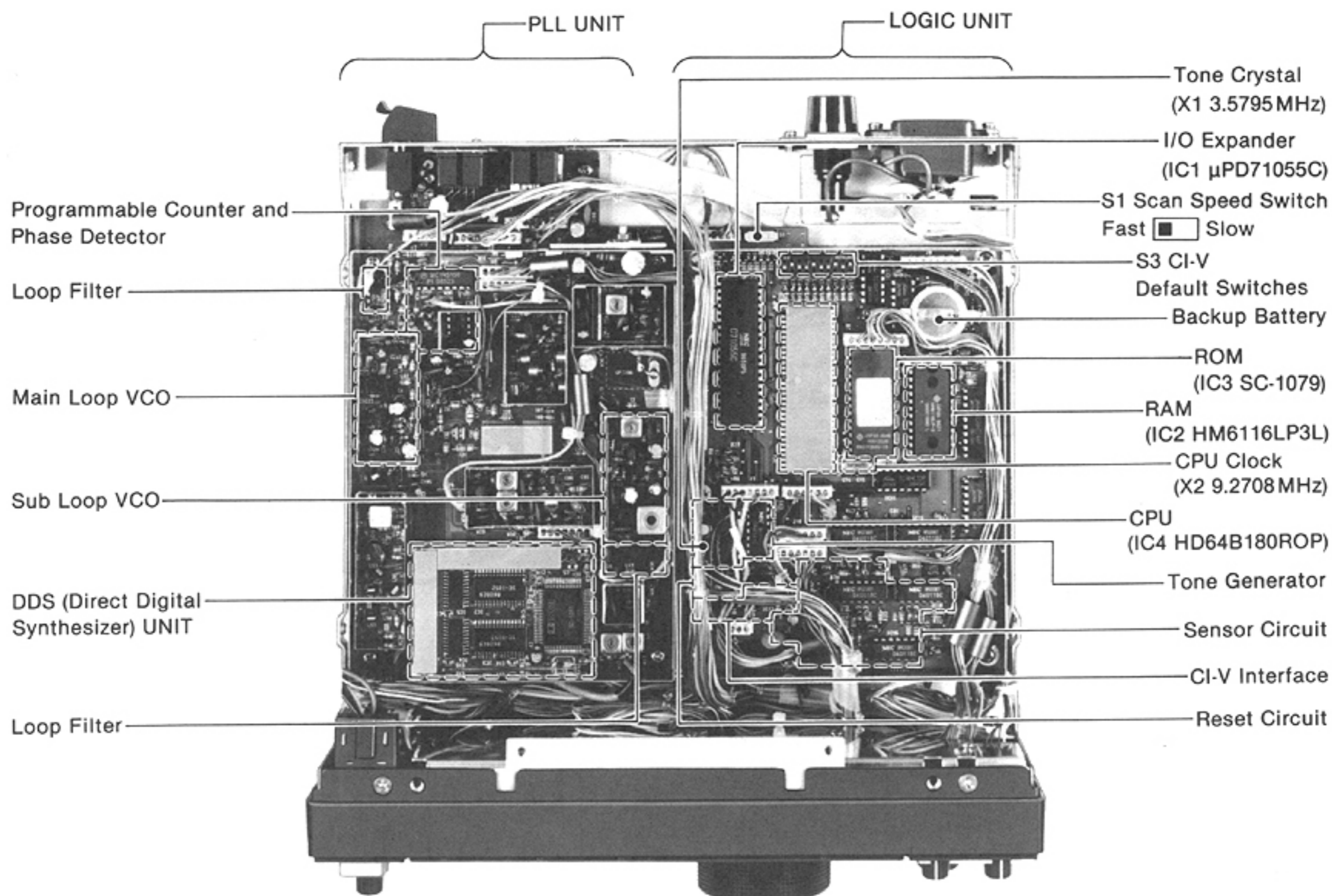


## 2-1-3 REAR PANEL

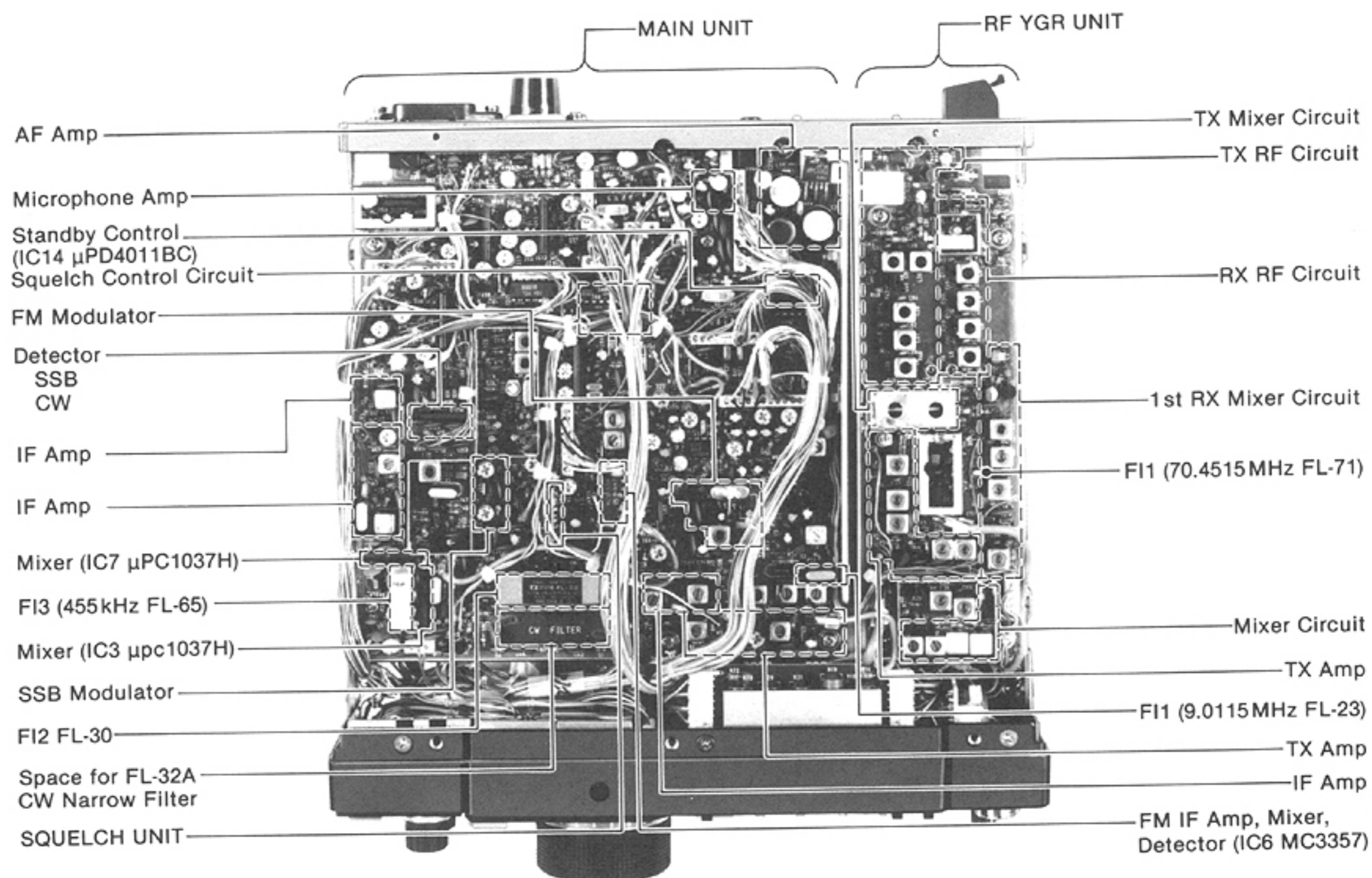


## 2-2 INSIDE VIEWS

### 2-2-1 PLL AND LOGIC UNITS

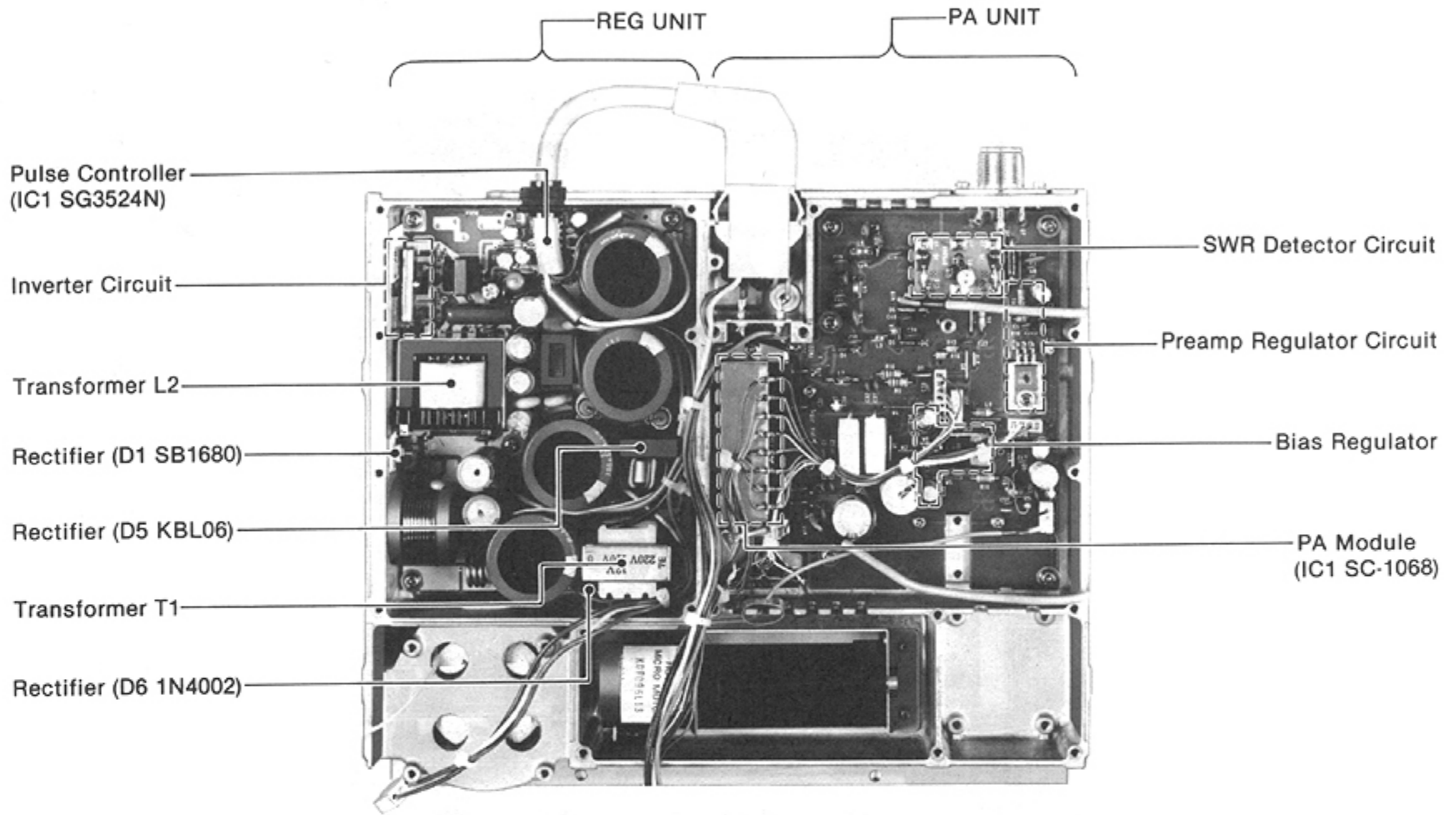


### 2-2-2 MAIN AND RF YGR UNITS



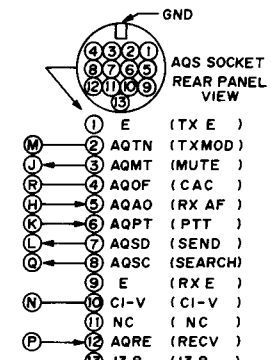
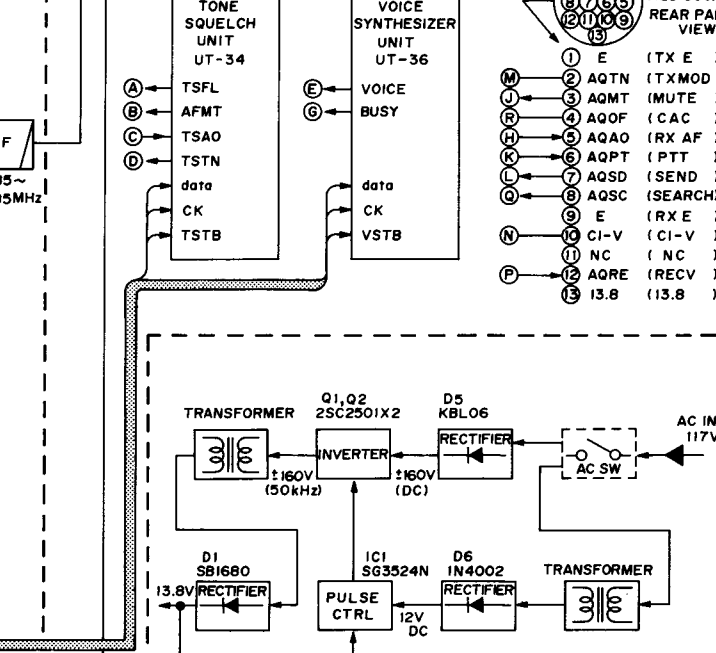
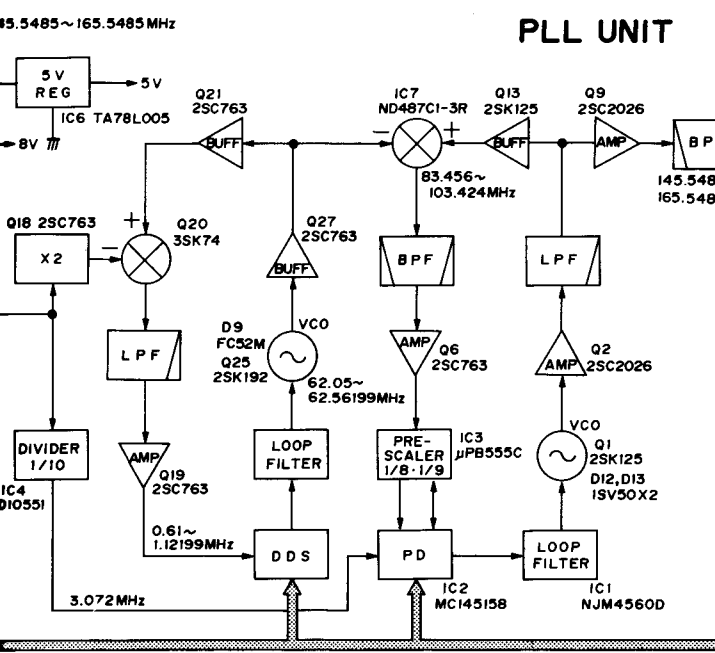
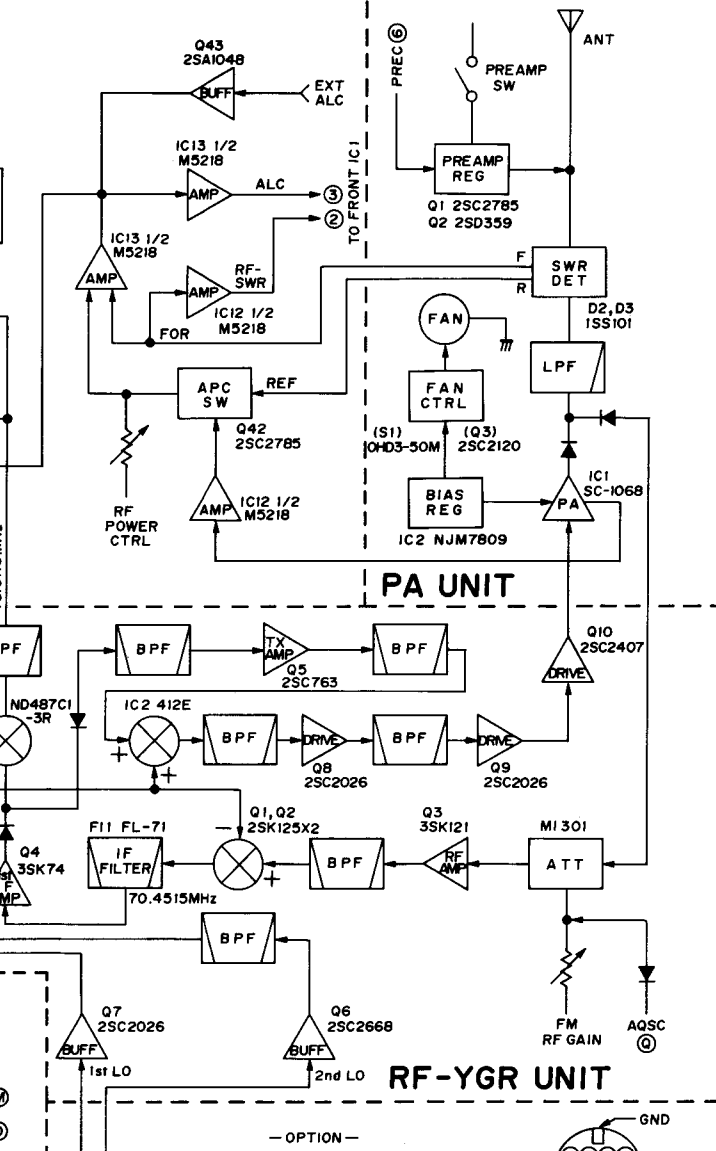
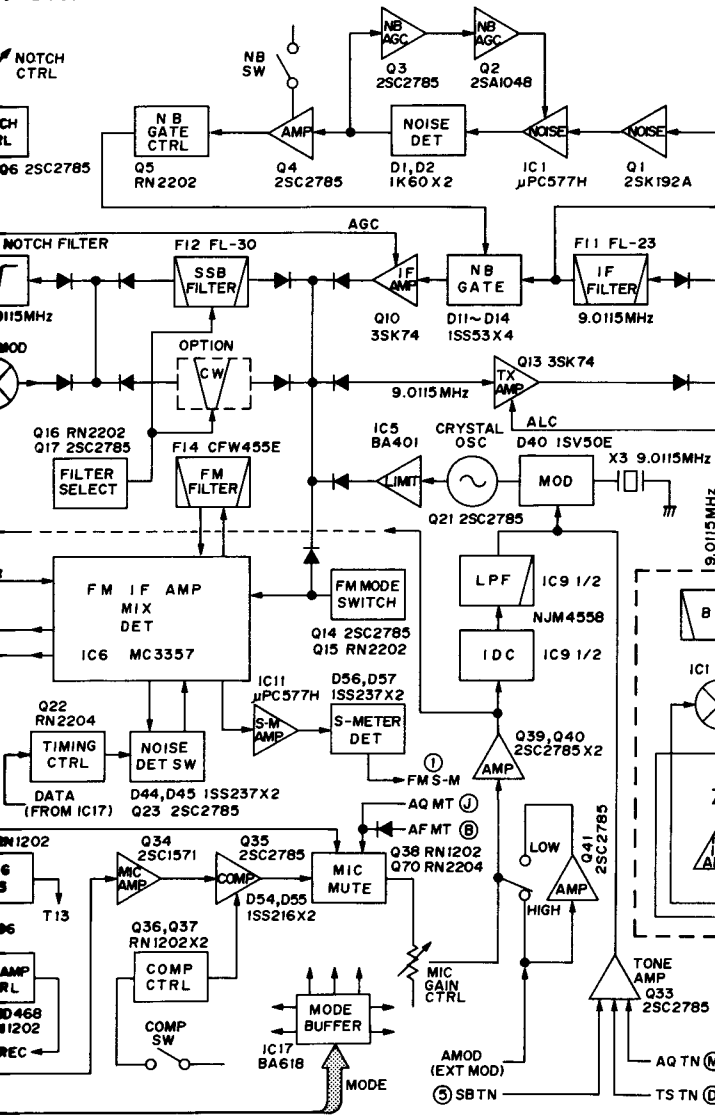


## 2-2-3 PA AND REG UNITS





# UNIT



# REG UNIT

# SECTION 4 CIRCUIT DESCRIPTION

## 4-1 RECEIVER CIRCUITS

### 4-1-1 ANTENNA~MIXER CIRCUIT

This circuitry makes IF signals from receive signals.

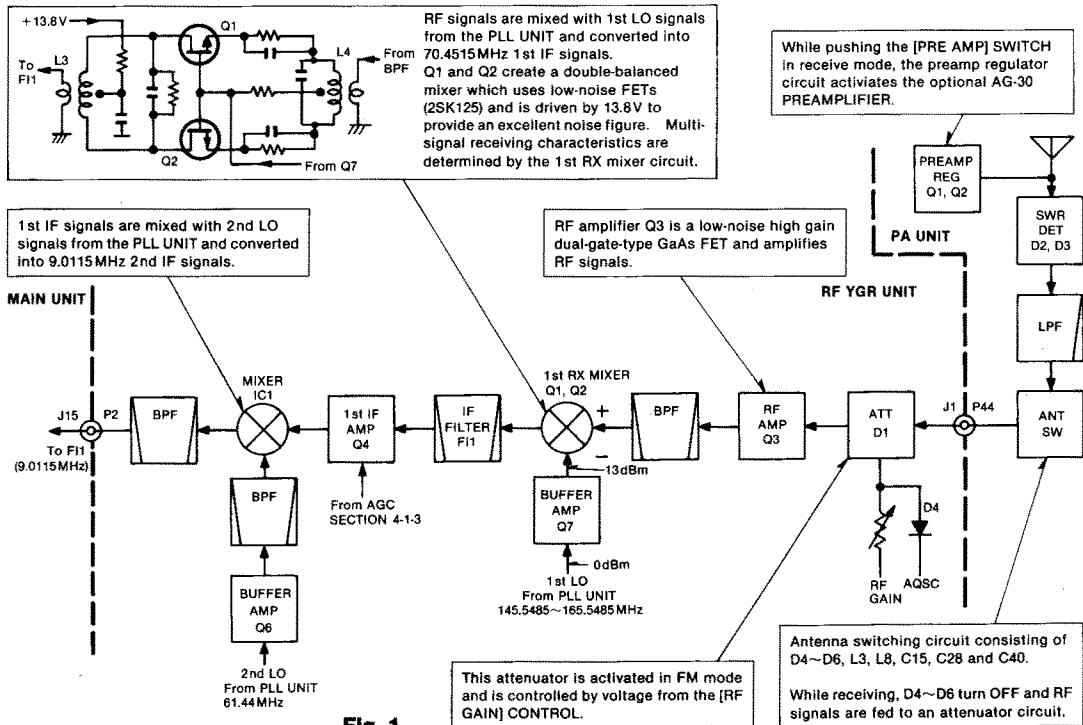


Fig. 1

### 4-1-2 NOISE BLANKER CIRCUIT~NOTCH FILTER, FM DETECTOR

This circuitry suppresses pulse-type noise from IF signals.

In FM mode, this circuitry makes AF signals from IF signals.

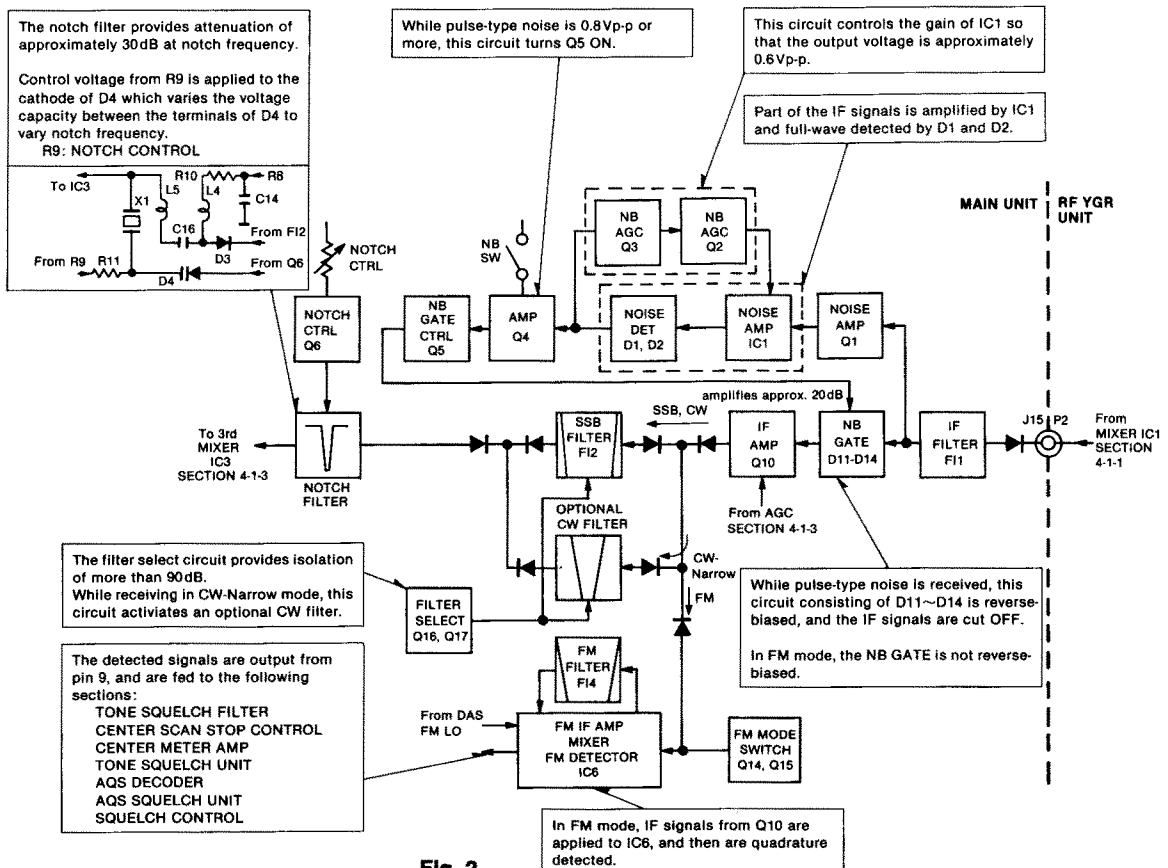


Fig. 2

### 4-1-3 3rd MIXER CIRCUIT~AF AMP

In SSB or CW mode, this circuitry makes AF signals from IF signals.  
In FM mode, AF signals from IC6 are amplified.

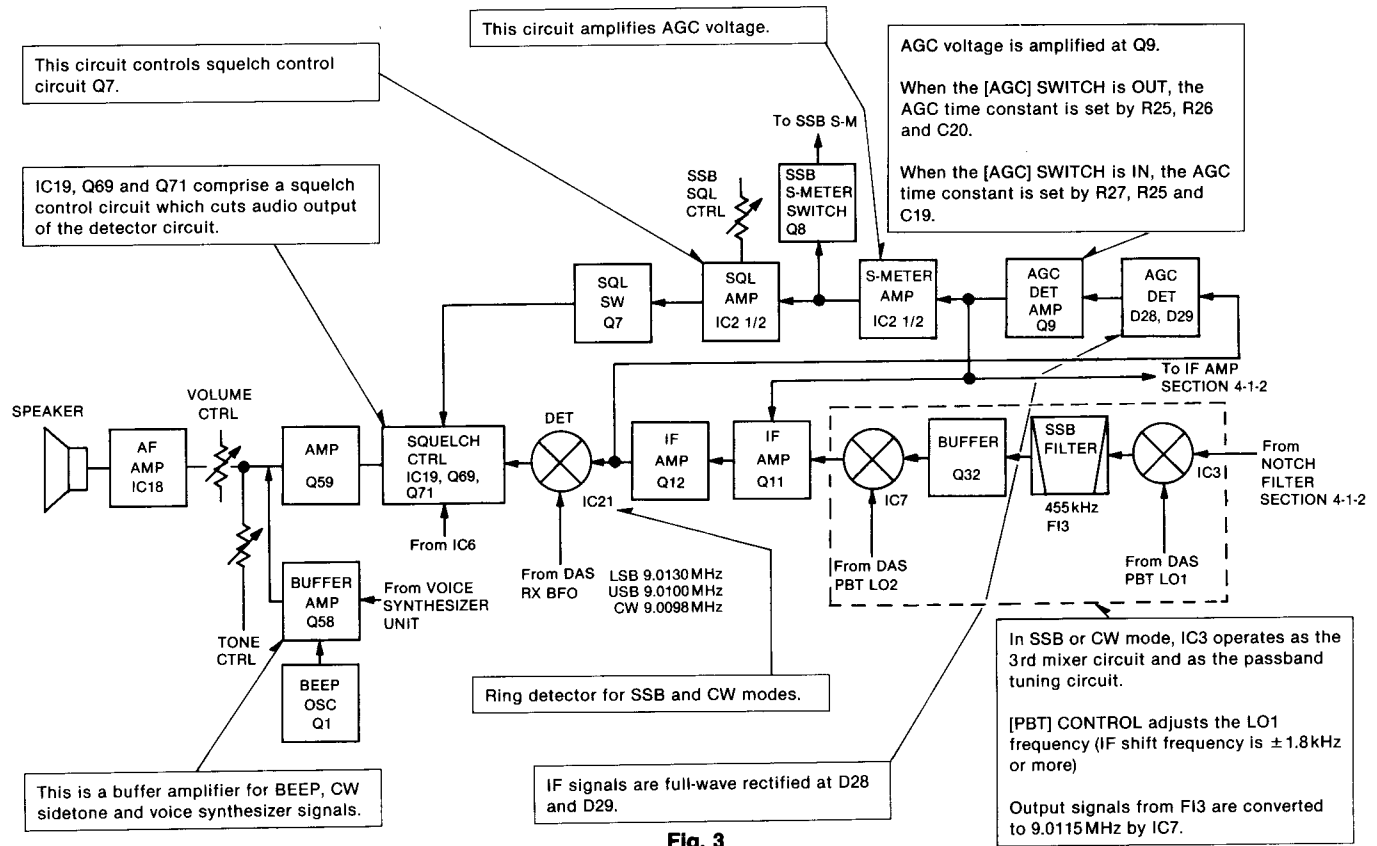


Fig. 3

### 4-1-4 FM SQUELCH, FM S-METER AND CENTER METER CIRCUITS

In FM mode, this circuitry performs as FM squelch, FM S-meter and center meter drivers.

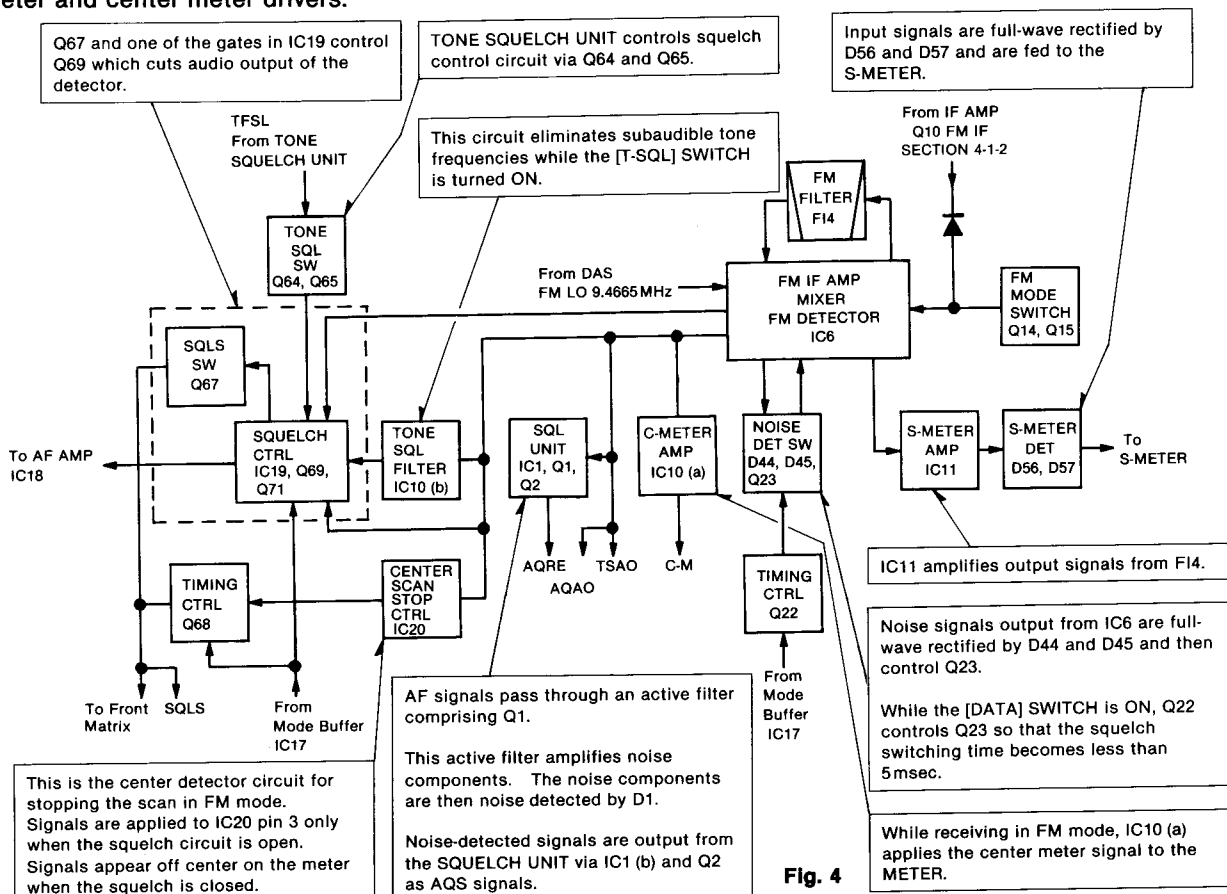


Fig. 4

## 4-2 TRANSMITTER CIRCUITS

### 4-2-1 FM, SSB MODE (MICROPHONE~FM MODULATOR, SSB FILTER)

In FM or SSB mode, this circuitry makes transmit IF signals from microphone signals.

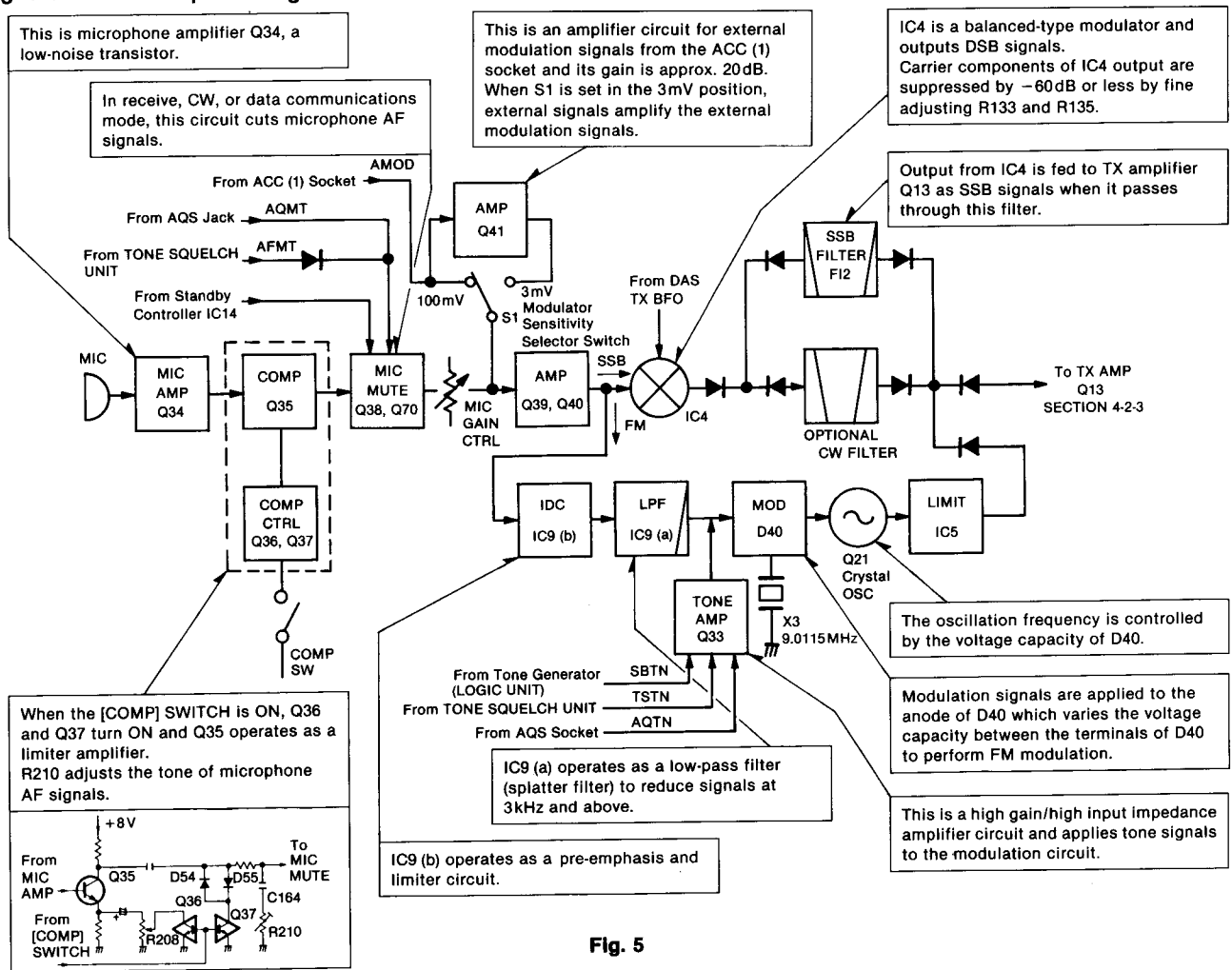


Fig. 5

### 4-2-2 CW MODE (KEY~CW FILTER, SSB FILTER)

In CW mode, this circuitry makes transmit IF signals from CW keying signals.

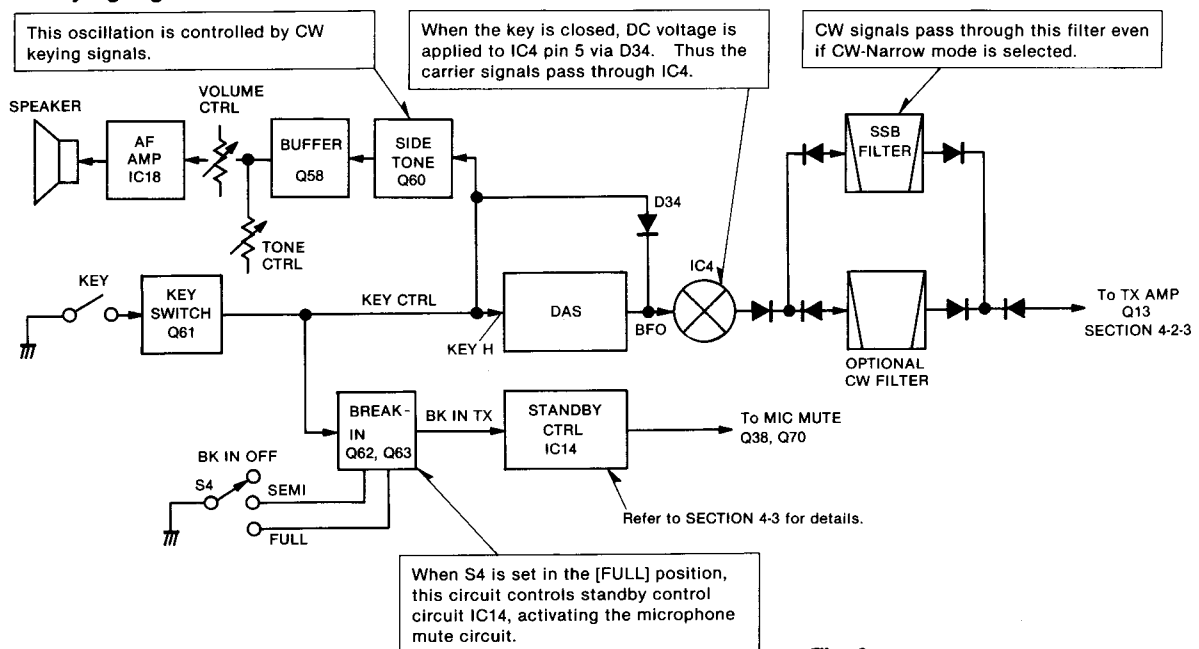


Fig. 6

### 4-2-3 TX AMP~ANTENNA

This circuitry makes RF signals from transmit IF signals.

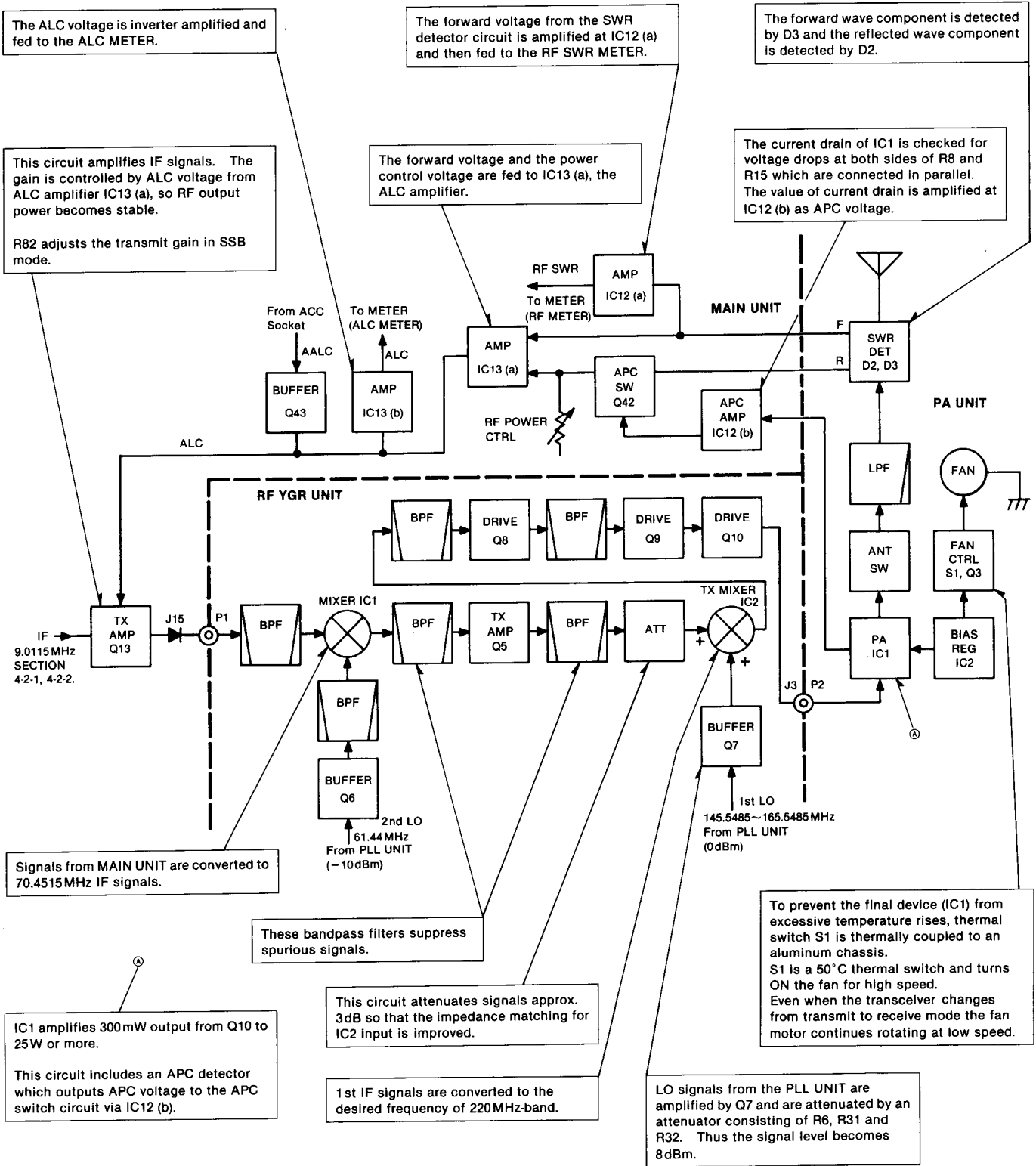


Fig. 7

### 4-3 STANDBY CONTROL CIRCUIT

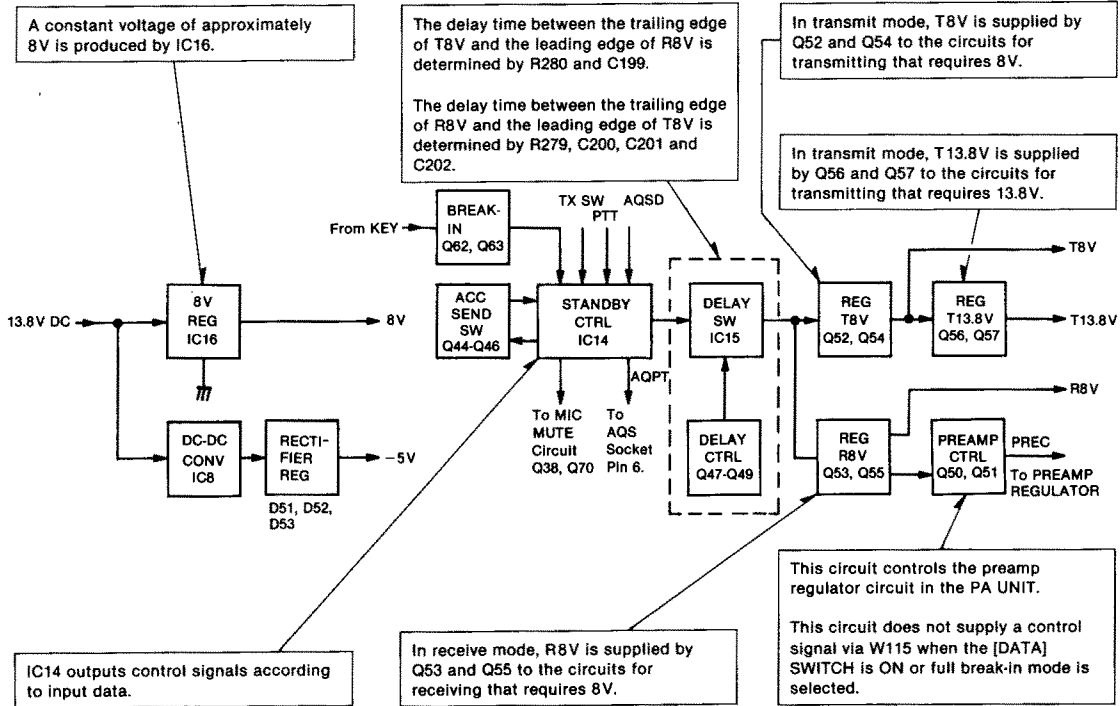


Fig. 8

### 4-4 PLL CIRCUITS

#### 4-4-1 GENERAL

The PLL UNIT outputs an oscillator signal for the RF YGR UNIT: a variable 1st LO output of 145.5485MHz ~165.5485MHz that is necessary for the 1st mixer.

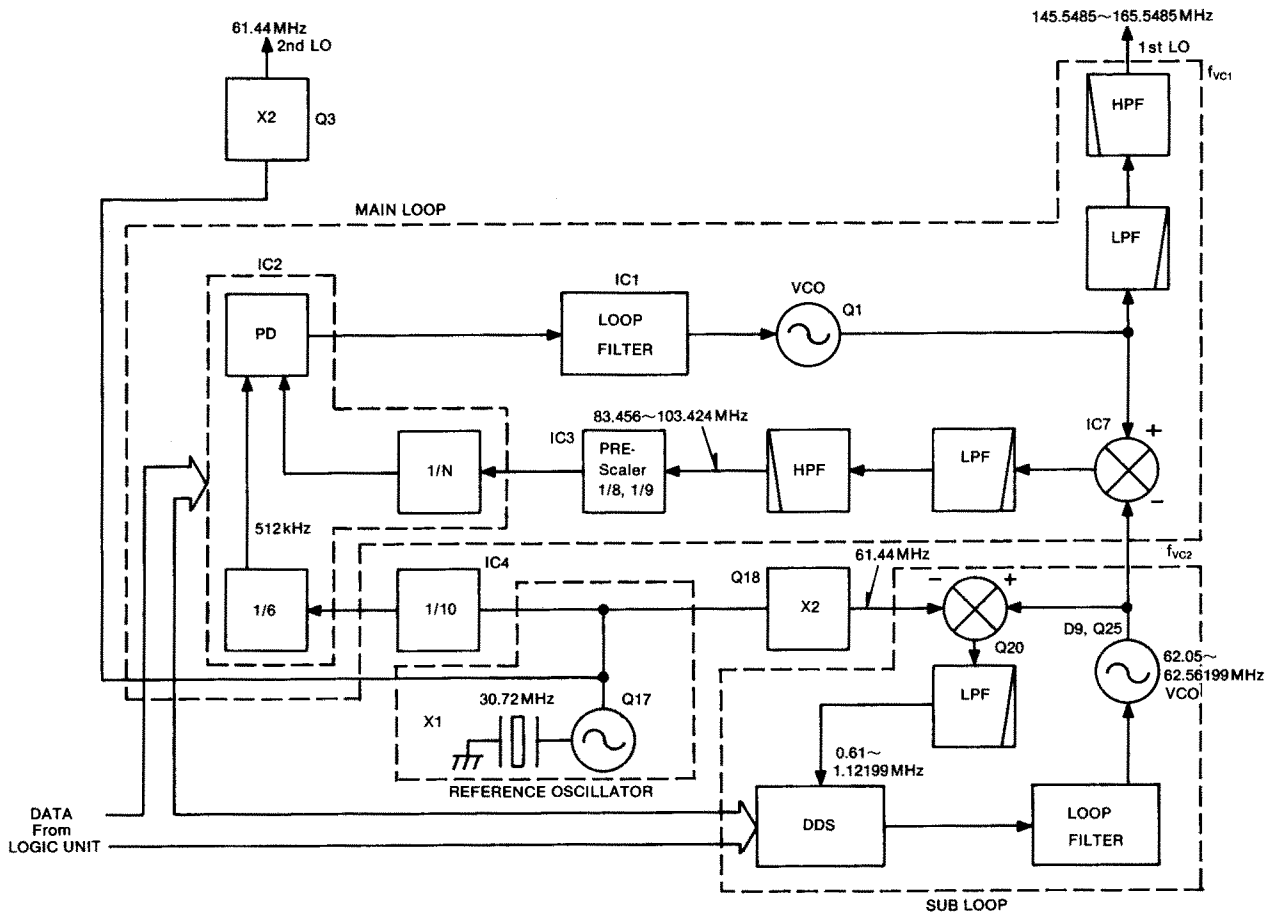


Fig. 9



## 4-4-2 REFERENCE OSCILLATOR CIRCUIT

The reference oscillator circuit generates a reference frequency for the PLL circuits.

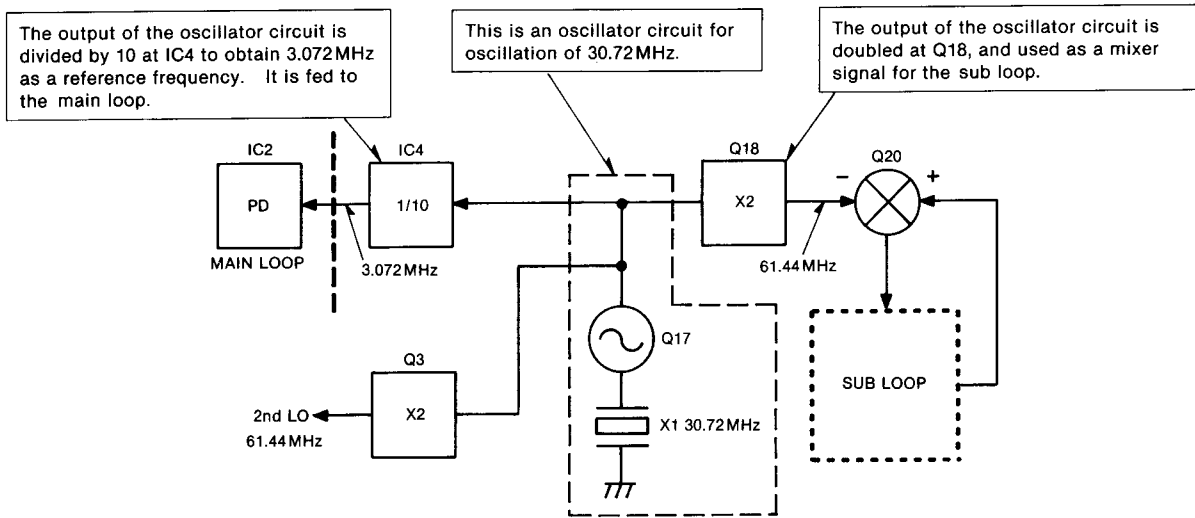


Fig. 10

## 4-4-3 MAIN LOOP

The main loop forms the PLL loop and supplies the 1st LO output.

It consists of a combination of a pulse swallow system and mixer system.

The VCO output frequency  $f_{VC1}$  is given as:

$$f_{VC1} = N_1 \times fr + f_{VC2}$$

$N_1$ : Main loop N-data

$fr$ : PLL reference frequency

$f_{VC2}$ : Sub loop frequency [MHz]

Frequency changes are made by changing the  $f_{VC2}$  and  $N_1$ . The reference frequency ( $fr$ ) is 512kHz, and the VCO is controlled in 512kHz steps by changing the dividing ratio  $N_1$  of the programmable counter.

A frequency between this step (less than 512kHz) is obtained by  $f_{VC2}$  which controls VCO output frequency. The  $f_{VC1}$  can be changed in 10Hz steps over the 19MHz range.

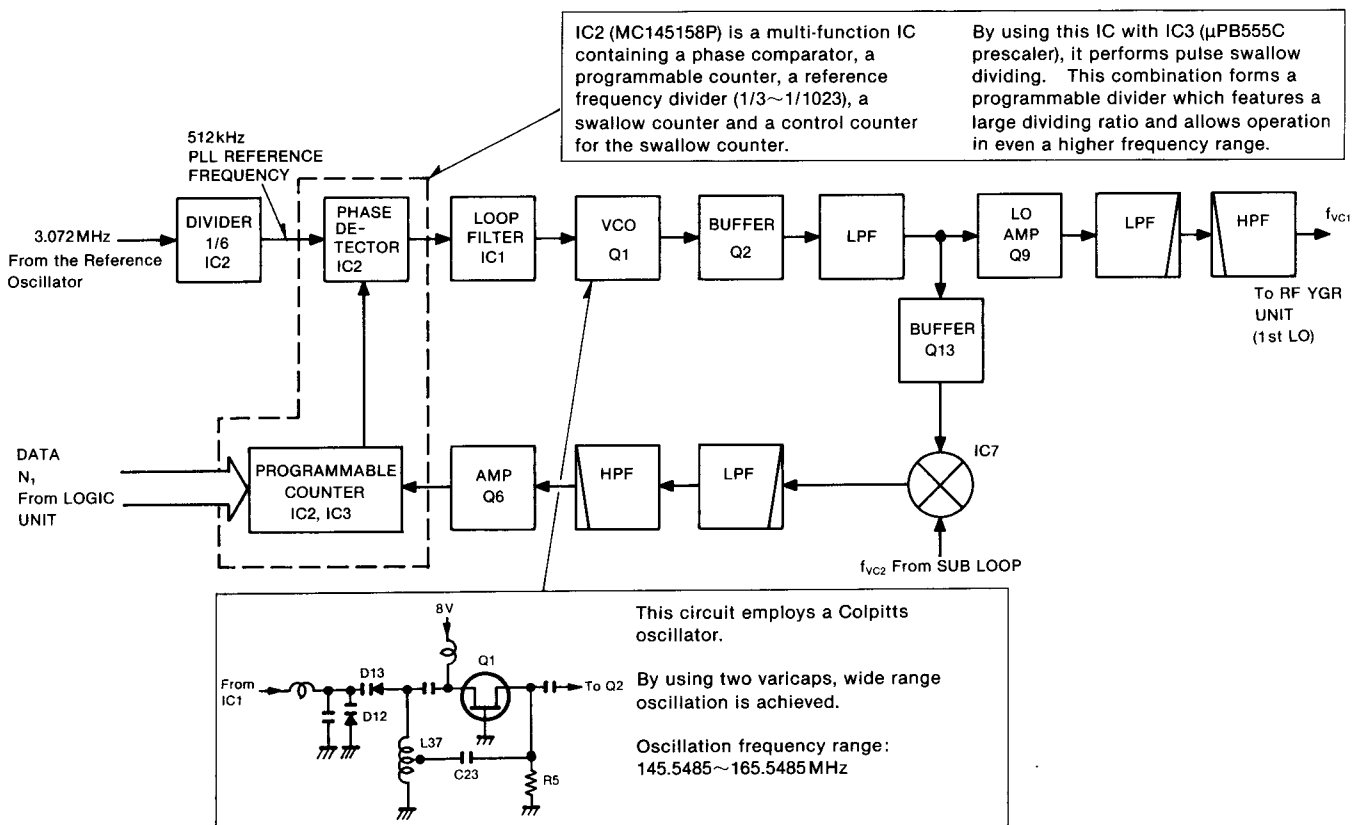


Fig. 11

#### 4-4-4 SUB LOOP

The sub loop section comprises the DDS UNIT.

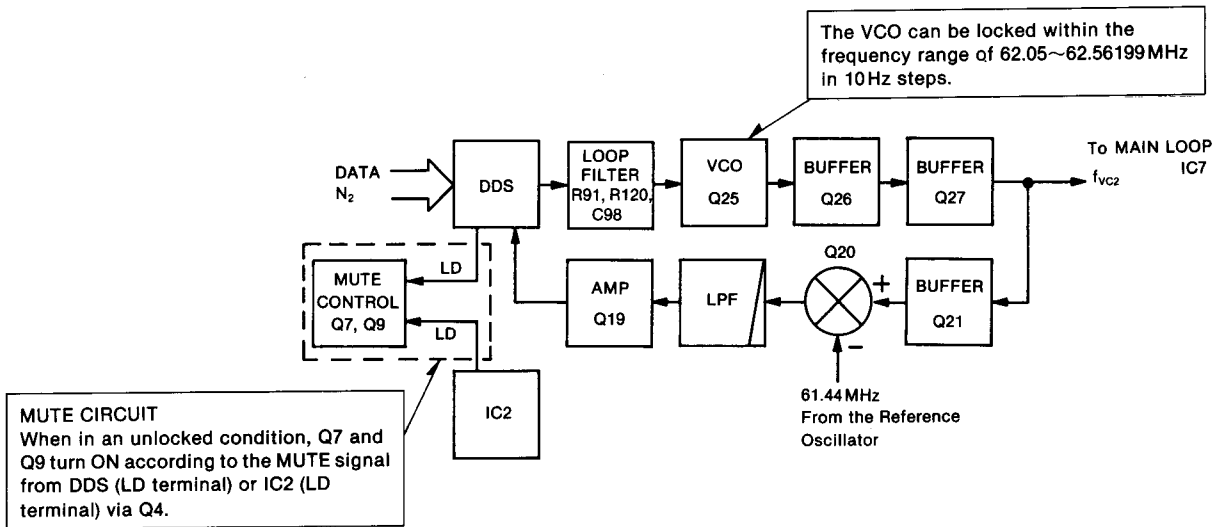


Fig. 12

#### 4-4-5 DIRECT DIGITAL SYNTHESIZER (DDS) UNIT

The DDS circuit consists of 5 ICs.

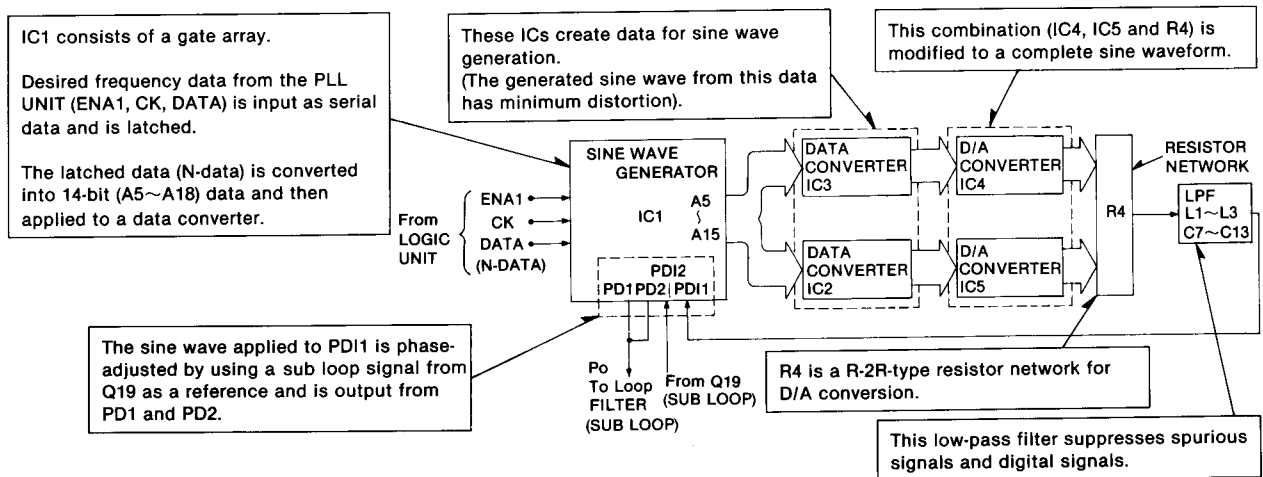


Fig. 13

#### 4-4-6 PLL DATA

Data for setting the dividing ratios  $N_1$  and  $N_2$  of the programmable dividers are sent from the LOGIC UNIT. The data transfer is in binary code.

##### How to derive N-data

Since there are two locked loops, two kinds of N-data are necessary. Even if the output frequencies from the PLL circuits in all modes are the same, the display

frequencies are different depending on the operating mode.

For example, if the same frequency is displayed for FM mode, the frequency will be 900Hz lower in CW mode, 1.5kHz higher in USB mode and 1.5kHz lower in LSB mode.

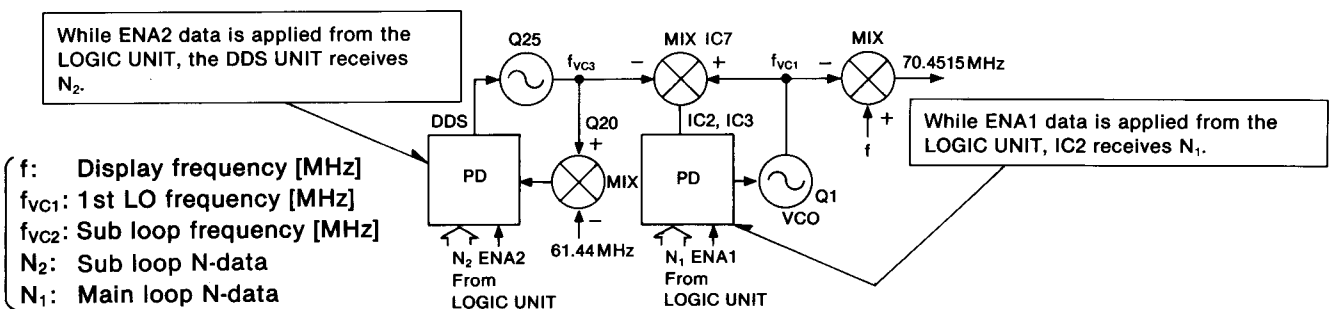


Fig. 14

To obtain N-data from the display frequency (fMHz), calculate using the following formulas.

<p><b>(a) FM mode</b></p> <p>Main loop N-data: <math>N_1</math></p> $N_a = (f - 132.5015) \div 0.512$ <p><math>N_1</math> is the integer part of <math>N_a</math>.</p> <p>Sub loop N-data: <math>N_2</math></p> $N_b = (f - 131.8915 - 0.512 \times N_1) \times 10^5$ <p><math>N_2</math> is the hexadecimal of <math>N_b</math>.</p> <p>example: 220.1234 MHz (Display frequency, In FM mode)</p> <p>Main loop N-data  <math>N_a = (220.1234 - 132.5015) \div 0.512 \approx 171.1</math>  <math>\therefore N_1 = 171</math></p> <p>Sub loop N-data  <math>N_b = (220.1234 - 131.8915 - 0.512 \times 171) \times 10^5</math>  <math>= 67990</math>  <math>\therefore N_2 = 10996</math> (H)</p>	<p><b>(b) CW, LSB or USB mode</b></p> <p>Main loop N-data: <math>N_1</math></p> $N_c = (f - 132.5015 - f_{\text{OFFSET}}) \div 0.512$ <p><math>N_1</math> is the integer part of <math>N_c</math>.</p> <p>Sub loop N-data: <math>N_2</math></p> $N_d = (f - 131.8915 - 0.512 \times N_1 - f_{\text{OFFSET}}) \times 10^5$ <p><math>N_2</math> is the hexadecimal of <math>N_d</math>.</p> <div style="border: 1px solid black; padding: 5px; margin-top: 10px;"> <p><math>f_{\text{OFFSET}}</math> of each mode:</p> <p>CW mode: <math>0.9 \times 10^{-3}</math></p> <p>LSB mode: <math>1.5 \times 10^{-3}</math></p> <p>USB mode: <math>-1.5 \times 10^{-3}</math></p> </div>
---	--

## 4-5 LOGIC CIRCUITS

Functions of the LOGIC circuits include the control of frequency, the processing of mode signals, and data output for the PLL UNIT and DISPLAY UNIT. The LOGIC circuits are composed of an 8-bit CMOS CPU, a 2k-byte RAM, 16k-byte ROM and an I/O expander IC.

### 4-5-1 CPU

Functions are assigned to the pins of the CPU as shown at right. Pins which have no functions are left unconnected.

Addresses are assigned to ROM and RAM and to all other peripheral devices.

### 4-5-2 RESET CIRCUIT

The reset circuit is connected as shown in Fig. 16 and supplies power from the power supply to reset IC4 and IC1.

The voltages at three points (Ⓑ ~ Ⓓ) change as shown on the graph in Fig. 16 as the voltage from the power supply changes (point Ⓐ).

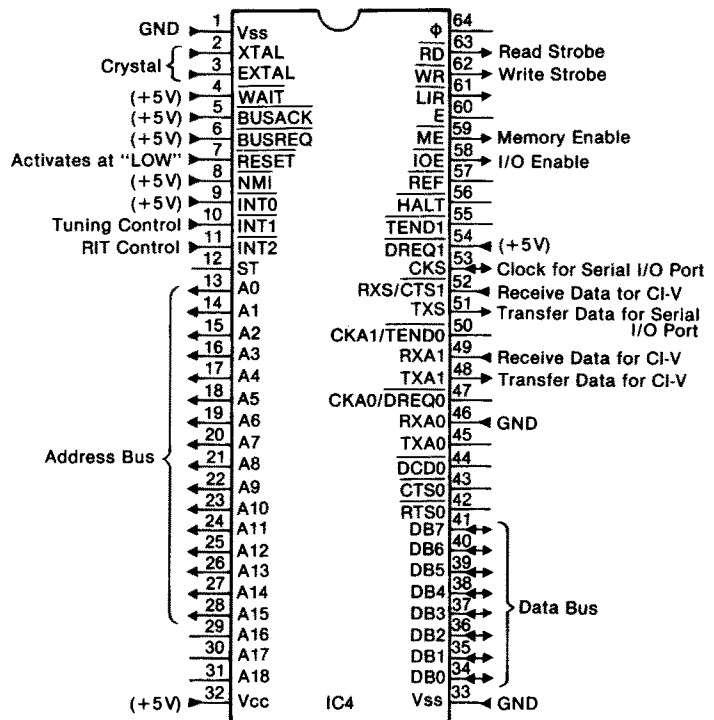


Fig. 15

This is the sequence of the reset circuit operation.

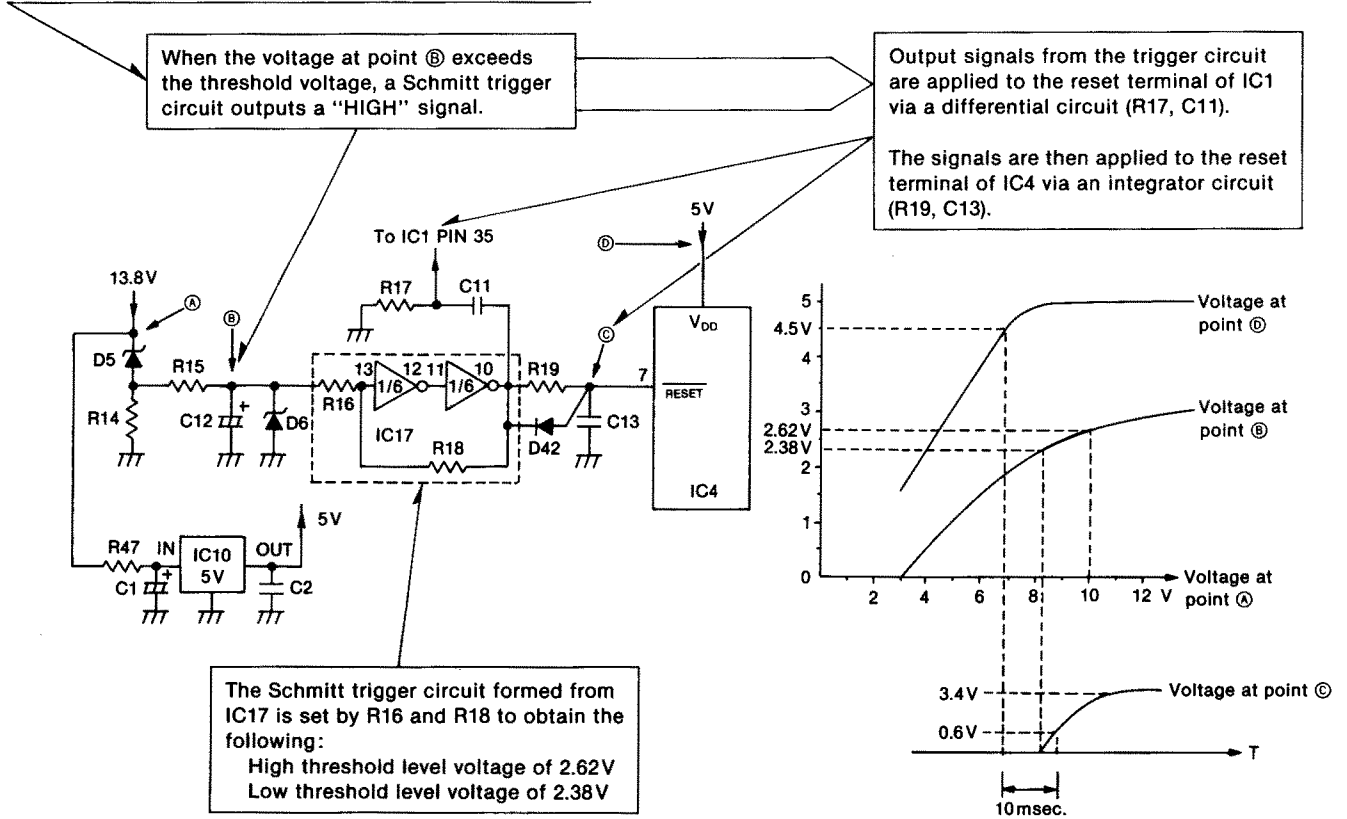


Fig. 16

### 4-5-3 MATRIX

**MATRIX TABLE**

	Y0	Y1	Y2	Y3	Y4	Y5	Y6	Y7	
		CALL	Mch UP	LSB	MIC CK	SIMP/DUP	BAND INITIAL 0	CI-V ADDRESS 0	DB0
		VFO A/B	Mch DOWN	USB	MIC U/D	CHECK	1	1	DB1
		MEMORY READ	RIT ON/OFF	CW/N	SKIP	SET	2	2	DB2
		A=B			MODE-S	TONE ON/OFF	3	3	DB3
	PITCH 0	MW	RIT CLEAR		SCAN SPEED	TONE SQL ON/OFF	4	4	DB4
	1	M ▶ VFO	SCAN S/S	FM		LOCK	CI-V DATA LENGTH	5	DB5
	2	M-CLEAR	SQL			SPCH START	CI-V BAUD RATE 0	6	DB6
	3	SPLIT	SEND	DATA		SPCH BUSY	1	CI-V TRANSCEIVE FLAG	DB7

Fig. 17

**Y0 → DB4~DB7 (PITCH)**

This matrix sets the frequency step tuning rate.

**Y1 → DB0 (CALL)**

This matrix is used for the [CALL] SWITCH.

**Y1 → DB1 (VFO A/B)**

This matrix selects VFO A or VFO B via the [VFO] SWITCH.

**Y1 → DB2 (MEMORY READ)**

This matrix is used for the [MEMORY] SWITCH.

**Y1 → DB3 (A=B)**

This matrix is used for the [A=B] SWITCH.

**Y1 → DB4 (MW)**

This matrix is used for the [MW] SWITCH.

**Y1 → DB5 (M▶VFO)**

This matrix is used for the [M▶VFO] SWITCH.

**Y1 → DB6 (M-CLEAR)**

This matrix is used for the [M-CL] SWITCH.

**Y1 → DB7 (SPLIT)**

This matrix is used for selecting the relationship of the two VFO frequencies.

**Y2 → DB0, Y2 → DB1 (MEMO CH)**

These matrices are used for the [MEMO] CHANNEL SELECTOR CONTROL.

**Y2 → DB2 (RIT ON/OFF)**

This matrix is used for the [RIT] SWITCH.

**Y2 → DB4 (RIT CLEAR)**

This matrix is used for the [RIT-CL] SWITCH.

**Y2 → DB5 (SCAN START/STOP)**

This matrix is used for the [SCAN] SWITCH.

**Y2 → DB6 (SQL)**

This matrix is for the SCAN TIMER function.

In PROGRAMMED SCAN or MEMORY CHANNEL SCAN mode, this matrix is activated.

When a signal is received, the scan stops and then starts again after 3 or 10 seconds. These times depend on the type of signal received.

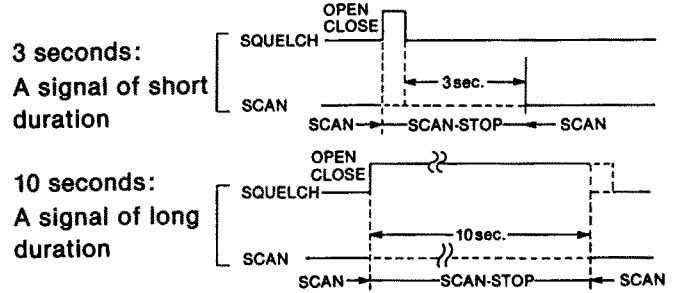


Fig. 18

**Y2 → DB7 (SEND)**

This matrix is used for switching the transceiver from transmit to receive mode and vice versa.

**Y3 → DB0 (LSB)**

**Y3 → DB1 (USB)**

**Y3 → DB2 (CW/N)**

**Y3 → DB5 (FM)**

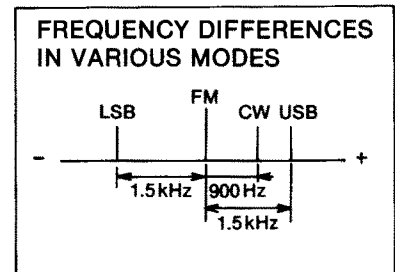


Fig. 19

**Y3 → DB7 (DATA)**

This matrix is used for the [DATA] SWITCH. This matrix is for PACKET or AMTOR communications which require rapid receive and transmit switching times. (This matrix does not function in CW mode.)

• Transmit and receive switching time

[DATA] SWITCH	FM mode	SSB, CW mode
OFF	15~20msec.	20~25msec.
ON	approx. 3msec.	approx. 7msec.

NOTE: While the [DATA] SWITCH is ON, the optional AG-30 PREAMPLIFIER is not activated.

• Squelch close and open switching time

Squelch close → open:

[DATA] SWITCH	FM mode	SSB, CW mode
OFF	approx. 40msec.	approx. 15msec.
ON	approx. 4msec.	approx. 5msec.

Squelch open → close:

[DATA] SWITCH	FM mode	SSB, CW mode
OFF	approx. 350msec.	*1
ON	approx. 200msec.	

\*1 These periods are varied by [AGC] SWITCH setting and receive signal strength.

Above times show time required for the squelch to open/close at the squelch threshold point.

• **MIC mute**

When the [DATA] SWITCH is turned ON the microphone signals are muted while transmit mode is selected using the [XMIT] SWITCH or the ACC SOCKET SEND line (except when using the microphone PTT SWITCH).

**Y4 → DB0 (MIC CK), Y4 → DB1 (MIC UP/DOWN)**

These matrices are used for changing frequencies by using the microphone with the UP/DOWN SWITCHES.

When the [DOWN] SWITCH is pushed, the matrix “Y4 → DB0” turns ON. When the [UP] SWITCH is pushed, the matrices “Y4 → DB0” and “Y4 → DB1” turn ON.

**Y4 → DB2 (SKIP)**

This matrix is used for the [SKIP] SWITCH.

**Y4 → DB3 (MODE-S)**

This matrix is used for the [MODE-S] SWITCH.

**Y4 → DB4 (SCAN SPEED)**

This matrix is used for the [SCAN SPEED] SWITCH.

Scan speed switch (S1)	Scan speed
Fast (ON)	20 channels/sec.
Slow (OFF)	10 channels/sec.

**Y5 → DB0 (SIMP/DUP)**

This matrix is used for selecting simplex or duplex mode operation.

**Y5 → DB1 (CHECK)**

This matrix is used for the [CHK] SWITCH.

**Y5 → DB2 (SET)**

This matrix is used for the [SET] SWITCH.

**Y5 → DB3 (TONE ON/OFF)**

This matrix is used for activating the built-in subaudible tone unit.

**Y5 → DB4 (TONE-SQL ON/OFF)**

This matrix is used for the [T-SQL] SWITCH.

**Y5 → DB5 (LOCK)**

This matrix is used for the [LOCK] SWITCH.

**Y5 → DB6 (SPEECH START), Y5 → DB7 (SPEECH BUSY)**

These matrices are used for the [SPCH] SWITCH.

**Y6 → DB0~DB4 (BAND INITIAL)**

These matrices determine frequency range, initial offset, etc., for each transceiver version.

**Y6 → DB5 (CI-V DATA LENGTH)**

This matrix is for the ICOM CI-V system.

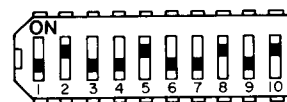
When D25 is installed on the LOGIC UNIT, this matrix is in the ON position.

Y6 → DB5	CI-V DATA LENGTH
OFF	4-byte
ON	5-byte

**Y6 → DB6, DB7 Y7 → DB0~DB7**

Transmitters and receivers using the ICOM CI-V System exchange serial information in the PACKET format. The contents of a data PACKET can be changed by using the S3 switches (switches 1~10) on the LOGIC UNIT.

S3 SWITCHES (switches 1~10)



The S3 SWITCHES shown above are located on the LOGIC UNIT.

Fig. 20

Switches 1~7 (For setting an address with the transceiver):

These switches determine the transceiver's address number (00H~7FH).

Matrix configuration: Y7 → DB0~DB6

ICOM Standard address number:

MODEL	ADDRESS NUMBER	MODEL	ADDRESS NUMBER
IC-761	1EH (30)	*IC-751A	1CH (28)
IC-275A/E/H	10H (16)	*IC-751	1CH (28)
IC-475A/E/H	14H (20)	*IC-271A/E/H	20H (32)
<b>IC-375A</b>	<b>12H (18)</b>	*IC-471A/E/H	22H (34)
IC-575A/E/H	16H (22)	*IC-1271A/E	24H (36)
IC-735	04H ( 4)	*IC-R71A/E/D	1AH (26)
IC-R7000	08H ( 8)		

\*Address numbers are fixed by the UX-14.

Bracketed figures ( ) are decimals; figures marked with an H are hexadecimal.

Switch 8 (For setting a transceive flag):

The ON position sets a flag used for sending code data of transceive operations automatically when the frequency is changed. The receive code data is accepted regardless of whether the switch is ON or OFF.

Matrix configuration: Y7 → DB7

Switches 9 and 10 (For setting CI-V baud rate):

Baud (bps.)	Switch 9	Switch 10
9600	OFF	OFF
4800	ON	OFF
1200	OFF	ON
300	ON	ON

Matrix configuration: Y6 → DB6, DB7

NOTE: The standard ICOM CI-V baud rate is 1200bps.

#### 4-5-4 SENSOR CIRCUIT

The Sensor Circuit performs waveform shaping of the dial pulse from the 250 pulses/revolution sensor. The tuning speed selector section formed from IC17 automatically switches between normal speed and 4 times speed according to the number of generated pulses (varies according to whether the TUNING CONTROL is rotated quickly or slowly).

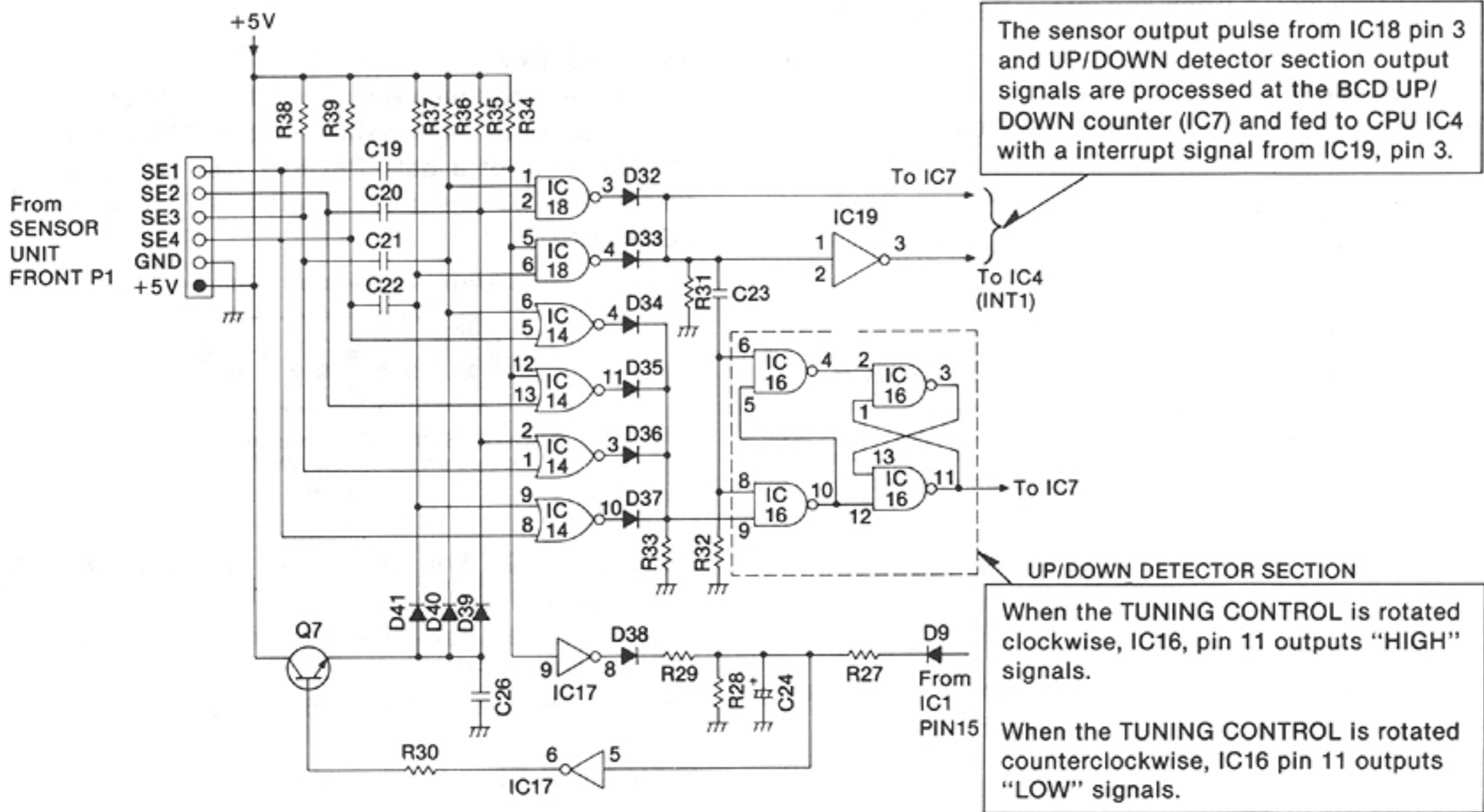


Fig. 21

#### 4-5-5 RIT UP/DOWN SENSOR CIRCUIT

Pulse signals from the RIT SENSOR in the FRONT UNIT are fed to CPU IC4 via IC6 and through an RIT UP/DOWN sensor consisting of IC19 and IC15 with interrupt signals from IC18 at pin 11.

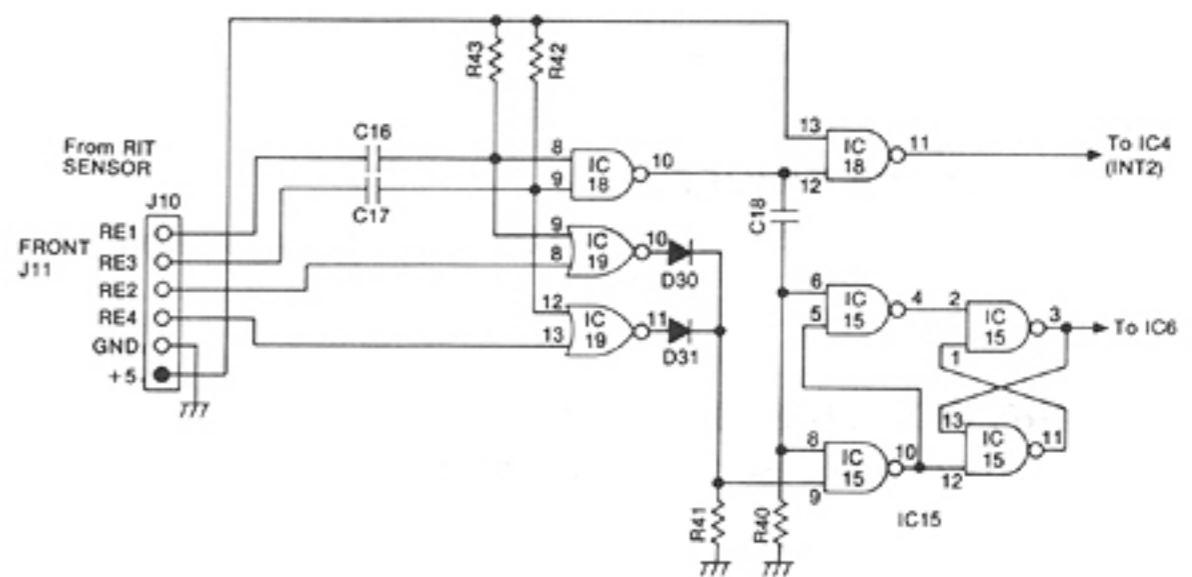


Fig. 22

## 4-6 SWITCHING REGULATOR CIRCUIT

This circuit provides 13.8V DC (8A) output.

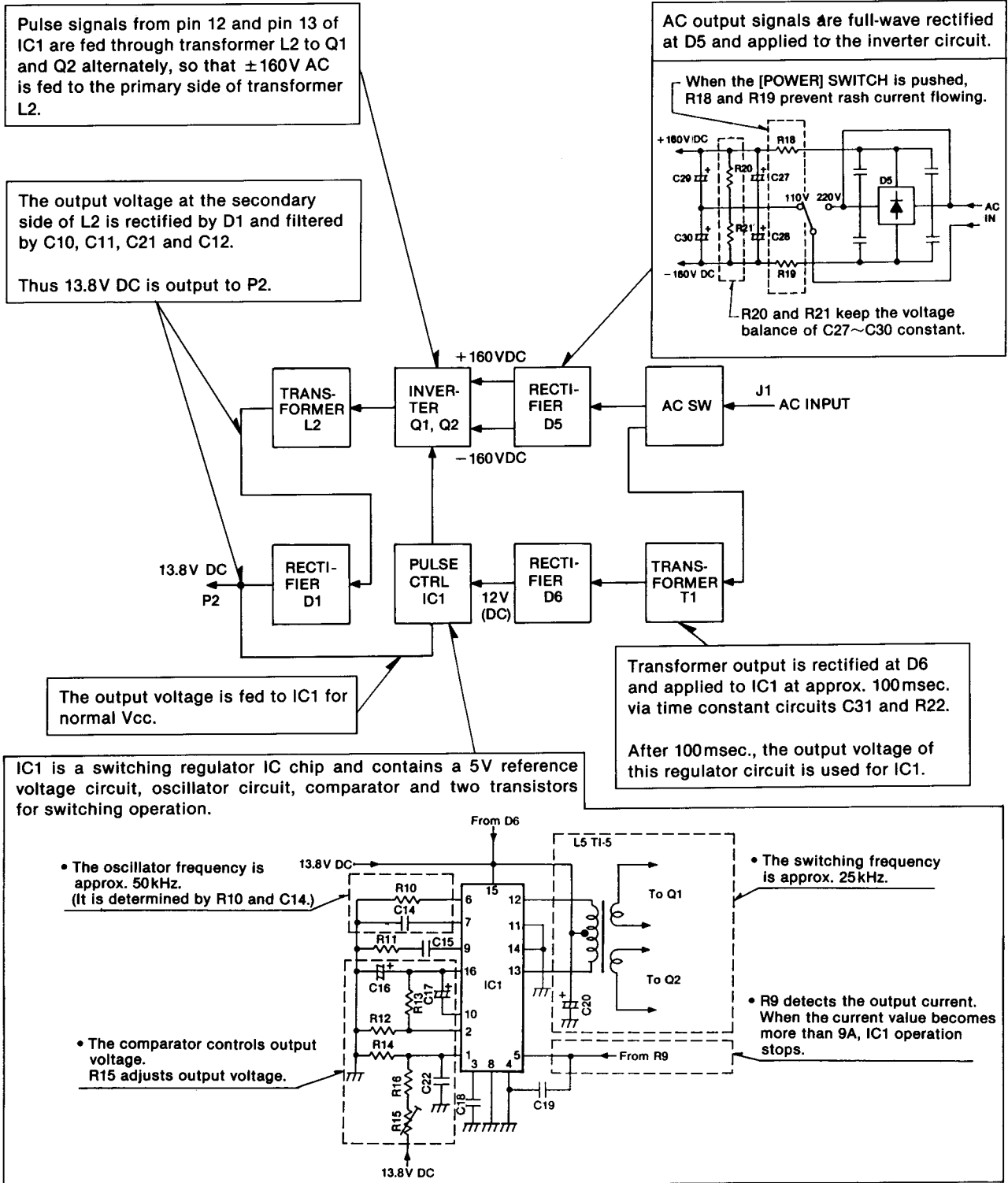


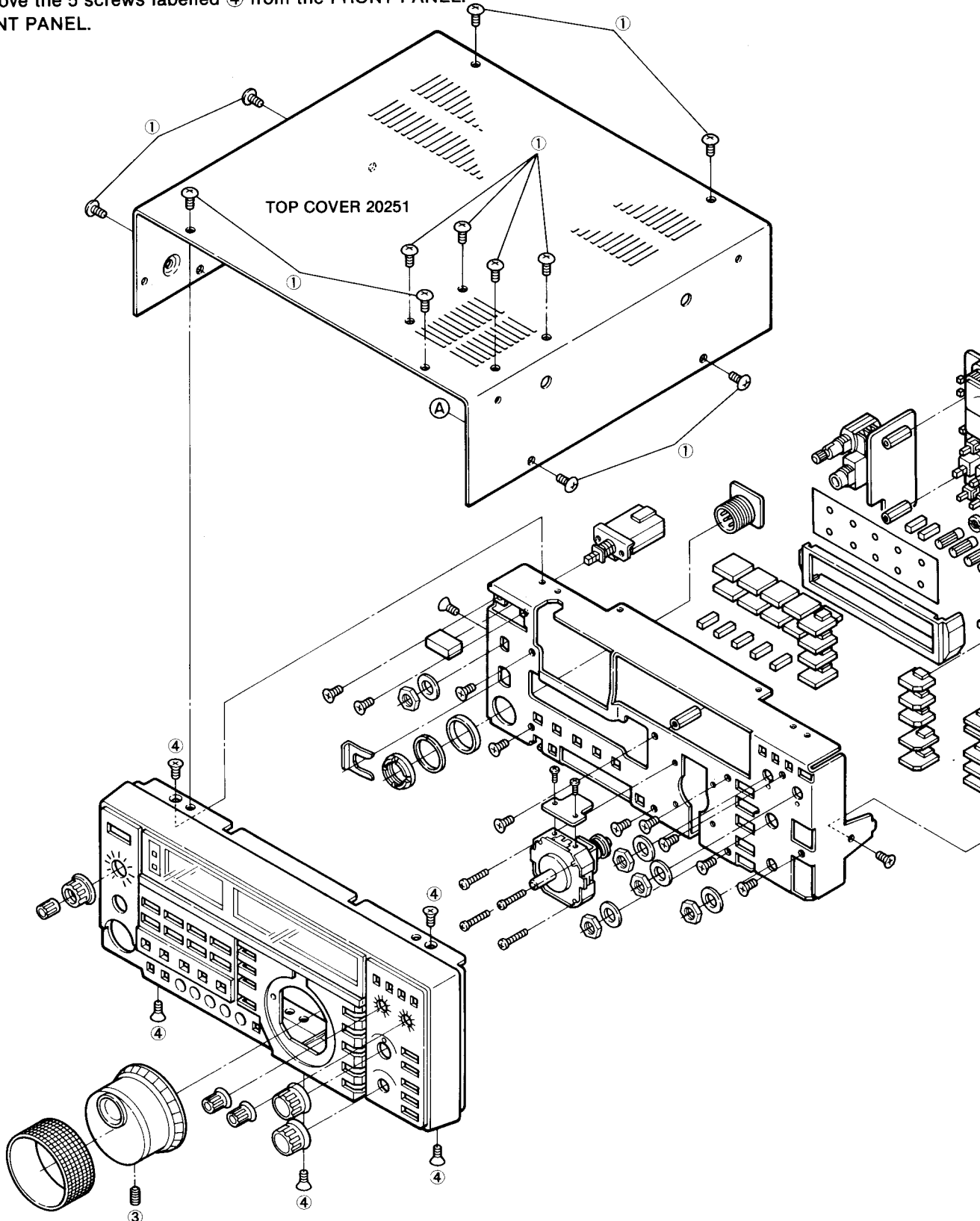
Fig. 23

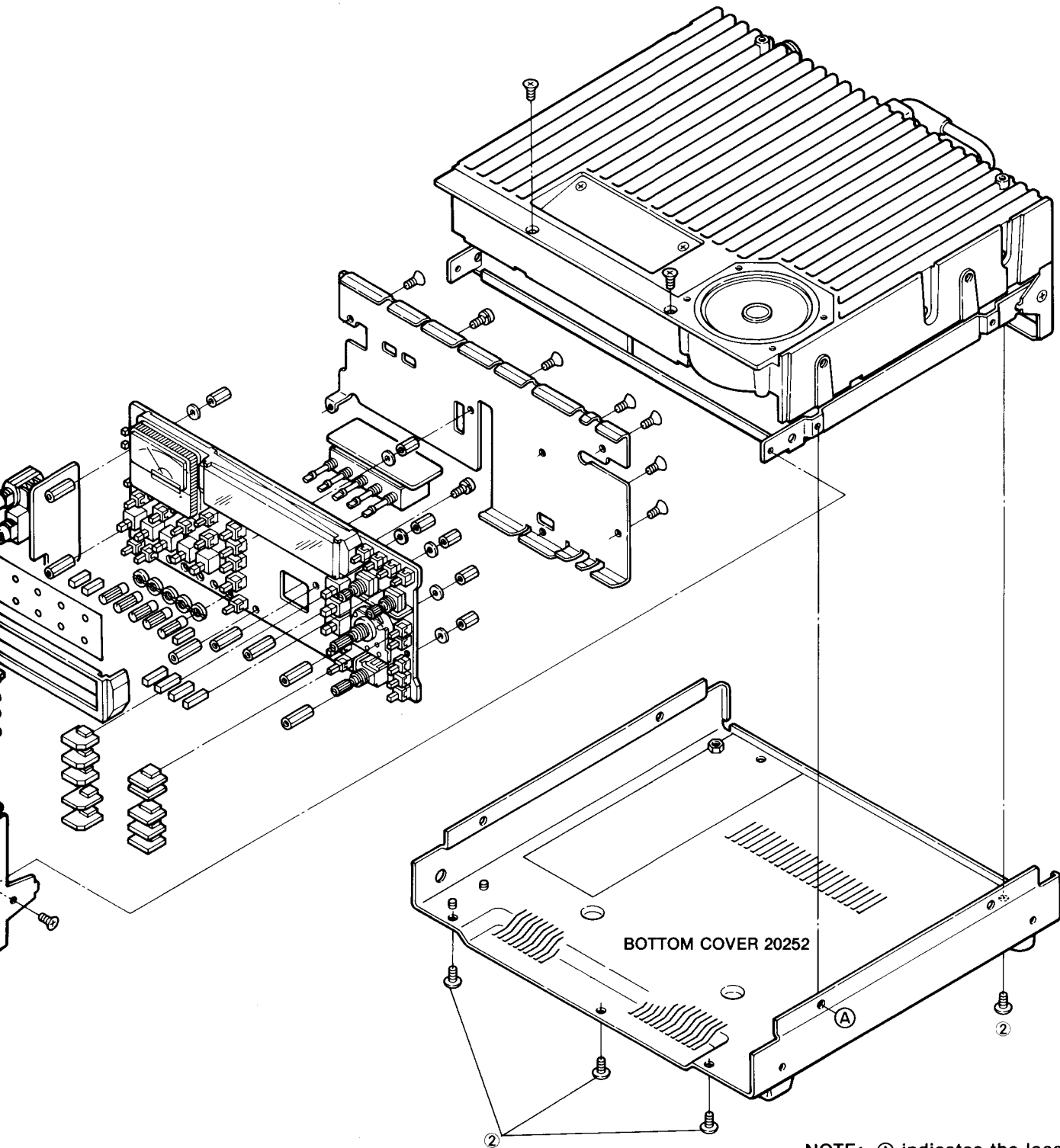


## SECTION 5 MECHANICAL PARTS AND DISASSEMBLY

### 5-1 FRAME DISASSEMBLY

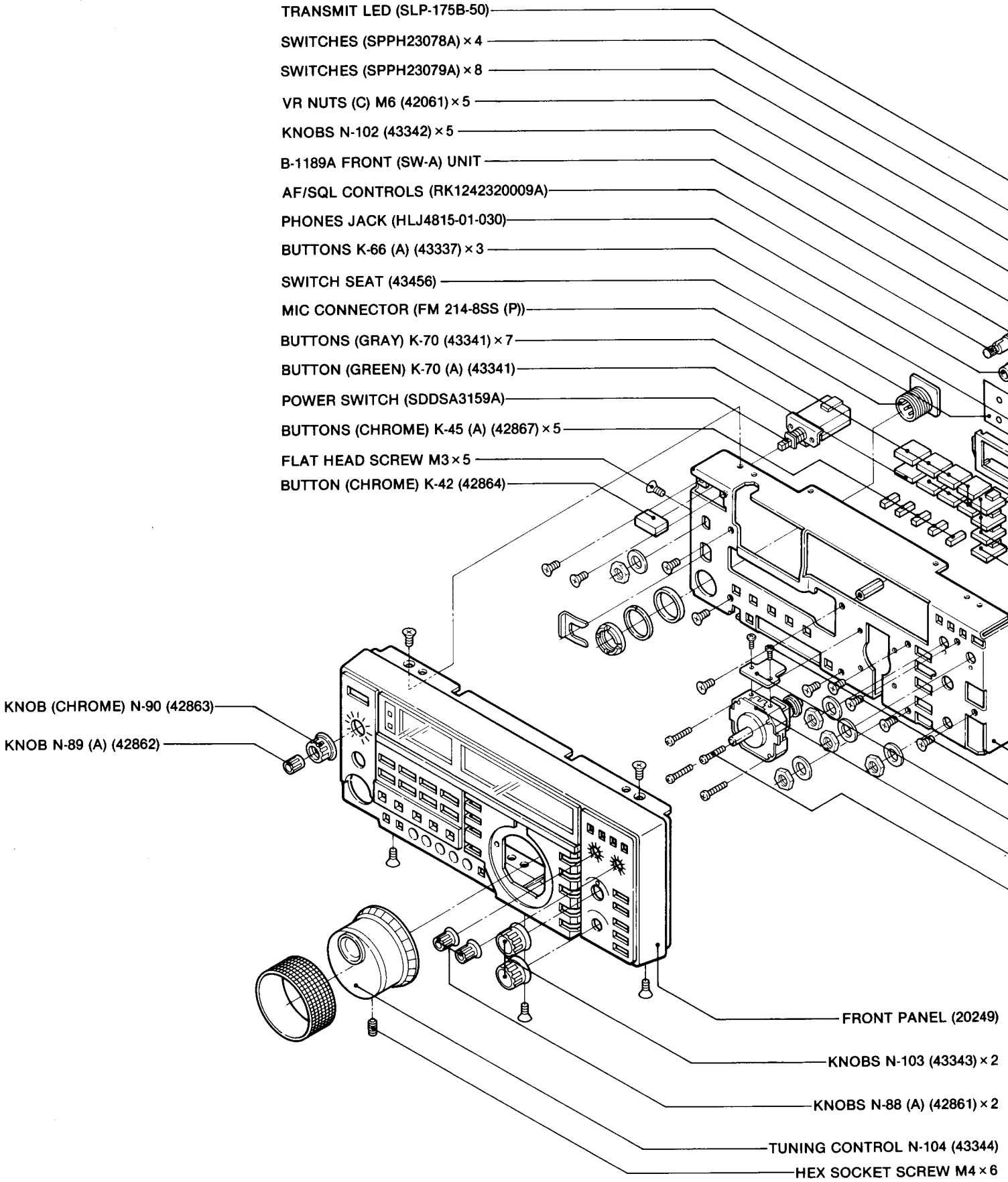
1. Unscrew and remove the 12 screws labelled ① from the TOP COVER.  
Remove the TOP COVER.
2. Unscrew and remove the 5 screws labelled ② from the BOTTOM COVER.  
Remove the BOTTOM COVER.
3. Remove the hex socket screw labelled ③ from the TUNING CONTROL.  
Pull out the forward controls from the FRONT PANEL.
4. Unscrew and remove the 5 screws labelled ④ from the FRONT PANEL.  
Remove the FRONT PANEL.

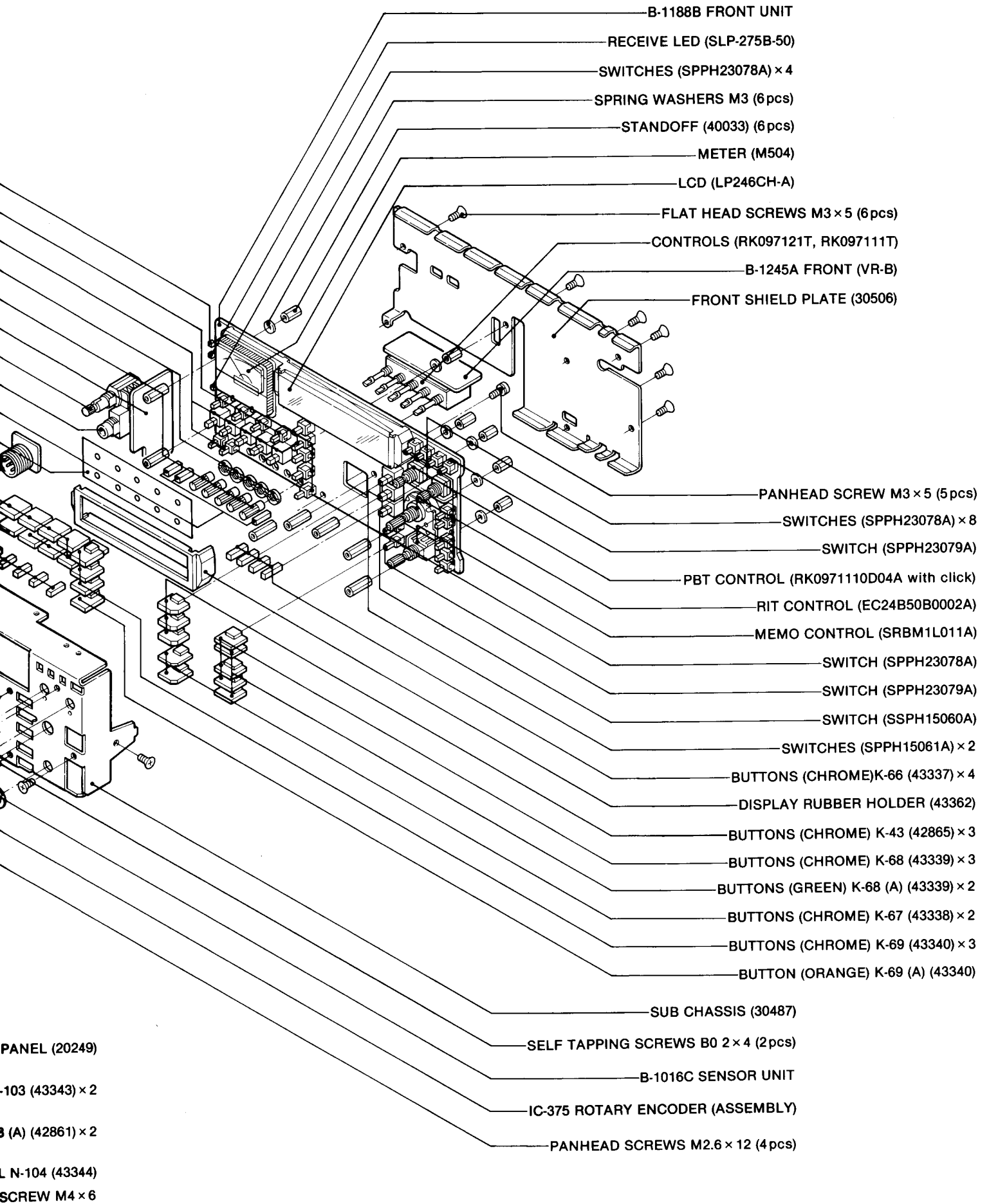




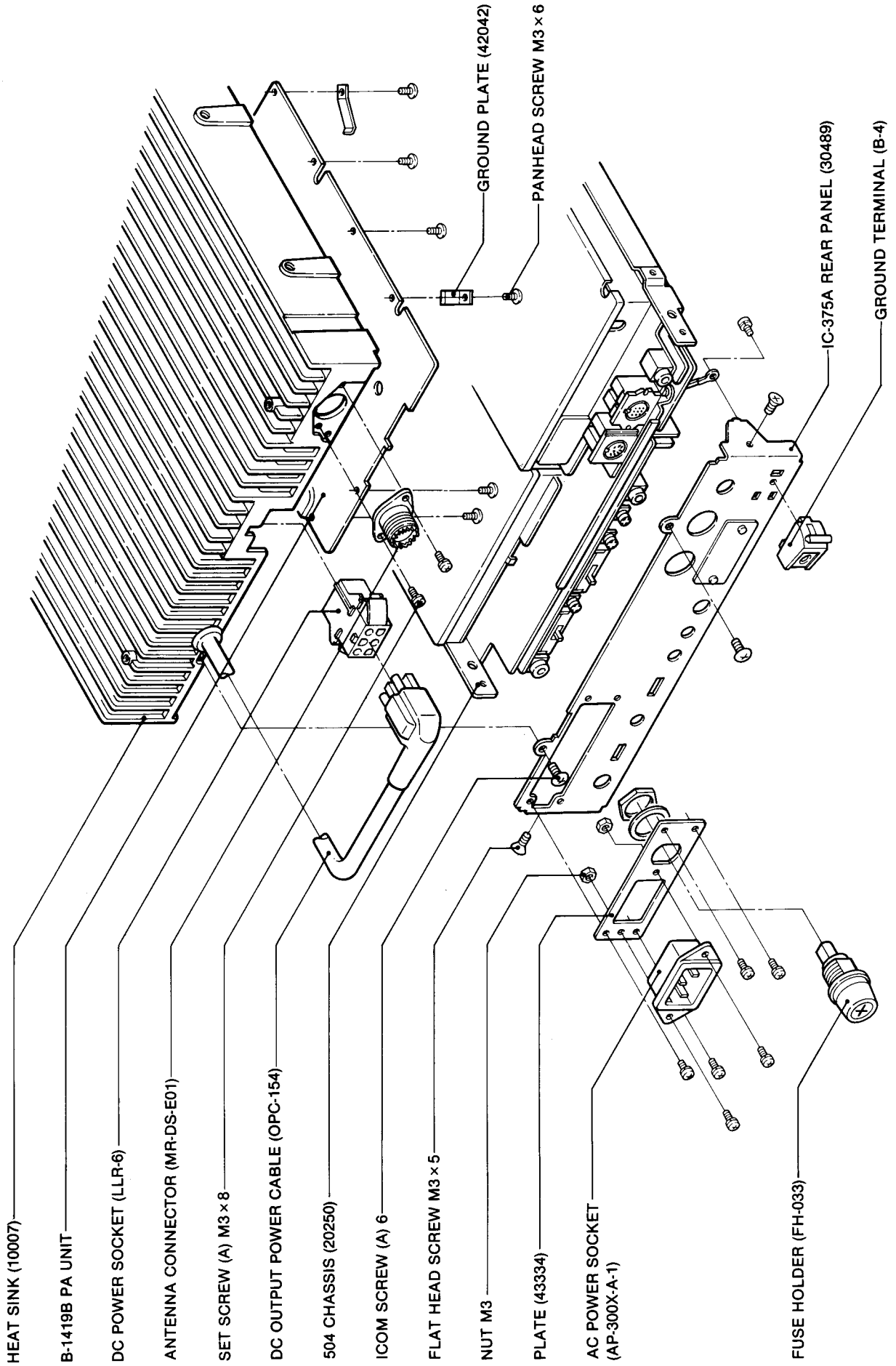
NOTE: Ⓐ indicates the location where the covers are attached.

# 5-2 FRONT PANEL DISASSEMBLY



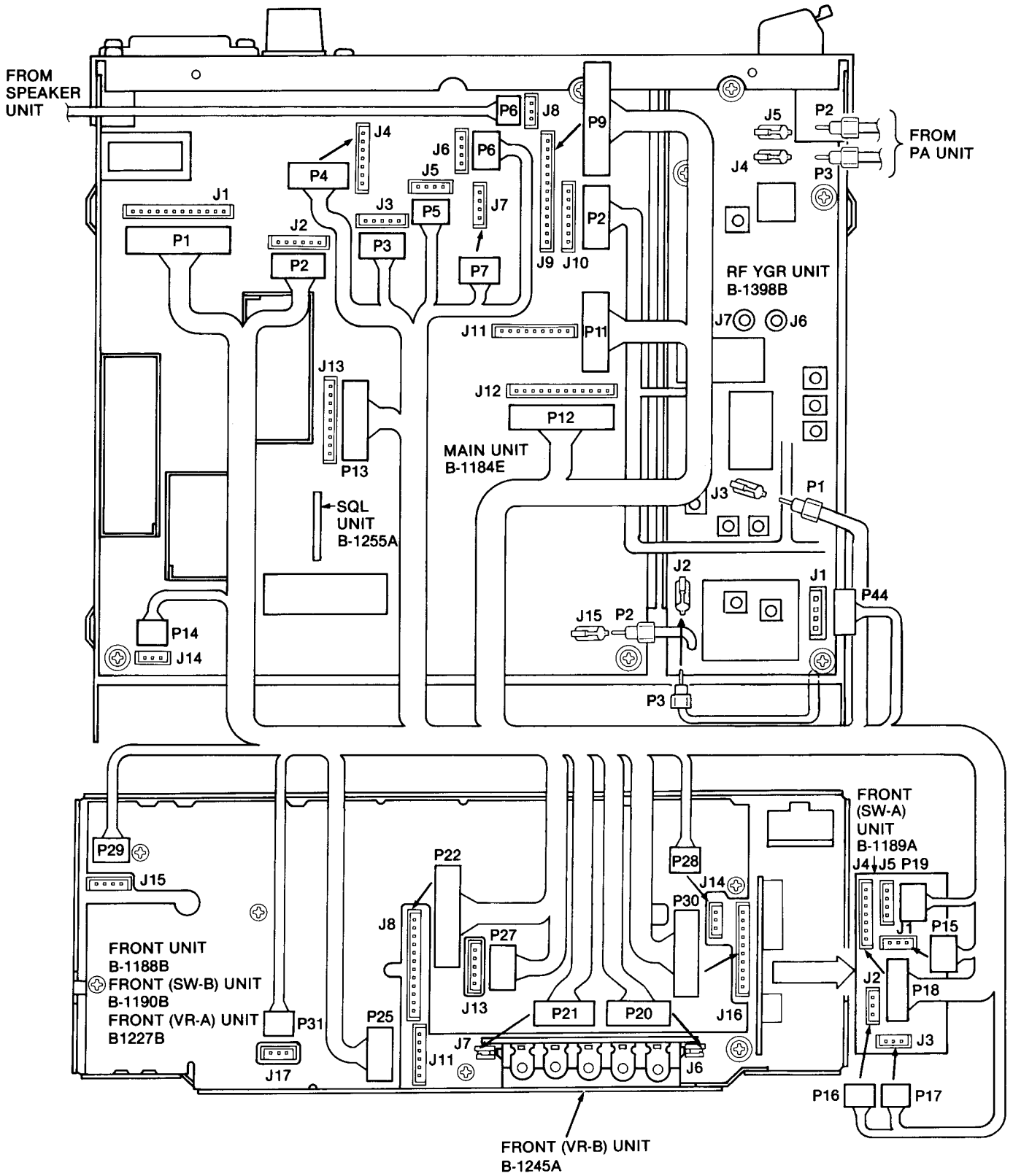


# 5-3 REAR PANEL DISASSEMBLY

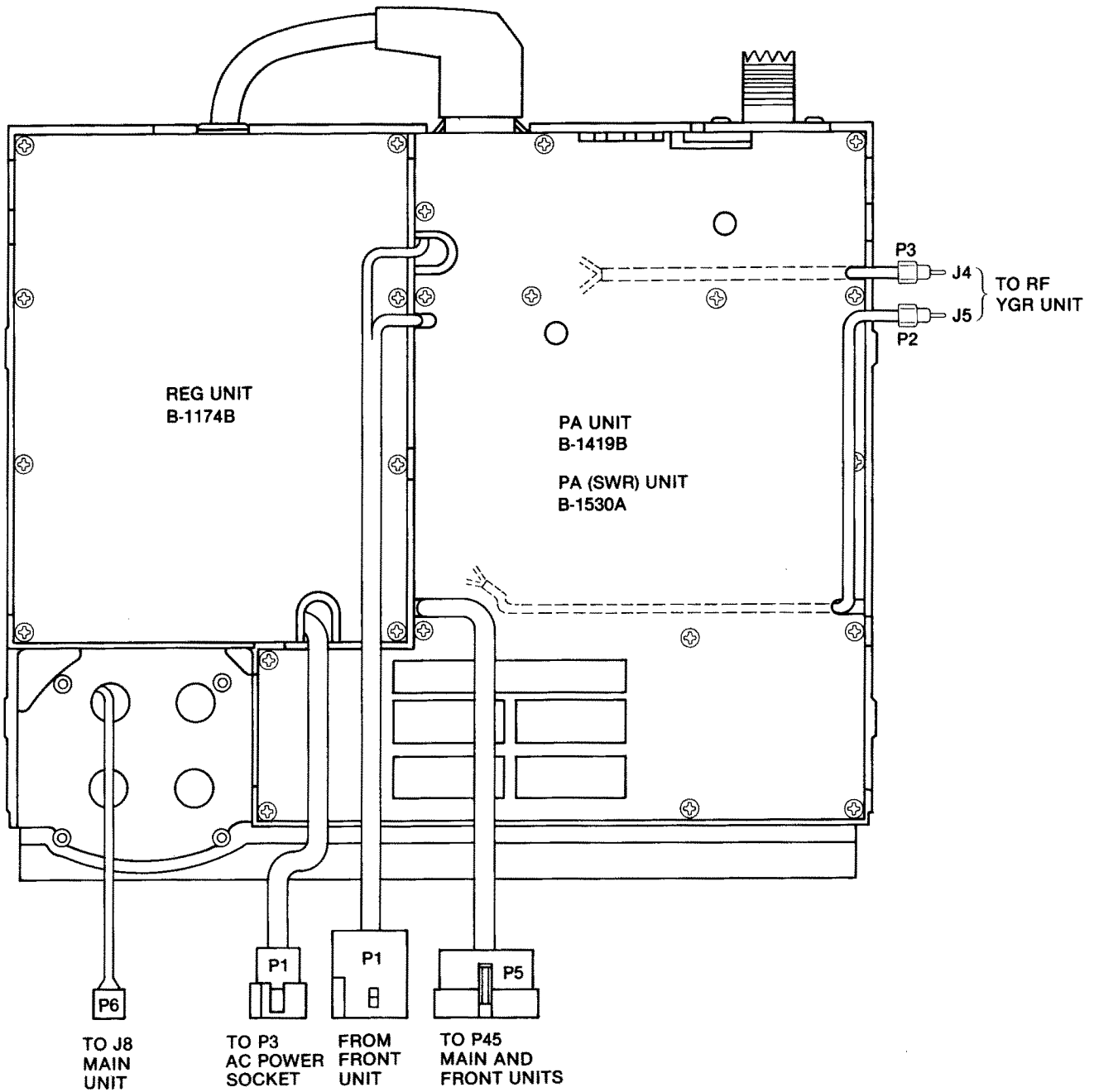




# 5-5 FRONT, MAIN AND RF YGR UNITS CONNECTOR ASSEMBLY



# 5-6 PA AND REG UNITS CONNECTOR ASSEMBLY





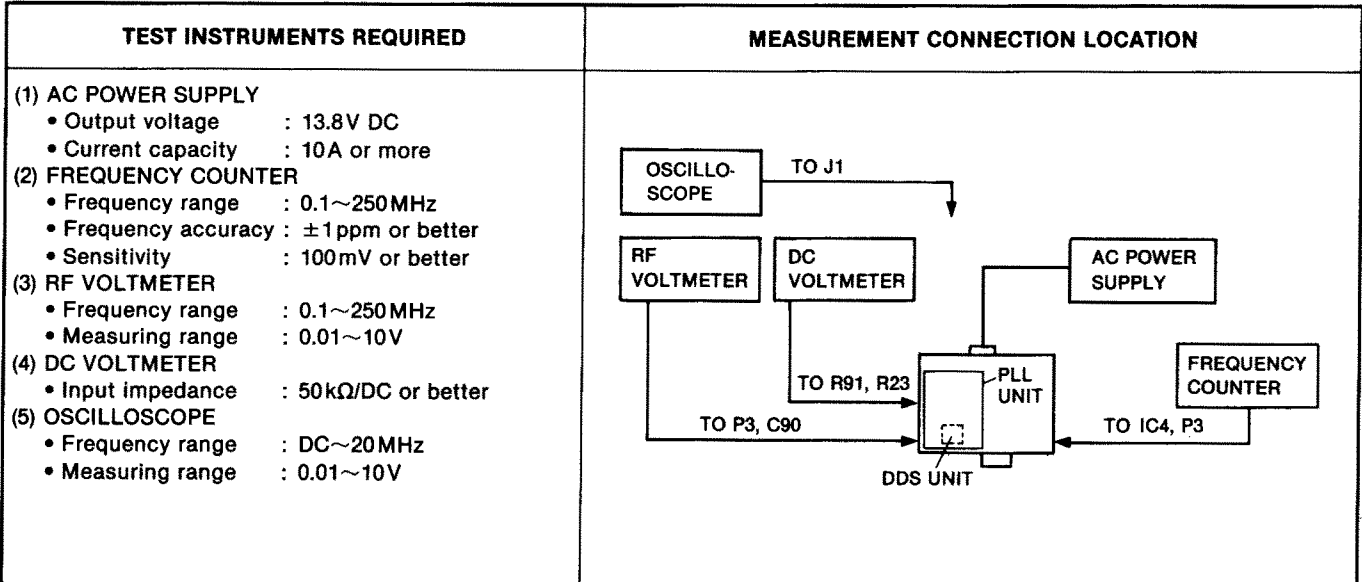
## SECTION 6 MAINTENANCE AND ADJUSTMENT

### 6-1 PREPARATION BEFORE SERVICING

**CAUTION:** An external AC power supply should be used to connect the transceiver to a power source during testing.

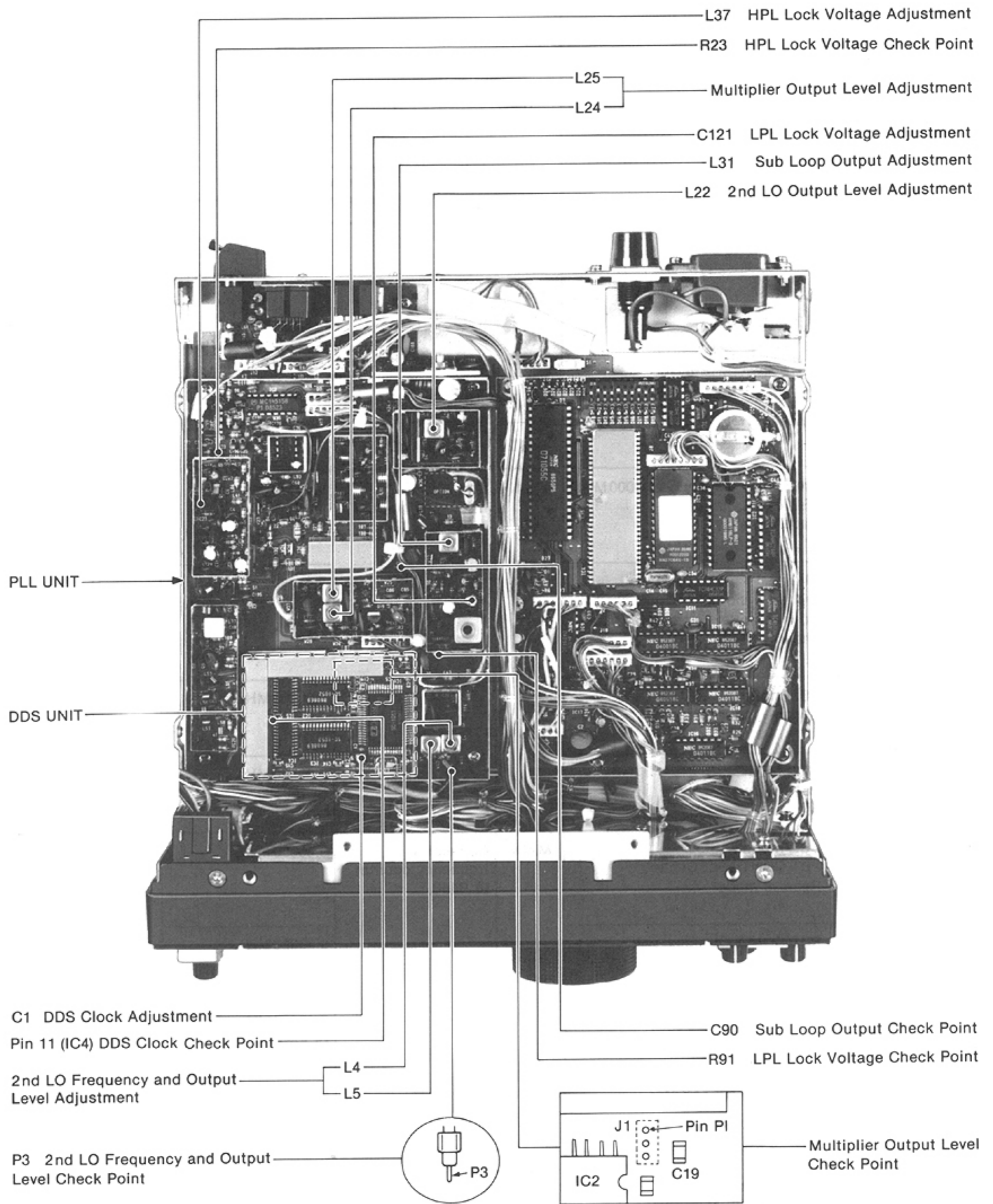
1. Detach the power cord and turn OFF the POWER SWITCH before performing any work on the transceiver.
2. DO NOT turn the [PREAMP] SWITCH ON while a signal generator is connected to the ANTENNA CONNECTOR. DC voltage is generated and may damage the protector fuse of the signal generator.
3. DO NOT short circuit components while making adjustments.
4. Use an insulated tuning tool for all adjustments.
5. DO NOT force any of the variable components. Turn them slowly and smoothly.
6. Follow the instructions exactly. If an indicated result is not obtained, repeat the instruction until the correct result is obtained.
7. Check the condition of connectors, solder joints and screws when adjustments are complete. Make sure components DO NOT touch each other.
8. Confirm defective operation of the transceiver first when checking an out-of-service unit. Verify that external sources DO NOT cause the problem.
9. Use the correct tools and test equipment.
10. Remove the transceiver case as shown in SECTION 5-1.
11. For transmission problems, attach a dummy load to the ANTENNA CONNECTOR. For reception problems, attach an antenna or signal generator to the ANTENNA CONNECTOR. DO NOT transmit into the signal generator.
12. Recheck for the suspected malfunction with the POWER SWITCH ON.
13. Check the defective circuit. Measure the DC voltages of the collector, base and emitter of each transistor.

## 6-2 PLL ADJUSTMENT



ADJUSTMENT	ADJUSTMENT CONDITIONS	MEASUREMENT		VALUE	ADJUSTMENT POINT		
		UNIT	LOCATION		UNIT	ADJUST	
DDS CLOCK	1	• Frequency display: 222.0000 MHz • Receive mode	DDS	Connect a frequency counter to IC4, pin 11.	5.24288 MHz	DDS	C1
2nd LO FREQUENCY AND OUTPUT LEVEL	1	• Frequency display: 222.0000 MHz • Receive mode	PLL	Connect a frequency counter to P3.	61.4400 MHz	PLL	L22
	2			Terminate P3 to ground with a 50Ω resistor. Connect an RF voltmeter to P3.	Adjust to maximum output. (-14~-10dBm)		L4, L5
NOTE: After completing the adjustment, return P3 to its original condition.							
LPL LOCK VOLTAGE	1	• Frequency display: 220.0540 MHz • FM mode	PLL	Connect a DC voltmeter to R91.	2V	PLL	C121
	2	• Frequency display: 220.0530 MHz • FM mode			approx. 3V		
MULTIPLIER OUTPUT LEVEL	1	• Frequency display: 220.0000 MHz • Receive mode	DDS	Connect an oscilloscope to J1, pin P1.	Adjust to maximum output.  2.0V or more 0.8V or less	PLL	L24, L25
SUB LOOP OUTPUT	1	• Frequency display: 220.0000 MHz • Receive mode	PLL	Connect an RF voltmeter to C90.	Adjust to maximum output. (75mVrms or more)	PLL	L31
HPL LOCK VOLTAGE	1	• Frequency display: 220.0000 MHz • FM mode	PLL	Connect a DC voltmeter to R23.	3V	PLL	L37
	2	• Frequency display: 225.0000 MHz • FM mode			approx. 3.6V		

# PLL AND DDS UNITS



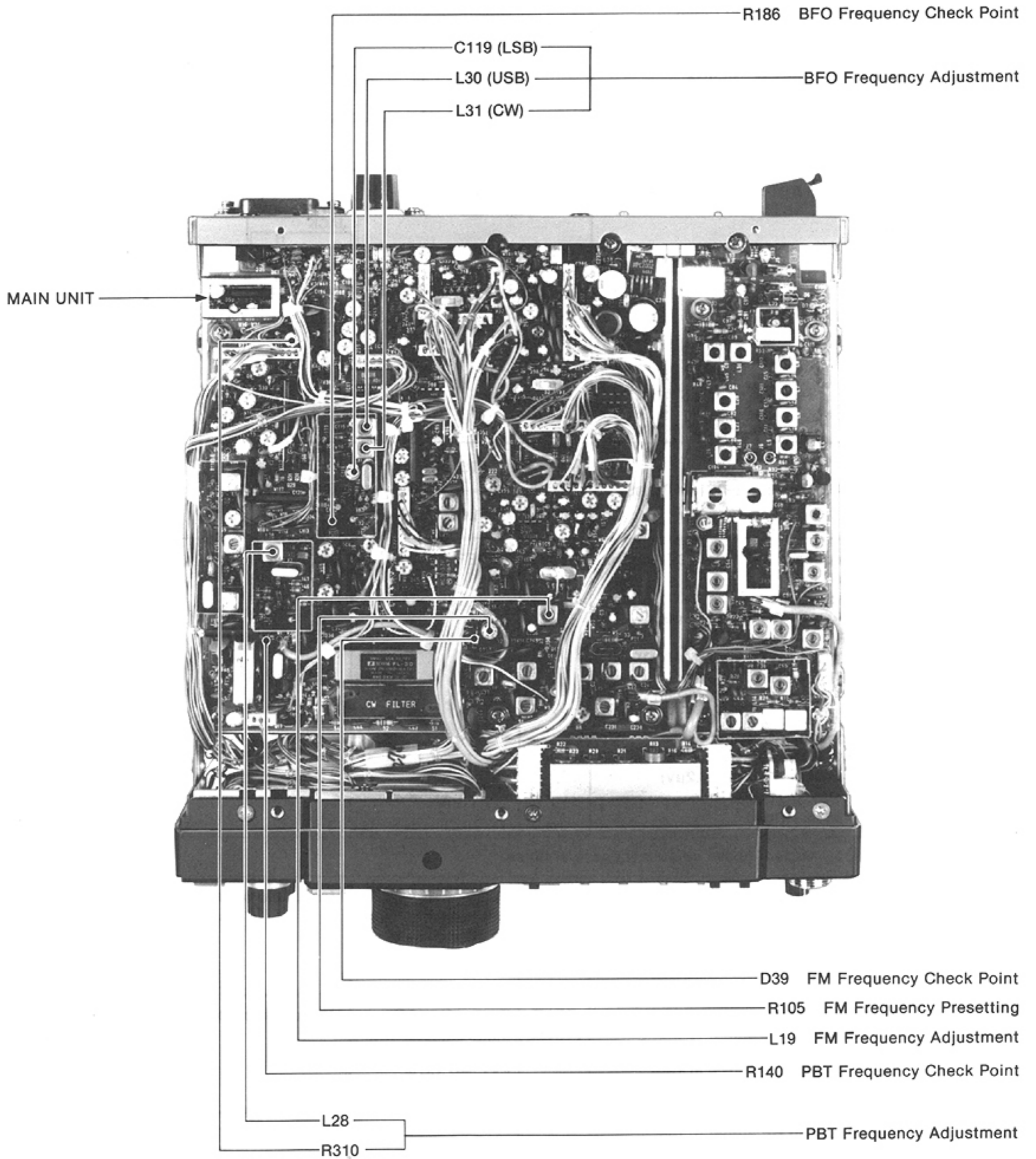
## 6-3 FREQUENCY ADJUSTMENT

TEST INSTRUMENTS REQUIRED	MEASUREMENT CONNECTION LOCATION
(1) AC POWER SUPPLY <ul style="list-style-type: none"> <li>• Output voltage : 13.8V DC</li> <li>• Current capacity : 10A or more</li> </ul> (2) FREQUENCY COUNTER <ul style="list-style-type: none"> <li>• Frequency range : 0.1~250MHz</li> <li>• Frequency accuracy : <math>\pm 1</math> ppm or better</li> <li>• Sensitivity : 100mV or better</li> </ul>	

ADJUSTMENT	ADJUSTMENT CONDITIONS	MEASUREMENT		VALUE	ADJUSTMENT POINT		
		UNIT	LOCATION		UNIT	ADJUST	
BFO FREQUENCY	1 <ul style="list-style-type: none"> <li>• Frequency display: 222.0000MHz</li> <li>• LSB mode</li> <li>• Receive mode</li> </ul>	MAIN	Connect a frequency counter to R186.	9.01300MHz	MAIN	C119	
	2 <ul style="list-style-type: none"> <li>• CW mode</li> <li>• Transmit mode</li> <li>• Connect a key to the KEY JACK and key down.</li> </ul>					9.01060MHz	L31
	3 <ul style="list-style-type: none"> <li>• USB mode</li> <li>• Receive mode</li> </ul>					9.01000MHz	L30
	4 <ul style="list-style-type: none"> <li>• CW mode</li> <li>• Receive mode</li> </ul>					9.00980MHz ( $\pm 150$ Hz)	Verify
PBT FREQUENCY	1 <ul style="list-style-type: none"> <li>• USB mode</li> <li>• PBT CONTROL: Center</li> <li>• Receive mode</li> </ul>	MAIN	Connect a frequency counter to R140.	9.46650MHz	MAIN	L28	
	2 <ul style="list-style-type: none"> <li>• PBT CONTROL: Max. CW</li> </ul>					9.46830MHz or higher	Verify
	3 <ul style="list-style-type: none"> <li>• PBT CONTROL: Max. CCW</li> </ul>					9.46470MHz or lower	
	4 <ul style="list-style-type: none"> <li>• PBT CONTROL: Center</li> <li>• FM mode</li> </ul>					9.46650MHz	R310
FM FREQUENCY	1 <ul style="list-style-type: none"> <li>• FM mode</li> <li>• Transmit mode</li> <li>• R105 (MAIN): Max. CW</li> </ul>	MAIN	Connect a frequency counter to the cathode of D39.	9.01150MHz	MAIN	L19	

CW: Clockwise CCW: Counterclockwise

MAIN UNIT



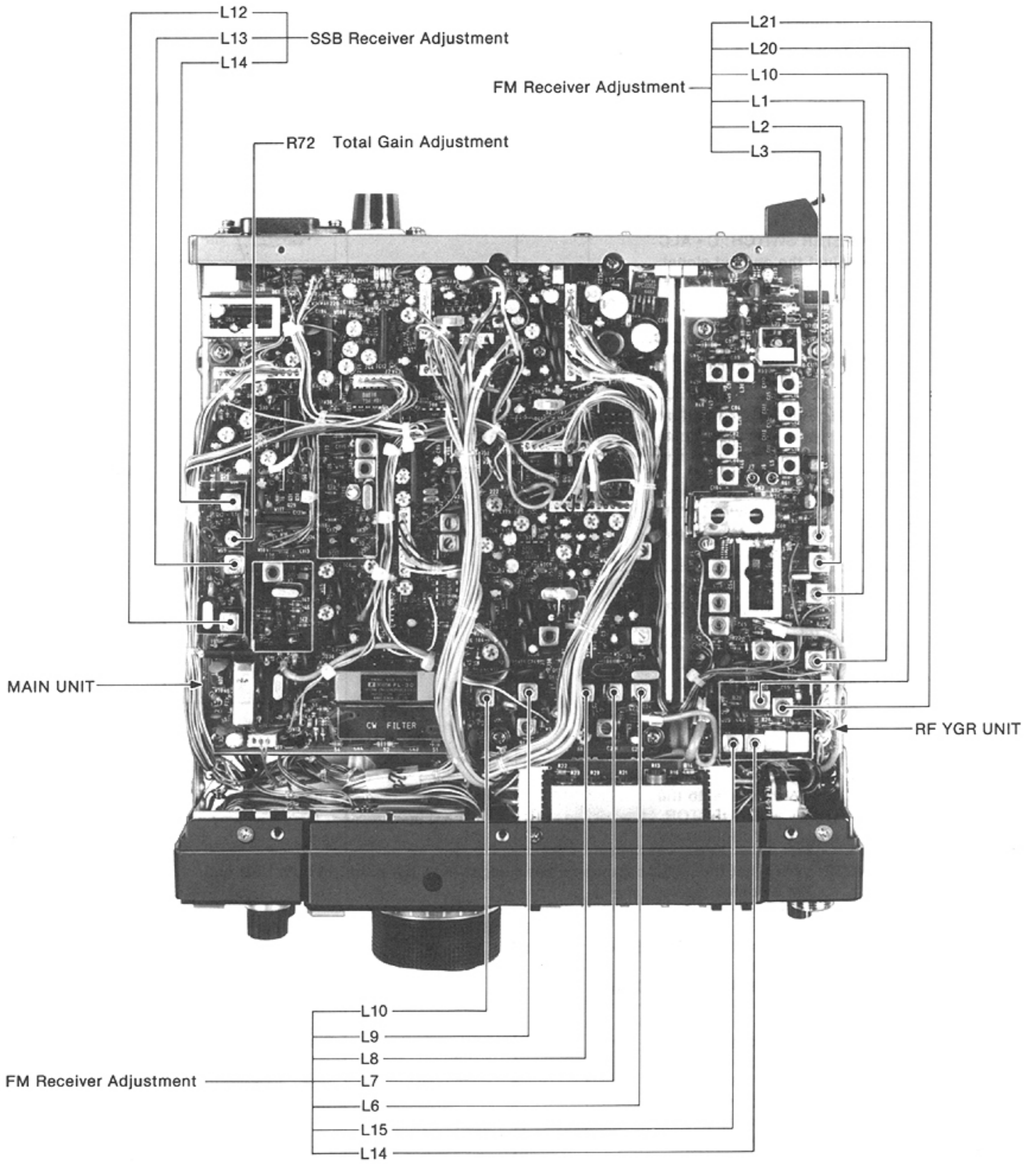
## 6-4 RECEIVER ADJUSTMENT

TEST INSTRUMENTS REQUIRED	MEASUREMENT CONNECTION LOCATION
(1) AC POWER SUPPLY <ul style="list-style-type: none"> <li>• Output voltage : 13.8V DC</li> <li>• Current capacity : 10A or more</li> </ul> (2) STANDARD SIGNAL GENERATOR (SSG) <ul style="list-style-type: none"> <li>• Frequency range : 0.1~250MHz</li> <li>• Output level : -127~-17dBm (0.1<math>\mu</math>V~32mV)</li> </ul> (3) DC VOLTMETER <ul style="list-style-type: none"> <li>• Input impedance : 50k<math>\Omega</math>/DC or better</li> </ul> (4) AC MILLI-VOLTMETER <ul style="list-style-type: none"> <li>• Measuring range : 10mV~10V</li> </ul> (5) EXTERNAL SPEAKER <ul style="list-style-type: none"> <li>• Impedance : 8<math>\Omega</math></li> </ul> (6) OHM METER <ul style="list-style-type: none"> <li>• Frequency range : DC~20MHz</li> <li>• Measuring range : 0.01~10V</li> </ul>	

ADJUSTMENT	ADJUSTMENT CONDITIONS	MEASUREMENT		VALUE	ADJUSTMENT POINT	
		UNIT	LOCATION		UNIT	ADJUST
FM RECEIVER	1 <ul style="list-style-type: none"> <li>• Frequency display: 222.6000MHz</li> <li>• FM mode</li> <li>• Receive mode</li> <li>• RF GAIN CONTROL: Max. CW</li> <li>• PREAMP: OFF</li> <li>• NOTCH FILTER SWITCH: OFF</li> <li>• PBT CONTROL: Center</li> <li>• AF TONE CONTROL: Center</li> <li>• SQUELCH CONTROL: Max. CCW</li> <li>• Apply an RF signal to the ANTENNA CONNECTOR. Level: -97dBm (3.2<math>\mu</math>V) Dev. : <math>\pm</math>5kHz Mod. : 1kHz</li> </ul>	FRONT PANEL	METER	Maximum	RF YGR	L3, L2, L1, L10, L20, L21, L14, L15
					MAIN	L6, L7, L8, L9, L10
NOTE: Repeat above adjustment several times.						
SSB RECEIVER	1 <ul style="list-style-type: none"> <li>• USB mode</li> <li>• Apply an RF signal to the ANTENNA CONNECTOR. Level: -127dBm (0.1<math>\mu</math>V) Mod. : OFF</li> </ul>	REAR PANEL	Connect an AC milli-voltmeter with an 8 $\Omega$ load to the EXT. SP JACK.	Max. audio output	MAIN	L12, L13, L14,
TOTAL GAIN	1 <ul style="list-style-type: none"> <li>• USB mode</li> <li>• Apply an RF signal to the ANTENNA CONNECTOR. Level: -127dBm (0.1<math>\mu</math>V) Mod. : OFF</li> </ul>	REAR PANEL	Connect an AC milli-voltmeter with an 8 $\Omega$ load to the EXT. SP JACK.	Max. audio output	FRONT PANEL	TUNING CONTROL
					2	<ul style="list-style-type: none"> <li>• Apply an RF signal to the ANTENNA CONNECTOR. Level: -97dBm (3.2<math>\mu</math>V) Mod. : OFF</li> </ul>
	<ul style="list-style-type: none"> <li>• Apply no signal to the ANTENNA CONNECTOR.</li> </ul>					

CW: Clockwise CCW: Counterclockwise

# MAIN AND RF YGR UNITS



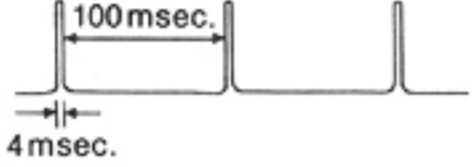
## RECEIVER ADJUSTMENT (CONTINUED)

ADJUSTMENT	ADJUSTMENT CONDITIONS	MEASUREMENT		VALUE	ADJUSTMENT POINT		
		UNIT	LOCATION		UNIT	ADJUST	
CENTER METER	1	<ul style="list-style-type: none"> <li>• FM mode</li> <li>• Apply an RF signal to the ANTENNA CONNECTOR. Level: <math>-77\text{ dBm}</math> (<math>32\mu\text{V}</math>) Mod.: OFF</li> </ul>	MAIN	Connect a DC voltmeter to W64.	3V	MAIN	L23
	2	<ul style="list-style-type: none"> <li>• Apply an RF signal to the ANTENNA CONNECTOR. Level: <math>-97\text{ dBm}</math> (<math>3.2\mu\text{V}</math>) Dev.: <math>\pm 3.5\text{ kHz}</math> Mod.: 1kHz</li> <li>• METER SWITCH: C • ALC</li> <li>• Adjust the applied signal frequency (approx. +4kHz of the center freq.) to max. indication on the right side of the meter.</li> </ul>	FRONT PANEL	METER	80% of full scale		R121
	3	<ul style="list-style-type: none"> <li>• Apply no signal to the ANTENNA CONNECTOR.</li> </ul>			Center		
	NOTE: Repeat above adjustments 1 through 3 several times. Verify that the meter movement becomes 20%~80% when the applied frequency changes.						
S-METER	1	<ul style="list-style-type: none"> <li>• USB mode</li> <li>• Apply an RF signal to the ANTENNA CONNECTOR. Level: <math>-97\text{ dBm}</math> (<math>3.2\mu\text{V}</math>) Mod.: OFF</li> </ul>	FRONT PANEL	METER	S9 (S-scale)	MAIN	R24
	2	<ul style="list-style-type: none"> <li>• Apply an RF signal to the ANTENNA CONNECTOR. Level: <math>-47\text{ dBm}</math> (1mV)</li> </ul>			Full scale		R14
	3	<ul style="list-style-type: none"> <li>• FM mode</li> <li>• Apply an RF signal to the ANTENNA CONNECTOR. Level: <math>-107\text{ dBm}</math> (<math>1\mu\text{V}</math>) Dev.: <math>\pm 3.5\text{ kHz}</math> Mod.: 1kHz</li> </ul>			Maximum (S-scale)		L36
	4				S5 (S-scale)		R221
	5	<ul style="list-style-type: none"> <li>• Apply an RF signal to the ANTENNA CONNECTOR. Level: <math>-67\text{ dBm}</math> (0.1mV)</li> </ul>			Full scale		R222
	NOTE: Verify that the meter balance on band edges is within $\pm 3\text{ dB}$ in both USB and FM modes.						
RF GAIN	1	<ul style="list-style-type: none"> <li>• USB mode</li> <li>• Apply no signal to the ANTENNA CONNECTOR.</li> <li>• RF GAIN CONTROL: Max. CCW</li> </ul>	FRONT PANEL	METER	Full scale	MAIN	R29
	2	<ul style="list-style-type: none"> <li>• FM mode</li> <li>• Apply an RF signal to the ANTENNA CONNECTOR. Level: <math>-87\text{ dBm}</math> (<math>10\mu\text{V}</math>) Dev.: <math>\pm 3.5\text{ kHz}</math> Mod.: 1kHz</li> <li>• RF GAIN CONTROL: Max. CCW</li> </ul>			S5 (S-scale)		R31
SQUELCH UNIT	1	<ul style="list-style-type: none"> <li>• FM mode</li> <li>• Apply an RF signal to the ANTENNA CONNECTOR. Level: <math>-125\text{ dBm}</math> (<math>0.13\mu\text{V}</math>) Mod.: OFF</li> </ul>	MAIN	Connect an ohm meter between J13, pin 9 and ground.	0 $\Omega$	MAIN	R323
	2	<ul style="list-style-type: none"> <li>• Apply no signal to the ANTENNA CONNECTOR.</li> </ul>			$\infty$		Verify



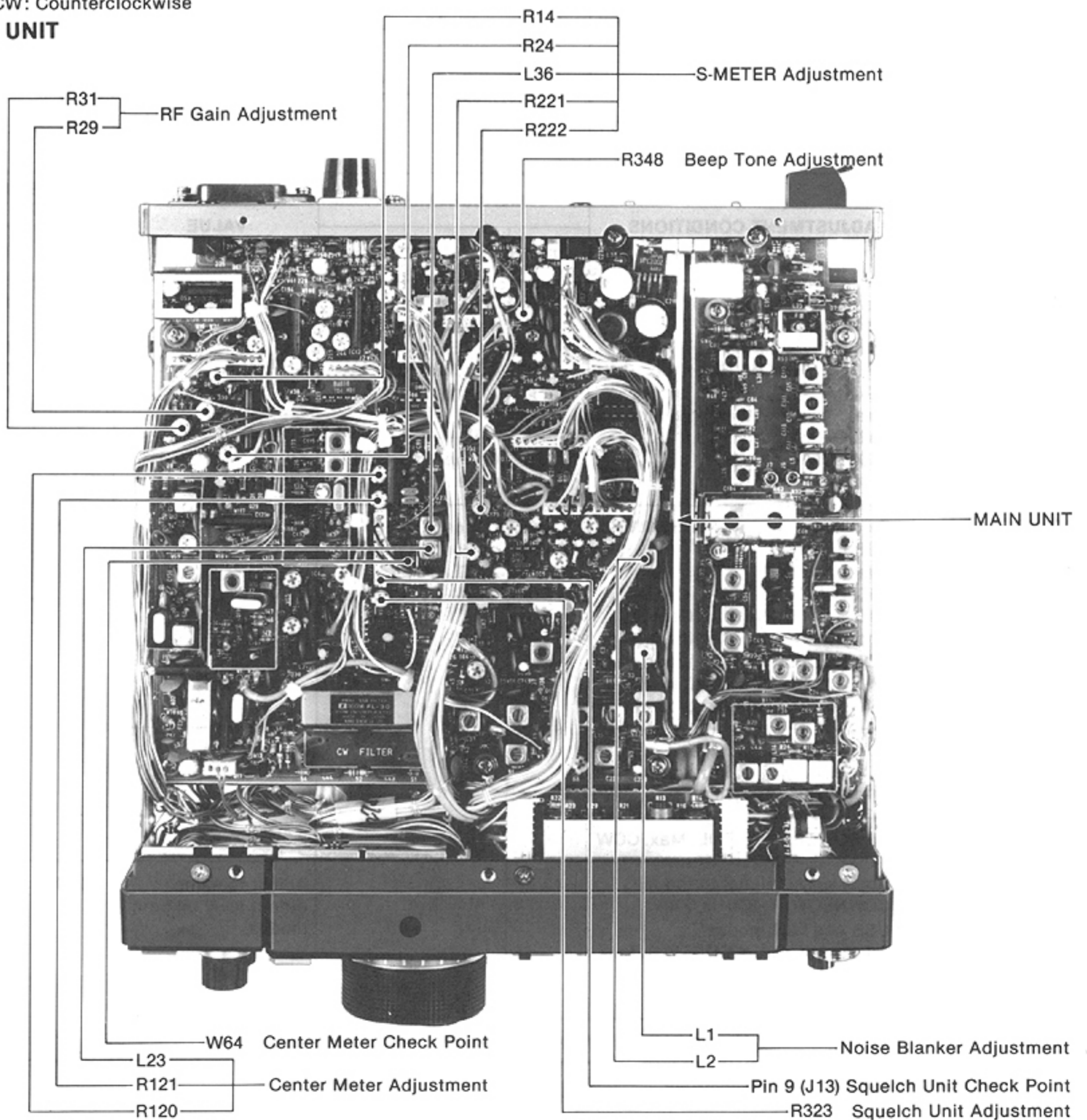


# RECEIVER ADJUSTMENT (CONTINUED)

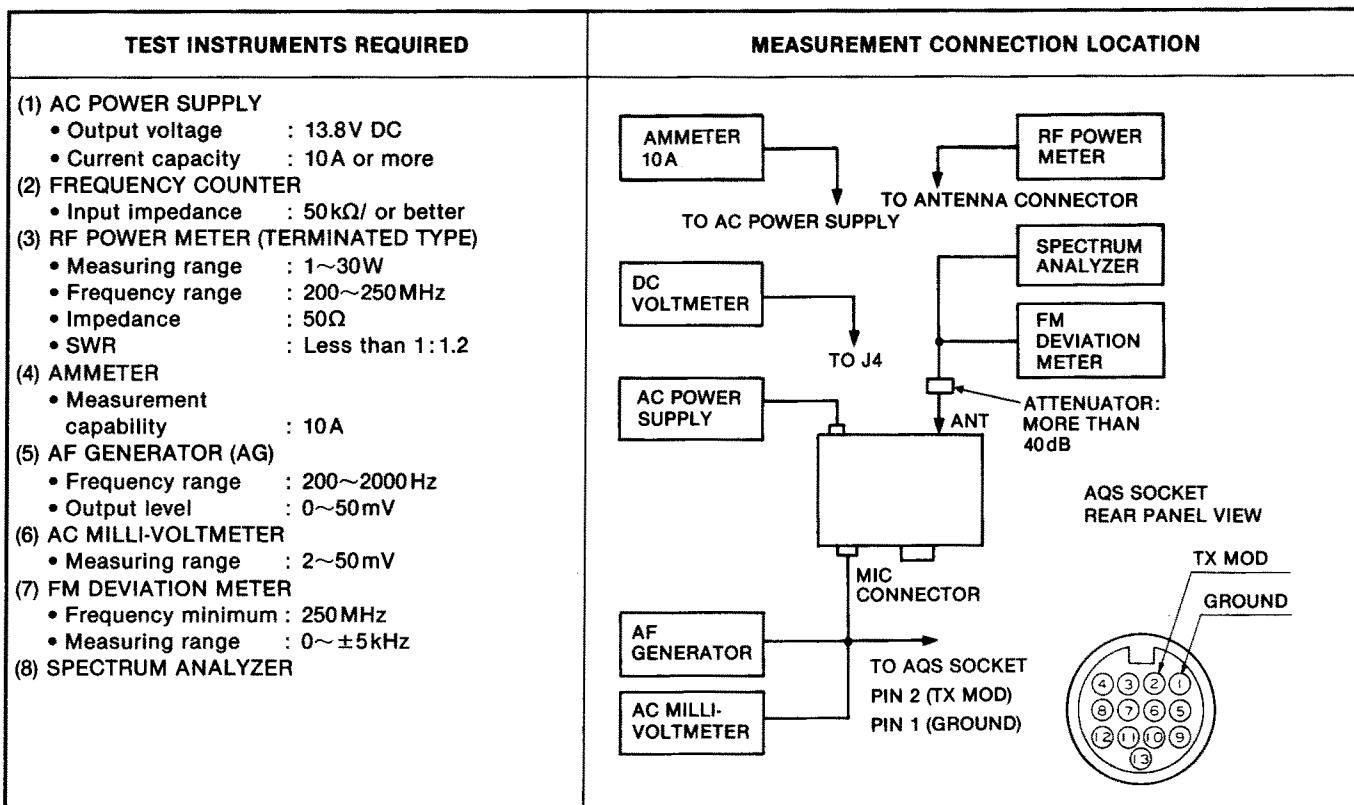
ADJUSTMENT	ADJUSTMENT CONDITIONS	MEASUREMENT		VALUE	ADJUSTMENT POINT	
		UNIT	LOCATION		UNIT	ADJUST
NOISE BALANKER	1 <ul style="list-style-type: none"> <li>• USB mode</li> <li>• Apply an RF signal including the following pulse-type noise to the ANTENNA CONNECTOR.</li> </ul> 	REAR PANEL	Connect an oscilloscope with an 8Ω load to the EXT. SP JACK.	Adjust to minimum waveform on the oscilloscope.	MAIN	L1, L2
BEEP TONE	1 <ul style="list-style-type: none"> <li>• Push any switch which activates the beep sound.</li> </ul>	TOP COVER	Speaker	Verify that the level of beep sound is adjustable.	MAIN	R348
NOTE: Set R348 to center position after verification.						

CCW: Counterclockwise

## MAIN UNIT



## 6-5 TRANSMITTER ADJUSTMENT



ADJUSTMENT	ADJUSTMENT CONDITIONS	MEASUREMENT		VALUE	ADJUSTMENT POINT	
		UNIT	LOCATION		UNIT	ADJUST
FM OUTPUT POWER	1 <ul style="list-style-type: none"> <li>• Frequency display: 222.5000MHz</li> <li>• FM mode</li> <li>• Transmit mode</li> <li>• RF POWER CONTROL: Max. CW</li> <li>• W9 (MAIN): Connect a jumper wire between W9 and ground.</li> </ul>	REAR PANEL	Connect an RF power meter to the ANTENNA CONNECTOR.	Adjust to maximum output.	MAIN	L16, L15
	2 <ul style="list-style-type: none"> <li>• R82: Center</li> <li>• R105: Center</li> </ul>	MAIN	Connect a DC voltmeter to J4, pin 7.	Adjust to minimum output.	PA (SWR)	R5
OUTPUT POWER	1 <ul style="list-style-type: none"> <li>• Frequency display: 222.5000MHz</li> <li>• USB mode</li> <li>• Transmit mode</li> <li>• MIC TONE CONTROL: Center</li> <li>• MIC GAIN CONTROL: Center</li> <li>• Apply an AF signal to the MIC CONNECTOR: 1.5kHz, 2mV.</li> <li>• W9 (MAIN): Connect a jumper wire between W9 and ground.</li> </ul>	REAR PANEL	Connect an RF power meter to the ANTENNA CONNECTOR.	12.5W	MAIN	R82
	2 <ul style="list-style-type: none"> <li>• Apply an AF signal to the MIC CONNECTOR: 1.5kHz, 20mV.</li> <li>• RF POWER CONTROL: Max. CW</li> </ul>			25W		R259
	3 <ul style="list-style-type: none"> <li>• RF POWER CONTROL: Max. CCW</li> </ul>			2.5W		R256
(BALANCE)	4 <ul style="list-style-type: none"> <li>• Apply an AF signal to the MIC CONNECTOR: 300Hz, 2mV.</li> <li>• USB and LSB modes.</li> <li>• Adjust MIC GAIN CONTROL to a point where the power level is 2.5W.</li> </ul>			Adjust to same output level on both modes.	MAIN	C119
NOTE: After adjustment, remove the jumper wire from W9.						

CW: Clockwise CCW: Counterclockwise

# MAIN AND RF YGR UNITS

R105 FM Output Power Presetting

Pin 7 (J4) FM Output Power Check Point

C119 Balance Adjustment

Output Power Adjustment

R259

R256

L16

L15

L12

L11

L17

L18

L19

C103

FM Output Power Adjustment

MAIN UNIT

RF YGR UNIT

W9 FM Output Power Presetting



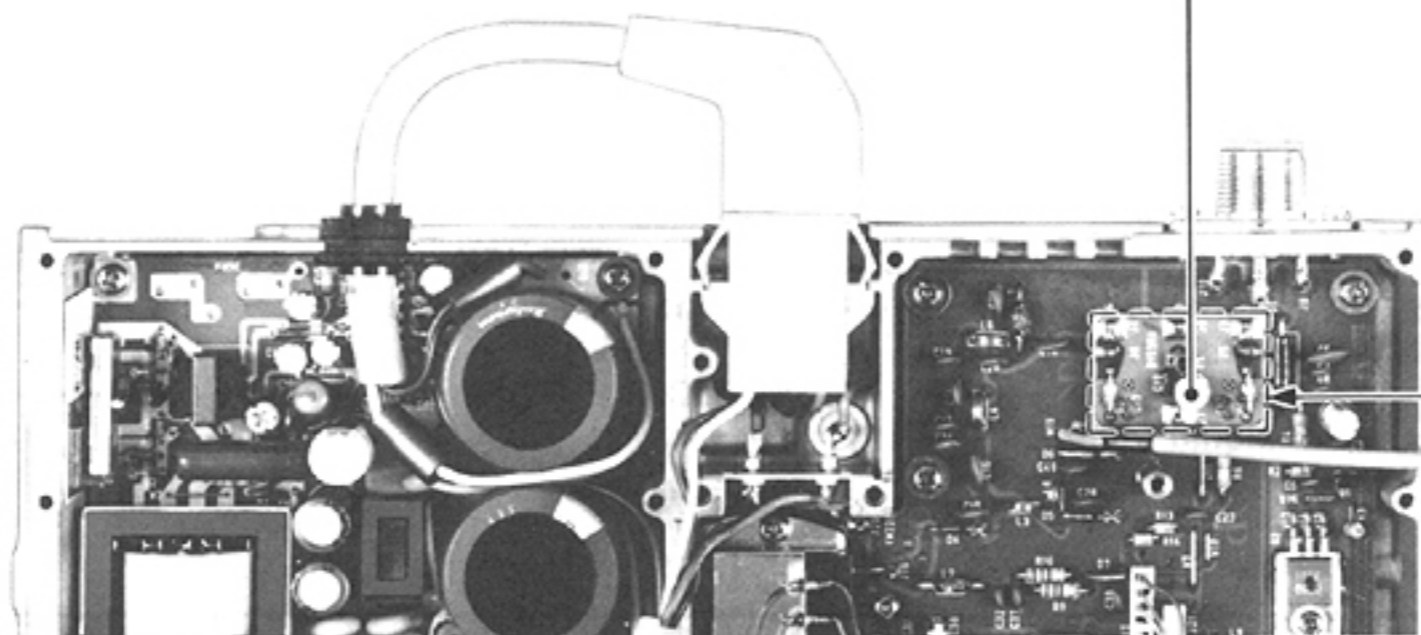
To Ground (Chassis)

R82 Output Power Adjustment

# PA (SWR) UNIT

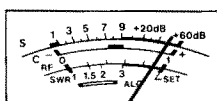
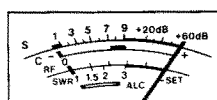
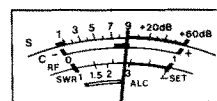
R5 FM Output Power Adjustment

PA (SWR) UNIT



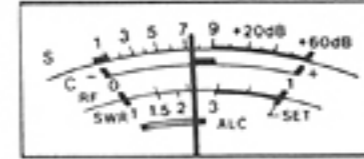
## TRANSMITTER ADJUSTMENT (CONTINUED)

ADJUSTMENT		ADJUSTMENT CONDITIONS	MEASUREMENT		VALUE	ADJUSTMENT POINT		
			UNIT	LOCATION		UNIT	ADJUST	
APC SET	1	<ul style="list-style-type: none"> <li>Adjust TUNING CONTROL to a point where the current level is maximum.</li> <li>USB mode</li> <li>Transmit mode</li> <li>MIC TONE CONTROL: Center</li> <li>MIC GAIN CONTROL: Center</li> <li>Apply an AF signal to the MIC CONNECTOR: 1.5kHz, 20mV.</li> <li>RF POWER CONTROL: Max. CW</li> <li>R244: Max. CCW</li> </ul>	REAR PANEL	Connect an RF power meter to the ANTENNA CONNECTOR.	5W	MAIN	R250	
	2	<ul style="list-style-type: none"> <li>AC POWER SUPPLY: 11.73V</li> </ul>					Turn R244 CW and adjust to a point just before the output power drops.	R244
	3	<ul style="list-style-type: none"> <li>FM mode</li> <li>RF POWER CONTROL: Max. CW</li> <li>Remove any connection from the ANTENNA CONNECTOR.</li> </ul>					Connect an ammeter between the AC power supply and IC-375A.	Less than 7.0A
ALC METER	1	<ul style="list-style-type: none"> <li>USB mode</li> <li>Transmit mode</li> <li>Apply an AF signal to the MIC CONNECTOR: 1.5kHz, 10mV.</li> <li>METER SWITCH: C • ALC</li> </ul>	FRONT PANEL	METER	100% (ALC scale)	MAIN	R265	
RF METER (SET)	1	<ul style="list-style-type: none"> <li>FM mode</li> <li>Transmit mode</li> <li>Apply an AF signal to the MIC CONNECTOR: 1.5kHz, 20mV.</li> <li>METER SWITCH: S • RF</li> <li>TX-METER SWITCH: SET</li> </ul>	REAR PANEL	Connect an RF power meter to the ANTENNA CONNECTOR.	10W	FRONT PANEL	RF POWER CONTROL	
	2		FRONT PANEL	METER	SWR SET position	MAIN	R240	
	(SWR)	3	<ul style="list-style-type: none"> <li>TX-METER SWITCH: SWR</li> </ul>			Less than 1.2 (SWR scale)		Verify
	(RF)	4	<ul style="list-style-type: none"> <li>TX-METER SWITCH: RF</li> <li>RF POWER CONTROL: Max. CW</li> </ul>			90% (RF scale)		R257
COMP LEVEL	1	<ul style="list-style-type: none"> <li>USB mode</li> <li>Apply an AF signal to the MIC CONNECTOR: 1.5kHz, 5mV.</li> </ul>	REAR PANEL	Connect an RF power meter to the ANTENNA CONNECTOR.	12.5W	FRONT PANEL	MIC GAIN CONTROL	
	2	<ul style="list-style-type: none"> <li>Apply an AF signal to the MIC CONNECTOR: 1.5kHz, 1.6mV. (10dB down)</li> <li>COMP SWITCH: ON</li> </ul>			12.5W	REAR PANEL	COMP LEVEL	



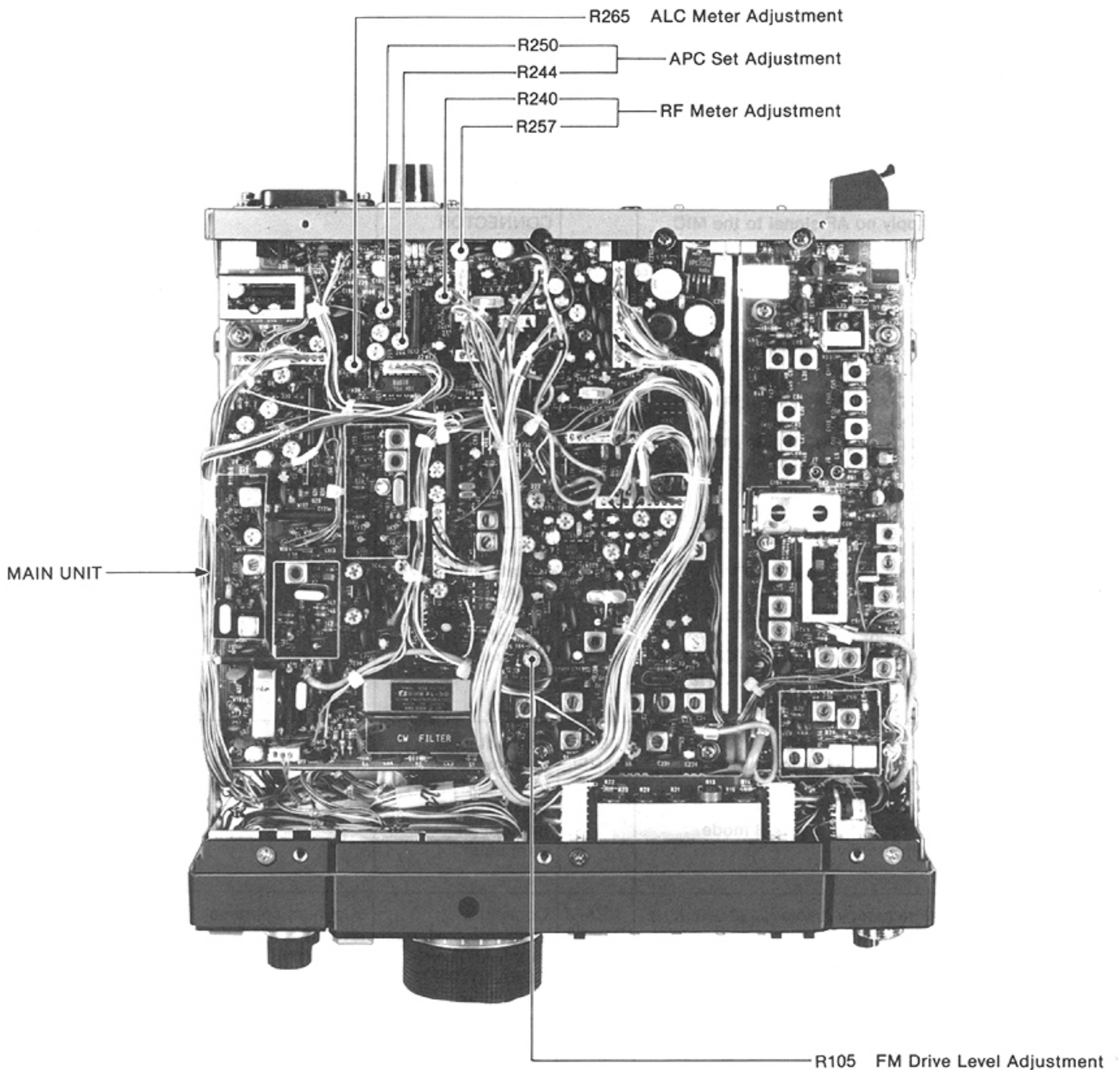
## TRANSMITTER ADJUSTMENT (CONTINUED)

ADJUSTMENT	ADJUSTMENT CONDITIONS	MEASUREMENT		VALUE	ADJUSTMENT POINT	
		UNIT	LOCATION		UNIT	ADJUST
FM DRIVE LEVEL	1 <ul style="list-style-type: none"> <li>• Frequency display: 222.0000MHz</li> <li>• FM mode</li> <li>• Transmit mode</li> <li>• Apply no AF signal to the MIC CONNECTOR.</li> <li>• METER SWITCH: C • ALC</li> </ul>	FRONT PANEL	METER	80% (ALC scale)	MAIN	R105

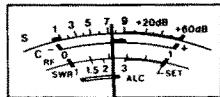


CW: Clockwise CCW: Counterclockwise

## MAIN UNIT

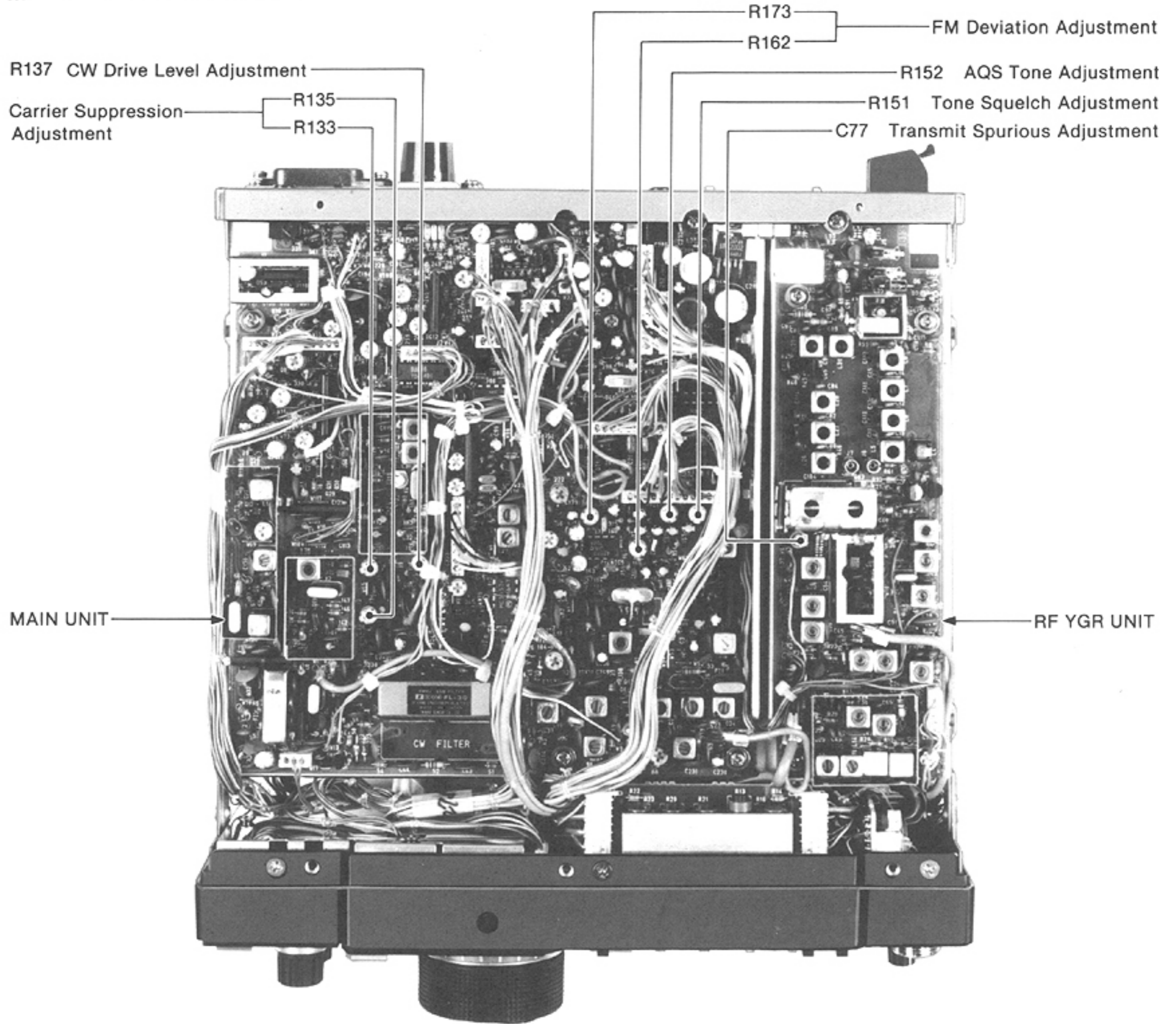


## TRANSMITTER ADJUSTMENT (CONTINUED)

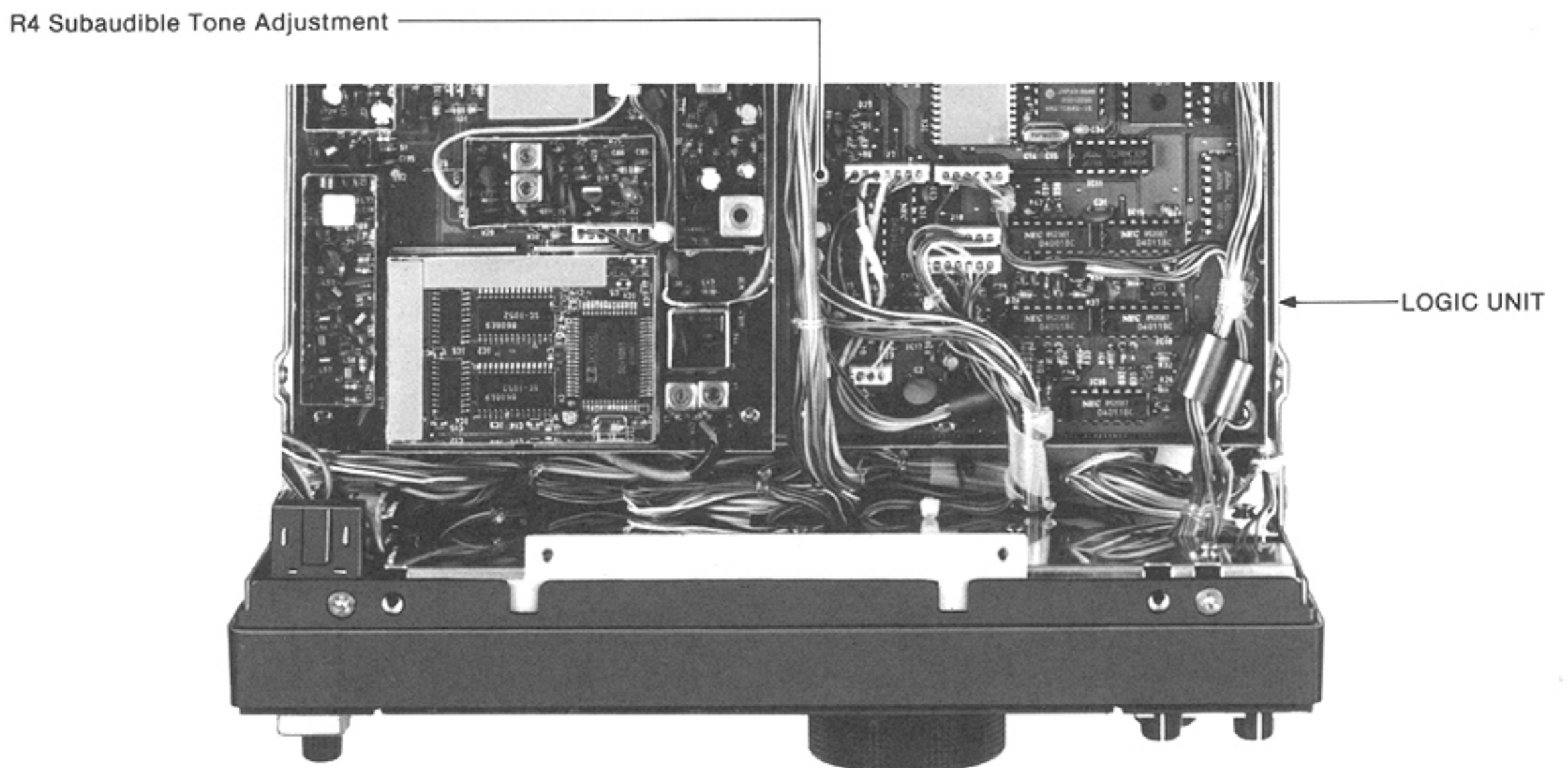
ADJUSTMENT		ADJUSTMENT CONDITIONS	MEASUREMENT		VALUE	ADJUSTMENT POINT	
			UNIT	LOCATION		UNIT	ADJUST
CW DRIVE	1	<ul style="list-style-type: none"> <li>• CW mode</li> <li>• Transmit mode</li> <li>• Connect a key to the KEY JACK and key down.</li> <li>• METER SWITCH: C • ALC</li> </ul>	FRONT PANEL	METER	80% (ALC scale)	MAIN	R137
							
FM DEVIATION	1	<ul style="list-style-type: none"> <li>• FM mode</li> <li>• Transmit mode</li> <li>• MIC TONE CONTROL: Center</li> <li>• MIC GAIN CONTROL: Center</li> <li>• Apply an AF signal to the MIC CONNECTOR: 1kHz, 20mV.</li> </ul>	REAR PANEL	Connect an FM deviation meter to the ANTENNA CONNECTOR through an attenuator.	±4.8kHz	MAIN	R162
	2	<ul style="list-style-type: none"> <li>• Apply an AF signal to the MIC CONNECTOR: 1kHz, 2mV.</li> </ul>			±3.5kHz		R173
SUBAUDIBLE TONE	1	<ul style="list-style-type: none"> <li>• Frequency display: 222.0000MHz</li> <li>• FM mode</li> <li>• Transmit mode</li> <li>• Apply no AF signal to the MIC CONNECTOR.</li> <li>• TONE SWITCH: ON</li> <li>• TONE FREQUENCY: 67.0Hz</li> </ul>	REAR PANEL	Connect an FM deviation meter to the ANTENNA CONNECTOR through an attenuator.	±0.5kHz	LOGIC	R4
AQS TONE	1	<ul style="list-style-type: none"> <li>• FM mode</li> <li>• Transmit mode</li> <li>• Apply no AF signal to the MIC CONNECTOR.</li> <li>• Apply an AF signal to the AQS SOCKET, pin 2: 1.2kHz, 300mV (pin 1 is ground).</li> </ul>	REAR PANEL	Connect an FM deviation meter to the ANTENNA CONNECTOR through an attenuator.	±4kHz	MAIN	R152
TONE SQUELCH	1	<ul style="list-style-type: none"> <li>• FM mode</li> <li>• Apply no AF signal to the MIC CONNECTOR.</li> <li>• Connect P46 and P47 to UT-34 (option).</li> <li>• TONE SQUELCH SWITCH: ON</li> <li>• TONE FREQUENCY: 67.0Hz</li> </ul>	REAR PANEL	Connect an FM deviation meter to the ANTENNA CONNECTOR through an attenuator.	±0.5kHz	MAIN	R151
CARRIER SUPPRESSION	1	<ul style="list-style-type: none"> <li>• USB mode</li> <li>• Apply no AF signal to the MIC CONNECTOR.</li> <li>• Transmit mode</li> <li>• Select USB and LSB mode alternately.</li> </ul>	REAR PANEL	Connect a spectrum analyzer to the ANTENNA CONNECTOR through an attenuator.	Minimum carrier level (Less than -40dB) Same carrier level (USB and LSB mode)	MAIN	R133, R135
TRANSMIT SPURIOUS LEVEL	1	<ul style="list-style-type: none"> <li>• Frequency display: 220.0000MHz</li> <li>• FM mode</li> <li>• Apply no AF signal to the MIC CONNECTOR.</li> <li>• RF POWER CONTROL: Max. CW</li> <li>• Transmit mode</li> </ul>	REAR PANEL	Connect a spectrum analyzer to the ANTENNA CONNECTOR through an attenuator.	Minimum spurious level of carrier frequency ±8.6455MHz.	RF YGR	C77

CW: Clockwise

**MAIN AND RF YGR UNITS**



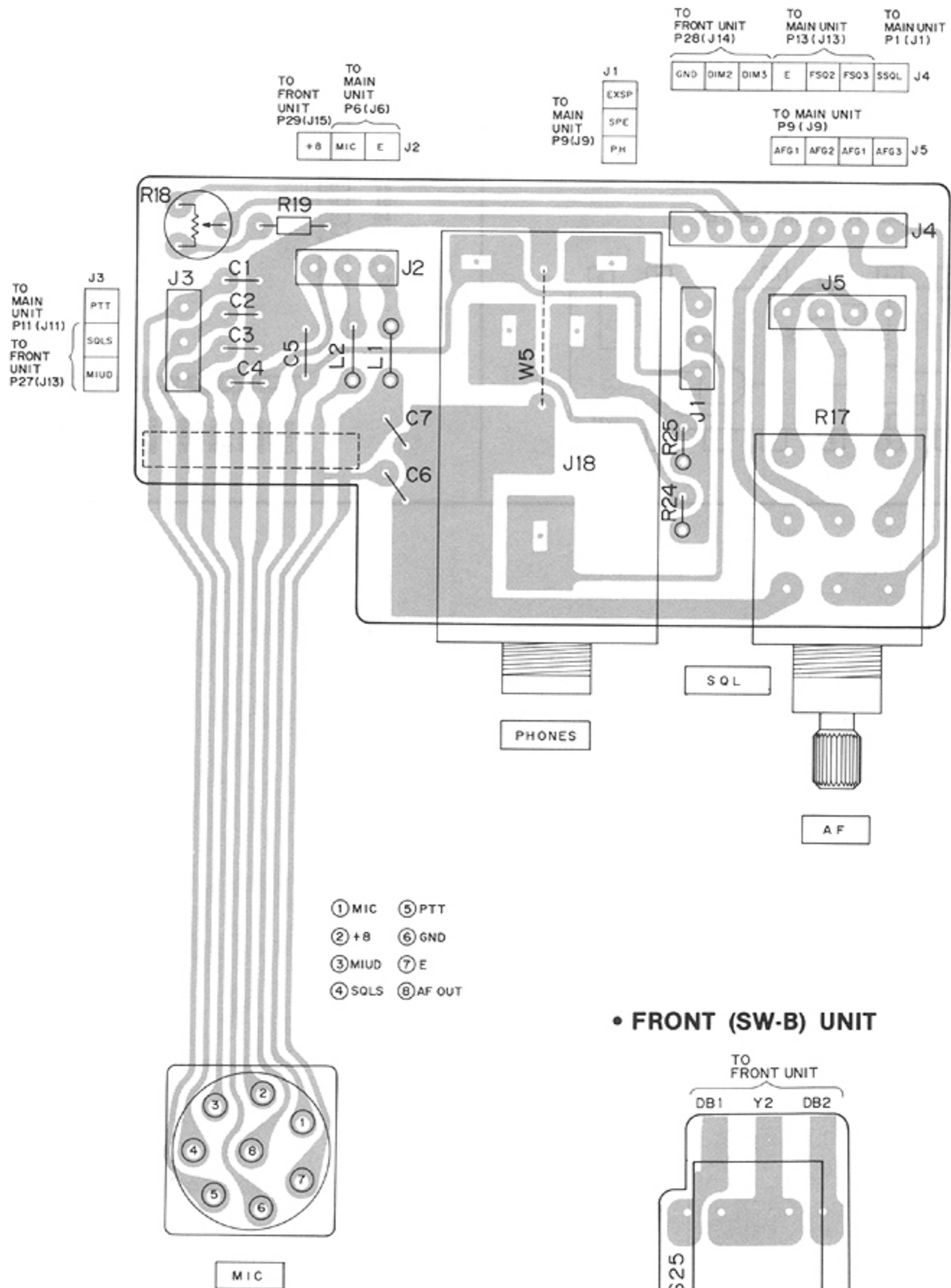
**LOGIC UNIT**



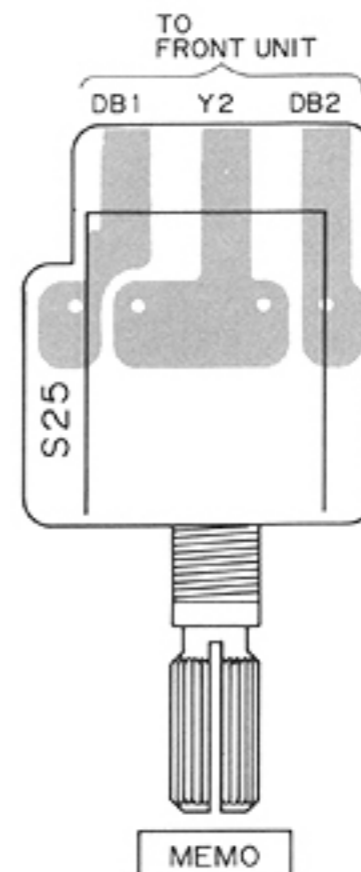
# SECTION 7 BOARD LAYOUTS

## 7-1 FRONT UNITS (1)

### • FRONT (SW-A) UNIT

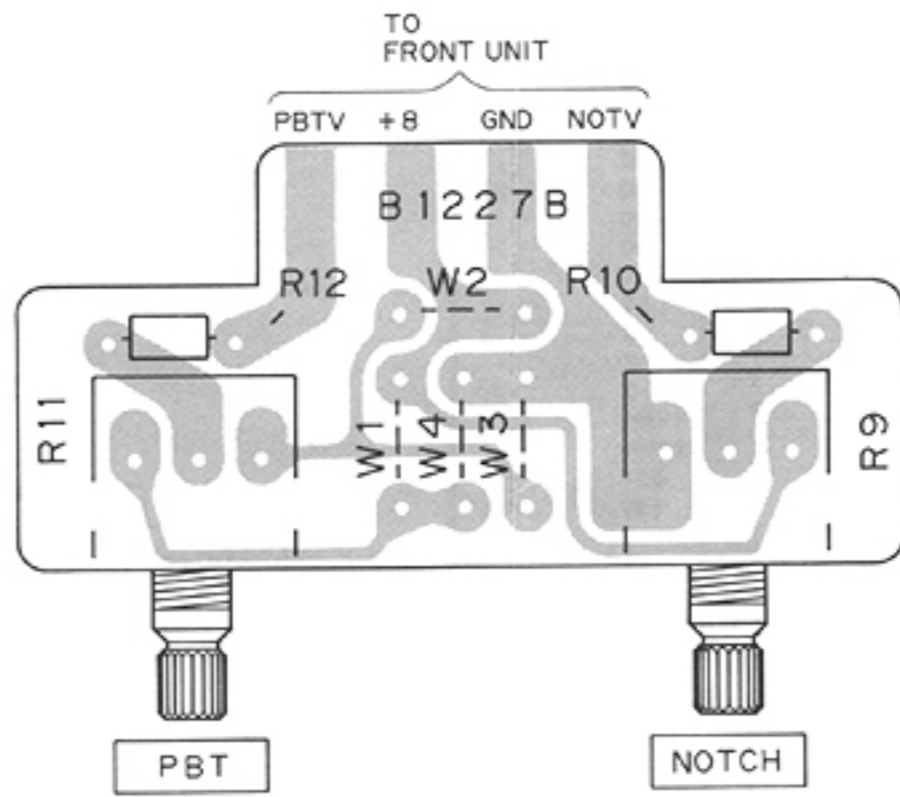


### • FRONT (SW-B) UNIT

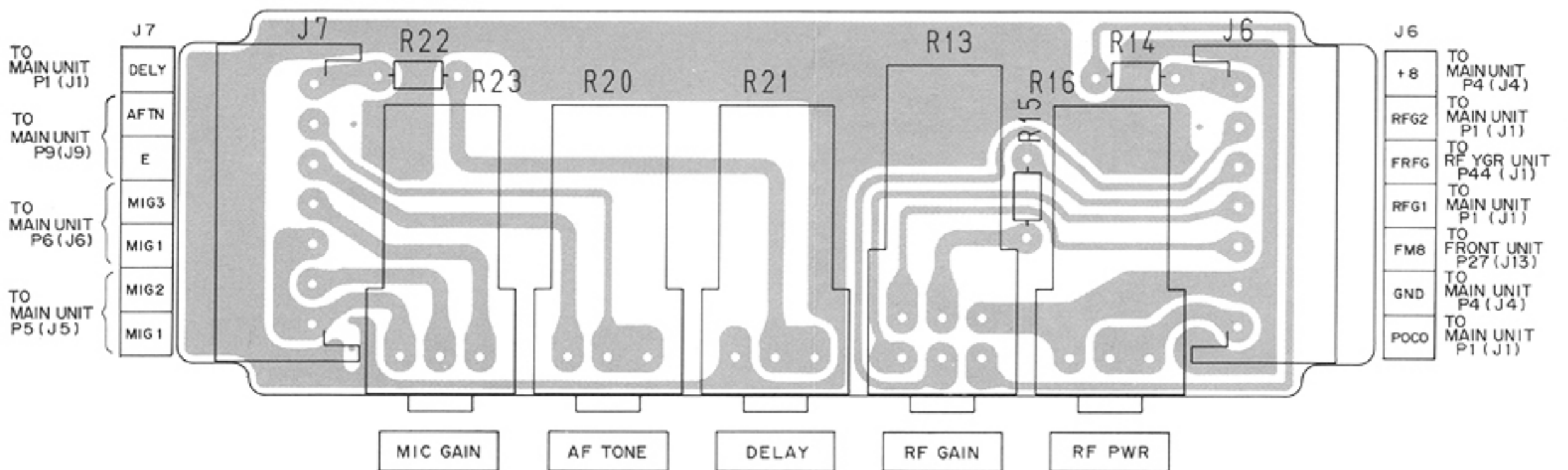




• FRONT (VR-A) UNIT

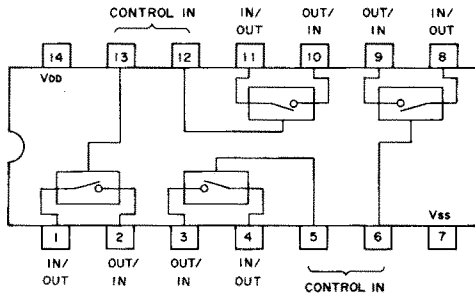


• FRONT (VR-B) UNIT

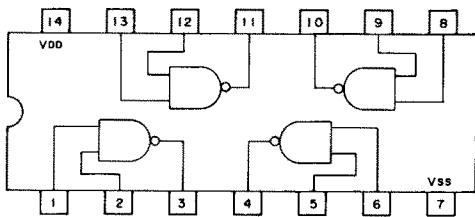


## 7-2 FRONT UNIT (2)

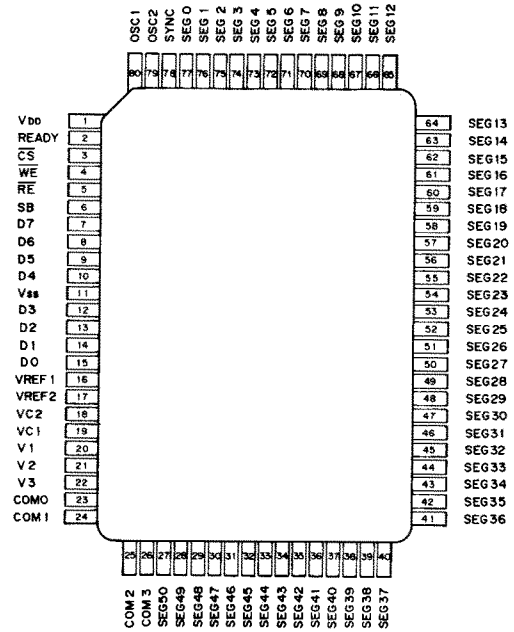
**μPD4066BC IC1  
(QUAD BILATERAL SWITCHING)**



**μPD4011BC IC2  
(QUAD 2-INPUT POSITIVE NAND GATE)**

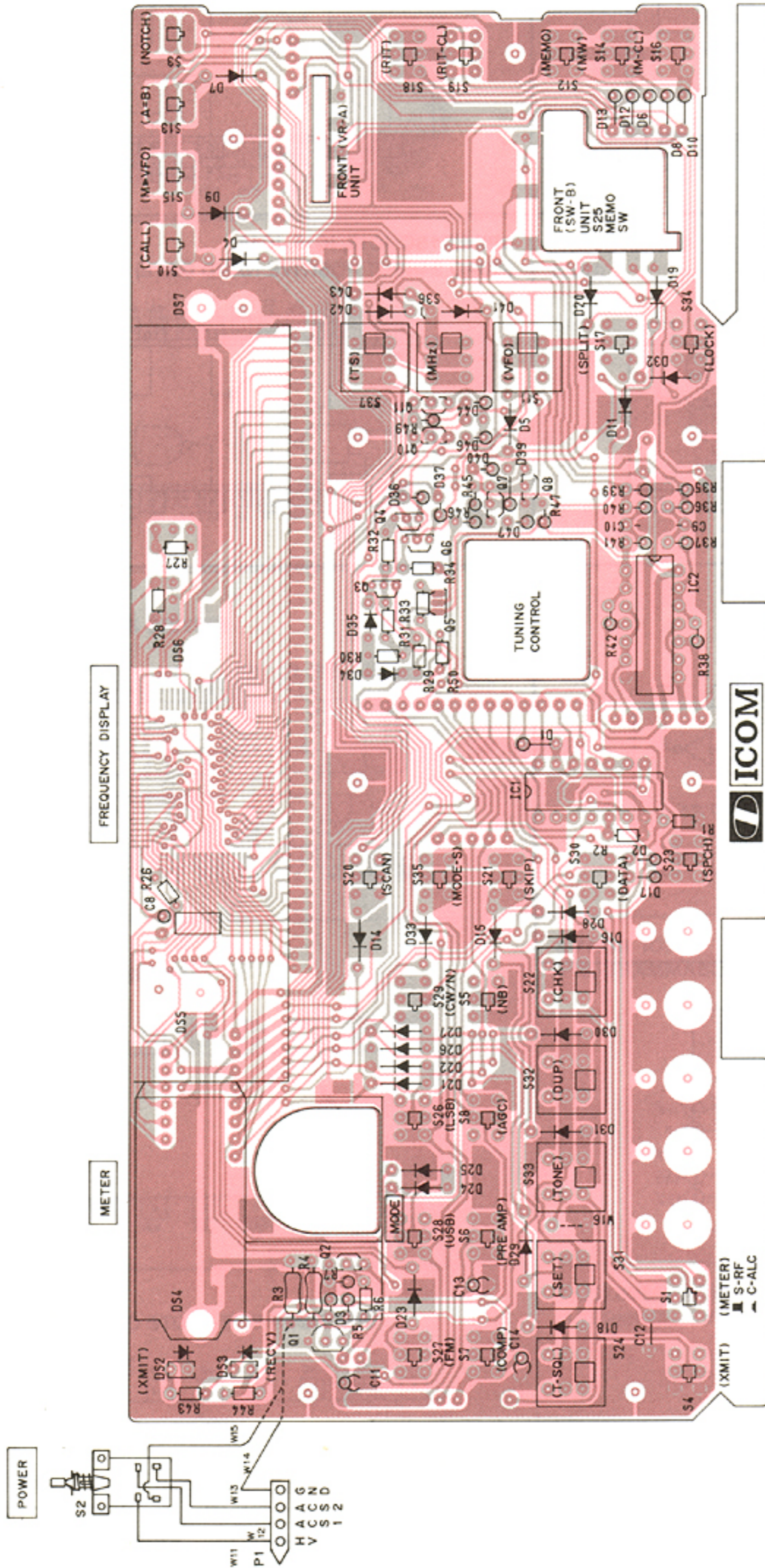


**HD61602 IC3  
(LCD DRIVER)**



• FRONT UNIT

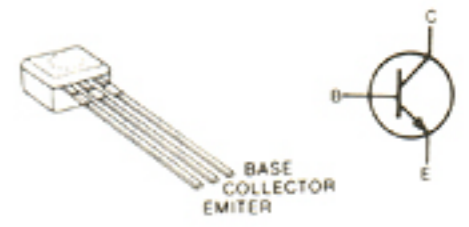
COMPONENTS SIDE



**2SB562**  
Q1



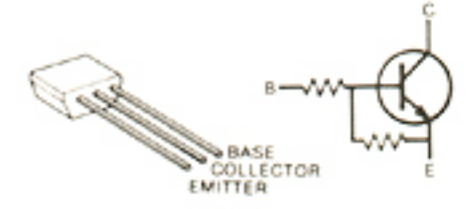
**2SC2785**  
Q2, Q3, Q4, Q6, Q8, Q11



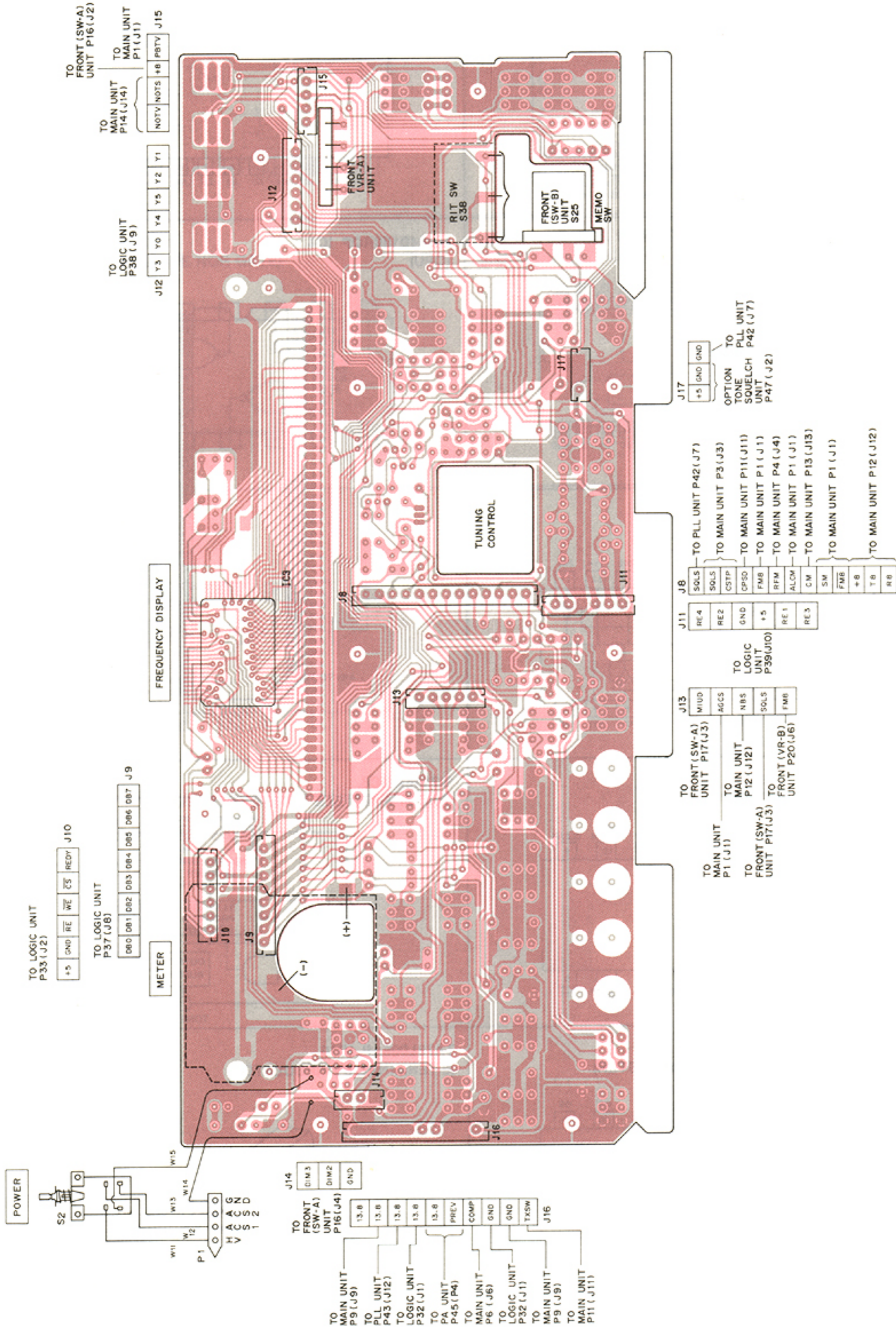
**2SA1048**  
Q5, Q7



**RN1204**  
Q10



**FOIL SIDE**



TO LOGIC UNIT P33 (J2)

+5	GND	RE	WE	CS	RDY	J10
----	-----	----	----	----	-----	-----

TO LOGIC UNIT P37 (J8)

000	001	002	003	004	005	006	007	J9
-----	-----	-----	-----	-----	-----	-----	-----	----

METER

FREQUENCY DISPLAY

TO LOGIC UNIT P38 (J9)

J12	Y3	Y0	Y4	Y5	Y2	Y1
-----	----	----	----	----	----	----

TO MAIN UNIT P14 (J14)

NOTV	NOTS	H8	P8TV	J15
------	------	----	------	-----

TO FRONT (SW-A) UNIT P16 (J2)

J14

01M3	01M2	GND
------	------	-----

TO FRONT (SW-A) UNIT P16 (J4)

13-0	13-0	13-0	13-0	13-0	PREV	COMP	GND	GND	TKSW	J16
------	------	------	------	------	------	------	-----	-----	------	-----

TO MAIN UNIT P9 (J9)

TO PLL UNIT P43 (J12)

TO LOGIC UNIT P32 (J1)

TO PA UNIT P45 (P4)

TO MAIN UNIT P6 (J6)

TO LOGIC UNIT P32 (J1)

TO MAIN UNIT P9 (J9)

TO MAIN UNIT P11 (J11)

J17

+5	GND
----	-----

OPTION TO PLL UNIT TONE SQUELCH P42 (J7) UNIT P47 (J2)

J11

RE-4	RE2	GND	+5	RE1	RE3
------	-----	-----	----	-----	-----

J13

MIUD	AGCS	NBS	SOLS	FMB
------	------	-----	------	-----

TO FRONT (SW-A) UNIT P17 (J3)

TO MAIN UNIT P12 (J12)

TO FRONT (SW-A) UNIT P17 (J3)

TO FRONT (VR-B) UNIT P20 (J6)

J6

SOLS	SOLS	CSTP	CP50	FMB	RFM	ALOM	CM	SM	FMB	+8	T8	R8
------	------	------	------	-----	-----	------	----	----	-----	----	----	----

TO PLL UNIT P42 (J7)

TO MAIN UNIT P3 (J3)

TO MAIN UNIT P11 (J11)

TO MAIN UNIT P1 (J1)

TO MAIN UNIT P4 (J4)

TO MAIN UNIT P1 (J1)

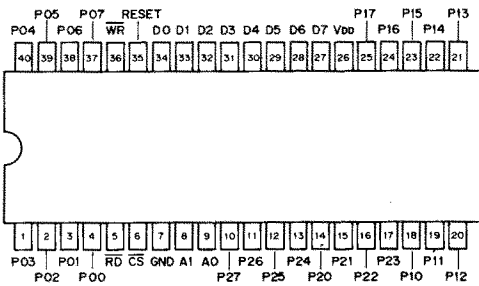
TO MAIN UNIT P13 (J13)

TO MAIN UNIT P1 (J1)

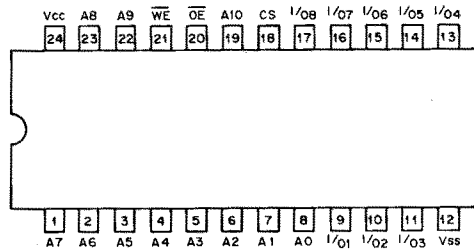
TO MAIN UNIT P12 (J12)

## 7-3 LOGIC AND SENSOR UNITS

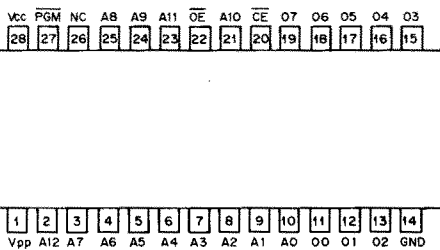
**μPD71055C IC1**  
(I/O EXPANDER)



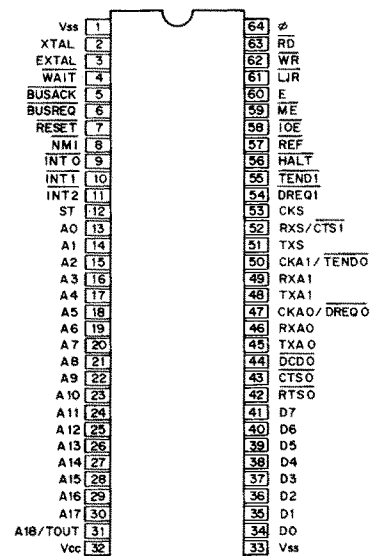
**HM6116LP3L IC2**  
(RAM)



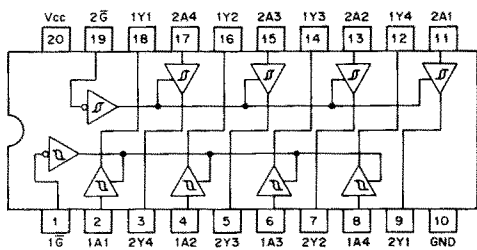
**SC-1079 IC3**  
(ROM)



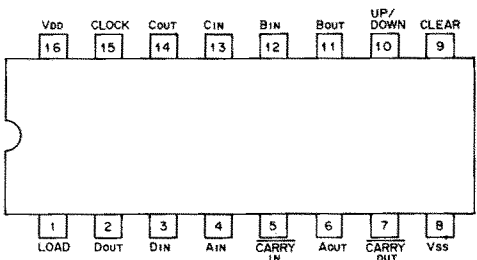
**HD64B180ROP IC4**  
(CPU)



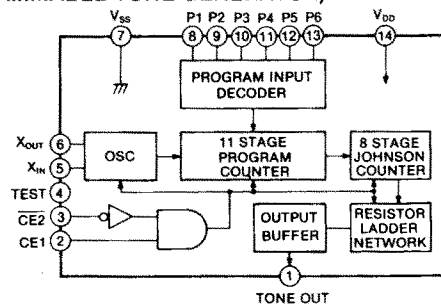
**TC74HC244 IC5, IC6**  
(OCTAL 3-STATE BUS DRIVER)



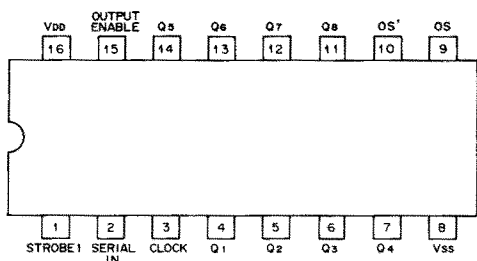
**TC4510 IC7**  
(BCD UP/DOWN COUNTER)



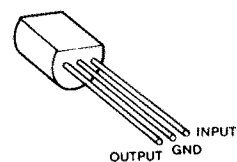
**S-7116A IC8**  
(PROGRAMMABLE TONE GENERATOR)



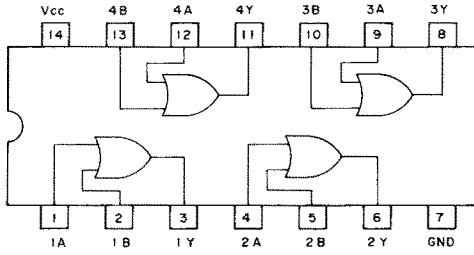
**μPD4094BC IC9**  
(8-STAGE SHIFT AND STORE BUS REGISTER)



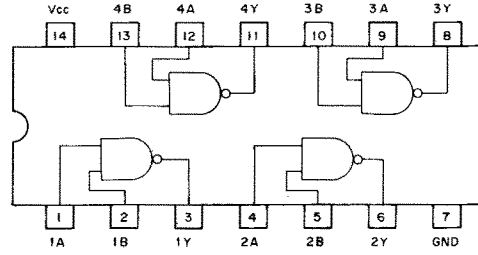
**TA78L005AP IC10**  
(3-TERMINAL 5V REGULATOR)



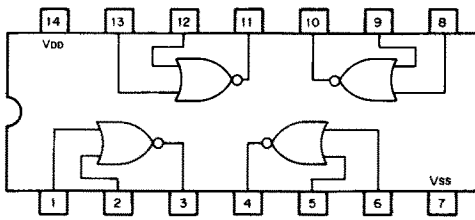
**TC74HC32 IC11, IC12**  
**(QUAD 2-INPUT POSITIVE OR GATE)**



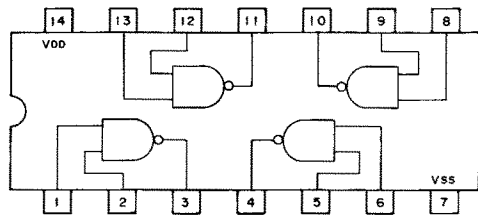
**TC74HC00 IC13**  
**(QUAD 2-INPUT NAND GATE)**



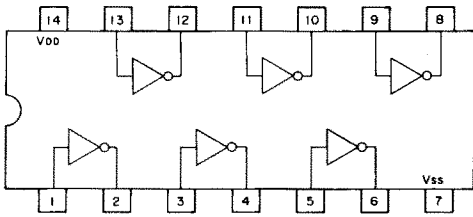
**μPD4001BC IC14, IC19**  
**(QUAD 2-INPUT POSITIVE NOR GATE)**



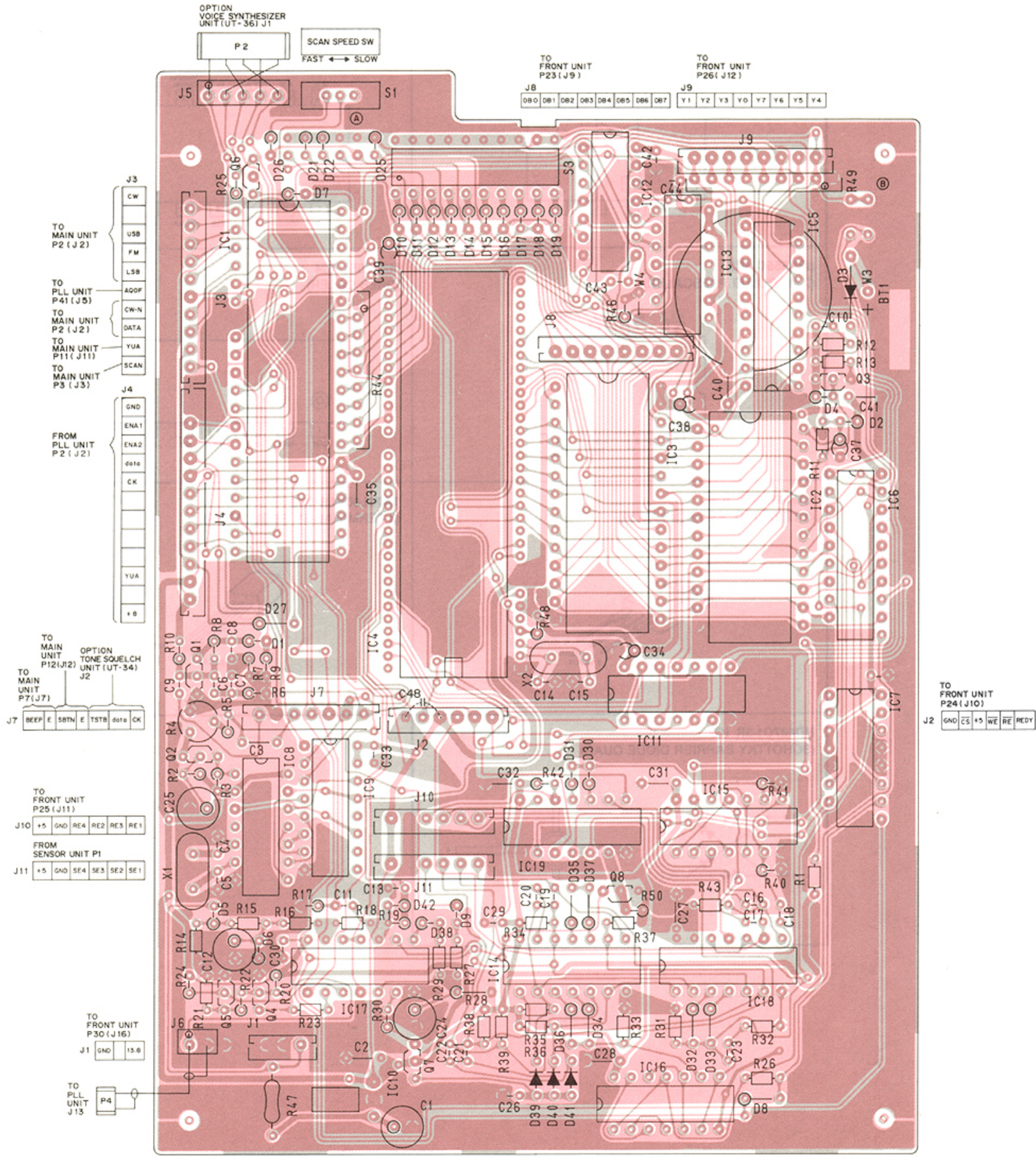
**μPD4011BC IC15, IC16, IC18**  
**(QUAD 2-INPUT POSITIVE NAND GATE)**



**μPD4069UBC IC17**  
**(HEX INVERTER)**



• LOGIC UNIT



OPTION VOICE SYNTHESIZER UNIT (UT-36) J1

SCAN SPEED SW  
FAST ← SLOW

TO FRONT UNIT P23 (J9)  
J8 DB0 DB1 DB2 DB3 DB4 DB5 DB6 DB7

TO FRONT UNIT P26 (J12)  
J9 Y1 Y2 Y3 Y0 Y7 Y6 Y5 Y4

J3 TO MAIN UNIT P2 (J2)  
CW  
USB  
FM  
LSB

TO PLL UNIT P41 (J5)  
AQOF

TO MAIN UNIT P2 (J2)  
CW-N  
DATA

TO MAIN UNIT P11 (J11)  
YUA

TO MAIN UNIT P3 (J3)  
SCAN

J4 FROM PLL UNIT P2 (J2)  
GND  
ENA1  
ENA2  
DATA  
CK  
YUA  
+B

TO MAIN UNIT P12 (J12) OPTION TONE SQUELCH UNIT (UT-34) J2

TO MAIN UNIT P7 (J7)

J7 BEEP E SBTN E TSTB DATA CK

TO FRONT UNIT P25 (J11)

J10 +5 GND RE4 RE2 RE3 RE1

FROM SENSOR UNIT P1

J11 +5 GND SE4 SE3 SE2 SE1

TO FRONT UNIT P30 (J16)

J1 GND 15.6

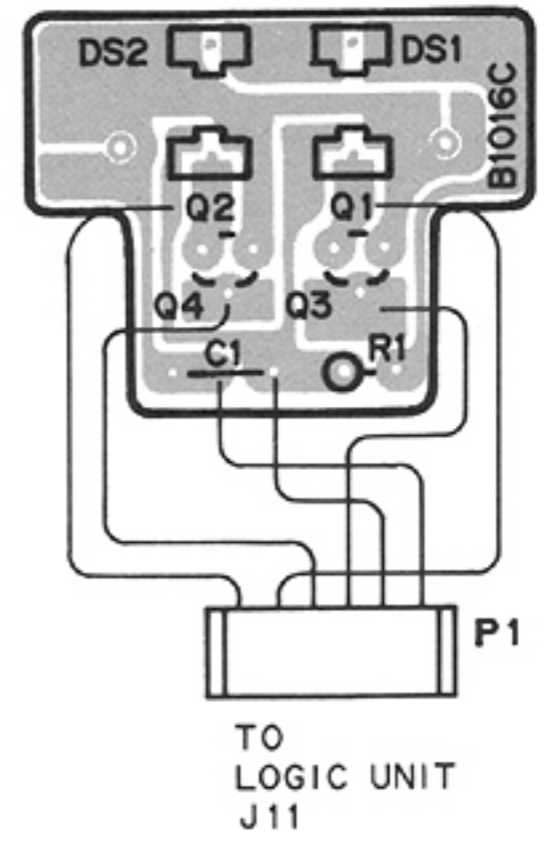
TO PLL UNIT J13

P4

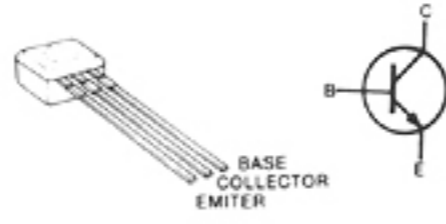
TO FRONT UNIT P24 (J10)

J2 GND CS +5 WE RE REDY

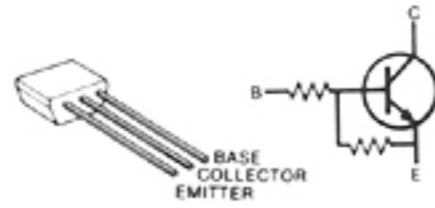
• SENSOR UNIT



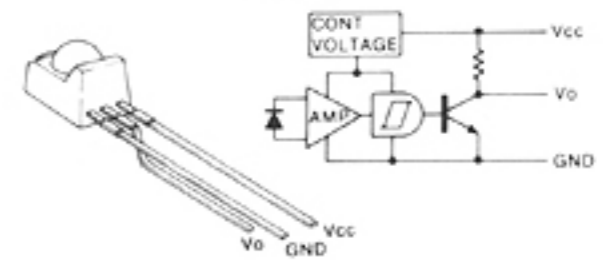
**2SC2785**  
Q1, Q2, Q3, Q4,  
Q5, Q6, Q7



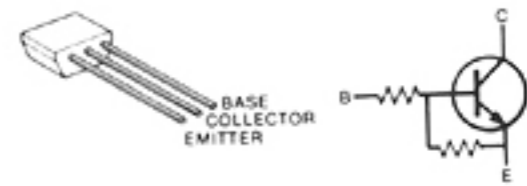
**RN1204**  
Q8



**IS-433**  
Q1, Q2



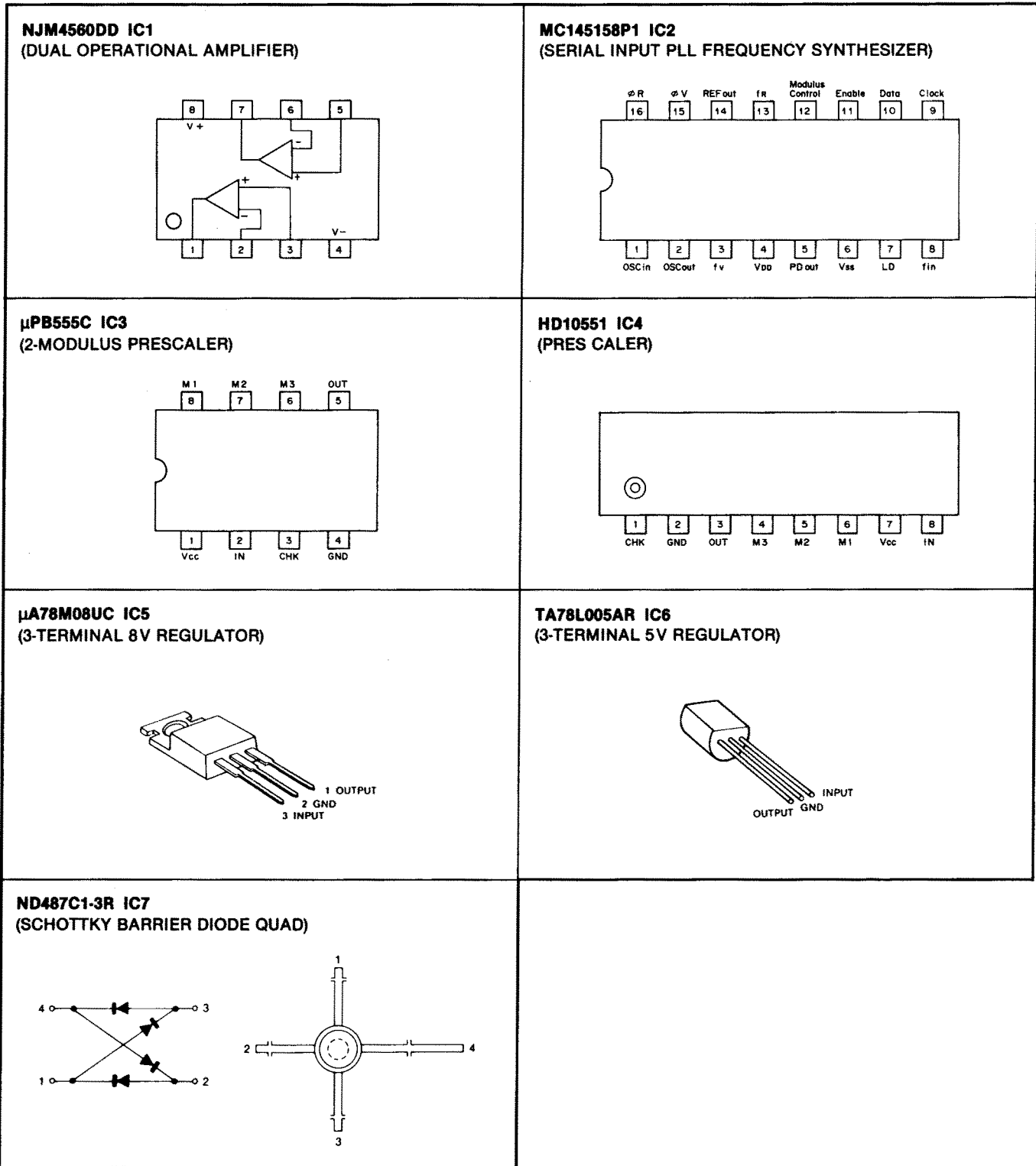
**RN1204**  
Q3, Q4



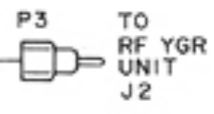
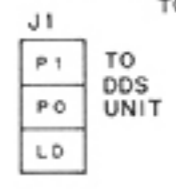
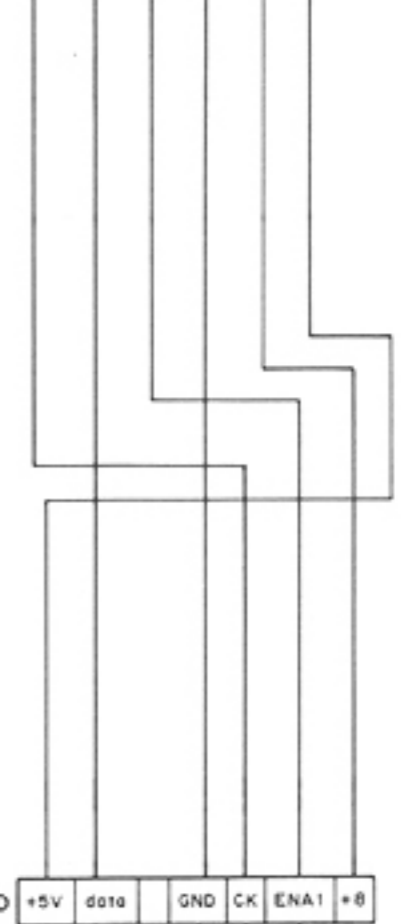
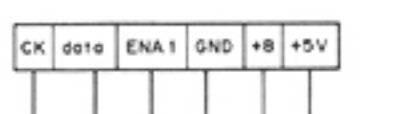
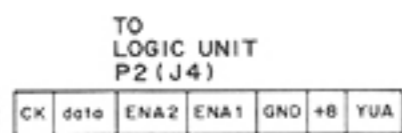
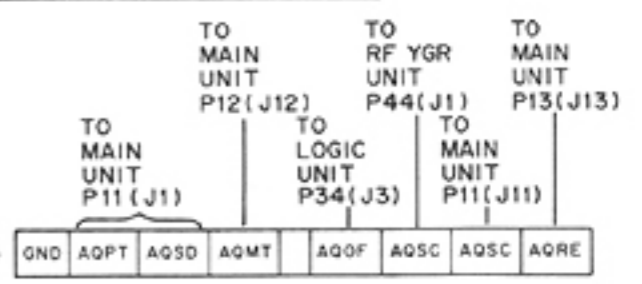
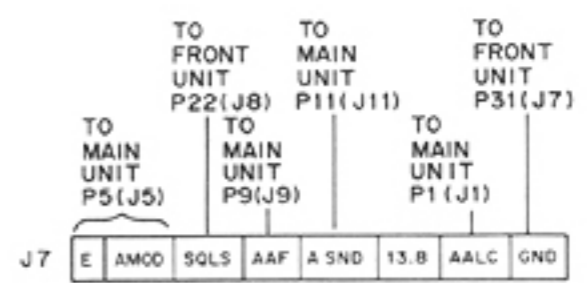
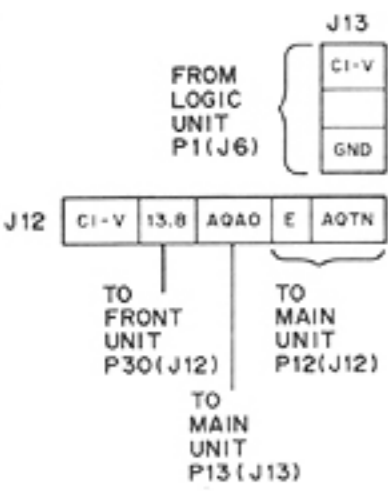
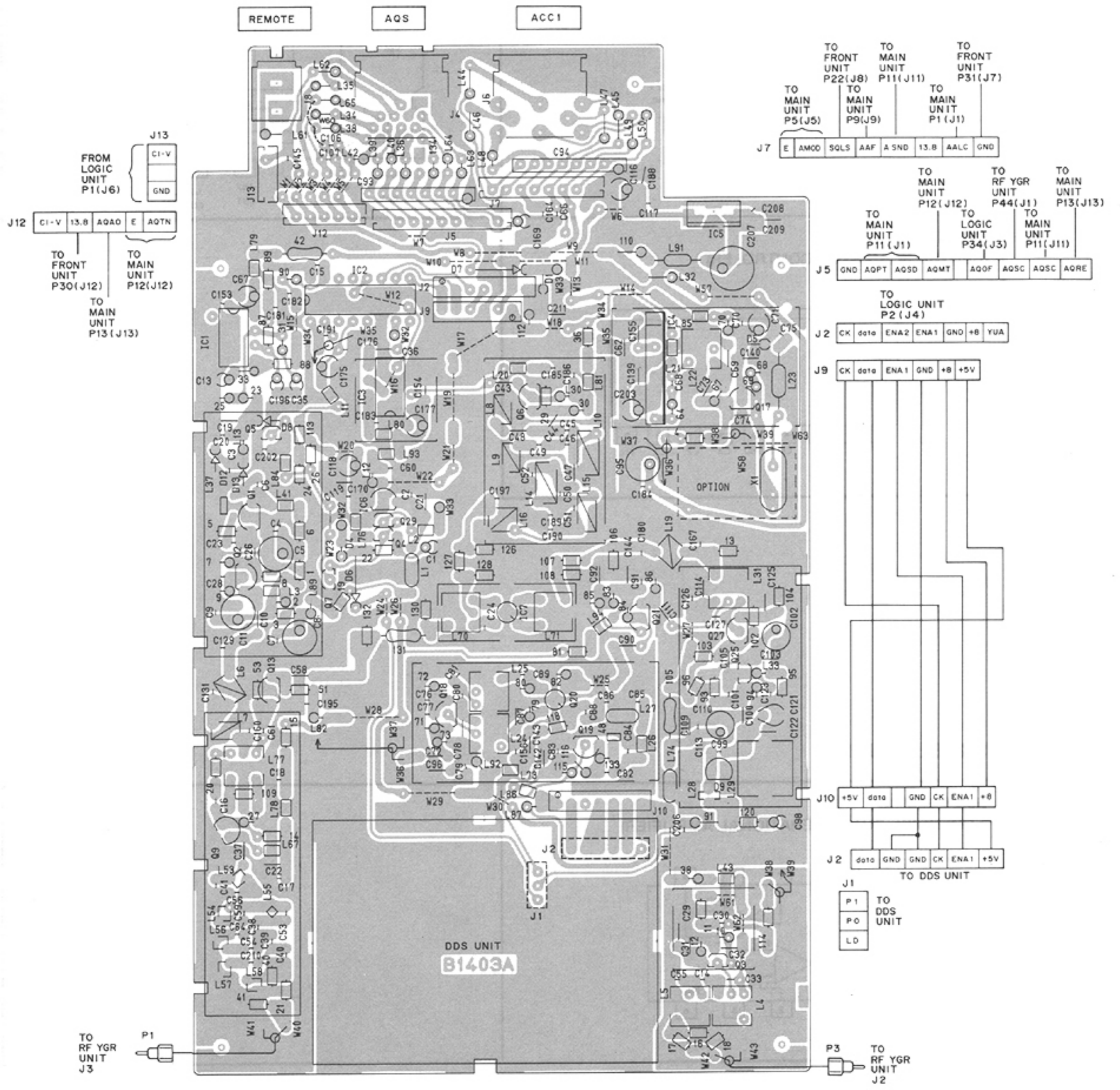


## 7-4 PLL AND DDS UNITS

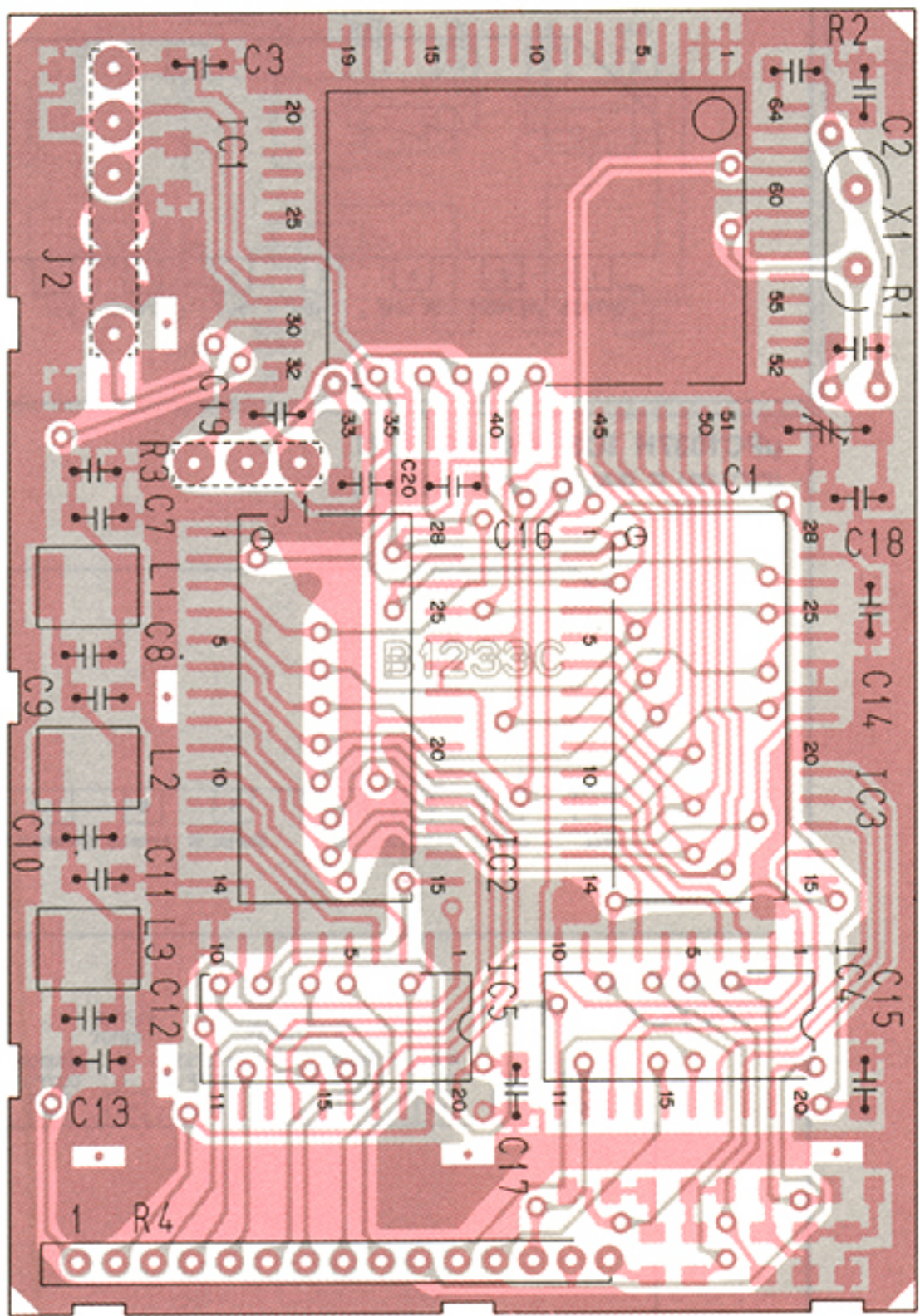
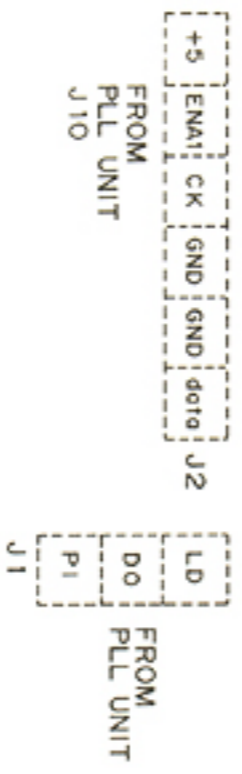
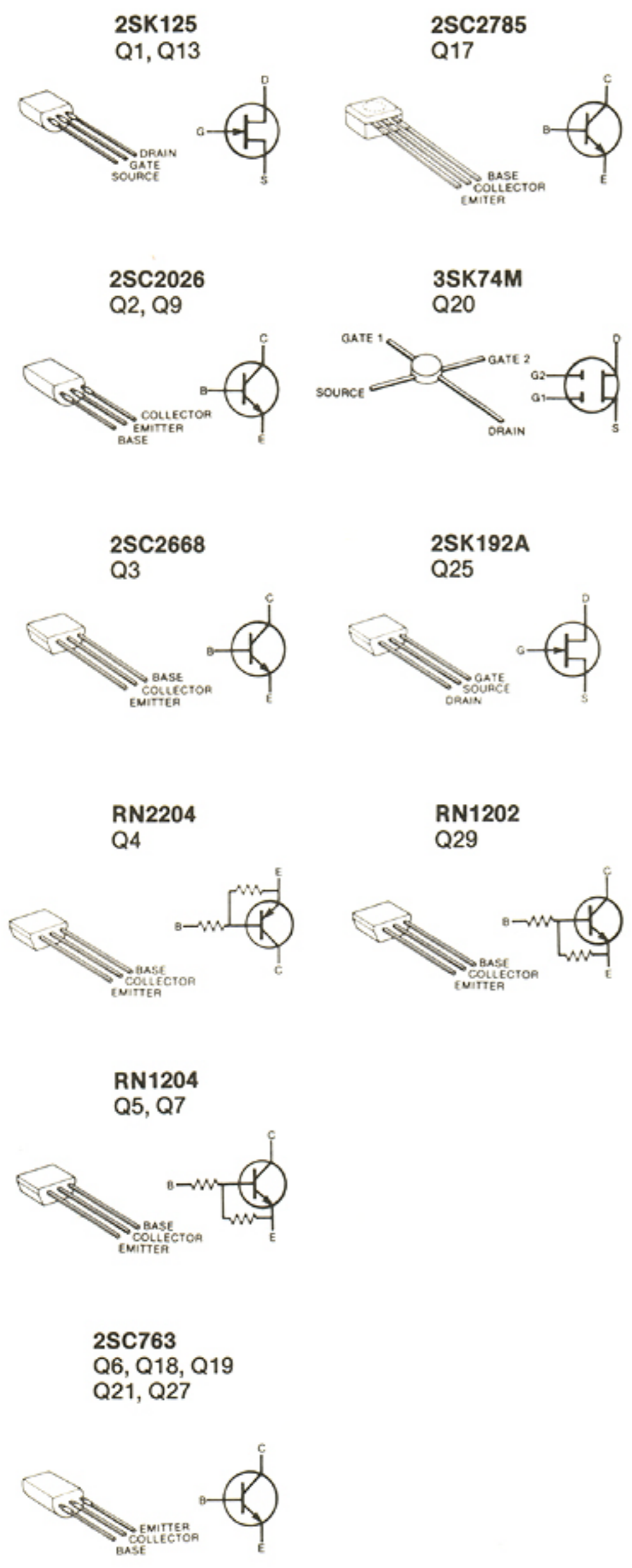
### • PLL UNIT



• PLL UNIT



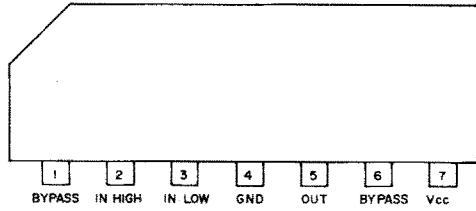
• DDS UNIT



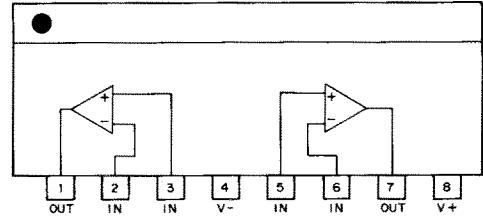
# 7-5 MAIN UNIT

## • MAIN UNIT

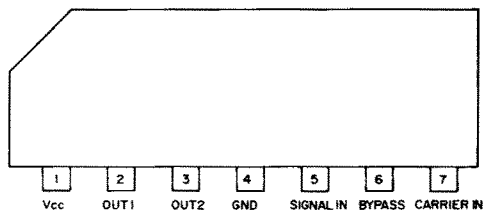
**μPC577H IC1, IC11**  
(FM IF AMPLIFIER)



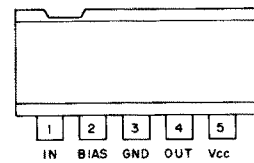
**M5218L IC2, IC10, IC12, IC13**  
(LOW NOISE DUAL OPERATIONAL AMPLIFIER)



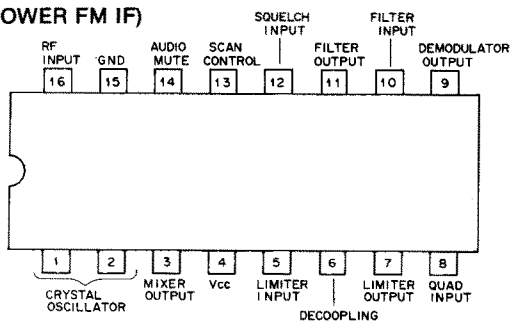
**μPC1037H IC3, IC4, IC7, IC21**  
(DOUBLE BALANCED MIXER)



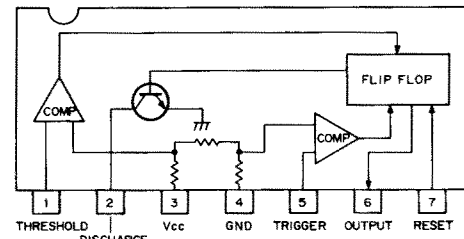
**BA401 IC5**  
(LIMITER AMPLIFIER)



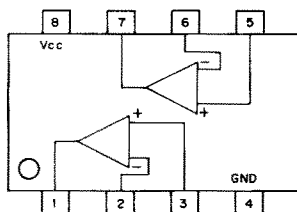
**MC3357P IC6**  
(LOW POWER FM IF)



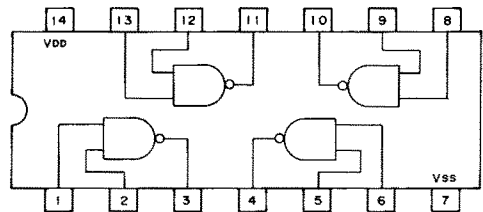
**BA222 IC8**  
(MONOLITHIC TIMER)



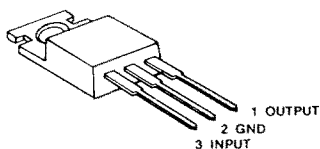
**NJM4558D IC9**  
(LOW NOISE DUAL OPERATIONAL AMPLIFIER)



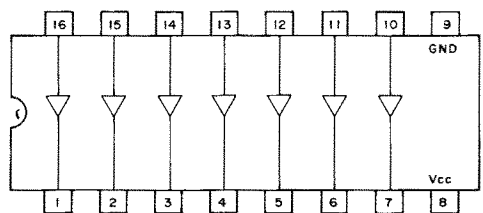
**μPD4011BC IC14, IC15**  
(QUAD 2-INPUT POSITIVE NAND GATE)



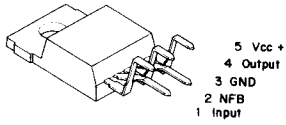
**μA7808 IC16**  
(3-TERMINAL 8V REGULATOR)



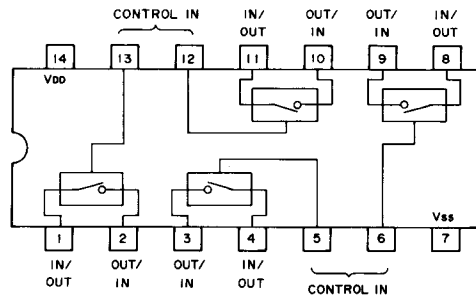
**BA618 IC17**  
(DRIVER)



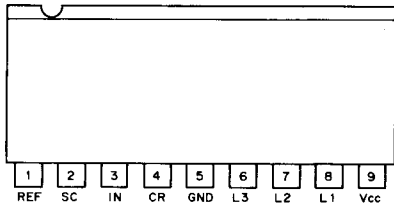
**μPC2002H IC18**  
(AUDIO POWER AMPLIFIER)



**μPD4066BC IC19**  
(QUAD BILATERAL SWITCHING)

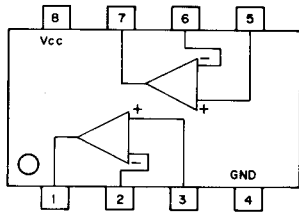


**BA695 IC20**  
(CENTER SCAN STOP CONTROLLER)

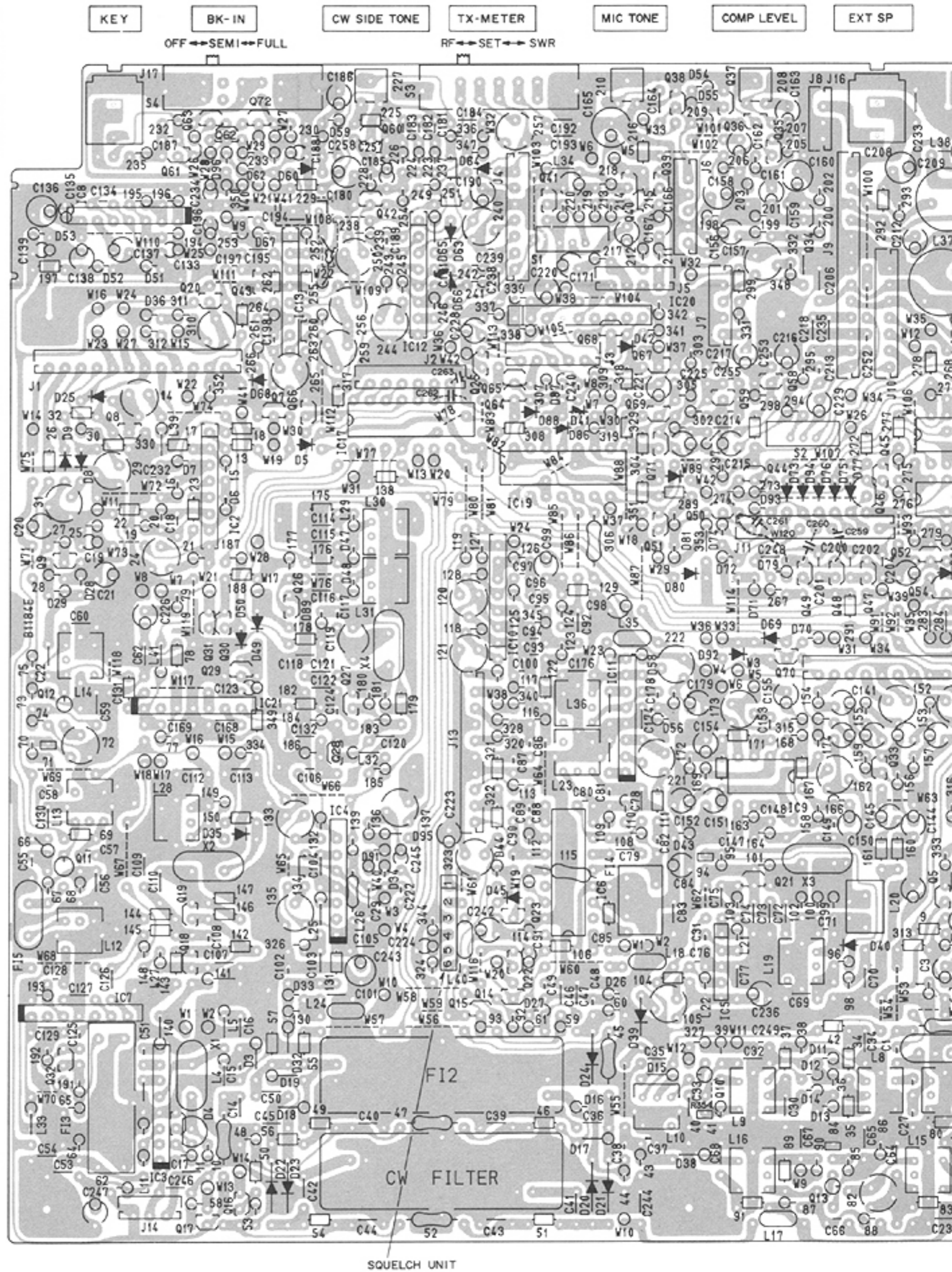
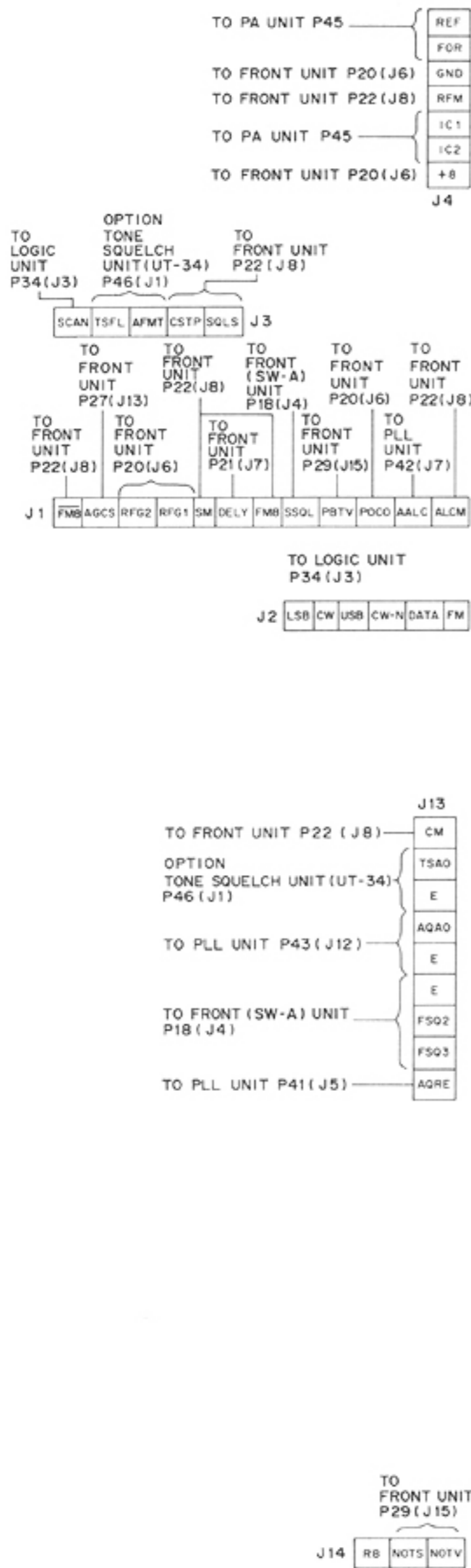


• SQUELCH UNIT

**NJM4558M IC1**  
(LOW NOISE DUAL OPERATIONAL AMPLIFIER)



• MAIN UNIT

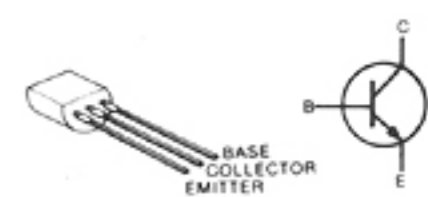
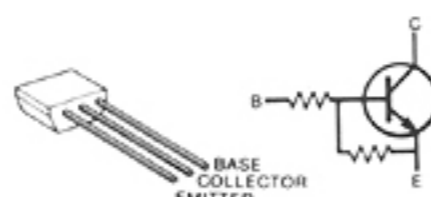
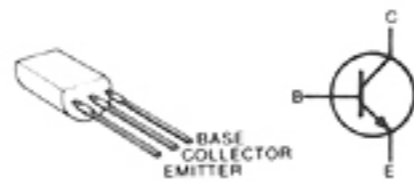
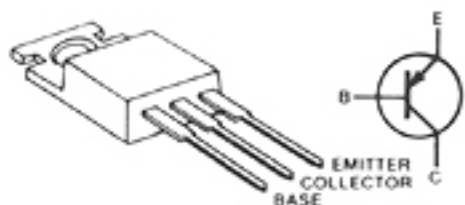


2SB596  
Q57

2SD468  
Q46, Q50, Q54,  
Q55

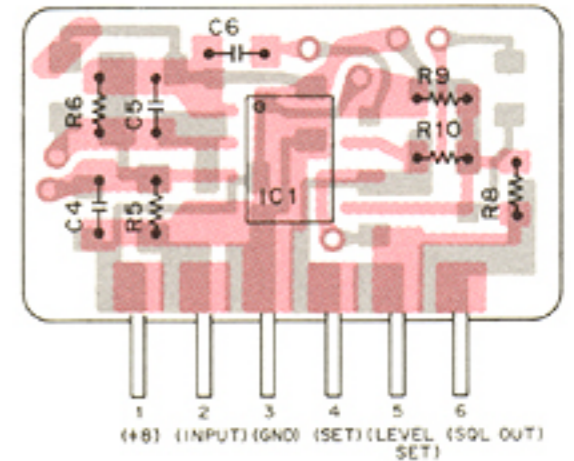
RN1202  
Q36, Q37, Q38,  
Q49, Q51, Q56,  
Q71

2SC1571  
Q34

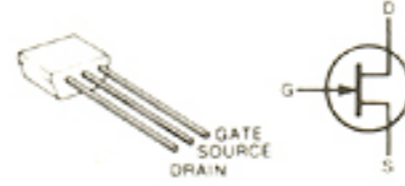


• SQUELCH UNIT

COMPONENTS SIDE



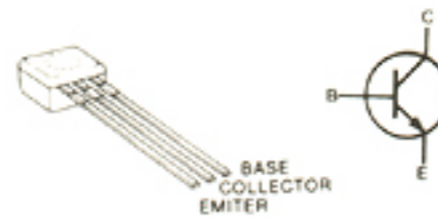
2SK192A  
Q1



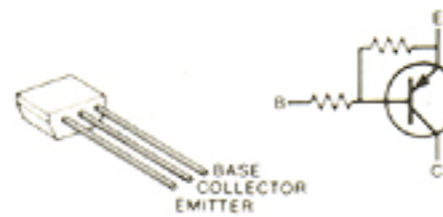
2SA1048  
Q2, Q43, Q61



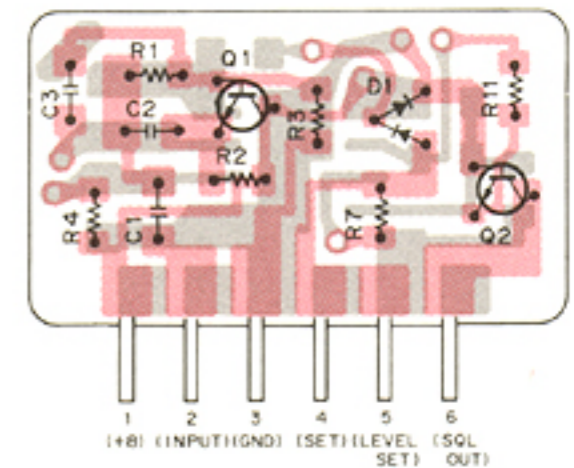
2SC2785  
Q3, Q4, Q6,  
Q9, Q14, Q17,  
Q18, Q19, Q21,  
Q23, Q27, Q28,  
Q32, Q33, Q35,  
Q39, Q40, Q41,  
Q42, Q44, Q45,  
Q52, Q53, Q58,  
Q59, Q60, Q62,  
Q69



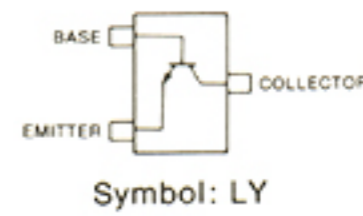
RN2202  
Q5, Q15, Q16,  
Q65, Q72



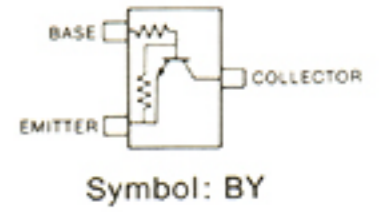
FOIL SIDE



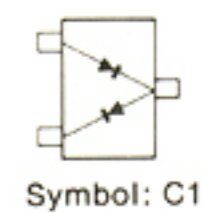
2SC2712  
Q1



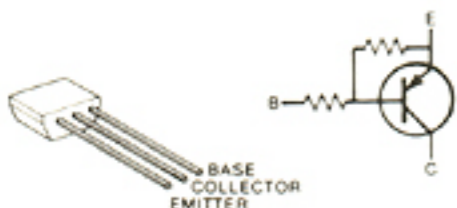
2SC3395  
Q2



HSM88AS  
D1



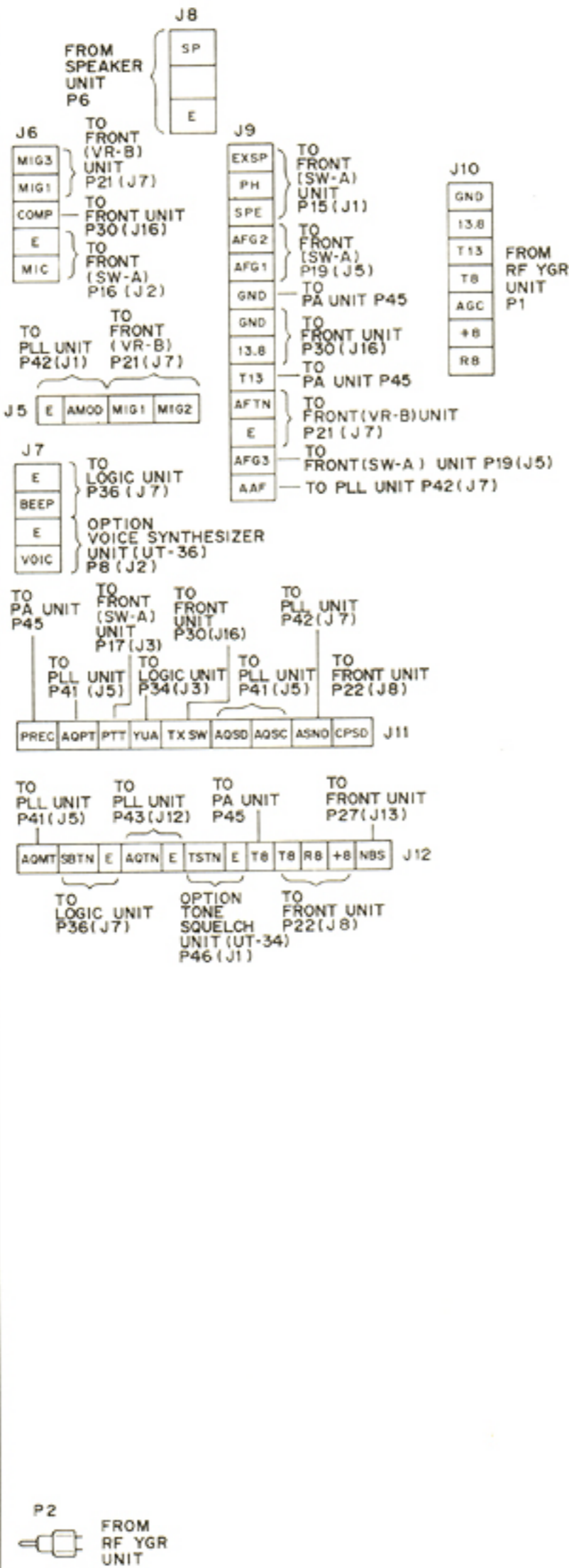
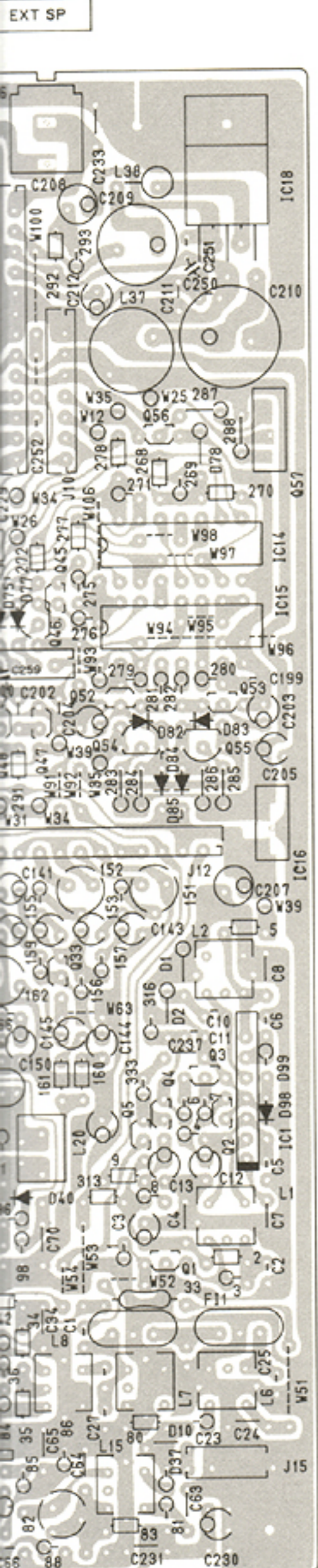
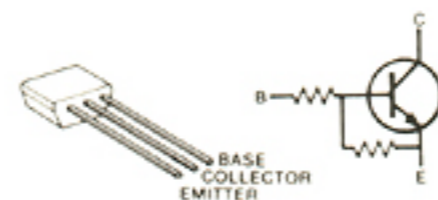
RN2204  
Q22, Q68, Q70



3SK74M  
Q10, Q11, Q12,  
Q13

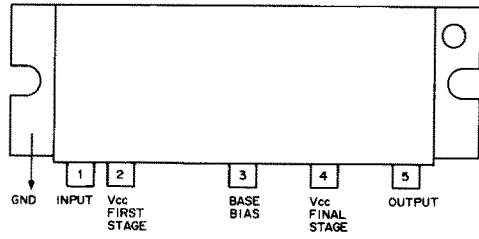


RN1204  
Q7, Q8, Q20,  
Q25, Q26, Q29,  
Q30, Q31, Q47,  
Q48, Q63, Q64,  
Q66, Q67

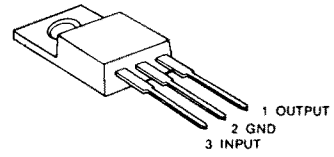


## 7-6 PA UNIT

**SC-1068 IC1**  
(POWER MODULE)



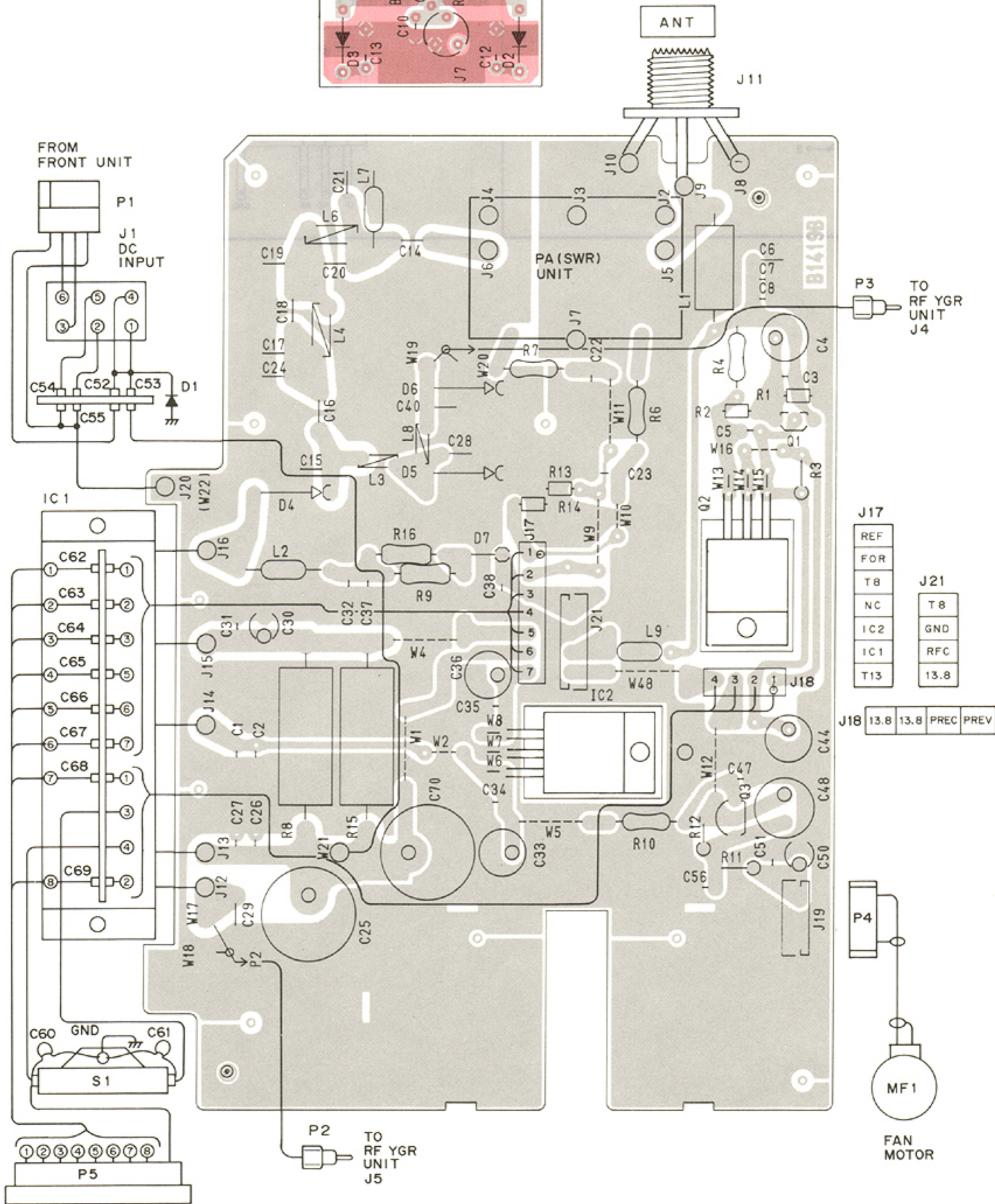
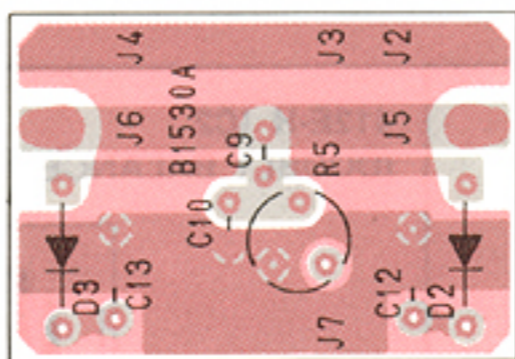
**NJM7809A IC2**  
(3-TERMINAL 9V REGULATOR)





• PA (SWR) UNIT

• PA UNIT

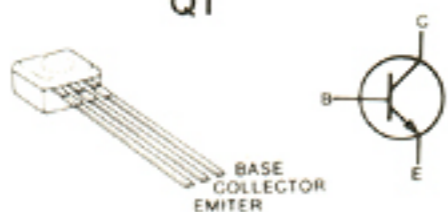


J17	REF	J21	T 8
	FOR		GND
	T 8		RFC
	NC		13.8
	IC 2		
	IC 1		
	T 13		

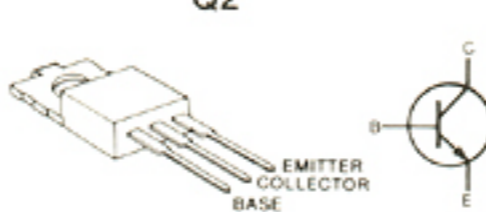
J18	13.8	13.8	PREC	PREV
-----	------	------	------	------

TO P45 MAIN AND FRONT UNITS

2SC2785  
Q1



2SD359  
Q2

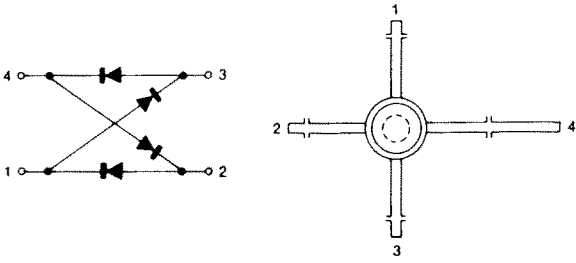


2SC2120  
Q3

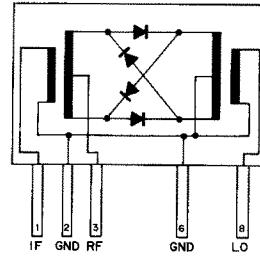


## 7-7 RF YGR UNIT

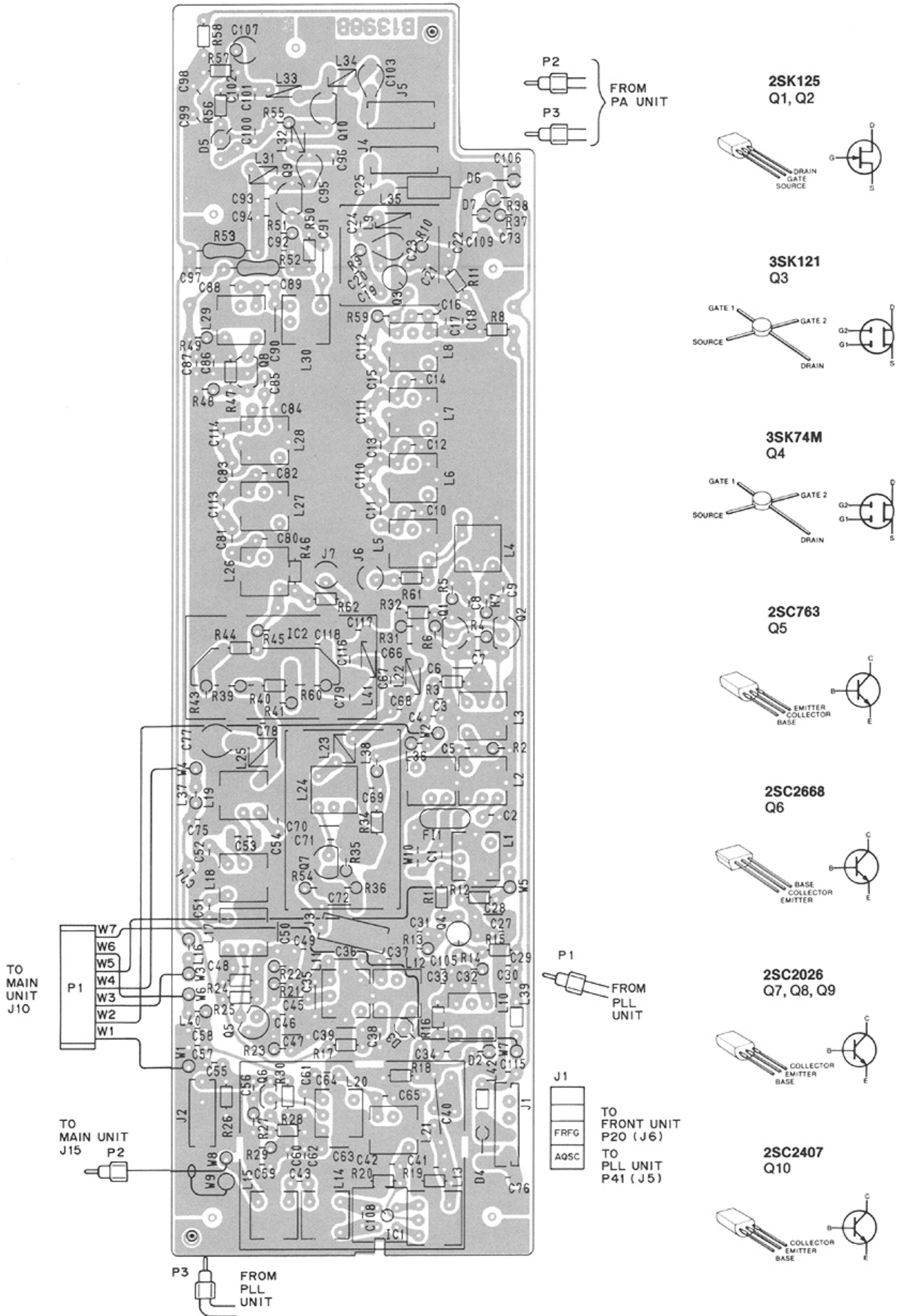
**ND487C1-3R IC1**  
(SCHOTTKY BARRIER DIODE QUAD)



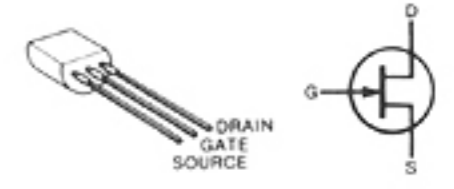
**412E-H IC2**  
(DOUBLY BALANCED MIXERS)



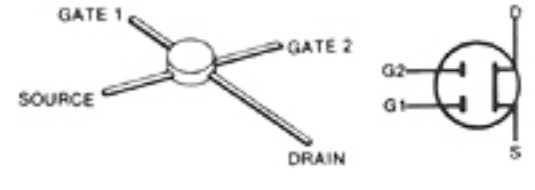
• RF YGR UNIT



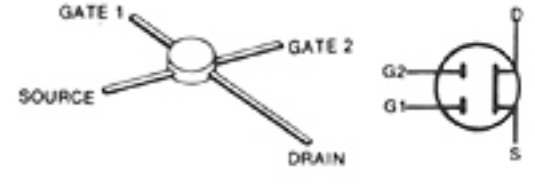
**2SK125**  
Q1, Q2



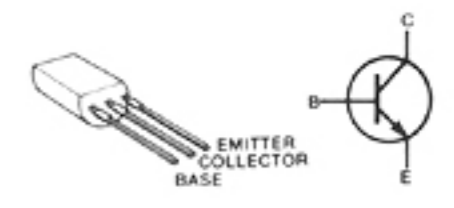
**3SK121**  
Q3



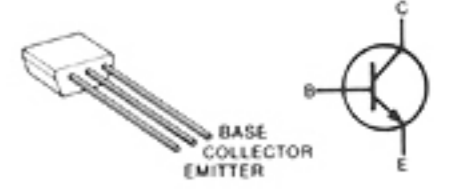
**3SK74M**  
Q4



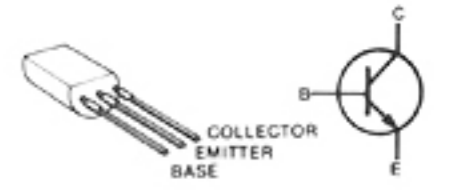
**2SC763**  
Q5



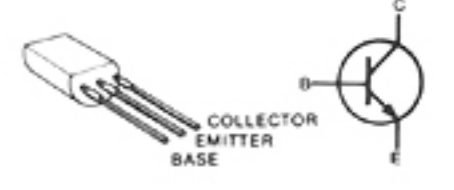
**2SC2668**  
Q6



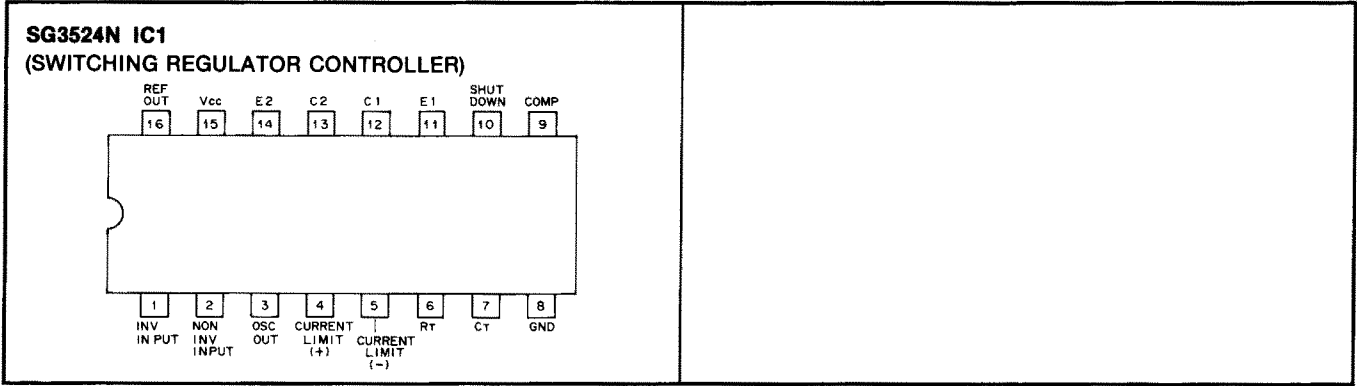
**2SC2026**  
Q7, Q8, Q9



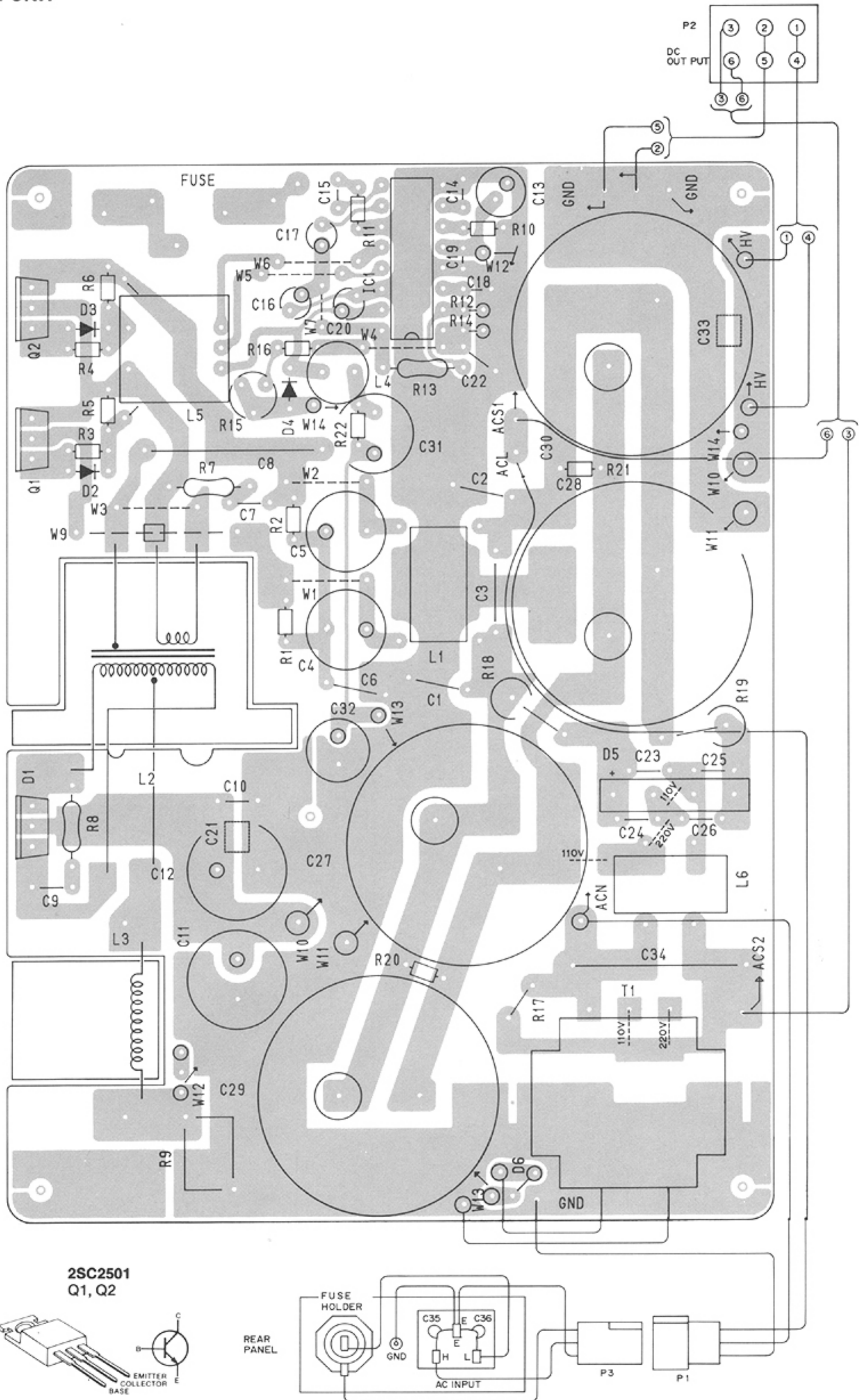
**2SC2407**  
Q10



## 7-8 REG UNIT

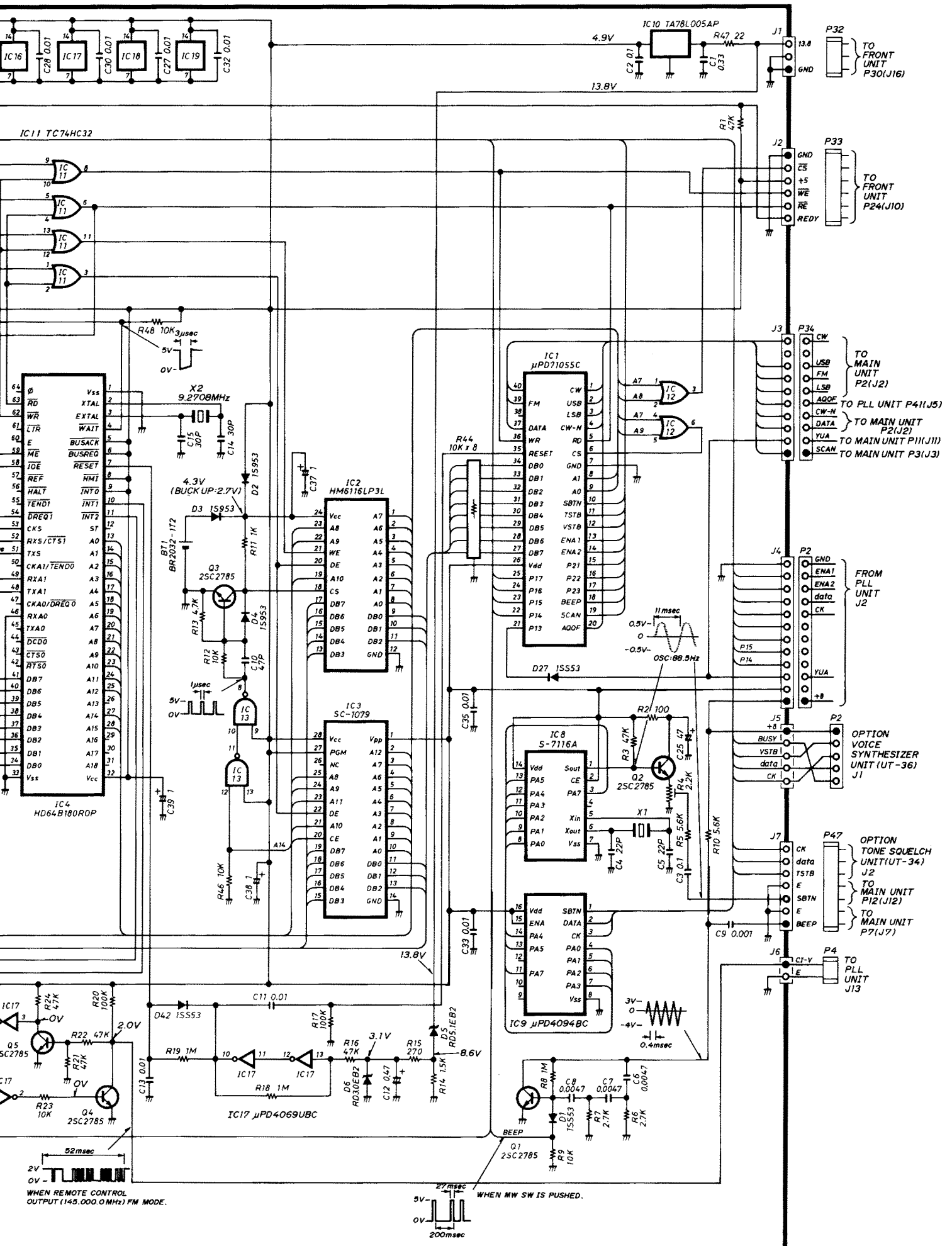


• REG UNIT



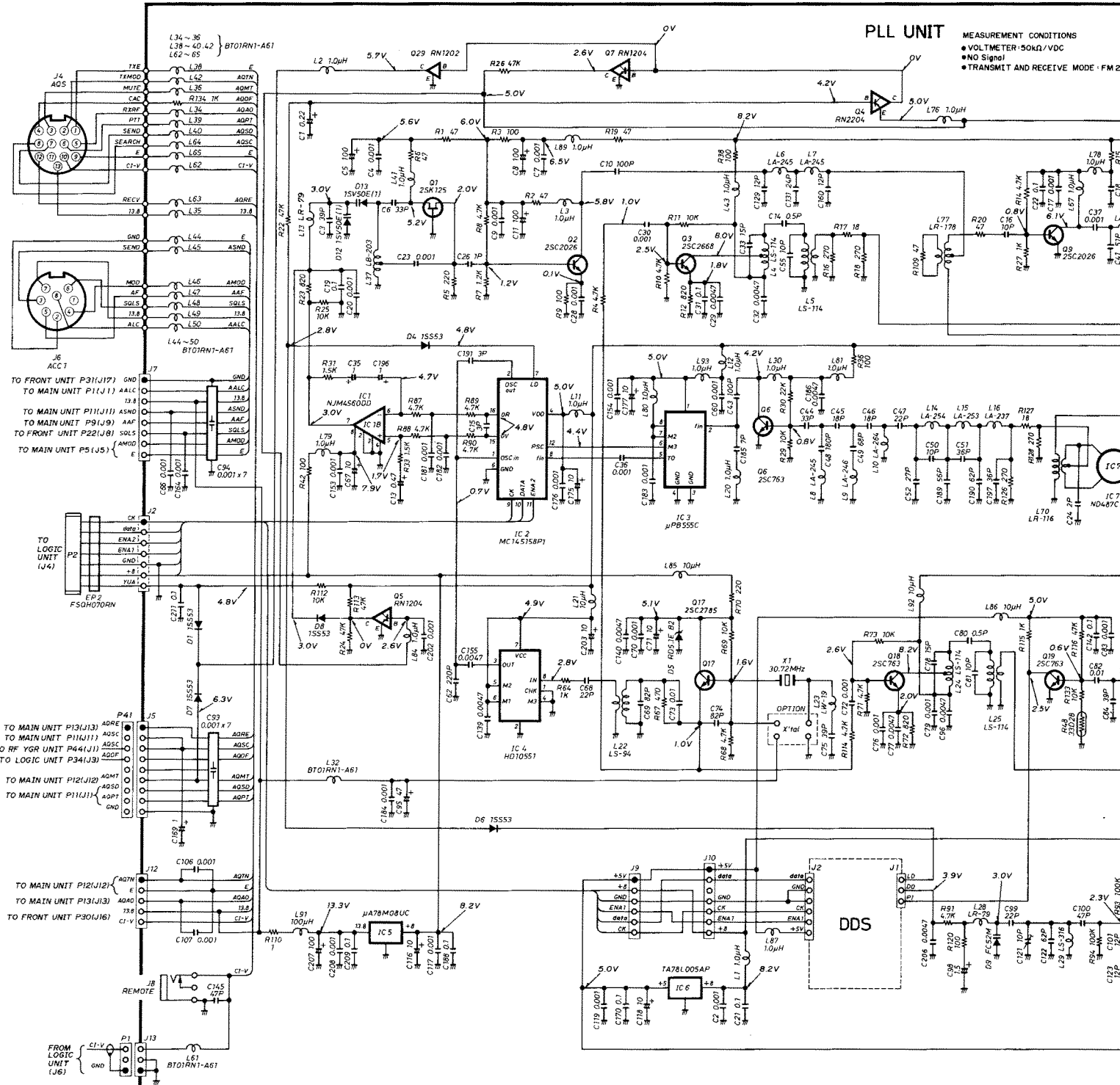








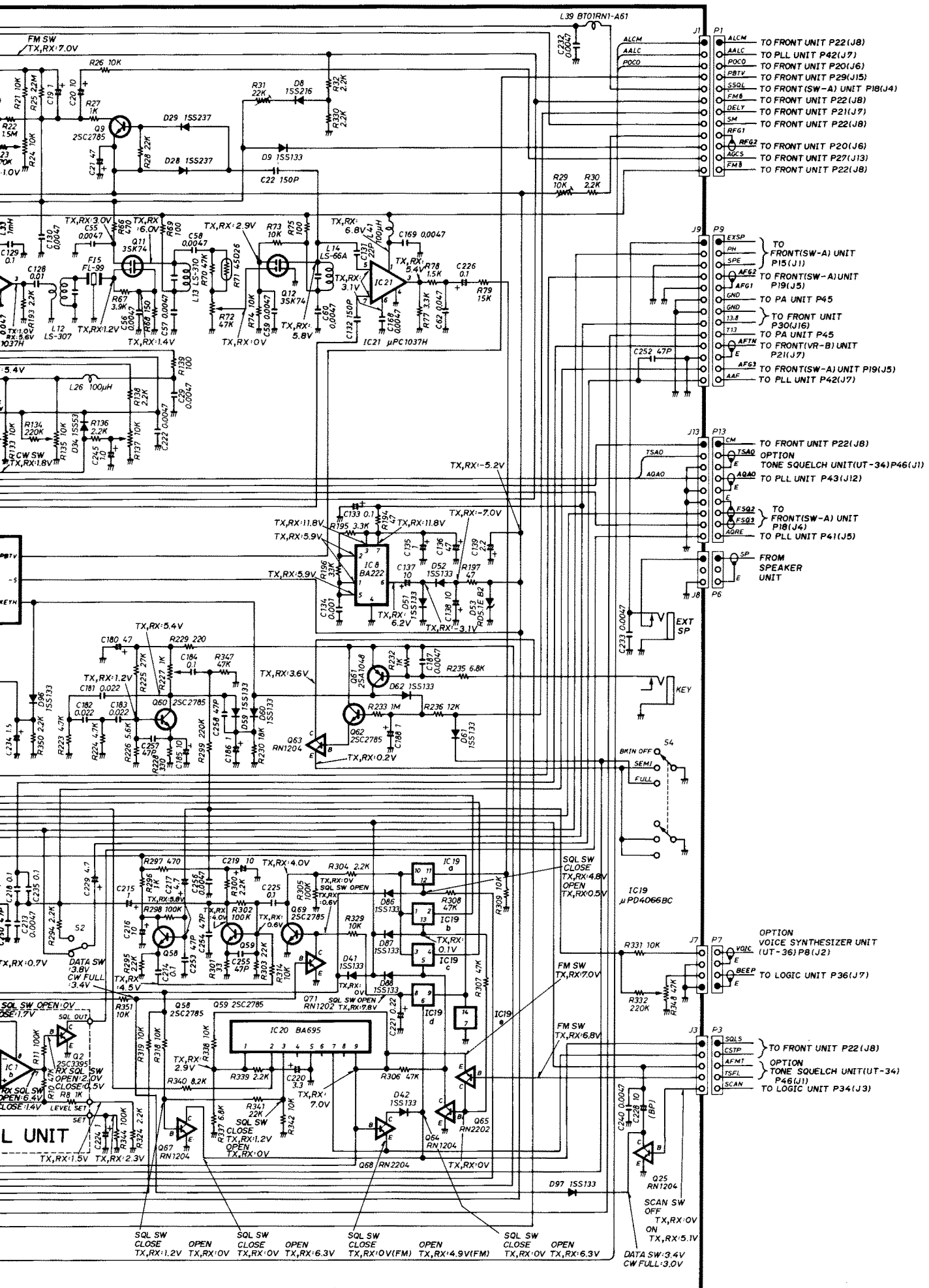
# 8-3 PLL UNIT



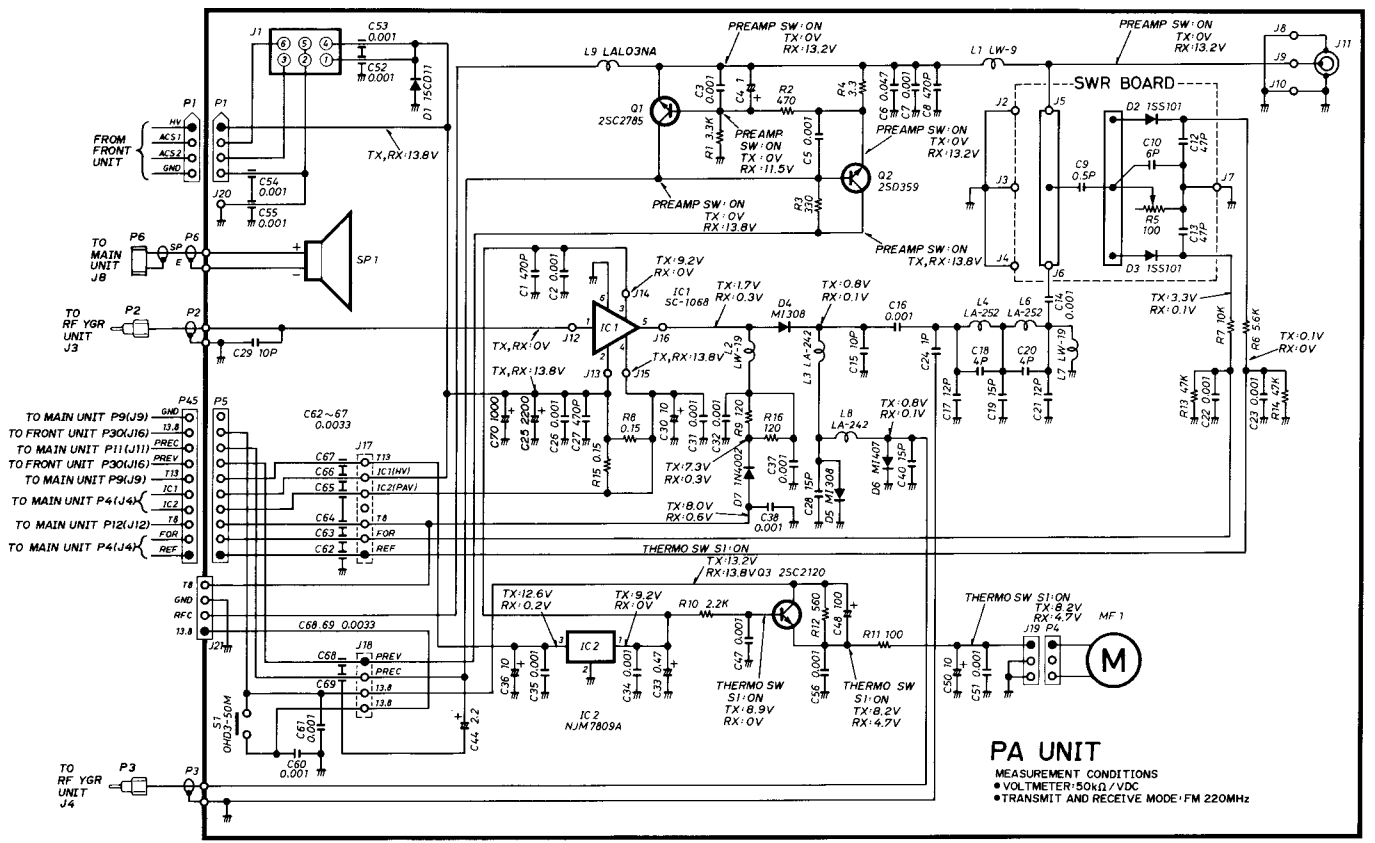
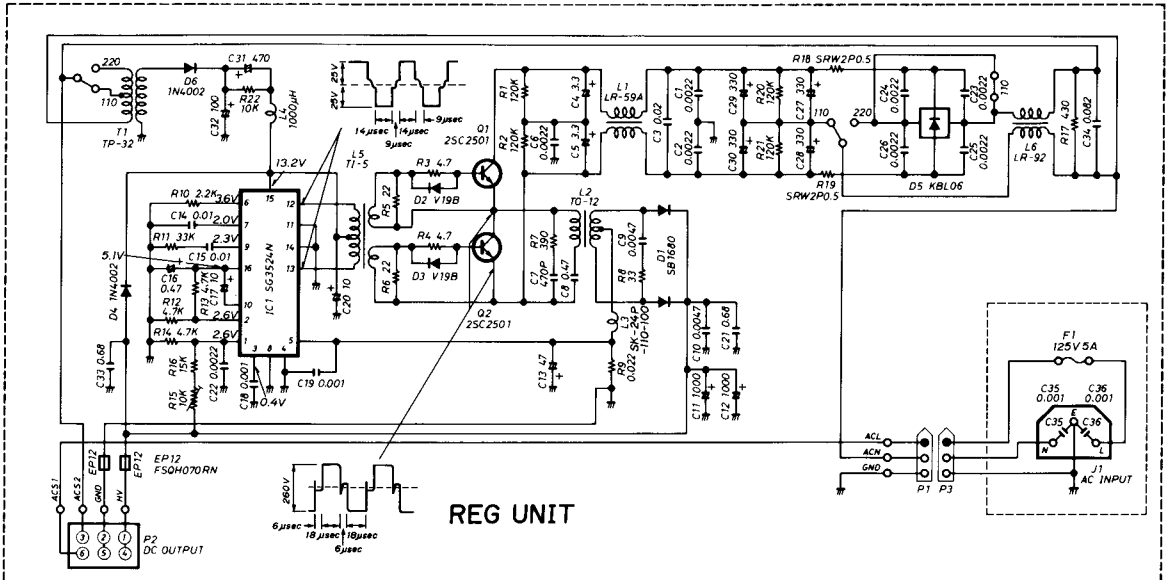




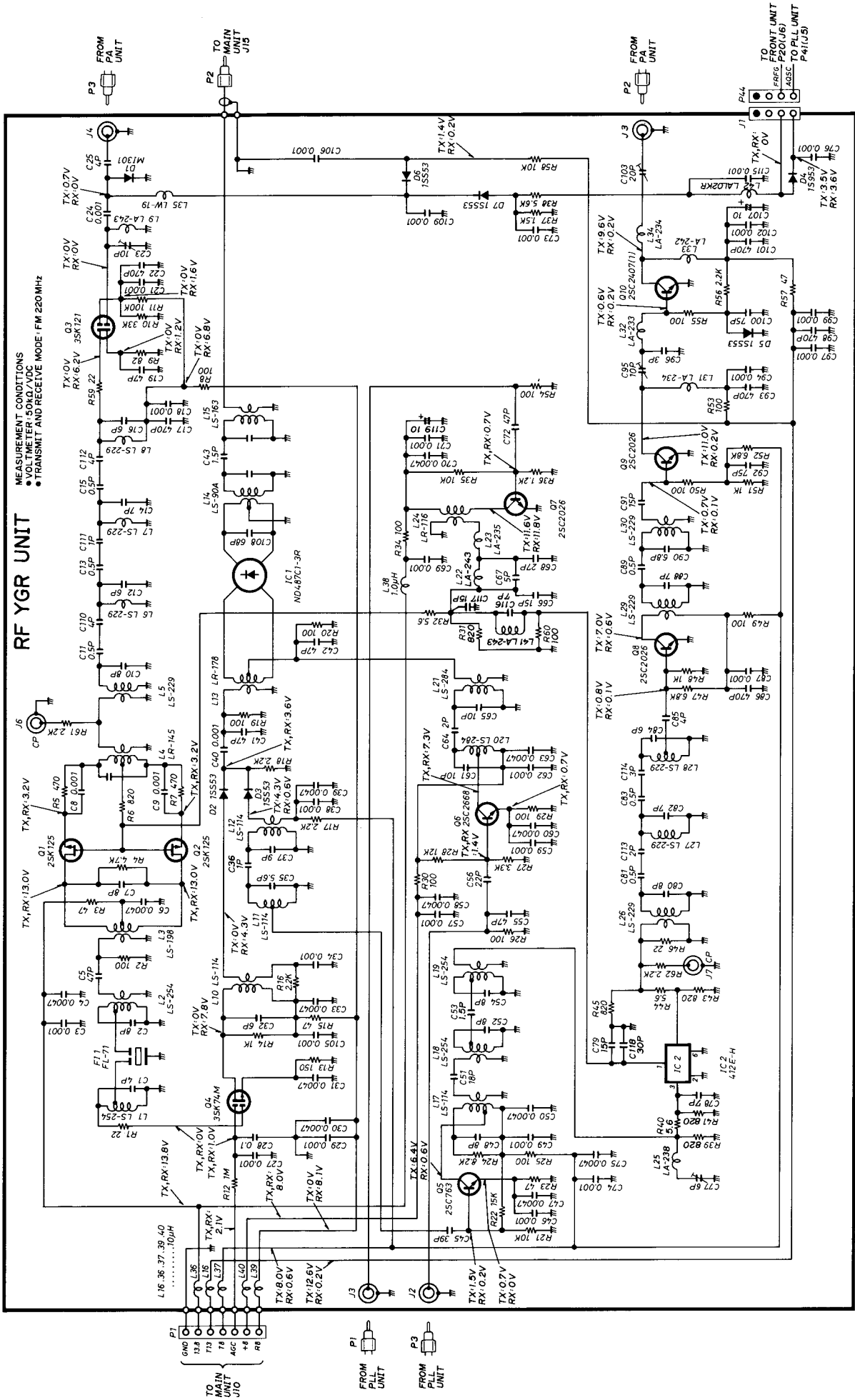




# 8-5 REG AND PA UNITS



# 8-6 RF YGR UNIT



# SECTION 9 PARTS LIST

## [EF PARTS]

REF. NO.	DESCRIPTION	PART NO.
P1	Connector	EHR-12
P2	Connector	EHR-06
P3	Connector	EHR-05
P4	Connector	EHR-07
P5	Connector	EHR-04
P6	Connector	EHR-05
P7	Connector	EHR-04
P8	Connector	EHR-03
P9	Connector	EHR-13
P11	Connector	EHR-09
P12	Connector	EHR-12
P13	Connector	EHR-09
P14	Connector	EHR-03
P15	Connector	EHR-03
P16	Connector	EHR-03
P17	Connector	EHR-03
P18	Connector	EHR-07
P19	Connector	EHR-04
P20	Connector	EHR-07
P21	Connector	EHR-07
P22	Connector	EHR-13
P23	Connector	EHR-08
P24	Connector	EHR-06
P25	Connector	EHR-06
P26	Connector	EHR-06
P27	Connector	EHR-05
P28	Connector	EHR-03
P29	Connector	EHR-04
P30	Connector	EHR-10
P31	Connector	EHR-03
P32	Connector	EHR-03
P33	Connector	EHR-06
P34	Connector	EHR-10
P36	Connector	EHR-07
P37	Connector	EHR-08
P38	Connector	EHR-08
P39	Connector	EHR-06
P41	Connector	EHR-09
P42	Connector	EHR-08
P43	Connector	EHR-05
P44	Connector	EHR-04
P45	Connector	SMP-10V-B
P46	Connector	EHR-06
P47	Connector	EHR-05
EP1	Ferrite Bead	FSQH070RN

## [FRONT UNIT]

REF. NO.	DESCRIPTION	PART NO.
IC1	IC	μPD4066BC
IC2	IC	μPD4011BC
IC3	IC	HD61602
Q1	Transistor	2SB562
Q2	Transistor	2SC2785 EF
Q3	Transistor	2SC2785 EF
Q4	Transistor	2SC2785 EF
Q5	Transistor	2SA1048 Y
Q6	Transistor	2SC2785 EF
Q7	Transistor	2SA1048 Y

## [FRONT UNIT]

REF. NO.	DESCRIPTION	PART NO.
Q8	Transistor	2SC2785 EF
Q10	Transistor	RN1204
Q11	Transistor	2SC2785 EF
D1	Diode	1SS53
D2	Diode	1SS53
D3	Zener	RD8.2E B2
D4	Diode	1SS53
D5	Diode	1SS53
D6	Diode	1SS53
D7	Diode	1SS53
D8	Diode	1SS53
D9	Diode	1SS53
D10	Diode	1SS53
D11	Diode	1SS53
D12	Diode	1SS53
D13	Diode	1SS53
D14	Diode	1SS53
D15	Diode	1SS53
D16	Diode	1SS53
D17	Diode	1SS53
D18	Diode	1SS53
D19	Diode	1SS53
D20	Diode	1SS53
D21	Diode	1SS53
D23	Diode	1SS53
D24	Diode	1SS53
D26	Diode	1SS53
D28	Diode	1SS53
D29	Diode	1SS53
D30	Diode	1SS53
D31	Diode	1SS53
D32	Diode	1SS53
D33	Diode	1SS53
D34	Diode	1SS133
D35	Diode	1SS133
D36	Diode	1SS53
D37	Diode	1SS53
D39	Diode	1SS53
D40	Diode	1S953
D41	Diode	1SS53
D42	Diode	1SS53
D43	Diode	1SS53
D44	Diode	1SS53
D46	Diode	1SS53
D47	Diode	1SS216
L1	Coil	BT01RN1-A61
L2	Coil	BT01RN1-A61
R1	Resistor	47kΩ R20
R2	Resistor	47kΩ R20
R3	Resistor	100Ω R50X
R4	Resistor	100Ω R50X
R5	Resistor	5.6kΩ ELR20
R6	Resistor	1kΩ R20
R7	Resistor	1kΩ ELR20
R9	Variable Resistor	10kΩB RK097111000AA
R10	Resistor	1kΩ R20
R11	Variable Resistor	10kΩB RK0971110D04A
R12	Resistor	1kΩ R20
R13	Variable Resistor	10kΩB/1kΩB RK097121T004A
R14	Resistor	4.7kΩ R20
R15	Resistor	3.3kΩ R20
R16	Variable Resistor	10kΩB RK097111T005A
R17	Variable Resistor	10kΩB × 2/10kΩA RK1242320009A



[FRONT UNIT]

REF. NO.	DESCRIPTION	PART NO.	
R18	Trimmer	4.7kΩ	RH0651CS3J2KA
R19	Resistor	470Ω	R20
R20	Variable Resistor	10kΩA	RK097111T004A
R21	Variable Resistor	1MΩB	RK097111T003A
R22	Resistor	47kΩ	R20
R23	Variable Resistor	10kΩB	RK097111T005A
R24	Resistor	100Ω	ELR20
R25	Resistor	100Ω	ELR20
R26	Resistor	330kΩ	R20
R27	Resistor	10kΩ	R20
R28	Resistor	10kΩ	R20
R29	Resistor	47kΩ	R20
R30	Resistor	2.2kΩ	R20
R31	Resistor	4.7kΩ	R20
R32	Resistor	47kΩ	R20
R33	Resistor	47kΩ	R20
R34	Resistor	47kΩ	R20
R35	Resistor	100kΩ	ELR20
R36	Resistor	120kΩ	ELR20
R37	Resistor	560kΩ	ELR20
R38	Resistor	1MΩ	ELR20
R39	Resistor	100kΩ	ELR20
R40	Resistor	120kΩ	ELR20
R41	Resistor	560kΩ	ELR20
R42	Resistor	1MΩ	ELR20
R43	Resistor	1kΩ	R20
R44	Resistor	1kΩ	R20
R45	Resistor	47kΩ	ELR20
R46	Resistor	47kΩ	ELR20
R47	Resistor	47kΩ	ELR20
R49	Resistor	47kΩ	ELR20
R50	Resistor	4.7kΩ	R20
C1	Ceramic	0.001μF	50V
C2	Ceramic	0.001μF	50V
C3	Ceramic	0.001μF	50V
C4	Ceramic	0.001μF	50V
C5	Ceramic	0.001μF	50V
C6	Ceramic	0.001μF	50V
C7	Ceramic	0.001μF	50V
C8	Electrolytic	2.2μF	50V MS5
C9	Ceramic	0.001μF	50V
C10	Ceramic	0.001μF	50V
C11	Barrier Layer	0.01μF	25V
C12	Ceramic	0.0047μF	50V
C13	Tantalum	1μF	35V DN
C14	Tantalum	1μF	35V DN
J1	Connector	B03B-EH-S	
J2	Connector	B03B-EH-S	
J3	Connector	B03B-EH-S	
J4	Connector	B07B-EH-S	
J5	Connector	B04B-EH-S	
J6	Connector	S07B-EH-S	
J7	Connector	S07B-EH-S	
J8	Connector	B13B-EH-S	
J9	Connector	B08B-EH-S	
J10	Connector	B06B-EH-S	
J11	Connector	B06B-EH-S	
J12	Connector	B06B-EH-S	
J13	Connector	B05B-EH-S	
J14	Connector	B03B-EH-S	
J15	Connector	B04B-EH-S	
J16	Connector	B10B-EH-S	
J17	Connector	B03B-EH-S	
J18	Connector	HLJ4815-01-030	
J19	Connector	FM214-8SS (P)	
P1	Connector	1490P-1	

[FRONT UNIT]

REF. NO.	DESCRIPTION	PART NO.
DS1	LCD	LP246CH-A
DS2	LED	SLP-175B-50
DS3	LED	SLP-275B-50
DS4	Lamp	HRS-7219A-Y2 30
DS5	Lamp	HRS-7219A-Y2 30
DS6	Lamp	HRS-7219A-Y2 30
DS7	Lamp	HRS-7219A-Y2 30
ME1	Meter	M504
S1	Switch	SPPH23079A (S.RF/C.ALC)
S2	Switch	SDDSA3159A (POWER)
S3	Switch	SPPH23079A (NOTCH)
S4	Switch	SPPH23079A (XMIT)
S5	Switch	SPPH23079A (NB)
S6	Switch	SPPH23079A (PRE AMP)
S7	Switch	SPPH23079A (COMP)
S8	Switch	SPPH23079A (AGC)
S10	Switch	SPPH23078A (CALL)
S11	Switch	SPPH15060A (VFO)
S12	Switch	SPPH23078A (MEMO)
S13	Switch	SPPH23078A (A=B)
S14	Switch	SPPH23078A (MW)
S15	Switch	SPPH23078A (M ▶ VFO)
S16	Switch	SPPH23078A (MEMO CL)
S17	Switch	SPPH23078A (SPLIT)
S18	Switch	SPPH23078A (RIT ON/OFF)
S19	Switch	SPPH23078A (RIT-CL)
S20	Switch	SPPH23078A (SCAN)
S21	Switch	SPPH23078A (SKIP)
S22	Switch	SPPH15060A (CHECK)
S23	Switch	SPPH23078A (SPEECH)
S24	Switch	SPPH15060A (T. SQL)
S25	Switch	SRBM1L011A (MEMO CH)
S26	Switch	SPPH23078A (LSB)
S27	Switch	SPPH23078A (FM)
S28	Switch	SPPH23078A (USB)
S29	Switch	SPPH23078A (CW/IN)
S30	Switch	SPPH23078A (DATA)
S31	Switch	SPPH15060A (SET)
S32	Switch	SPPH15060A (DUP)
S33	Switch	SPPH15060A (TONE)
S34	Switch	SPPH23079A (LOCK)
S35	Switch	SPPH23079A (MODE-S)
S36	Switch	SPPH15061A (MHz)
S37	Switch	SPPH15061A (TS)
S38	Rotary Switch	EC24B50B0002A (RIT)
EP1	P.C. Board	B-1188B
EP2	P.C. Board	B-1189A
EP3	P.C. Board	B-1190
EP4	P.C. Board	B-1031A
EP5	P.C. Board	B-1227B
EP6	P.C. Board	B-1245A
W6	Jumper	JPW-02A
W7	Jumper	JPW-02A
W8	Jumper	JPW-02A
W9	Jumper	JPW-02A
W10	Jumper	JPW-02A

[SENSOR UNIT]

REF. NO.	DESCRIPTION	PART NO.
Q1	Photo	IS-433
Q2	Photo	IS-433
Q3	Transistor	RN1204
Q4	Transistor	RN1204
R1	Resistor	220Ω ELR20
C1	Barrier Layer	0.01μF 25V UAT06W 103K
P1	Connector	EHR-06
DS1	LED	GL-430
DS2	LED	GL-430
EP1	P.C. Board	B-1016C

[LOGIC UNIT]

REF. NO.	DESCRIPTION	PART NO.
D15	Diode	1SS53
D16	Diode	1SS53
D17	Diode	1SS53
D18	Diode	1SS53
D19	Diode	1SS53
D21	Diode	16S53
D22	Diode	1SS53
D24	Diode	1SS53
D26	Diode	1SS53
D27	Diode	1SS53
D30	Diode	1SS53
D31	Diode	1SS53
D32	Diode	1SS53
D33	Diode	1SS53
D34	Diode	1SS53
D35	Diode	1SS53
D36	Diode	1SS53
D37	Diode	1SS53
D38	Diode	1SS53
D39	Diode	1SS133
D40	Diode	1SS133
D41	Diode	1SS133
D42	Diode	1SS53
X1	Crystal	RF-4A3 FAA
X2	Crystal	RF-4A3 FAF (9.2708MHz)
R1	Resistor	47kΩ R20
R2	Resistor	100Ω ELR20
R3	Resistor	47kΩ ELR20
R4	Trimmer	2.2kΩ RH0651CJ3J0CA
R5	Resistor	5.6kΩ ELR20
R6	Resistor	2.7kΩ ELR20
R7	Resistor	2.7kΩ ELR20
R8	Resistor	1MΩ ELR20
R9	Resistor	10kΩ ELR20
R10	Resistor	5.6kΩ ELR20
R11	Resistor	1kΩ R20
R12	Resistor	10kΩ R20
R13	Resistor	4.7kΩ R20
R14	Resistor	1.5kΩ R20
R15	Resistor	270Ω R20
R16	Resistor	47kΩ R20
R17	Resistor	100kΩ ELR20
R18	Resistor	1MΩ R20
R19	Resistor	1MΩ ELR20
R20	Resistor	100kΩ ELR20
R21	Resistor	47kΩ R20
R22	Resistor	47kΩ ELR20
R23	Resistor	10kΩ R20
R24	Resistor	47kΩ ELR20
R25	Resistor	47kΩ ELR20
R26	Resistor	47kΩ R20
R27	Resistor	10kΩ R20
R28	Resistor	3.3MΩ ELR25
R29	Resistor	10kΩ R20
R30	Resistor	10kΩ ELR20
R31	Resistor	47kΩ R20
R32	Resistor	47kΩ R20
R33	Resistor	47kΩ R20
R34	Resistor	47kΩ R20
R35	Resistor	47kΩ R20
R36	Resistor	47kΩ R20
R37	Resistor	47kΩ R20
R38	Resistor	47kΩ R20
R39	Resistor	47kΩ R20
R40	Resistor	47kΩ ELR20
R41	Resistor	47kΩ ELR20
R42	Resistor	47kΩ ELR20
R43	Resistor	47kΩ R20
R44	Array	10kΩ RMX-8
R46	Resistor	10kΩ ELR20
R47	Resistor	22Ω R50X

[LOGIC UNIT]

REF. NO.	DESCRIPTION	PART NO.
IC1	IC	μPD71055C
IC2	IC	HM6116LP3L
IC3	IC	SC-1079
IC4	IC	HD64B180ROP
IC5	IC	TC74HC244
IC6	IC	TC74HC244
IC7	IC	TC4510
IC8	IC	S-7116A
IC9	IC	μPD4094BC
IC10	IC	TA78L005AP
IC11	IC	TC74HC32
IC12	IC	TC74HC32
IC13	IC	TC74HC00
IC14	IC	μPD4001BC
IC15	IC	μPD4011BC
IC16	IC	μPD4011BC
IC17	IC	μPD4069UBC
IC18	IC	μPD4011BC
IC19	IC	μPD4001BC
Q1	Transistor	2SC2785 EF
Q2	Transistor	2SC2785 EF
Q3	Transistor	2SC2785 EF
Q4	Transistor	2SC2785 EF
Q5	Transistor	2SC2785 EF
Q6	Transistor	2SC2785 EF
Q7	Transistor	2SC2785 EF
Q8	Transistor	RN1204
D1	Diode	1SS53
D2	Diode	1S953
D3	Diode	1S953
D4	Diode	1S953
D5	Zener	RD5.1E B2
D6	Zener	RD3.0E B2
D7	Diode	1SS53
D8	Diode	1SS53
D9	Diode	1SS53
D10	Diode	1SS53
D11	Diode	1SS53
D12	Diode	1SS53
D13	Diode	1SS53
D14	Diode	1SS53

[LOGIC UNIT]

REF. NO.	DESCRIPTION	PART NO.		
R48	Resistor	10kΩ	ELR20	
R49	Array	10kΩ	RMX-8	
R50	Resistor	47kΩ	ELR20	
C1	Electrolytic	0.33μF	50V	MS7
C2	Barrier Layer	0.1μF	16V	
C3	Barrier Layer	0.1μF	16V	
C4	Ceramic	22pF	50V	
C5	Ceramic	22pF	50V	
C6	Barrier Layer	0.0047μF	25V	
C7	Barrier Layer	0.0047μF	25V	
C8	Barrier Layer	0.0047μF	25V	
C9	Ceramic	0.001μF	50V	
C10	Ceramic	47pF	50V	
C11	Barrier Layer	0.01μF	25V	
C12	Electrolytic	0.47μF	50V	MS7
C13	Barrier Layer	0.01μF	25V	
C14	Ceramic	30pF	50V	
C15	Ceramic	30pF	50V	
C16	Ceramic	0.001μF	50V	
C17	Ceramic	0.001μF	50V	
C18	Ceramic	100pF	50V	
C19	Ceramic	0.001μF	50V	
C20	Ceramic	0.001μF	50V	
C21	Ceramic	0.001μF	50V	
C22	Ceramic	0.001μF	50V	
C23	Ceramic	100pF	50V	
C24	Electrolytic	0.47μF	50V	MS7
C25	Electrolytic	47μF	16V	MS7
C26	Barrier Layer	0.01μF	25V	
C27	Ceramic	0.01μF	50V	FZ
C28	Ceramic	0.01μF	50V	FZ
C29	Barrier Layer	0.01μF	25V	
C30	Barrier Layer	0.01μF	25V	
C31	Ceramic	0.01μF	50V	FZ
C32	Ceramic	0.01μF	50V	FZ
C33	Barrier Layer	0.01μF	25V	
C34	Tantalum	1μF	16V	DA
C35	Ceramic	0.01μF	50V	FZ
C37	Tantalum	1μF	16V	DA
C38	Tantalum	1μF	16V	DA
C39	Tantalum	1μF	16V	DA
C40	Ceramic	0.01μF	50V	FZ
C41	Ceramic	0.01μF	50V	FZ
C42	Barrier Layer	0.01μF	25V	
C43	Ceramic	0.001μF	50V	
C44	Barrier Layer	0.01μF	25V	
C48	Barrier Layer	0.0047μF	25V	
J1	Connector	B03B-EH-S		
J2	Connector	B06B-EH-S		
J3	Connector	B10B-EH-S		
J4	Connector	B12B-EH-S		
J5	Connector	TLB-P05H-B1		
J6	Connector	TLB-P02H-B1		
J7	Connector	B07B-EH-S		
J8	Connector	B08B-EH-S		
J9	Connector	B08B-EH-S		
J10	Connector	B06B-EH-S		
J11	Connector	B06B-EH-S		
P1	Connector	EHR-03		
P2	Connector	EHR-05		
S1	Switch	SSSS31124A		
S3	Switch	SCS-10A		
BT1	Lithium Battery	BR2032-1T2		

[LOGIC UNIT]

REF. NO.	DESCRIPTION	PART NO.
EP1	P.C. Board	B-1187C
EP2	Ferrite Bead	FSGH070RN
W3	Jumper	JPW-02A
W4	Jumper	JPW-02A

[PLL UNIT]

REF. NO.	DESCRIPTION	PART NO.
IC1	IC	NJM4560DD
IC2	IC	MC145158P1
IC3	IC	μPB555C
IC4	IC	HD10551
IC5	IC	μA78M08UC
IC6	IC	TA78L005AP
IC7	IC	ND487C1-3R
Q1	FET	2SK125
Q2	Transistor	2SC2026
Q3	Transistor	2SC2668 O
Q4	Transistor	RN2204
Q5	Transistor	RN1204
Q6	Transistor	2SC763 C
Q7	Transistor	RN1204
Q9	Transistor	2SC2026
Q13	FET	2SK125
Q17	Transistor	2SC2785 RF
Q18	Transistor	2SC763 C
Q19	Transistor	2SC763 C
Q20	FET	3SK74 M
Q21	Transistor	2SC763 C
Q25	FET	2SK192A GR
Q27	Transistor	2SC763 C
Q29	Transistor	RN1202
D1	Diode	1SS53
D4	Diode	1SS53
D5	Zener	RD5.1E B2
D6	Diode	1SS53
D7	Diode	1SS53
D8	Diode	1SS53
D9	Varicap	FC52M
D12	Varicap	1SV50E (1)
D13	Varicap	1SV50E (1)
X1	Crystal	CR21 (30.72MHz)
L1	Coil	LAL03NA 1R0M
L2	Coil	LAL02KR 1R0M
L3	Coil	LAL02KR 1R0M
L4	Coil	LS-114
L5	Coil	LS-114
L6	Coil	LA-245
L7	Coil	LA-245
L8	Coil	LA-245
L9	Coil	LA-246
L10	Coil	LA-264
L11	Coil	LAL02KR 1R0M
L12	Coil	LAL03NA 1R0M
L13	Coil	LR-79
L14	Coil	LA-254
L15	Coil	LA-253
L16	Coil	LA-237
L19	Coil	LA-238

[PLL UNIT]

REF. NO.	DESCRIPTION	PART NO.
L20	Coil	LAL02KR 1R0M
L21	Coil	LAL02KR 100K
L22	Coil	LS-94
L23	Coil	LW-19
L24	Coil	LS-114
L25	Coil	LS-114
L26	Coil	LAL02KR 101K
L27	Coil	LAL03NA 101K
L28	Coil	LR-79
L29	Coil	LS-316
L30	Coil	LAL03NA 1R0M
L31	Coil	LS-94
L32	Coil	BT01RN1-A61
L33	Coil	LAL03NA 4R7K
L34	Coil	BT01RN1-A61
L35	Coil	BT01RN1-A61
L36	Coil	BT01RN1-A61
L37	Coil	LB-203
L38	Coil	BT01RN1-A61
L39	Coil	BT01RN1-A61
L40	Coil	BT01RN1-A61
L41	Coil	LAL02KR 1R0M
L42	Coil	BT01RN1-A61
L43	Coil	LAL02KR 1R0M
L44	Coil	BT01RN1-A61
L45	Coil	BT01RN1-A61
L46	Coil	BT01RN1-A61
L47	Coil	BT01RN1-A61
L48	Coil	BT01RN1-A61
L49	Coil	BT01RN1-A61
L50	Coil	BT01RN1-A61
L53	Coil	LA-226
L54	Coil	LA-226
L55	Coil	LA-227
L56	Coil	LA-226
L57	Coil	LA-226
L58	Coil	LA-226
L61	Coil	BT01RN1-A61
L62	Coil	BT01RN1-A61
L63	Coil	BT01RN1-A61
L64	Coil	BT01RN1-A61
L65	Coil	BT01RN1-A61
L67	Coil	LAL02KR 1R0M
L70	Coil	LR-116
L71	Coil	LR-116
L73	Coil	LAL02KR 100K
L74	Coil	LAL03NR 1R0M
L76	Coil	LAL02KR 1R0M
L77	Coil	LR-178
L78	Coil	LAL02KR 1R0M
L79	Coil	LAL02KR 1R0M
L80	Coil	LAL02KR 1R0M
L81	Coil	LAL02KR 1R0M
L82	Coil	LAL03NA 1R0M
L84	Coil	LAL02KR 1R0M
L85	Coil	LAL02KR 100K
L86	Coil	LAL02KR 100K
L87	Coil	LAL03NA 1R0M
L89	Coil	LAL03NA 1R0M
L91	Coil	LAL04NA 101K
L92	Coil	LAL03NA 100K
L93	Coil	LAL02KR 1R0M
L94	Coil	LAL02KR 1R0M
R1	Resistor	47Ω R20
R2	Resistor	47Ω ELR20
R3	Resistor	100Ω R20
R4	Resistor	4.7kΩ R20
R5	Resistor	220Ω R20
R6	Resistor	47Ω R20
R7	Resistor	1.2kΩ ELR20
R8	Resistor	4.7kΩ R20
R9	Resistor	100Ω ELR20
R10	Resistor	4.7kΩ ELR20

[PLL UNIT]

REF. NO.	DESCRIPTION	PART NO.
R11	Resistor	10kΩ R20
R12	Resistor	820Ω ELR20
R13	Resistor	47Ω R20
R14	Resistor	4.7kΩ R20
R15	Resistor	100Ω R20
R16	Resistor	270Ω R20
R17	Resistor	18Ω R20
R18	Resistor	270Ω R20
R19	Resistor	47Ω R20
R20	Resistor	47Ω R20
R21	Resistor	5.6Ω R20
R22	Resistor	47kΩ R20
R23	Resistor	820Ω R20
R24	Resistor	47kΩ R20
R25	Resistor	10kΩ ELR20
R26	Resistor	47kΩ R20
R27	Resistor	1kΩ ELR20
R29	Resistor	10kΩ R20
R30	Resistor	22kΩ ELR20
R31	Resistor	1.5kΩ ELR20
R33	Resistor	1.5kΩ ELR20
R36	Resistor	100Ω R20
R38	Resistor	100Ω ELR20
R40	Resistor	820Ω R20
R41	Resistor	820Ω R20
R42	Resistor	100Ω R25
R48	Thermistor	33D28
R51	Resistor	100Ω R20
R53	Resistor	47Ω R20
R64	Resistor	1kΩ ELR20
R67	Resistor	470Ω R20
R68	Resistor	4.7kΩ ELR20
R69	Resistor	10kΩ ELR20
R70	Resistor	220Ω ELR20
R71	Resistor	4.7kΩ ELR20
R72	Resistor	820Ω ELR20
R73	Resistor	10kΩ ELR20
R79	Resistor	270Ω ELR20
R80	Resistor	1kΩ ELR20
R81	Resistor	100Ω R20
R82	Resistor	1kΩ ELR20
R83	Resistor	22kΩ ELR20
R84	Resistor	470Ω ELR20
R85	Resistor	5.6kΩ ELR20
R86	Resistor	220Ω ELR20
R87	Resistor	4.7kΩ R20
R88	Resistor	4.7kΩ R20
R89	Resistor	4.7kΩ R20
R90	Resistor	4.7kΩ ELR20
R91	Resistor	4.7Ω R25
R93	Resistor	100kΩ R20
R94	Resistor	100kΩ ELR20
R95	Resistor	150Ω R20
R96	Resistor	100Ω R20
R102	Resistor	1.2kΩ R20
R103	Resistor	5.6kΩ R20
R104	Resistor	100Ω R20
R105	Resistor	100Ω R25
R106	Resistor	270Ω R20
R107	Resistor	18Ω R20
R108	Resistor	270Ω R20
R109	Resistor	47Ω R20
R110	Resistor	1Ω ELR25
R112	Resistor	10Ω ELR20
R113	Resistor	47kΩ R20
R114	Resistor	4.7kΩ R20
R115	Resistor	1kΩ ELR20
R116	Resistor	47kΩ ELR20
R118	Resistor	1kΩ R20
R120	Resistor	100Ω R20
R126	Resistor	270Ω R20
R127	Resistor	18Ω R20
R128	Resistor	270Ω R20
R130	Resistor	270Ω R20
R131	Resistor	18Ω R25

[PLL UNIT]

REF. NO.	DESCRIPTION	PART NO.	
R132	Resistor	270Ω	R20
R133	Resistor	10kΩ	ELR20
R134	Resistor	1kΩ	ELR20
C1	Tantalum	0.22μF	15V DA
C2	Ceramic	0.001μF	50V
C3	Ceramic	39pF	50V CH
C4	Ceramic	0.001μF	50V
C5	Electrolytic	100μF	10V MS7
C6	Ceramic	33pF	50V CH
C7	Ceramic	0.001μF	50V
C8	Electrolytic	100μF	10V MS7
C9	Ceramic	0.001μF	50V
C10	Ceramic	100pF	UP050B101K-NA
C11	Electrolytic	100μF	10V MS7
C13	Tantalum	0.47μF	35V DN
C14	Ceramic	0.5pF	50V
C15	Ceramic	3pF	50V
C16	Ceramic	10pF	50V
C17	Ceramic	0.001μF	50V
C18	Ceramic	0.001μF	50V
C19	Barrier Layer	0.1μF	16V
C20	Ceramic	0.001μF	50V
C21	Barrier Layer	0.1μF	16V
C22	Barrier Layer	0.1μF	16V
C23	Ceramic	0.001μF	50V
C24	Ceramic	2pF	50V
C26	Ceramic	1pF	50V
C28	Ceramic	0.001μF	50V
C29	Ceramic	0.0047μF	50V
C30	Ceramic	0.001μF	50V
C31	Barrier Layer	0.1μF	16V
C32	Ceramic	0.0047μF	50V
C33	Ceramic	15pF	50V
C35	Tantalum	1μF	35V DN
C36	Cylinder	0.001μF	UP050B102K-NA
C37	Cylinder	0.001μF	UP050B102K-NA
C38	Ceramic	22pF	50V
C39	Ceramic	15pF	50V
C40	Ceramic	22pF	50V
C41	Ceramic	51pF	50V
C43	Cylinder	100pF	UP050B101K-NA
C44	Cylinder	33pF	UP050SL330J-NA
C45	Ceramic	18pF	50V
C46	Ceramic	18pF	50V
C47	Cylinder	22pF	UP050SL220J-NA
C48	Ceramic	180pF	50V
C49	Ceramic	68pF	50V
C50	Ceramic	10pF	50V
C51	Ceramic	36pF	50V
C52	Ceramic	27pF	50V
C53	Ceramic	4pF	50V
C54	Ceramic	100pF	50V
C55	Ceramic	10pF	50V
C56	Ceramic	62pF	50V
C58	Cylinder	47pF	UP050SL470J-NA
C59	Ceramic	39pF	50V
C60	Ceramic	0.001μF	50V
C61	Ceramic	5pF	50V
C62	Ceramic	220pF	50V
C64	Ceramic	30pF	50V
C66	Ceramic	0.001μF	50V
C67	Electrolytic	10μF	16V MS7
C68	Ceramic	22pF	50V
C69	Ceramic	82pF	50V TH
C70	Ceramic	0.001μF	50V
C71	Electrolytic	10μF	16V MS7
C72	Cylinder	0.001μF	UP050B102K-NA
C73	Ceramic	0.01μF	50V DD106 F 103Z
C74	Ceramic	82pF	50V TH
C75	Ceramic	39pF	50V CH
C76	Ceramic	0.001μF	50V
C77	Barrier Layer	0.0047μF	25V
C78	Cylinder	15pF	UP050SL150J-NA

[PLL UNIT]

REF. NO.	DESCRIPTION	PART NO.	
C79	Ceramic	0.001μF	50V
C80	Ceramic	0.5pF	50V
C81	Ceramic	10pF	50V
C82	Barrier Layer	0.01μF	25V
C83	Ceramic	0.001μF	50V
C84	Ceramic	39pF	50V
C85	Ceramic	120pF	50V
C86	Ceramic	39pF	50V
C87	Barrier Layer	0.1μF	16V
C88	Barrier Layer	0.01μF	25V
C89	Ceramic	0.001μF	50V
C90	Cylinder	47pF	UP050SL470J-NA
C91	Ceramic	0.001μF	50V
C92	Ceramic	0.0047μF	50V
C93	Array	0.001μF × 7	B8XC0114-32N
C94	Array	0.001μF × 7	B8XC0114-32N
C95	Electrolytic	47μF	25V
C96	Ceramic	0.0047μF	50V
C98	Tantalum	1.5μF	25V DN
C99	Ceramic	22pF	50V CH
C100	Ceramic	47pF	50V CH
C101	Ceramic	12pF	50V CH
C102	Electrolytic	100μF	10V MS7
C103	Ceramic	0.0047μF	50V
C105	Cylinder	1pF	UP050SL010M-NA
C106	Ceramic	0.001μF	50V
C107	Ceramic	0.001μF	50V
C109	Ceramic	0.0047μF	50V
C110	Electrolytic	100μF	10V MS7
C111	Cylinder	10pF	UP050SL100J-NA
C113	Ceramic	0.001μF	50V
C114	Ceramic	0.0047μF	50V
C116	Electrolytic	10μF	16V
C117	Ceramic	0.001μF	50V
C118	Electrolytic	10μF	16V MS7
C119	Ceramic	0.001μF	50V
C121	Trimmer	10pF	CV38D1001
C122	Ceramic	62pF	50V CH
C123	Ceramic	12pF	50V CH
C125	Ceramic	0.0047μF	50V
C126	Ceramic	0.001μF	50V
C127	Ceramic	18pF	50V
C129	Ceramic	12pF	50V
C131	Ceramic	24pF	50V
C139	Ceramic	0.0047μF	50V
C140	Ceramic	0.0047μF	50V
C142	Barrier Layer	0.1μF	16V
C143	Ceramic	0.0047μF	50V
C144	Ceramic	0.0047μF	50V
C145	Ceramic	47pF	50V
C153	Ceramic	0.001μF	50V
C154	Ceramic	0.001μF	50V
C155	Ceramic	0.0047μF	50V
C156	Ceramic	0.001μF	50V
C160	Ceramic	12pF	50V
C164	Ceramic	0.001μF	50V
C167	Ceramic	47pF	50V
C169	Tantalum	1μF	16V DA
C170	Barrier Layer	0.1μF	16V
C175	Electrolytic	10μF	16V MS7
C176	Ceramic	0.001μF	50V
C177	Electrolytic	10μF	16V MS7
C180	Ceramic	47pF	50V
C181	Ceramic	0.001μF	50V
C182	Ceramic	0.001μF	50V
C183	Ceramic	0.001μF	50V
C184	Ceramic	0.001μF	50V
C185	Ceramic	7pF	50V
C186	Barrier Layer	0.0047μF	25V
C188	Barrier Layer	0.1μF	16V
C189	Ceramic	56pF	50V
C190	Ceramic	62pF	50V
C191	Ceramic	3pF	50V
C195	Ceramic	0.001μF	50V
C196	Tantalum	1μF	35V DN

[PLL UNIT]

REF. NO.	DESCRIPTION	PART NO.	
C197	Ceramic	36pF	50V
C202	Ceramic	0.001μF	50V
C203	Electrolytic	10μF	16V MS7
C206	Ceramic	0.0047μF	50V
C207	Electrolytic	100μF	16V
C208	Ceramic	0.001μF	50V
C209	Barrier Layer	0.1μF	16V
C210	Ceramic	56pF	50V
C211	Barrier Layer	0.1μF	16V
J2	Connector	TLB-P07H-B1	
J4	Connector	TCS 5037-01-401	
J5	Connector	B09B-EH-S	
J6	Connector	TCS 4480-01-1111	
J7	Connector	B08B-EH-S	
J8	Connector	HSJ0807-01-010	
J9	Connector	TLB-P06H-B1	
J10	Connector	TLB-P07H-B1	
J12	Connector	B05B-EH-S	
J13	Connector	B03B-EH-S	
P1	Connector	TMP-P01X-A1	
P2	Connector	EHR-12	
P3	Connector	TMP-P01X-A1	
EP1	P.C. Board	B-1403B	
EP2	Ferrite Bead	FSQH070RN	
EP3	Ferrite Bead	FSQH070RN	
W8	Jumper	JPW-02A	
W9	Jumper	JPW-02A	
W58	Jumper	JPW-02A	

[DDS UNIT]

REF. NO.	DESCRIPTION	PART NO.	
IC1	IC	SC-1051	
IC2	IC	SC-1052	
IC3	IC	SC-1053	
IC4	IC	TC74HCT374F	
IC5	IC	TC74HCT374F	
X1	Crystal	CR180	
L1	Coil	LQN5N331K	
L2	Coil	LQN5N331K	
L3	Coil	LQN5N331K	
R1	Chip	1MΩ	MCR10
R2	Chip	680Ω	MCR10
R3	Chip	2.2kΩ	MCR10
R4	Array	GF5096	
C1	Trimmer	10pF	TZB04N100BA
C2	Monolithic	33pF	GRM40 CH
C3	Monolithic	0.1μF	GRM40 F
C7	Monolithic	68pF	GRM40
C8	Monolithic	2pF	GRM40
C9	Monolithic	120pF	GRM40
C10	Monolithic	7pF	GRM40
C11	Monolithic	120pF	GRM40

[DDS UNIT]

REF. NO.	DESCRIPTION	PART NO.	
C12	Monolithic	12pF	GRM40
C13	Monolithic	68pF	GRM40
C14	Monolithic	0.1μF	GRM40 F
C15	Monolithic	0.1μF	GRM40 F
C16	Monolithic	0.1μF	GRM40 F
C17	Monolithic	0.1μF	GRM40 F
C18	Monolithic	18pF	GRM40 UJ
C19	Monolithic	0.001μF	GRM40
C20	Monolithic	0.001μF	GRM40
J1	Connector	3022-03A	
J2	Connector	3022-06A	
EP1	P.C. Board	B-1233C	
EP2	Ferrite Bead	FSQH070RN	

[MAIN UNIT]

REF. NO.	DESCRIPTION	PART NO.	
IC1	IC	μPC577H	
IC2	IC	M5218L	
IC3	IC	μPC1037H	
IC4	IC	μPC1037H	
IC5	IC	BA401	
IC6	IC	MC3357P	
IC7	IC	μPC1037H	
IC8	IC	BA222	
IC9	IC	NJM4558D	
IC10	IC	M5218L	
IC11	IC	μPC577H	
IC12	IC	M5218L	
IC13	IC	M5218L	
IC14	IC	μPD4011BC	
IC15	IC	μPD4011BC	
IC16	IC	μA7808	
IC17	IC	BA618	
IC18	IC	μPC2002H	
IC19	IC	μPD4066BC	
IC20	IC	BA695	
IC21	IC	μPC1037H	
Q1	FET	2SK192A Y	
Q2	Transistor	2SA1048 Y/GR	
Q3	Transistor	2SC2785 EF	
Q4	Transistor	2SC2785 EF	
Q5	Transistor	RN2202	
Q6	Transistor	2SC2785 EF	
Q7	Transistor	RN1204	
Q8	Transistor	RN1204	
Q9	Transistor	2SC2785 EF	
Q10	FET	3SK74 M	
Q11	FET	3SK74 M	
Q12	FET	3SL74 M	
Q13	FET	3SK74 M	
Q14	Transistor	2SC2785 EF	
Q15	Transistor	RN2202	
Q16	Transistor	RN2202	
Q17	Transistor	2SC2785 EF	
Q18	Transistor	2SC2785 EF	
Q19	Transistor	2SC2785 EF	
Q20	Transistor	RN1204	
Q21	Transistor	2SC2785 EF	
Q22	Transistor	RN2204	
Q23	Transistor	2SC2785 EF	
Q25	Transistor	RN1204	
Q26	Transistor	RN1204	

[MAIN UNIT]

REF. NO.	DESCRIPTION	PART NO.
Q27	Transistor	2SC2785 EF
Q28	Transistor	2SC2785 EF
Q29	Transistor	RN1204
Q30	Transistor	RN1204
Q31	Transistor	RN1204
Q32	Transistor	2SC2785 EF
Q33	Transistor	2SC2785 EF
Q34	Transistor	2SC1571 G
Q35	Transistor	2SC2785 EF
Q36	Transistor	RN1202
Q37	Transistor	RN1202
Q38	Transistor	RN1202
Q39	Transistor	2SC2785 EF
Q40	Transistor	2SC2785 EF
Q41	Transistor	2SC2785 EF
Q42	Transistor	2SC2785 EF
Q43	Transistor	2SA1048 Y/GR
Q44	Transistor	2SC2785 EF
Q45	Transistor	2SC2785 EF
Q46	Transistor	2SD468 C
Q47	Transistor	RN1204
Q48	Transistor	RN1204
Q49	Transistor	RN1202
Q50	Transistor	2SD468 C
Q51	Transistor	RN1202
Q52	Transistor	2SC2785 EF
Q53	Transistor	2SC2785 EF
Q54	Transistor	2SD468 C
Q55	Transistor	2SD468 C
Q56	Transistor	RN1202
Q57	Transistor	2SB596 O
Q58	Transistor	2SC2785 EF
Q59	Transistor	2SC2785 EF
Q60	Transistor	2SC2785 EF
Q61	Transistor	2SA1048 Y/GR
Q62	Transistor	2SC2785 EF
Q63	Transistor	RN1204
Q64	Transistor	RN1204
Q65	Transistor	RN2202
Q66	Transistor	RN1204
Q67	Transistor	RN1204
Q68	Transistor	RN2204
Q69	Transistor	2SC2785 EF
Q70	Transistor	RN2204
Q71	Transistor	RN1202
Q72	Transistor	RN2202
D1	Diode	1K60
D2	Diode	1K60
D3	Diode	1SS53
D4	Varicap	FC51 M
D5	Diode	1SS133
D6	Diode	1SS133
D7	Diode	1SS133
D8	Diode	1SS216
D9	Diode	1SS133
D10	Diode	1SS53
D11	Diode	1SS53
D12	Diode	1SS53
D13	Diode	1SS53
D14	Diode	1SS53
D15	Diode	1SS53
D16	Diode	1SS53
D17	Diode	1SS53
D18	Diode	1SS53
D19	Diode	1SS53
D20	Diode	1SS53
D21	Diode	1SS53
D22	Diode	1SS53
D23	Diode	1SS53
D24	Diode	1SS53
D25	Diode	1SS133
D26	Diode	1SS53
D27	Diode	1SS53

[MAIN UNIT]

REF. NO.	DESCRIPTION	PART NO.
D28	Diode	1SS237
D29	Diode	1SS237
D32	Diode	1SS53
D33	Diode	1SS53
D34	Diode	1SS53
D35	Varicap	1SV50E (1)
D36	Diode	1SS133
D37	Diode	1SS53
D38	Diode	1SS53
D39	Diode	1SS53
D40	Varicap	1SV50E (1)
D41	Diode	1SS133
D42	Diode	1SS133
D43	Zener	RD6.2E B2
D44	Diode	1SS237
D45	Diode	1SS237
D46	Diode	1SS133
D47	Diode	1SS53
D48	Diode	1SS53
D49	Diode	1SS133
D50	Diode	1SS133
D51	Diode	1SS133
D52	Diode	1SS133
D53	Zener	RD5.1E B2
D54	Diode	1SS216
D55	Diode	1SS216
D56	Diode	1SS237
D57	Diode	1SS237
D58	Diode	1SS133
D59	Diode	1SS133
D60	Diode	1SS133
D61	Diode	1SS133
D62	Diode	1SS133
D63	Diode	1SS133
D64	Diode	1SS133
D65	Zener	MZ303
D66	Diode	1SS133
D67	Diode	1SS133
D68	Diode	1SS133
D69	Diode	1SS133
D70	Diode	1SS133
D71	Diode	1SS133
D72	Diode	1SS133
D73	Diode	1SS133
D74	Diode	1SS133
D75	Diode	1SS133
D76	Diode	1SS133
D77	Diode	1SS133
D78	Zener	RD3.9E B2
D79	Diode	1SS133
D80	Diode	1SS133
D81	Diode	1SS133
D82	Diode	1SS133
D83	Diode	1SS133
D84	Diode	1SS133
D85	Diode	1SS133
D86	Diode	1SS133
D87	Diode	1SS133
D88	Diode	1SS133
D89	Diode	1SS53
D90	Diode	1SS133
D91	Diode	1SS133
D92	Diode	1SS133
D93	Diode	1SS133
D94	Diode	1SS133
D95	Diode	1SS133
D96	Diode	1SS133
D97	Diode	1SS133
D98	Diode	1SS133
D99	Diode	1SS133
FI1	Monolithic	FL-23
FI2	Monolithic	FL-30
FI3	Ceramic	FL-65

[MAIN UNIT]

REF. NO.	DESCRIPTION	PART NO.
FI4	Ceramic	CFW455 E
FI5	Monolithic	FL-23
X1	Crystal	CR49 9.0145MHz
X2	Crystal	CR1 9.4665MHz
X3	Crystal	HC12/U 9.0105MHz
X4	Crystal	CR49 9.0145MHz
L1	Coil	LS-175
L2	Coil	LS-175
L4	Coil	LAL03NA 101K
L5	Coil	LAL03NA 100K
L6	Coil	LS-180B
L7	Coil	LS-180B
L8	Coil	LS-90A
L9	Coil	LS-90A
L10	Coil	LS-137
L11	Coil	LAL03NA 221K
L12	Coil	LS-98A
L13	Coil	LS-163
L14	Coil	LS-175
L15	Coil	LS-163
L16	Coil	LS-163
L17	Coil	LAL03NA 101K
L18	Coil	LAL03NA 101K
L19	Coil	LS-133A
L20	Coil	LAL03NA 150K
L21	Coil	LAL03NA 100K
L22	Coil	LAL03NA 100K
L23	Coil	LS-121
L24	Coil	LAL03NA 101K
L25	Coil	LAL03NA 100K
L26	Coil	LAL03NA 101K
L27	Coil	LAL03NA 101K
L28	Coil	LS-133A
L29	Coil	LAL03NA R27M
L30	Coil	LS-134
L31	Coil	LS-133A
L32	Coil	LAL03NA 101K
L33	Coil	LAL03NA 102K
L34	Coil	LAL03NA 101K
L35	Coil	LAL03NA 561K
L36	Coil	LS-121A
L37	Coil	LW-15
L38	Coil	BT01RN1-A61
L39	Coil	BT01RN1-A61
L40	Coil	LAL03NA 101K
L41	Coil	LAL03NA 101K
R1	Resistor	100kΩ ELR20
R2	Resistor	100Ω R20
R3	Resistor	4.7kΩ ELR20
R4	Resistor	100kΩ ELR20
R5	Resistor	100Ω R20
R6	Resistor	47kΩ ELR20
R7	Resistor	2.2kΩ ELR20
R8	Resistor	5.6kΩ ELR20
R9	Resistor	150Ω R20
R10	Resistor	2.2kΩ R25
R11	Resistor	470kΩ ELR20
R12	Resistor	2.2kΩ ELR20
R13	Resistor	33kΩ R20
R14	Trimmer	22kΩ RH0651CJ4J01A
R15	Resistor	22kΩ ELR20
R16	Resistor	470kΩ ELR20
R17	Resistor	10kΩ R20
R18	Resistor	33kΩ R20
R19	Resistor	22kΩ ELR20
R20	Resistor	2.2MΩ ELR20
R21	Resistor	10kΩ ELR20
R22	Resistor	1.5MΩ R20
R23	Resistor	470kΩ R20

[MAIN UNIT]

REF. NO.	DESCRIPTION	PART NO.
R24	Trimmer	10kΩ RH0651C14J2WA
R25	Resistor	2.2MΩ ELR20
R26	Resistor	10kΩ R20
R27	Resistor	1kΩ ELR20
R28	Resistor	22kΩ ELR20
R29	Trimmer	10kΩ RH0651C14J2WA
R30	Resistor	2.2kΩ ELR20
R31	Trimmer	22kΩ RH0651CJ4J01A
R32	Resistor	1kΩ R20
R33	Resistor	2.2kΩ R25
R34	Resistor	2.2kΩ R20
R35	Resistor	2.2kΩ R20
R36	Resistor	220Ω ELR20
R37	Resistor	47Ω R20
R38	Resistor	1kΩ ELR20
R39	Resistor	470kΩ ELR20
R40	Thermistor	23D29
R41	Resistor	330Ω ELR20
R42	Resistor	220Ω R20
R43	Resistor	4.7kΩ ELR20
R44	Resistor	4.7kΩ ELR20
R45	Resistor	4.7kΩ R25
R46	Resistor	1kΩ R20
R47	Resistor	100Ω R25
R48	Resistor	2.2kΩ ELR20
R49	Resistor	1.5kΩ R20
R50	Resistor	100Ω R20
R51	Resistor	1kΩ R20
R52	Resistor	100Ω R25
R53	Resistor	2.2kΩ ELR20
R54	Resistor	1.5kΩ R20
R55	Resistor	10kΩ R20
R56	Resistor	10kΩ R20
R57	Resistor	10kΩ R20
R58	Resistor	22kΩ ELR20
R59	Resistor	1kΩ ELR20
R60	Resistor	2.2kΩ ELR20
R61	Resistor	6.8kΩ ELR20
R62	Resistor	220Ω ELR20
R63	Resistor	2.2kΩ ELR20
R64	Resistor	5.6kΩ ELR20
R65	Resistor	3.9kΩ ELR20
R66	Resistor	470Ω ELR20
R67	Resistor	3.9kΩ ELR20
R68	Resistor	150Ω ELR20
R69	Resistor	100Ω R20
R70	Resistor	47kΩ ELR20
R71	Thermistor	45D26
R72	Trimmer	47kΩ RH0651CS4J25A
R73	Resistor	10kΩ ELR20
R74	Resistor	10kΩ ELR20
R75	Resistor	100Ω ELR20
R77	Resistor	3.3kΩ ELR20
R78	Resistor	1.5kΩ R20
R79	Resistor	15kΩ ELR20
R80	Resistor	2.2kΩ R20
R81	Resistor	2.2kΩ ELR20
R82	Trimmer	10kΩ RH0651C14J2WA
R83	Resistor	100Ω R20
R84	Thermistor	23D29
R85	Resistor	22Ω ELR20
R86	Resistor	270Ω ELR20
R87	Resistor	470kΩ ELR20
R88	Resistor	470kΩ ELR20
R89	Resistor	4.7kΩ R20
R90	Resistor	220Ω ELR20
R91	Resistor	4.7kΩ R20
R92	Resistor	4.7kΩ ELR20
R93	Resistor	1kΩ ELR20
R94	Thermistor	23D29
R95	Resistor	47kΩ ELR20
R96	Resistor	33kΩ ELR20
R98	Resistor	470kΩ ELR20
R99	Resistor	3.9kΩ ELR20
R100	Resistor	5.6kΩ ELR20



[MAIN UNIT]

REF. NO.	DESCRIPTION	PART NO.	
R101	Resistor	22kΩ	ELR20
R102	Resistor	22kΩ	ELR20
R103	Resistor	1.2kΩ	ELR20
R104	Resistor	470Ω	R20
R105	Trimmer	1kΩ	RH0651C13J1YA
R106	Resistor	100Ω	R20
R107	Resistor	1.5kΩ	R20
R108	Resistor	1.5kΩ	ELR20
R109	Resistor	47kΩ	ELR20
R110	Resistor	39kΩ	ELR20
R111	Thermistor	45D26	
R112	Resistor	68kΩ	ELR20
R113	Resistor	10kΩ	ELR20
R114	Resistor	56kΩ	ELR20
R115	Resistor	22kΩ	R20
R116	Resistor	1kΩ	ELR20
R117	Resistor	470kΩ	ELR20
R118	Resistor	150kΩ	ELR20
R119	Resistor	100kΩ	ELR20
R120	Trimmer	1MΩ	RH0651C16J0RA
R121	Trimmer	47kΩ	RH0651CS4J25A
R122	Resistor	10kΩ	R20
R123	Resistor	10kΩ	ELR20
R124	Resistor	10kΩ	ELR20
R125	Resistor	100kΩ	ELR20
R126	Resistor	100kΩ	ELR20
R127	Resistor	2.2MΩ	ELR20
R128	Resistor	2.2MΩ	ELR20
R129	Resistor	10kΩ	R20
R130	Resistor	4.7kΩ	ELR20
R131	Resistor	4.7kΩ	R20
R132	Resistor	220kΩ	ELR20
R133	Trimmer	10kΩ	RH0651C14J2WA
R134	Resistor	220kΩ	R20
R135	Trimmer	10kΩ	RH0651C14J2WA
R136	Resistor	2.2kΩ	ELR20
R137	Trimmer	10kΩ	RH0651C14J2WA
R138	Resistor	2.2kΩ	R20
R139	Resistor	100Ω	ELR20
R140	Resistor	100Ω	R25
R141	Resistor	1kΩ	R25
R142	Resistor	10kΩ	R20
R143	Resistor	4.7kΩ	R20
R144	Resistor	1.5kΩ	R20
R145	Resistor	2.2kΩ	R20
R146	Resistor	22kΩ	R20
R147	Resistor	10kΩ	R20
R148	Resistor	100Ω	ELR20
R149	Resistor	10kΩ	ELR20
R150	Resistor	100kΩ	R20
R151	Trimmer	47kΩ	RH0651CS4J25A
R152	Trimmer	47kΩ	RH0651CS4J25A
R153	Resistor	120kΩ	ELR20
R154	Resistor	47kΩ	ELR20
R155	Resistor	22kΩ	ELR20
R156	Resistor	470kΩ	ELR20
R157	Resistor	47kΩ	ELR20
R158	Resistor	68kΩ	ELR20
R159	Resistor	2.2kΩ	ELR20
R160	Resistor	4.7kΩ	R20
R161	Resistor	2.2kΩ	R20
R162	Trimmer	4.7kΩ	RH0651CS3J2KA
R163	Resistor	68kΩ	ELR20
R164	Resistor	68kΩ	ELR20
R165	Resistor	100Ω	ELR20
R166	Resistor	10kΩ	ELR20
R167	Resistor	2.2kΩ	R20
R168	Resistor	470kΩ	ELR20
R169	Resistor	1kΩ	ELR20
R170	Resistor	910Ω	R20
R171	Resistor	1kΩ	R20
R172	Resistor	1.2kΩ	ELR20
R173	Trimmer	47kΩ	RH0651CS4J25A
R174	Resistor	100Ω	ELR20
R175	Resistor	2.2kΩ	R20

[MAIN UNIT]

REF. NO.	DESCRIPTION	PART NO.	
R176	Resistor	2.2kΩ	R20
R177	Resistor	2.2kΩ	ELR20
R178	Resistor	2.2kΩ	R20
R179	Resistor	22kΩ	R20
R180	Resistor	22kΩ	ELR20
R181	Resistor	10kΩ	ELR20
R182	Resistor	2.2kΩ	R20
R183	Resistor	100kΩ	ELR20
R184	Resistor	47kΩ	R25
R185	Resistor	100Ω	ELR20
R186	Resistor	2.2kΩ	R25
R187	Resistor	22kΩ	ELR20
R188	Resistor	22kΩ	R20
R191	Resistor	4.7kΩ	ELR20
R192	Resistor	1kΩ	ELR20
R193	Resistor	2.2kΩ	ELR20
R194	Resistor	47Ω	ELR20
R195	Resistor	3.3kΩ	ELR20
R196	Resistor	33kΩ	ELR20
R197	Resistor	47Ω	R20
R198	Resistor	1kΩ	ELR20
R199	Resistor	4.7kΩ	ELR20
R200	Resistor	100kΩ	ELR20
R201	Resistor	1kΩ	ELR20
R202	Resistor	1kΩ	ELR20
R203	Resistor	47Ω	ELR20
R204	Resistor	22kΩ	ELR20
R205	Resistor	10kΩ	ELR20
R206	Resistor	1.5kΩ	ELR20
R207	Resistor	820Ω	ELR20
R208	Trimmer	330Ω	RH0652CN2J04A
R209	Resistor	10kΩ	ELR20
R210	Trimmer	10kΩ	RH0652C14J0FA
R211	Resistor	1kΩ	ELR20
R212	Resistor	10kΩ	ELR20
R213	Resistor	470Ω	ELR20
R214	Resistor	470Ω	ELR20
R215	Resistor	220kΩ	R20
R216	Resistor	1kΩ	R20
R217	Resistor	1kΩ	ELR20
R218	Resistor	1kΩ	ELR20
R219	Resistor	1kΩ	ELR20
R220	Resistor	100kΩ	ELR20
R221	Trimmer	1kΩ	RH0651C13J1YA
R222	Trimmer	47kΩ	RH0651CS4J25A
R223	Resistor	4.7kΩ	ELR20
R224	Resistor	4.7kΩ	ELR20
R225	Resistor	27kΩ	R20
R226	Resistor	5.6kΩ	ELR20
R227	Trimmer	1kΩ	RH0652C13J08A
R228	Resistor	330Ω	ELR20
R229	Resistor	220Ω	R20
R230	Resistor	18kΩ	ELR20
R232	Resistor	1kΩ	ELR20
R233	Resistor	1MΩ	ELR20
R235	Resistor	6.8kΩ	ELR20
R236	Resistor	12kΩ	ELR20
R237	Resistor	1MΩ	R20
R238	Resistor	1MΩ	ELR20
R239	Resistor	2.2MΩ	ELR20
R240	Trimmer	10kΩ	RH0651C14J2WA
R241	Resistor	47kΩ	ELR20
R242	Resistor	47kΩ	ELR20
R243	Resistor	33kΩ	ELR20
R244	Trimmer	10kΩ	RH0651C14J2WA
R245	Resistor	33kΩ	ELR20
R246	Resistor	1MΩ	ELR20
R249	Resistor	22kΩ	ELR20
R250	Trimmer	4.7kΩ	RH0651CS3J2KA
R251	Resistor	470kΩ	R20
R252	Resistor	2.2MΩ	ELR20
R253	Resistor	150Ω	ELR20
R254	Resistor	2.2MΩ	ELR20
R255	Resistor	150kΩ	R20
R256	Trimmer	4.7kΩ	RH0651CS3J2KA

[MAIN UNIT]

REF. NO.	DESCRIPTION	PART NO.	
R257	Trimmer	1MΩ	RH0651C16J0RA
R259	Trimmer	100kΩ	RH0651C15J1UA
R260	Resistor	10kΩ	ELR20
R261	Resistor	10kΩ	R20
R262	Resistor	1MΩ	R20
R263	Resistor	1MΩ	R20
R264	Resistor	3.3MΩ	R25
R265	Trimmer	10kΩ	RH0651C14J2WA
R266	Resistor	2.2kΩ	ELR20
R267	Resistor	4.7kΩ	ELR20
R268	Resistor	1kΩ	R20
R269	Resistor	47kΩ	ELR20
R270	Resistor	47kΩ	R20
R271	Resistor	47kΩ	ELR20
R272	Resistor	1kΩ	R20
R273	Resistor	39kΩ	ELR20
R274	Resistor	15kΩ	ELR20
R275	Resistor	47kΩ	ELR20
R276	Resistor	1kΩ	ELR20
R277	Resistor	47kΩ	R20
R278	Resistor	100Ω	R20
R279	Resistor	470kΩ	ELR20
R280	Resistor	470kΩ	ELR20
R281	Resistor	10kΩ	ELR20
R282	Resistor	10kΩ	ELR20
R283	Resistor	4.7Ω	ELR25
R284	Resistor	1kΩ	ELR25
R285	Resistor	4.7Ω	ELR25
R286	Resistor	1kΩ	ELR25
R287	Resistor	470Ω	ELR25
R288	Resistor	4.7Ω	ELR25
R289	Resistor	2.2kΩ	R20
R290	Resistor	2.2kΩ	ELR20
R291	Resistor	10kΩ	R20
R292	Resistor	4.7Ω	R20
R293	Resistor	220Ω	ELR20
R294	Resistor	2.2kΩ	ELR20
R295	Resistor	2.2kΩ	ELR20
R296	Resistor	1kΩ	R20
R297	Resistor	470Ω	ELR20
R298	Resistor	100kΩ	ELR20
R299	Resistor	220kΩ	R20
R300	Resistor	2.2kΩ	ELR20
R301	Resistor	33Ω	ELR20
R302	Resistor	100kΩ	ELR20
R303	Resistor	22kΩ	ELR20
R304	Resistor	2.2kΩ	R20
R305	Resistor	100kΩ	ELR20
R306	Resistor	47kΩ	R25
R307	Resistor	47kΩ	ELR20
R308	Resistor	47kΩ	R20
R309	Resistor	10kΩ	ELR20
R310	Trimmer	10kΩ	RH0651C14J2WA
R311	Resistor	2.2kΩ	ELR20
R312	Resistor	470kΩ	ELR20
R313	Resistor	100Ω	R20
R314	Resistor	10kΩ	ELR20
R315	Resistor	2.2kΩ	ELR20
R316	Resistor	470kΩ	ELR20
R317	Resistor	10kΩ	R20
R318	Resistor	10kΩ	R20
R319	Resistor	10kΩ	ELR20
R320	Resistor	470Ω	ELR20
R321	Resistor	470Ω	R20
R322	Resistor	2.2kΩ	R20
R323	Trimmer	10kΩ	RH0651C14J2WA
R324	Resistor	2.2kΩ	ELR20
R326	Resistor	2.2kΩ	ELR20
R327	Resistor	470Ω	ELR20
R328	Resistor	47kΩ	ELR20
R329	Resistor	10kΩ	R20
R330	Resistor	2.2kΩ	R20
R331	Resistor	10kΩ	ELR20
R332	Resistor	220kΩ	ELR20
R333	Resistor	470Ω	ELR20

[MAIN UNIT]

REF. NO.	DESCRIPTION	PART NO.	
R336	Resistor	1MΩ	ELR20
R337	Resistor	6.8kΩ	ELR20
R338	Resistor	10kΩ	ELR20
R339	Resistor	2.2kΩ	ELR20
R340	Resistor	8.2kΩ	ELR20
R341	Resistor	22kΩ	ELR20
R342	Resistor	10kΩ	ELR20
R344	Resistor	100kΩ	ELR20
R345	Resistor	10kΩ	ELR20
R347	Resistor	47kΩ	ELR20
R348	Trimmer	47kΩ	RH0651CS4J25A
R349	Resistor	12kΩ	R20
R350	Resistor	2.2kΩ	ELR20
R351	Resistor	10kΩ	R20
R352	Resistor	1MΩ	ELR20
R353	Resistor	4.7kΩ	ELR25
R354	Resistor	10kΩ	R20
C1	Ceramic	2pF	50V
C2	Barrier Layer	0.0047μF	25V
C3	Electrolytic	10μF	16V MS7
C4	Ceramic	0.0047μF	50V
C5	Barrier Layer	0.0047μF	25V
C6	Barrier Layer	0.0047μF	25V
C7	Ceramic	0.0047μF	50V
C8	Ceramic	0.0047μF	50V
C10	Ceramic	120pF	50V
C11	Ceramic	22pF	50V
C12	Electrolytic	10μF	16V MS7
C13	Electrolytic	4.7μF	25V MS7
C14	Ceramic	0.0047μF	50V
C15	Ceramic	18pF	50V
C16	Ceramic	0.0047μF	50V
C17	Ceramic	0.0047μF	50V
C18	Mylar	0.001μF	50V F2Z
C19	Tantalum	1μF	35V DN
C20	Electrolytic	10μF	16V MS7
C21	Electrolytic	47μF	10V
C22	Ceramic	150pF	50V
C23	Ceramic	0.0047μF	50V
C24	Ceramic	0.0047μF	50V
C25	Ceramic	100pF	50V
C27	Ceramic	100pF	50V
C28	Ceramic	3pF	50V
C29	Ceramic	0.0047μF	50V
C30	Barrier Layer	0.1μF	16V
C31	Barrier Layer	0.0047μF	25V
C32	Barrier Layer	0.1μF	16V
C33	Ceramic	0.0047μF	50V
C34	Ceramic	0.0047μF	50V
C35	Ceramic	0.0047μF	50V
C36	Ceramic	0.0047μF	50V
C37	Ceramic	22pF	50V
C38	Ceramic	120pF	50V
C39	Ceramic	0.0047μF	50V
C40	Ceramic	0.0047μF	50V
C41	Ceramic	0.0047μF	50V
C42	Ceramic	0.0047μF	50V
C43	Ceramic	0.0047μF	50V
C44	Ceramic	0.0047μF	50V
C45	Ceramic	0.0047μF	50V
C46	Ceramic	0.0047μF	50V
C47	Ceramic	0.0047μF	50V
C48	Ceramic	0.001μF	50V
C49	Ceramic	2pF	50V
C50	Ceramic	0.0047μF	50V
C51	Ceramic	150pF	50V
C52	Barrier Layer	0.047μF	25V
C53	Barrier Layer	0.047μF	25V
C54	Barrier Layer	560pF	50V
C55	Mylar	0.0047μF	50V F2Z
C56	Ceramic	0.0047μF	50V
C57	Barrier Layer	0.0047μF	25V
C58	Barrier Layer	0.0047μF	25V

[MAIN UNIT]

REF. NO.	DESCRIPTION	PART NO.	
C59	Ceramic	0.0047μF	50V
C60	Ceramic	0.0047μF	50V
C62	Barrier Layer	0.047μF	25V
C63	Ceramic	0.0047μF	50V
C64	Ceramic	0.0047μF	50V
C65	Ceramic	0.0047μF	50V
C66	Mylar	0.01μF	50V F2Z
C67	Ceramic	0.0047μF	50V
C68	Ceramic	0.0047μF	50V
C69	Ceramic	0.0047μF	50V
C70	Ceramic	0.0047μF	50V
C71	Ceramic	10pF	50V
C72	Ceramic	100pF	50V CH
C73	Ceramic	100pF	50V CH
C74	Barrier Layer	0.1μF	16V
C75	Ceramic	0.0047μF	50V
C76	Ceramic	100pF	50V
C77	Ceramic	0.0047μF	50V
C78	Barrier Layer	0.1μF	16V
C79	Barrier Layer	0.1μF	16V
C80	Ceramic	10pF	50V
C81	Ceramic	120pF	50V SH
C82	Ceramic	22pF	50V
C83	Barrier Layer	0.1μF	16V
C84	Electrolytic	10μF	16V MS7
C85	Ceramic	120pF	50V
C86	Barrier Layer	0.01μF	25V
C87	Ceramic	470pF	50V
C88	Ceramic	0.001μF	50V
C89	Ceramic	33pF	50V
C90	Barrier Layer	0.01μF	25V
C91	Tantalum	2.2μF	16V DN
C92	Barrier Layer	0.1μF	16V
C93	Mylar	0.033μF	50V F2Z
C94	Mylar	0.033μF	50V F2Z
C95	Barrier Layer	0.0015μF	25V
C96	Barrier Layer	0.0015μF	25V
C97	Barrier Layer	0.0015μF	25V
C98	Electrolytic	10μF	16V MS7
C99	Electrolytic	0.1μF	50V MS7
C100	Ceramic	0.001μF	50V
C101	Barrier Layer	0.1μF	16V
C102	Ceramic	27pF	50V
C103	Ceramic	0.0047μF	50V
C104	Ceramic	0.0047μF	50V
C105	Ceramic	0.0047μF	50V
C106	Ceramic	47pF	50V
C107	Ceramic	0.0047μF	50V
C108	Ceramic	4pF	50V
C109	Ceramic	100pF	50V CH
C110	Ceramic	100pF	50V CH
C112	Ceramic	0.0047μF	50V
C113	Ceramic	0.0047μF	50V
C114	Ceramic	0.0047μF	50V
C115	Ceramic	0.0047μF	50V
C116	Ceramic	0.0047μF	50V
C117	Ceramic	39pF	50V CH
C118	Ceramic	0.0047μF	50V
C119	Trimmer	30pF	CV05E3001
C120	Ceramic	0.0047μF	50V
C121	Ceramic	220pF	50V CH
C122	Ceramic	220pF	50V CH
C123	Tantalum	0.47μF	35V DN
C124	Ceramic	47pF	50V
C125	Barrier Layer	0.01μF	25V
C126	Ceramic	150pF	50V
C127	Barrier Layer	0.047μF	25V
C128	Barrier Layer	0.01μF	25V
C129	Barrier Layer	0.1μF	16V
C130	Ceramic	0.0047μF	50V
C131	Cylinder	22pF	UP050SL220J-NA
C132	Ceramic	150pF	50V
C133	Tantalum	0.1μF	35V DN
C134	Mylar	0.001μF	50V F2Z
C135	Tantalum	1μF	35V DN

[MAIN UNIT]

REF. NO.	DESCRIPTION	PART NO.	
C136	Electrolytic	47μF	10V MS9
C137	Electrolytic	10μF	16V MS7
C138	Ceramic	10μF	16V MS7
C139	Ceramic	2.2μF	16V DN
C140	Electrolytic	10μF	16V MS7
C141	Electrolytic	10μF	16V MS7
C142	Electrolytic	10μF	16V MS7
C143	Electrolytic	10μF	16V MS7
C144	Electrolytic	0.1μF	50V MS7
C145	Electrolytic	0.22μF	50V MS7
C146	Electrolytic	10μF	16V MS7
C147	Ceramic	120pF	50V
C148	Mylar	0.0022μF	50V F2Z
C149	Ceramic	0.001μF	50V
C150	Electrolytic	10μF	16V MS7
C151	Electrolytic	47μF	10V
C152	Electrolytic	0.47μF	50V MS7
C153	Mylar	0.0022μF	50V F2Z
C154	Electrolytic	47μF	10V
C155	Electrolytic	1μF	50V MS7
C156	Barrier Layer	0.0047μF	25V
C157	Electrolytic	0.47μF	50V BP
C158	Electrolytic	47μF	10V
C159	Barrier Layer	0.047μF	25V
C160	Electrolytic	47μF	10V
C161	Electrolytic	4.7μF	25V MS7
C162	Electrolytic	4.7μF	25V MS7
C163	Electrolytic	4.7μF	25V MS7
C164	Barrier Layer	0.1μF	16V
C165	Electrolytic	100μF	10V
C166	Electrolytic	4.7μF	25V MS7
C167	Electrolytic	10μF	16V MS7
C168	Ceramic	0.0047μF	50V
C169	Ceramic	0.0047μF	50V
C171	Electrolytic	10μF	16V MS7
C172	Electrolytic	10μF	16V MS7
C173	Barrier Layer	0.047μF	25V
C174	Barrier Layer	0.047μF	25V
C175	Barrier Layer	0.047μF	25V
C176	Barrier Layer	0.047μF	25V
C178	Barrier Layer	0.001μF	25V
C179	Electrolytic	4.7μF	25V MS7
C180	Electrolytic	47μF	10V
C181	Mylar	0.022μF	50V F2Z
C182	Mylar	0.022μF	50V F2Z
C183	Mylar	0.022μF	50V F2Z
C184	Barrier Layer	0.1μF	16V
C185	Tantalum	10μF	16V DN
C186	Electrolytic	1μF	50V MS7
C187	Barrier Layer	0.0047μF	25V
C188	Tantalum	1μF	35V DN
C189	Ceramic	470pF	50V
C190	Electrolytic	4.7μF	25V MS7
C191	Ceramic	100pF	50V
C192	Ceramic	0.0047μF	50V
C193	Ceramic	0.0047μF	50V
C194	Ceramic	470pF	50V
C195	Barrier Layer	0.1μF	16V
C196	Tantalum	0.47μF	35V DN
C197	Ceramic	0.001μF	50V
C198	Ceramic	470pF	50V
C199	Barrier Layer	0.0033μF	25V
C200	Mylar	0.01μF	50V F2Z
C201	Mylar	0.033μF	50V F2Z
C202	Mylar	0.0022μF	50V F2Z
C203	Electrolytic	0.47μF	50V MS7
C204	Electrolytic	0.47μF	50V MS7
C205	Electrolytic	10μF	16V MS7
C206	Barrier Layer	0.047μF	25V
C207	Electrolytic	100μF	10V
C208	Electrolytic	100μF	10V
C209	Electrolytic	470μF	16V
C210	Electrolytic	470μF	16V
C211	Mylar	0.022μF	50V
C212	Electrolytic	0.22μF	50V MS7

[MAIN UNIT]

REF. NO.	DESCRIPTION	PART NO.	
C213	Barrier Layer	0.0047μF	25V
C214	Barrier Layer	0.1μF	16V
C215	Electrolytic	1μF	50V MS7
C216	Electrolytic	10μF	16V MS7
C217	Electrolytic	4.7μF	25V MS7
C218	Barrier Layer	0.1μF	16V
C219	Electrolytic	10μF	16V MS7
C220	Electrolytic	3.3μF	50V MS7
C221	Electrolytic	0.22μF	50V MS7
C222	Barrier Layer	0.0047μF	25V
C223	Electrolytic	10μF	16V MS7
C224	Tantalum	1μF	35V DN
C225	Barrier Layer	0.1μF	16V
C226	Electrolytic	0.1μF	50V MS7
C227	Ceramic	8pF	50V
C228	Electrolytic	10μF	16V BP
C229	Electrolytic	4.7μF	25V MS7
C230	Electrolytic	3.3μF	50V MS7
C231	Ceramic	0.0047μF	50V
C232	Barrier Layer	0.0047μF	25V
C233	Ceramic	0.0047μF	50V
C234	Tantalum	1.5μF	25V DN
C235	Barrier Layer	0.1μF	16V
C236	Electrolytic	3.3μF	50V MS7
C237	Ceramic	0.0047μF	50V
C238	Ceramic	0.0047μF	50V
C239	Barrier Layer	0.0047μF	25V
C240	Barrier Layer	0.0047μF	25V
C242	Electrolytic	3.3μF	25V MS7
C243	Electrolytic	10μF	16V MS7
C244	Ceramic	0.0047μF	50V
C245	Tantalum	1.0μF	35V DN
C246	Barrier Layer	0.047μF	25V
C247	Electrolytic	47μF	10V
C248	Barrier Layer	0.1μF	16V
C249	Barrier Layer	0.0047μF	25V
C250	Ceramic	47pF	50V
C251	Ceramic	47pF	50V
C252	Ceramic	47pF	50V
C253	Ceramic	47pF	50V
C254	Ceramic	47pF	50V
C255	Ceramic	47pF	50V
C256	Ceramic	0.0047μF	50V
C257	Ceramic	47pF	50V
C258	Ceramic	47pF	50V
C259	Barrier Layer	0.0047μF	25V
C260	Barrier Layer	0.0047μF	25V
C261	Barrier Layer	0.0047μF	25V
C262	Barrier Layer	0.0047μF	25V
C263	Barrier Layer	0.0047μF	25V
J1	Connector	B12B-EH-S	
J2	Connector	B06B-EH-S	
J3	Connector	B05B-EH-S	
J4	Connector	B07B-EH-S	
J5	Connector	B04B-EH-S	
J6	Connector	B05B-EH-S	
J7	Connector	B04B-EH-S	
J8	Connector	B03B-EH-S	
J9	Connector	B13B-EH-S	
J10	Connector	B07B-EH-S	
J11	Connector	B09B-EH-S	
J12	Connector	B12B-EH-S	
J13	Connector	B09B-EH-S	
J14	Connector	B03B-EH-S	
J15	Connector	TMP-J01X-A2	
J16	Connector	HSJ0807-01-010	
J17	Connector	HSJ0807-01-010	
S1	Switch	SSSS31124A	
S2	Switch	SSSS31124A	
S3	Switch	SSSU12209B	
S4	Switch	SSSU12209B	

[MAIN UNIT]

REF. NO.	DESCRIPTION	PART NO.
EP1	P.C. Board	B-1184E
W50	Jumper	JPW-02A
W51	Jumper	JPW-02A
W120	Jumper	JPW-02A

[SQL UNIT]

REF. NO.	DESCRIPTION	PART NO.	
IC1	IC	NJM4558M	
Q1	Transistor	2SC2712 Y	
Q2	Transistor	2SC3395	
D1	Diode	HSM88AS	
R1	Chip	2.2kΩ	MCR10
R2	Chip	470kΩ	MCR10
R3	Chip	4.7kΩ	MCR10
R4	Chip	10kΩ	MCR10
R5	Chip	10kΩ	MCR10
R6	Chip	470kΩ	MCR10
R7	Chip	470kΩ	MCR10
R8	Chip	1kΩ	MCR10
R9	Chip	6.8kΩ	MCR10
R10	Chip	47kΩ	MCR10
R11	Chip	100kΩ	MCR10
C1	Monolithic	330pF	GRM40
C2	Monolithic	150pF	GRM40
C3	Monolithic	470pF	GRM40
C4	Monolithic	0.1μF	GRM40 F
C5	Monolithic	56pF	GRM40
C6	Monolithic	0.1μF	GRM40 F
EP1	P.C. Board	B-1255A	

[PA UNIT]

REF. NO.	DESCRIPTION	PART NO.
IC1	IC	SC-1068
IC2	IC	NJM7809A
Q1	Transistor	2SC2785 FF/EF/KF
Q2	Transistor	2SD359
Q3	Transistor	2SC2120 Y
D1	Diode	15CD11
D2	Diode	1SS101
D3	Diode	1SS101
D4	Diode	M1308
D5	Diode	M1308
D6	Diode	M1407
D7	Diode	1N4002

[PA UNIT]

REF. NO.	DESCRIPTION	PART NO.	
L1	Coil	LW-9	
L2	Coil	LW-19	
L3	Coil	LA-242	
L4	Coil	LA-252	
L6	Coil	LA-252	
L7	Coil	LW-19	
L8	Coil	LA-242	
L9	Coil	LAL03NA	100K
R1	Resistor	3.3KΩ	R20
R2	Resistor	470Ω	R20
R3	Resistor	330Ω	R50X
R4	Resistor	3.3Ω	R50X
R5	Trimmer	100Ω	RH0651C12J04A
R6	Resistor	5.6kΩ	R25
R7	Resistor	10kΩ	R25
R8	Resistor	0.15Ω	RGB2
R9	Resistor	120Ω	R50X
R10	Resistor	2.2kΩ	R25
R11	Resistor	100Ω	ELR25
R12	Resistor	560Ω	ELR25
R13	Resistor	47kΩ	R20
R14	Resistor	47kΩ	R20
R15	Resistor	0.15Ω	RGB2
R16	Resistor	120Ω	R50X
C1	Ceramic	470pF	50V
C2	Ceramic	0.001μF	50V
C3	Ceramic	0.001μF	50V
C4	Electrolytic	1μF	50V
C5	Ceramic	0.001μF	50V
C6	Barrier Layer	0.047μF	25V
C7	Ceramic	0.001μF	50V
C8	Ceramic	470pF	50V
C9	Ceramic	0.5pF	50V CK
C10	Ceramic	6pF	50V CH
C12	Ceramic	47pF	50V
C13	Ceramic	47pF	50V
C14	Ceramic	0.001μF	500V
C15	Ceramic	10pF	500V
C16	Ceramic	0.001μF	500V
C17	Ceramic	12pF	500V
C18	Ceramic	4pF	500V
C19	Ceramic	15pF	500V
C20	Ceramic	4pF	500V
C21	Ceramic	12pF	500V
C22	Ceramic	0.001μF	50V
C23	Ceramic	0.001μF	50V
C24	Ceramic	1pF	500V
C25	Electrolytic	2200μF	16V SS
C26	Ceramic	0.001μF	50V
C27	Ceramic	470pF	50V
C28	Ceramic	15pF	500V
C29	Ceramic	10pF	500V
C30	Electrolytic	10μF	16V MS7
C31	Ceramic	0.001μF	50V
C32	Ceramic	0.001μF	50V
C33	Electrolytic	0.47μF	50V
C34	Ceramic	0.001μF	50V
C35	Ceramic	0.001μF	50V
C36	Electrolytic	10μF	16V
C37	Ceramic	0.001μF	50V
C38	Ceramic	0.001μF	50V
C40	Ceramic	15pF	500V
C44	Electrolytic	2.2μF	50V
C47	Ceramic	0.001μF	50V
C48	Electrolytic	100μF	16V
C50	Electrolytic	10μF	16V MS7
C51	Ceramic	0.001μF	50V
C52	Feed Through	TF318-450 E 102	GMV 50V
C53	Feed Through	TF318-450 E 102	GMV 50V
C54	Feed Through	TF318-450 E 102	GMV 50V
C55	Feed Through	TF318-450 E 102	GMV 50V

[PA UNIT]

REF. NO.	DESCRIPTION	PART NO.	
C56	Ceramic	0.001μF	50V
C60	Ceramic	0.001μF	50V
C61	Ceramic	0.001μF	50V
C62	Feed Through	TF240-602SS332Z	50V
C63	Feed Through	TF240-602SS332Z	50V
C64	Feed Through	TF240-602SS332Z	50V
C65	Feed Through	TF240-602SS332Z	50V
C66	Feed Through	TF240-602SS332Z	50V
C67	Feed Through	TF240-602SS332Z	50V
C68	Feed Through	TF240-602SS332Z	50V
C69	Feed Through	TF240-602SS332Z	50V
C70	Electrolytic	1000μF	16V SS
J1	Connector	LLR-6	
J2	Connector	ET-01T-1.3B	
J3	Connector	ET-01T-1.3B	
J4	Connector	ET-01T-1.3B	
J5	Connector	ET-01T-1.3B	
J6	Connector	ET-01T-1.3B	
J7	Connector	ET-01T-1.3B	
J8	Connector	ET-01T-1.3B	
J9	Connector	ET-01T-1.3B	
J10	Connector	ET-01T-1.3B	
J11	Connector	MR-DSE-01	
J12	Connector	ET-01T-1.3B	
J13	Connector	ET-01T-1.3B	
J14	Connector	ET-01T-1.3B	
J15	Connector	ET-01T-1.3B	
J16	Connector	ET-01T-1.3B	
J17	Connector	TLB-P07H-B1	
J18	Connector	TLB-P04H-B1	
J19	Connector	B03B-EH-S	
J20	Connector	RT-01T-1.3B	
J21	Connector	B04B-EH-S	
P1	Connector	1490R-1	
P2	Connector	TMP-P01X-A1	
P3	Connector	TMP-P01X-A1	
P4	Connector	EHR-03	
P5	Connector	SMR-10V-B	
P6	Connector	EHR-03	
S1	Thermal	OHD3-50M	
SP1	Speaker	065K12I0810	
MF1	Motor	HMK2609-01-090	
EP1	P.C. Board	B-1419B	
EP2	P.C. Board	B-1530A	

[RF YGR UNIT]

REF. NO.	DESCRIPTION	PART NO.	
IC1	IC	ND487C1-3R	
IC2	IC	412E-H	
Q1	FET	2SK125	
Q2	FET	2SK125	
Q3	FET	3SK121 Y	
Q4	FET	3SK74M	
Q5	Transistor	2SC763 C	

[RF YGR UNIT]

REF. NO.	DESCRIPTION	PART NO.
Q6	Transistor	2SC2668 O
Q7	Transistor	2SC2026
Q8	Transistor	2SC2026
Q9	Transistor	2SC2026
Q10	Transistor	2SC2407 (1)
D1	Diode	MI301
D2	Diode	1SS53
D3	Diode	1SS53
D4	Diode	1SS93
D5	Diode	1SS53
D6	Diode	1SS53
D7	Diode	1SS53
FI1	Crystal	FL-71
L1	Coil	LS-254
L2	Coil	LS-254
L3	Coil	LS-198
L4	Coil	LR-145
L5	Coil	LS-229
L6	Coil	LS-229
L7	Coil	LS-229
L8	Coil	LS-229
L9	Coil	LA-243
L10	Coil	LS-114
L11	Coil	LS-114
L12	Coil	LS-114
L13	Coil	LR-178
L14	Coil	LS-90A
L15	Coil	LS-163
L16	Coil	LAL03NA 100K
L17	Coil	LS-114
L18	Coil	LS-254
L19	Coil	LS-254
L20	Coil	LS-284
L21	Coil	LS-284
L22	Coil	LA-243
L23	Coil	LA-235
L24	Coil	LR-116
L25	Coil	LA-238
L26	Coil	LS-229
L27	Coil	LS-229
L28	Coil	LS-229
L29	Coil	LS-229
L30	Coil	LS-229
L31	Coil	LA-234
L32	Coil	LA-233
L33	Coil	LA-242
L34	Coil	LA-234
L35	Coil	LW-19
L36	Coil	LAL03NA 100K
L37	Coil	LAL03NA 100K
L38	Coil	LAL03NA 1R0M
L39	Coil	LAL02KR 100K
L40	Coil	LAL03NA 100K
L41	Coil	LA-243
L42	Coil	LAL02KR 100K
R1	Resistor	22Ω R20
R2	Resistor	100Ω ELR20
R3	Resistor	47Ω R20
R4	Resistor	4.7kΩ ELR20
R5	Resistor	470Ω ELR20
R6	Resistor	820Ω ELR20
R7	Resistor	470Ω ELR20
R8	Resistor	100Ω R20
R9	Resistor	82Ω ELR20
R10	Resistor	33kΩ ELR20
R11	Resistor	100kΩ R20
R12	Resistor	1MΩ R20

[RF YGR UNIT]

REF. NO.	DESCRIPTION	PART NO.
R13	Resistor	150Ω ELR20
R14	Resistor	1kΩ ELR20
R15	Resistor	47Ω R20
R16	Resistor	2.2kΩ R20
R17	Resistor	2.2kΩ R20
R18	Resistor	2.2kΩ R20
R19	Resistor	100Ω R20
R20	Resistor	100Ω R20
R21	Resistor	10kΩ ELR20
R22	Resistor	15kΩ ELR20
R23	Resistor	47Ω ELR20
R24	Resistor	8.2kΩ R20
R25	Resistor	100Ω R20
R26	Resistor	100Ω R20
R27	Resistor	3.3kΩ ELR20
R28	Resistor	12kΩ R20
R29	Resistor	100Ω ELR20
R30	Resistor	100Ω R20
R31	Resistor	820Ω ELR20
R32	Resistor	5.6Ω R20
R34	Resistor	100Ω R20
R35	Resistor	10kΩ ELR20
R36	Resistor	1.2kΩ ELR20
R37	Resistor	1.5kΩ ELR20
R38	Resistor	5.6kΩ ELR25
R39	Resistor	820Ω ELR20
R40	Resistor	5.6Ω R20
R41	Resistor	820Ω ELR20
R43	Resistor	820Ω ELR20
R44	Resistor	5.6Ω R20
R45	Resistor	820Ω ELR20
R46	Resistor	22Ω R20
R47	Resistor	6.8kΩ R20
R48	Resistor	1kΩ ELR20
R49	Resistor	100Ω ELR20
R50	Resistor	100Ω R20
R51	Resistor	1kΩ ELR20
R52	Resistor	6.8kΩ R25
R53	Resistor	100Ω R25
R54	Resistor	100Ω ELR20
R55	Resistor	100Ω ELR20
R56	Resistor	2.2kΩ R20
R57	Resistor	47Ω R20
R58	Resistor	10kΩ R20
R59	Resistor	22Ω ELR20
R60	Resistor	100Ω ELR20
R61	Resistor	2.2kΩ R20
R62	Resistor	2.2kΩ R20
C1	Ceramic	4pF 50V
C2	Ceramic	8pF 50V
C3	Ceramic	0.001μF 50V
C4	Barrier Layer	0.0047μF 25V
C5	Ceramic	47pF 50V
C6	Ceramic	0.0047μF 50V
C7	Ceramic	8pF 50V
C8	Ceramic	0.001μF 50V
C9	Ceramic	0.001μF 50V
C10	Ceramic	8pF 50V TH
C11	Ceramic	0.5pF 50V CK
C12	Ceramic	6pF 50V TH
C13	Ceramic	0.5pF 50V CK
C14	Ceramic	7pF 50V TH
C15	Ceramic	0.5pF 50V CK
C16	Ceramic	6pF 50V TH
C17	Ceramic	470pF 50V
C18	Ceramic	0.001μF 50V
C19	Ceramic	47pF 50V
C21	Ceramic	0.001μF 50V
C22	Ceramic	470pF 50V
C23	Trimmer	10pF CV38D1001
C24	Ceramic	0.001μF 50V
C25	Ceramic	4pF 50V CH
C27	Ceramic	0.001μF 50V

[RF YGR UNIT]

REF. NO.	DESCRIPTION	PART NO.	
C28	Barrier Layer	0.1μF	16V
C29	Ceramic	0.001μF	50V
C30	Barrier Layer	0.0047μF	25V
C31	Barrier Layer	0.0047μF	25V
C32	Ceramic	6pF	50V
C33	Barrier Layer	0.0047μF	25V
C34	Ceramic	0.001μF	50V
C35	Cylinder	5.6pF	UP050SL5R6K-NA
C36	Cylinder	1pF	UP050SL010M-NA
C37	Ceramic	9pF	50V
C38	Ceramic	0.001μF	50V
C39	Ceramic	0.0047μF	50V
C40	Cylinder	0.001μF	UP125B102K-NA
C41	Ceramic	47pF	50V
C42	Ceramic	47pF	50V
C43	Ceramic	1.5pF	50V CK
C45	Cylinder	39pF	UP050SL390J-NA
C46	Ceramic	0.001μF	50V
C47	Ceramic	0.0047μF	50V
C48	Ceramic	8pF	50V
C49	Ceramic	0.001μF	50V
C50	Ceramic	0.0047μF	50V
C51	Ceramic	18pF	50V
C52	Ceramic	8pF	50V
C53	Ceramic	1.5pF	50V
C54	Ceramic	8pF	50V
C55	Ceramic	47pF	50V
C56	Ceramic	22pF	50V
C57	Ceramic	0.001μF	50V
C58	Barrier Layer	0.0047μF	25V
C59	Ceramic	0.001μF	50V
C60	Barrier Layer	0.0047μF	25V
C61	Ceramic	10pF	50V
C62	Ceramic	0.001μF	50V
C63	Ceramic	0.0047μF	50V
C64	Ceramic	2pF	50V
C65	Ceramic	10pF	50V
C66	Ceramic	15pF	50V
C67	Ceramic	5pF	50V
C68	Ceramic	27pF	50V
C69	Ceramic	0.001μF	50V
C70	Ceramic	0.0047μF	50V
C71	Ceramic	0.001μF	50V
C72	Cylinder	47pF	UP050SL470J-NA
C73	Ceramic	0.001μF	50V
C74	Ceramic	0.001μF	50V
C75	Barrier Layer	0.0047μF	25V
C76	Ceramic	0.001μF	50V
C77	Trimmer	6pF	CV05A0601
C78	Ceramic	7pF	50V
C79	Ceramic	15pF	50V
C80	Ceramic	8pF	50V TH
C81	Ceramic	0.5pF	50V CK
C82	Ceramic	7pF	50V TH
C83	Ceramic	0.5pF	50V CK
C84	Ceramic	6pF	50V TH
C85	Ceramic	4pF	50V CH
C86	Ceramic	470pF	50V
C87	Ceramic	0.001μF	50V
C88	Ceramic	7pF	50V TH
C89	Ceramic	0.5pF	50V CK
C90	Cylinder	6.8pF	UP050SL6R8K-NA
C91	Cylinder	15pF	UP050SL150J-NA
C92	Ceramic	75pF	50V
C93	Ceramic	470pF	50V
C94	Ceramic	0.001μF	50V
C95	Trimmer	10pF	CV38D1001
C96	Ceramic	3pF	50V
C97	Ceramic	0.001μF	50V
C98	Ceramic	470pF	50V
C99	Ceramic	0.001μF	50V
C100	Ceramic	75pF	50V
C101	Ceramic	470pF	50V
C102	Ceramic	0.001μF	50V
C103	Trimmer	20pF	CV38D2001

[RF YGR UNIT]

REF. NO.	DESCRIPTION	PART NO.	
C105	Ceramic	0.001μF	50V
C106	Ceramic	0.001μF	50V
C107	Electrolytic	10μF	16V MS7
C108	Ceramic	68pF	50V
C109	Ceramic	0.001μF	50V
C110	Ceramic	4pF	50V CH
C111	Ceramic	1pF	50V CK
C112	Ceramic	4pF	50V CH
C113	Ceramic	2pF	50V CK
C114	Ceramic	3pF	50V CJ
C115	Ceramic	0.001μF	50V
C116	Ceramic	7pF	50V
C117	Ceramic	15pF	50V
C118	Ceramic	30pF	50V
C119	Electrolytic	10μF	16V MS7
J1	Connector	B04B-EH-S	
J2	Connector	TMP-J01X-A2	
J3	Connector	TMP-J01X-A2	
J4	Connector	TMP-J01X-A2	
J5	Connector	TMP-J01X-A2	
J6	Connector	TMP-J01X-V2	
J7	Connector	TMP-J01X-V2	
P1	Connector	EHR-07	
P2	Connector	TMP-P01X-A1	
EP1	P.C. Board	B-1398B	

[REG UNIT]

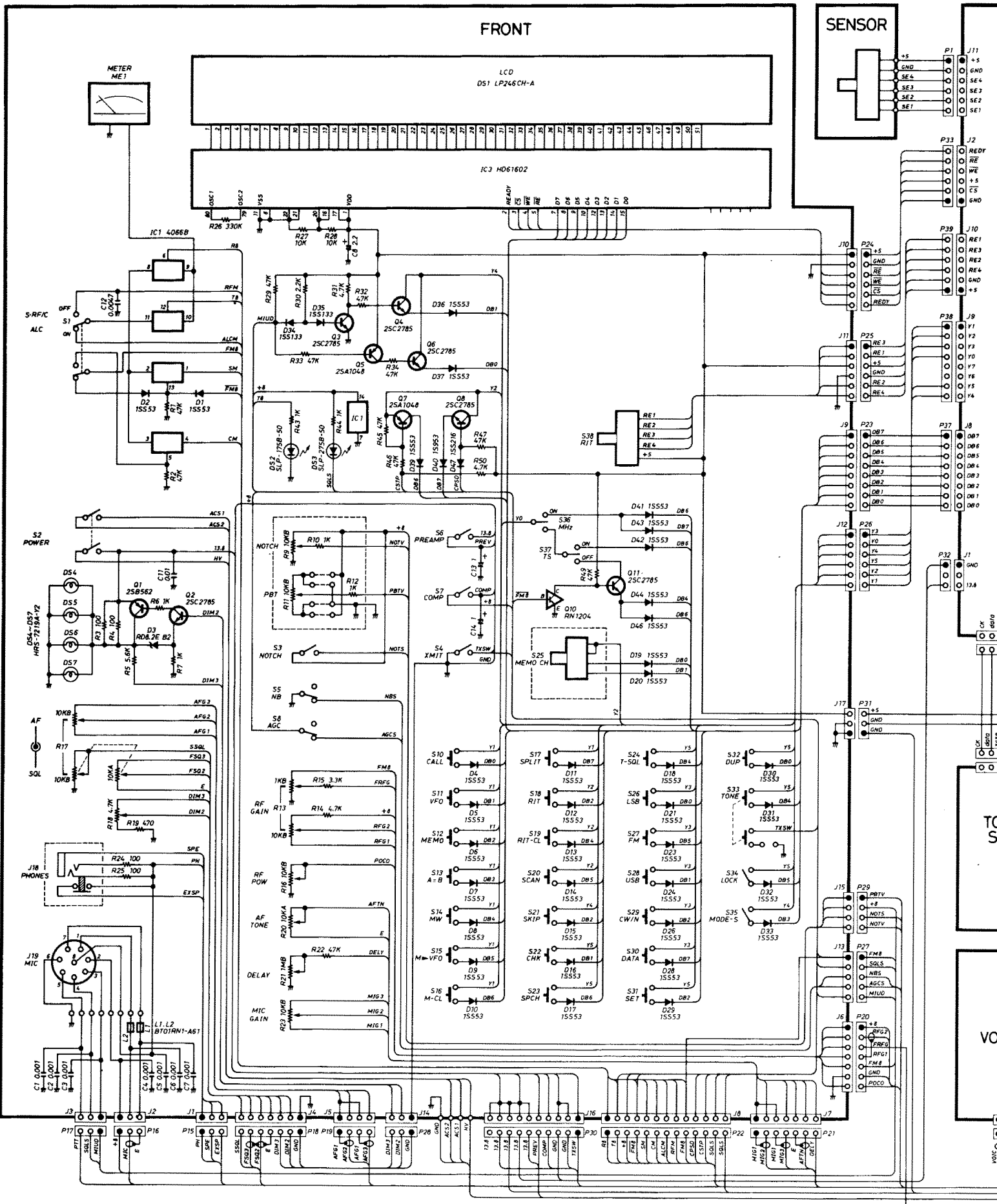
REF. NO.	DESCRIPTION	PART NO.	
IC1	IC	SG3524N	
Q1	Transistor	2SC2501	
Q2	Transistor	2SC2501	
D1	Diode	SB1680 (ESAC85-009)	
D2	Diode	V19B	
D3	Diode	V19B	
D4	Diode	1N4002	
D5	Diode	KBL06	
D6	Diode	1N4002	
L1	Coil	LR-59A	
L2	Coil	TO-12	
L3	Coil	SK-24P-110-100	
L4	Coil	FL7H 102J 1000μ	
L5	Coil	TI-5	
L6	Coil	LR-92	
R1	Resistor	120kΩ	R20
R2	Resistor	120kΩ	R20
R3	Resistor	4.7Ω	R20
R4	Resistor	4.7Ω	R20
R5	Resistor	22Ω	R20
R6	Resistor	22Ω	R20
R7	Resistor	390Ω	R25
R8	Resistor	33Ω	R25
R9	Resistor	0.022Ω	RA-1
R10	Resistor	2.2kΩ	R20
R11	Resistor	33Ω	R20

[REG UNIT]

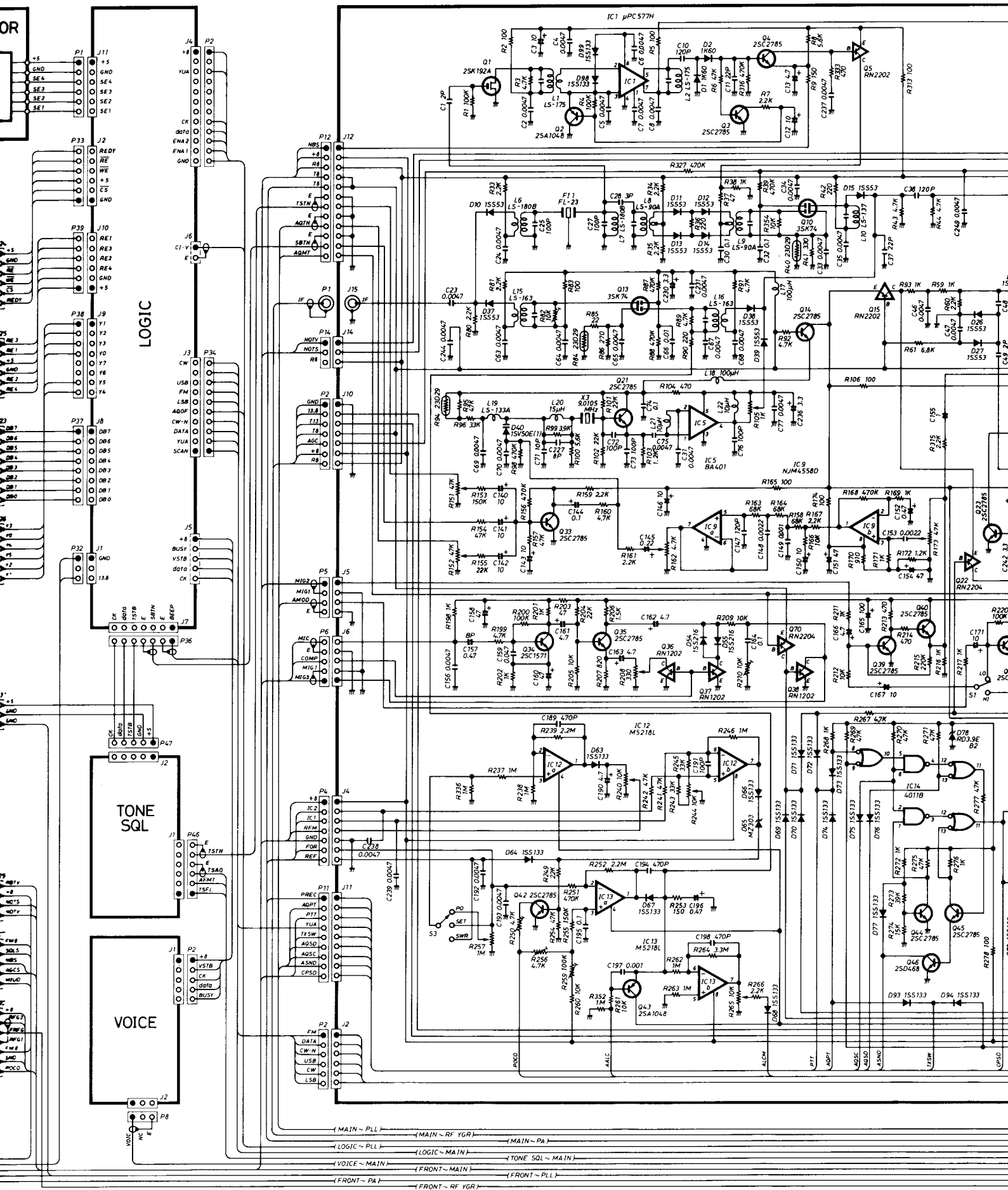
REF. NO.	DESCRIPTION	PART NO.
R12	Resistor	4.7kΩ ELR20
R13	Resistor	4.7kΩ R25
R14	Resistor	4.7kΩ ELR20
R15	Trimmer	10kΩ RH0651C14J2WA
R16	Resistor	15kΩ R20
R17	Absorber	ERZ-C07DK431
R18	Resistor	SRW2P0.5
R19	Resistor	SRW2P0.5
R20	Resistor	120kΩ R20
R21	Resistor	120kΩ R20
R22	Resistor	10kΩ R20
C1	Ceramic	0.0022μF DE7100F222MAC400
C2	Ceramic	0.0022μF DE7100F222MAC400
C3	Ceramic	0.02μF 500V
C4	Electrolytic	3.3μF 200V 200UPA3R3VA-M
C5	Electrolytic	3.3μF 200V 200UPA3R3VA-M
C6	Ceramic	0.0022μF DE7100F222MAC400
C7	Ceramic	470pF 500V
C8	Metallized	0.47μF 400V 400MMW474K
C9	Ceramic	0.0047μF 50V
C10	Ceramic	0.0047μF 50V
C11	Electrolytic	1000μF 16V ECEA1CG102S
C12	Electrolytic	1000μF 16V ECEA1CG102S
C13	Electrolytic	47μF 16V
C14	Mylar	0.01μF 50V F2Z
C15	Mylar	0.01μF 50V F2Z
C16	Electrolytic	0.47μF 50V
C17	Electrolytic	10μF 16V
C18	Mylar	0.001μF 50V F2Z
C19	Ceramic	0.001μF 50V
C20	Electrolytic	10μF 16V
C21	Monolithic	0.68μF 50V C76AF1H684Z
C22	Ceramic	0.0022μF 50V
C23	Ceramic	0.0022μF 500V
C24	Ceramic	0.0022μF 500V
C25	Ceramic	0.0022μF 500V
C26	Ceramic	0.0022μF 500V
C27	Electrolytic	330μF 200V 200 SXP 330
C28	Electrolytic	330μF 200V 200 SXP 330
C29	Electrolytic	330μF 200V 200 SXP 330
C30	Electrolytic	330μF 200V 200 SXP 330
C31	Electrolytic	470μF 25V
C32	Electrolytic	100μF 25V
C33	Monolithic	0.68μF 50V C76AF1H684Z
C34	Metallized	0.082μF ECQ-U2A823MW250VAC
C35	Ceramic	0.001μF DE7090B102KAC400
C36	Ceramic	0.001μF DE7090B102KAC400
J1	Connector	AP-300-3-A-1-NI-BLACK
P1	Connector	1625-03P1
P2	DC Cord	OPC-154
P3	Connector	1625-03R1
F1	Fuse	F.G.M.B 125V 5A
F2	Holder	FH-033
T1	Transformer	TP-32
EP1	P.C. Board	B-1174B
EP12	Ferrite Bead	FSQH070RN
W9	Jumper	JPW-02A

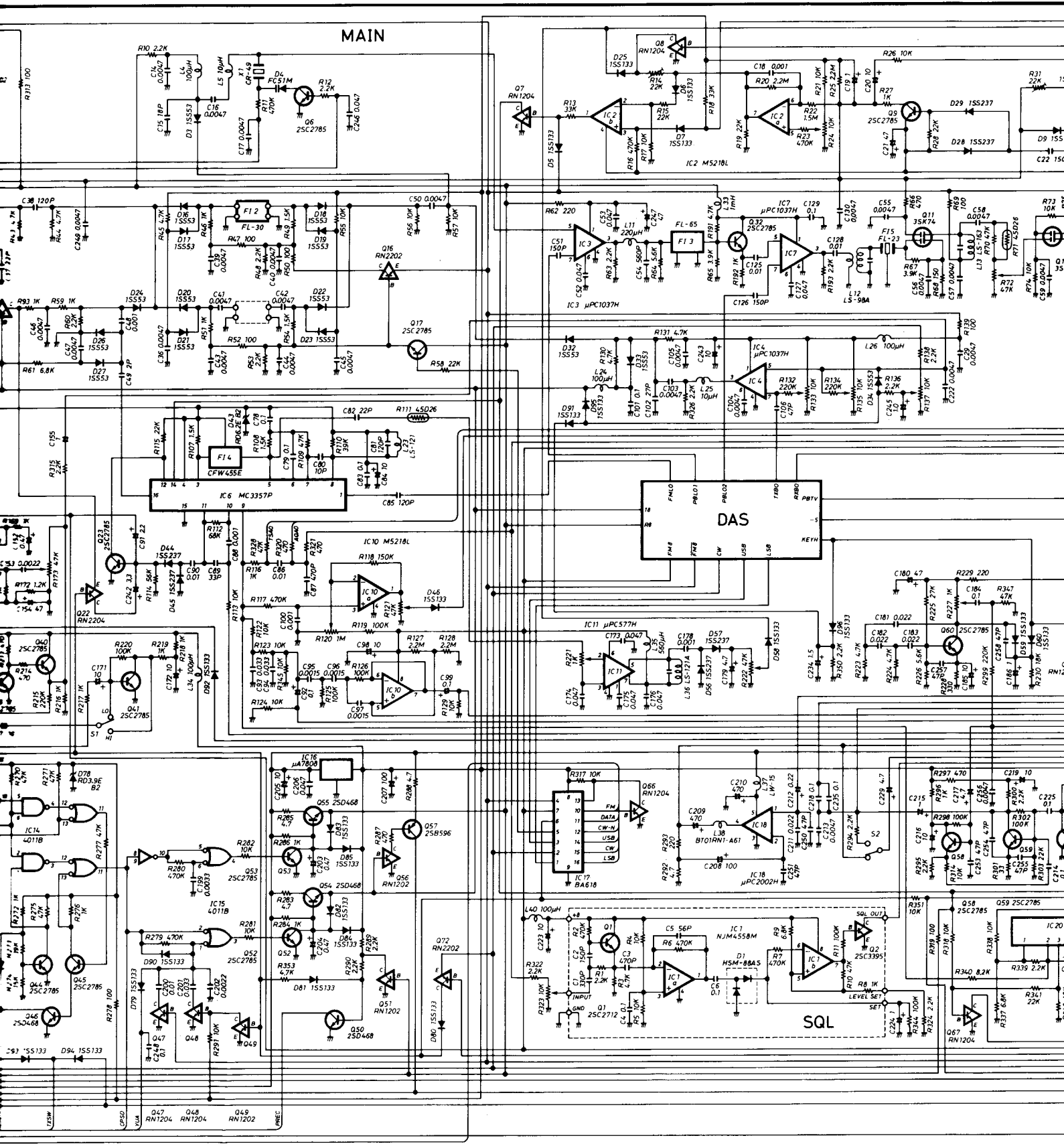


# IC-375A SCHEMATIC DIAGRAM



# GRAM

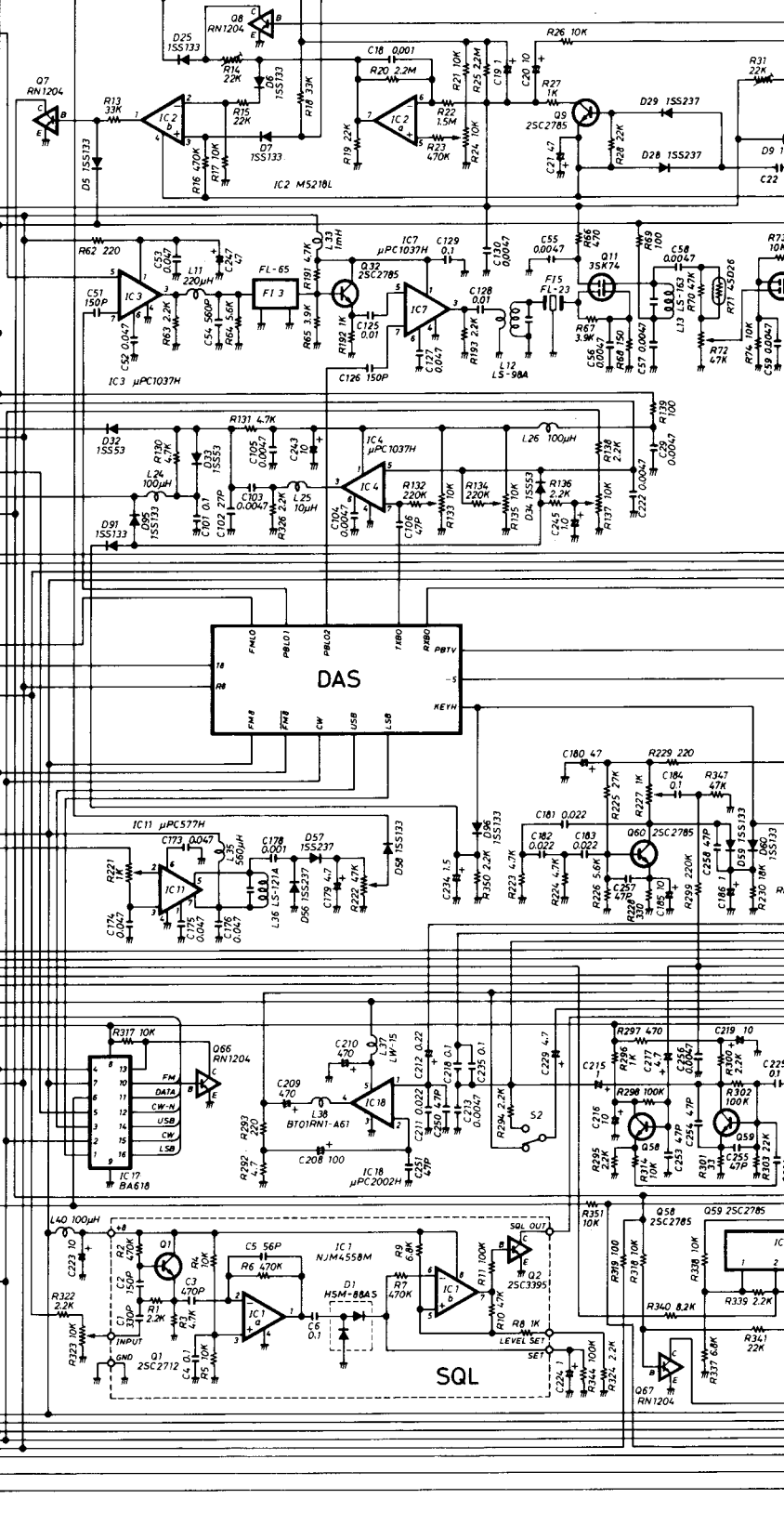
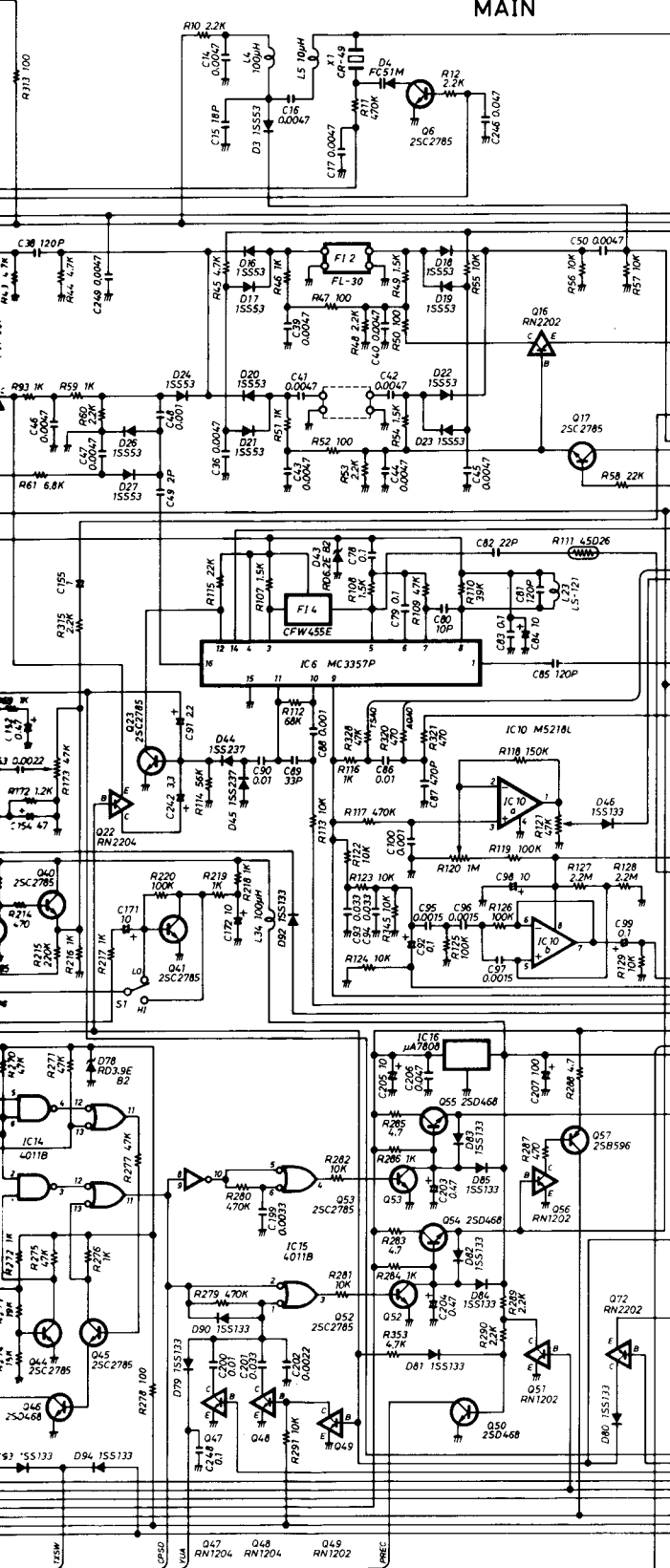




MAIN

DAS

SQL



PSD VIA 047 RN1204 048 RN1204 049 RN1202

WEL

USW 045 25C2785 046 25C468 047 25C2785 048 25C2785 049 25C2785

045 25C2785 046 25C2785 047 25C2785 048 25C2785 049 25C2785

045 25C2785 046 25C2785 047 25C2785 048 25C2785 049 25C2785

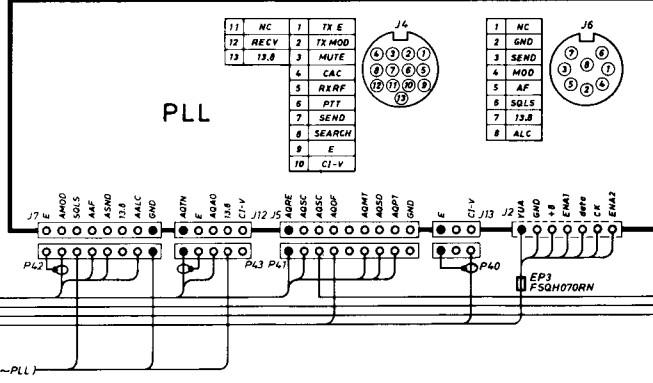
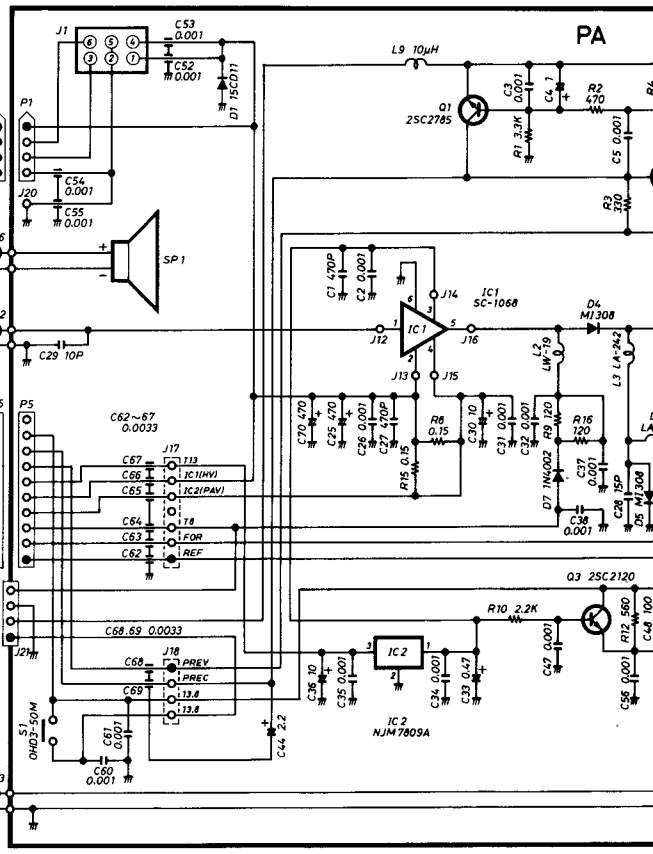
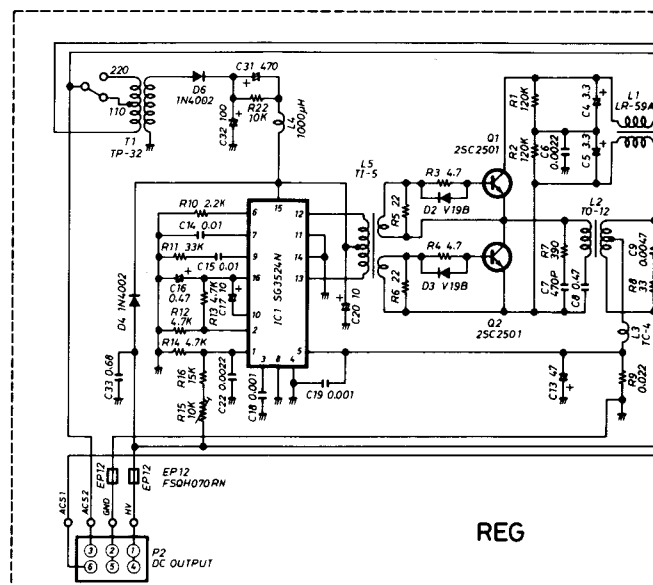
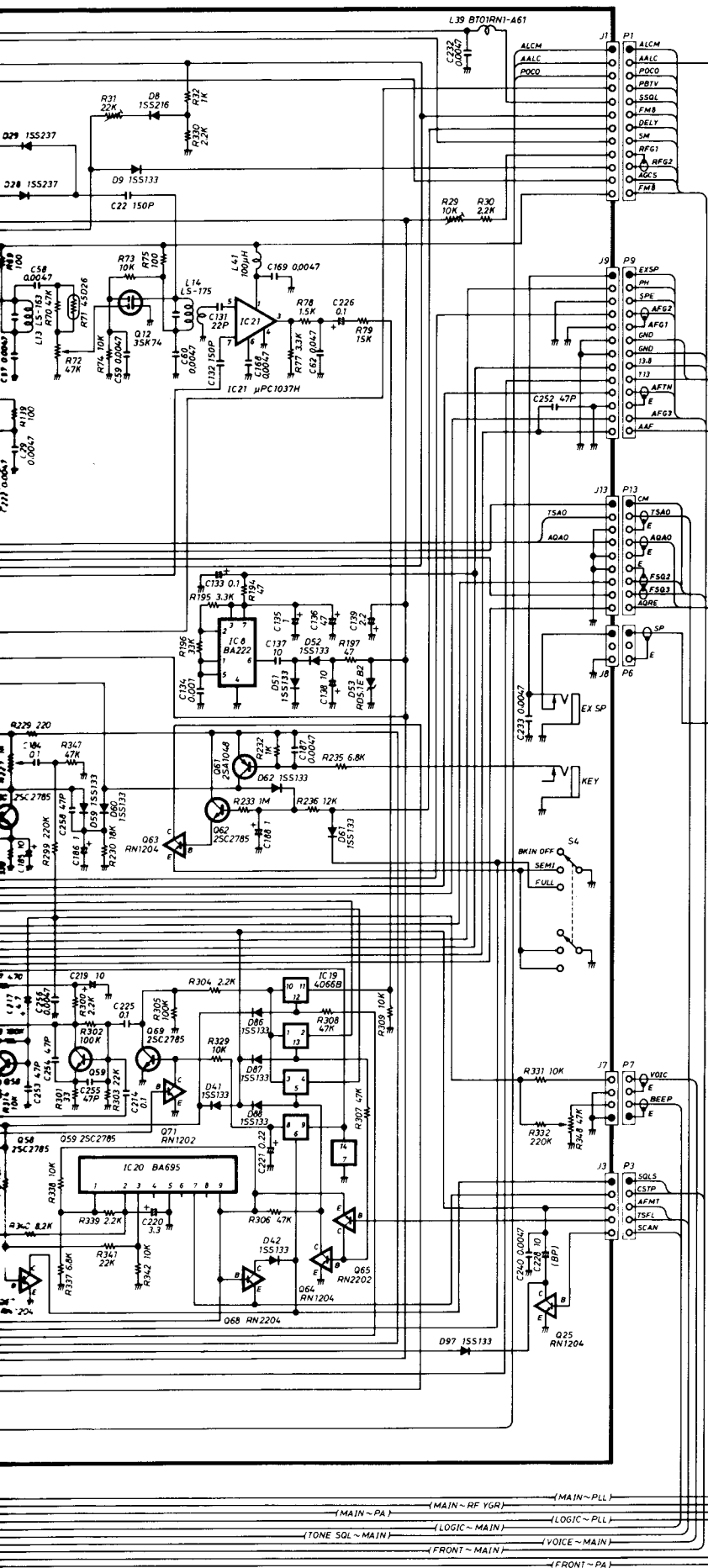
045 25C2785 046 25C2785 047 25C2785 048 25C2785 049 25C2785

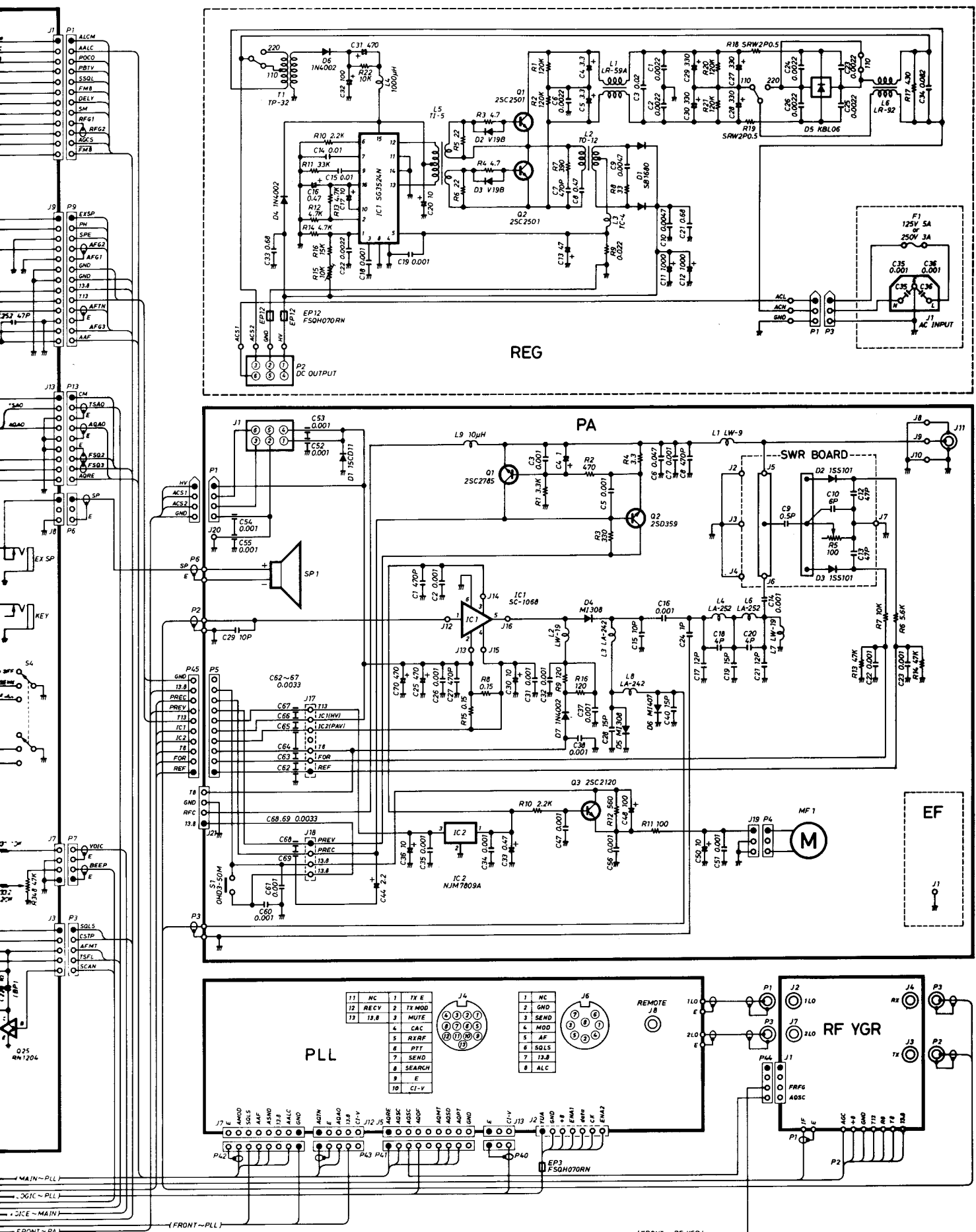
045 25C2785 046 25C2785 047 25C2785 048 25C2785 049 25C2785

045 25C2785 046 25C2785 047 25C2785 048 25C2785 049 25C2785

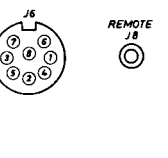
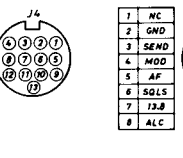
045 25C2785 046 25C2785 047 25C2785 048 25C2785 049 25C2785

045 25C2785 046 25C2785 047 25C2785 048 25C2785 049 25C2785



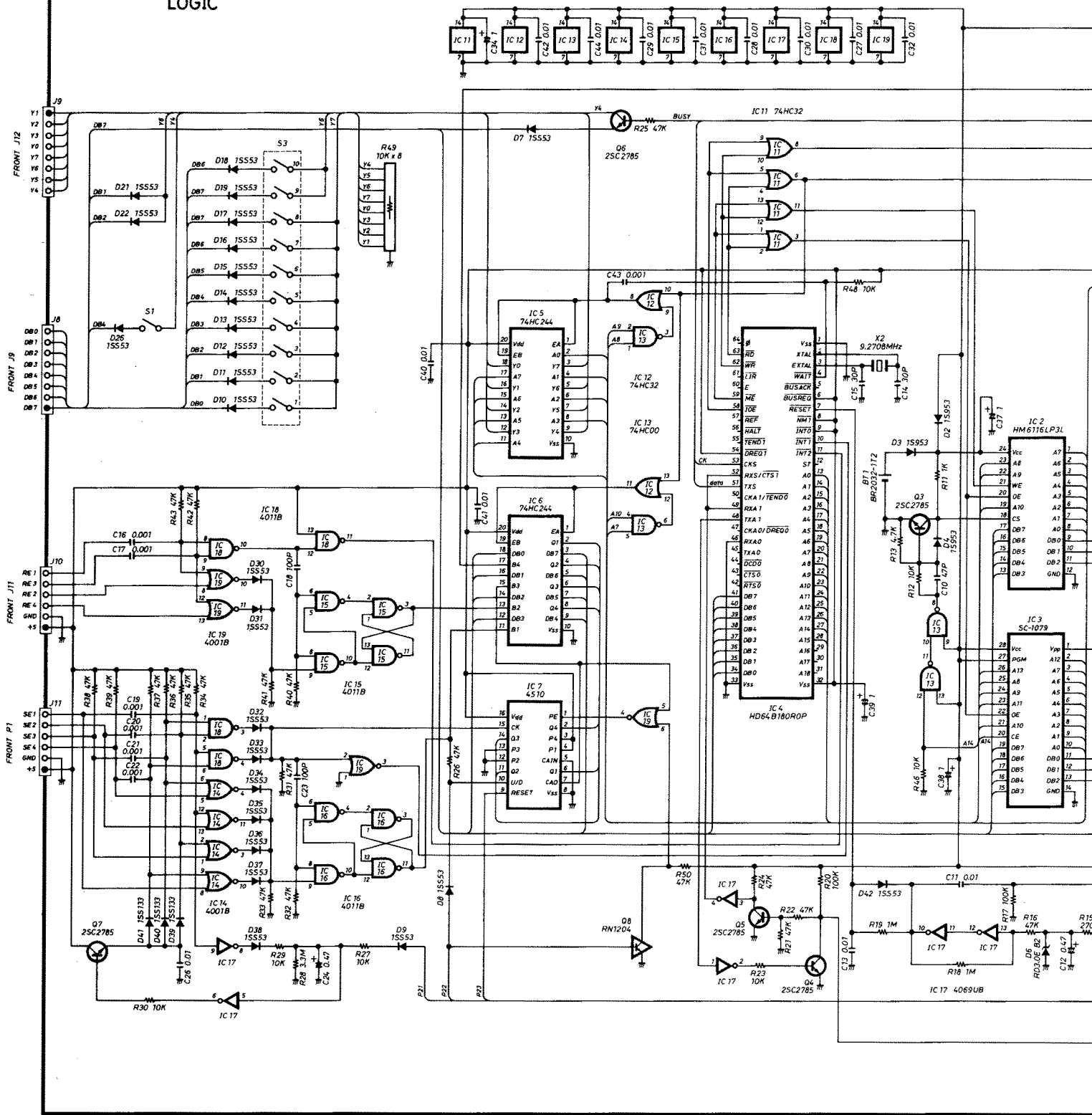


11	NC	1	TX E
12	RECY	2	TX MOD
13	13.8	3	MUTE
4	CAC	4	CAC
5	RX RF	5	RX RF
6	PTT	6	PTT
7	SEND	7	SEND
8	SEARCH	8	SEARCH
9	E	9	E
10	CI-V	10	CI-V

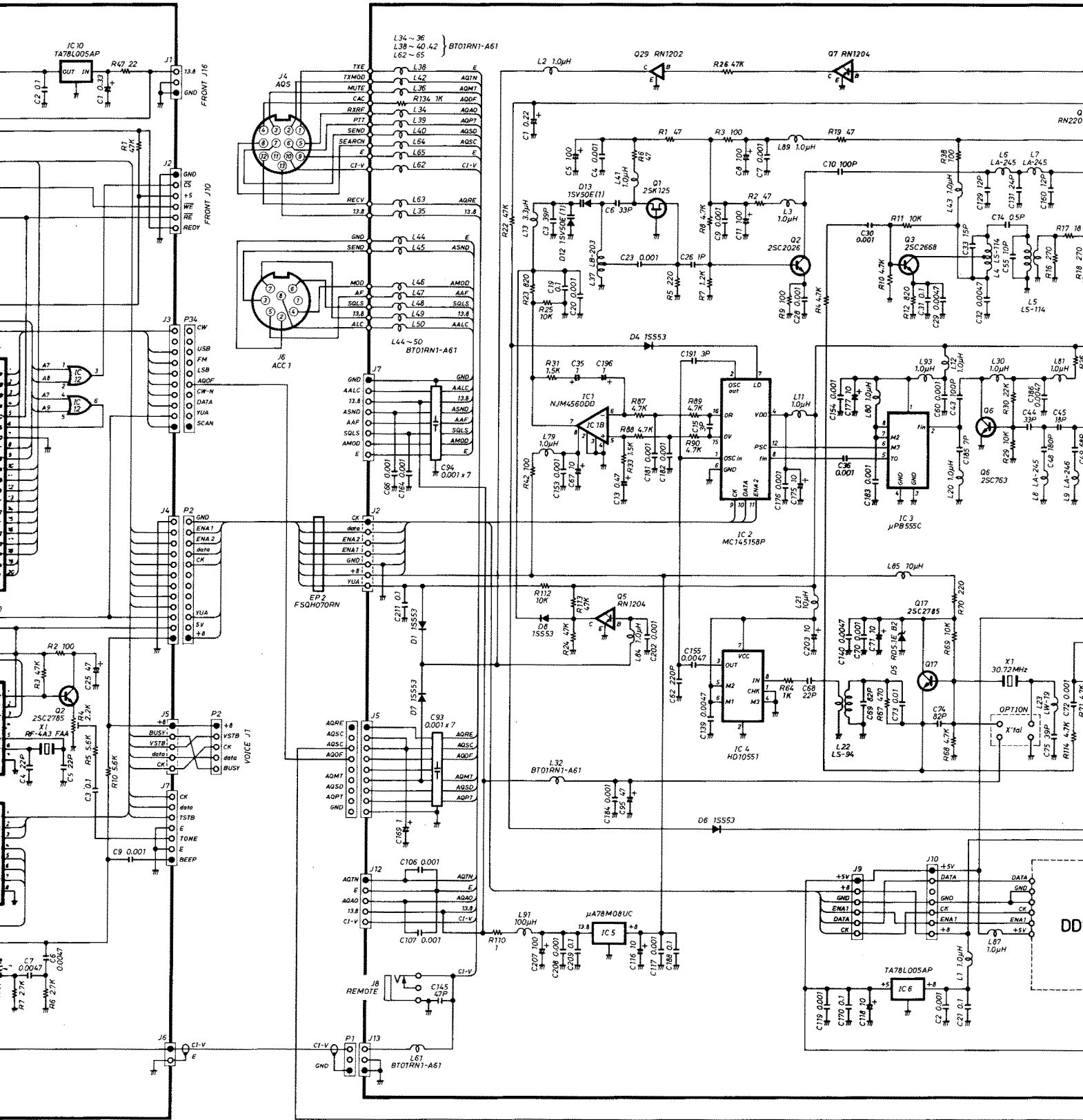


To upgrade quality, some components may be subject to change without notice.

# LOGIC







L34 ~ 36  
L38 ~ 40, 42  
L62 ~ 65 } BT01RN1-A61

L44 ~ 50  
BT01RN1-A61

Q29 RN1202  
Q7 RN1204

IC1 NJM4560DD  
IC2 MC145158P

Q5 RN1204  
Q17 25C2785

IC3  $\mu$ PB555C  
IC4 H010551

IC5  $\mu$ A78M08UC  
IC6 TA78L005AP

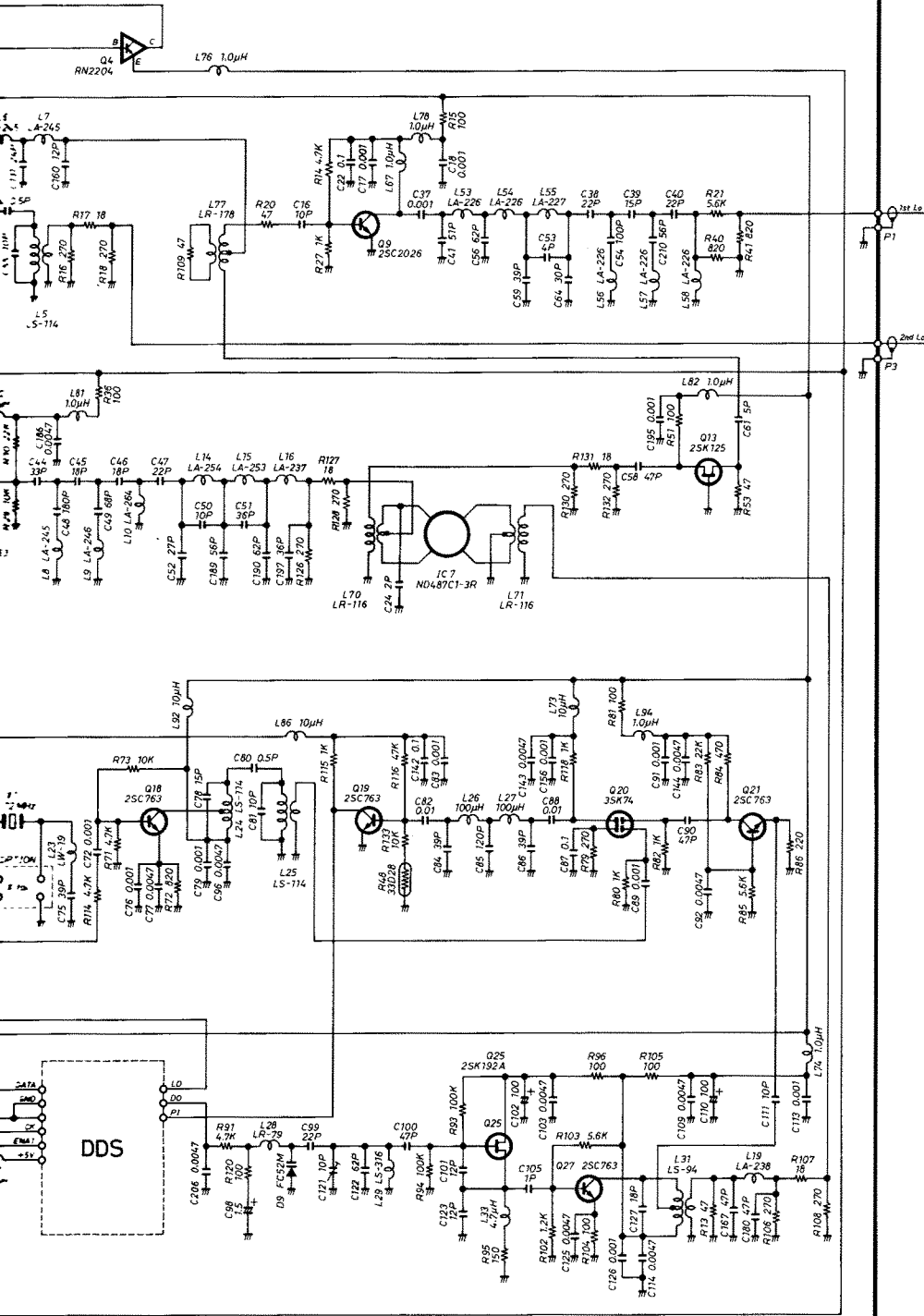
BT01RN1-A61

BT01RN1-A61

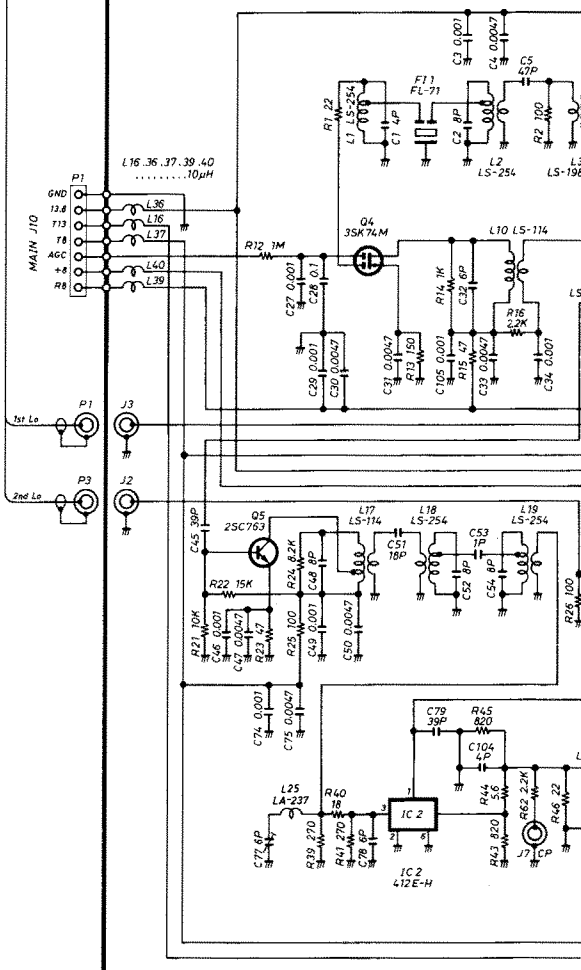
DD

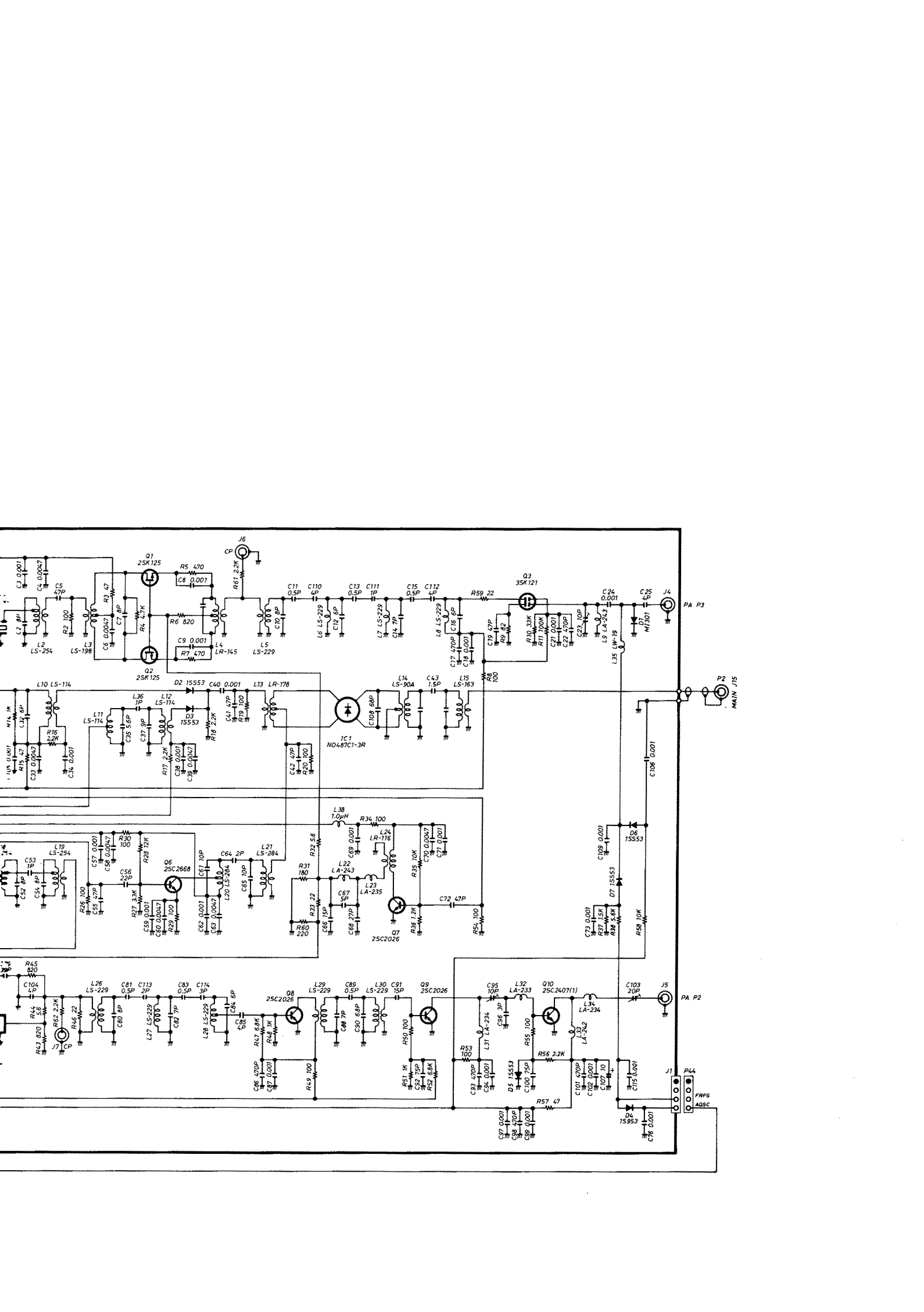


# PLL



# RF YGR







## ICOM INCORPORATED

1-6-19, Kamikuratsukuri, Hirano-ku, Osaka 547, Japan  
Phone: (06) 793-5301  
Fax : (06) 793-0013  
Telex : 05277822 ICOMTR J

**ICOM AMERICA, INC.**  
2380 116th Avenue N.E.,  
Bellevue, WA 98004  
Phone: (206) 454-8155  
Fax : (206) 454-1509  
Telex : 230-152210 ICOM AMER BVUE

3150 Premier Drive, Suite 126,  
Irving, TX 75063  
Phone: (214) 550-7525  
Fax : (214) 550-7423

1777 Phoenix Parkway, Suite 201,  
Atlanta, GA 30349  
Phone: (404) 991-6166  
Fax : (404) 991-6327

**ICOM CANADA, LTD.**  
3071-#5 Road, Unit 9,  
Richmond, B.C.,  
Canada V6X 2T4  
Phone: (604) 273-7400  
Fax : (604) 273-1900

**ICOM (EUROPE) GmbH**  
Himmelgeister Strasse 100,  
4000 Düsseldorf 1,  
West Germany  
Phone: 0211-346047  
Fax : 0211-333639  
Telex : 41-8588082 ICOM D

**ICOM AUSTRALIA, PTY., LTD.**  
7 Duke Street, Windsor 3181,  
Victoria, Australia  
Phone: (03) 529-7582  
Fax : (03) 529-8485  
Telex : 71-35521 ICOMAS

**ICOM FRANCE S.A.**  
BP-4063, 120 Route de Revel,  
31029 Toulouse CEDEX,  
France  
Phone: 61.20.31.49  
Fax : 61.34.05.91  
Telex : 521515 ICOMFRA

**ICOM (UK) LIMITED**  
Unit 9, Sea Street,  
Herne Bay, Kent, CT6 8LD  
England, U.K.  
Phone: (0227) 363859  
Fax : (0227) 360155  
Telex : 965179 ICOM G