

HF ALL BAND TRANSCEIVER
GENERAL COVERAGE RECEIVER

IC-751A

SERVICE MANUAL



ICOM INCORPORATED

1-6-19, Kamikuratsukuri, Hirano-ku, Osaka 547, Japan
Phone: (06) 793-5301
Telex: ICOM TR J63649

ICOM AMERICA, INC.,
2380 116th Avenue N.E.,
Bellevue, WA 98004
Phone: (206) 454-8155
Telex: 230-152210 ICOM AMER BVUE
Fax: (206) 454-1509

3150 Premier Dr., Suite 126,
Irving TX 75063
Phone: (214) 550-7525
Fax: (214) 550-7423

1777 Phoenix Parkway, Suite 201,
Atlanta, GA 30349
Phone: (404) 991-6166

ICOM CANADA, LTD.,
3071-#5 Road, Unit 9,
Richmond, B.C.,
V6X 2T4 Canada
Phone: (604) 273-7400
Fax: (604) 273-1900

ICOM (EUROPE) GmbH,
Himmelgeister Strasse 100,
4000 Düsseldorf 1,
West Germany
Phone: 0211-346047
Telex: 41-8588082 ICOM D
Fax: 0211-333639

ICOM AUSTRALIA, PTY., LTD.,
7 Duke Street, Windsor 3181,
Victoria, Australia
Phone: (03) 529-7582
Telex: 71-35521 ICOMAS
Fax: (03) 529-8485

FOREWORD

Thank you very much for selecting ICOM's versatile **IC-751A** HF transceiver, a refined version of the very popular IC-751.

Doubling as both a sophisticated HF multi-mode transceiver and all-purpose general coverage receiver, the **IC-751A** is the result of advanced HF engineering at ICOM and was designed to ensure years of reliable and satisfactory communications for the avid Amateur Radio enthusiast.



ASSISTANCE

The **IC-751A** was designed to be used all over the world, with some slight modifications made for its use in Australia and France. The Australia and France versions of the **IC-751A** are assigned model #03. This number should be referred to in these countries when assistance or information regarding the **IC-751A** is required. The assigned **IC-751A** model number for all other parts of the world is #02.

Feel free to contact your nearest authorized ICOM Dealer or ICOM Service Center if you require assistance or information regarding the operation or capabilities of your new **IC-751A**. Addresses are provided on the title page of this service manual.

TABLE OF CONTENTS

SECTION	1 SPECIFICATIONS	1 — 1 ~ 2
	1-1 GENERAL	1 — 1
	1-2 TRANSMITTER	1 — 1
	1-3 RECEIVER	1 — 2
SECTION	2 OUTSIDE AND INSIDE VIEWS	2 — 1 ~ 5
	2-1 FRONT PANEL	2 — 1
	2-2 DISPLAY	2 — 2
	2-3 TOP PANEL	2 — 2
	2-4 REAR PANEL	2 — 2
	2-5 MAIN UNIT	2 — 3
	2-6 LOGIC AND PLL UNITS	2 — 4
	2-7 RF UNIT	2 — 5
	2-8 PA UNIT	2 — 5
SECTION	3 BLOCK DIAGRAM	3 — 1
SECTION	4 CIRCUIT DESCRIPTION	4 — 1 ~ 20
	4-1 RECEIVER CIRCUITS	4 — 1
	4-2 TRANSMITTER CIRCUITS	4 — 4
	4-3 POWER SUPPLY CIRCUITS	4 — 8
	4-4 PLL CIRCUITS	4 — 8
	4-5 LOGIC UNIT	4 — 12
	4-6 DISPLAY UNIT	4 — 18
	4-7 OTHER CIRCUITS	4 — 19
SECTION	5 DISASSEMBLY AND ASSEMBLY DIAGRAMS	5 — 1 ~ 10
	5-1 FRAME DISASSEMBLY	5 — 1
	5-2 FRONT PANEL (1) DISASSEMBLY	5 — 2
	5-3 FRONT PANEL (2) DISASSEMBLY	5 — 3
	5-4 FRONT PANEL (3) DISASSEMBLY	5 — 4
	5-5 REAR PANEL DISASSEMBLY	5 — 5
	5-6 FRONT UNIT CONNECTOR ASSEMBLY	5 — 6
	5-7 MAIN UNIT CONNECTOR ASSEMBLY	5 — 7
	5-8 LOGIC AND PLL UNIT CONNECTOR ASSEMBLY	5 — 8
	5-9 RF UNIT CONNECTOR ASSEMBLY	5 — 9
	5-10 FILTER UNIT CONNECTOR ASSEMBLY	5 — 9
	5-11 REAR PANEL CONNECTOR ASSEMBLY	5 — 10
SECTION	6 MAINTENANCE AND ADJUSTMENT	6 — 1 ~ 9
	6-1 PREPARATION BEFORE SERVICING	6 — 1
	6-2 PLL ADJUSTMENT	6 — 2
	6-3 FREQUENCY ADJUSTMENT	6 — 3
	6-4 RECEIVER ADJUSTMENT	6 — 4
	6-5 TRANSMITTER ADJUSTMENT	6 — 6
SECTION	7 BOARD LAYOUTS	7 — 1 ~ 9
	7-1 FRONT AF UNIT	7 — 1
	7-2 FRONT MARKER UNIT	7 — 1
	7-3 FRONT MODE SWITCH UNIT	7 — 1
	7-4 MATRIX UNIT	7 — 2
	7-5 MATRIX SWITCH UNIT	7 — 2
	7-6 DISPLAY UNIT	7 — 3
	7-7 KEYS UNIT	7 — 3
	7-8 LOGIC UNIT	7 — 4
	7-9 MAIN UNIT	7 — 5
	7-10 PLL UNIT	7 — 5
	7-11 RF UNIT	7 — 6
	7-12 PA UNIT	7 — 7
	7-13 PA CONNECTOR UNIT	7 — 8
	7-14 PA CHOKE UNIT	7 — 8
	7-15 FILTER UNIT	7 — 9

SECTION	8 VOLTAGE/CIRCUIT DIAGRAMS	8-1 ~ 10
	8-1 MAIN UNIT	8-1
	8-2 PLL UNIT	8-2
	8-3 LOGIC UNIT	8-3
	8-4 RF UNIT	8-4
	8-5 MATRIX UNIT	8-5
	8-6 DISPLAY UNIT	8-6
	8-7 PA UNIT	8-7
	8-8 FILTER UNIT	8-8
	8-9 KEYS UNIT	8-9
	8-10 FRONT ENCODER UNITS	8-9
	8-11 FRONT UNIT WIRING DIAGRAM	8-10
SECTION	9 IC SPECIFICATIONS	9-1 ~ 6
	9-1 LINEAR ICs	9-1
	9-2 LOGIC ICs	9-2
SECTION	10 PARTS LIST	10-1 ~ 31
	10-1 EF UNIT	10-1
	10-2 FRONT UNIT	10-1
	10-3 DISPLAY UNIT	10-2
	10-4 LOGIC UNIT	10-4
	10-5 MATRIX UNIT	10-7
	10-6 PLL UNIT	10-9
	10-7 MAIN UNIT	10-12
	10-8 RF UNIT	10-23
	10-9 FILTER UNIT	10-27
	10-10 PA UNIT	10-29
	10-11 KEYS UNIT	10-31
	10-12 MUTE UNIT	10-31
SECTION	11 OPTIONS INSTALLATION	11-1 ~ 5
	11-1 OPTIONAL FILTERS	11-1
	11-2 OPTIONAL IC-PS35 INTERNAL POWER SUPPLY	11-2
	11-3 OPTIONAL IC-EX310 VOICE SYNTHESIZER UNIT	11-3
	11-4 OPTIONAL CR-64 HIGH-STABILITY CRYSTAL UNIT	11-3
	11-5 OPTIONAL UT-30 PROGRAMMABLE ENCODER UNIT	11-4

SCHEMATIC DIAGRAM

SECTION 1 SPECIFICATIONS

1 - 1 GENERAL

Number of semiconductors	:	Transistors	59
		(Australia, France:	61)
		FETs	23
		Diodes	336
		ICs (Includes CPU)	64
Frequency coverage	:	Ham Bands	
		1.8MHz ~ 2.0MHz	
		3.45MHz ~ 4.1MHz	
		6.95MHz ~ 7.5MHz	
		9.95MHz ~ 10.5MHz	
		13.95MHz ~ 14.5MHz	
		17.95MHz ~ 18.5MHz	
		20.95MHz ~ 21.5MHz	
		24.45MHz ~ 25.1MHz	
		27.95MHz ~ 30.0MHz	
		General Coverage (Receive Only)	
		0.1MHz ~ 30.0MHz	
Usable temperature range	:	-10°C ~ +60°C (+14°F ~ +140°F)	
Frequency control	:	CPU based 10Hz step digital PLL synthesizer.	
		Independent transmit/receive frequency.	
Frequency readout	:	6 digit 100Hz illuminated FIP.	
Frequency stability	:	Less than ±200Hz from 1 to 60 minutes after power ON.	
		Less than ±30Hz after 1 hour at 25°C.	
		Less than ±350Hz in the range of 0°C ~ +50°C.	
Power supply requirements	:	13.8V DC ±15% (negative ground), current drain 20A maximum at 200W input.	
		AC power supply is available for AC operation.	
Current drain (at 13.8V DC)	:	Transmitting	
		At 200 watts input	Approx. 20.0A
		Receiving	
		At maximum audio output	Approx. 1.8A
		Squelched	Approx. 1.5A
Antenna impedance	:	50 ohms unbalanced.	
Weight	:	8.5kg	
Dimensions	:	306(322)mm(W) x 115(120)mm x 355(385)mm(D)	
		Bracketed values include projections.	

1 - 2 TRANSMITTER

RF power	:	SSB (J3E) : 200 watts PEP input	
		CW (A1A) : 200 watts input	
		FM (F3E) : 200 watts input	
		RTTY (F1A) : 200 watts input	
		AM (A3E) : 50 watts output	
Emission modes	:	SSB (J3E) Upper and Lower sideband	
		CW (A1A)	
		FM (F3E)	
		RTTY (F1A)	
		AM (A3E)	
Harmonic emissions	:	More than 40dB below peak power output.	
Spurious emissions	:	More than 60dB below peak power output.	
		(Guaranteed for transmissions within the Amateur bands.)	
Carrier suppression	:	More than 40dB below peak power output.	
Unwanted sideband	:	More than 55dB down with 1000Hz AF input.	
Microphone	:	Impedance 600 ohms	
		Input level 12 millivolts typical	
		Dynamic or electret condenser microphone.	
ΔTX variable range	:	±9.9kHz	

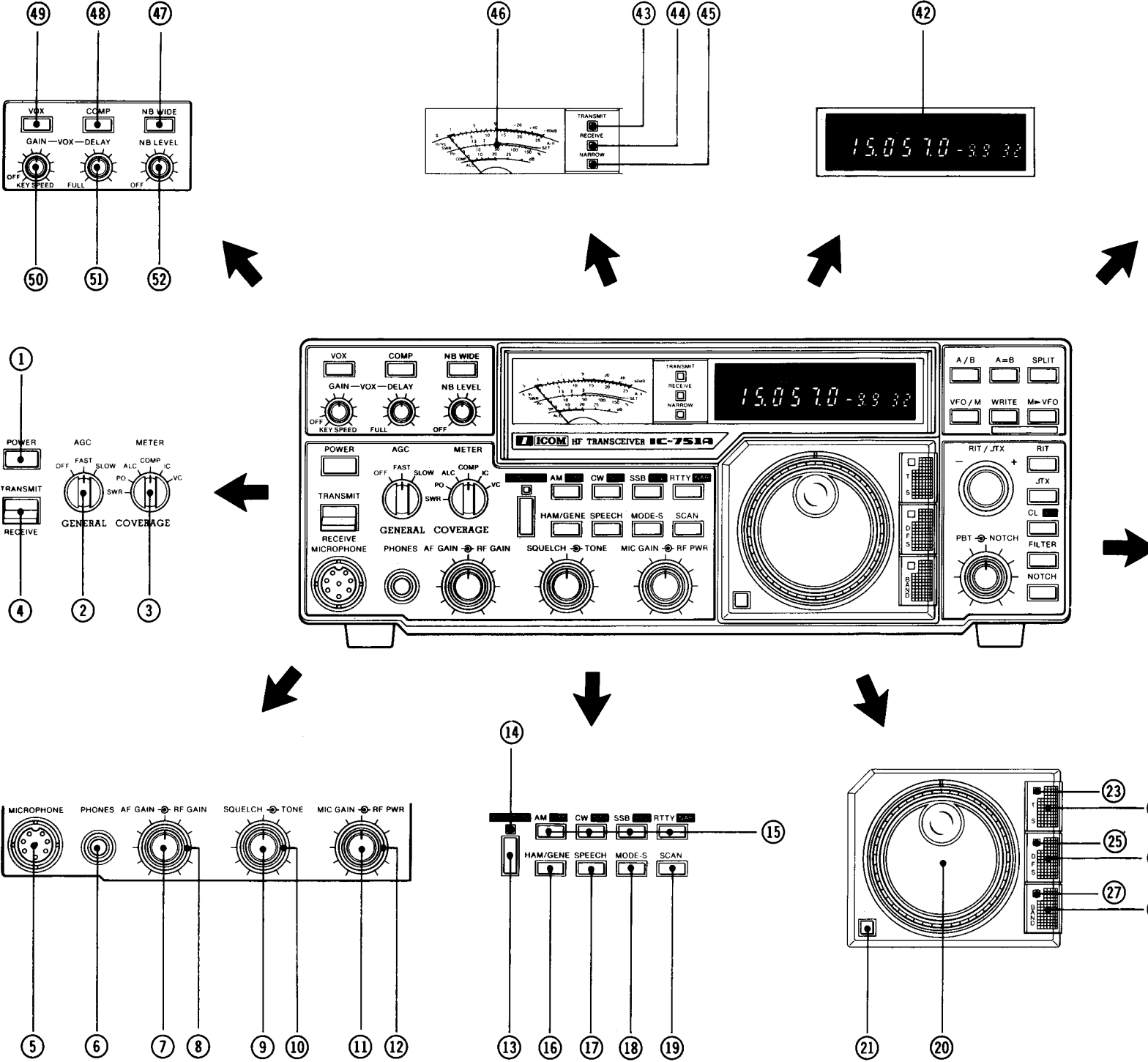
1 - 3 RECEIVER

Receive system	: SSB, CW, RTTY, AM Quadruple-conversion superheterodyne with continuous bandwidth control.
	FM Triple-conversion superheterodyne.
Receive modes	: SSB (J3E) Upper and Lower sideband CW (A1A) FM (F3E) RTTY (F1A) AM (A3E)
Intermediate frequencies	: 1st: All modes 70.4515MHz 2nd: SSB 9.0115MHz CW, RTTY 9.0106MHz FM, AM 9.0100MHz 3rd: All modes 455kHz 4th: SSB 9.0115MHz CW, RTTY 9.0106MHz AM 9.0100MHz
Sensitivity (PREAMP ON)	: SSB, CW, RTTY 0.1 ~ 0.5MHz Less than 0.5 μ V for 10dB S/N 0.5 ~ 1.6MHz Less than 1 μ V for 10dB S/N 1.6 ~ 30.0MHz Less than 0.15 μ V for 10dB S/N AM (NARROW FILTER selected) 0.1 ~ 0.5MHz Less than 3 μ V for 10dB S/N 0.5 ~ 1.6MHz Less than 6 μ V for 10dB S/N 1.6 ~ 30.0MHz Less than 1 μ V for 10dB S/N FM 28 ~ 30MHz Less than 0.3 μ V for 12dB SINAD
Squelch sensitivity	: 1.6 ~ 30MHz Less than 0.3 μ V
Selectivity	: SSB, CW, RTTY (WIDE FILTER selected), AM (NARROW) 2.3kHz at -6dB point 3.8kHz at -60dB point CW, RTTY 500Hz at -6dB point 1.3kHz at -60dB point FM 15kHz at -6dB point 30kHz at -50dB point AM (WIDE FILTER selected) 8kHz at -6dB point 18kHz at -50dB point
Spurious and image response rejection	: Image rejection More than 80dB IF rejection More than 70dB
Audio output	: More than 2.6 watts at 10% distortion with 8 ohm load.
Notch filter attenuation	: More than 45dB
RIT variable range	: \pm 9.9kHz

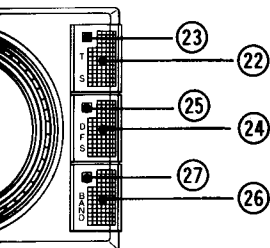
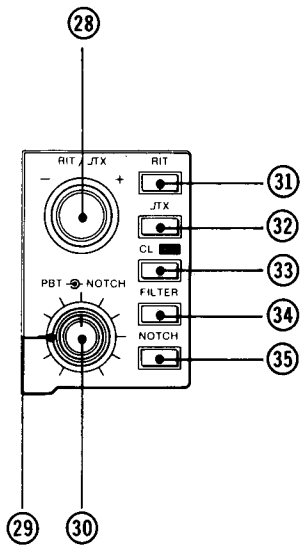
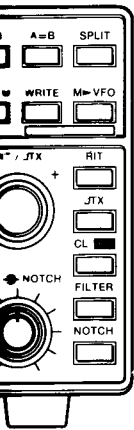
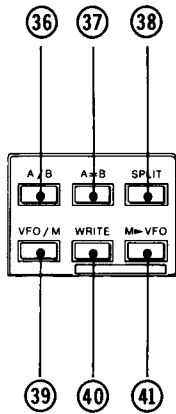
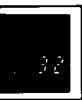
SECTION 2 OUTSIDE AND INSIDE VIEWS

2-1 FRONT PANEL

See SECTION 2-2 for frequency display.



for



- ① POWER SWITCH
- ② AUTOMATIC GAIN CONTROL SWITCH [AGC]
- ③ METER SWITCH
- ④ TRANSMIT/RECEIVE SWITCH

- ⑤ MIC CONNECTOR [MICROPHONE]
- ⑥ PHONES JACK
- ⑦ AF GAIN CONTROL
- ⑧ RF GAIN CONTROL
- ⑨ SQUELCH CONTROL
- ⑩ TONE CONTROL
- ⑪ MIC GAIN CONTROL
- ⑫ RF POWER CONTROL [RF PWR]

- ⑬ FUNCTION SWITCH
- ⑭ FUNCTION INDICATOR
- ⑮ MODE SWITCHES
- ⑯ HAM BAND/GENERAL COVERAGE SWITCH [HAM/GENE]
- ⑰ SPEECH SWITCH
- ⑱ MODE SCAN SWITCH [MODE-S]
- ⑲ SCAN START/STOP SWITCH [SCAN]

- ⑳ TUNING CONTROL
- ㉑ DIAL LOCK SWITCH
- ㉒ TUNING SPEED SWITCH [TS]
- ㉓ TS INDICATOR
- ㉔ DIAL FUNCTION SELECT SWITCH [DFS]
- ㉕ DFS INDICATOR
- ㉖ BAND SELECT SWITCH [BAND]
- ㉗ BAND SELECT INDICATOR

- ㉘ INCREMENTAL TUNING CONTROL [RIT/ΔTX]
- ㉙ PASSBAND TUNING CONTROL [PBT]
- ㉚ NOTCH FILTER CONTROL [NOTCH]
- ㉛ RIT SWITCH
- ㉜ ΔTX SWITCH
- ㉝ RIT/ΔTX CLEAR SWITCH [CL]
- ㉞ FILTER SWITCH
- ㉟ NOTCH FILTER SWITCH

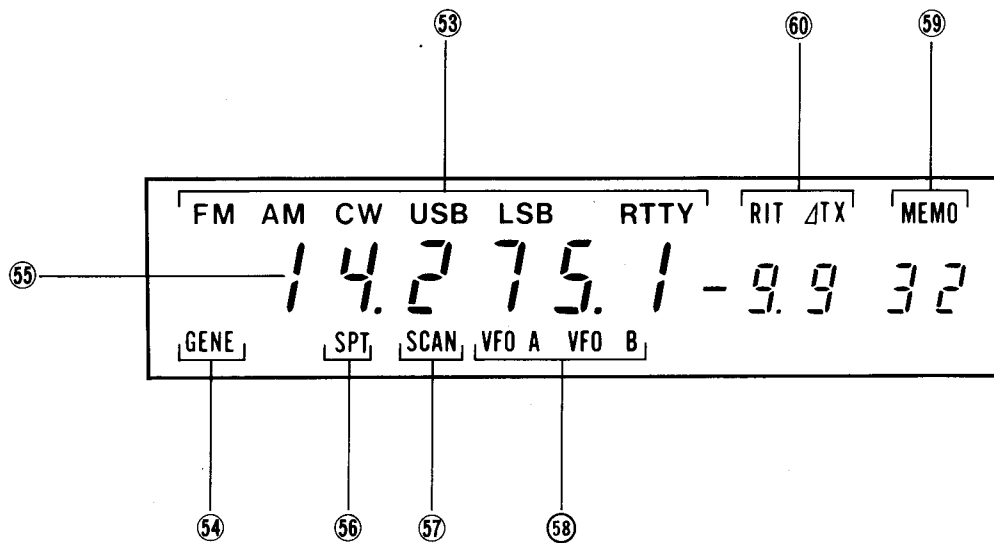
- ㊱ VFO A/B SWITCH [A/B]
- ㊲ VFO EQUALIZING SWITCH [A=B]
- ㊳ SPLIT SWITCH
- ㊴ VFO MEMORY SWITCH [VFO/M]
- ㊵ MEMORY WRITE SWITCH [WRITE]
- ㊶ FREQUENCY TRANSFER SWITCH [M▶VFO]

- ㊷ FREQUENCY DISPLAY

- ㊸ TRANSMIT INDICATOR
- ㊹ RECEIVE INDICATOR
- ㊺ NARROW FILTER INDICATOR [NARROW]
- ㊻ MULTIFUNCTION METER

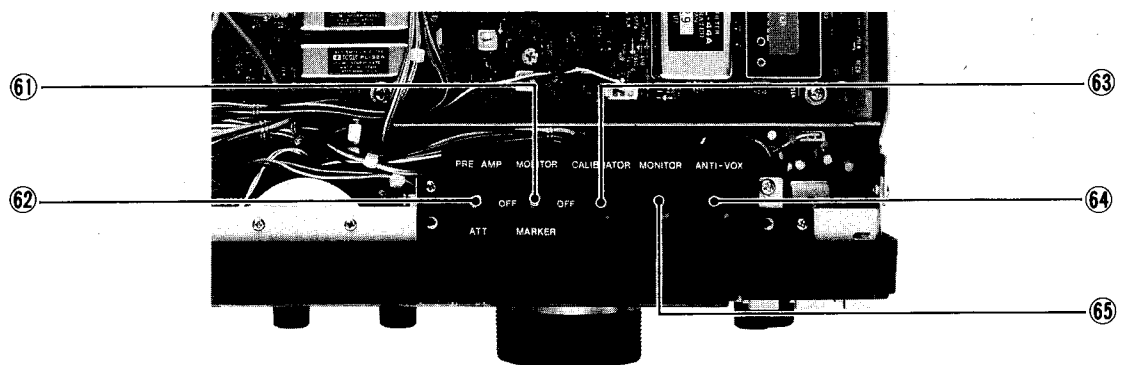
- ㊼ NOISE BLANKER TIMING SWITCH [NB WIDE]
- ㊽ SPEECH COMPRESSOR SWITCH [COMP]
- ㊾ VOX SWITCH
- ㊿ VOX GAIN CONTROL
- ① VOX DELAY CONTROL
- ② NOISE BLANKER LEVEL CONTROL [NB LEVEL]

2 - 2 DISPLAY



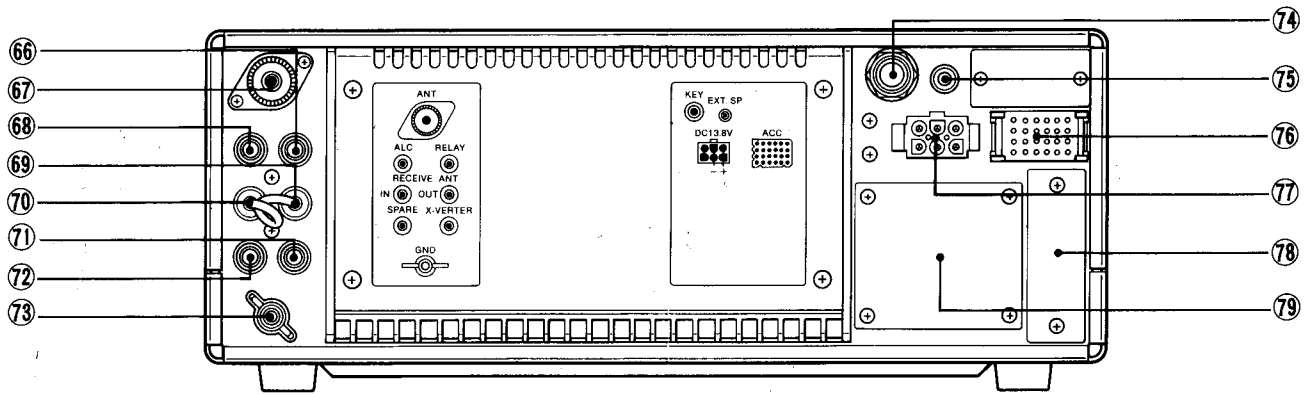
- | | |
|-------------------------------|------------------------------|
| ⑤③ MODE INDICATOR | ⑤⑦ SCAN INDICATOR |
| ⑤④ GENERAL COVERAGE INDICATOR | ⑤⑧ VFO INDICATOR |
| ⑤⑤ FREQUENCY READOUT | ⑤⑨ MEMORY INDICATOR |
| ⑤⑥ SPLIT INDICATOR | ⑥① SHIFT FREQUENCY INDICATOR |

2 - 3 TOP PANEL



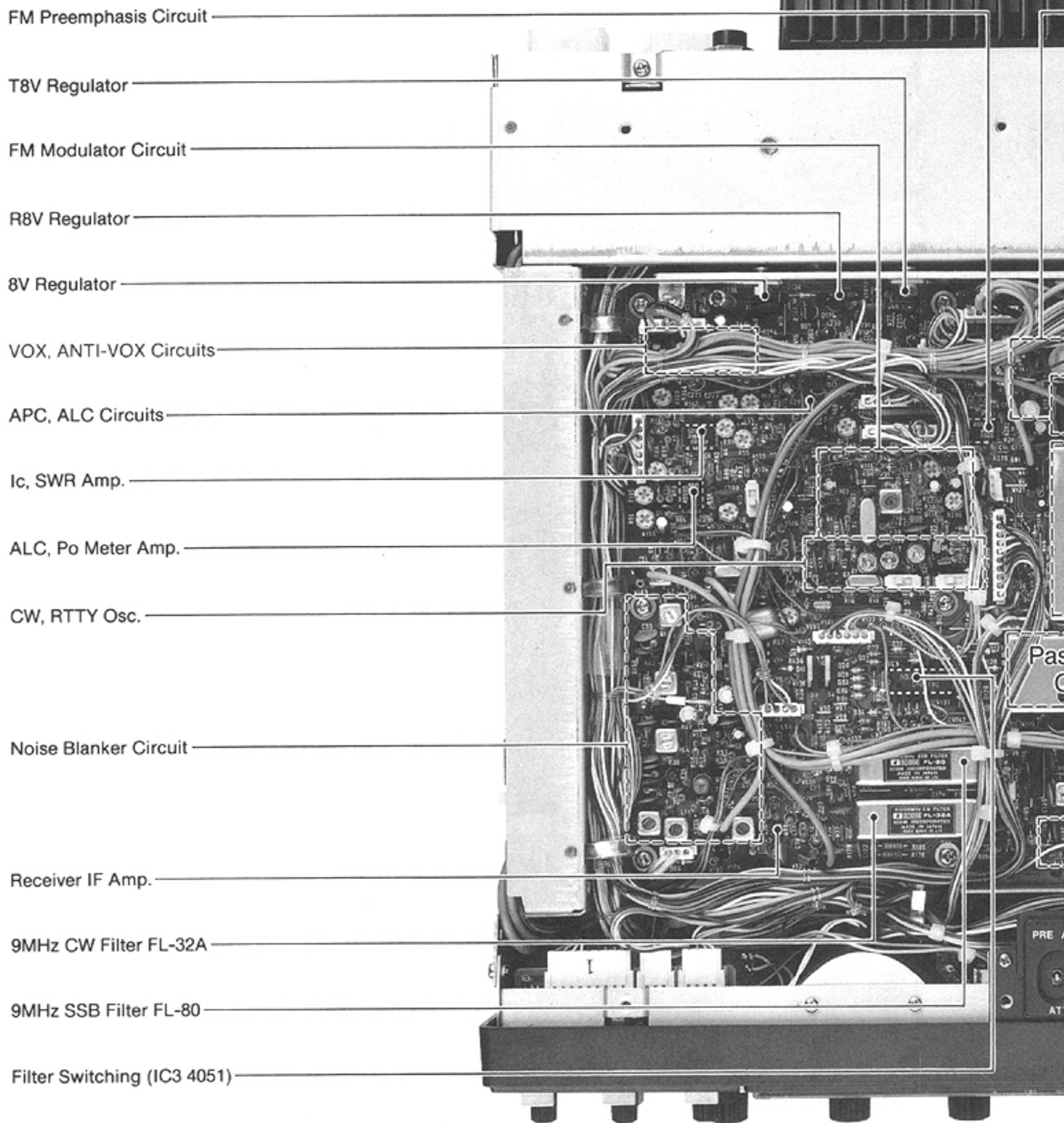
- ⑥① MONITOR/MARKER SWITCH
- ⑥② PREAMP/ATT (ATTENUATOR) SWITCH
- ⑥③ MARKER CALIBRATOR CONTROL
- ⑥④ ANTI-VOX CONTROL
- ⑥⑤ MONITOR LEVEL CONTROL

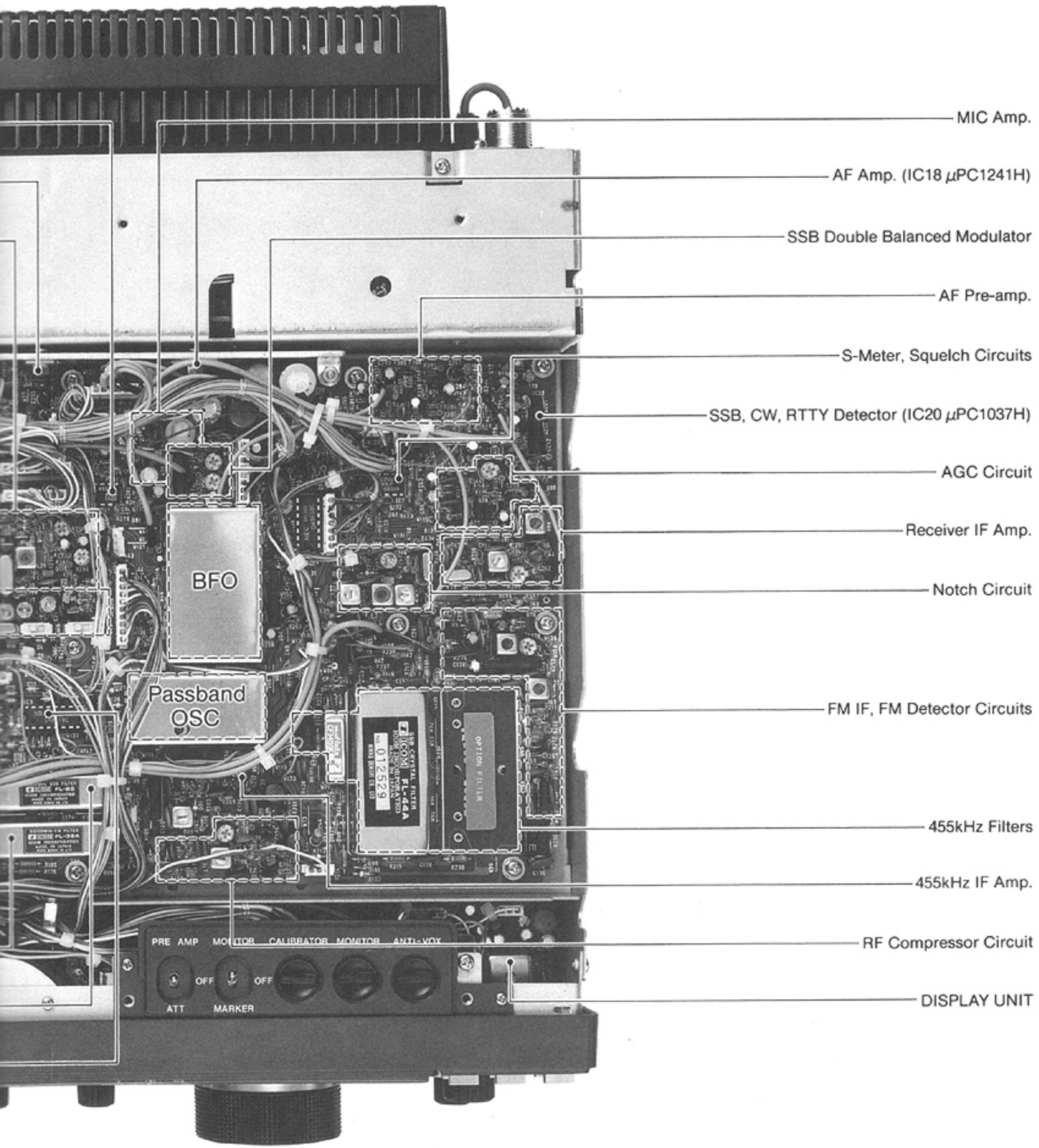
2 - 4 REAR PANEL



- ⑥⑥ T/R CONTROL JACK [RELAY]
- ⑥⑦ ANTENNA CONNECTOR
- ⑥⑧ EXTERNAL ALC JACK [ALC]
- ⑥⑨ RECEIVE ANTENNA OUTPUT [RECEIVE ANT OUT]
- ⑦⑦⑦ RECEIVER INPUT [RECEIVE ANT IN]
- ⑦① TRANSVERTER JACK [X-VERTER]
- ⑦② SPARE JACK
- ⑦③ GROUND TERMINAL

- ⑦④ KEY JACK
- ⑦⑤ EXTERNAL SPEAKER JACK
- ⑦⑥ ACCESSORY SOCKET
- ⑦⑦ DC POWER SOCKET [DC 13.8V]
- ⑦⑧ IC-EX309 (OPTIONAL) INTERFACE UNIT CONNECTOR POSITION
- ⑦⑨ IC-PS35 (OPTIONAL) AC POWER SUPPLY SOCKET POSITION





MIC Amp.

AF Amp. (IC18 μ PC1241H)

SSB Double Balanced Modulator

AF Pre-amp.

S-Meter, Squelch Circuits

SSB, CW, RTTY Detector (IC20 μ PC1037H)

AGC Circuit

Receiver IF Amp.

Notch Circuit

FM IF, FM Detector Circuits

455kHz Filters

455kHz IF Amp.

RF Compressor Circuit

DISPLAY UNIT

BFO

Passband
OSC

588 CRYSTAL FILTER
FL-44A
012529

OPTION FILTER

PRE AMP MONITOR CALIBRATOR MONITOR ANTI-VOY

OFF OFF
ATT MARKER

LOGIC UNIT

Data Output for RF BPF

I/O Expander (IC14 M50780SP)

Data Output for TX LPF

Keyer Unit Weight Control (R8)

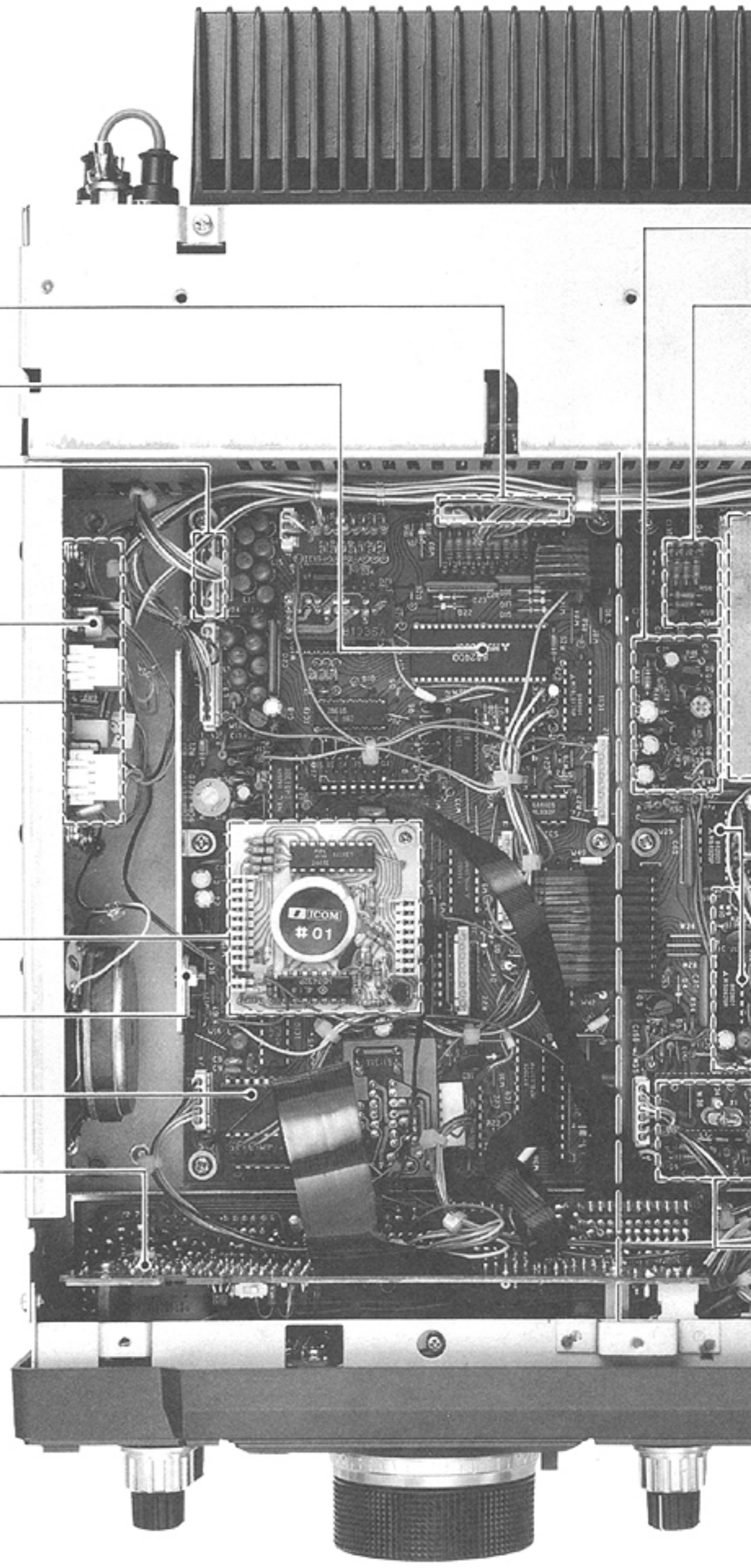
KEYER Unit

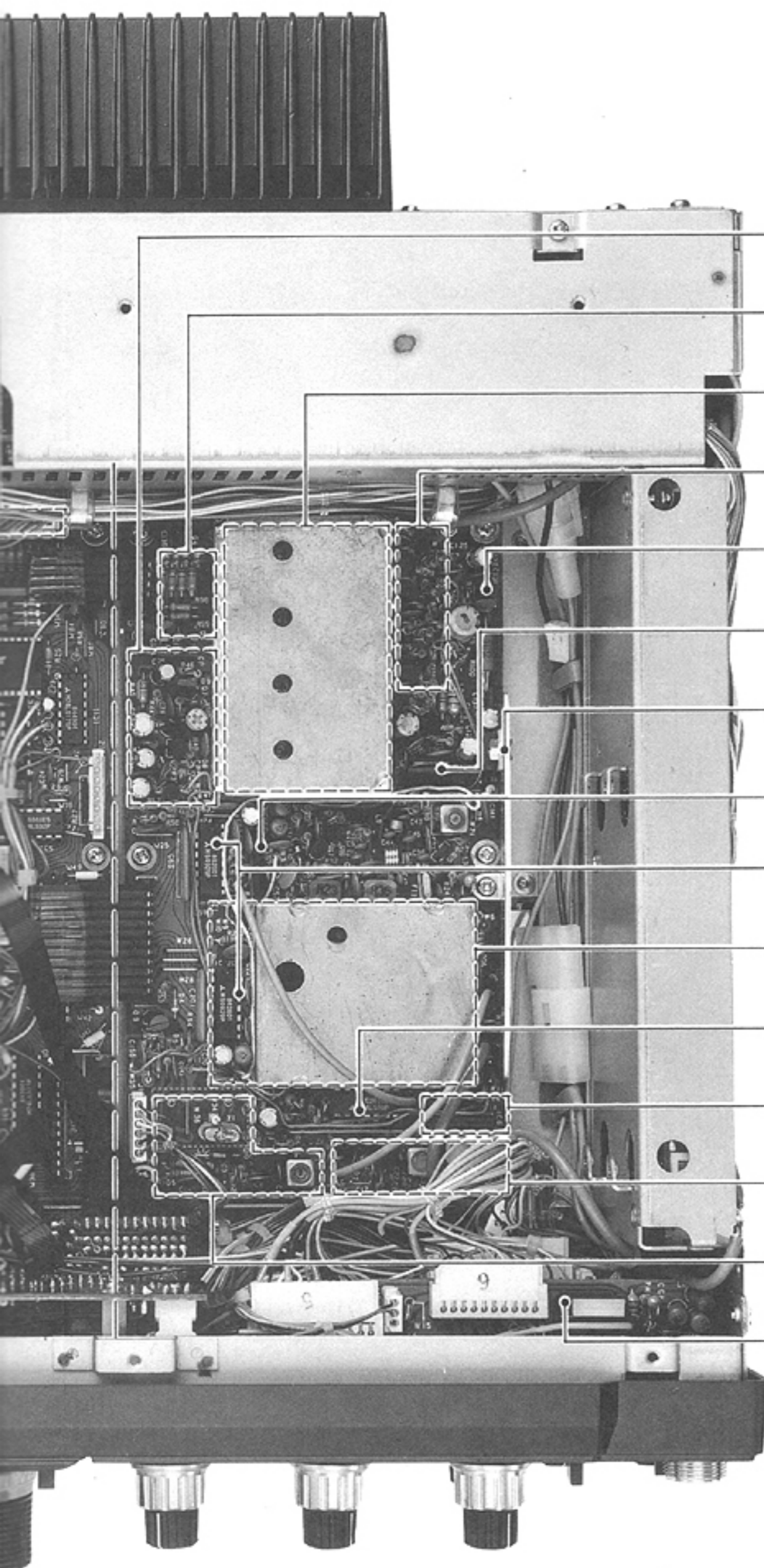
RAM Unit
(CPU is underneath the RAM Unit)

5V Regulator (IC1 μ A7805)

Custom LSI (IC2 RP5G01-007)

MATRIX UNIT





PLL UNIT

- Loop Filter
- VCO Switching Circuit
- VCO Circuit
- 1st LO Amp.
- 8V Regulator (IC7 TA78L008AP)
- PLL Mixer (IC3 μ PC1037H)
- 5V Regulator (IC8 μ A7805)
- Prescaler (IC1, IC202 M54466L)
- PLL IC Chip (IC201 M54929)
- LPL Circuit
- PLL Divider (IC203 SN74LS90N)
- Divider for MARKER (IC6 TC5082P-GL)
- 2nd LO Amp.
- PLL Reference Divider
- AF VR UNIT

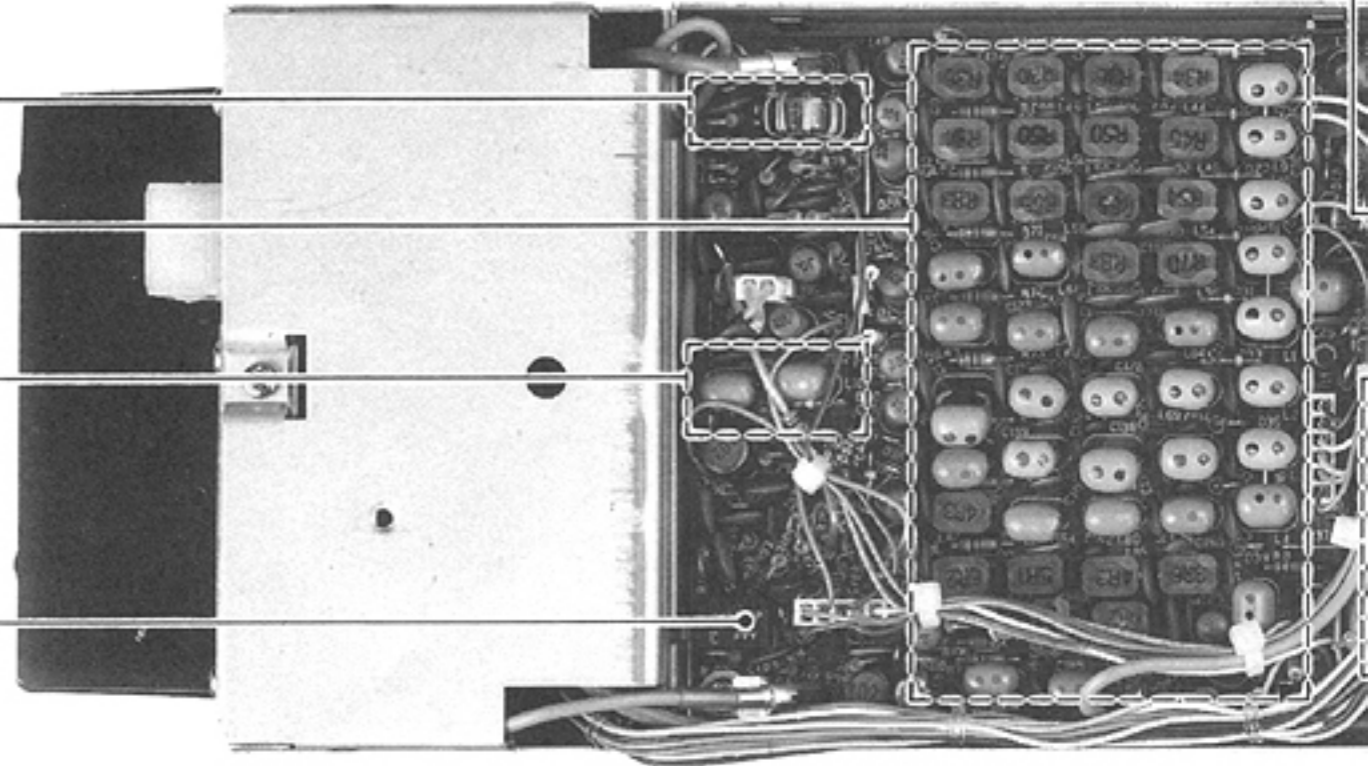
2 - 7 RF UNIT

Transmitter Pre-Amp.

BPF

HPF

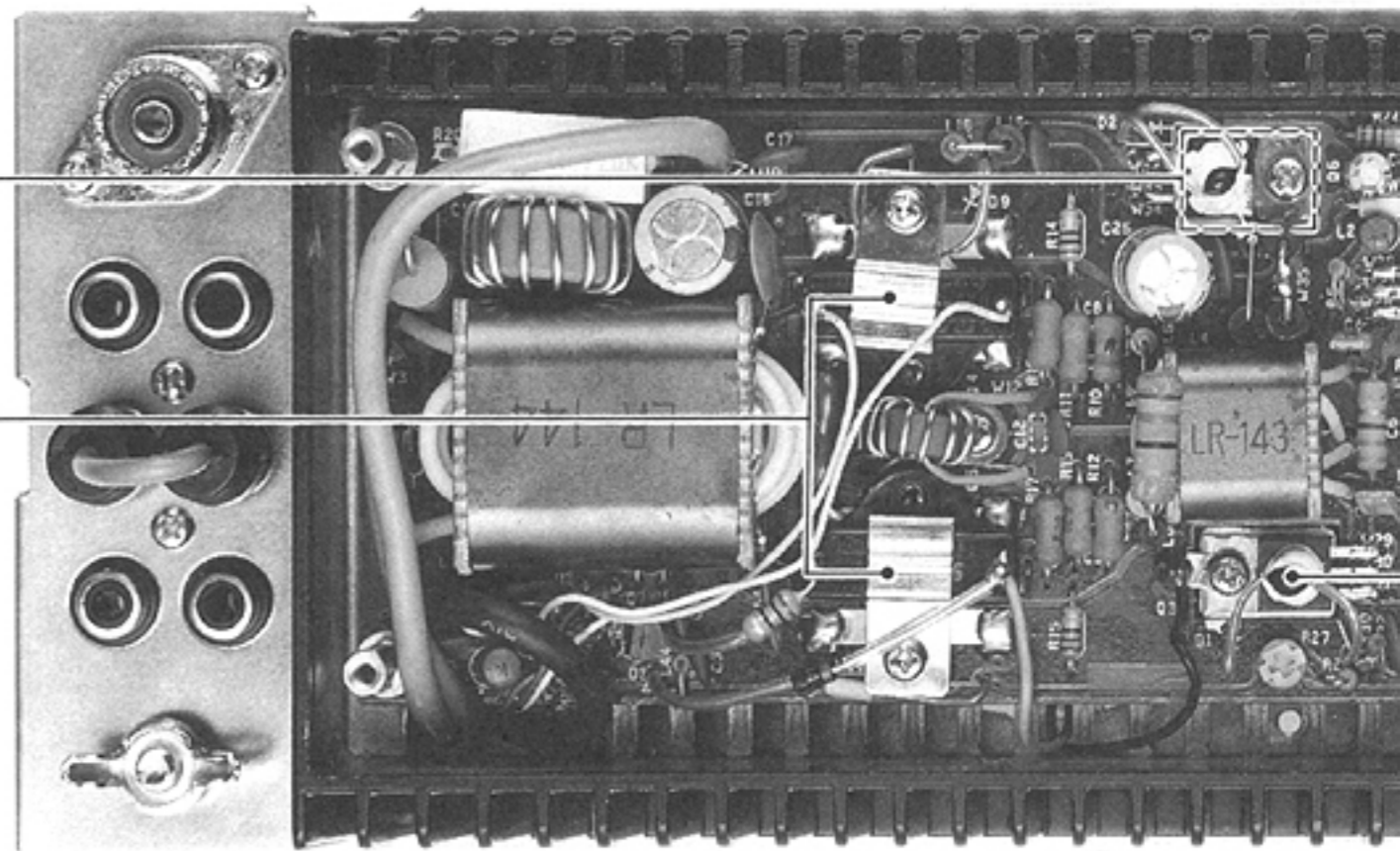
ATT Switching Relay

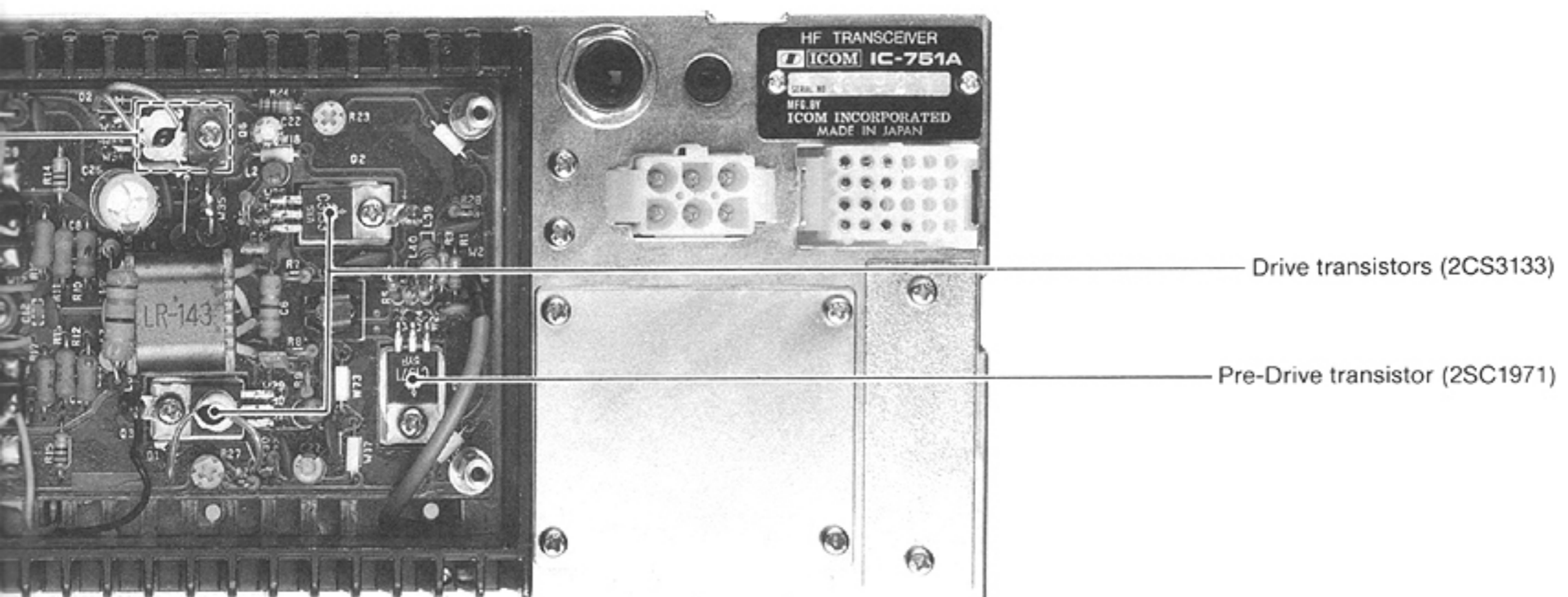
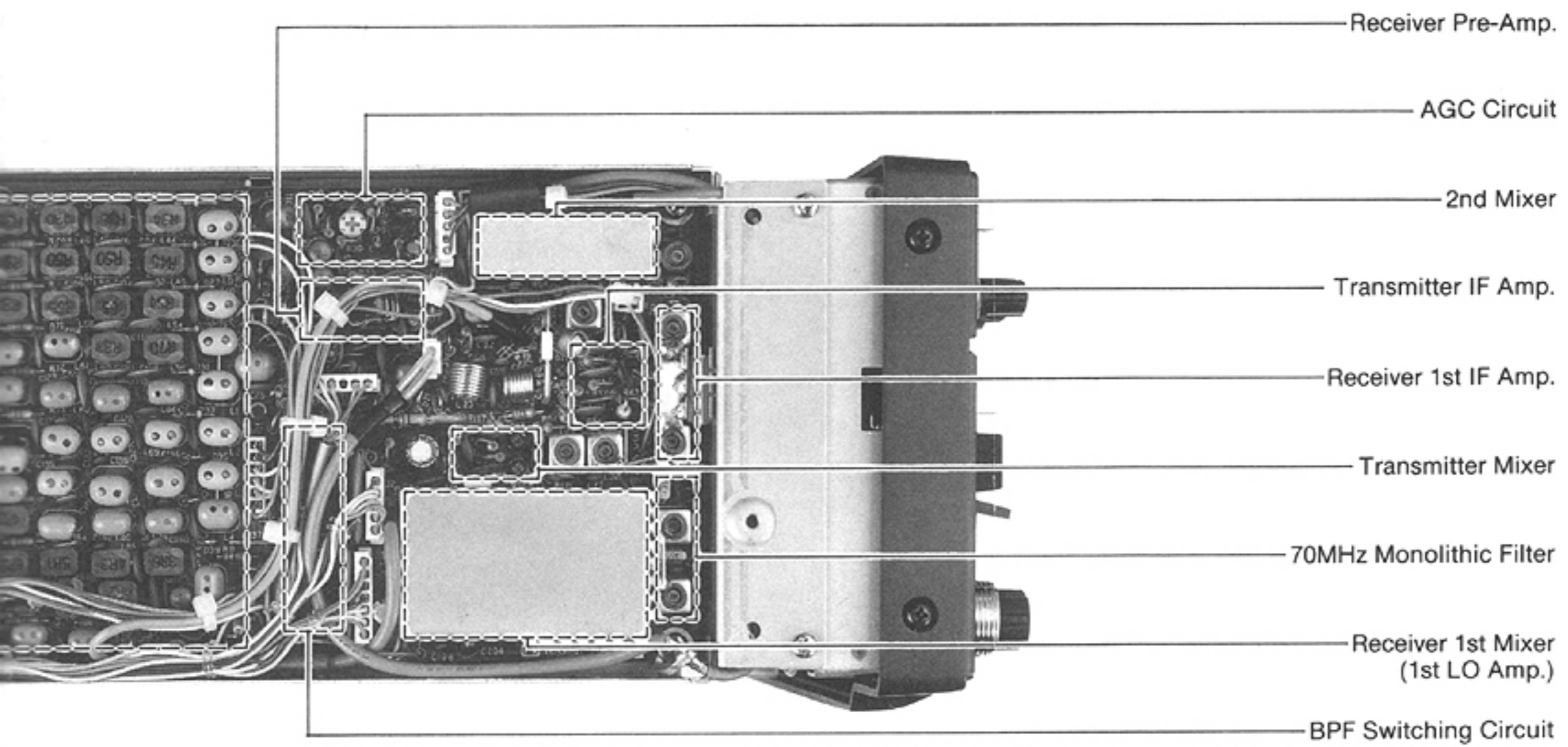


2 - 8 PA UNIT

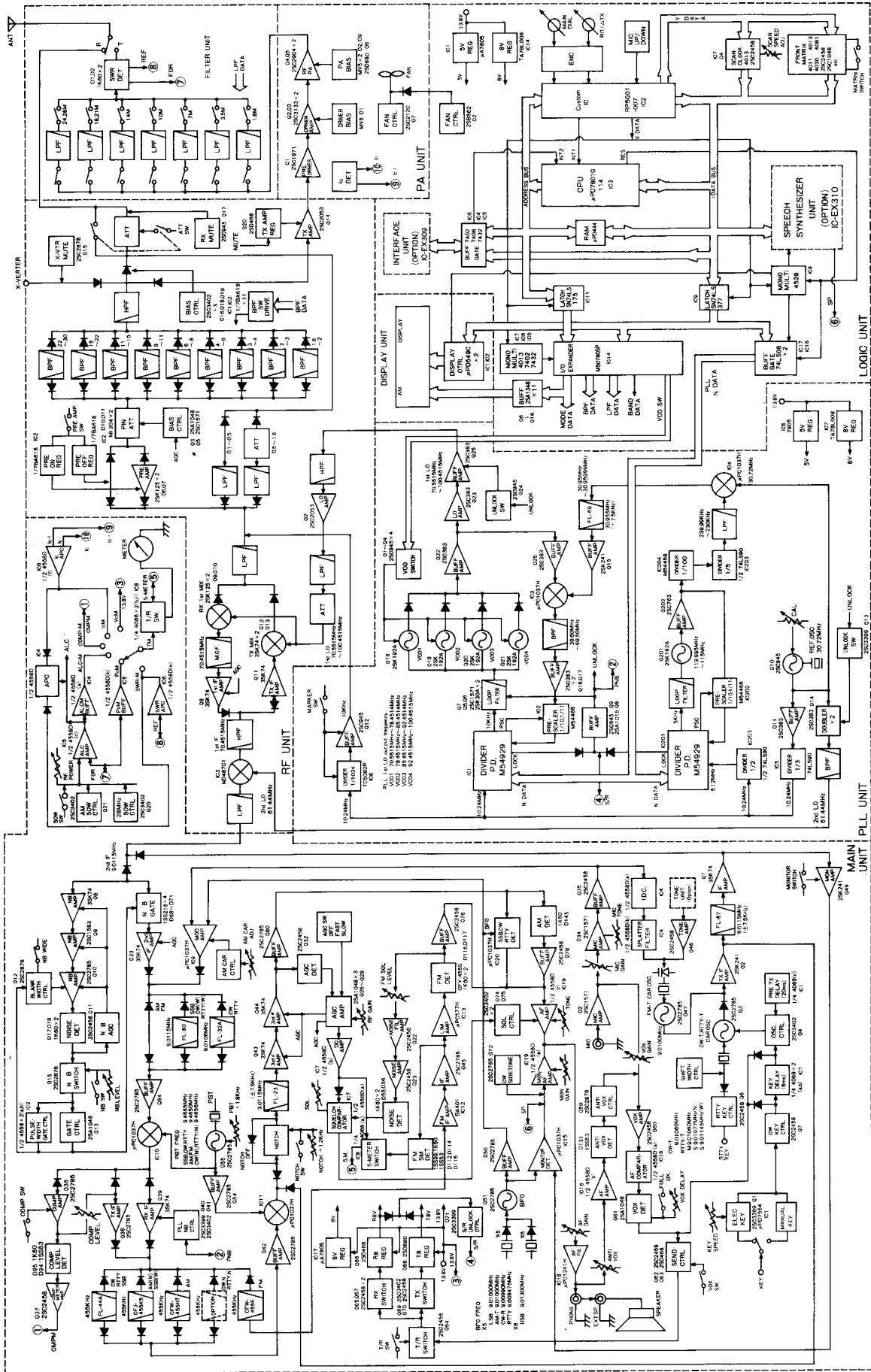
Idling current control (2SD880)

Final transistors (2SC2904) are located under these thermal switches.





SECTION 3 BLOCK DIAGRAM



SECTION 4 CIRCUIT DESCRIPTION

4 - 1 RECEIVER CIRCUITS

4 - 1 - 1 RF CIRCUITS (RF AND CONNECTOR UNITS)

Receive signals from the antenna connector are fed into J10 on the RF UNIT when D4 and RL1 on the CONNECTOR UNIT are respectively turned OFF and ON. A reed relay is used for RL1 to provide full break-in operation. The T/R switching time of this relay is less than one millisecond, compared to more than 12 milliseconds with a regular relay.

Incoming signals to the RF UNIT pass through an L-type attenuator which consists of R92, R93, and R119. Signals are attenuated at 20dB when the [PREAMP ATT] SWITCH is set in the [ATT] position. Incoming signals are fed into one of three different circuits depending on the receive frequency range.

- (1) 100~500kHz : Signals are fed through a low-pass filter by D44.
- (2) 500~1600kHz : Signals are fed by D42 into a 10dB attenuator and low-pass filter to attenuate strong signals from AM broadcasting stations.
- (3) More than 1600kHz : Signals are fed by D47 into a high-pass filter consisting of L101, L102, and C180 C182. This filter attenuates strong radio signals in the BC band. The signals are then passed into one of nine bandpass filters depending on the frequency of the signal.

Filtered signals are fed into an L-type attenuator which consists of R28 and PIN diodes D10 and D11 which are controlled by AGC bias voltage from Q3, Q4, and Q5. D10 and D11 are linear diodes which are similar to RF variable resistors, depending on current flow when no signal is being received. The voltage of the AGC line from the MAIN UNIT is approximately 4V at this time and the emitter voltage of Q5 is approximately 2.8V. Therefore approximately 15mA flows through D11. This AGC voltage turns OFF Q3 and approximately 0.7V are generated by R32.

The AGC circuit operates when signals are received, lowering Q5. The current flow of D11 is therefore reduced, making resistance higher. Q3 then turns ON and allows the current to flow through D10, lowering resistance. This voltage function in the circuit provides variable attenuation to a maximum of 10dB.

When the [PREAMP ATT] SWITCH is in the [PREAMP] position, signals from the attenuator are fed into a broad-band amplifier which consists of Q6 and Q7. Gain from this amplifier is approximately 10dB. If the [PREAMP ATT] SWITCH is turned OFF or is in the [PREAMP] position, signals bypass this amplifier through D12 and D13.

Signals are fed through one of two filters depending on whether their frequencies are greater or less than 1600kHz. Signals are then passed through a low-pass filter which improves image rejection characteristics and reduces spurious emissions from the ANTENNA CONNECTOR via the local oscillator. Signals are fed into the 1st mixer through T/R Switching Diode D20.

BPF switching voltage is obtained via IC1 and IC2 through the decoding of band signals B1~B11 from the LOGIC UNIT. ON and OFF switching voltages are provided by IC2. R13V is emitted from an OR gate which consists of D5 and D6. Immediate release of this control voltage is provided by D1 and D2 when switching to transmit mode.

L-TYPE ATTENUATOR CIRCUIT

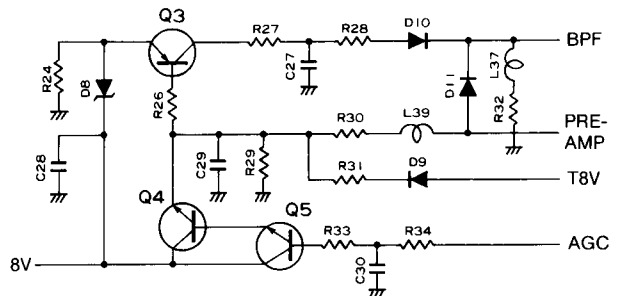


Fig. 1

4 - 1 - 2 IF CIRCUITS

1. RF UNIT

Q9 and Q10 create a double-balanced mixer which uses low-noise FETs (2SK125) and is driven by 13.8V to provide an excellent noise figure. Multi-signal receiving characteristics are determined by the 1st mixer circuit. The double-balanced mixer has a high interception point and reduces spurious characteristics in signals. The IC-751A has a very high dynamic range (100dB in SSB mode and 104~105dB in CW mode) and uses a mixer with a high intercept point figure. The [ATT] SWITCH position is effective for strong receive signals with 20dB attenuation. The [PREAMP] SWITCH position is more effective with weaker signals since PREAMP provides an excellent noise figure and amplification, and increases the receive sensitivity by approximately 6dB.

TWO SIGNAL RECEIVE CHARACTERISTICS

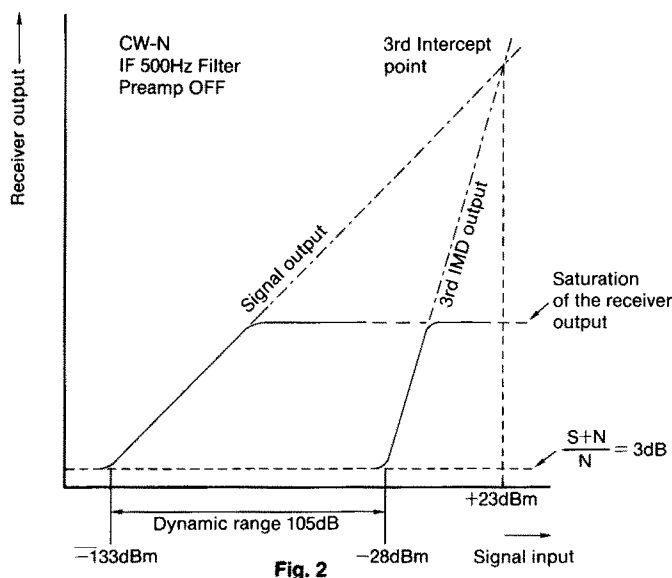


Fig. 2

The 1st mixer circuit is an upconverter which converts receive signals into 70.4515MHz 1st IF signals.

The 1st LO output signal from the PLL UNIT is fed through a high-pass filter, amplified by Q2, filtered by a low-pass filter, and then is applied to the 1st mixer as a local oscillator signal (70.5515~100.4515MHz). R18, L13, and C14 are designed as feedback functions to improve the frequency characteristics of Q2.

The 1st IF signal is filtered by a monolithic crystal filter (F1, $\pm 7.5\text{kHz}/-3\text{dB}$) and then is amplified by a dual-gate FET (Q8), the 2nd gate of which is controlled by the AGC voltage.

Signals are fed through T/R Switching Diode D19 and a high-pass filter to the 2nd IF mixer of Double-Balanced Mixer IC3 where the signals are converted into 9.0115MHz 2nd IF signals. The signals are then filtered in order to have local oscillation components removed by a low-pass filter before being fed to the MAIN UNIT through P3.

2nd LO signals (61.44MHz) from the PLL UNIT are fed to IC3 as local oscillator signals for the 2nd mixer.

2. MAIN UNIT

9MHz 2nd IF signals from J4 pass through Q33, a noise-blanker gate and amplifier. After being amplified at Q33, signals are fed through a filter select switch circuit and into a 9MHz IF filter.

Noise blanker gate D68~D71 is a diode balanced-type switch circuit which passes signals through it. Signals are cut by this gate when control voltage from the noise blanker circuit is applied to D72.

Mode switches and the [FILTER] SWITCH on the front panel send signals into the circuit which select a 9MHz IF circuit section consisting of F12 and F18.

Filtered signals amplified at Q84 are fed into the 3rd mixer, IC10. 9.4665MHz (\pm SHIFT frequency) signals are supplied as local oscillator signals from Q55 to IC10 (pin 7) in order to obtain 455kHz 3rd IF signals. 3rd IF signals are buffer amplified at Q39 and fed into the 455kHz filter section of the

circuit. The 455kHz section consists of F13~F16 and an optional narrow filter (in CW and RTTY modes). 3rd IF signals are selected as in the 9MHz section.

Signals from the 455kHz filter are converted to 9MHz again by IC11, the 4th mixer. When the transceiver is in FM mode, output from F16 (the FM filter) is applied to the FM receive circuit. 9MHz-converted signals pass through the notch circuit and are amplified at Q43 and Q44 before being fed into the detector and APC circuits.

4 - 1 - 3 FILTER SECTION (MAIN UNIT)

The IC-751A has two filter sections (9MHz and 455kHz) for passband tuning and high selectivity.

The 9MHz filter section consists of a through circuit in AM and FM modes, F12 in SSB, CW, and RTTY modes, and F18 in CW Narrow and RTTY Narrow modes. 9MHz 3rd IF frequencies are 9.0115MHz in SSB mode, 9.0100MHz in AM and FM modes, and 9.00106MHz in CW and RTTY modes.

The 455kHz filter section consists of F13, F14, F15, and F16. These filters consist of several other filters which are listed below.

- F13 : Contains an SSB High Shape Factor Filter, an SSB Filter, a CW Filter, and an RTTY Filter.
- F14 : Contains an SSB Wide and RTTY Narrow Filter.
- F15 : Contains an AM Filter.
- F16 : Contains an FM Filter and optional CW Narrow and RTTY Narrow Filters.

The above filters are selected by control signals from the filter switching circuit using the switch circuit. Refer to SECTION 4-2-19 FILTER SWITCHING CIRCUIT for more information regarding filters and a combination of filter switches or modes.

4 - 1 - 4 NOISE BLANKER CIRCUIT

A portion of 2nd IF signals from the RF UNIT is fed into a noise amplifier circuit consisting of Q8, Q9, and Q10. This circuit has high gain and a wide AGC dynamic range. It amplifies weak signals, giving them higher sensitivity with a wider dynamic range.

Amplified signals from Q10 are detected by D17 and D18, and are then fed into Q11 (the noise AGC) and Q13 and Q15 (noise switches). The bias voltage of Q8, Q9, and Q10 is decreased by Q11 to control the gain of the noise amplifier. This noise AGC has a time constant determined by R46, R47, and C31, and functions as an average-type AGC circuit. The AGC therefore responds to SSB signals such as those without sharp leading edges or those that are constant-amplituded. Rectified voltage of the noise AGC is constant. However, rectified voltage will exceed the threshold level of the determined voltage when noise with a sharp leading edge is received.

Q15 controls the gate control circuit when the rectified voltage exceeds the threshold level. The threshold level is controlled by the NOISE BLANKER [NB] CONTROL on the

front panel which alters the emitter voltage of Q15. Q12, the noise blanker gate, closes when noise is received. Q15 then turns ON with the rectified voltage.

The noise blanker circuit contains a delayed pulse-width circuit which consists of a Miller integrator and a comparator. The output signals from this circuit combine with an output signal from Q13 and the combined signal is used for controlling the noise gate circuit. This allows the noise blanker circuit to blank wide-width pulse noise called woodpecker noise. When the NOISE BLANKER TIMING SWITCH is set at the [WIDE] position, the noise blanker does not function with pulse noise which is less than 1 millisecond of pulse width.

Q12 controls the blanking time and prevents blanking for more than 1 to 2 milliseconds and 10 milliseconds when the [NORMAL] and [WIDE] positions are selected, respectively. This results in a distortion-free audio signal. The limits of blanking time are determined by D16, R56, R57, C39, and C40. Q10 prevents noise blanking times from exceeding the above limits, automatically stopping the function when the limits are reached.

4 - 1 - 5 NOTCH CIRCUIT

A notch circuit is installed in the IC-751A with a 9MHz crystal filter function. This circuit uses a bridge-type notch filter and achieves very sharp attenuation and stability using a crystal unit.

Notch frequency can be altered by a capacitance change of varicap D110 which is installed in series with crystal unit X2. When the notch circuit is not turned ON with the [NOTCH] SWITCH, both the input and output of the notch circuit are grounded by D109.

Monolithic filter FI7 is connected to the next stage of the notch circuit and eliminates spurious signals emitted from mixer IC11.

4 - 1 - 6 DETECTOR CIRCUIT

Signals amplified in the receive IF circuit pass into IC20 for detection of the SSB, CW and RTTY modes, and into D145 for detection of the AM mode through buffer amplifier Q80.

The product detector for the SSB, CW and RTTY modes functions in IC20, a balanced mixer IC chip. BFO signals are applied to IC20 for each mode. In the AM detector, D145 rectifies IF signals and the rectified signals are received at Q79, a high impedance emitter follower circuit which improves the distortion ratio of the rectified signals.

4 - 1 - 7 AGC CIRCUIT

The IC-751A has a fast attack/slow release-type AGC system which maintains the peak voltage of rectified IF signals from the IF amplifier circuit for a brief period of time. The AGC circuit provides a dual gate MOSFET in each IF amplifier circuit. AGC voltage is applied to the PIN attenuator in the RF UNIT, obtaining a dynamic range of 100dB.

AGC CIRCUIT SCHEMATIC DIAGRAM

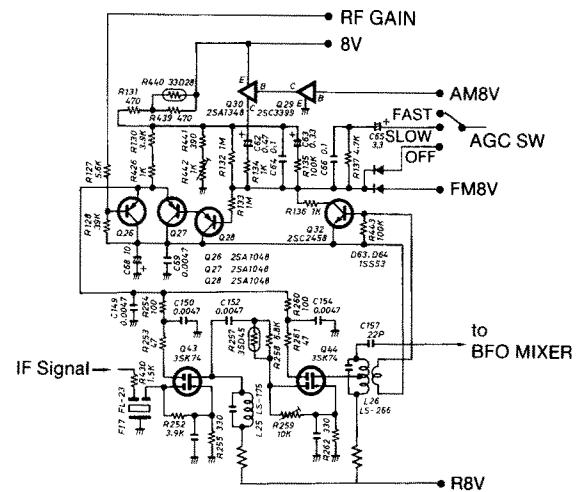


Fig. 3

The time constant of the AGC circuit is selectable, and has three positions, [FAST], [SLOW], and [OFF] for suitable operation.

The received IF amplifier output signals are detected and amplified at Q32. Then, the output of Q32 is connected to a time constant circuit consisting of capacitors and resistors which change the AGC release time. Q27 and Q28 control the AGC voltage. The AGC voltage is set for approximately 4.4V when no signal is received. The voltage will decrease depending on the signal strength of received signals.

When the [AGC] SWITCH is set in the [SLOW] position, R137, C65 and C66 are added to the normal time constant circuit to obtain a longer AGC release time. When the [AGC] SWITCH is set in the OFF position, 8V is applied to the base of Q28 through D64. Therefore, the AGC circuit does not function. The AGC circuit also does not function in FM mode.

4 - 1 - 8 FM IF AMPLIFIER AND DETECTOR CIRCUITS

When FM mode is operating, IF signals are passed through FI6 (a 455kHz filter) and are amplified at IC12 and Q45, and then are limiter amplified at IC13. After being amplified, signals are fed into a detector circuit consisting of D1, D2, and ceramic discriminator X3. Detected signals are deemphasized by an integrated circuit consisting of R405 and C246, and are then applied to the AF preamplifier circuit.

4 - 1 - 9 AF AMPLIFIER CIRCUITS

Audio signals from IC20 or Q76 are amplified at IC19(b) and fed into a tone control circuit consisting of R394 and C258 on the MAIN UNIT and the [TONE] CONTROL on the front panel. After passing through the tone control circuit, audio signals pass through the [AF GAIN] CONTROL on the front panel and are then fed into IC18, the power amplifier. IC18 drives the speaker at more than 3W with 8 ohms of resistance.

Q74 and Q75 comprise a squelch switching circuit which cuts audio output. Output signals from IC19(b) are applied to the rear panel AF OUT pin in the ACCESSORY SOCKET.

4 - 1 - 10 S-METER CIRCUIT

When operating in FM mode, output signals from Q45 (an FM IF signal amplifier) are detected by D114 and D115, and are then applied to the S-METER. D112 is a compression circuit which maintains the S-METER dynamic range at approximately 40dB.

When operating in modes other than FM, AGC voltage is amplified by a differential amplifier which consists of Q26~Q28 and IC7(h). AGC voltage is then supplied to the S-METER. Offset in the differential circuit is adjusted by R132 and sets the S-METER at 0. An AGC reference voltage is adjusted by R442 to obtain excellent meter linearity. When the [AGC] SWITCH is in the OFF position, AGC voltage is fixed and the S-METER will not operate.

4 - 1 - 11 SQUELCH CIRCUIT

(a) NOISE SQUELCH (FM MODE)

A portion of the output signals from the FM detector circuit pass through the [SQUELCH] CONTROL on the front panel. They are then applied to the noise amplifier circuit on the MAIN UNIT. The [SQUELCH] CONTROL is a double variable resistor, so it can be used to squelch noise and the S-METER.

The noise amplifier circuit consists of an active filter (Q22) and noise amplifier (Q23). Q22 detects 10~20kHz noise components which are determined by L9 and C55. Noise components amplified at Q23 are detected by D55 and D56, and are then applied to comparator IC7(g).

When operating in FM mode, pin 2 on IC7(g) is at 0V, as determined by Q83, and the S-METER squelch control voltage is grounded by Q25. When no detected voltage is supplied from D56, pin 3 on IC7(g) is at a negative voltage, as determined by R117. The output of IC7(g) is therefore "LOW" and thus the squelch switching circuit (consisting of Q74 and Q75) is turned OFF (squelch opens). Q24 receives the output of IC7(g) through D57, turning ON and OFF the RECEIVE INDICATOR.

When a detected voltage is supplied from D56 (no signal being received), pin 3 on IC7(g) is greater than 0V and the output of IC7(g) is "HIGH". Q74 and Q75 then turn ON, cutting the audio signal.

(b) S-METER SQUELCH

When operating in a mode other than FM, IC7(g) receives S-METER voltage at pin 2 and reference voltage from the [SQUELCH] CONTROL at pin 3. When the [SQUELCH] CONTROL is turned CCW to its maximum position, the reference voltage is approximately -0.5V; when turned maximum CW the reference voltage is approximately +2.5V. When the S-METER voltage is lower than the reference voltage, Q74 and Q75 are turned ON, closing the squelch.

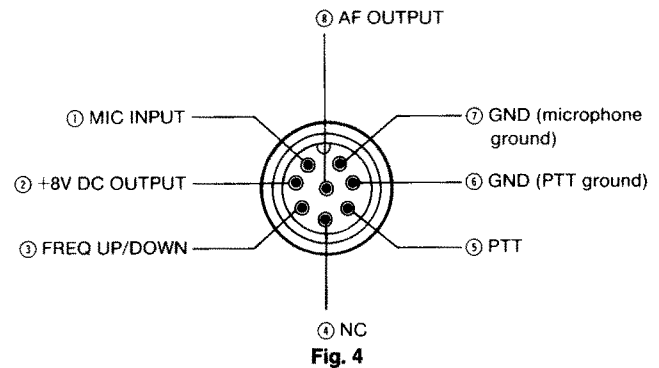
4 - 2 TRANSMITTER CIRCUITS

4 - 2 - 1 MIC AMPLIFIER CIRCUIT

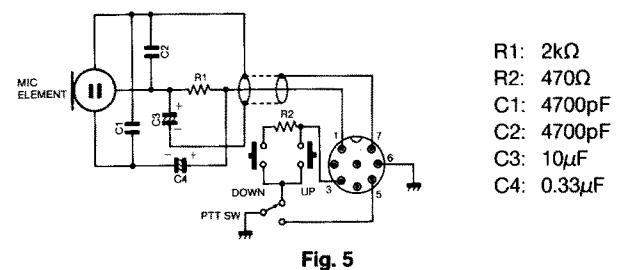
An audio signal from the MIC CONNECTOR is amplified at Q2, the mic preamplifier circuit in the AF VR UNIT, and then passes through the [MIC GAIN] CONTROL. The signal is

then applied to the mic amplifier circuit which consists of Q34 and Q35, and passes through the [TONE] CONTROL which consists of R154, R155, C86, and C87. Frequency characteristics of the audio signal are controlled by R155. The MOD terminal on the ACC CONNECTOR socket is connected to the base of Q35 through R148 and C83.

IC-751A MIC CONNECTOR (Front View)



HM-36 SCHEMATIC DIAGRAM



4 - 2 - 2 BALANCED MODULATOR CIRCUIT

When operating in SSB or AM mode, an audio signal from the mic amplifier circuit is applied to balanced mixer IC9 where it is mixed with a BFO signal. A double sideband (DSB) signal is then output from IC9. In SSB mode, the bias voltage of IC9 is adjusted by R158 and R161, reducing the carrier signal. In AM mode, R159 and D75 add voltage to pin 5 on IC9, disrupting the balance and generating an AM signal.

4 - 2 - 3 SSB AND AM TRANSMITTER IF CIRCUITS

A DSB or AM signal generated at IC9 is applied to the 9MHz filter as in the receiver circuits. In SSB mode, the DSB signal passes through FI2, creating an SSB signal. In AM mode, an AM signal passes through the circuit. After passing through the filter, a signal is buffer-amplified at Q84 and fed into mixer IC10 for conversion into a 455kHz 2nd IF frequency signal. This 2nd IF frequency signal is applied to Q38 directly when the [COMP] SWITCH is OFF or indirectly through the compressor circuit when the [COMP] SWITCH is ON.

A 455kHz filter, buffer amplifier Q42, and mixer IC11 are commonly used with the receive circuit, so 455kHz 2nd IF frequency signals are re-converted to 9MHz 3rd IF frequency signals and are applied to Q1, the transmitter IF amplifier.

4 - 2 - 4 COMPRESSOR CIRCUIT

The compressor circuit increases the average power needed to limit amplitude when in SSB mode. Since amplitude is limited with an IF frequency signal, signal distortion is slight.

SSB signals from IC10 are amplified at Q36 and are amplitude limited by diode limiters D92 and D93. Parts of the

signals from Q36 are detected at D94 and D95 and are then current amplified by Q37 and applied to the COMP METER. When the [COMP] SWITCH is OFF, output from IC10 is applied directly to Q38 by D90.

4 - 2 - 5 CW, RTTY OSCILLATOR CIRCUITS

In CW or RTTY mode, Q3 and X1 oscillate the transmit carrier signal. In CW mode, oscillation is controlled by the external keys. In RTTY mode, the oscillating frequency is controlled by C17 and C20.

The emitter resistor of Q3 is connected to the collector of Q4 to control oscillation. When Q5 or Q6 is activated, D4 is turned ON by R17, R18 and R19. C15~C20 are then series connected to X1 to oscillate 9.0106MHz (an RTTY marker frequency or a CW oscillator frequency). When both Q5 and Q6 are OFF, D4 is also OFF, thus capacitors C19 and C20 or C17~C20 (which are controlled by S1, the Shift Selection Switch on the MAIN UNIT) are cut from X1 to oscillate either 9.01077MHz (the 170Hz shift frequency) or 9.01145MHz (the 850Hz shift frequency), respectively.

Q5 is an inverter for changing the Mark and Shift polarities in RTTY modes. Polarity is fixed by S2 on the MAIN UNIT, the RTTY Polarity Switch. In CW mode, Q5 receives voltage from D5, so S2 has no relation to the oscillation frequency which is 9.0106MHz.

4 - 2 - 6 CW KEYING CIRCUIT

A keying signal from the [EXT KEY] JACK is applied to Q4 through a delay circuit which consists of IC1, R31, and C23 (delay time is approximately 6ms). Transmit and receive switching time is approximately 20ms, but when using full break-in operation RF signals are delayed for less than 6ms.

4 - 2 - 7 FM OSCILLATOR AND MODULATOR CIRCUITS

An audio signal from the mic amplifier circuit is fed into IC14(a), a limiter amplifier, through C175 and R279, the pre-emphasis circuit. After being amplified at IC14(a), an audio signal is applied to IC14(b), a splatter filter which reduces distortion components. The signal is then applied to the FM modulator circuit.

Output from IC14(b) is applied to the anode of D118 and signals oscillated by Q47 and X4 are frequency modulated. Output from a UT-30 optional tone encoder is amplified at Q46 and is then applied to the anode of D118, the same as an audio signal. ON and OFF switching in the UT-30 is controlled by the FUNCTION LED voltage. when the FUNCTION LED lights up, the UT-30 is activated.

Audio deviation is adjusted by R292 and subaudible tone deviation is adjusted by R290. Output signals from the FM local oscillator circuit are buffer amplified at Q2 and are then applied to Q1, the same as in CW and RTTY modes.

4 - 2 - 8 BFO CIRCUIT

This circuit oscillates local signals for detection of SSB, RTTY, and CW modes via IC20 and for detection of the monitor circuit via IC15. The circuit provides balanced modulation with IC9.

The oscillation frequency should be as follows:

USB	:	9.01300MHz
LSB, AM (Receive)	:	9.01000MHz
CW (Receive)	:	9.00990MHz
RTTY (Receive)	:	9.008475MHz

The circuit oscillates using X6 in USB mode and X5 with L33, L34 and L35 connected in series in LSB, CW and RTTY modes, respectively. The circuit stops oscillating when the transceiver is operating in AM receiving and CW transmitting as Q52 and Q53 provide no voltage to the circuit.

4 - 2 - 9 TRANSMITTER IF AMPLIFIER CIRCUITS

1. MAIN UNIT

9MHz IF frequencies from the oscillator circuit of each mode pass through monolithic filter FI1 to remove spurious components. The signals are then fed into Q1. Gate 1 of Q1 receives ALC voltage and gate 2 receives control voltage from the power control unit.

2. RF UNIT

IF signals from the MAIN UNIT pass through a low pass filter circuit and are converted into 70.4515MHz signals by IC3, a balanced mixer diode. 9.0115MHz noise components are removed from the output of IC3 by a high pass filter consisting of C64~C66. 61.44MHz noise components are removed by a series resonance circuit consisting of L30 and C67. Signals are then amplified at Q11, a dual gate FET that receives ALC voltage through D22, a T/R switching diode.

Amplified signals from Q11 are fed into Q12 and Q13, the transmit mixer circuit, through a double tuning circuit consisting of L32, L33, and C77. Spurious noise components are then removed from the signal by the 2nd gate of Q12 and Q13 which receive local frequencies with DC bias voltage that eliminates signal spuriousness. Signals are then converted to the desired frequency of 0.1~30MHz.

Converted signals pass through a low pass filter to have local oscillator components eliminated. They are then fed to an attenuator circuit consisting of pin diodes and to a receiver preamplifier bypassing circuit consisting of D12 and D13. In transmit mode, this circuit is provided with bias voltage from D9. Signals then pass through one of nine bandpass filters that are selected by a voltage from the LOGIC UNIT before being fed through a high pass filter.

In receive mode, D47 is ON. In transmit mode, D47 turns OFF since Q16 (ON) and Q18 (OFF) combine to reverse the bias of the diode. Q16 and Q18 are bandpass filter switching transistors that control other diodes such as D26, D28, D30, D32, D34, D36, D38, and D40. Note that current flows through L99 and L100.

In transmit mode, D45 turns ON and signals are wideband-amplified by Q14 and output to the PA UNIT.

When a transverter is used, D46 turns ON and inputs a converted receive signal to the transceiver or outputs a low level transmit signal from the transceiver through the transverter terminal.

RF UNIT BLOCK DIAGRAM

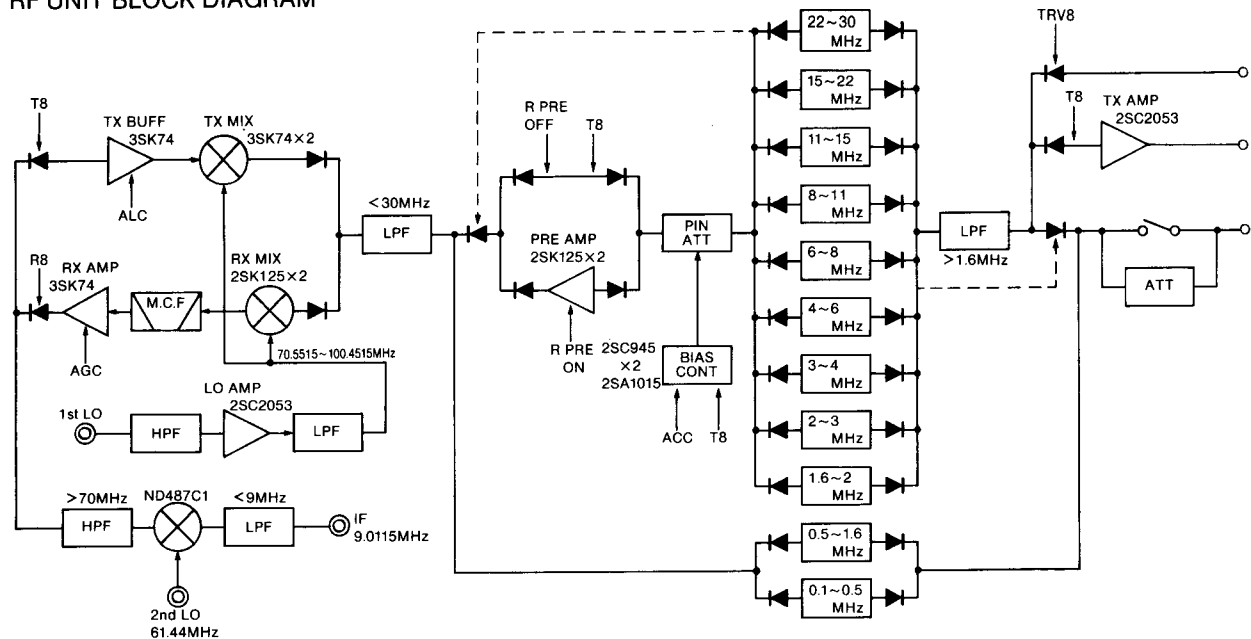


Fig. 6

3. PA UNIT

RF signals input from the RF UNIT through P1 are amplified by Q1, a class A amplifier. Output from Q1 is converted to balanced output by L1 and amplified by Q2 and Q3, class AB push-pull amplifiers. Negative feedback circuits inserted between the collector and base of Q2 and Q3 provide wide frequency characteristics. The idling current of Q2 and Q3 is controlled by the junction voltage of D1. The current is set at about 100mA by R27. R30 prevents the adjustment point from deviating due to variations in the characteristics of D1.

Output from Q2 and Q3 is fed into the impedance matching section of L4 and is amplified by Q4 and Q5, class AB push-pull amplifiers which provide 100W output power.

A portion of the output power from Q4 and Q5 is applied to the bases of these transistors through a negative feedback transformer (L9) which provides stability and broadband characteristics in the frequency range 1.8-30MHz. R23 adjusts the idling current to approximately 600mA.

Output from Q4 and Q5 is then fed to L10 for impedance conversion and output to the FILTER UNIT from P2.

4. FILTER, CONNECTOR UNITS

RF output from the PA UNIT is fed into J1 on the FILTER UNIT to eliminate harmonic components. Filtered output signals pass through the SWR detecting transformer (L18) to the CONNECTOR UNIT via P2.

The forward wave component detected by L18 is rectified by D1, filtered by C38, divided by R2 and R4, and fed into J7 on the MAIN UNIT. A reflected wave component is also detected by L18 and is rectified by D2, processed by C39, R3, and R5, and is finally sent to the MAIN UNIT.

RF output fed to the CONNECTOR UNIT passes through a diode switch (D4) to the ANTENNA CONNECTOR.

4 - 2 - 10 PBT OSCILLATOR CIRCUIT

This oscillator circuit oscillates local frequency signals for mixers IC10 and IC11 which are located at both the input and output terminals of the 455kHz filter. In the receive mode, the local signal frequency is changed by the [PBT] CONTROL and the center frequency of the 455kHz filter is changed likewise. Therefore, passband tuning functions with a 9MHz filter.

In AM and FM modes, the center frequency of the 9MHz filter is 9.0100MHz. In CW and RTTY-Narrow modes, the center frequency is 9.0106MHz. In SSB mode the center frequency is 9.0115MHz. Oscillator frequency variation causes frequency differences between SSB and the other modes.

Oscillator frequency is changed by X7, L36, and varactor diode D126 which is connected to X7 in series. The voltage from the [PBT] CONTROL is between 0 and 8V and the voltage passes to the cathode of D126 through Q58, R332, and R336. -5V are applied to the anode of D126.

The oscillator frequency of this circuit is 9.4665MHz at the center position of the [PBT] CONTROL. The frequency varies up to $\pm 1.7\text{kHz}$ with [PBT] CONTROL rotation. In AM, FM, CW, and RTTY-Narrow modes, R333 and R334 are added to the oscillator circuit by Q56 and Q57. The oscillation frequency for each mode is shifted to 9.4650MHz or 9.4656MHz. In transmit mode the oscillator frequency is fixed by applying a voltage via R337 and D129.

4 - 2 - 11 CW SIDETONE CIRCUIT

The CW sidetone circuit consists mainly of Q72 and employs a phase shift oscillator and oscillator frequency of approximately 700Hz. This oscillation is controlled by control voltage from the CW keying circuit through D152. Output signals in this circuit are fed into a monitor preamplifier circuit.

4 - 2 - 12 MONITOR CIRCUIT

The transmitter monitor circuit is not simply a modulation monitor: it also receives signals at the point where ALC is applied, allowing accurate monitoring. After a portion of the transmitting signal is amplified by Q49, it is detected by IC15 and fed into IC19(a), the monitor preamplifier. The monitor circuit is turned ON and OFF by the power source of Q49.

4 - 2 - 13 MONITOR PREAMPLIFIER CIRCUIT

IC19(a) controls the monitor preamplifier circuit and amplifies output from the monitor circuit, CW sidetone circuit, and EX-310, an optional voice synthesizer unit. Output from IC19(a) is applied to IC18, the AF power amplifier, through the [AF GAIN] CONTROL. Monitor gain can be controlled by the [MONITOR] SWITCH on the top panel of the transceiver.

4 - 2 - 14 ALC CIRCUIT

Detected forward voltage from the SWR detector circuit is fed into the negative (−) input of IC5(c). The positive (+) input of IC5(c) receives the reference voltage, so when the forward voltage is higher than the reference voltage, output from IC5(c) is at a negative voltage level. The resulting gain of Q1 on the MAIN UNIT and Q11 on the RF UNIT will be reduced. The reference voltage for IC5(c) is controlled by the [RF POWER] CONTROL to keep peak power continuously between 10 and 100W.

The time constant of the ALC is for fast attack except in AM mode. Slow release occurs in SSB and CW modes and fast release occurs in FM and RTTY modes. The fast release time is fixed by C43 and R70. In FM or RTTY modes, R67 combines with Q18 and Q19 to create slow release times. In AM mode, the time constant is made by Q16 and Q17 to make an average ALC. If an external linear amplifier is used, Q82 controls the ALC line and the input voltage level is 0~−2V.

4 - 2 - 15 APC CIRCUIT

The APC circuit will operate when the antenna impedance is high or when an excessive amount of current flows through the final transistor. Output from IC6(e) (the SWR METER amplifier) or IC6(f) (the IC METER circuit) is applied to the negative (−) input of IC4(b). The positive (+) input receives the reference voltage which is fixed by R75 and R76. The resulting output from IC4(d) controls the output power. The input voltage is adjusted by R95 (SWR) and R99 (Transistor current).

4 - 2 - 16 TRANSMITTER METER CIRCUITS

(a) Po METER:

Detected forward voltage from the SWR detector circuit is amplified at IC5(d) and is then applied to the Po METER. D51 and C50 are connected to the output of IC5(d), creating peak conditions on the voltmeter.

(b) SWR METER:

Detected reflection voltage from the SWR detector circuit is amplified at IC6(e) and is then applied to the SWR METER.

(c) ALC METER:

This meter indicates the ALC level. The ALC circuit begins to function when the RF output power reaches a preset level. The detected ALC voltage is applied to operational amplifier IC4(a) for amplification and the ALC METER indicates the output voltage.

(d) Ic METER:

This meter indicates the collector current of the final transistors in the PA UNIT. A very low resistance resistor is connected in the 13.8V line of the PA UNIT in series. This resistor creates voltage when the collector current is flowing. The voltage between both leads of the resistor is applied to a DC differential amplifier IC6(f) for indicating the Ic METER current level.

(e) Vc METER:

This meter indicates the power supply voltage. The power supply voltage is divided by resistors on the FRONT UNIT and a portion of the divided voltage creates the Vc indicator. R106 on the MAIN UNIT is for voltage indicator calibrations.

(f) COMP METER:

This meter indicates the compression level when the speech compressor is in use.

4 - 2 - 17 VOX AND ANTI-VOX CIRCUITS

A portion of output signals from the mic amplifier in the FRONT UNIT passes through the [VOX] GAIN CONTROL and is applied to the VOX circuit on the MAIN UNIT. Input audio signals are applied to a comparator IC chip, IC16(a), through a variable attenuator for anti-vox control. This attenuator consists of R340, R341, Q59, and amplifier Q60. The comparator outputs 8V normally and Q61 is turned OFF.

When an audio signal is applied to the comparator and the peak of the audio signal is over the threshold level, the comparator output voltage decreases. Therefore, Q61 is turned ON and C227, C228 and C229 are charged so that the SEND line is grounded, creating the transmit mode via Q62 and Q63.

The charged voltage of Q61 is discharged by the [VOX DELAY] CONTROL on the front panel through R355. The transceiver then returns to receive mode. Delay time of the VOX operation is adjusted by the [VOX DELAY] CONTROL.

In CW mode, a voltage from the keying circuit is charged into C227 and C228 and the VOX circuit has the same function as described above. However, the voltage is not charged in C297 since D133 is connected to the collector of Q61. The delay time in CW mode is therefore shorter than in the other modes. Also, C228 is separated from the circuit so that the [VOX DELAY] CONTROL is set for a minimum value and the delay time is negligible when operating with CW full break-in.

The ANTI-VOX circuit prevents the VOX circuit from malfunctioning due to noise from the speaker. A portion of

the speaker output signal is applied to IC16(b) through the [ANTI-VOX] CONTROL on the top panel. Amplified signals from IC16(b) are rectified by D131 and pass into variable attenuator Q59. The [ANTI VOX] CONTROL thus depends on output from the speaker to control the VOX circuit. In CW and RTTY modes, input signals from the VOX circuit are cut by Q59 and the VOX function does not work with microphone input signals.

4 - 2 - 18 METER SWITCHING CIRCUIT

The front panel meter is a multifunction meter so it has the capability of indicating several transceiver meter measurements. Meter functions are changed through use of a CMOS analog switching IC chip (ICS).

The signal output from each detector in transmit mode is applied to the [METER] SWITCH on the front panel. The [METER] SWITCH selects the desired information and the selected signal passes to IC8(c) on the MAIN UNIT.

The signal output from each detector in receive mode has two different signal lines. In FM mode, IC8(a) cuts the signal strength signal for modes other than FM and selects the FMS line for FM signal strength signals.

IC8(a) and IC8(b) are used for receiving. IC8(c) is used for transmitting.

4 - 2 - 19 FILTER SWITCHING CIRCUIT

The filter selector circuit consists of a CMOS four channel multiplexer, IC3. The signals for each mode and for the [FILTER] SWITCH positions (IN or OUT) on the front panel are applied to input terminals A to C on IC3. Output terminals 0 to 7 output a signal which accords with input signal combinations. The output signal is divided into four different lines such as three 9MHz filter lines and a 455kHz filter line.

In FM mode, signals pass through FI6, a 455kHz filter. The switching circuit selects FI6 only, so signals will not pass through any 9MHz filters used for signals in other modes. Refer to the FILTER COMBINATION table in SECTION 11-5 for further information.

The [FILTER] SWITCH on the front panel of the IC-751A selects two receive filter systems for SSB, CW, RTTY or AM modes when it is placed in the IN or OUT positions. The IN/OUT relationship of the [FILTER] SWITCH may be reversed by using the internal FILTER REVERSE SWITCHES, S3 AND S4. Refer to SECTION 11-1 OPTIONAL FILTERS for further details.

4 - 3 POWER SUPPLY CIRCUITS

4 - 3 - 1 8V REGULATOR CIRCUIT

This circuit supplies regulated 8V signals both in receiving and transmitting. These 8V signals are generated by a three-terminal voltage regulator IC chip (IC17) on the MAIN UNIT after they pass from the METER SW UNIT as 13.8V signals.

TIMING CHART FOR FULL BREAK-IN OPERATION

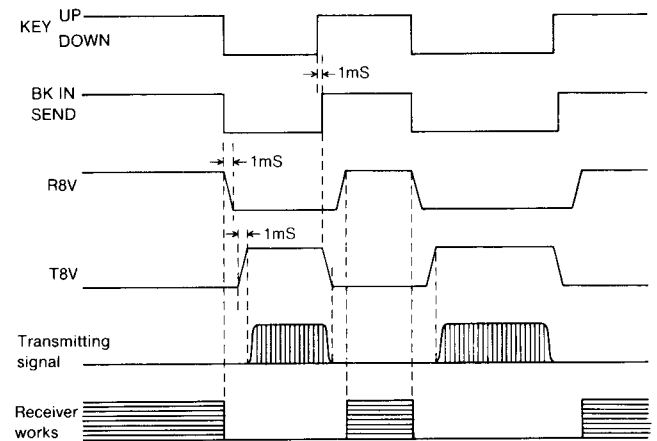


Fig. 7

4 - 3 - 2 RECEIVE 8V (R8V) REGULATOR CIRCUIT

This circuit supplies R8V in receive mode, and consists of Q65, Q66 and Q67. Q65 is used for regulating the voltage. Q65 and Q67 prevent R8V from being supplied in transmit mode.

4 - 3 - 3 TRANSMIT 8V (T8V) REGULATOR CIRCUIT

This circuit supplies T8V in transmit mode, and consists of Q68, Q69 and Q70. Q68 is used for regulating the voltage. Q69 and Q70 prevent T8V from being supplied in receive mode.

4 - 3 - 4 POWER SUPPLY SWITCHING CIRCUIT

Switching of the regulated power supply voltage between receive and transmit mode is performed by an interface circuit consisting of Q64, Q68 and Q69. The interface circuit is connected to the SEND line. When the SEND line voltage is more than 2V as detected by Q64, the R8V regulator circuit functions; when the line voltage is between -0.3 and +0.8V, the T8V regulator circuit functions.

Regulator switching timing chart

4 - 3 - 5 REGULATOR SWITCHING TIMING CIRCUIT

This circuit gives the PLL circuit a faster lockup time when the [RIT] or [ΔTX] SWITCHES are turned ON.

Either R8V or T8V is applied to Q71 through D139 and D140. When both R8V and T8V are 0V at the moment when the receive mode is switched to transmit mode or vice versa, the collector of Q71 is "HIGH" and the level is applied to the MUTE circuit on the PLL UNIT.

4 - 4 PLL CIRCUITS

The PLL UNIT in the IC-751A is equipped with a reversed heterodyne 1st mixer and a normal heterodyne 2nd mixer, so PLL output has very accurate oscillation.

The PLL UNIT outputs two oscillator signals for the RF UNIT: a variable first local oscillator output (1st LO output) of 70.55~100.45MHz necessary for the 1st mixer, and a fixed local oscillator output (2nd LO output) of 61.44MHz necessary for the 2nd mixer. A marker signal is also generated in this unit and is sent to the RF UNIT.

All the signals generated in the PLL UNIT are produced from a single oscillator output. Therefore, the frequencies of all signals generated in the PLL UNIT can be calibrated simply by adjusting the reference frequency oscillator.

4 - 4 - 1 REFERENCE FREQUENCY OSCILLATOR AND MARKER CIRCUITS

The frequency of reference frequency oscillator Q10 is the base of all the frequencies of the signals in the PLL UNIT so it requires sufficient stability. Therefore, C3, C6, and C8 are provided for temperature compensation, and a regulator

output voltage of 8V is further obtained from D20, a 5V zener diode.

The frequency of the reference frequency oscillator is 30.72MHz. This frequency is used for the 2nd LO circuit and for reference frequency signals for the main and sub loops, and in-loop LO oscillator.

In order to supply the 2nd LO output, the reference frequency oscillator output is doubled and amplified by Q14. Spurious components are sufficiently reduced by L3, L4 and

PLL SUB-LOOP BLOCK DIAGRAM

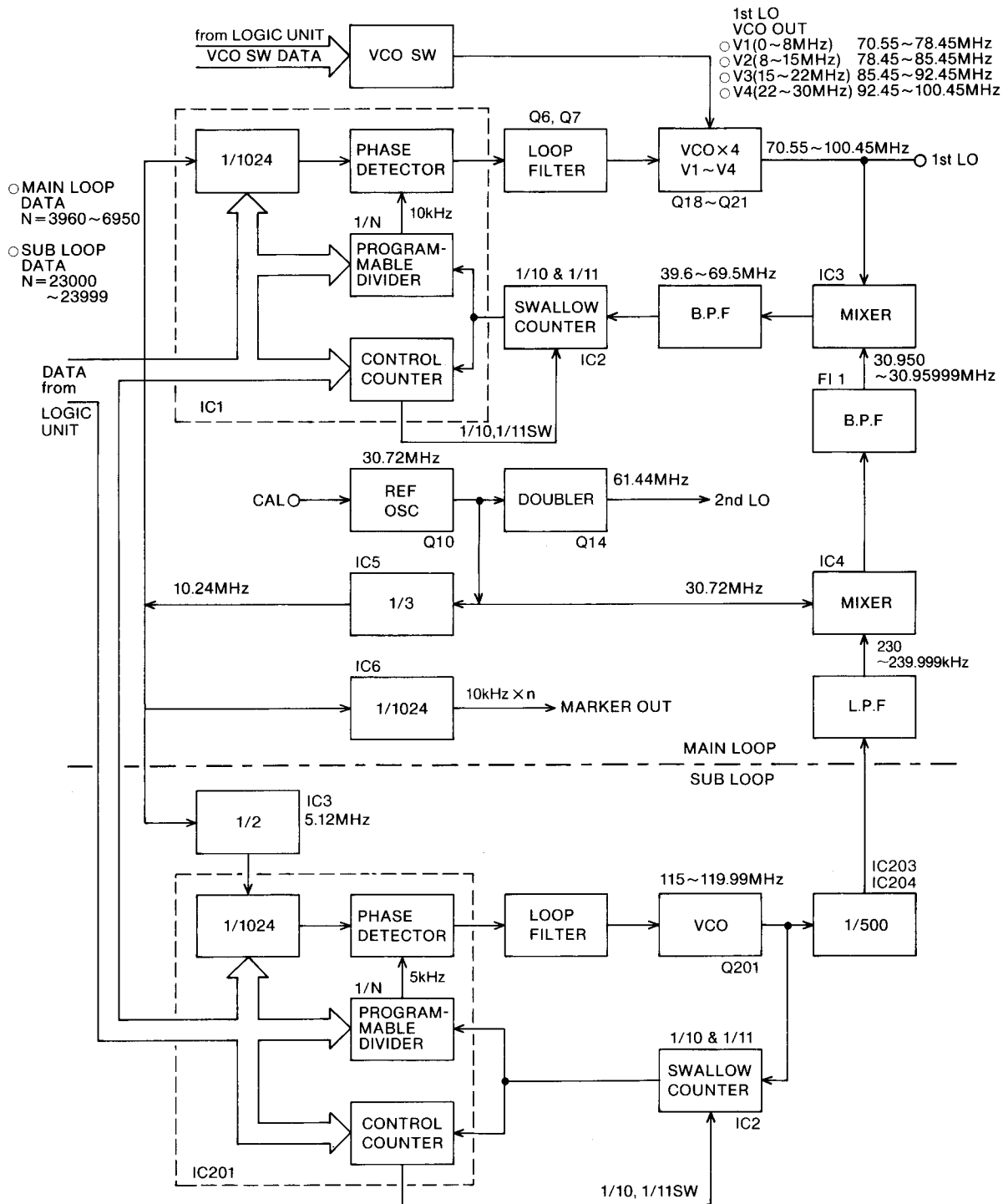


Fig. 8

L5. An output signal of about 3dBm/50Ω is fed to the RF UNIT from J5. A mute signal is applied to this stage when the PLL is unlocked.

In order to obtain a reference signal of 10kHz for the main loop, IC5 divides the reference frequency oscillator signal by three and applies a 10.24MHz signal to IC1. For a sub-loop reference signal of 5kHz, IC203 divides the output signal of IC5 by two and applies a 5.12MHz signal to IC201.

For the marker signal, a 10kHz signal is generated by dividing the IC5 output signal of 10.24MHz by 1024 in IC6. Its harmonics are fed through buffer amplifier Q12 and fed to the RF UNIT through P1. Since the marker signal is derived from reference frequency common to all the frequencies in the PLL UNIT, all the frequencies are adjusted simultaneously when the marker frequency is calibrated

with a standard frequency signal such as JJY or WWV.

4 - 4 - 2 MAIN LOOP CIRCUITS

The main loop forms the PLL loop and supplies the 1st LO output. It consists of a combination of a mixed down and divided system.

The VCO output frequency F_v is given as:

$$F_v = F_{LO} + N \times F_{ref}$$

Frequency changes are made by changing the F_{LO} and N .

The reference frequency (F_{ref}) is 10kHz, and the VCO is controlled in 10kHz steps by changing the dividing ratio N of the programmable divider. A frequency between this step (less than 10 kHz) is obtained by F_{LO} which controls the VCO output frequency. Note that F_{LO} can be changed in 10Hz steps over the 9.99kHz range, and in this way the entire 30MHz range of the PLL can be varied in 10Hz steps.

MAIN LOOP

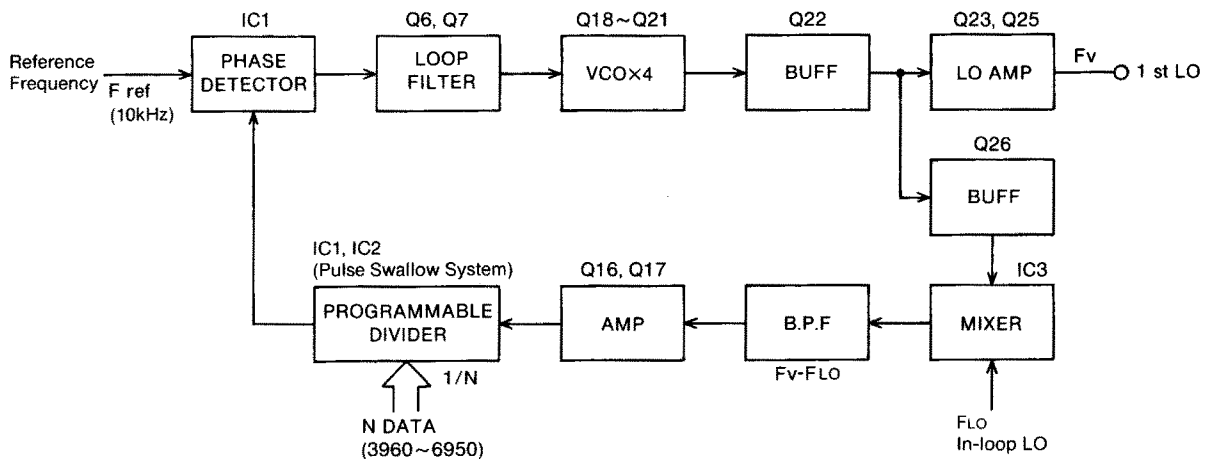


Fig. 9

MARKER GENERATOR

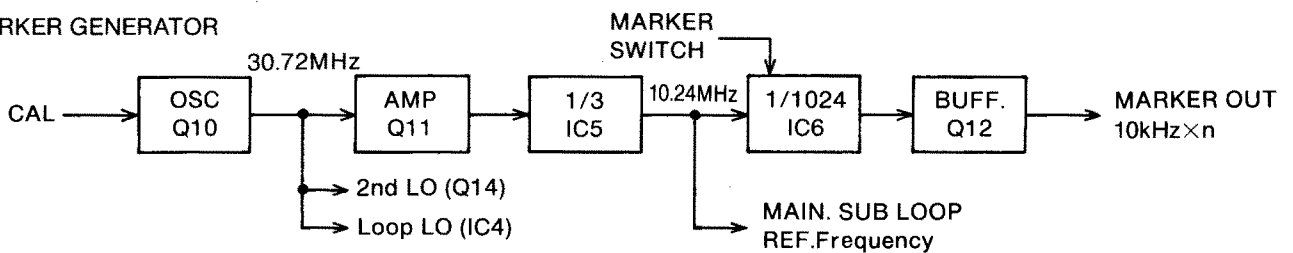


Fig. 10

(a) PLL IC

IC1 (M54929P) is a multi-function IC containing a phase comparator, a programmable divider, a reference frequency oscillator circuit, a divider, and a swallow counter controller. By using this IC with IC2 (M54466L, a swallow counter), it performs pulse swallow dividing. This combination forms a

programmable divider which features a large dividing ratio and allows operation even in a higher frequency range. Compared to conventional ICs fewer components are required and the combination allows the PLL to be locked in steps as small as 10Hz.

(b) VCO

The performance of the VCO is very important for PLL operation. A high carrier-to-noise (C/N) ratio and a stable oscillator output is obtained in the IC-751A by using four separate VCOs, each of which is assigned a quarter of the necessary bandwidth. Dividing the VCOs reduces the burden of one VCO which would otherwise provide frequency changes over the entire bandwidth.

Power supply to the VCOs is doubly regulated as with the reference frequency oscillator. Furthermore, coreless coils are used for the oscillation coils in order to obtain a high Q as well as immunity from external induction.

The location of grounding points on the printed circuit board, allocation of components, and utilization of a solid shielding case additionally give the transceiver a high C/N ratio.

(c) LOOP SYSTEM

The output of the VCO is separated into two parts after passing through buffer amplifier Q22.

One part is amplified by Q23, and is output to the RF UNIT as a 1st LO output after impedance matching by Q25. The output level is about 0dBm/50Ω.

IN-LOOP LOCAL OSCILLATOR BLOCK DIAGRAM

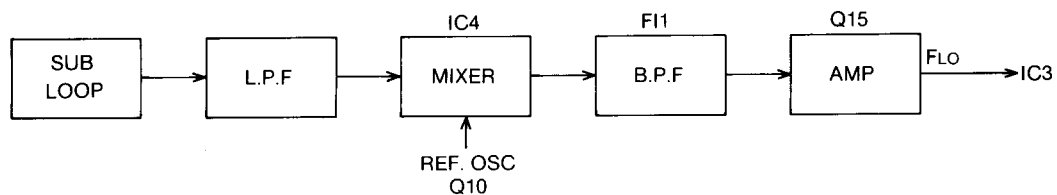


Fig. 11

(e) LOOP FILTER AND MUTE CIRCUITS

The loop filter of the main loop uses an active filter composed of Q6 and Q7. The loop filter and the VCO are important for the performance of the PLL circuits, and determines lockup time and C/N (Carrier/Noise) ratios.

Lockup time and C/N ratios conflict with each other. That is, as the time constant of the loop filter increases lockup time speed, the C/N ratio will be decreased. In order to solve this problem a variable resistor composed of an FET is inserted into the loop filter in the PLL circuits. Thus, if the frequency changes, the lockup time increases speed, decreasing the time constant of the loop filter, and making the C/N ratio greater by setting the time constant at a higher level than for normal operations.

The circuit changing the time constant Q5 is driven by a mute signal. If the mute signal is generated by the main loop or the sub loop, or if the frequency is changed to more than a certain level at one time, the circuit starts operating.

Mute signals output from IC1 in the main loop or IC201 in the sub loop are processed by Q8 and Q9. They are given appropriate voltages and a time constant, and are fed to Q5, Q13, and Q24. Q13 and Q24 switch the bases of the transistors of the output amplifier for 1st LO and 2nd LO output.

The other part is fed back to the PLL loop through buffer amplifier Q26. A common base amplifier circuit with a high isolation performance is used for the buffer amplifier in order to prevent spurious components from leaking into the 1st LO output. Spurious components arise from various frequency components in the PLL loop. The VCO signal is then mixed with the in-loop LO (F_{LO}) by IC3 and mixed down. Output from the mixer passes through a bandpass filter with a bandwidth of 35~75MHz, eliminating spurious components. The output is then amplified by cascade amplifiers Q16 and Q17, and is input to IC2 to form the PLL. D10 and D11 help limit excessive input voltages to IC2.

(d) IN-LOOP LOCAL OSCILLATOR CIRCUIT

The in-loop local oscillator controls the main loop in 10Hz steps by heterodyning the VCO signal.

Output frequency from the sub-loop is too low to use (230.00~239.99kHz) so the output is mixed with the reference frequency oscillator output via IC4 and converted to an appropriate frequency through heterodyning.

Heterodyned output passes through monolithic filter F11 where spurious components are removed. The output is then amplified by Q15 and fed to IC3.

This switching operation allows the transceiver to transmit or receive on desired frequencies, and completes lockup time operations more quickly.

4 - 4 - 3 SUB-LOOP

This loop forms a locked loop using a divider to provide in-loop LO for the main loop.

The reference frequency is 5kHz and the VCO can be locked within the frequency range of 115.00~119.995MHz. The output signal of the 4.995MHz bandwidth with a 5kHz resolution is divided in a 1/500 ratio by IC204 and IC203, providing output ranging from 230.00 to 239.99kHz (i.e., 9.99kHz bandwidth) in 10Hz steps. This output is fed to the main loop.

VCO output is input to IC202 as well as to IC204 and passes through a loop filter composed of IC201 to control the VCO and form a PLL circuit. A pulse swallow counter composed of the combination of IC201 and IC202, as in the main loop, is used in this loop. Therefore the frequency can be changed by changing the dividing ratio. A 10.24MHz reference frequency is divided by 2 in IC203 and then is divided by the built-in divider of IC201 at 5kHz.

SUB-LOOP BLOCK DIAGRAM

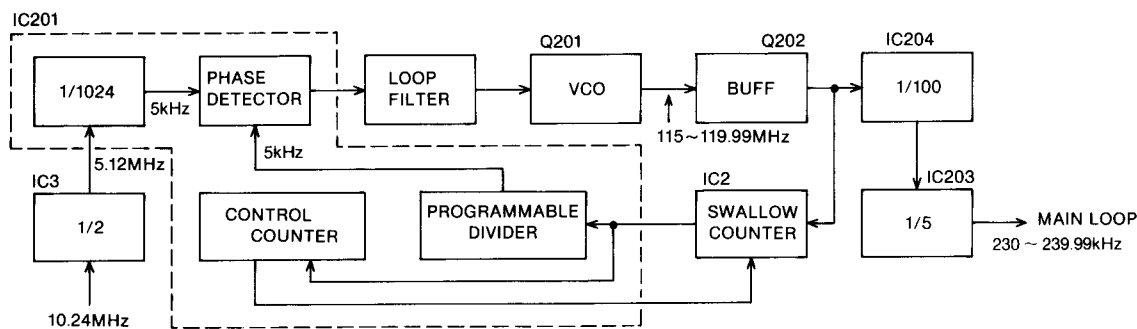


Fig. 12

4 - 4 - 4 PLL DATA

Data for setting the dividing ratio N of the programmable divider is sent from the LOGIC UNIT. Control data for switching VCOs is also sent from the LOGIC UNIT. Data to set the dividing ratio (called N-data) is sent dynamically while data for the VCO is sent statically.

Since the dividing ratio of the reference frequency divider of IC1 can be changed, the data (1/1024 constant) is also sent at the same time.

(a) HOW TO DERIVE N-DATA

Since there are two locked loops, two kinds of N-data are necessary. Even if the output frequencies from the PLL circuits in all modes are the same, the display frequencies are different depending on the operating mode. For example, if the same frequency is displayed for LSB, AM and FM modes, the frequency will be 600Hz lower in CW and RTTY modes and 3kHz lower in USB mode.

The method for deriving N-data for LSB, AM, and FM modes is shown below.

example : 14.0750MHz

Main Loop

Ignore the digits equal to or lower than 1kHz of the displayed frequency and let the obtained frequency be F1, then:

$$N = F1 \times 100 + 3950$$

where F1 is 14.07 for the case shown above. Thus, we get:

$$N = 14.07 \times 100 + 3950 = 5357$$

Sub-loop

If the frequency shown in the digits is equal to or lower than 1kHz and you let the displayed frequency be F2, then

$$N = F2 \times 100 + 23000$$

where F2 is 5.00 in the case shown above. Thus, we get

$$N = 5.00 \times 100 + 23000 = 23500$$

Note that the digit for 10Hz is not displayed.

To get N for other modes, add 600Hz for CW and RTTY modes and add 3kHz for USB mode to the displayed frequency, then follow the steps shown above.

For the value of N to be derived at in the above way, the dividing ratio of the programmable divider must be 1/N.

4 - 5 LOGIC UNIT

The functions in the LOGIC UNIT include the control of frequency, the processing of BPF and LPF signals and mode signals, and data output for the PLL UNIT and DISPLAY UNIT. The LOGIC UNIT is composed of an 8-bit NMOS CPU, a 4-bit 1k word CMOS RAM, a multi-purpose custom IC, and I/O expander ICs.

4 - 5 - 1 CPU

Functions are assigned to the pins of the CPU as shown below. The interrupt pins are assigned to the TUNING CONTROL with the highest priority. Pins where no functions are assigned are left unconnected.

Addresses are assigned not only to ROM and RAM, but to all the other peripheral devices.

The CPU's port addressing and its memory maps are shown in Fig. 13 and Fig. 14.

4 - 5 - 2 CPU INPUT CONTROL CIRCUIT

A multi-function custom IC (a 40-pin DIL package CMOS IC) is used. (Refer to Fig. 15)

- An external L and C are connected to Pin 18 and Pin 19 to give about a 100kHz clock signal.
- The ATS of Pin 32 is at a HIGH level if the TUNING CONTROL is rotated at a faster speed than can be set by the values of C6 and R7 connected to TC of Pin 21. The HIGH level is used as a strobe signal which switches the dial-pitch(tuning rate) of the matrix input.
- M1 and M2 at Pin 38 and Pin 37 are used to switch the multiplication factors of the input pulses from the TUNING CONTROL. 200 pulses per one rotation are obtained by 50 pulses \times 4 (quadri-speed mode). For RIT/ Δ TX CONTROL, the multiplication factor is fixed at double to give 50 pulses \times 2 = 100 pulses per one rotation.

CUSTOM IC PIN CONNECTION

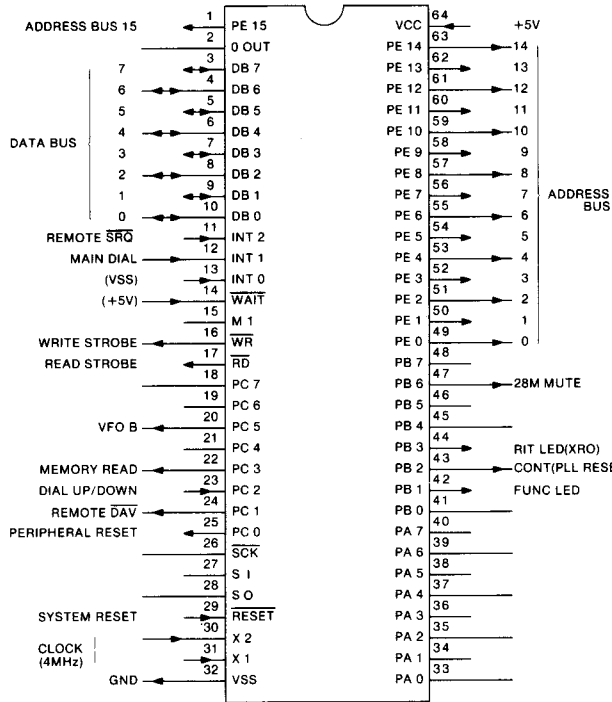


Fig. 13

CPU MEMORY MAP

0 0 0 0	CPU INTERNAL ROM 8bit x 4096W
0 F F F	
7 F F F	REMOTE CONTROL
8 F F 0	
1	
2	
3	
4	Input
5	Matrix
6	
7	
8	
8 F F 9	
9 F F D	Display Data Out(μ PD549c x2)
B F F 9	BPF(High)
A	BPF(Mid.)
B	BPF(Low)
C	MODE(High)
D	MODE(Low)
E	ALL F
B F F F	MS. PS
C F F E	PLL Data Out(M54929 x2)
F 8 0 0	EXTERNAL RAM 4bit x 1024W(μ PD444C)
F B F F	
F F 8 0	CPU INTERNAL RAM 8bit x 128W
F F F F	

Fig. 14

CPU PIN CONNECTION

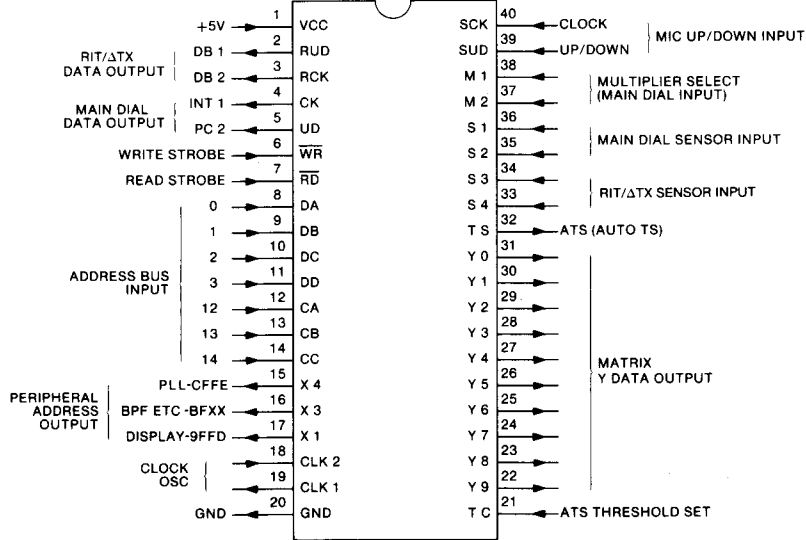


Fig. 15

4 - 5 - 3 I/O EXPANDER CIRCUIT

This circuit controls data outputs for PLL circuits, VCOs, bandpass filters, and modes.

I/O EXPANDER CIRCUIT

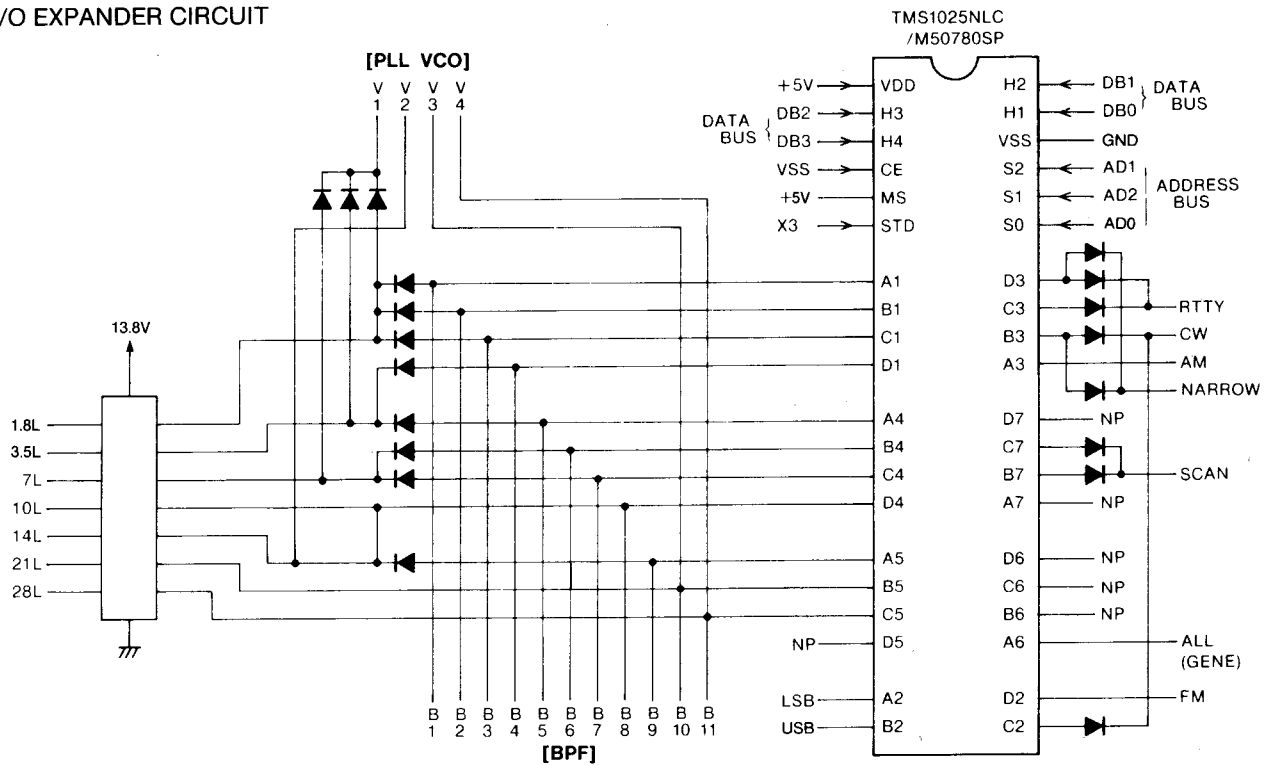


Fig. 16

4 - 5 - 4 N-DATA OF PLL

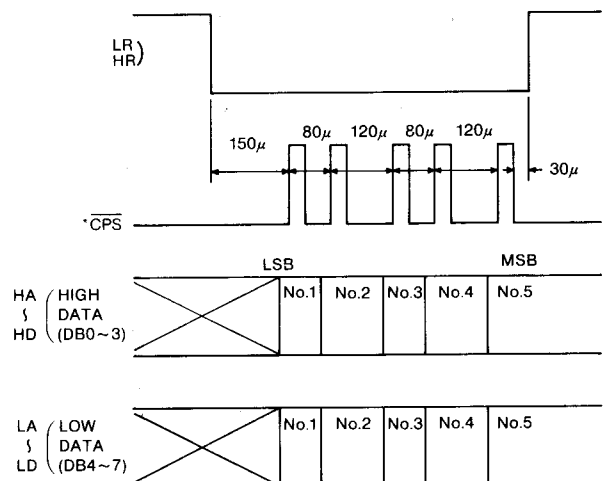
Since the PLL circuits use a double loop construction, both main loop and sub loop N-data are sent from the LOGIC UNIT to the PLL UNIT.

Data lines HA-HD and LA-LD are switched by the gates of IC17 and IC18. The lines are shared by signals for the PLL circuits, DISPLAY circuits, bandpass filters, etc. Therefore, this switching prevents the VCOs in the PLL UNIT from introducing noise when the lines are not used for PLL data.

HIGH and LOW N-DATA Table

HIGH N-DATA X10M, X1M, X100K, X10K		LOW N-DATA X1K, X100Hz, X10Hz	
DISPLAY FREQUENCY	N-DATA	DISPLAY FREQUENCY	N-DATA
0.10MHz	3960	0Hz	23000
0.11MHz	3961	10Hz	23001
0.12MHz	3962	20Hz	23002
0.13MHz	3963	50Hz	23005
0.14MHz	3964	100Hz	23010
0.15MHz	3965	1kHz	23100
1MHz	4060	2kHz	23200
10MHz	4950	3kHz	23300
20MHz	5950	4kHz	23400
30MHz	6950	5kHz	23500
		9.99kHz	23999

N-DATA OUTPUT TIMING DIAGRAM



*CPS pulse intervals are measured with a 4MHz clock.

Fig. 17

4 - 5 - 5 MATRIX UNIT

The MATRIX UNIT consists of a matrix board, matrix switch board, and mode switch board. It processes the front panel matrix input and transmit and receive data.

MATRIX TABLE

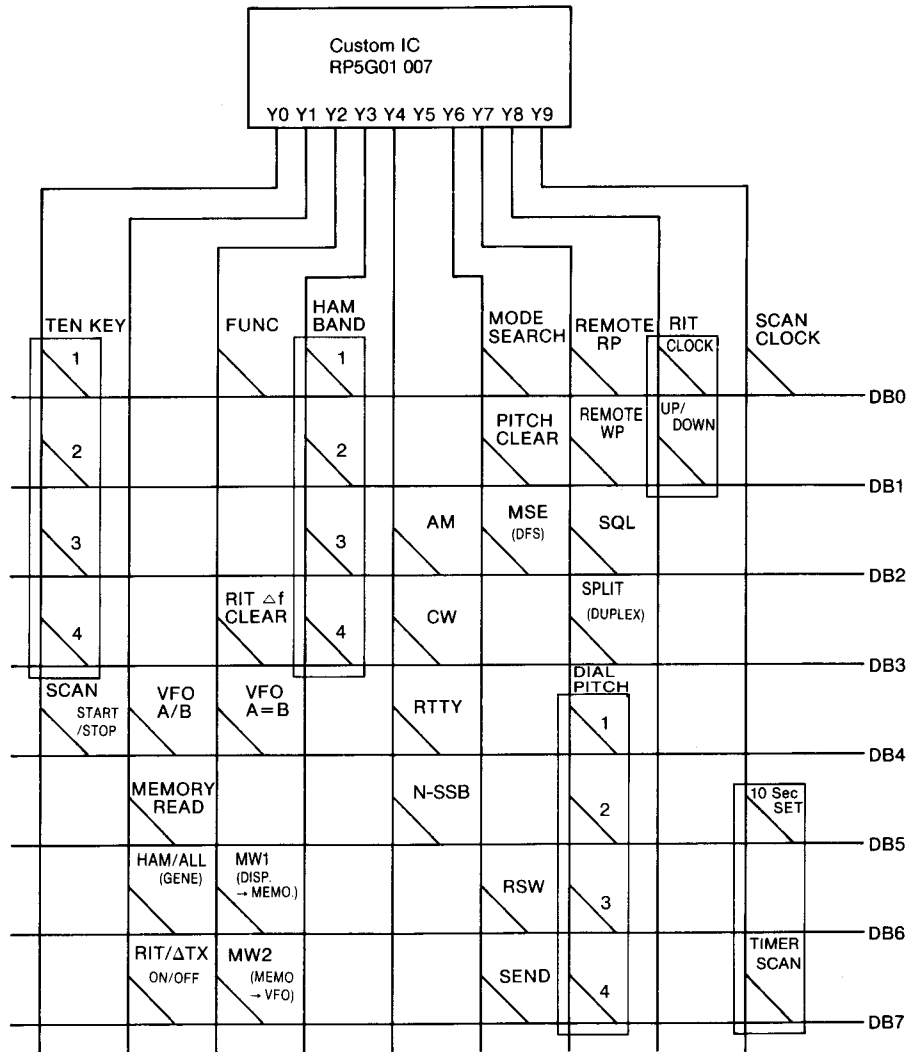


Fig. 18

(1) Y0→DB0-DB3 (TEN KEY)

Following is a matrix for frequency settings and band changing through the use of an external RC-10 ten key unit (optional).

Y0- KEY	D B 0	D B 1	D B 2	D B 3	BAND	HEX CODE
1	1	0	0	0	1.9	1
2	0	1	0	0	3.5	2
3	1	1	0	0	7	3
4	0	0	1	0	10	4
5	1	0	1	0	14	5
6	0	1	1	0	18	6
7	1	1	1	0	21	7
8	0	0	0	1	24	8
9	1	0	0	1	28	9
0	0	1	0	1	—	A
CE	1	1	0	1	—	B
ENT	0	0	1	1	—	C

(2) Y0→DB4 (SCAN START/STOP)

This matrix starts and stops the scan. It is controlled by the [SCAN] SWITCH and also by the [SQUELCH] CONTROL and the DIAL LOCK SWITCH through IC2(b) and Q3. When the [SCAN] SWITCH is pushed, one pulse signal is input to this matrix to repeatedly start and stop the scan operation.

Three types of scanning operations (MEMORY SCAN, PROGRAMMED SCAN, and SELECTED MODE SCAN) are available. During VFO operation, PROGRAMMED SCAN is automatically selected; during the memory channel operation, MEMORY SCAN is selected. R14 on the LOGIC UNIT adjusts the scanning speed. S10 reactivates the scan if it is interrupted when the squelch is open.

(3) Y1→DB4 (VFO A/B)

This matrix selects VFO A or VFO B via the [VFO] SWITCH. When VFO B is selected, pin 20 of the CPU becomes HIGH. Operation mode, frequency, and ham/general selections are stored independently in each mode.

(4) Y1 – DB5 (MEMORY READ)

This matrix selects a VFO mode or memory channel mode when it is switched by the [VFO/M] SWITCH. Pin 22 of the CPU is HIGH when the memory channel mode is selected. There are 32 memory channels available for storage of mode, frequency, and ham/general data.

(5) Y1 – DB6 (HAM/GENERAL)

This matrix selects the ham band mode or general coverage mode via the [HAM/GENE] SWITCH.

(6) Y1 – DB7 (RIT ON/OFF)

This matrix turns ON and OFF the receive circuit via the [RIT/ΔTX] SWITCH. The binary counter IC1(b), IC1(a) outputs receive signals from pins 13 and 1 respectively when the [RIT/ΔTX] SWITCH is turned ON.

Output signals pass through the OR gate of R13 and D15 and are fed to a one-shot circuit consisting of IC4(b), R14, and C5. This circuit outputs a pulse signal to Q8 which turns ON the RIT matrix (Y1–DB7). The XRO output from pin 44 then becomes HIGH and turns on the receive circuit. When no receive input signal is applied, XRO outputs no signal to turn ON the reset circuit (which consists of IC3(c), IC4(c), D14, R3, and C1). Thus the receive circuit is turned OFF by IC1(b), IC1(a).

Digital transistors Q4 and Q5 turn ON and OFF the receive and transmit indicators on the DISPLAY UNIT. When both pin 1 (ΔTX) and pin 13 (RIT) of IC1 are OFF and the RIT setting of the CPU is ON, the matrix reset circuit (consisting of IC3(c), IC3(d), IC5(c), IC3(a) and IC3(b)) drives IC4(b) which switches the CPU RIT matrix ON and OFF, matching the condition of the CPU and the front panel display. The RIT matrix is turned ON and OFF by the multi-vibrator of IC3(a) and IC3(b).

RIT/ΔTX CIRCUIT

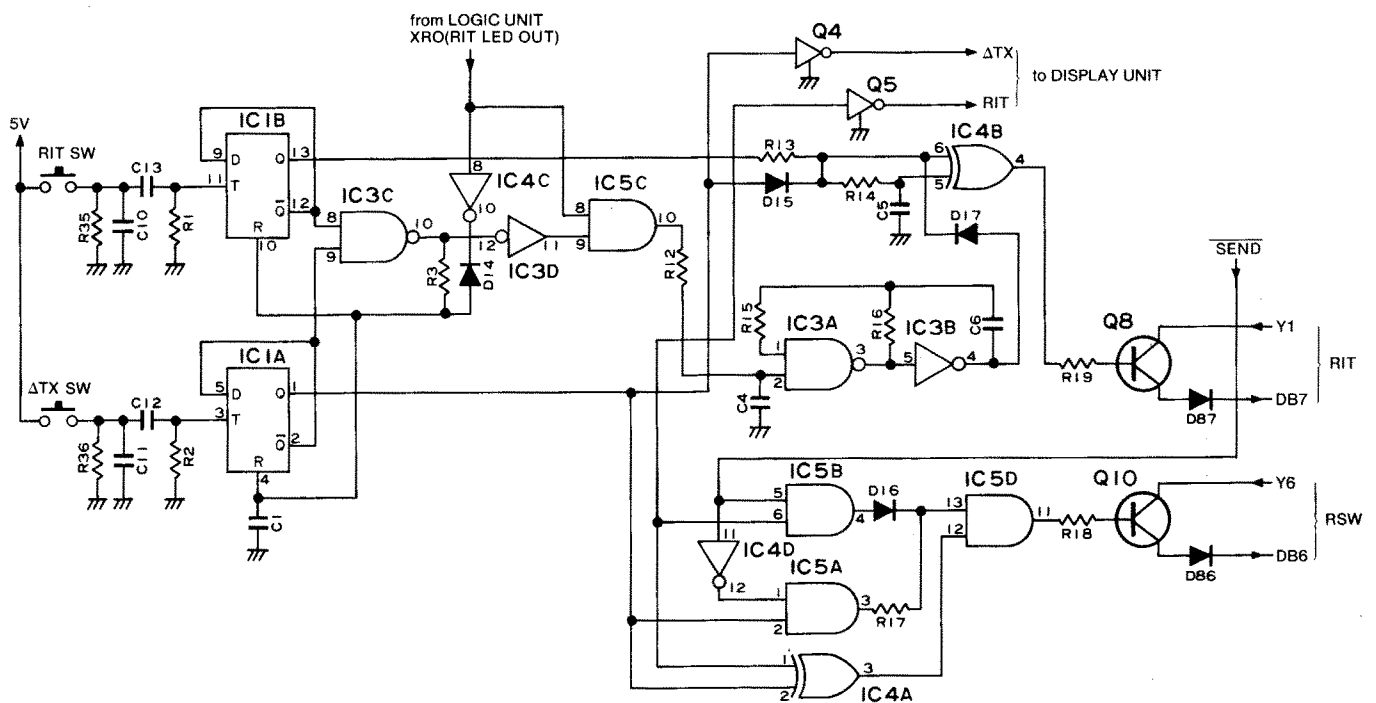


Fig. 19

(7) Y2 – DB0 (FUNCTION)

This matrix selects a function by combining switches as shown in the following table.

COMBINATIONS	FUNCTION
FUNC + A M	Selects FM mode.
FUNC + C W	Selects CW-NARROW mode.
FUNC + RTTY	Selects RTTY-NARROW mode.
FUNC + SSB	Selects reverse side band. (LSB or USB).
FUNC + A = B	Selects VFO transfer direction. (A → B or B → A)
FUNC + CLEAR	Adds RIT/ΔTX Δf to display frequency.
FUNC + WRITE	Clears (blanks) the displayed memory channel frequency.
FUNC + M ▶ VFO	

(8) Y2 – DB3 (RIT/ΔTX CLEAR)

This matrix clears the receive/transmit shift frequency. When combined with the [FUNCTION] SWITCH, the shift frequency is added to or subtracted from the displayed frequency.

(9) Y2 – DB4(VFO A = B)

This matrix transfers the frequency of VFO A to VFO B. When combined with the [FUNCTION] SWITCH the original VFO is reversed. See table on p. 4-17.

SWITCH CONDITION	A = B
VFO A is in use.	VFO A → VFO B
VFO B is in use.	VFO B → VFO A

(10) Y2 → DB6-DB7

(DISPLAY → MEMORY/MEMORY → VFO)

This matrix is for memory write and the memory data transfer by the [WRITE] and [M▶VFO] SWITCHES. When combined with the [FUNCTION] SWITCH the data in the displayed memory channel is cleared and the channel is blanked.

SWITCH CONDITION	PUSH	FUNCTION
VFO A or VFO B is in use	WRITE	Transfers the VFO frequency to the selected memory channel.
	M ▶ VFO	Transfers the selected memory channel frequency to the VFO.
MEMORY CHANNEL MODE is in use	WRITE	Transfers the displayed frequency to the selected memory channel.
	M ▶ VFO	Transfers the displayed frequency to the VFO previously used.

(11) Y3 → DB0-DB3 (HAM BAND)

This matrix switches the TUNING CONTROL to a band selected by the [BAND] SWITCH. When the [HAM/GENE] SWITCH is at the [GENE] position the frequency is changed in 1MHz increments.

This matrix selects the operation mode when combined with a mode switch or the [FUNCTION] SWITCH. The display frequency is shifted depending on the selected operation mode as shown in the table below.

BAND (MHz)	INITIALIZED FREQUENCY	DB0	DB1	DB2	DB3
1.9	1,900.0	1	0	0	0
3.5	3,550.0	0	1	0	0
7	7,050.0	1	1	0	0
10	10,050.0	0	0	1	0
14	14,050.0	1	0	1	0
18	18,050.0	0	1	1	0
21	21,050.0	1	1	1	0
24	24,550.0	0	0	0	1
28	28,050.0	1	0	0	1

(12) Y4 → DB2 (AM)

(13) Y4 → DB3 (CW)

(14) Y4 → DB4 (RTTY)

(15) Y4 → DB5 (SSB)

FREQUENCY DIFFERENCES IN VARIOUS MODES

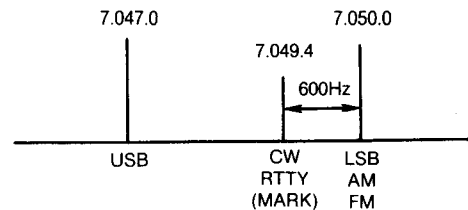


Fig. 20

(16) Y6 → DB0 (MODE SEARCH)

This matrix is for the SELECTED MODE SCAN and is activated by the [MODE-S] SWITCH. Only the memory channels with the desired operation mode are selected in this scan.

(17) Y6 → DB1 (PITCH CLEAR)

This matrix sets the frequency increment to 1kHz in all modes by the [TS] (Tuning Step) SWITCH. When the [TS] SWITCH is ON, the matrix at Y7→DB4 is also turned ON.

(18) Y6 → DB2 (DFS)

This matrix is for dial function selection as set by the [DFS] SWITCH. Refer to the following table.

DFS SWITCH CONDITION	OFF	ON
VFO A or VFO B is in use	Changes displayed frequency	Changes displayed memory channel number
MEMORY CHANNEL MODE	Selects a memory channel (its frequency is displayed)	Changes displayed frequency

(19) Y6 → DB6 (RSW)

This matrix resets RIT data or outputs N-data. IC4(a), IC4(b), IC5(a), IC5(b), IC5(d), R17 and D16 are for the RSW input circuit.

RIT SW	ΔTX SW	T/R	RSW MATRIX	REMARKS
OFF	OFF	RX	OFF	<ul style="list-style-type: none"> When RSW MATRIX is OFF, the operating frequency becomes the displayed frequency plus RIT/ΔTX Δf frequency. When RSW MATRIX is ON, the operating frequency is the displayed frequency.
		TX	OFF	
ON	OFF	RX	OFF	
		TX	ON	
OFF	ON	RX	ON	
		TX	OFF	
ON	ON	RX	OFF	
		TX	OFF	

(20) Y6 → DB7 (SEND)

This matrix is for transmit mode recognition for stopping scanning operations.

(21) Y7 → DB0 (REMOTE RP)

This matrix is for remote-control read pulses.

(22) Y7 → DB1(REMOTE WP)

This matrix is for remote-control write pulses.

(23) Y7 → DB2 (SQL)

This matrix inputs one pulse when the squelch is closed, and controls scanning operations.

(24) Y7 → DB3 (SPLIT/DUPLEX)

This matrix is for split or duplex operation using the VFO A or VFO B SWITCH and the [SPLIT] SWITCH.

(25) Y7 → DB4-DB7 (DIAL PITCH 1-4)

This matrix sets the frequency step tuning rate. The frequency step and the increments per rotation of the TUNING CONTROL in each setting are as follows:

TS	VFO	MEMORY MODE	BAND WIDTH
OFF	10Hz steps (2kHz/1 rotation) By faster rotation 50Hz steps (10kHz/1 rotation)	8CH/1 rotation	HAM: 8 BAND/1 rotation
ON	1kHz steps (200kHz/1 rotation) 100Hz and lower digits will be cleared as "0".		GENE: 8MHz/1 rotation

Y7 → DATA				STEPS and BAND
DB4	DB5	DB6	DB7	
0	0	0	0	10Hz
0	1	1	1	50Hz
1	0	0	0	1kHz
1	0	1	1	BAND

(26) Y8 → DB0-DB1 (RIT: CLOCK, UP/DOWN)

This is a data matrix for RIT which is processed by IC2 on the LOGIC UNIT.

(27) Y9 → DB0 (SCAN CLOCK)

This matrix is for the scan control clock formed by the circuit of Q4, IC7(b), and R14 on the LOGIC UNIT.

(28) Y9 → DB5 and DB7 (10 sec. SET/TIMER SCAN)

This matrix is for setting a 10-second timer which allows the transceiver to resume scanning after stopping. The matrix Y9→DB7 is ON while the timer scan is operating.

4 - 6 DISPLAY UNIT

This unit consists of the display tube and its drivers, and a DC-DC converter section.

DISPLAY UNIT CIRCUIT

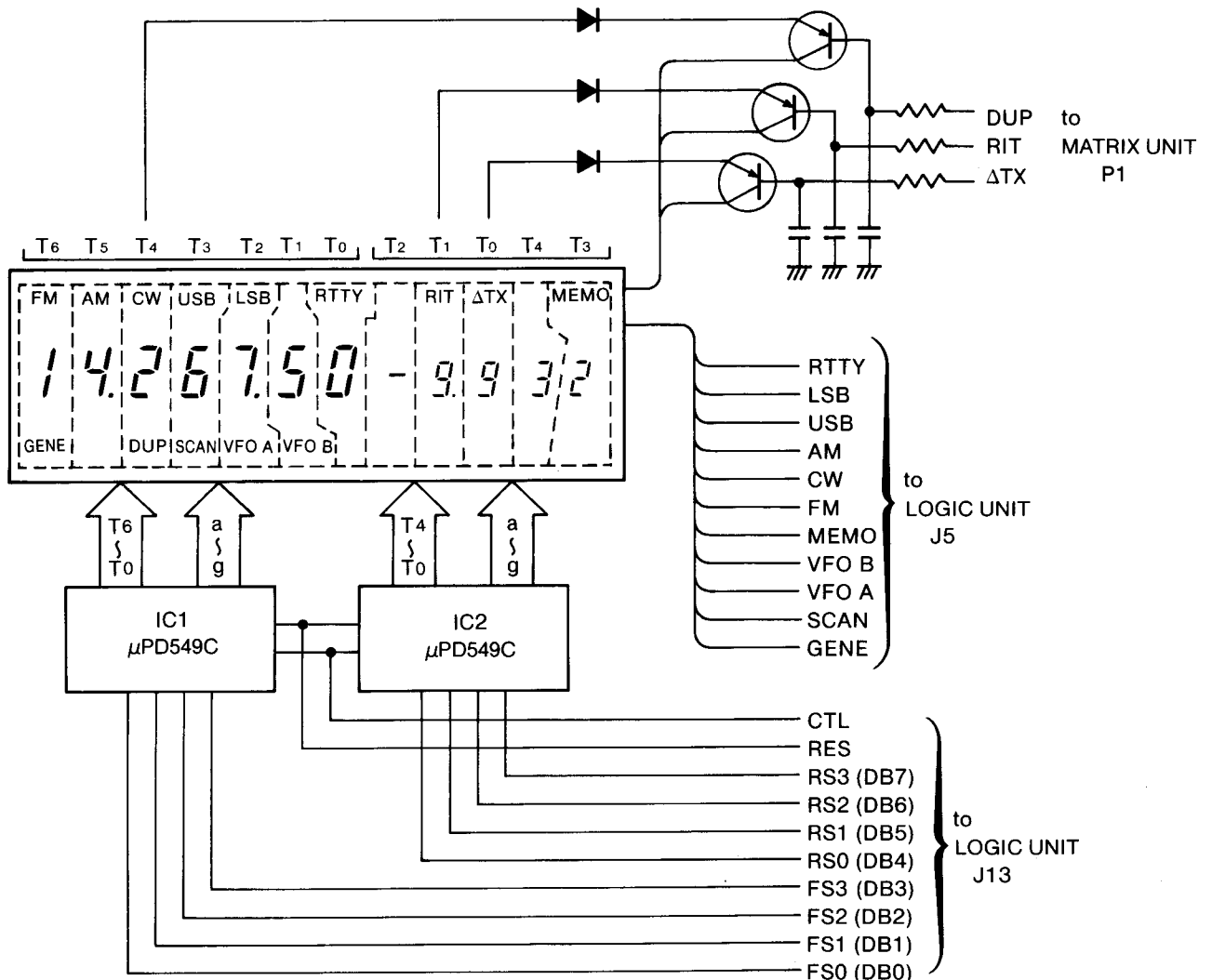


Fig. 21

The display illuminates centralized information of frequency, mode, transmit and receive conditions, memory channel, operating mode (VFO A, VFO B, GENE, DUP, SCAN), etc. The operating conditions of the transceiver can be easily understood because of this centralized display. The display lights up in two colors, red and white, using color filters. LEDs for the transmit and receive indicators and the narrow selection in CW and RTTY modes are also a part of this unit.

(a) DISPLAY SECTION

DS1, the luminescent display tube, is driven by drivers IC1 and IC2, and lights dynamically. These ICs contain such functions as input data latch, clock oscillator, timing

counters, and segment decoders. The clock frequency is set by C2 and C6.

Displays for the receive and transmit shift frequencies and memory channels are driven by IC2. Other displays are driven by IC1.

Signals for the display of RTTY through GENE are sent from the LOGIC UNIT to each segment. These are switched by digit signals T0~T6 from IC1 and T3 from IC2. The transmit, receive, "—", and "DUP" INDICATORS are connected to the same digit in the tube, so each indicator is selected by T4, T1, and T0 digit signals and light up dynamically.

DISPLAY DATA TIMING CHART

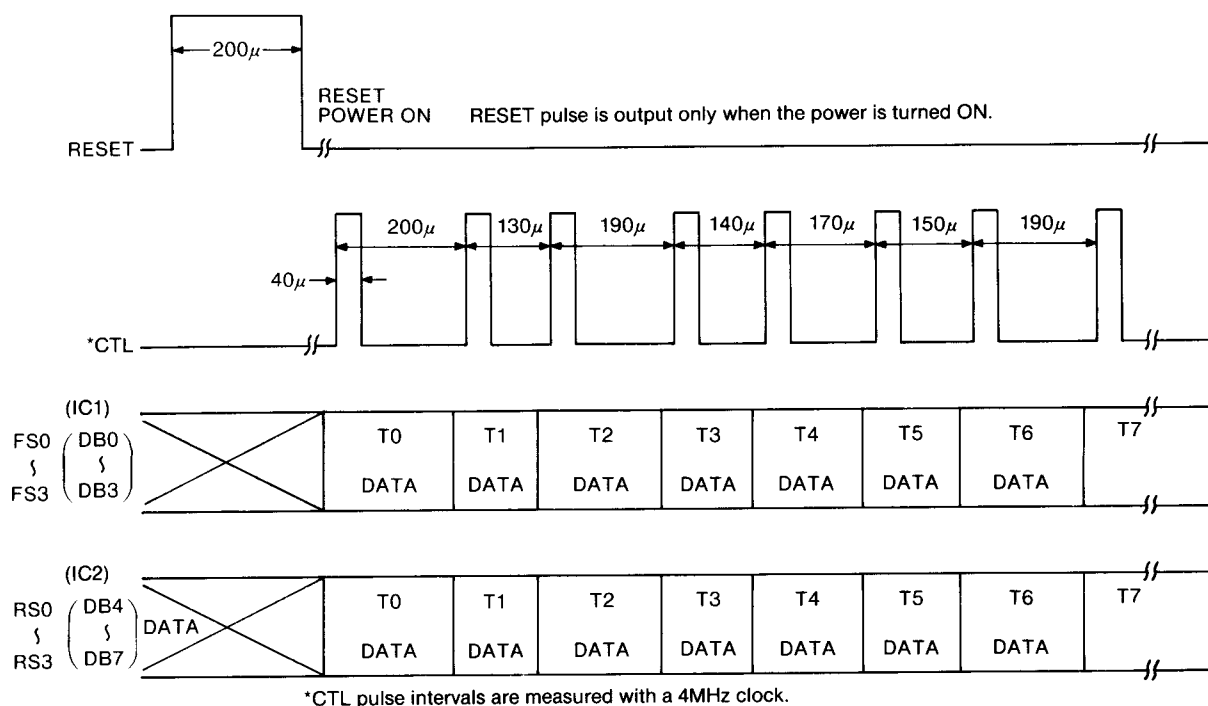


Fig. 22

(b) DC-DC CONVERTER SECTION

The +5V voltage source is produced from 13.8V, a voltage regulator.

The DC-DC converter is composed of Q4, Q5, and T1, and generates rectangular pulses of about 15kHz. The pulses are applied to T1 to obtain -5V, -35V, 3.5V AC from the corresponding coils.

Except for 3.5V AC which is provided for the filament of the display tube, all the voltages are rectified for DC voltages. As for -5V, the rectified DC-DC converter output is regulated by IC4 and is supplied to IC1, IC2, and the MAIN UNIT.

Q6~Q8 comprise a circuit which keeps the display OFF for about 2 seconds before the initial reset is completed when the power is turned ON. Immediately after the power is turned ON, Q6 through Q8 are OFF and -35V is not output. When data (CTL) is supplied from the LOGIC UNIT as resetting is completed, Q8 is turned ON, and then Q6 and Q7 are turned ON for -35V output for the display.

Q6, Q7, D19, and R41 form a latch circuit, ensuring that once the circuit is turned ON it will keep providing -35V. R42, C21 and C22 are installed to prevent circuit errors.

4 - 7 OTHER CIRCUITS

4 - 7 - 1 ENC 1 AND ENC 2 UNITS

Pulse signals (SV) from the rotary encoder are fed into transistors QA and QB.

When the T1 SV signal is "LOW", QA and QB are turned OFF and output from QB is "HIGH". When the T2 SV signal is "HIGH" QA and QB are turned ON and output from QB is "LOW".

4 - 7 - 2 RELAY UNIT

The RELAY UNIT is located on the LOGIC UNIT and stops relays on the FILTER UNIT while memory scan is operating. The scan signal appears from pin 29 on IC14 when memory scan is selected. This scan signal turns Q17, Q18 and Q19 OFF. The relays on the FILTER UNIT are controlled by IC15. When Q19 is turned OFF, all the transmit relays are turned OFF and are silent.

4 - 7 - 3 KEYSER UNIT

The KEYSER UNIT employs an electronic keyer circuit and a cooling fan control circuit.

(a) DOT, DASH INPUTS AND ELECTRONIC KEYSER OUTPUT

When IC1 receives a dot signal at pin 1, IC1 outputs a DOT and SPACE (ratio is 1:1). If IC1 receives the next dot signal during output of the first DOT and SPACE, IC1 outputs only the first DOT and SPACE.

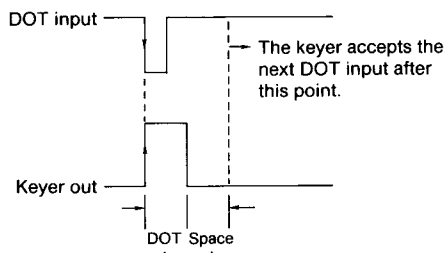


Fig. 23

When IC1 receives a dash signal at pin 2, IC1 outputs a DASH and SPACE (ratio is 1:3). If IC1 receives the next dash signal during output of the first DASH and SPACE, IC1 outputs only the first DASH and SPACE.

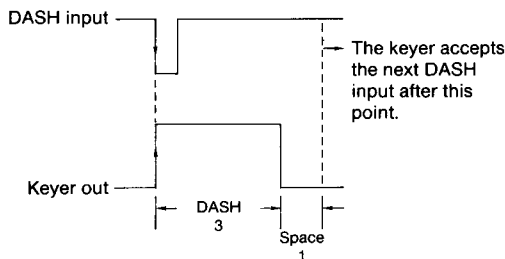


Fig. 24

If IC1 receives a dash signal during a DOT and SPACE output, IC1 outputs a DASH and SPACE after the DOT and DASH output. This is called the DASH MEMORY.

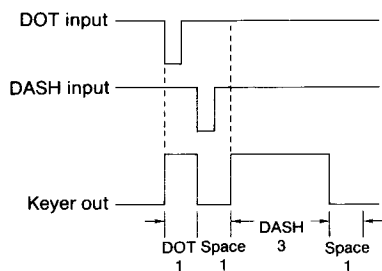


Fig. 25

If IC1 receives a dot signal during a DASH and SPACE output, IC1 outputs a DOT and SPACE after the DASH and SPACE output. This is called the DOT MEMORY.

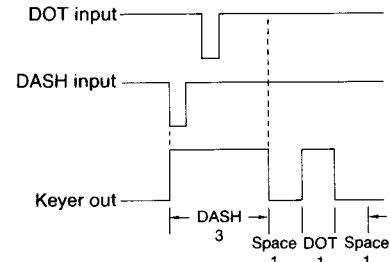


Fig. 26

If IC1 receives the DOT and DASH signal continuously as shown in Fig. 27, IC1 outputs the DOT and DASH alternately. This is called the IAMBIC FUNCTION.

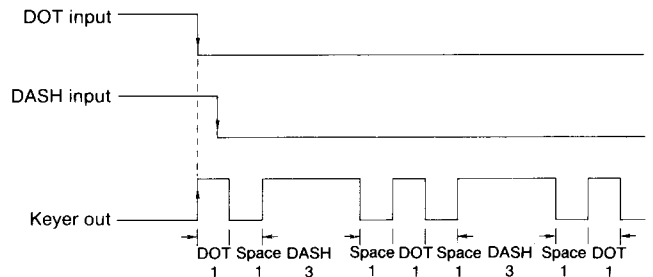


Fig. 27

(b) SPD

These terminals determine the speed of the DOT, SPACE and DASH.

(c) WEIGHT

These terminals determine the ratio of the DOT, SPACE, AND DASH (DOT: SPACE: DASH).

(d) FAN MOTOR CONTROL

Thermal switches S1 and S2 detect the temperature of output from Q4 and Q5 on the PA UNIT and control the cooling fan while decreasing output power.

If the temperature of the transceiver increases in transmit mode, S2 turns ON (at about 50°C) and the cooling fan starts to rotate. The fan continues to rotate even after receive mode is switched to, and will continue until the temperature drops below 50°C. Fan rotation is somewhat slower in receive mode than in transmit mode.

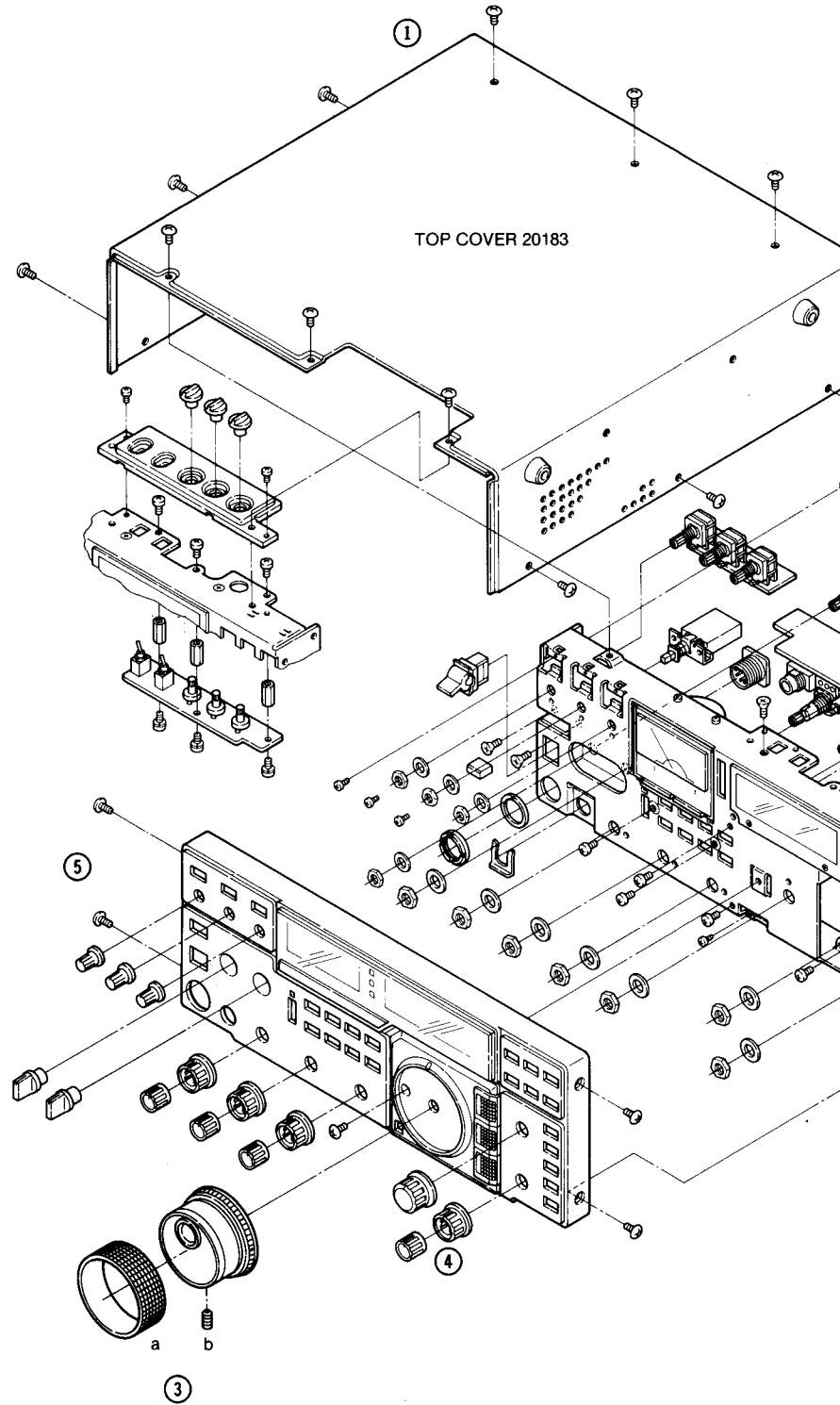
S1 turns ON if the temperature increases to about 90°C or more due to antenna mismatching or other problems. The rotation speed of the fan increases when S1 turns ON.

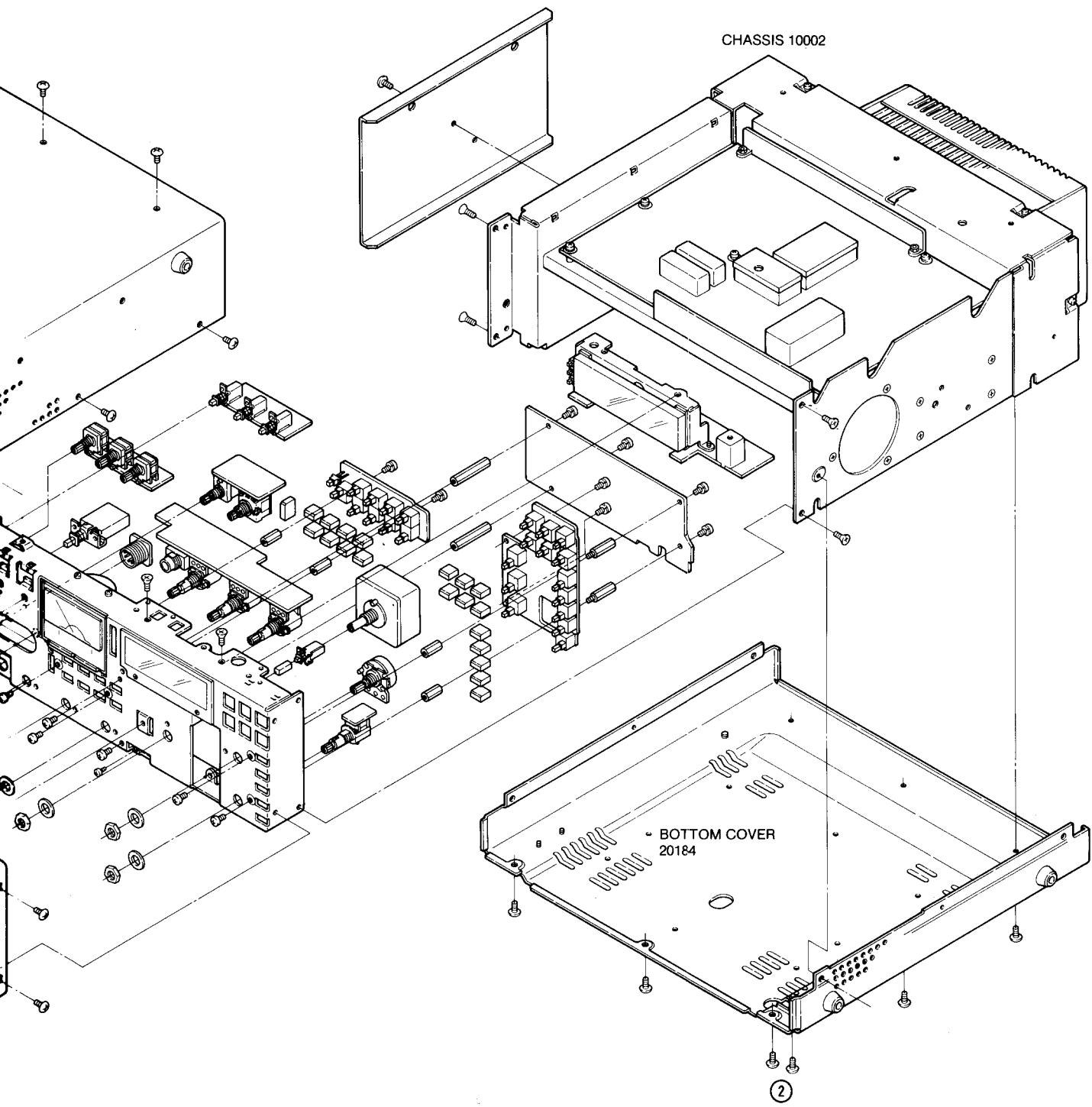
TEMPERATURE (°C)		~ 50	50 ~ 90	90 ~
THERMAL SWITCH	S1	OFF	OFF	ON
	S2	OFF	ON	ON
COOLING FAN SPEED	RECEIVE	OFF	SLOW	MED.
	TRANSMIT	OFF	MED. HIGH	HIGH

SECTION 5 DISASSEMBLY AND ASSEMBLY DIAGRAMS

5 - 1 FRAME DISASSEMBLY

- ① Remove the TOP COVER (12 set screws).
- ② Remove the BOTTOM COVER (6 set screws).
- ③ Remove the rubber grip (a) from the TUNING CONTROL and unscrew (b).
- ④ Remove the FRONT PANEL control knobs by pulling them forward.
- ⑤ Remove the 4 frame-holding screws, and then remove the FRONT PANEL FRAME by pulling it forward.





5 - 2 FRONT PANEL (1) DISASSEMBLY

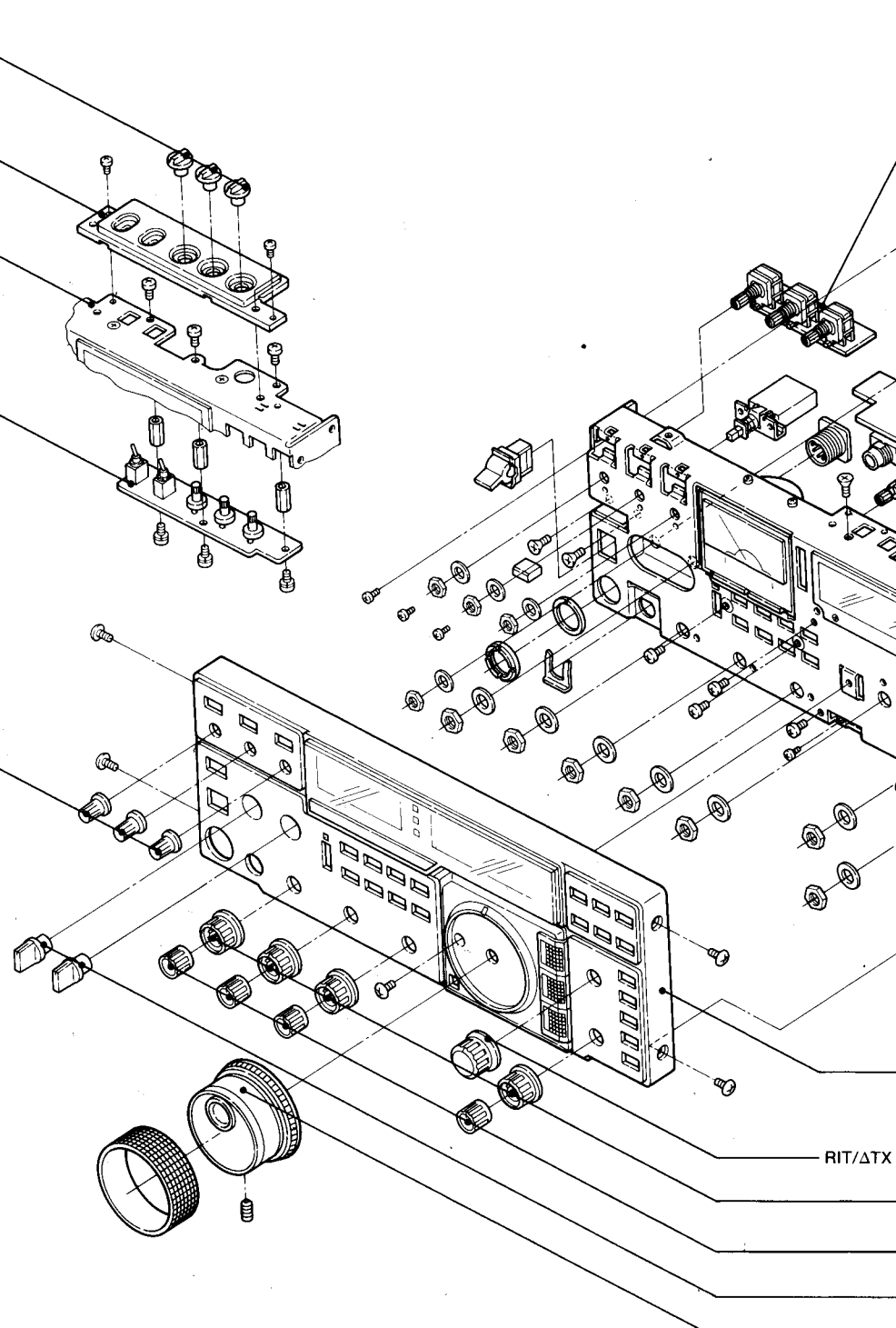
TOP COVER KNOBS N-62 42225

SWITCH PANEL 30304

SUB-CHASSIS 20185

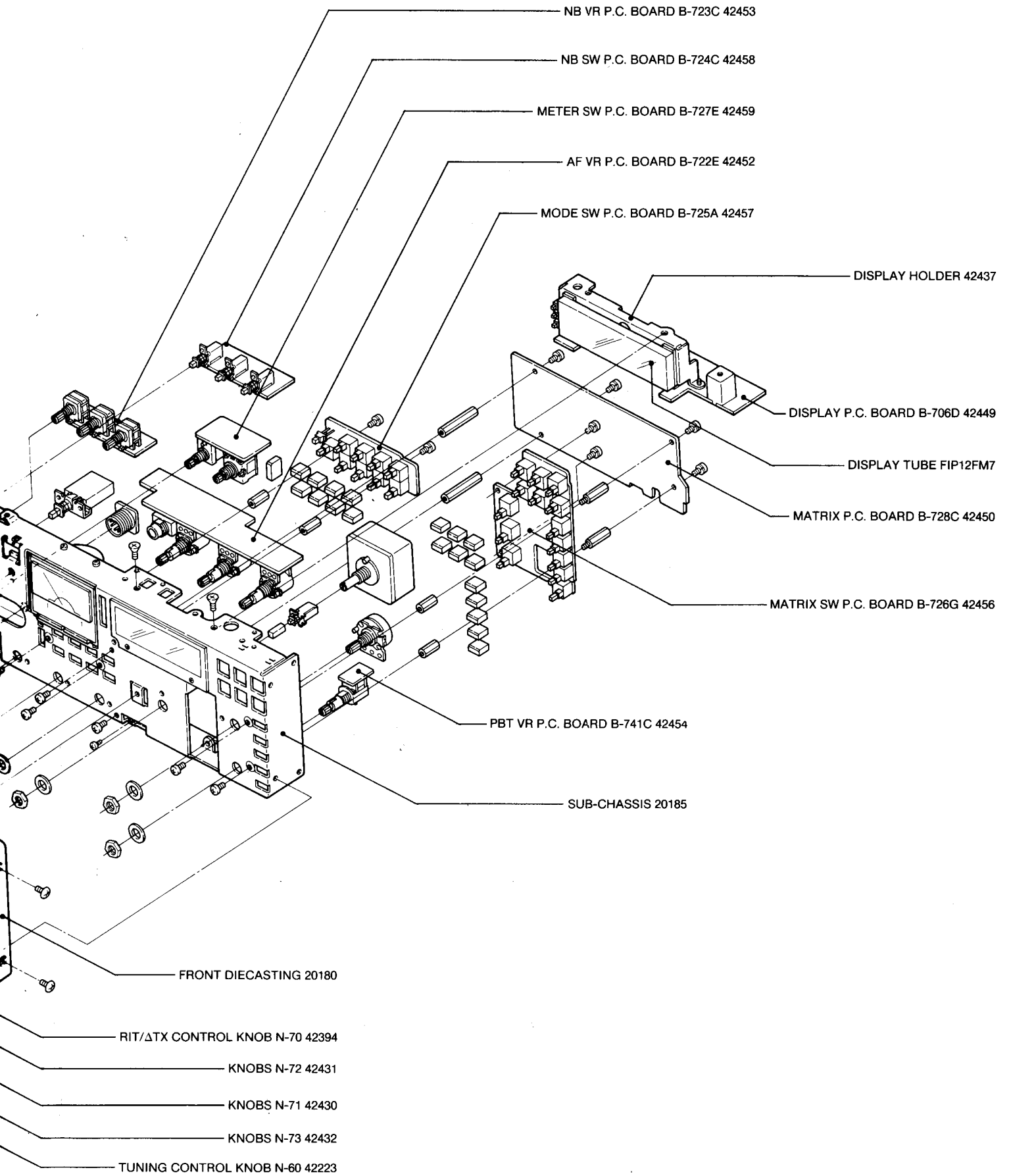
MARKER P.C. BOARD B-731E 42450

KNOBS N-74 42433



RIT/ΔTX

TUNING



5 - 3 FRONT PANEL (2) DISASSEMBLY

FUNCTION SWITCH SPPH11163A

BUTTONS K-27 (BROWN) 42427

SWITCHES SPPJ31116A

BUTTONS K-27 (SILVER) 42427

BUTTONS K-27 (GRAY) 42427

METER ROTARY SWITCH SRBU16003A

AGC ROTARY SWITCH SRRU13071A

VOX GAIN CONTROL RKBB21004A-10KB-500KC

VOX DELAY CONTROL RKBA11013A-1MB

NB LEVEL CONTROL RKBA11011A-1KB

AF/RF GAIN CONTROL RKDEB0008A-10KBx2

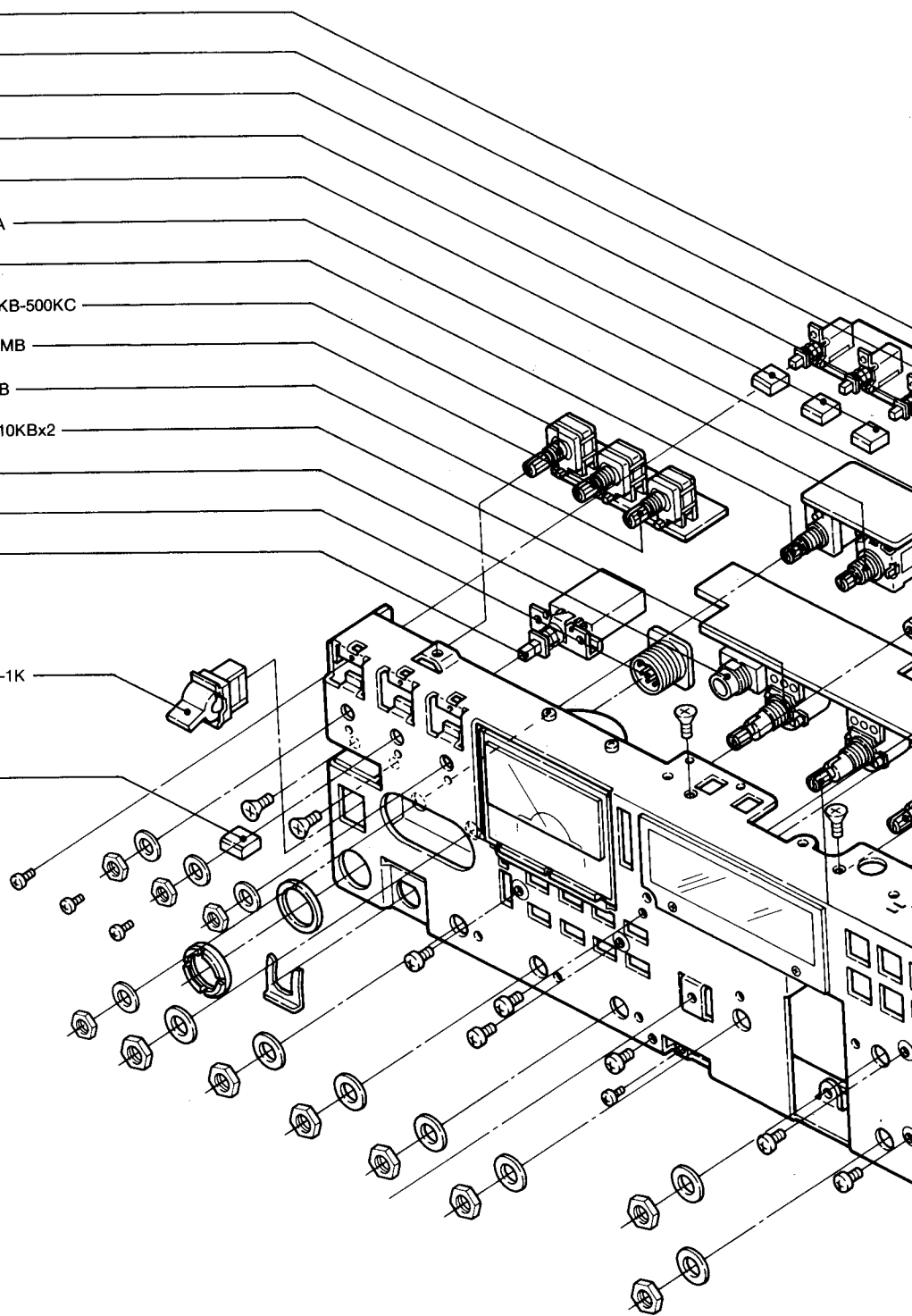
PHONES JACK HLJ4815-01-030

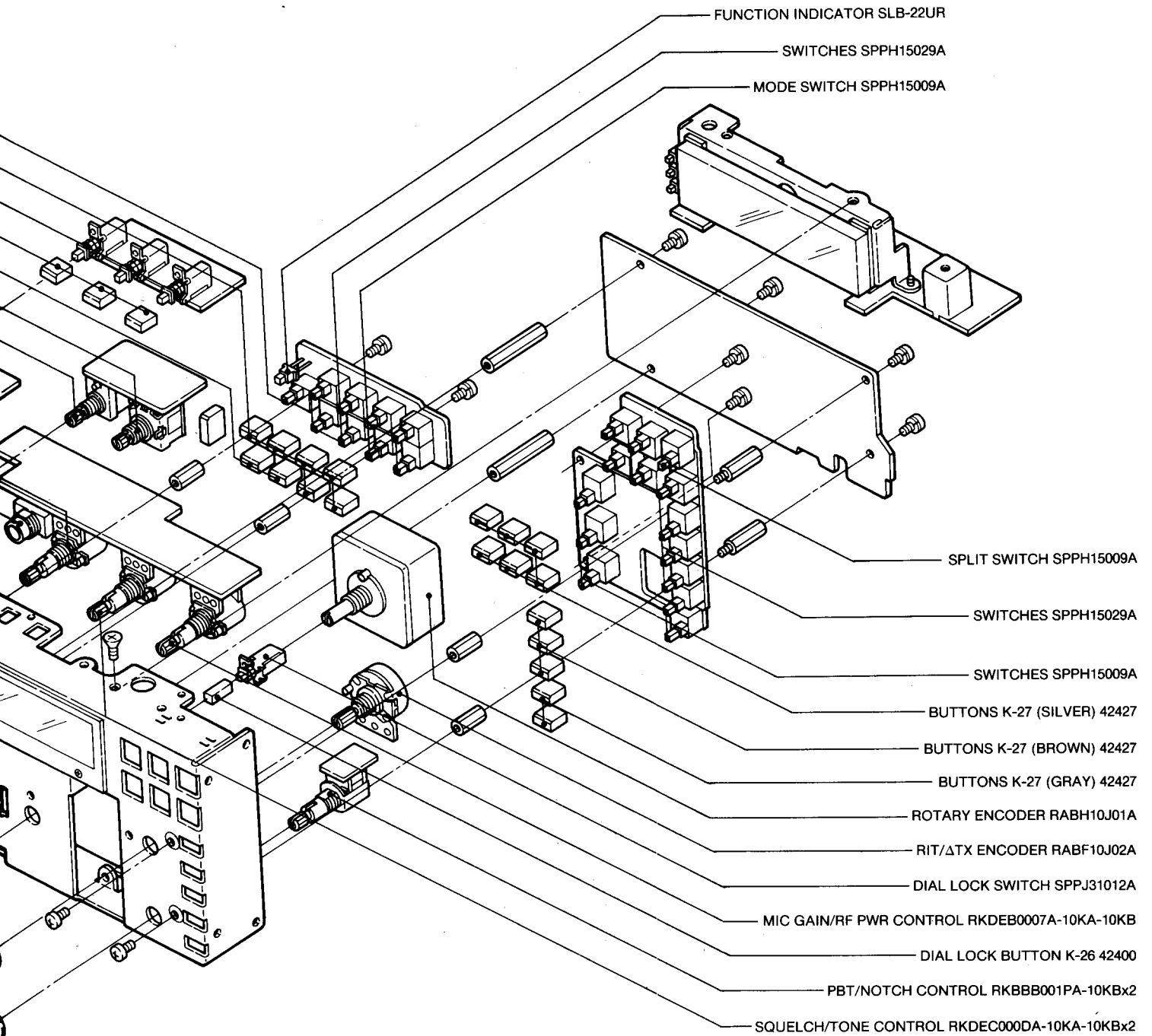
MIC CONNECTOR 8S-S-E

POWER SWITCH TW-0068

TRANSMIT/RECEIVE SWITCH M2012J-1K

POWER BUTTON K-25 42399





5 - 4 FRONT PANEL (3) DISASSEMBLY

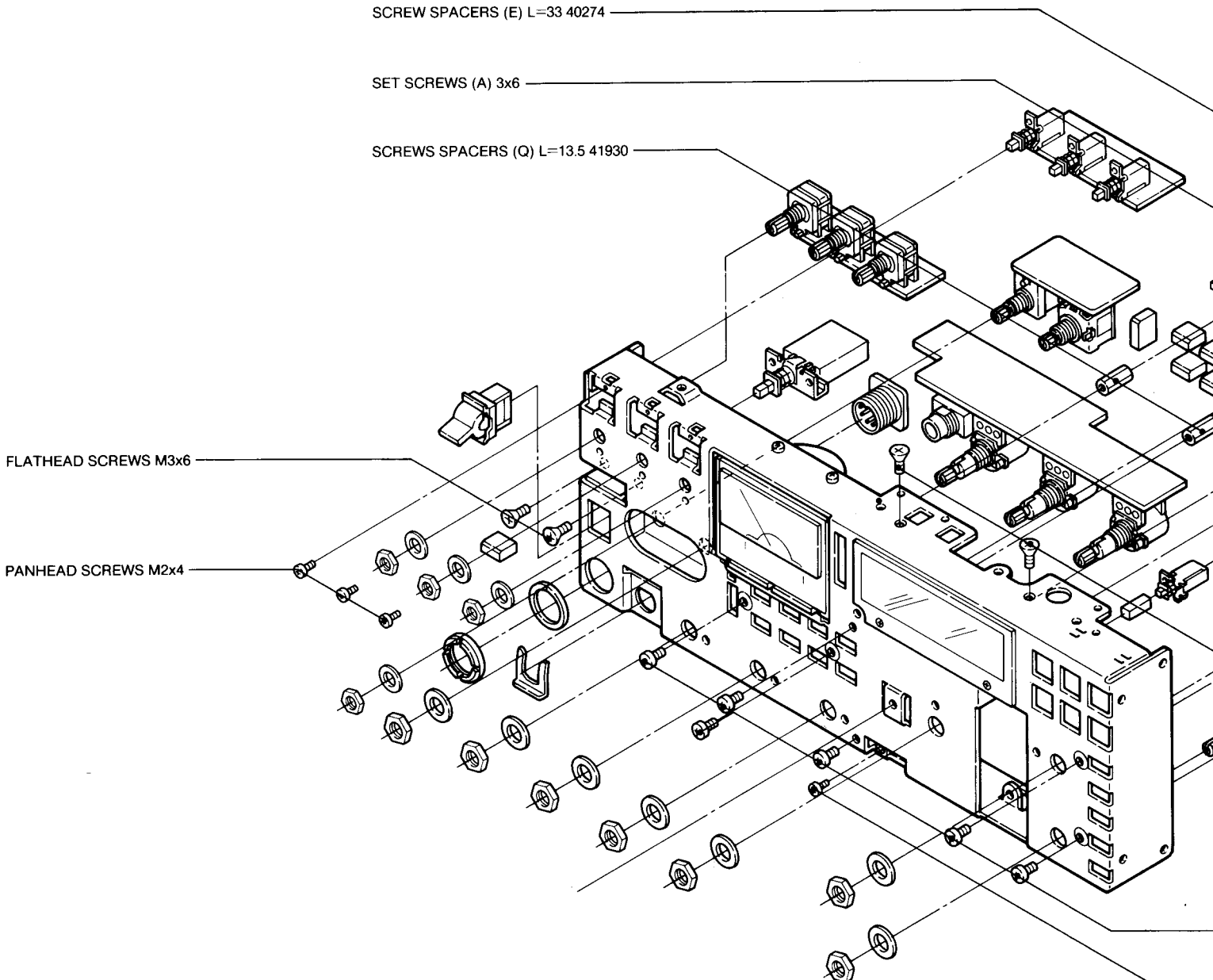
SCREW SPACERS (E) L=33 40274

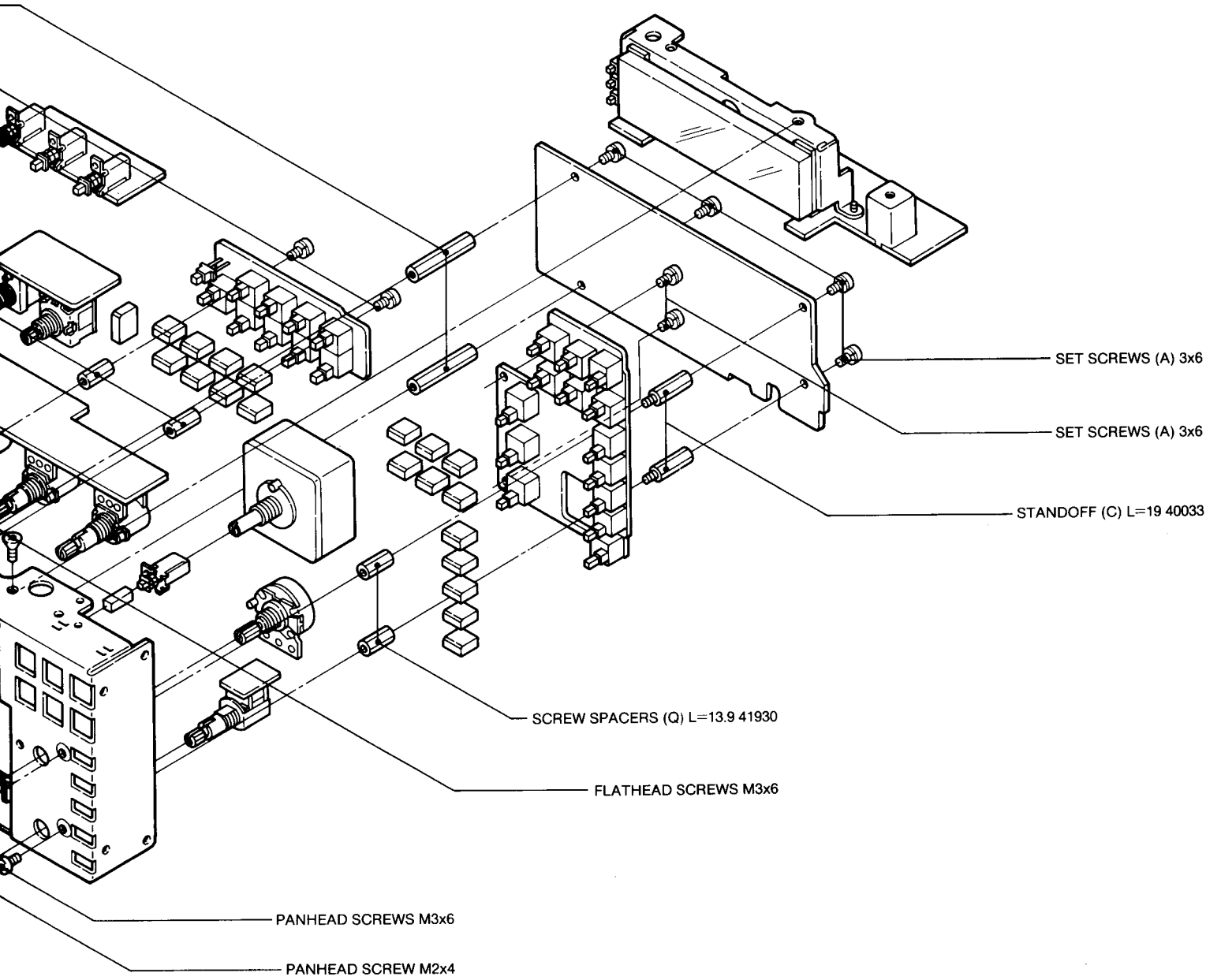
SET SCREWS (A) 3x6

SCREWS SPACERS (Q) L=13.5 41930

FLATHEAD SCREWS M3x6

PANHEAD SCREWS M2x4





5 - 5 REAR PANEL DISASSEMBLY

PANHEAD SCREWS (A) M2x2.3 (MOTOR SCREWS)

MOTOR BRACKET 42346

DC MOTOR M6B 12U22

CONNECTOR KC21-0060

PANHEAD SCREW M5x16 Ni

STAR WASHER M5

NUTS M3

GROUND TABS B-5

STAR WASHERS M3

REAR PANEL 30327

ANTENNA CONNECTOR FMMD-RM1

SET SCREWS (A) 3x8

SPRING WASHER M5

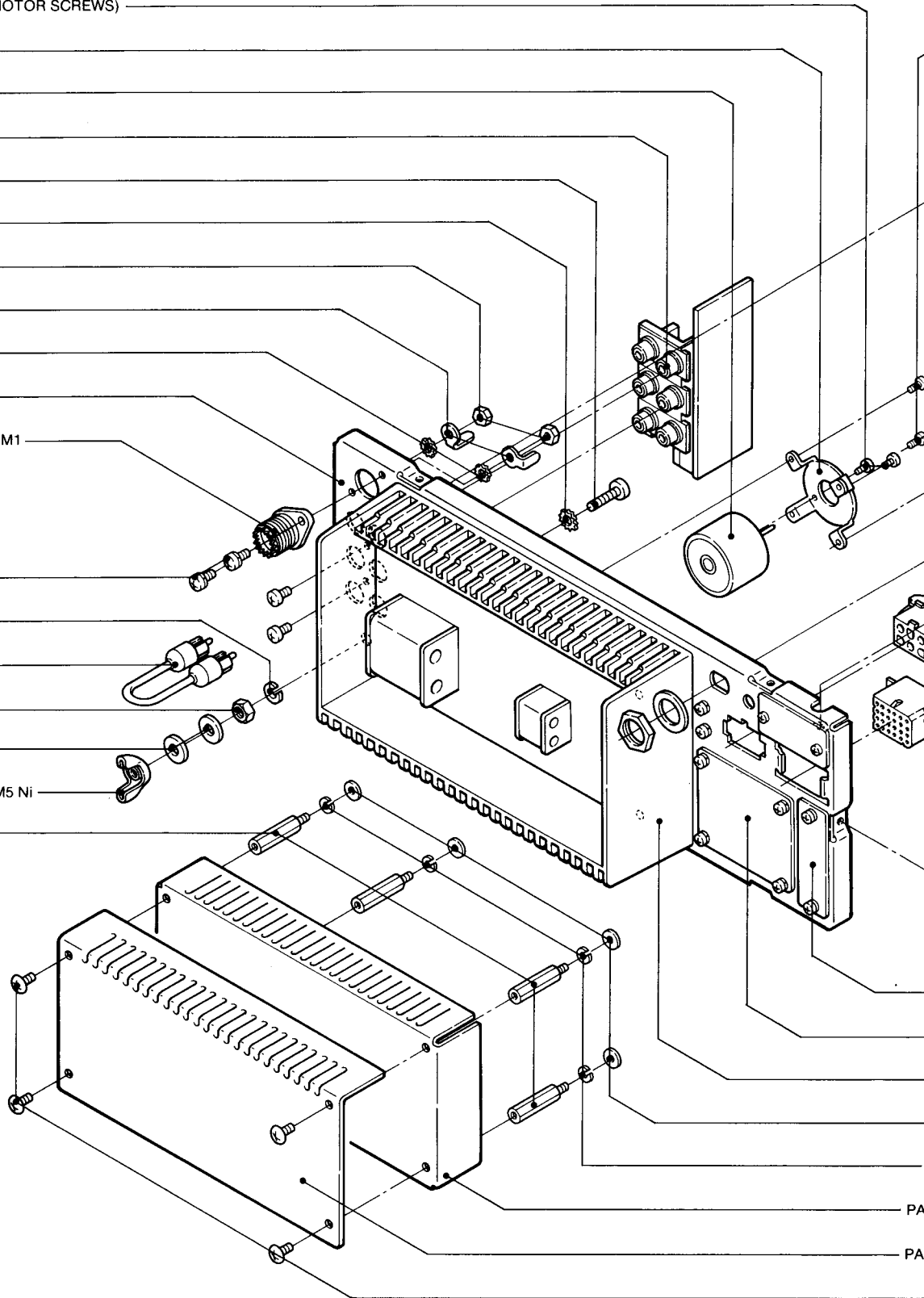
OPC-026

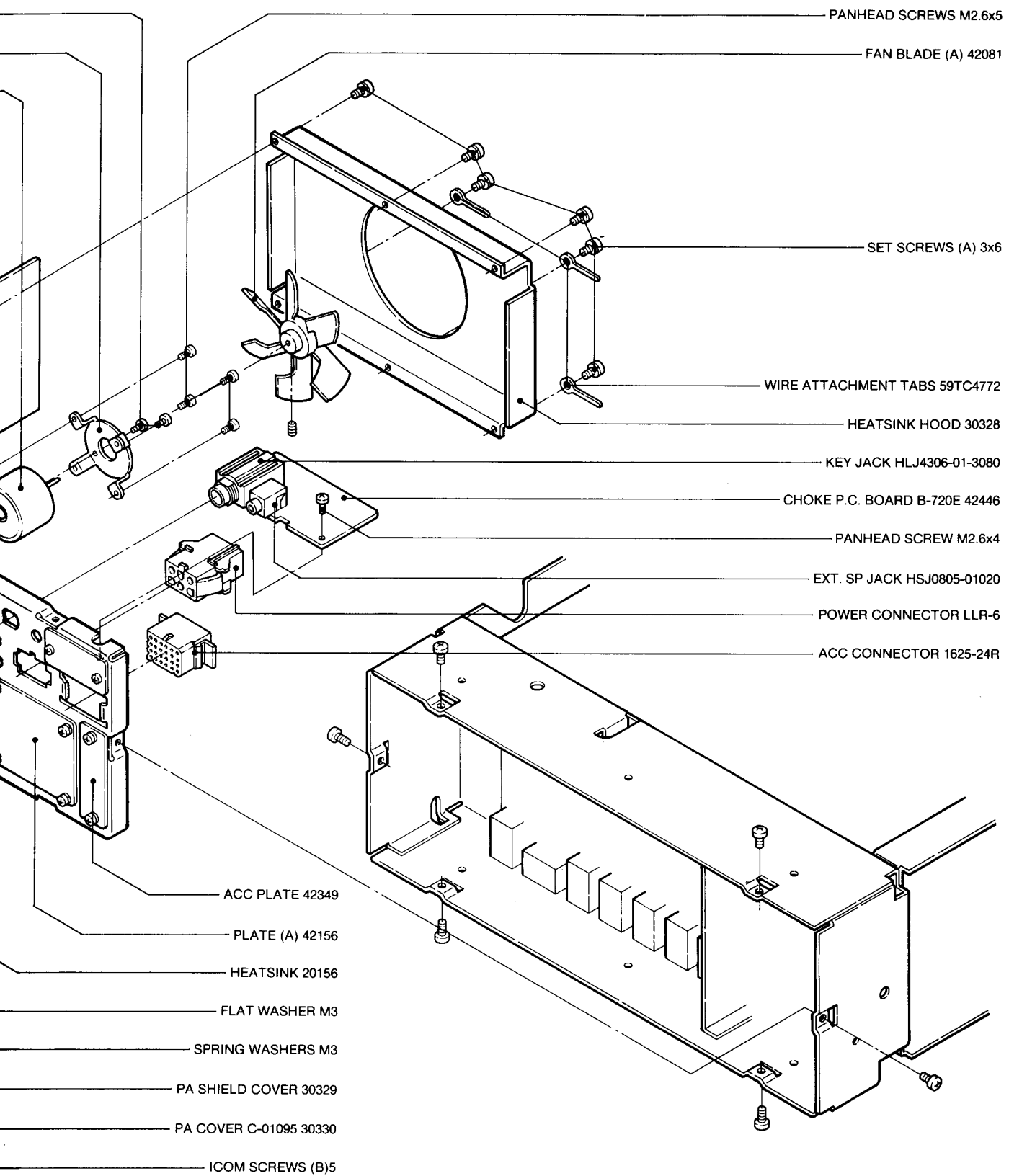
NUT M5 Ni

FLAT WASHERS M5 Ni

GROUND TERMINAL WING NUT M5 Ni

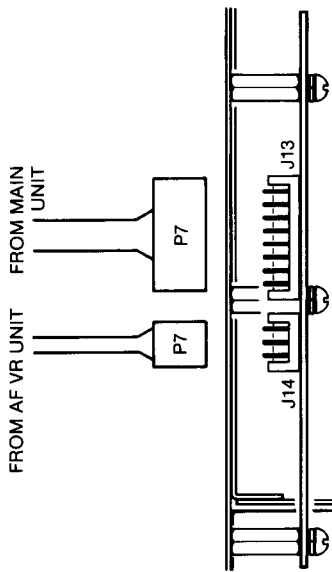
STANDOFF (J) 40033



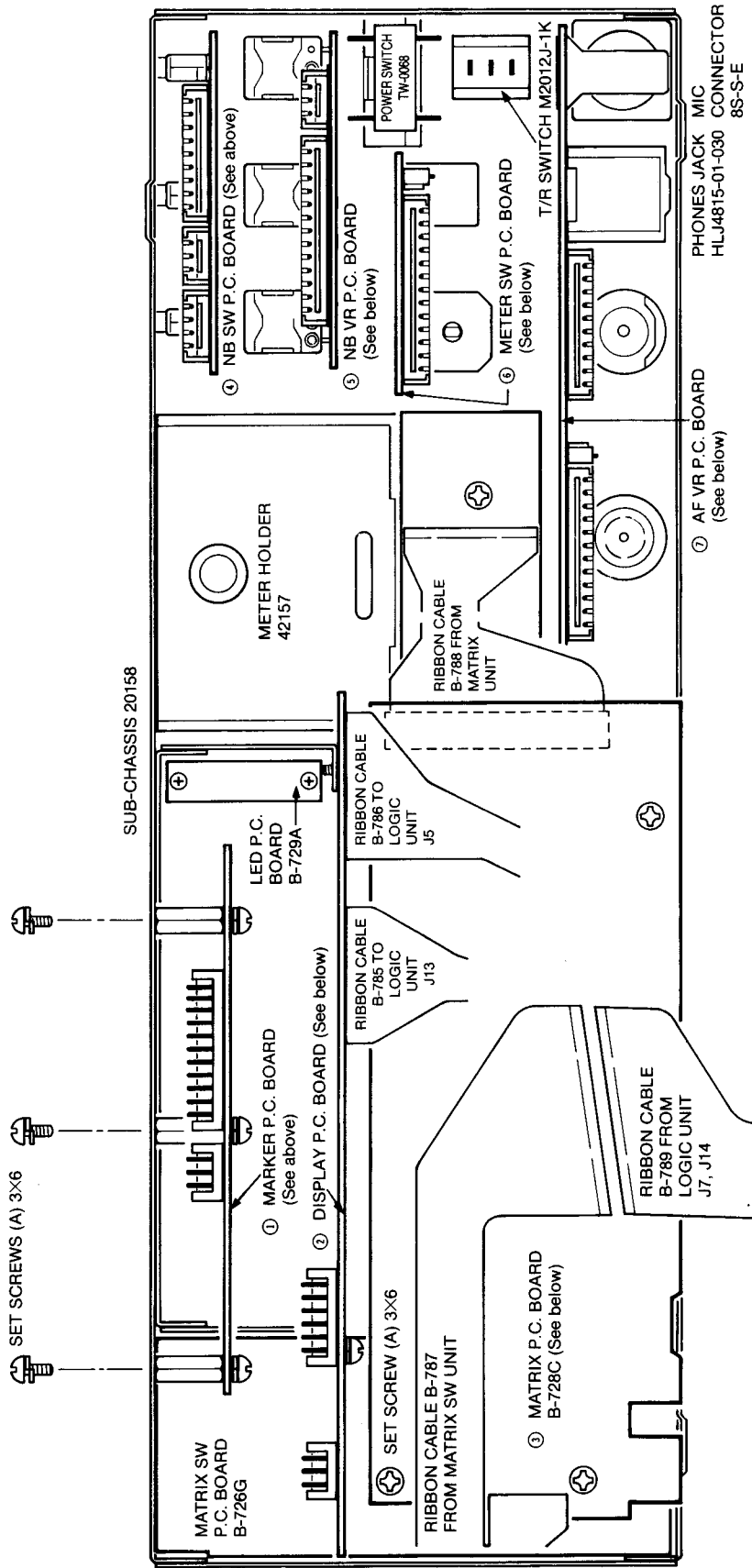
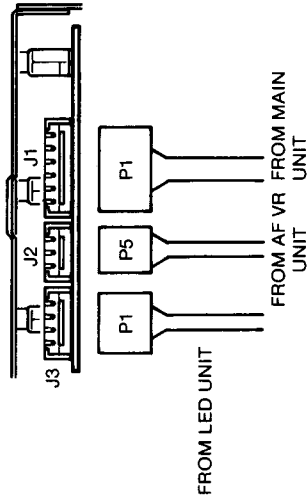


5 - 6 FRONT UNIT CONNECTOR ASSEMBLY

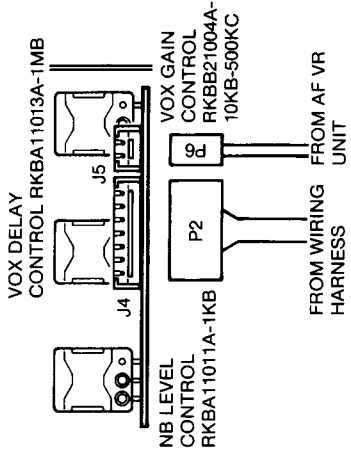
① MARKER P.C. BOARD B-731E



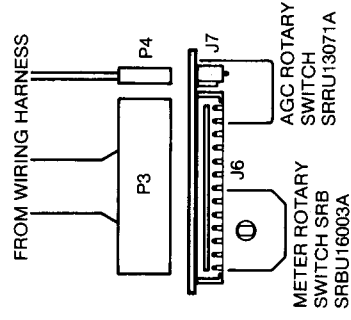
④ NB SW P.C. BOARD B-724C



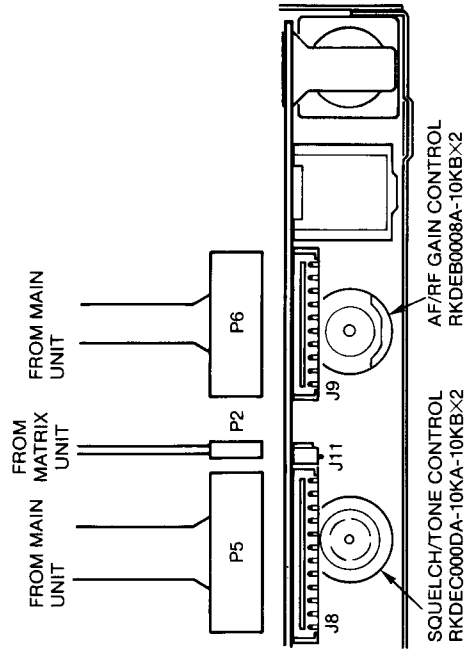
⑤ NB VR P.C. BOARD B-723C



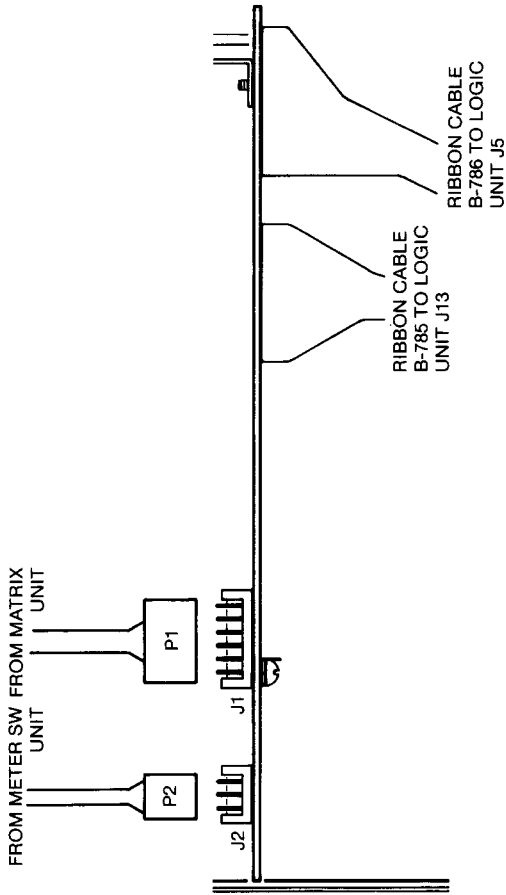
⑥ METER SW P.C. BOARD B-727E



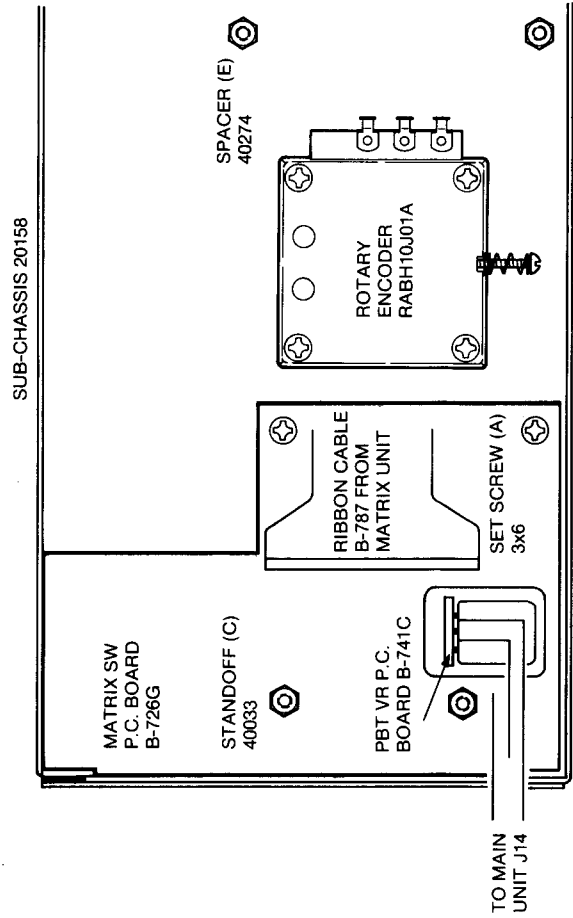
⑦ AF VR P.C. BOARD B-722E



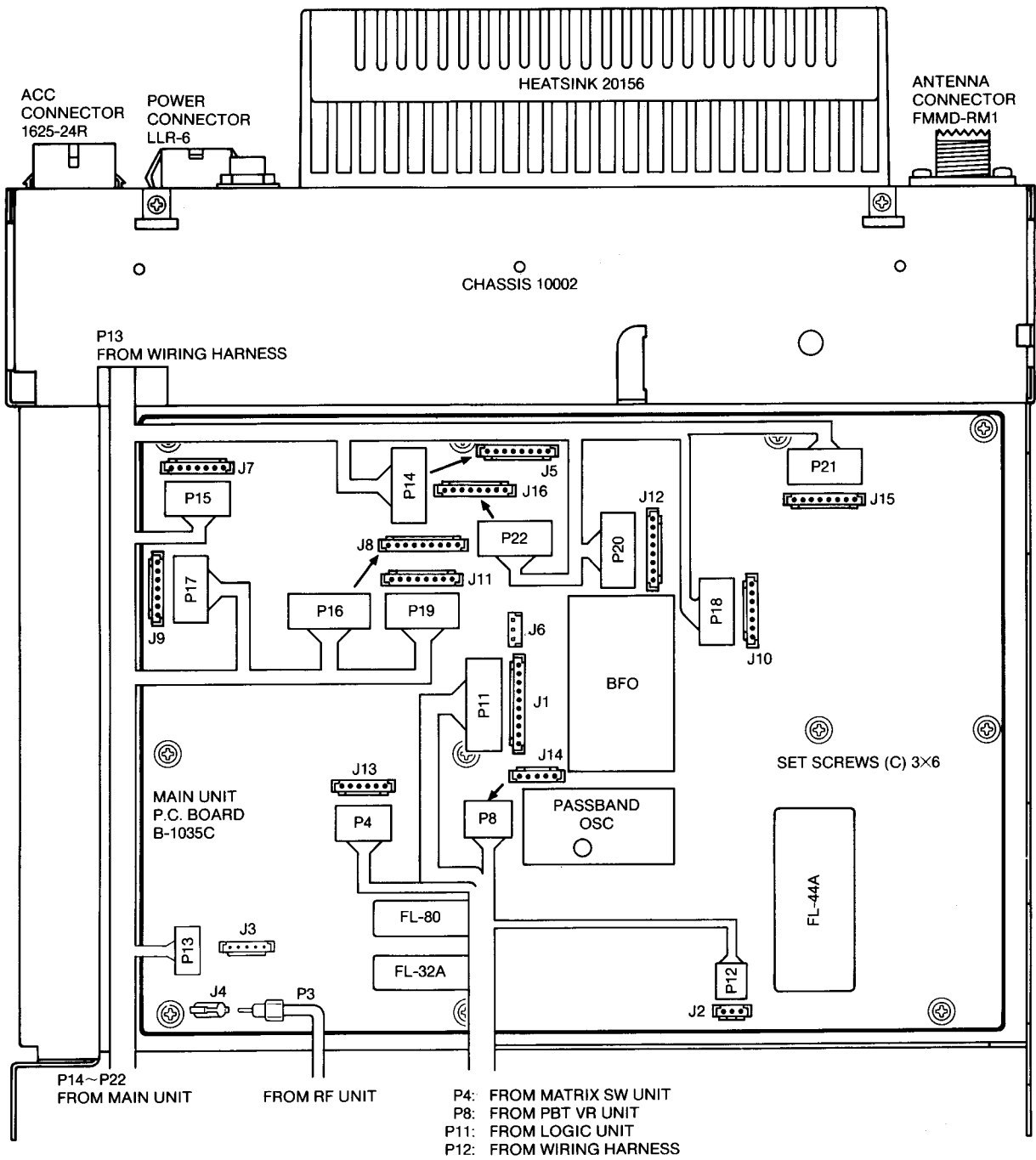
② DISPLAY P.C. BOARD B-706D



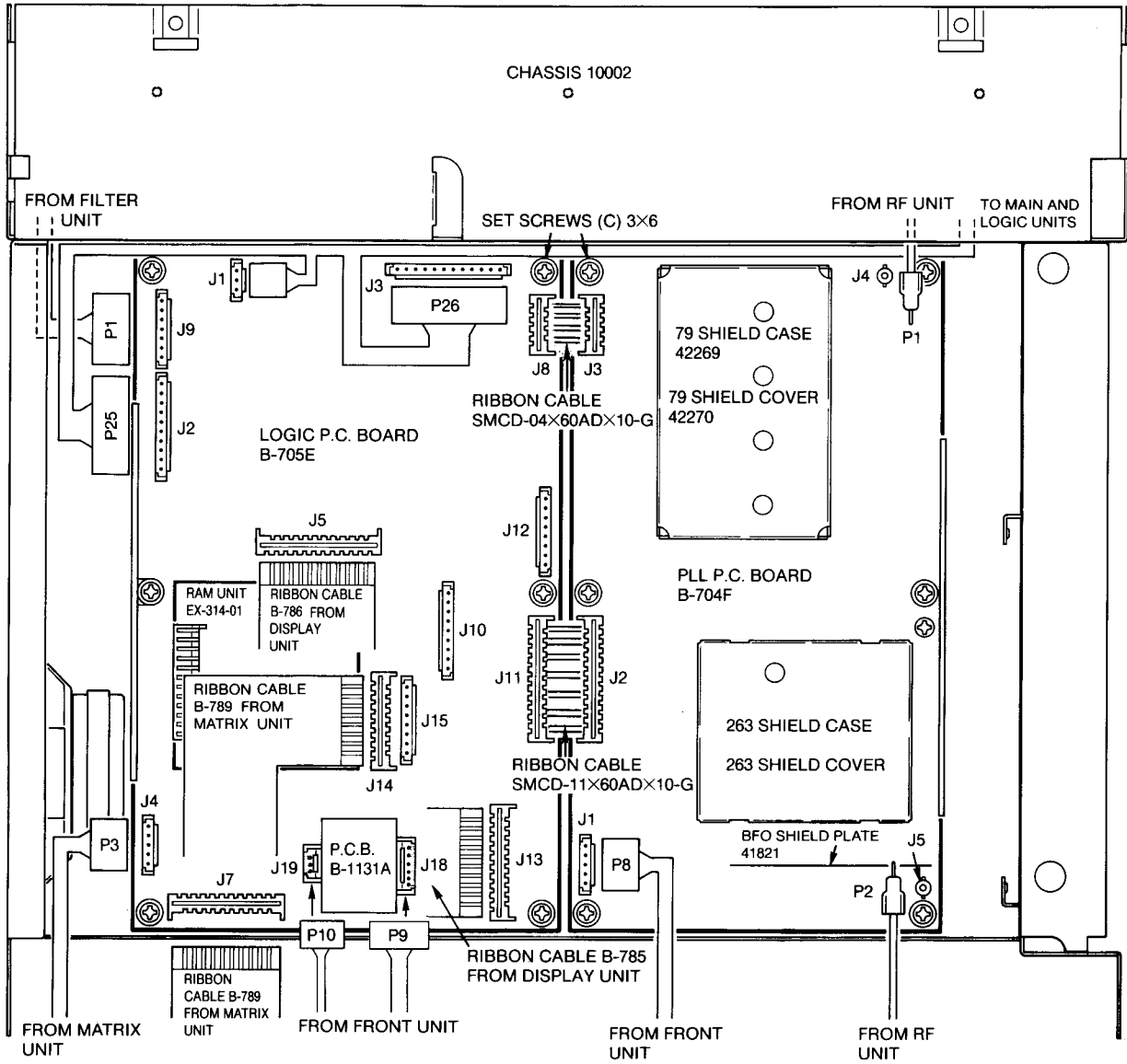
③ MATRIX P.C. BOARD B-728C



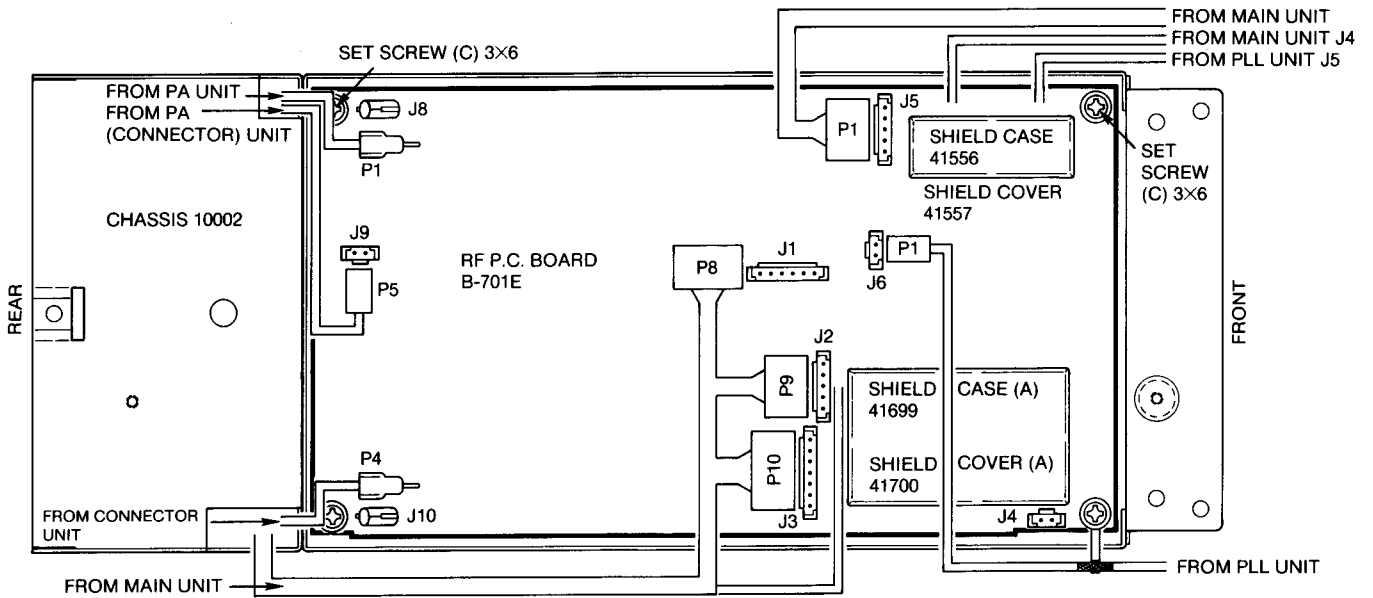
5 - 7 MAIN UNIT CONNECTOR ASSEMBLY



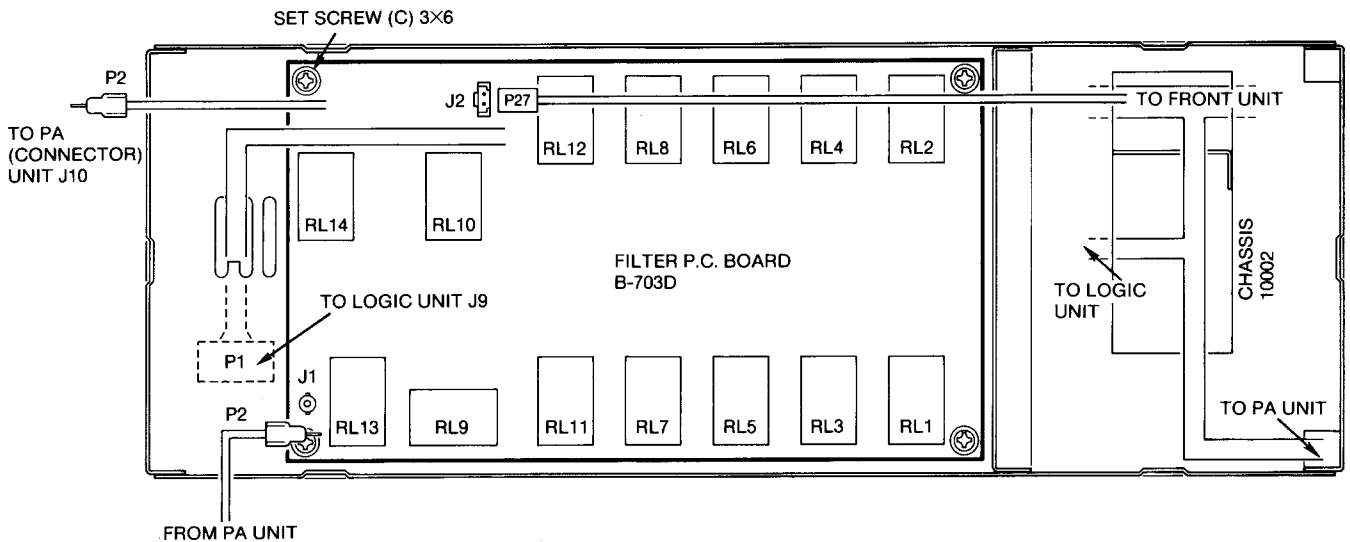
5 - 8 LOGIC AND PLL UNIT CONNECTOR ASSEMBLY



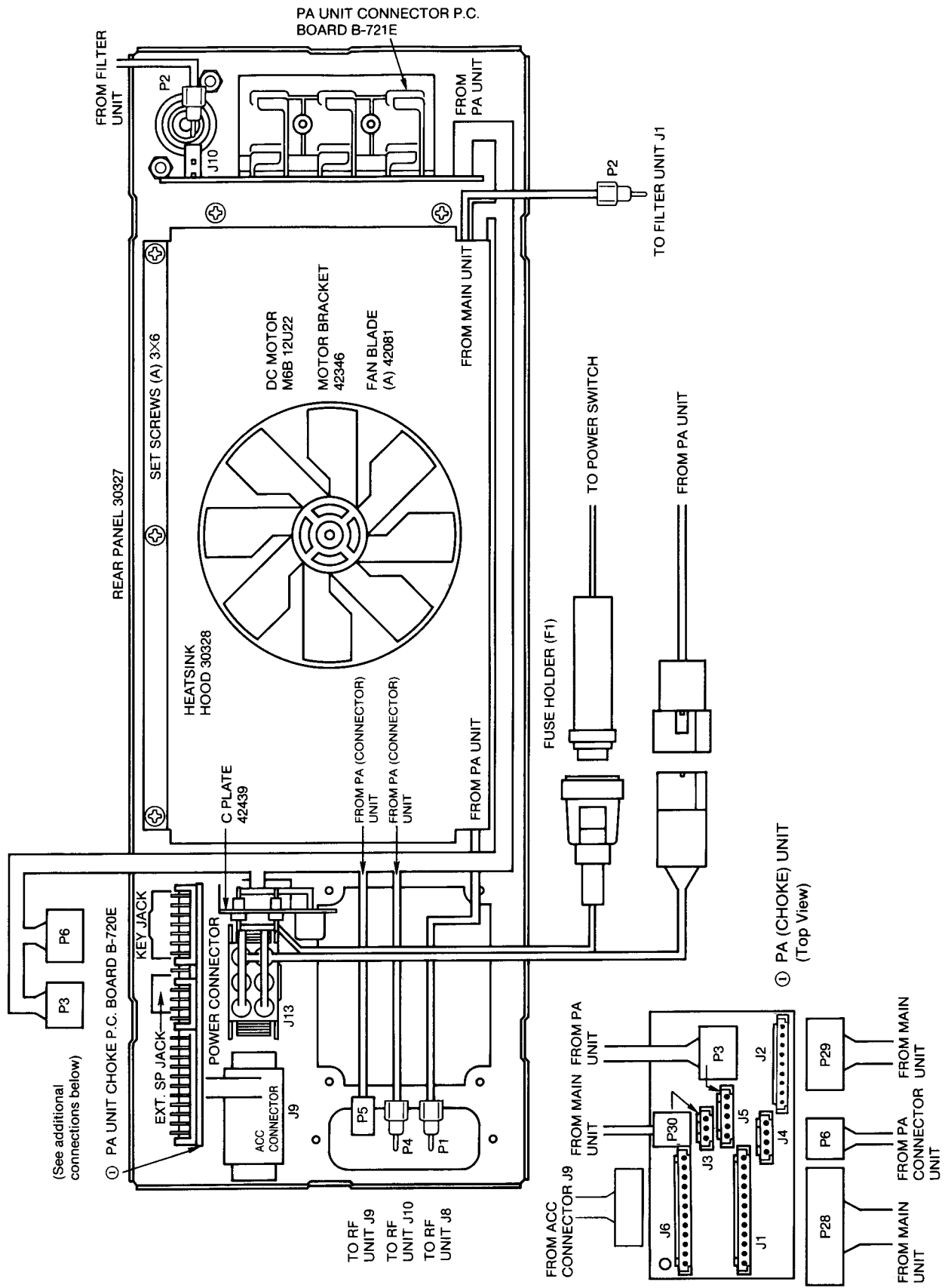
5 - 9 RF UNIT CONNECTOR ASSEMBLY



5 - 10 FILTER UNIT CONNECTOR ASSEMBLY



5 - 11 REAR PANEL CONNECTOR ASSEMBLY



SECTION 6 MAINTENANCE AND ADJUSTMENT

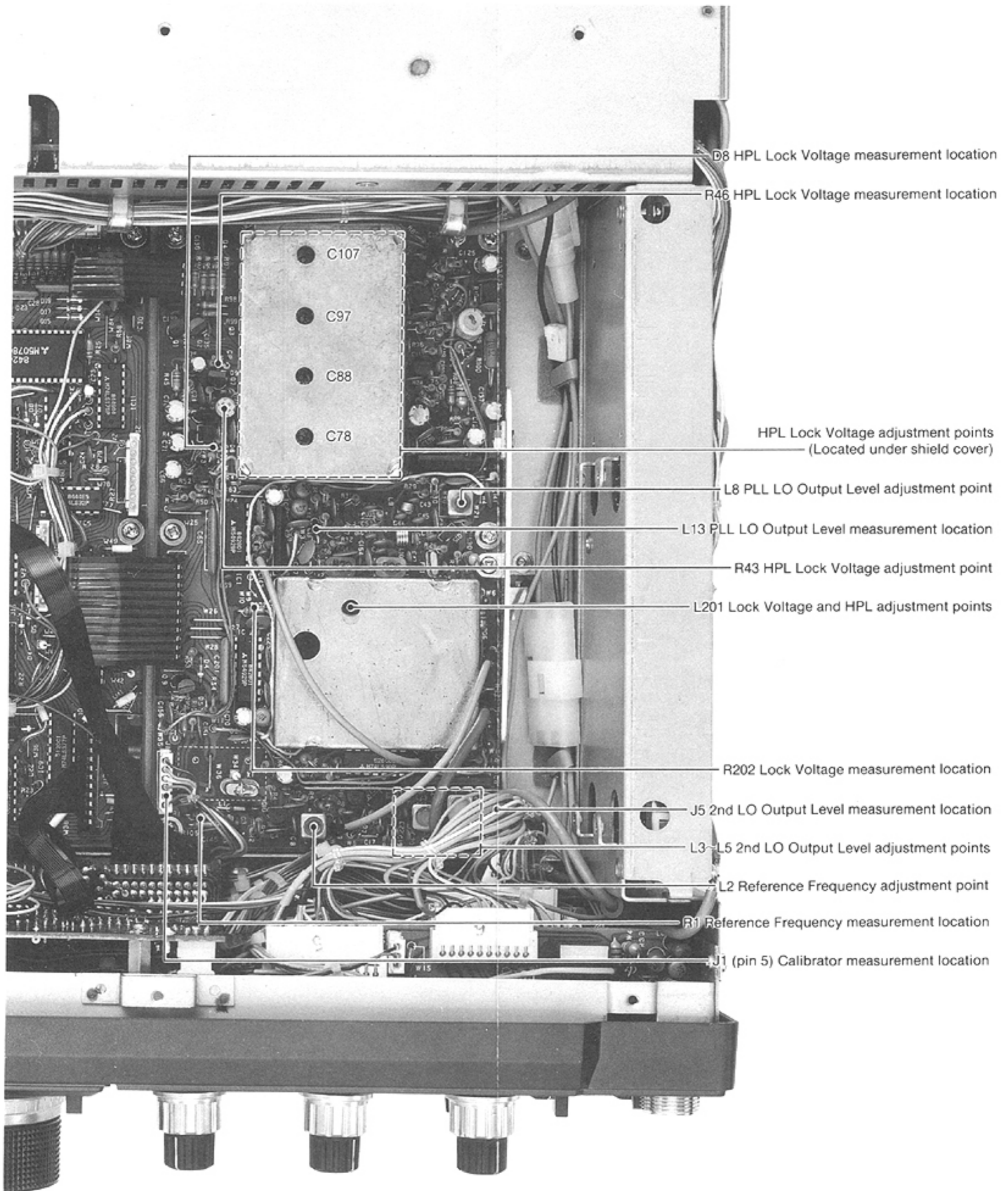
6 - 1 PREPARATION BEFORE SERVICING

1. Detach the power cord and turn **OFF** the VOLUME/POWER CONTROL before performing any work on the transceiver.
2. Do not short circuit components while making adjustments.
3. Use an insulated tuning tool for all adjustments.
4. Do not force any of the variable components. Turn them slowly and smoothly.
5. Follow the instructions exactly. If an indicated result is not obtained, repeat the instruction until the correct result is obtained.
6. Check the condition of connectors, solder joints and screws when adjustments are complete. Confirm that components do not touch each other.
7. Confirm defective operation of the transceiver first when checking an out-of-service unit. Verify that external sources do not cause the problem.
8. Use the correct tools and test equipment.
9. Remove the transceiver case as shown in SECTION 5-1.
10. Attach a 13.8V DC external power source to the power supply connector. Be sure to check the polarity.
11. For transmission problems, attach a dummy load to the antenna connector. For reception problems, attach an antenna or signal generator to the antenna connector. **DO NOT transmit** into the signal generator.
12. Recheck for the suspected malfunction with the VOLUME/POWER CONTROL **ON**.
13. Check the defective circuit. Measure the DC voltages of the collector, base and emitter of each transistor.

6-2 PLL ADJUSTMENT

TEST INSTRUMENTS REQUIRED		MEASUREMENT CONNECTION LOCATION					
(1) AC POWER SUPPLY • Output voltage : 13.8V DC • Current capacity : 20A or more (2) OSCILLOSCOPE • Frequency range : DC ~ 20MHz • Measuring range : 0.01 ~ 10V (3) FREQUENCY COUNTER • Frequency range : 0.1 ~ 90MHz • Frequency accuracy : ± 1 ppm or better • Sensitivity : 100mV or better (4) RF VOLTMETER • Frequency range : 0.1 ~ 80MHz • Measuring range : 0.01 ~ 10V							
ADJUSTMENT	ADJUSTMENT CONDITIONS	MEASUREMENT		VALUE	ADJUSTMENT POINT		
		UNIT	LOCATION		UNIT	ADJUST	
CALIBRATOR	1 • Frequency display: 8.0000MHz • LSB General mode	PLL	Connect an oscilloscope to J1 pin 5.	3V	TOP PANEL	CALIBRATOR CONTROL	
REFERENCE FREQUENCY	1 • Frequency display: 8.0000MHz • LSB General mode	PLL	Connect a frequency counter to R1 (R2 side).	30.7200MHz	PLL	L2	
PLL LO OUTPUT LEVEL	1 • Frequency display: 8.0000MHz • LSB General mode	PLL	Connect an RF Voltmeter to L13.	Adjust to maximum output: 400mV~1Vp-p	PLL	L8	
LOCK VOLTAGE	1 • Frequency display: 8.0000MHz • LSB General mode	PLL	Connect an oscilloscope to R202.	3V	PLL	L201	
	2 • Frequency display: 7.9999MHz			1.5~2V			Verify
HPL LOCK VOLTAGE	1 • Frequency display: 7.9999MHz • LSB General mode	PLL	Connect an oscilloscope to R46.	6.5V	PLL	C78	
	2 • Frequency display: 14.9999MHz • LSB General mode					C88	
	3 • Frequency display: 21.9999MHz					C97	
	4 • Frequency display: 29.9999MHz					C107	
	5 • Frequency display: 8.0000MHz					L201	
	6 • Frequency display: 15.0000MHz						
	7 • Frequency display: 22.0000MHz						
	8 • Frequency display: 7.9999MHz • LSB General mode			R43			
2nd LO OUTPUT LEVEL	1 • Frequency display: 8.0000MHz • LSB General mode	PLL	Terminate J5 to ground with a 50Ω resistor. Connect an RF Voltmeter to J5.	Adjust to maximum output: 250~400mV rms	PLL	L3~L5	
NOTE: After completing the adjustment, return J5 to its original condition.							

PLL UNIT

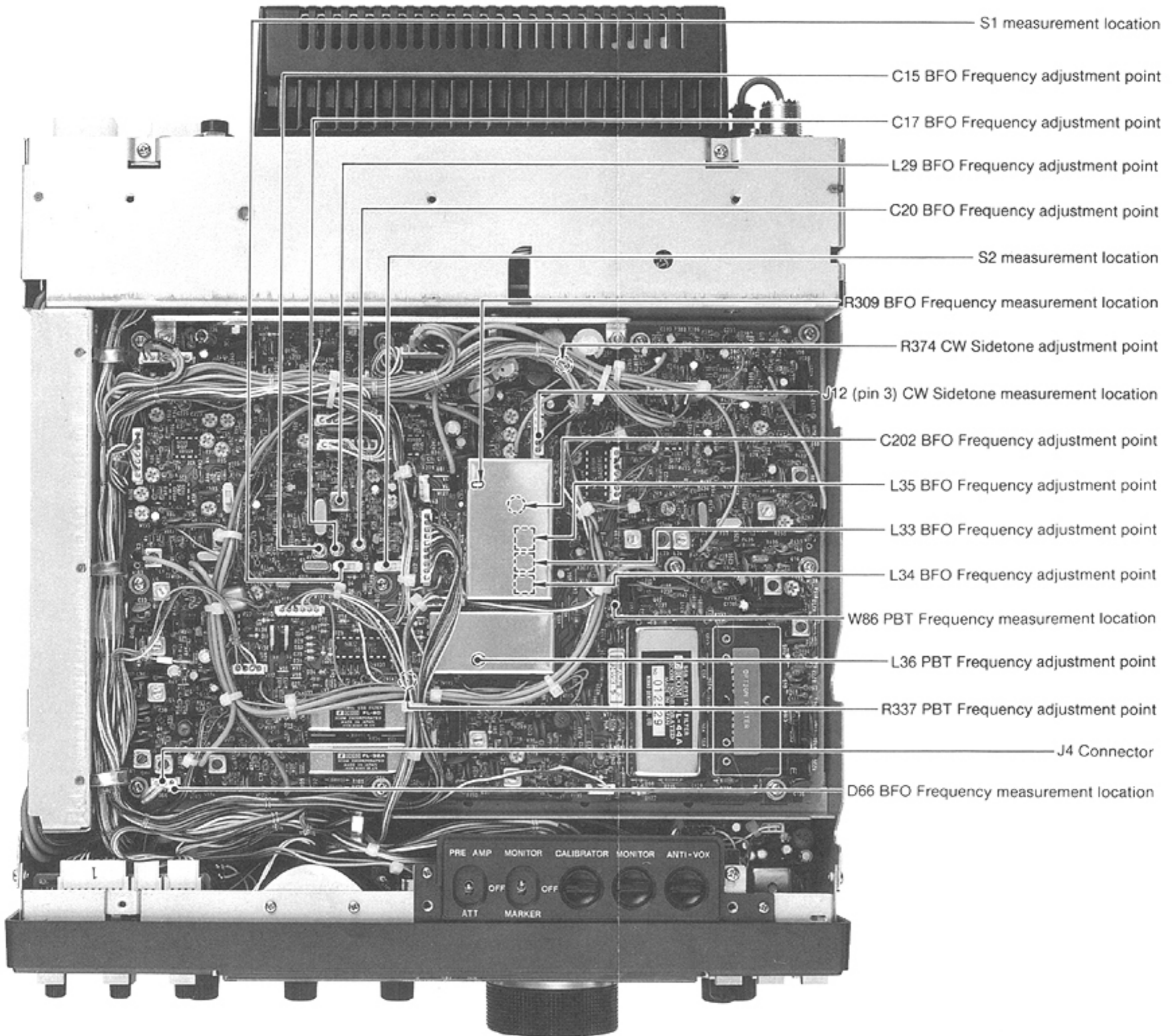


6 - 3 FREQUENCY ADJUSTMENT

TEST INSTRUMENTS REQUIRED	MEASUREMENT CONNECTION LOCATION
(1) AC POWER SUPPLY <ul style="list-style-type: none"> • Output voltage : 13.8V DC • Current capacity : 20A or more (2) FREQUENCY COUNTER <ul style="list-style-type: none"> • Frequency range : 0.1 ~ 90MHz • Frequency accuracy : ± 1ppm or better • Sensitivity : 100mV or better (3) RF POWER METER (TERMINATED TYPE) <ul style="list-style-type: none"> • Measuring range : 20 ~ 200W • Frequency range : 1.8 ~ 30MHz • Impedance : 50Ω • SWR : 1.1 or less 	

ADJUSTMENT	ADJUSTMENT CONDITIONS	MEASUREMENT			ADJUSTMENT POINT		
		UNIT	LOCATION	VALUE	UNIT	ADJUST	
BFO FREQUENCY	1	MAIN	Connect a frequency counter to R309 (X6 side).	9.01300MHz	MAIN	C202	
	2			9.01000MHz		L34	
	3			9.00990MHz		L33	
	4			9.008475MHz		L35	
	5			No output		Verify	
	6			9.01000MHz		Verify	
	7			9.01000MHz		L29	
	8			Connect a frequency counter to D66.		9.01060MHz	C20
	9					9.01077MHz	C17
	10					9.01145MHz	C15
	NOTE: Repeat adjustments 6 through 10 several times.						
11	S1: Left (Normal side) S2: Left/Right	MAIN	Connect a frequency counter to D66.	Switch S2 alternately between the right and left sides, confirming that the frequency is 9.01060MHz		Verify	
NOTE: Return J4 to its original condition after completing Adjustment 8.							
PBT FREQUENCY	1	MAIN	Connect a frequency counter to W86.	9.46650MHz	MAIN	L36	
	2			9.46800MHz or higher		Verify	
	3			9.46500MHz or lower			
	4			9.46650MHz		R337	
CW SIDETONE	1	MAIN	Connect a frequency counter to pin 3 on J12.	700Hz	MAIN	R374	
DC-DC CONVERTER FREQUENCY	1	DISPLAY	Connect a frequency counter to the cathode of D21. (Location on p.7-3)	approx. 20kHz		Verify	

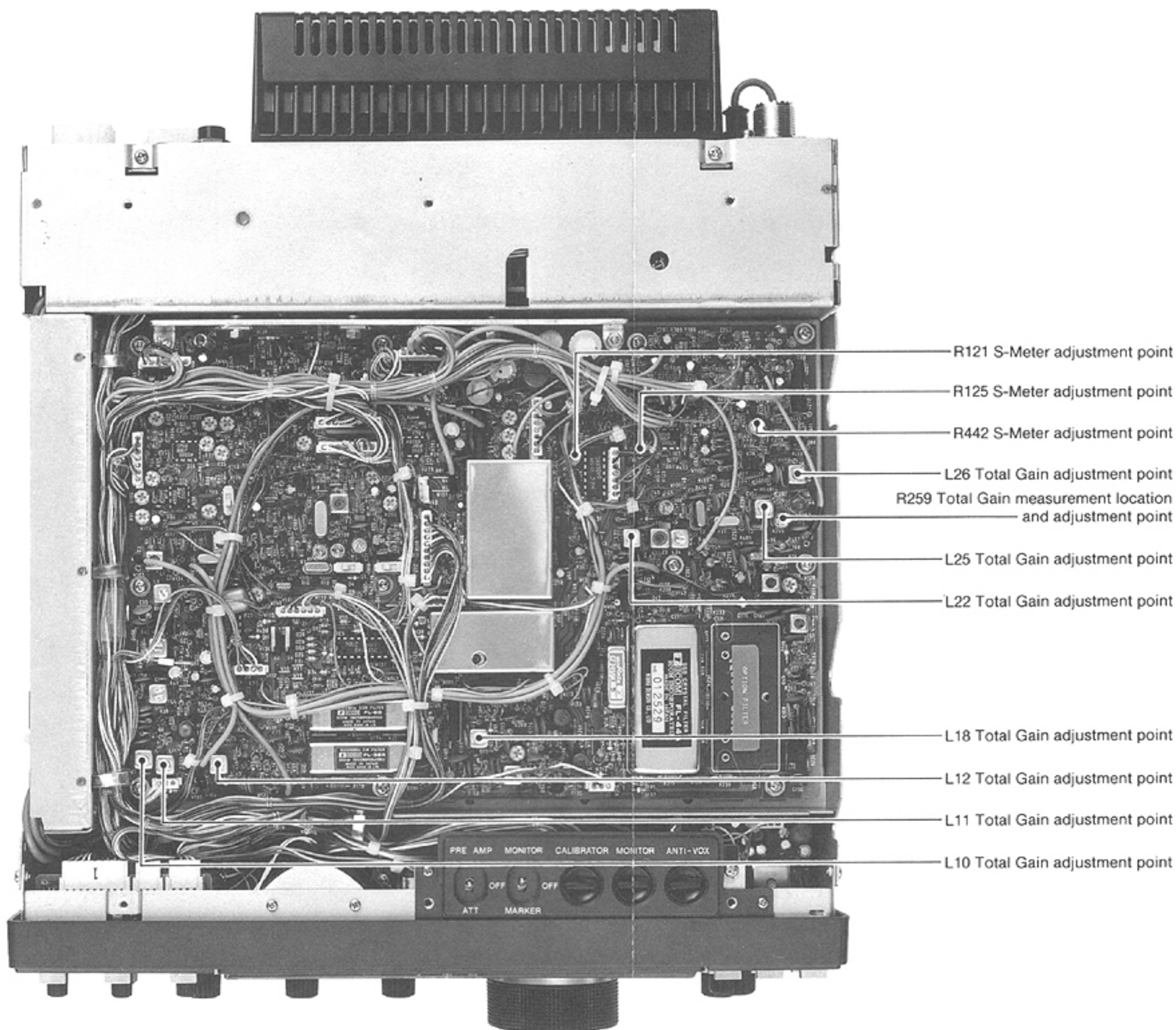
MAIN UNIT



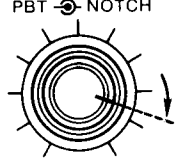
6 - 4 RECEIVER ADJUSTMENT

TEST INSTRUMENTS REQUIRED		MEASUREMENT CONNECTION LOCATION							
(1) AC POWER SUPPLY • Output voltage : 13.8V DC • Current capacity : 20A or more (2) STANDARD SIGNAL GENERATOR (SSG) • Frequency range : 0.1 ~ 40MHz • Output level : -127 ~ -17dBm (0.1 μ V~32mV) (3) AC MILLI-VOLTMETER • Measuring range : 10mV ~ 3V (4) EXTERNAL SPEAKER • Impedance : 8 Ω (5) OSCILLOSCOPE • Frequency range : DC ~ 20MHz • Measuring range : 0.01 ~ 10V									
ADJUSTMENT	ADJUSTMENT CONDITIONS	MEASUREMENT		VALUE	ADJUSTMENT POINT				
		UNIT	LOCATION		UNIT	ADJUST			
TOTAL GAIN	1	REAR PANEL	Connect an AC milli-voltmeter to the EXT. SP JACK.	Adjust to MAX. AF output.	MAIN	L10, L11, L12, L18, L22, L25, L26			
	2						Adjust the AF GAIN CONTROL until 2.5V is output.	FRONT PANEL	AF GAIN CONTROL
	3						Adjust R259 to a point where the noise level is 30dB (about 80mV) from 2.5V.	MAIN	R259
S-METER	1	FRONT PANEL	Multifunction meter (S scale)	S0 (S scale)	MAIN	R125			
	2						Multifunction meter (S scale)	S9 (S scale)	R442
	3						Multifunction meter (S scale)	S9 +60dB (S scale)	R121

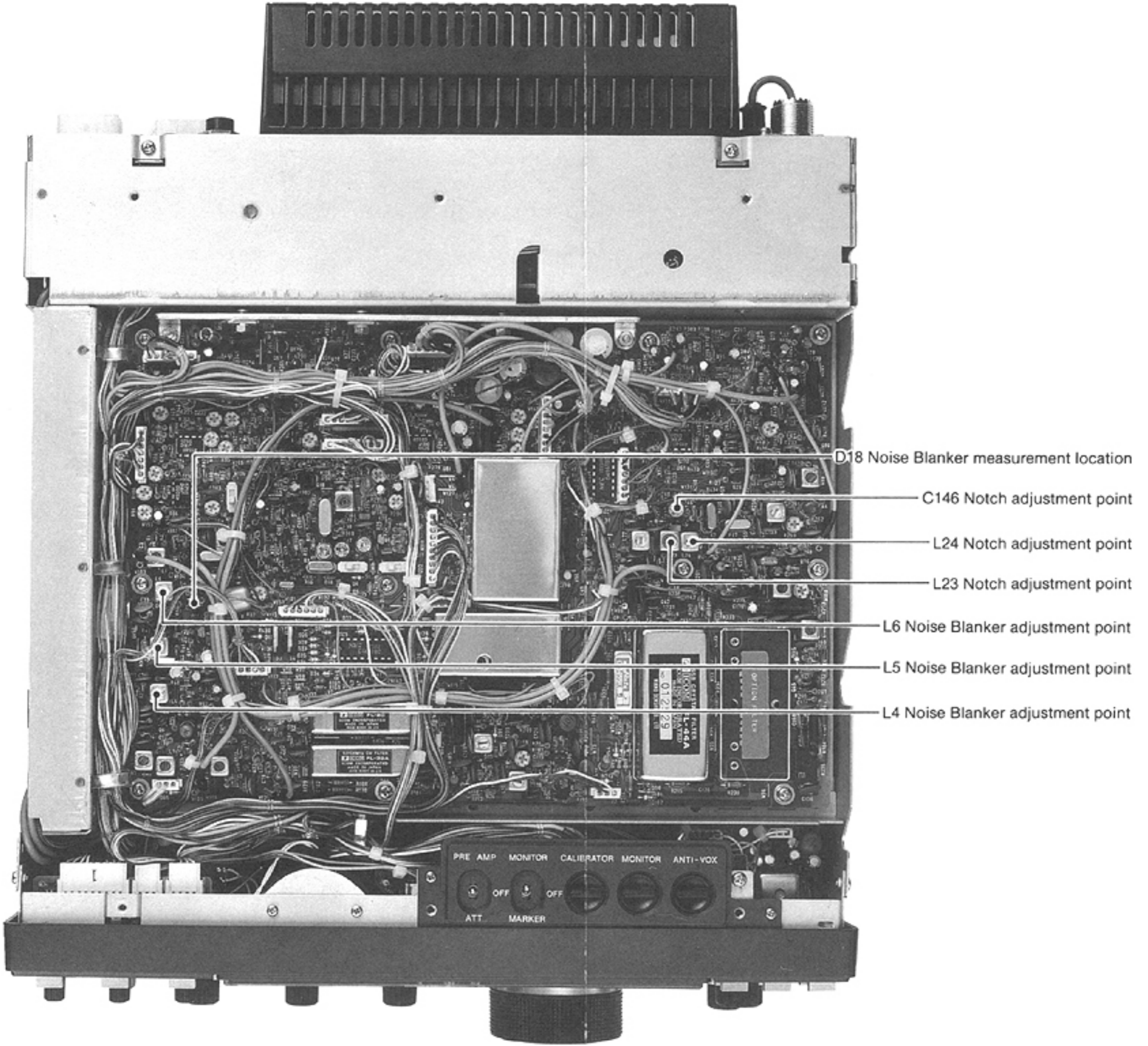
MAIN UNIT



RECEIVER ADJUSTMENT

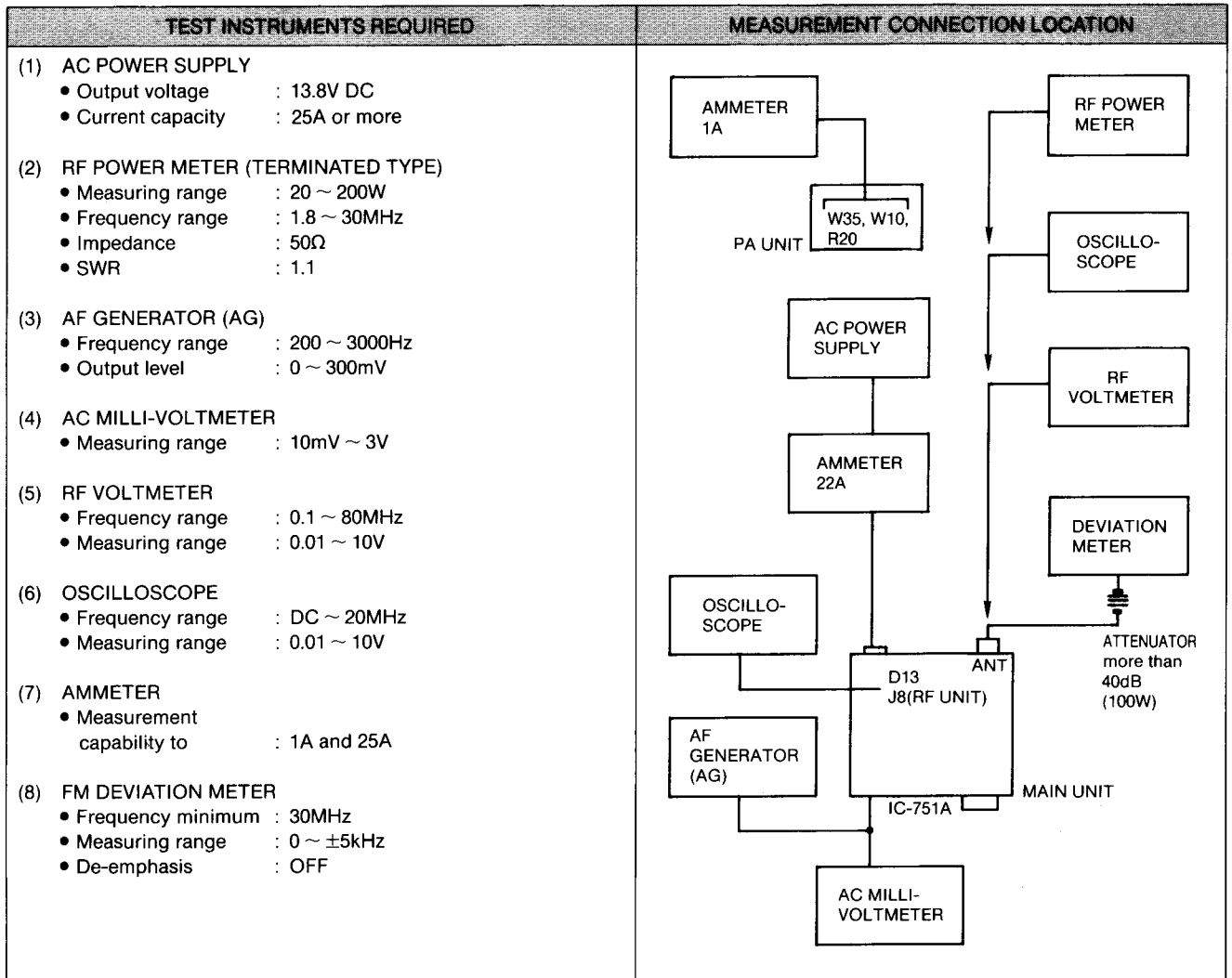
ADJUSTMENT	ADJUSTMENT CONDITIONS	MEASUREMENT		VALUE	ADJUSTMENT POINT		
		UNIT	LOCATION		UNIT	ADJUST	
S-METER	4 <ul style="list-style-type: none"> Apply a -33dBm (5mV) RF signal to the ANTENNA CONNECTOR. PRE AMP SWITCH: ON ATT SWITCH: ON 	FRONT PANEL		Record the reading.			
				A position 10dB up on the S-Meter		Verify	
				A position 20dB down on the S-Meter			
NOISE BLANKER	1 <ul style="list-style-type: none"> Frequency display: 14MHz USB mode PRE AMP SWITCH: OFF NB WIDE SWITCH: ON NB LEVEL CONTROL: MAX. CW Apply pulse-type noise to the ANTENNA CONNECTOR. 	MAIN	Connect an oscilloscope to D18.	Adjust to MAX. wave-form on the oscilloscope.	MAIN	L4~L6	
	NOTE: The noise blanker will not function for wide noises (pulse width approx. 5m secs.) when the NB WIDE SWITCH is turned OFF. The noise blanker will function when receiving narrow noises (pulse width approx. 0.4 ~ 0.5m secs.) regardless of the position of the NB WIDE SWITCH.						
NOTCH	1 <ul style="list-style-type: none"> Frequency display: 14.1485MHz MARKER SWITCH: ON NOTCH SWITCH: ON NOTCH CONTROL: MAX. CW and CCW. 	FRONT PANEL		S-Meter remains at the same level when the NOTCH CONTROL is turned fully CW or CCW.	MAIN	L24	
	2 <ul style="list-style-type: none"> NOTCH SWITCH: OFF NOTCH SWITCH: ON 	REAR PANEL	Connect an AC millivoltmeter to the EXT. SP JACK.	2.5V	FRONT PANEL	AF GAIN CONTROL	
				Less than 150mV	FRONT PANEL	NOTCH CONTROL	
	NOTE: Repeat steps 2 and 3 (below) two or three times.						
	3	<ul style="list-style-type: none"> Frequency display: 14.1472MHz NOTCH SWITCH: ON NOTCH CONTROL: MAX. CCW 	REAR PANEL	Connect an AC millivoltmeter to the EXT. SP JACK.	MIN. audio output	MAIN	L23
4	<ul style="list-style-type: none"> Frequency display: 14.1498MHz 		Connect an AC millivoltmeter to the EXT. SP JACK.	MIN. level	FRONT PANEL	NOTCH CONTROL	
				NOTE: Verify the NOTCH CONTROL position as shown below. PBT → NOTCH			
							

MAIN UNIT



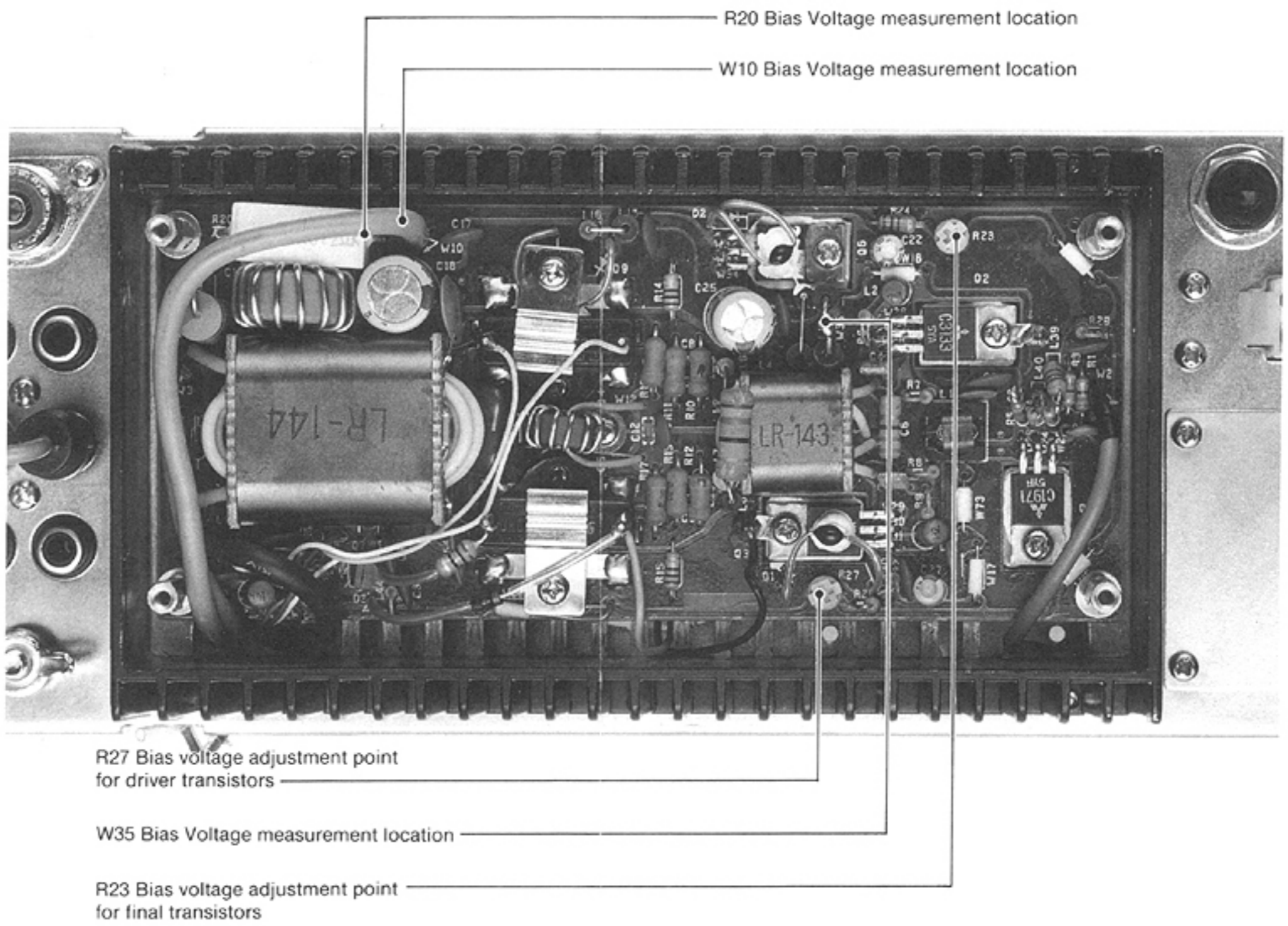
- D18 Noise Blanker measurement location
- C146 Notch adjustment point
- L24 Notch adjustment point
- L23 Notch adjustment point
- L6 Noise Blanker adjustment point
- L5 Noise Blanker adjustment point
- L4 Noise Blanker adjustment point

6 - 5 TRANSMITTER ADJUSTMENT

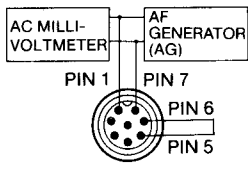
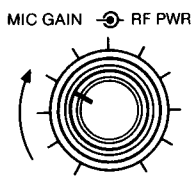
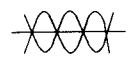


ADJUSTMENT	ADJUSTMENT CONDITIONS	MEASUREMENT		VALUE	ADJUSTMENT POINT	
		UNIT	LOCATION		UNIT	ADJUST
BIAS VOLTAGE ① For driver transistors	<ul style="list-style-type: none"> • Frequency display: 14MHz • SSB mode • MIC GAIN CONTROL: Turn fully CCW • After confirming there is no MIC input, set the transceiver in transmit mode. <p>NOTE: Resolder after making adjustments in steps 1 and 2.</p>	PA	Desolder the center of W35. Connect an ammeter at W35. 	100mA	PA	R27
② For final transistors			Desolder R20 and connect an ammeter between W10 and R20. 	600mA		R23

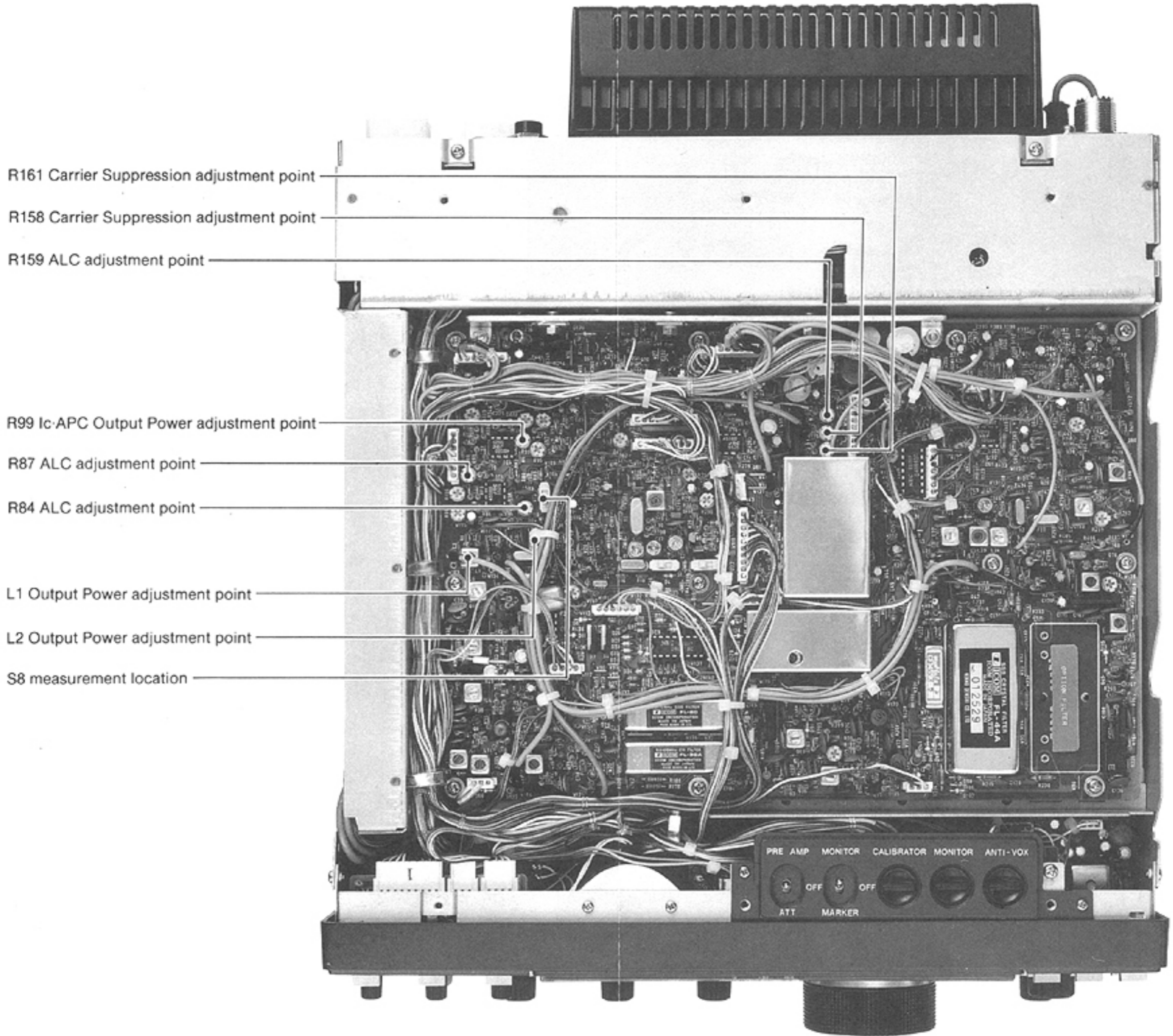
PA UNIT



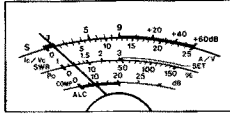
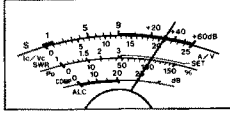
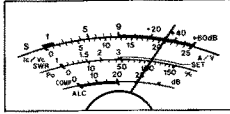
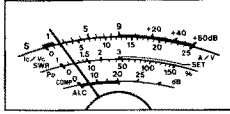
TRANSMITTER ADJUSTMENT

ADJUSTMENT	ADJUSTMENT CONDITIONS	MEASUREMENT		VALUE	ADJUSTMENT POINT		
		UNIT	LOCATION		UNIT	ADJUST	
OUTPUT POWER	1 <ul style="list-style-type: none"> • Frequency display: 14MHz • USB mode • COMP SWITCH: OFF • Apply a 1.5kHz/3mV signal from the AG, then adjust the MIC GAIN CONTROL to output 30W of power. 	REAR PANEL	Connect an RF power meter to the ANTENNA CONNECTOR.  <p>PIN 1: AG input PIN 7: GND PIN 5: Jumper PIN 6: Jumper</p>	Adjust to obtain MAX. output power.	MAIN	L1	
	2 <ul style="list-style-type: none"> • FM mode • MIC GAIN CONTROL: MAX. CCW 			50W	FRONT PANEL	RF POWER CONTROL	
	<ul style="list-style-type: none"> • MIC GAIN CONTROL: MAX. CW Note: The RF POWER CONTROL should remain in the same position as in step 2 above.			MAX. output	MAIN	L2	
Ic • APC	1 <ul style="list-style-type: none"> • Frequency display: 14MHz • RTTY mode • RF POWER CONTROL: MAX. CW • Transmit mode 	REAR PANEL	Connect an ammeter to the power cable.	22A	MAIN	R99	
ALC	1 <ul style="list-style-type: none"> • Frequency display: 14MHz • RTTY mode • RF POWER CONTROL: MAX. CW 	REAR PANEL	Connect an RF power meter to the ANTENNA CONNECTOR.	100W	MAIN	R87	
	2 <ul style="list-style-type: none"> • RF POWER CONTROL: MAX. CCW 			3~10W			Verify
	NOTE: Check that the RF output power on each band is 90 ~ 100W and that the current drain is less than 20A.						
	3 <ul style="list-style-type: none"> • RF POWER CONTROL: MAX. CW • S8 on MAIN UNIT: Switch to rear panel side. • Transmit mode 	REAR PANEL	Connect an RF power meter to the ANTENNA CONNECTOR.	50W	MAIN	R84	
	4 <ul style="list-style-type: none"> • RF POWER CONTROL: MAX. CW • AM mode • MIC GAIN CONTROL: (set as shown) 			Connect an oscilloscope to the ANTENNA CONNECTOR.  <p>100% modulation</p> <p>or</p> <p>50W RF output power</p>		R159	
5 <ul style="list-style-type: none"> • MIC GAIN CONTROL: MAX. CCW 	Connect an RF power meter to the ANTENNA CONNECTOR. 40~60W			Verify			
CARRIER SUPPRESSION	1 <ul style="list-style-type: none"> • Frequency display: 14MHz • USB and LSB modes • COMP SWITCH: OFF • MIC GAIN CONTROL: MAX. CCW • Transmit mode 	REAR PANEL	Connect an RF voltmeter or spectrum analyzer to the ANTENNA CONNECTOR.	Alternately change the operating mode between USB and LSB, and adjust R158 and R161 for MIN. output of less than -50dB.	MAIN	R158 R161	
	2 <ul style="list-style-type: none"> • COMP SWITCH: ON 			Less than -50dB		Verify	

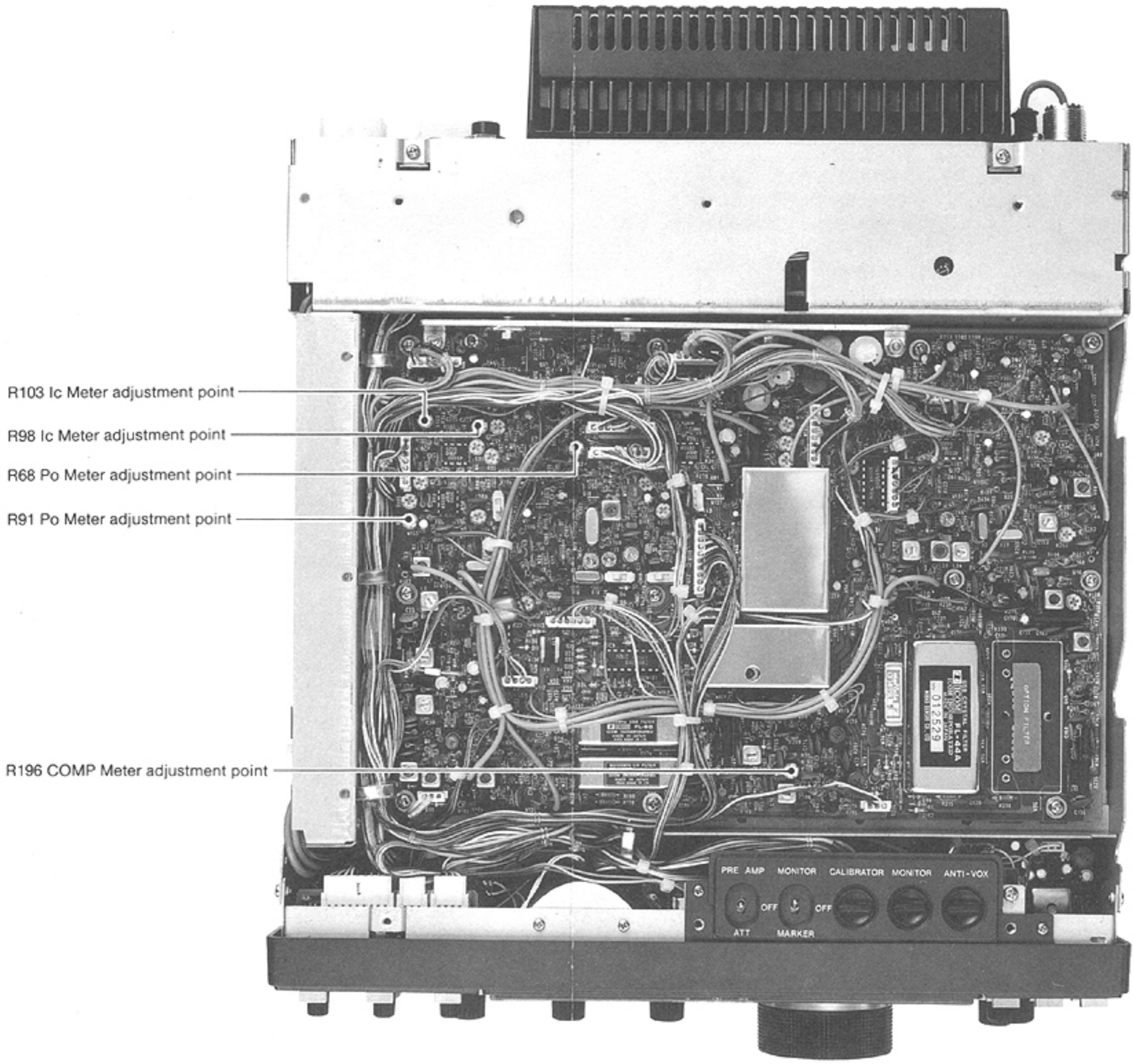
MAIN UNIT



TRANSMITTER ADJUSTMENT

ADJUSTMENT	ADJUSTMENT CONDITIONS	MEASUREMENT		VALUE	ADJUSTMENT POINT		
		UNIT	LOCATION		UNIT	ADJUST	
METER ④ Ic METER	1	<ul style="list-style-type: none"> Frequency display: 14MHz RTTY mode RF POWER CONTROL: MAX. CW METER SWITCH: Ic Transmit mode 	REAR PANEL	Connect an ammeter to the power cable.	Adjust to total current minus 3A.	MAIN	R98
	2		<ul style="list-style-type: none"> HAM/GENE SWITCH: GENE 		 <p>Multifunction meter (Ic scale)</p>		1A (Ic scale)
⑥ COMP METER	3	<ul style="list-style-type: none"> USB mode COMP SWITCH: ON METER SWITCH: COMP Input 2 audio signals into the MIC CONNECTOR: 1.9kHz 3mV 1.3kHz 3mV 	FRONT PANEL	 <p>Multifunction meter (COMP scale)</p>	25dB (COMP scale)	FRONT PANEL	MIC GAIN CONTROL
					<ul style="list-style-type: none"> METER SWITCH: ALC 		
	4	<ul style="list-style-type: none"> COMP SWITCH: OFF METER SWITCH: COMP Input an audio signal into the MIC CONNECTOR: 1.5kHz 3mV 	REAR PANEL	Connect an RF meter to the ANTENNA CONNECTOR.	30W	FRONT PANEL	MIC GAIN CONTROL
					80~100W		
③ Po METER	5	<ul style="list-style-type: none"> RTTY mode COMP SWITCH: OFF METER SWITCH: Po Transmit mode 		Connect an RF meter to the ANTENNA CONNECTOR.	100W		RF POWER CONTROL
			FRONT PANEL	 <p>Multifunction meter (Po scale)</p>	100% (Po scale)	MAIN	R91
⑤ ALC METER	6	<ul style="list-style-type: none"> USB mode METER SWITCH: ALC Apply an AF signal to the MIC CONNECTOR: 1.5kHz 3mV 		 <p>Multifunction meter (Ic scale)</p>	2A (Ic scale)	FRONT PANEL	MIC GAIN CONTROL
					<ul style="list-style-type: none"> Apply an AF signal to the MIC CONNECTOR: 1.5kHz 9.4mV (10dB up) 		

MAIN UNIT



R103 Ic Meter adjustment point

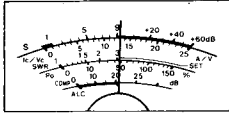
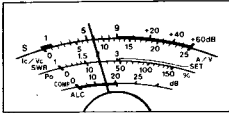
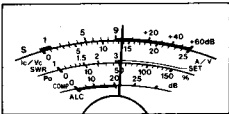
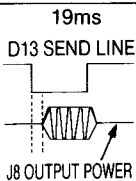
R98 Ic Meter adjustment point

R68 Po Meter adjustment point

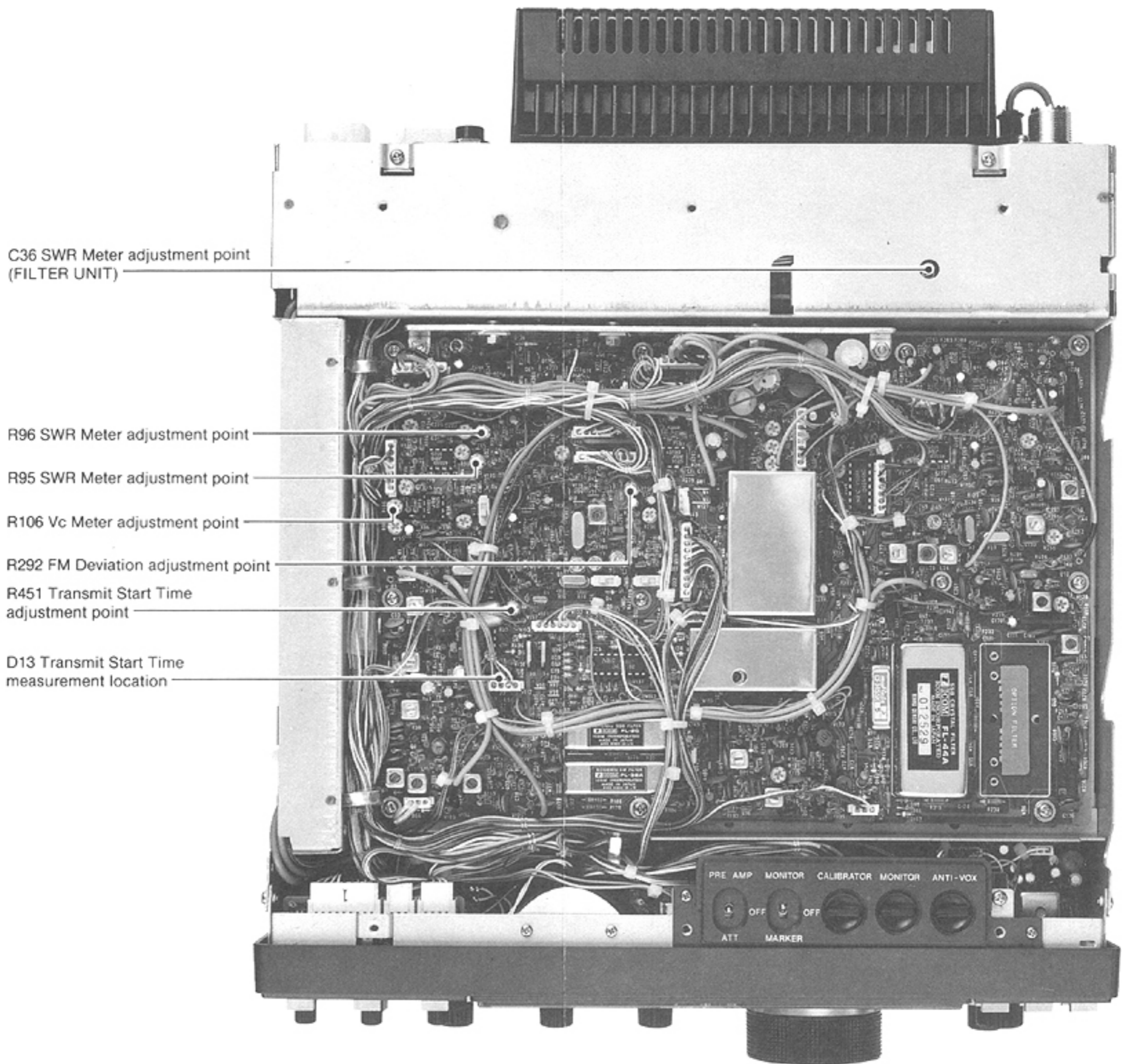
R91 Po Meter adjustment point

R196 COMP Meter adjustment point

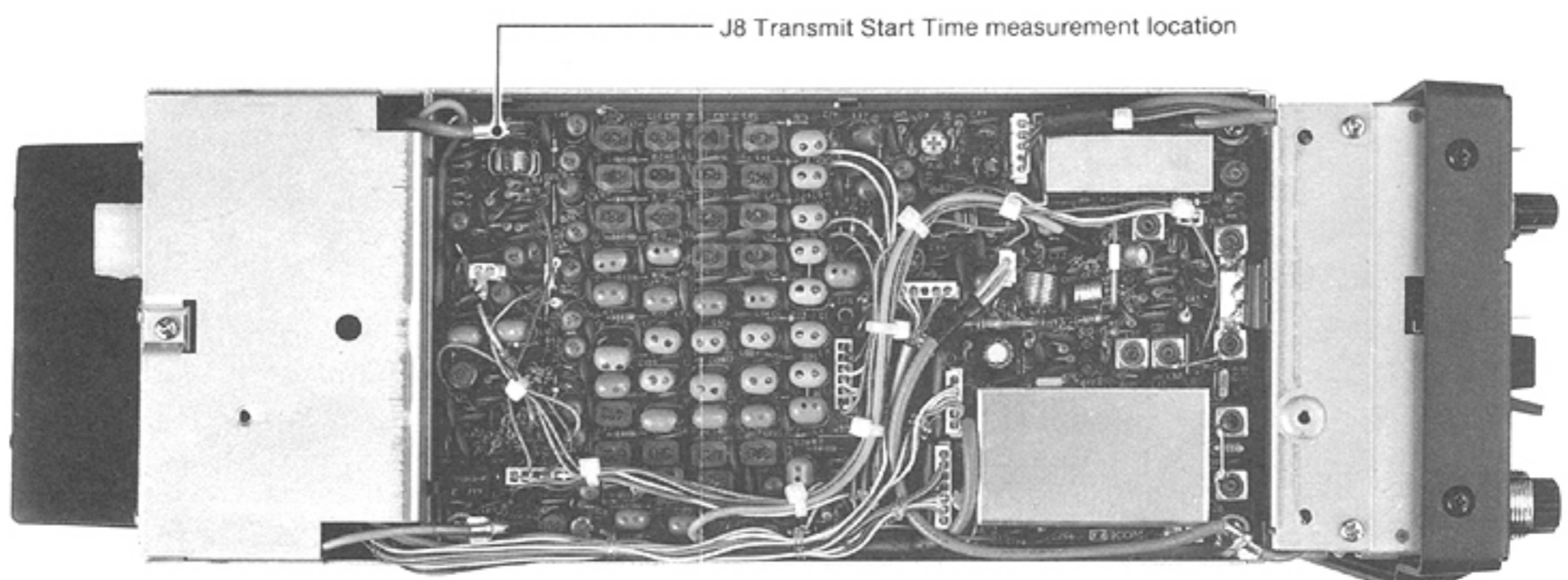
TRANSMITTER ADJUSTMENT

ADJUSTMENT	ADJUSTMENT CONDITIONS	MEASUREMENT		VALUE	ADJUSTMENT POINT		
		UNIT	LOCATION		UNIT	ADJUST	
ⓐ SWR METER	<ul style="list-style-type: none"> • Frequency display: 14MHz • RTTY mode • METER SWITCH: Po • Transmit mode 	FRONT PANEL	Po METER	 <p>Multifunction meter (SWR scale)</p>	Adjust RF POWER CONTROL until the meter needle is at "SWR SET".	FRONT PANEL	RF POWER CONTROL
			SWR METER				
	<ul style="list-style-type: none"> • Connect a 100Ω or 25Ω dummy load to the ANTENNA CONNECTOR • Transmit mode 		SWR METER	 <p>Multifunction meter (SWR scale)</p>	SWR 2	MAIN	R96
			<ul style="list-style-type: none"> • Remove any connection to the ANTENNA CONNECTOR • Transmit mode 		SWR METER		
ⓑ Vc METER	<ul style="list-style-type: none"> • SSB mode • MIC GAIN CONTROL: fully CCW • METER SWITCH: Vc • No MIC input • Transmit mode 	FRONT PANEL	Vc METER	 <p>Multifunction meter (Vc scale)</p>	13.8V	MAIN	R106
			<ul style="list-style-type: none"> • RTTY mode • RF POWER CONTROL: MAX. • Remove any connection to the ANTENNA CONNECTOR 		REAR PANEL		Connect an ammeter between the AC POWER SUPPLY and the transceiver.
Ⓒ SWR APC	<ul style="list-style-type: none"> • RTTY mode • RF POWER CONTROL: MAX. • Remove any connection to the ANTENNA CONNECTOR 	REAR PANEL	Connect an ammeter between the AC POWER SUPPLY and the transceiver.	Less than 12A			Verify
TRANSMIT START TIME	<ul style="list-style-type: none"> • CW mode • VOX SWITCH: ON • KEYSPEED CONTROL: MAX. CW • VOX DELAY CONTROL: MAX. CCW • Key down to dot position 	MAIN	Connect lead of an oscilloscope to the cathode of D13.	 <p>19ms D13 SEND LINE J8 OUTPUT POWER</p>	MAIN	R451	
		RF	Connect other lead of an oscilloscope to J8.				
FM DEVIATION	<ul style="list-style-type: none"> • Frequency display: 28MHz • FM mode • MIC GAIN CONTROL: MAX. CW • Apply an AF signal to the MIC CONNECTOR at 1.0kHz 10mV 	REAR PANEL	Connect a deviation meter to the ANTENNA CONNECTOR through an attenuator.	±4.7kHz	MAIN	R292	

MAIN UNIT

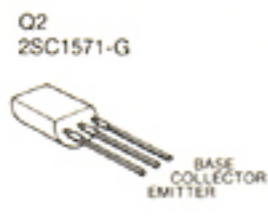
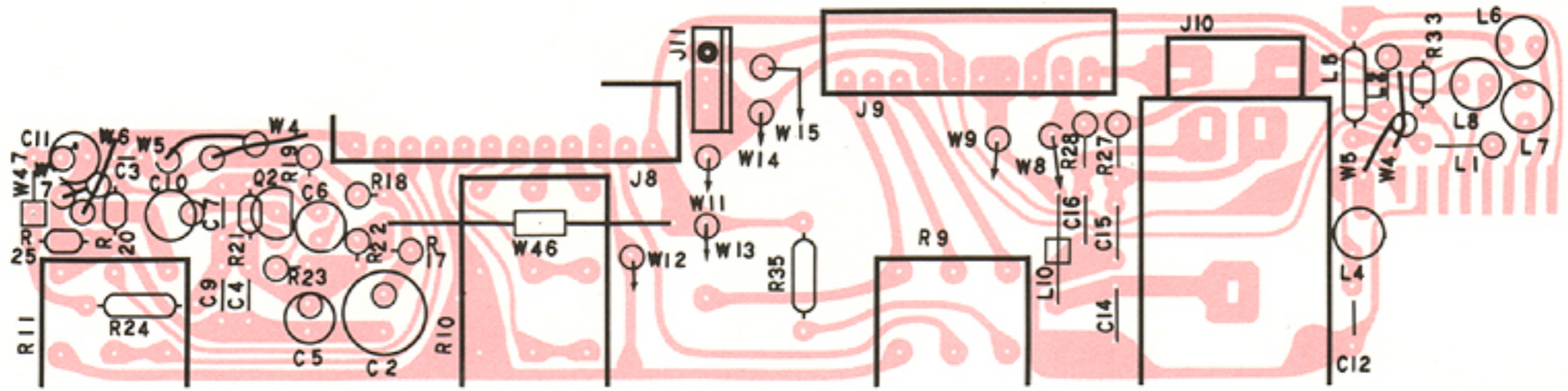


RF UNIT

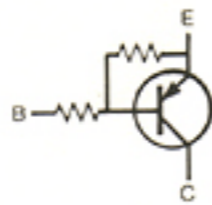
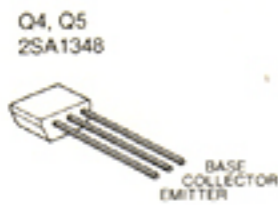
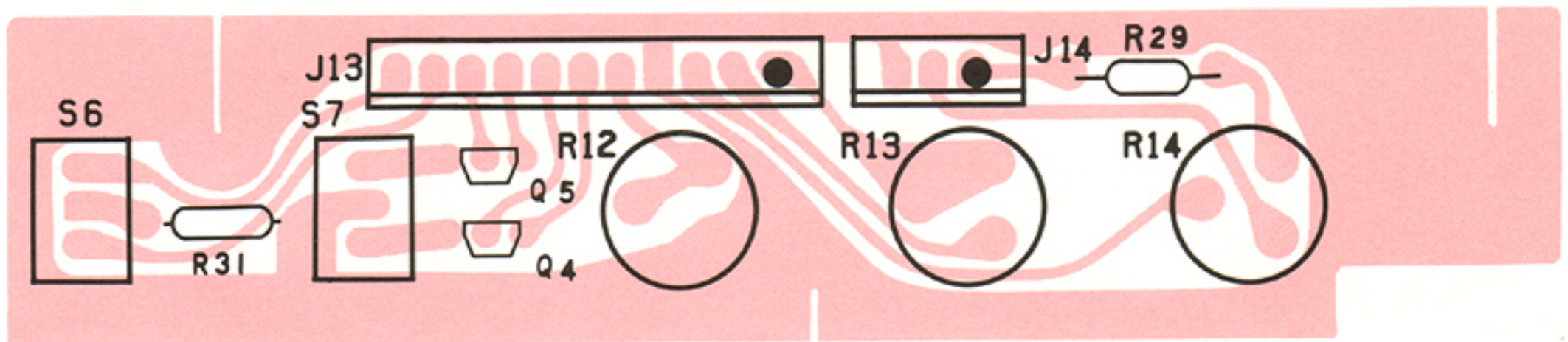


SECTION 7 BOARD LAYOUTS

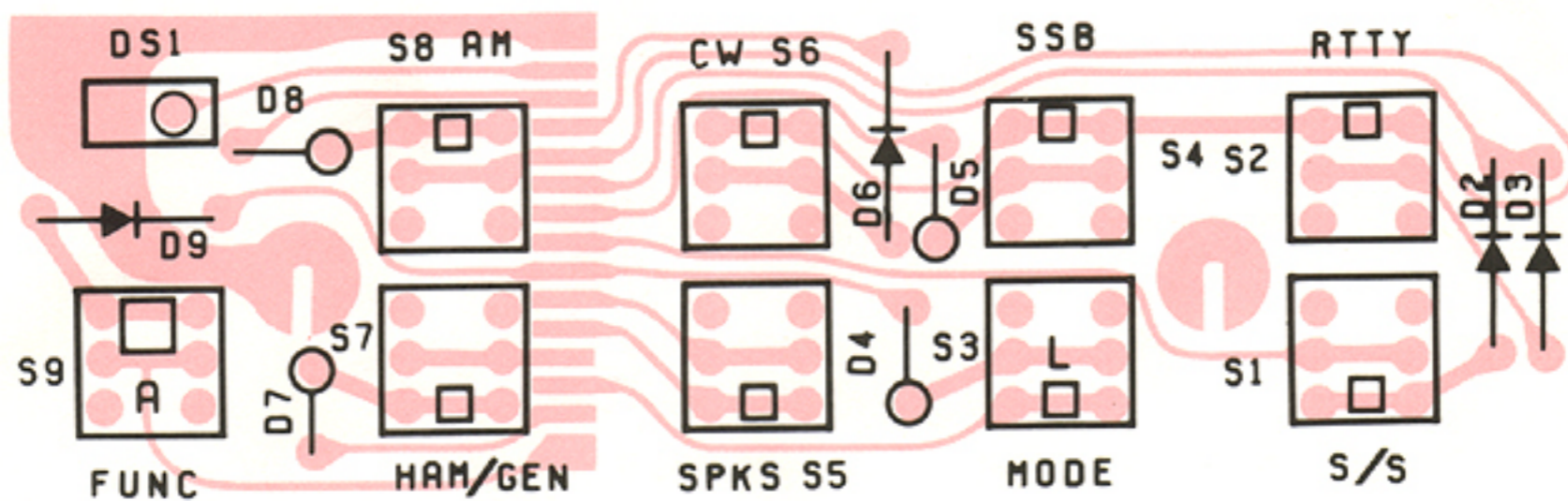
7 - 1 FRONT AF UNIT



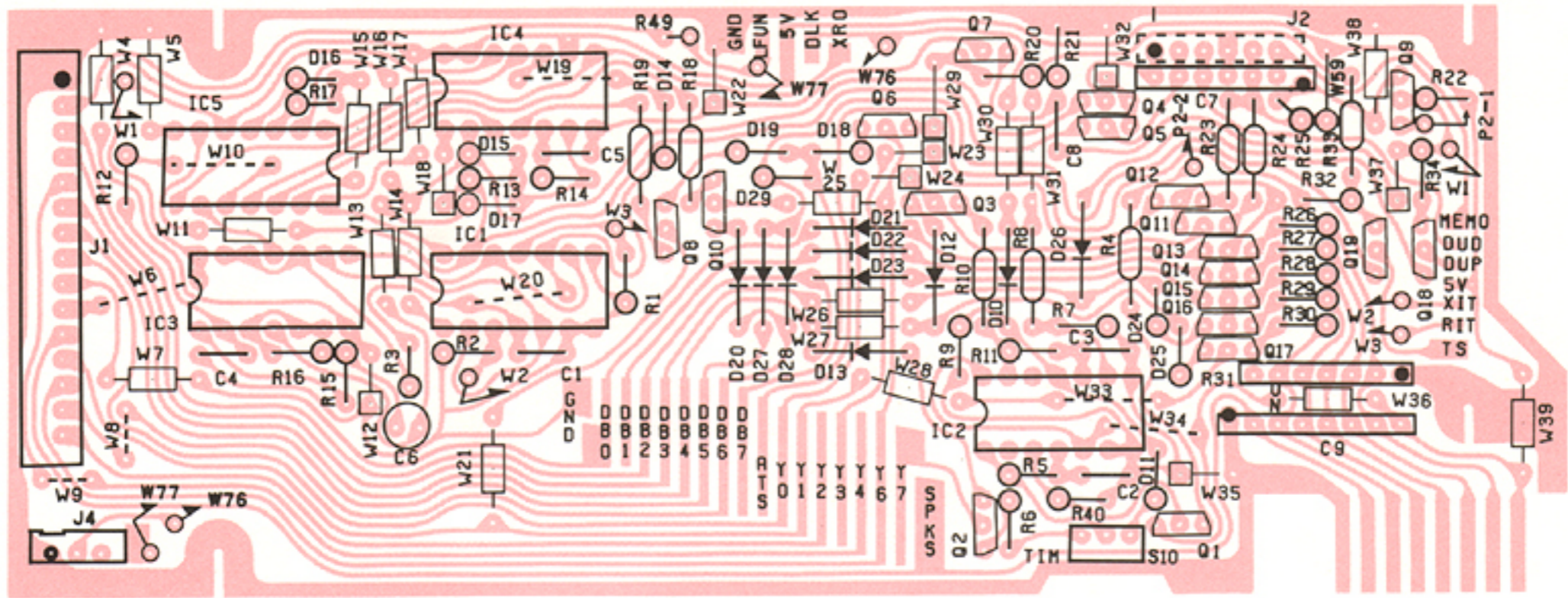
7 - 2 FRONT MARKER UNIT



7 - 3 FRONT MODE SWITCH UNIT



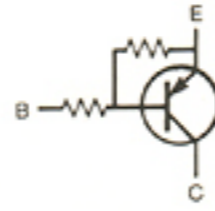
7 - 4 MATRIX UNIT



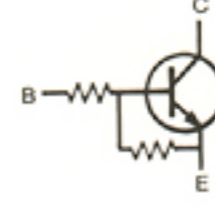
Q2, Q3, Q6, Q8, Q10, Q13-Q19
2SC2458-GR



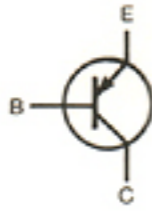
Q23, Q24
2SA1348



Q4, Q5, Q9
2SC3399



Q1, Q7
2SA1048

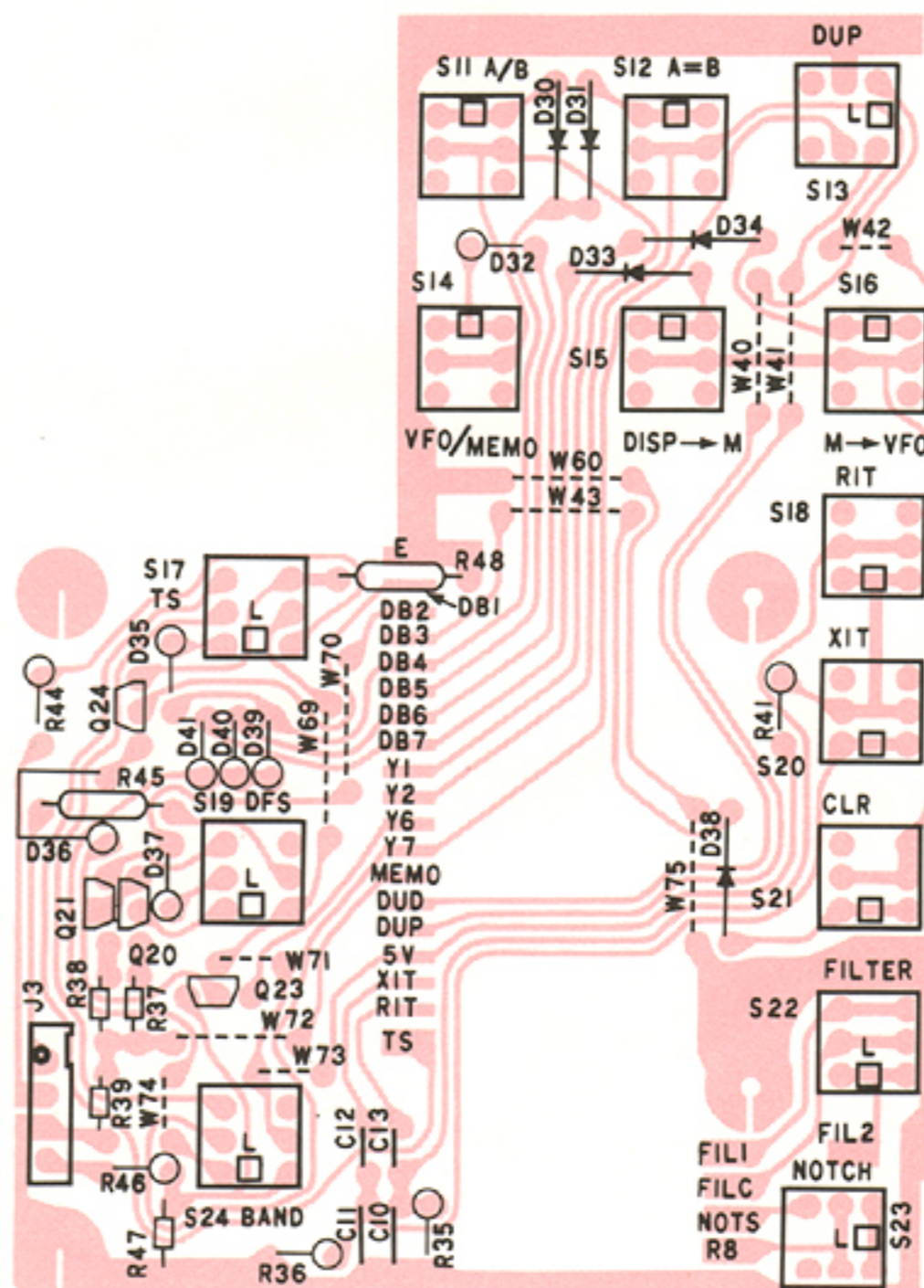


7 - 5 MATRIX SWITCH UNIT

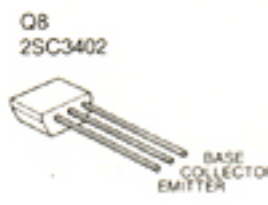
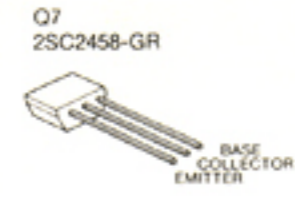
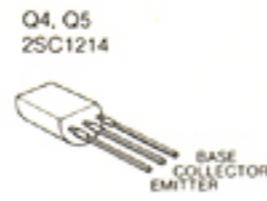
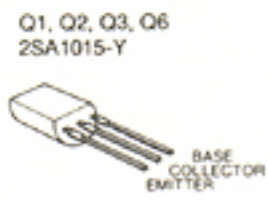
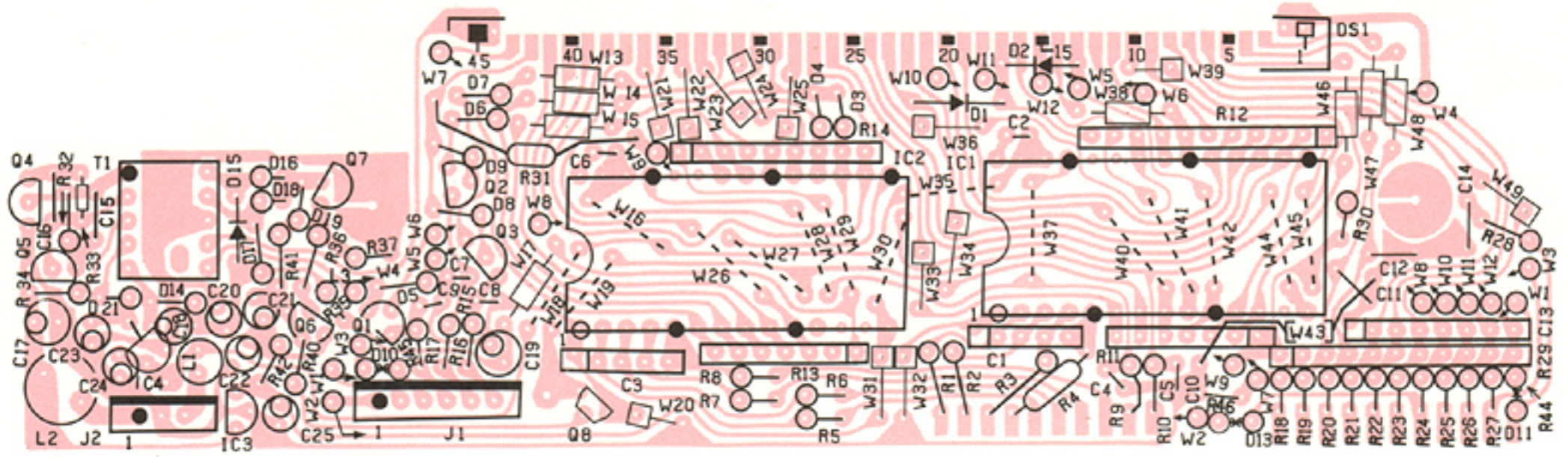
Q20
2SA1048



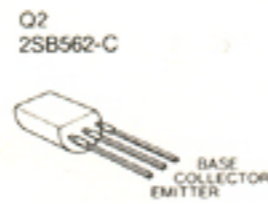
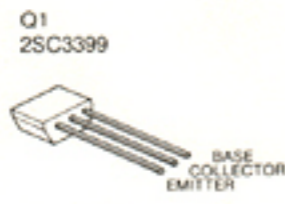
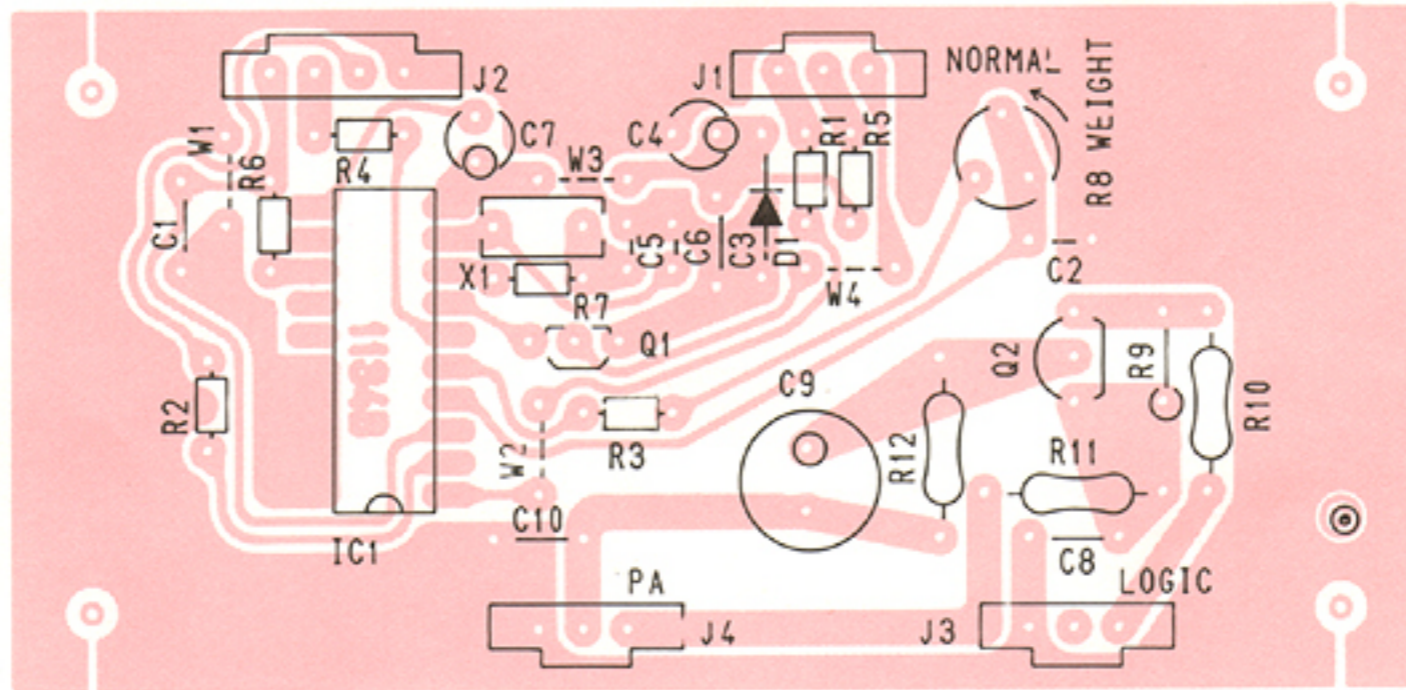
Q21
2SC2458-GR

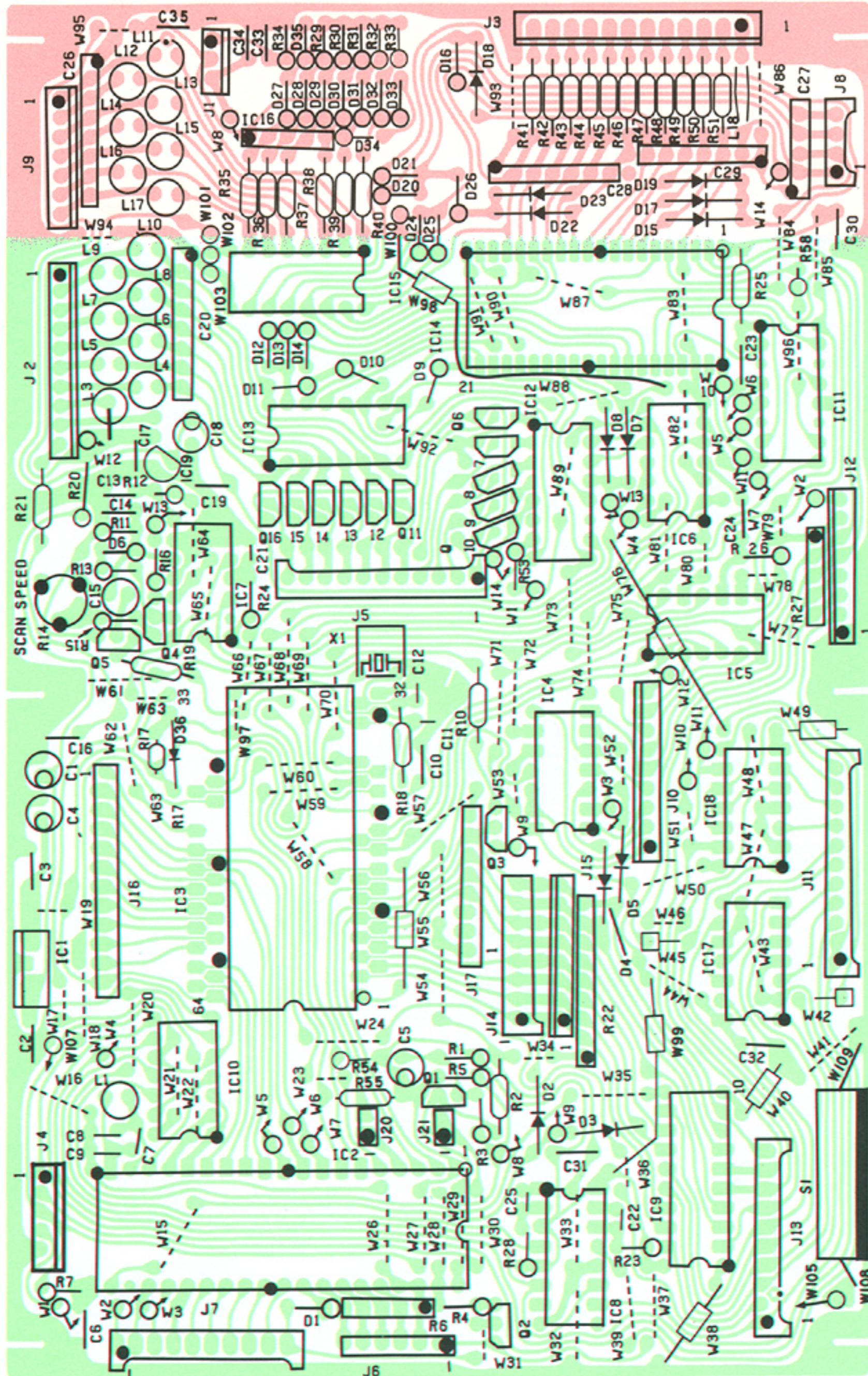


7-6 DISPLAY UNIT



7-7 KEYSER UNIT





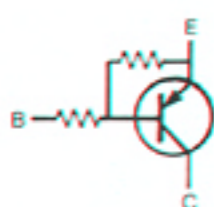
Q1, Q2, Q3
2SA1048-Y



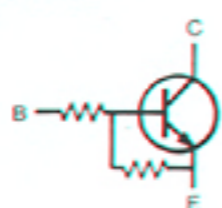
Q4, Q5
2SC2458-GR



Q6-Q16
2SA1348



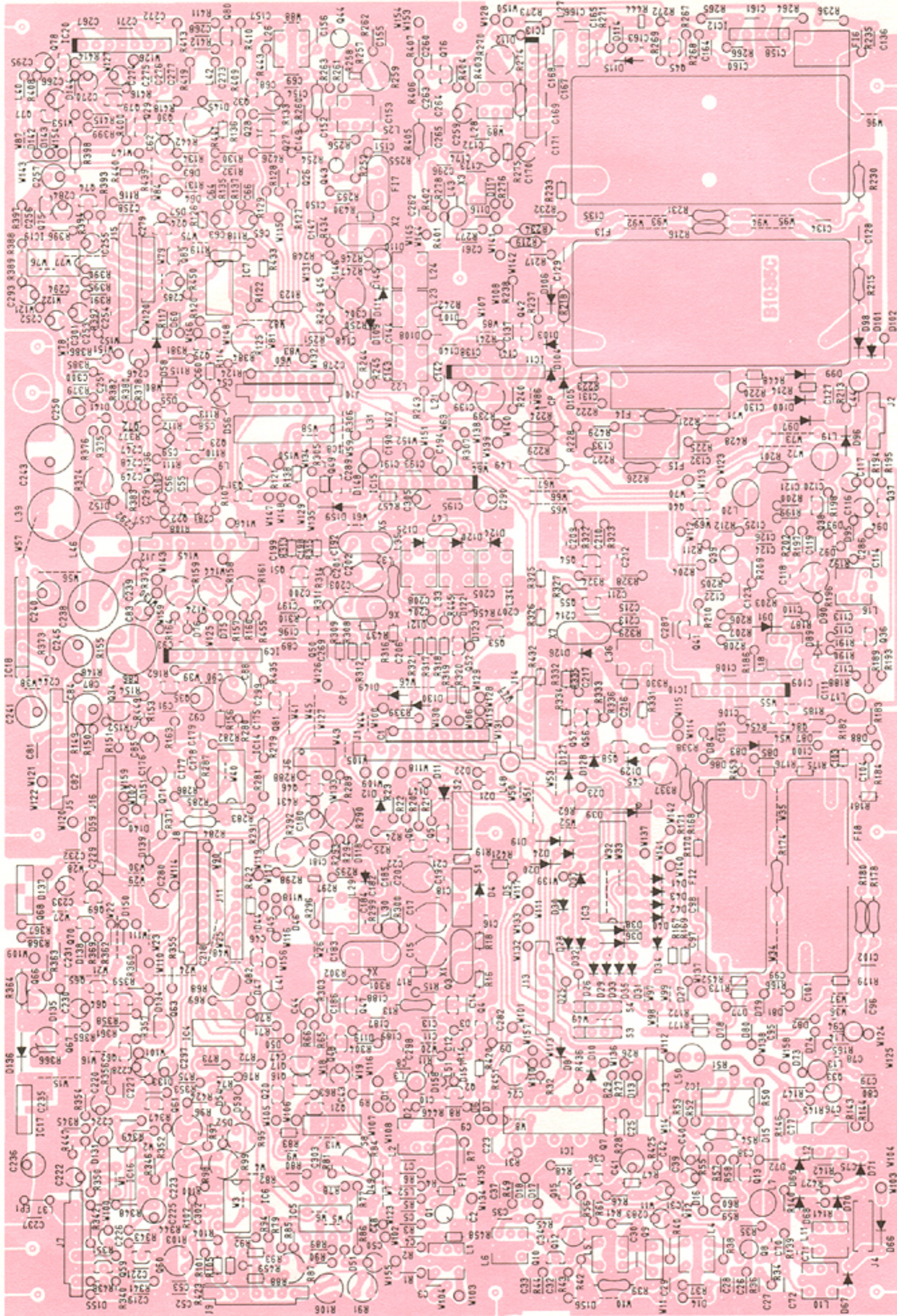
Q17, Q18, Q20, Q21
2SC3399



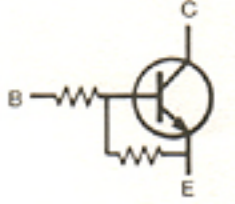
Q19
2SB562-C



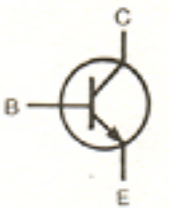
7-9 MAIN UNIT



Q4, Q5, Q20, Q21, Q25,
Q41, Q48, Q52, Q53, Q56
Q57, Q69, Q74, Q75, Q81
25C3402



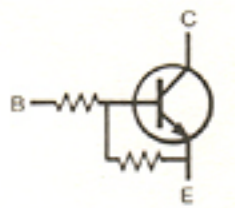
Q6, Q7, Q11, Q22, Q23, Q32,
Q35, Q37, Q46, Q60, Q62, Q64,
Q65, Q67, Q70, Q76, Q78, Q79
25C2458



Q12, Q15, Q17
25C2878



Q29, Q31, Q40
Q71, Q77, Q83
25C3399



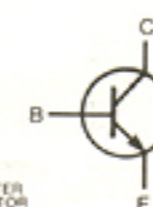
Q34
25C1571



Q63, Q66
25D468-C



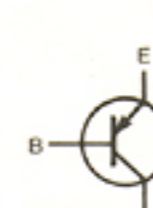
Q68
25D880-Y



Q2, Q49
25K241-Y



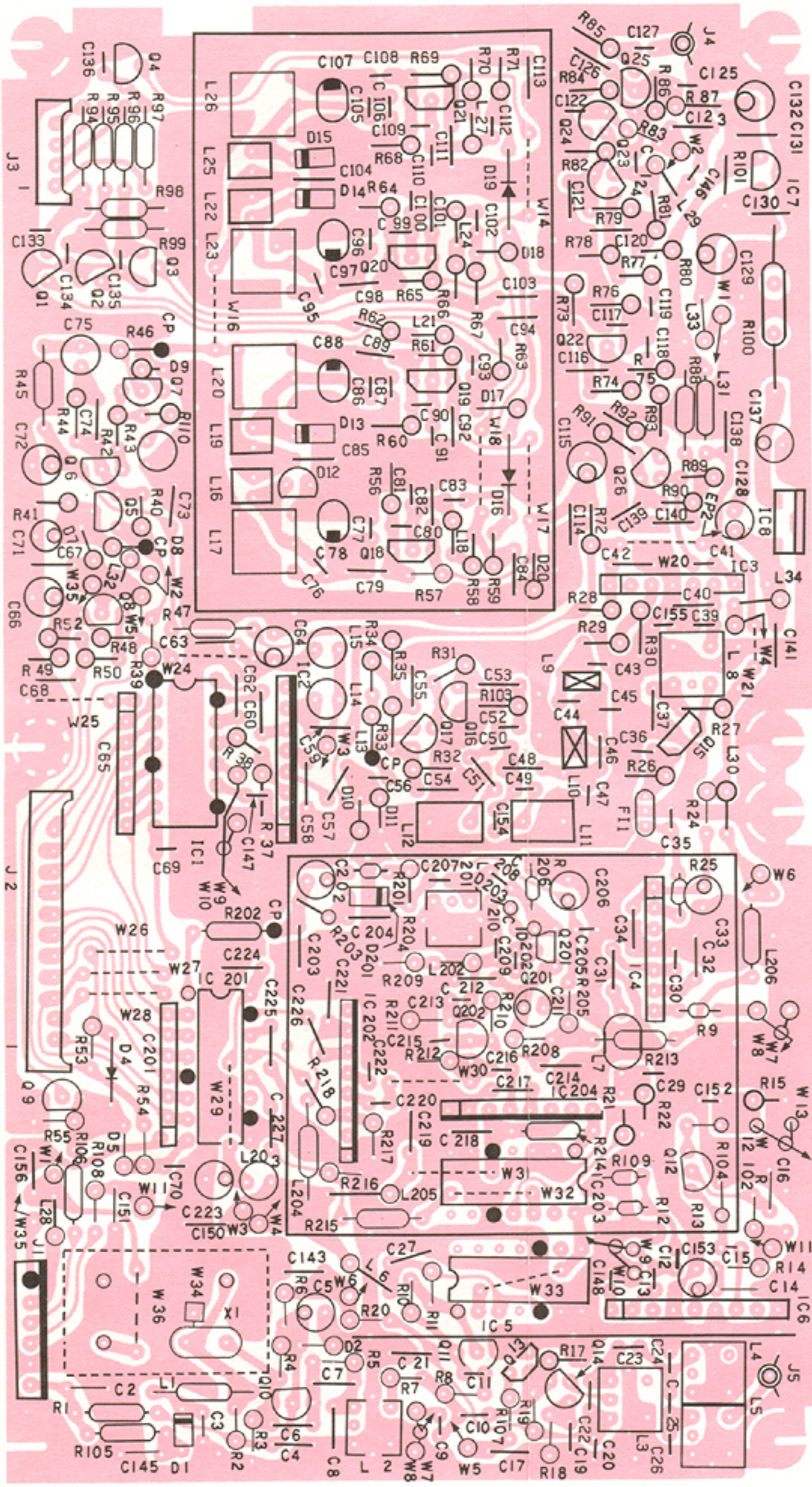
Q13, Q26, Q27, Q28,
Q58, Q61, Q82
25A1048-GR



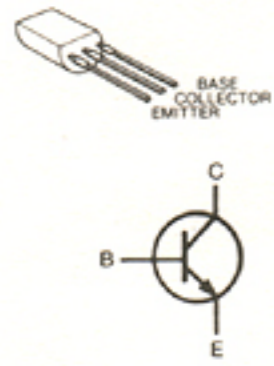
Q1, Q8, Q33, Q39,
Q43, Q44
3SK74-M (FET)



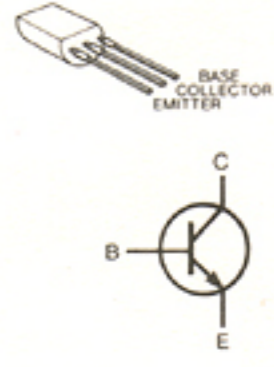
7-10 PLL UNIT



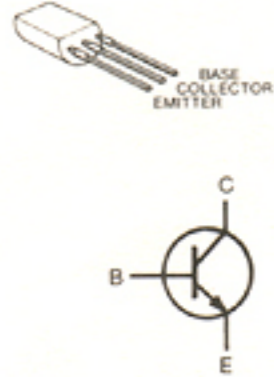
Q1-Q4, Q9, Q10
2SC945-P



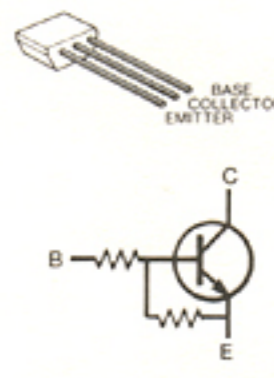
Q7
2SC1571-G



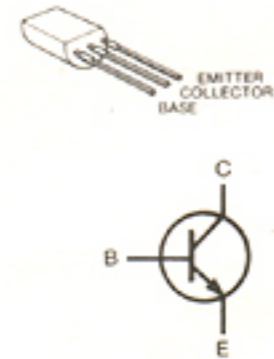
Q11, Q14, Q16, Q17
Q22, Q23, Q25, Q26
2SC383-TM



Q13
2SC3399



Q202
2SC763-C



Q5, Q6
2SK30A-Y



Q201
2SK192A-GR



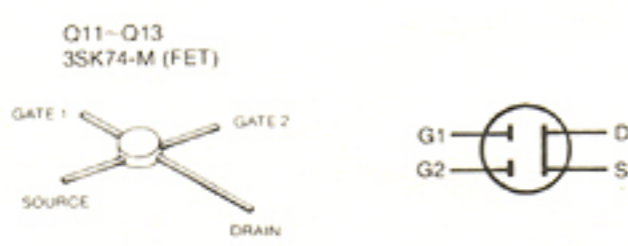
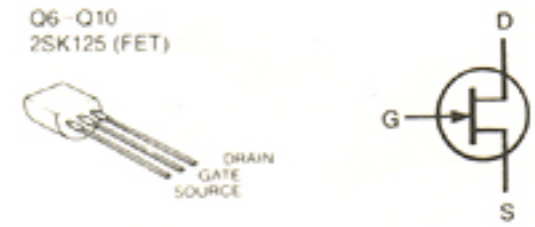
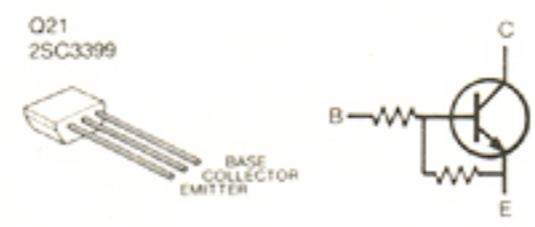
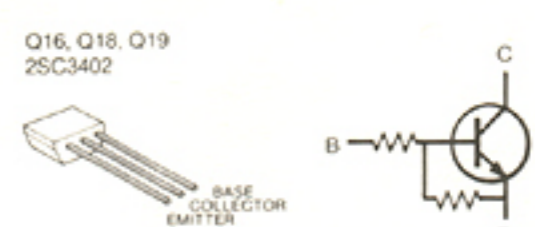
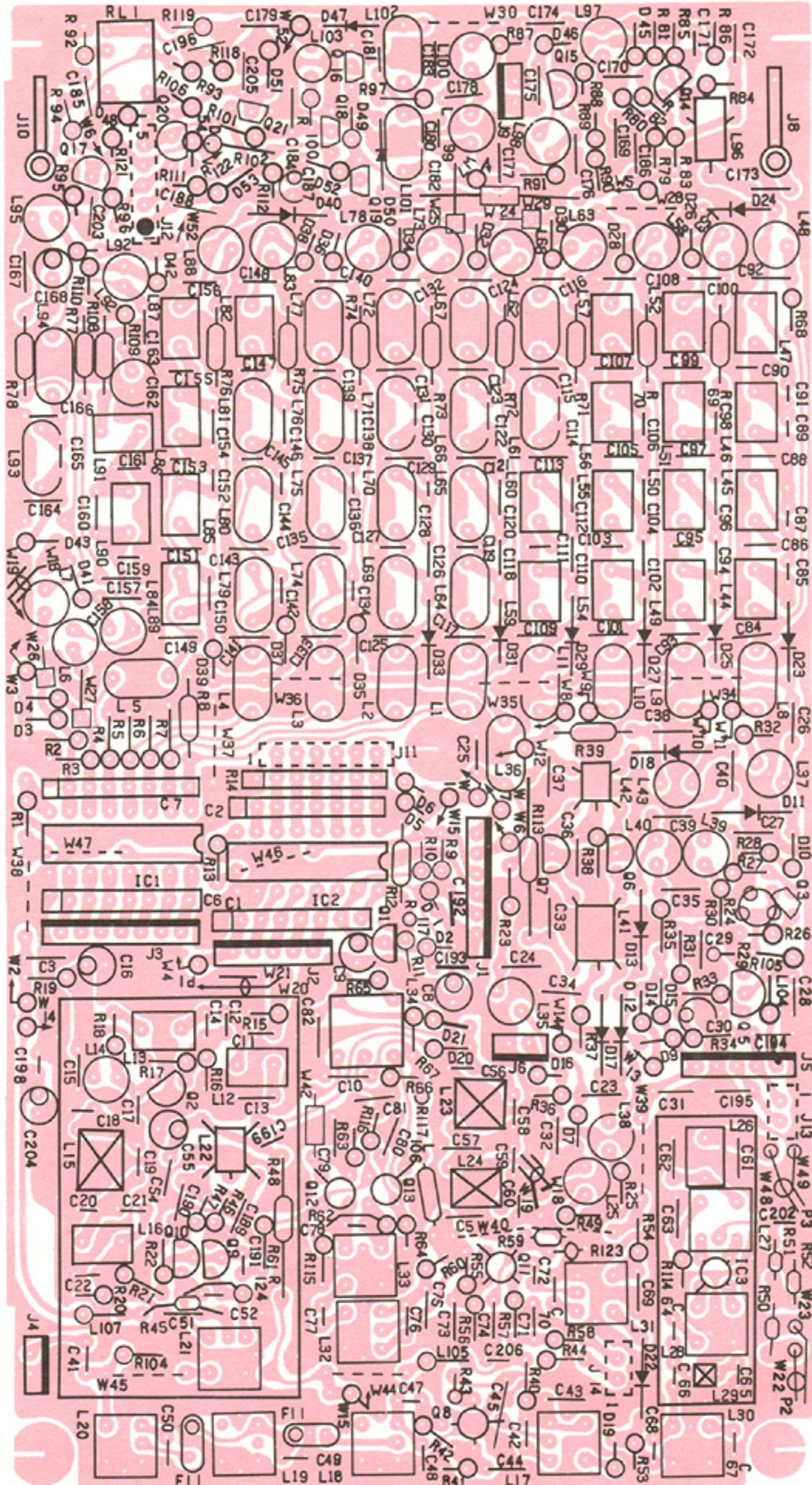
Q15
2SK241-Y

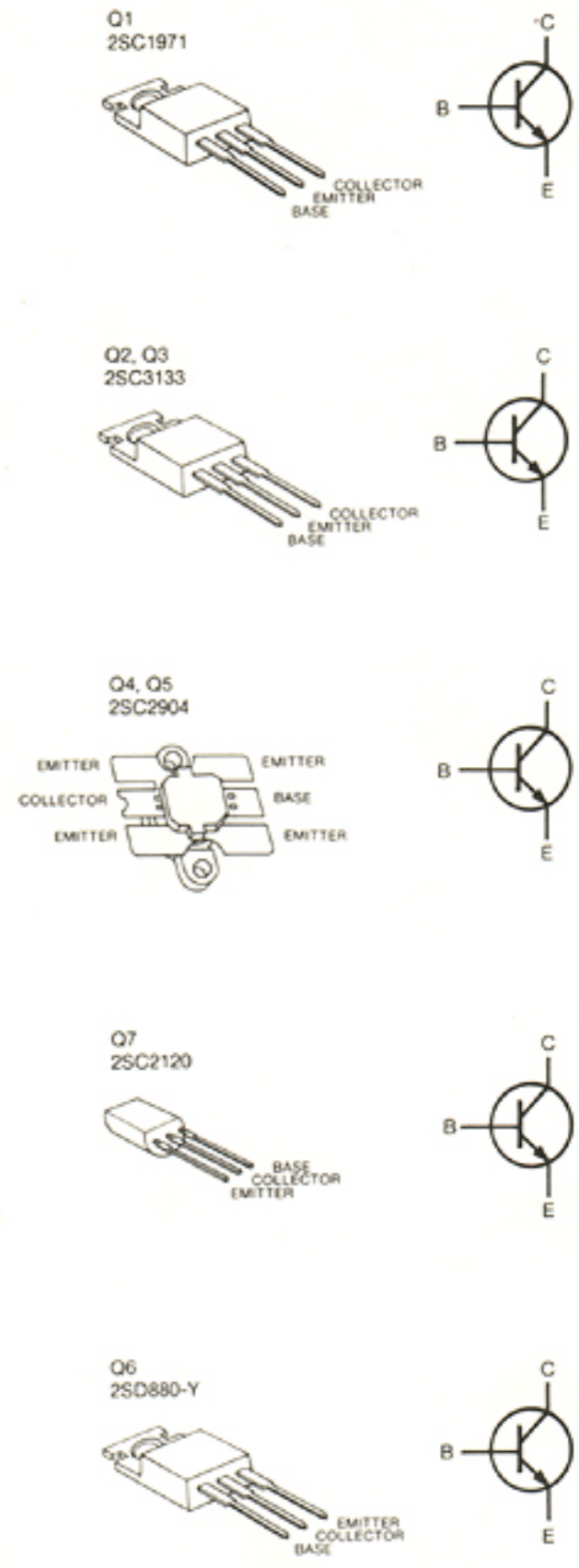
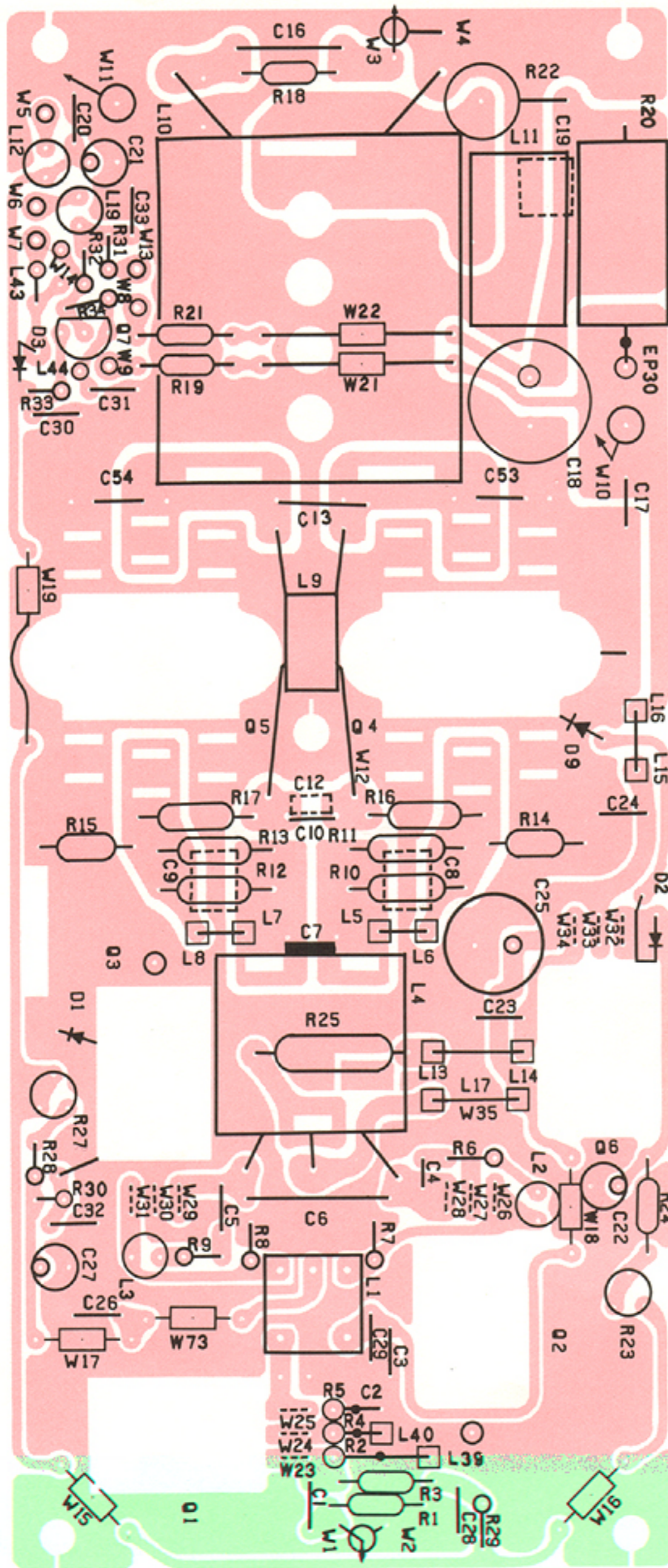


Q8
2SA1015-Y

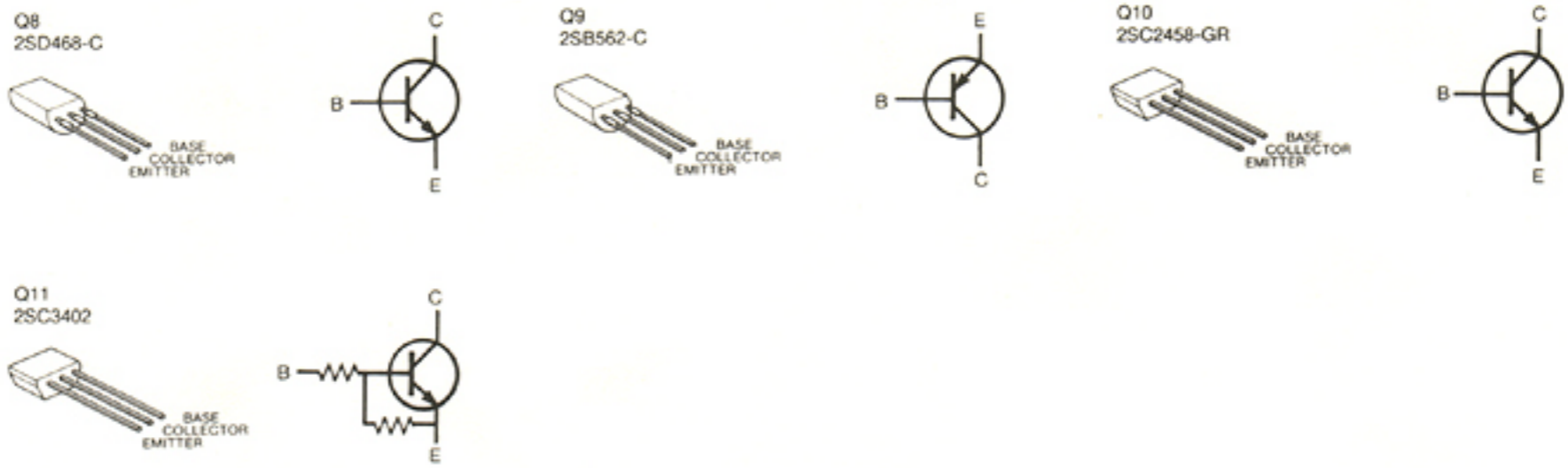
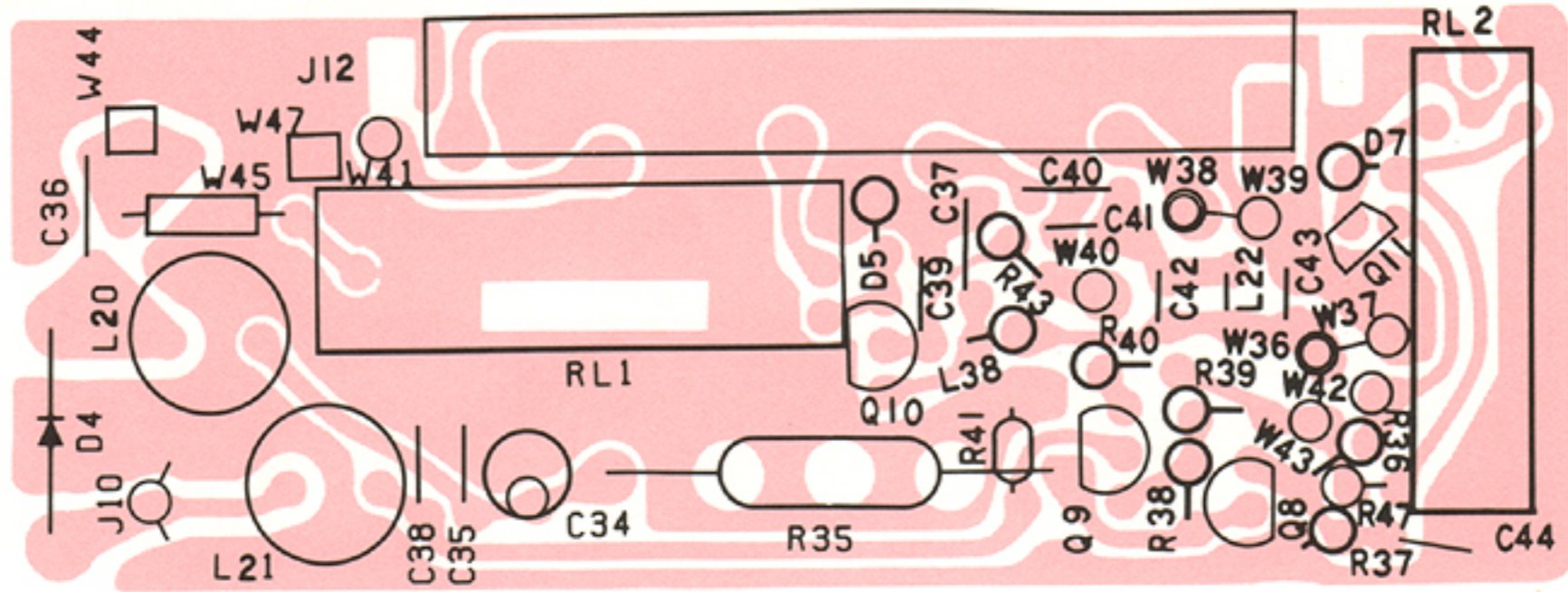


7-11 RF UNIT

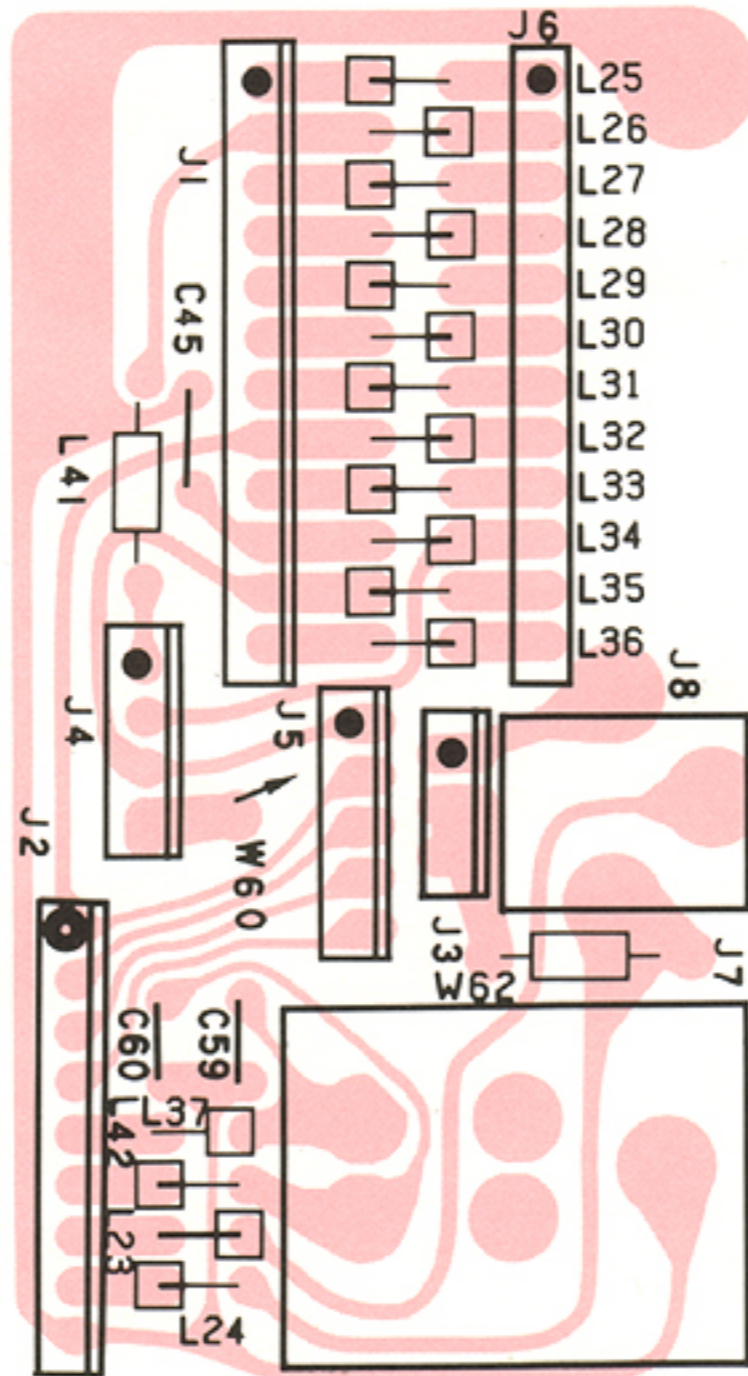




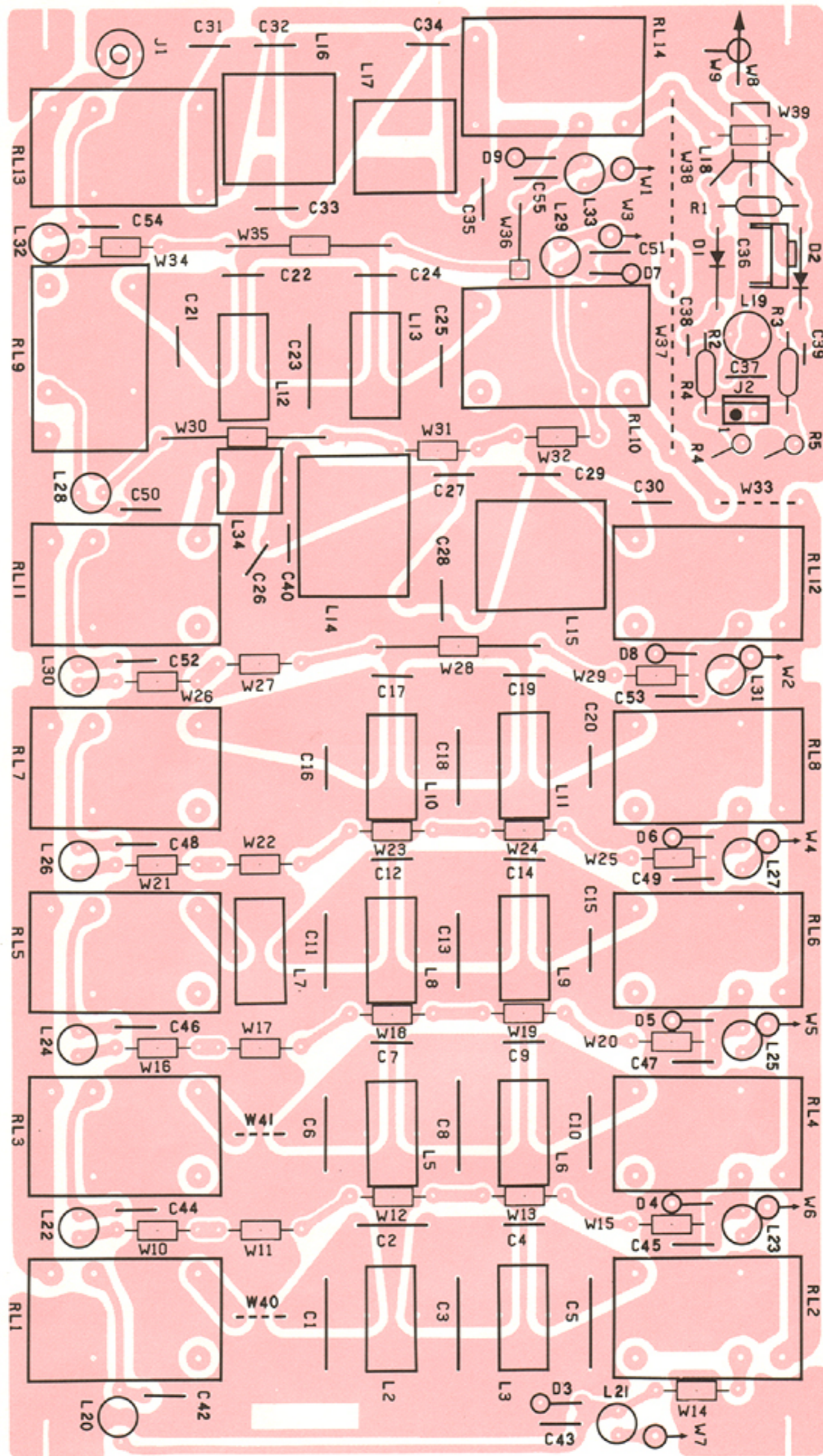
7 - 13 PA CONNECTOR UNIT



7 - 14 PA CHOKE UNIT



7 - 15 FILTER UNIT



SECTION 8 VOLTAGE/CIRCUIT DIAGRAMS

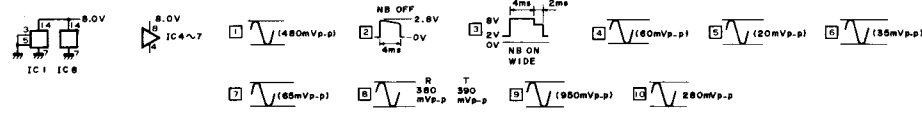
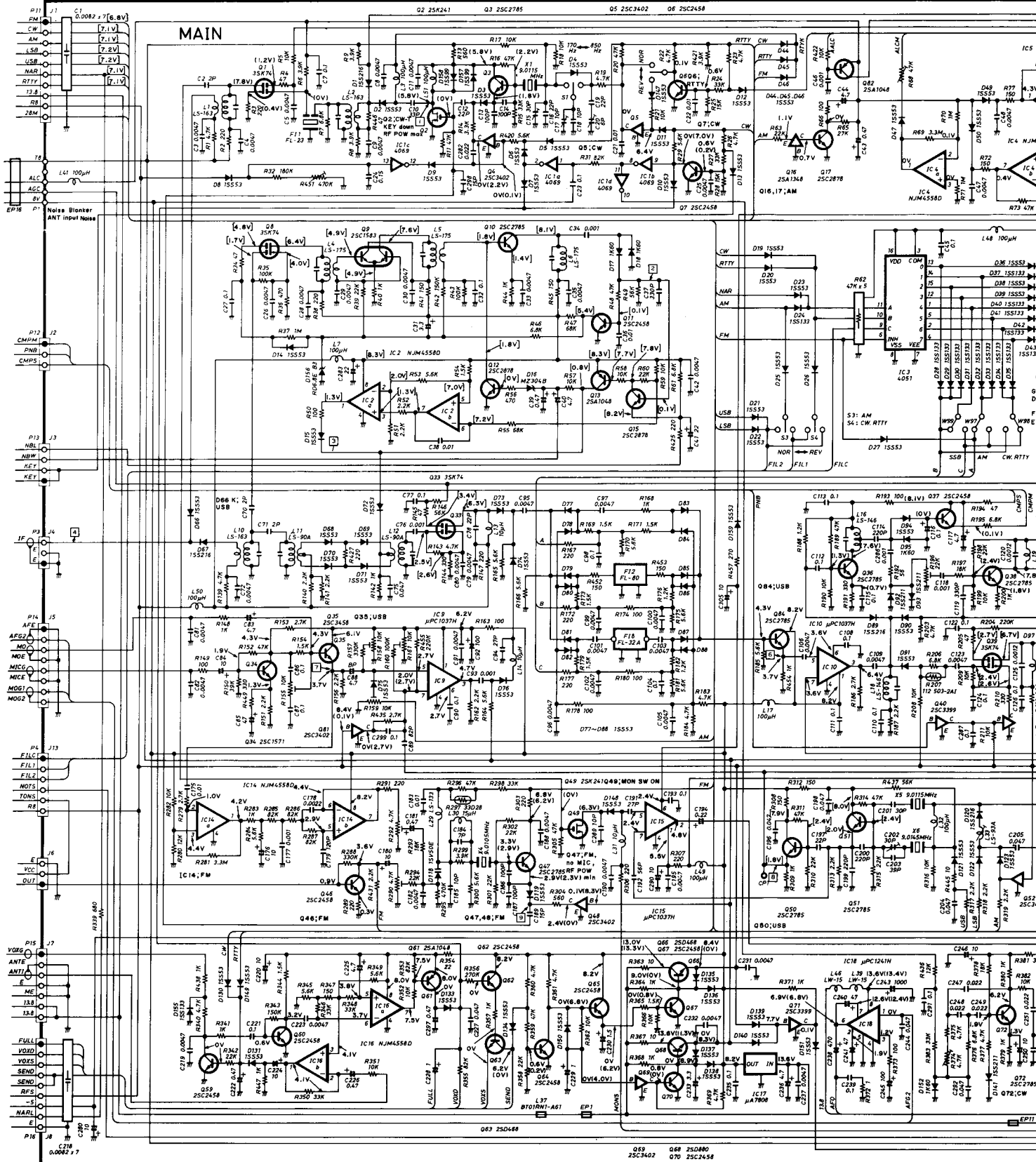
8-1 MAIN UNIT

Condition of Measurement

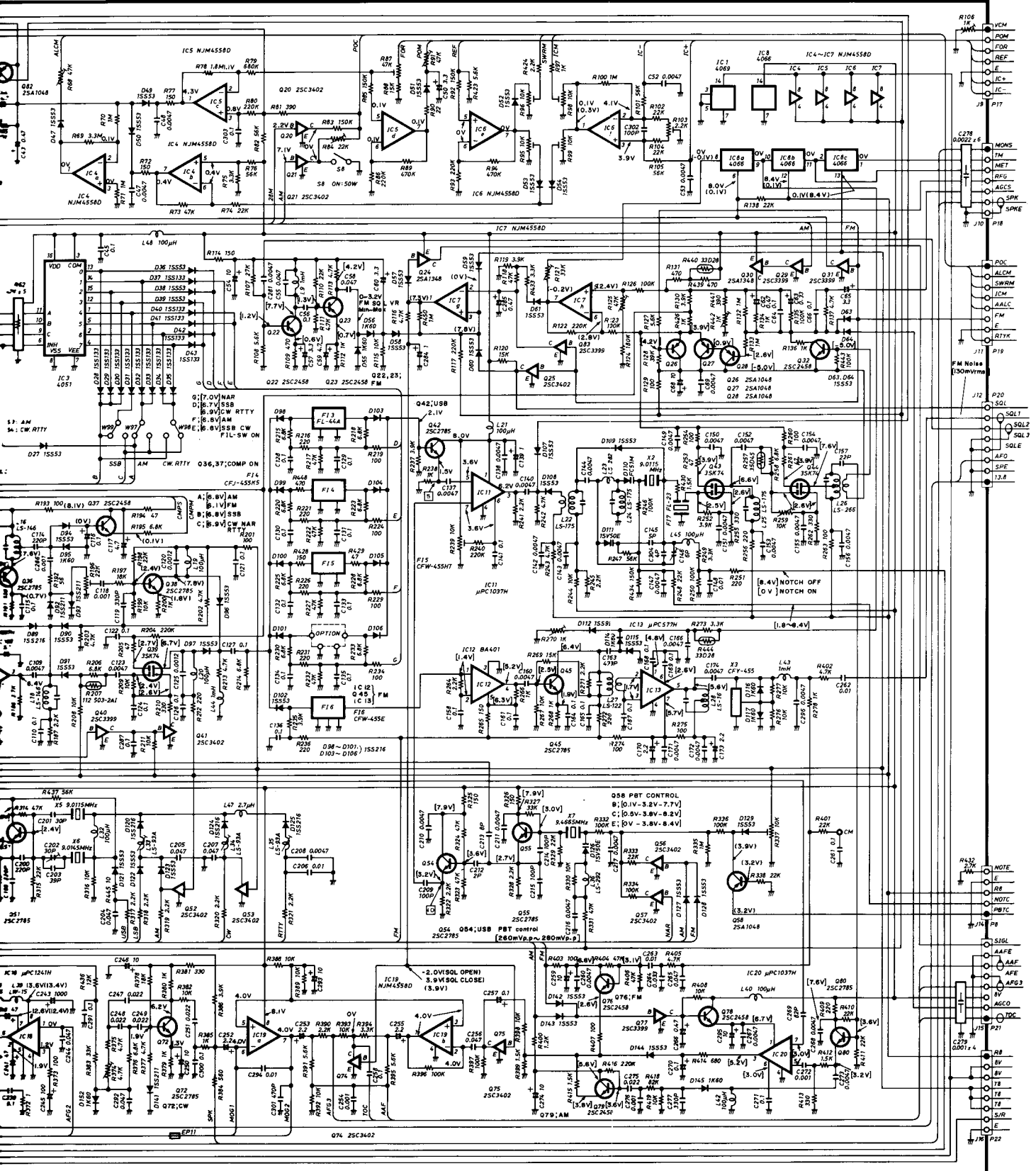
.TX
USB 14.097MHz no modulation
(RF POWER CONT. MAX DELAY: FULL)
MIC GAIN: CENTER
VOX GAIN: OFF

.RX
USB 14.097MHz
(RF GAIN: MAX AGC: OFF)
TONE CONTROL: CENTER NR: OFF

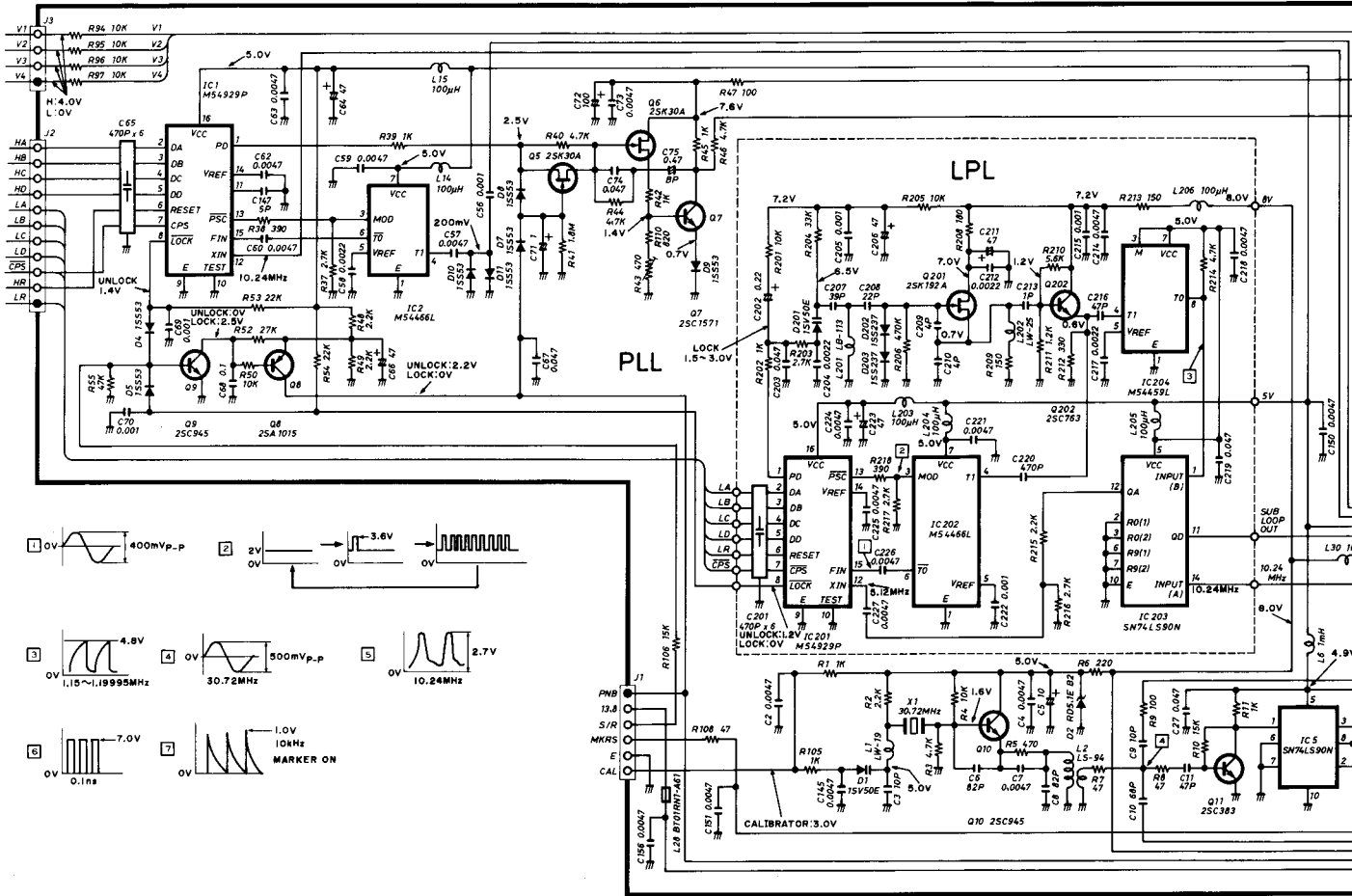
Note
1: Measure with Tester 50V Δ V
2: 1: TX
A(B)=A--RX, B--TX
C = RX, TX common.

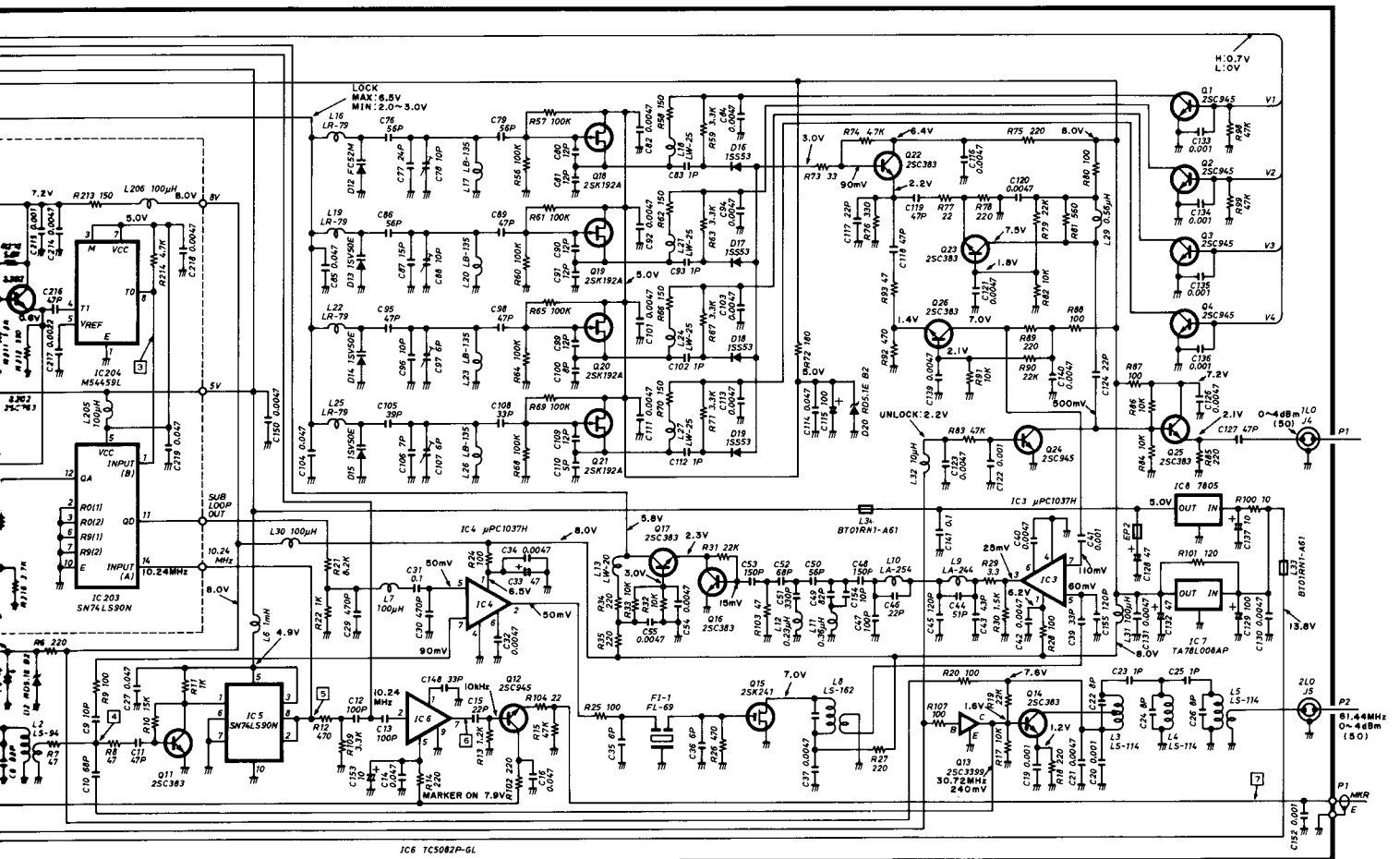


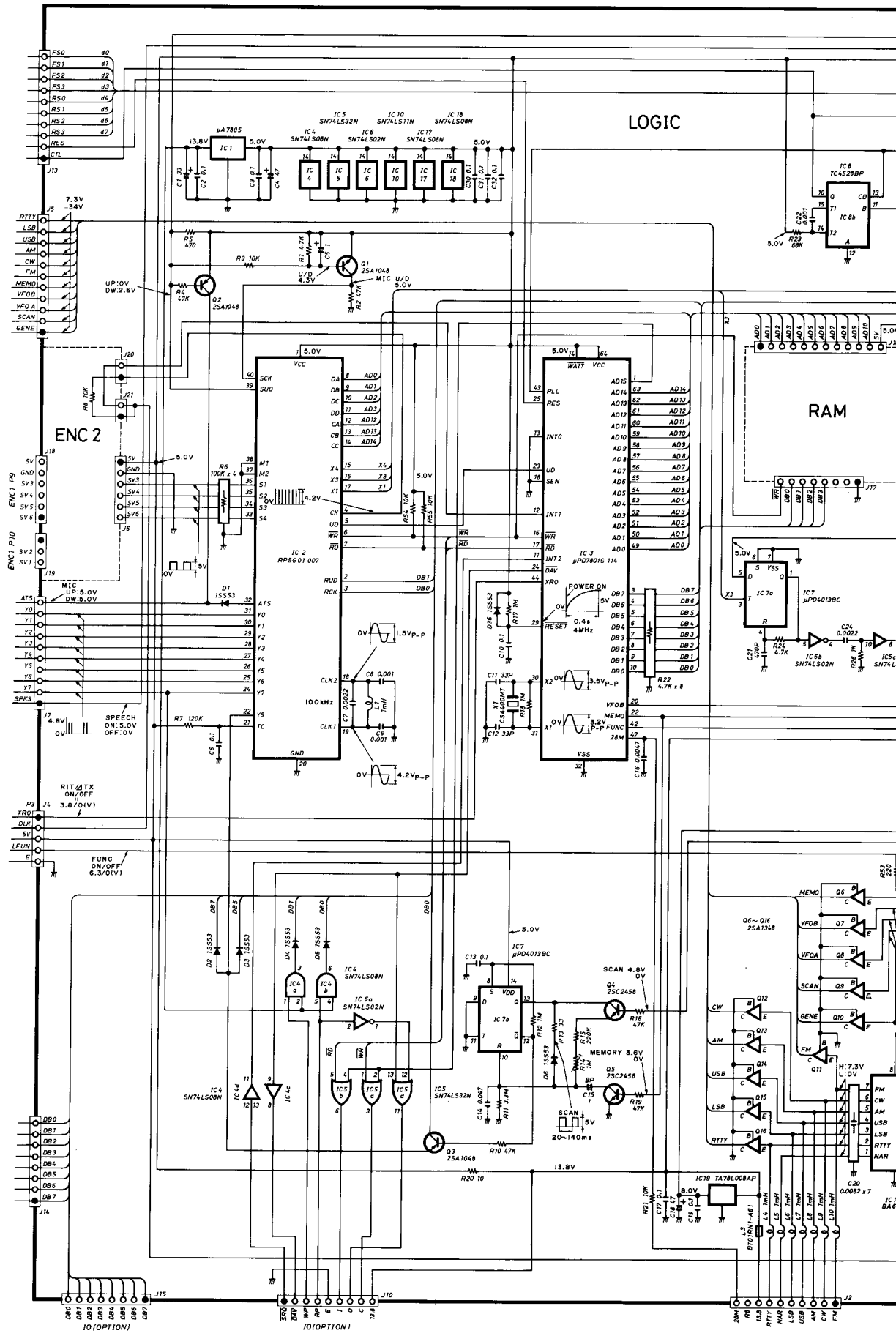
IC 7	SQL open	SQL closed
1	3.4V	7.3V
2	0V	0V
3	0.4V	2.4V(max)
4	5.0V	5.0V
5	2.4V	2.4V
6	2.8V	2.8V
7	0.1V	0.1V
8	8.1V	8.1V

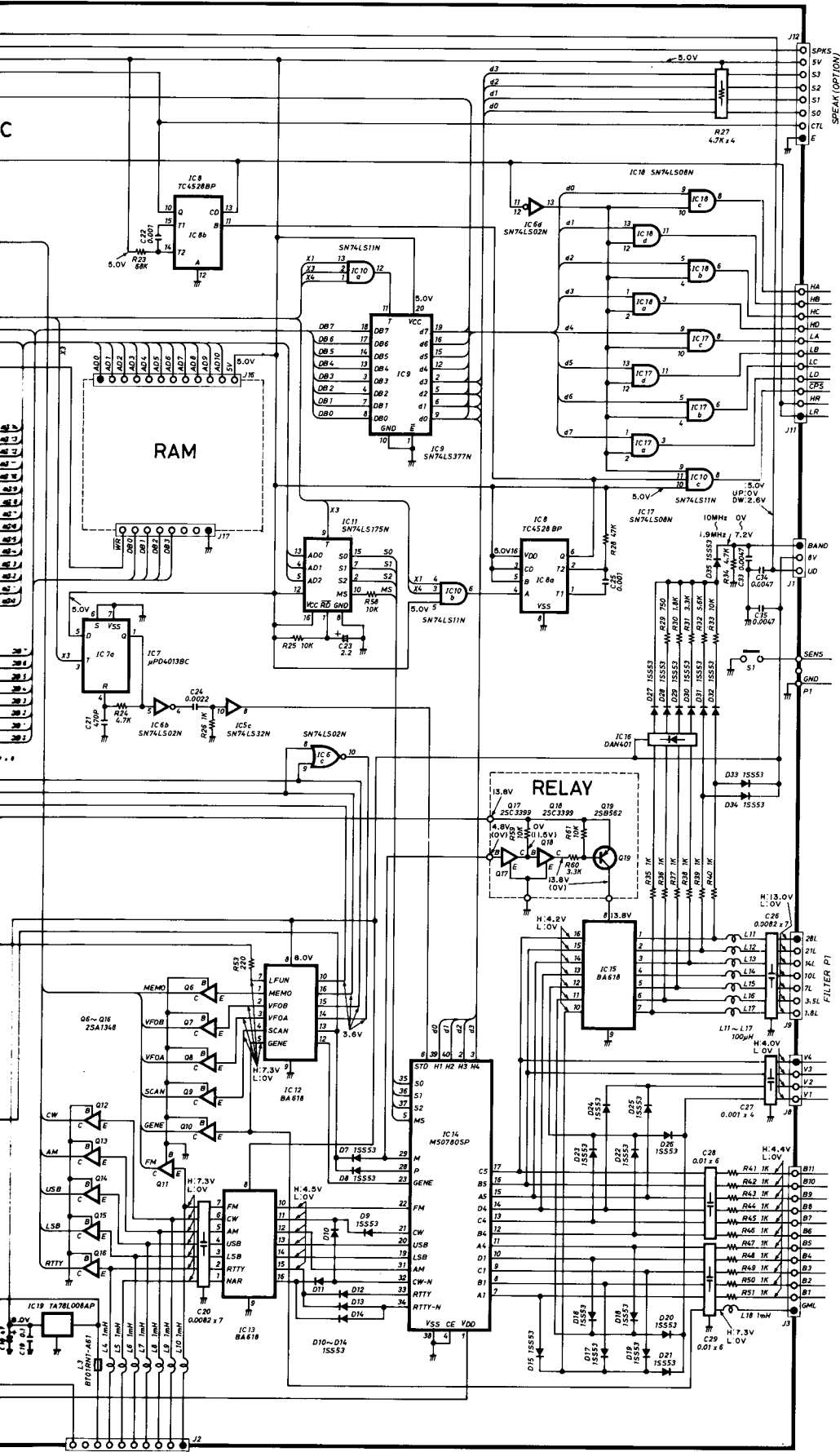


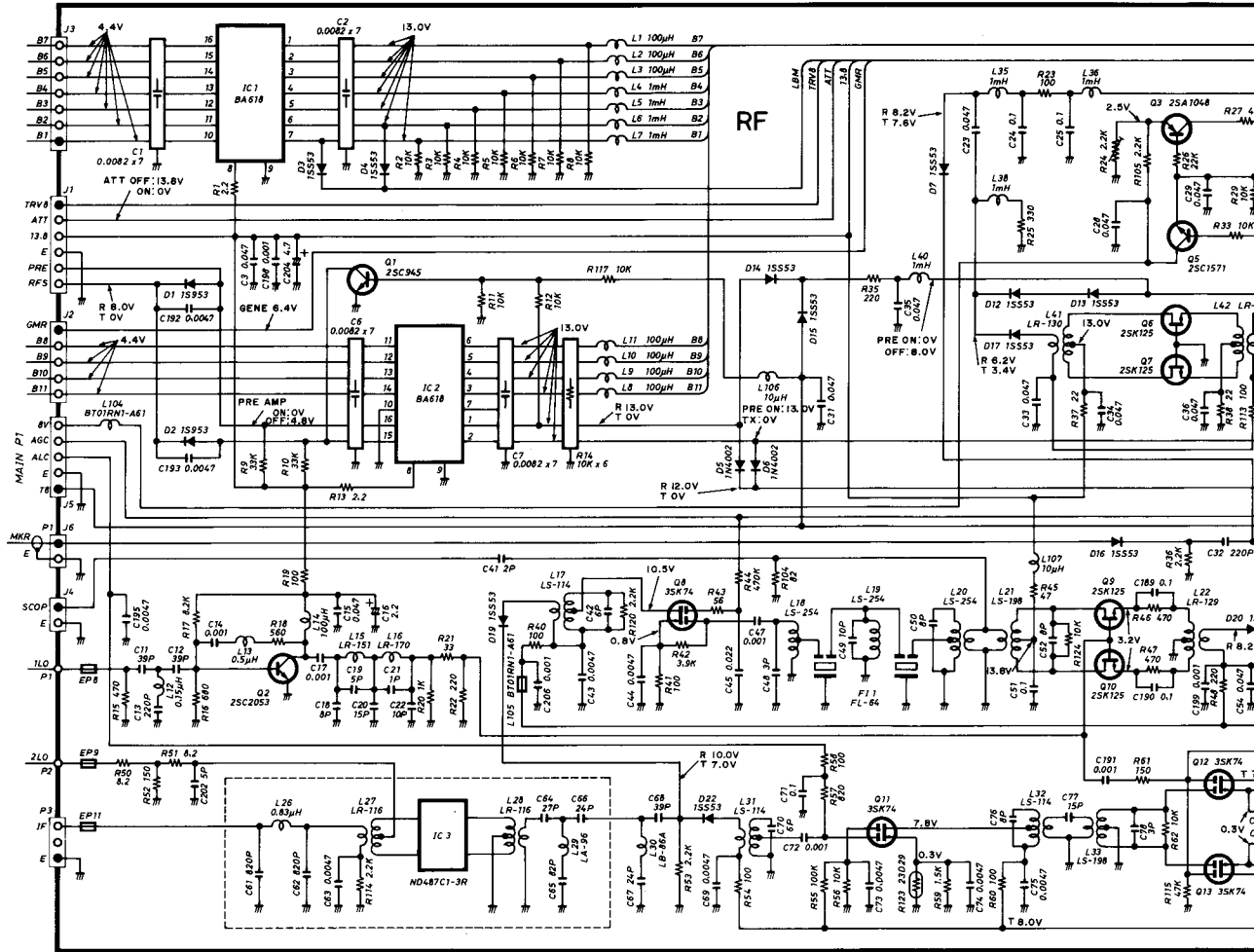
8-2 PLL UNIT

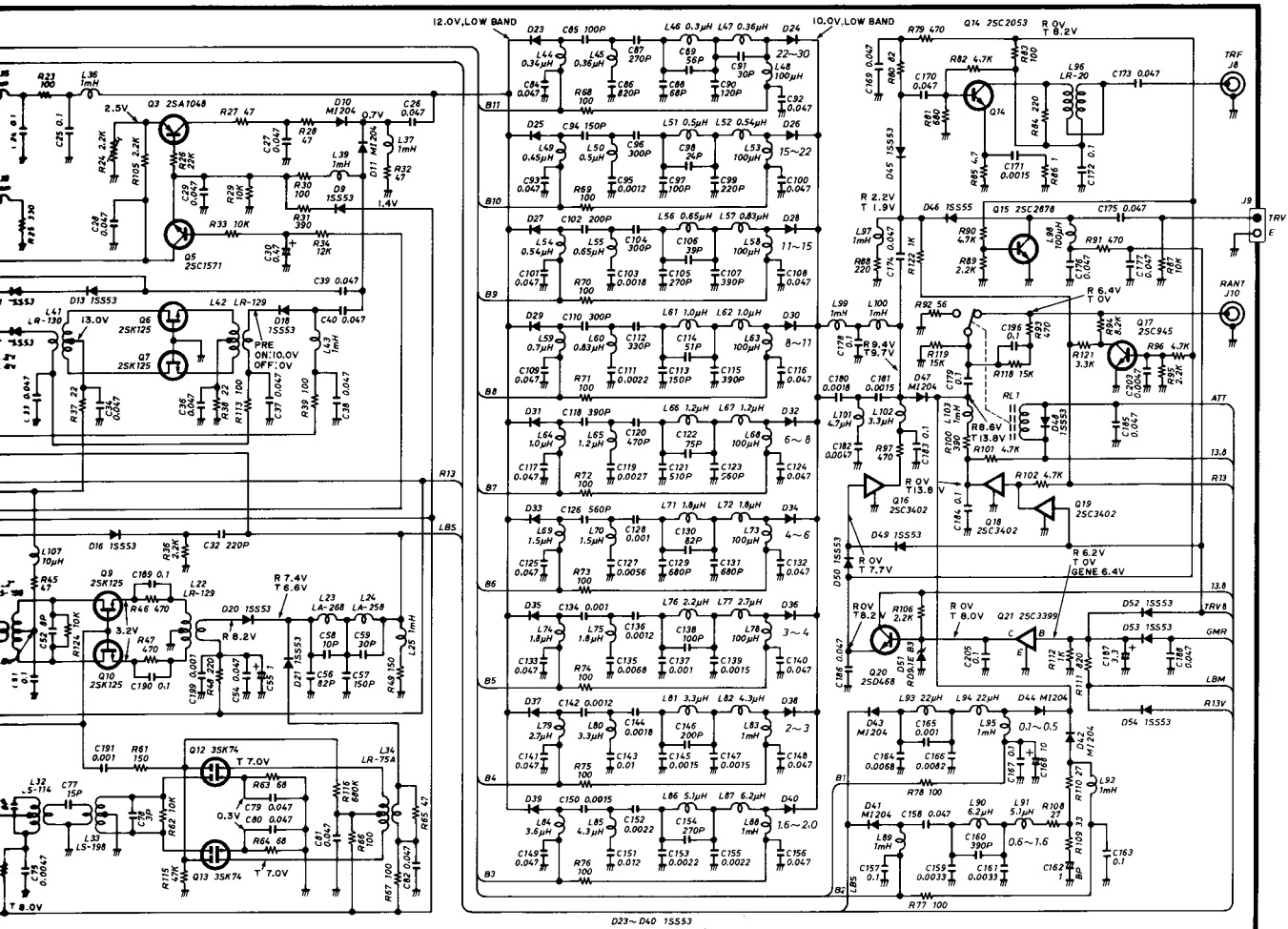


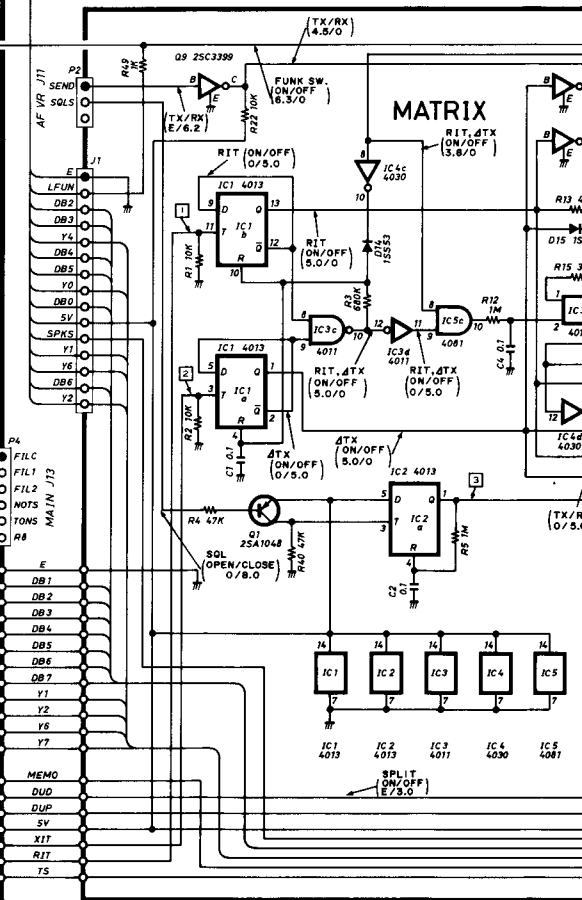
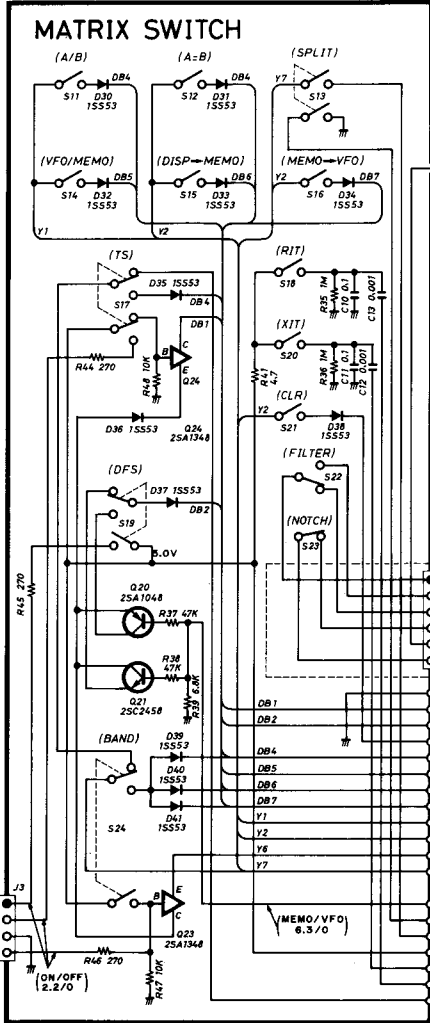
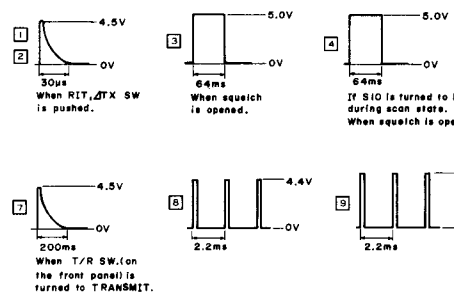
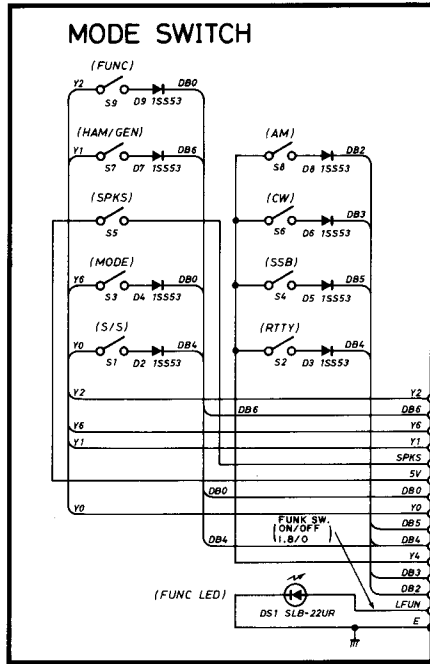


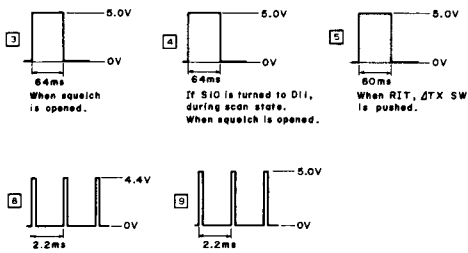




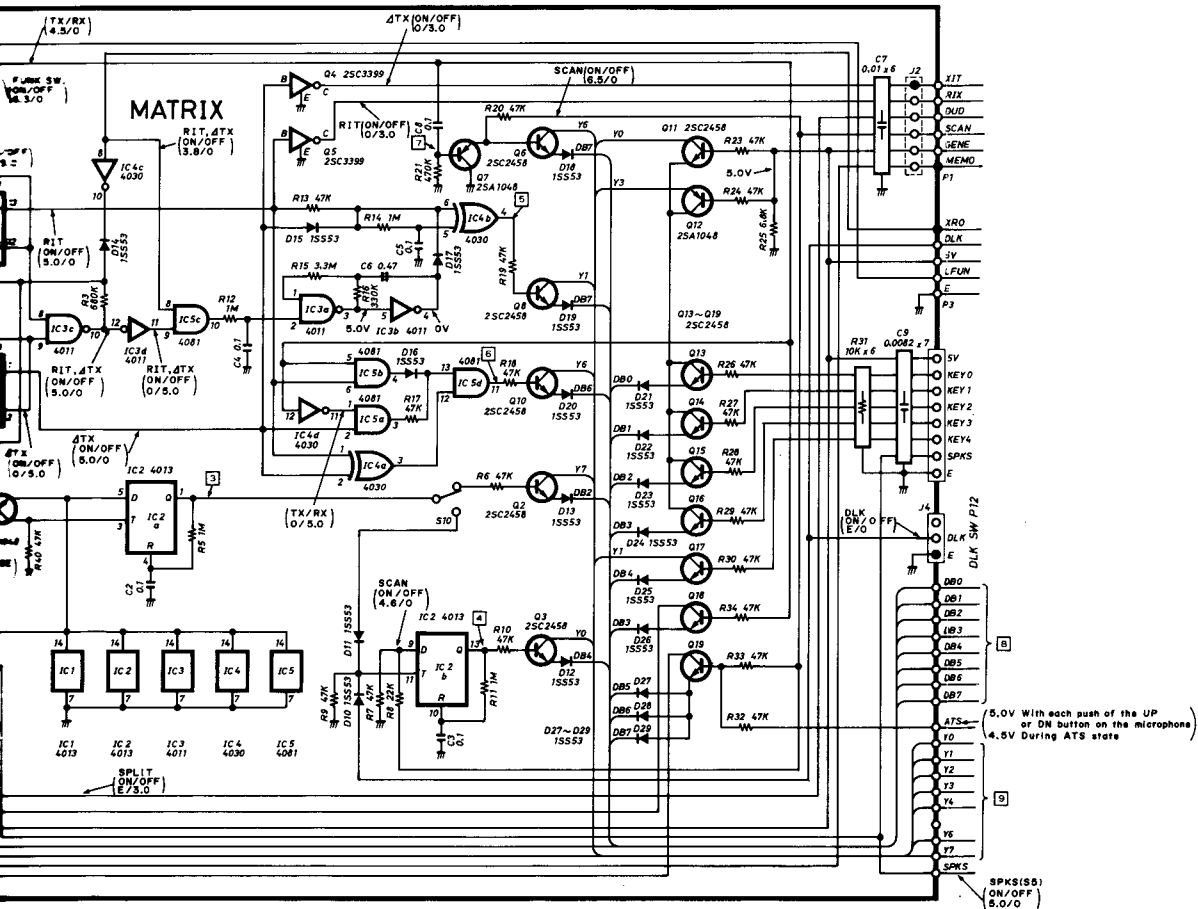


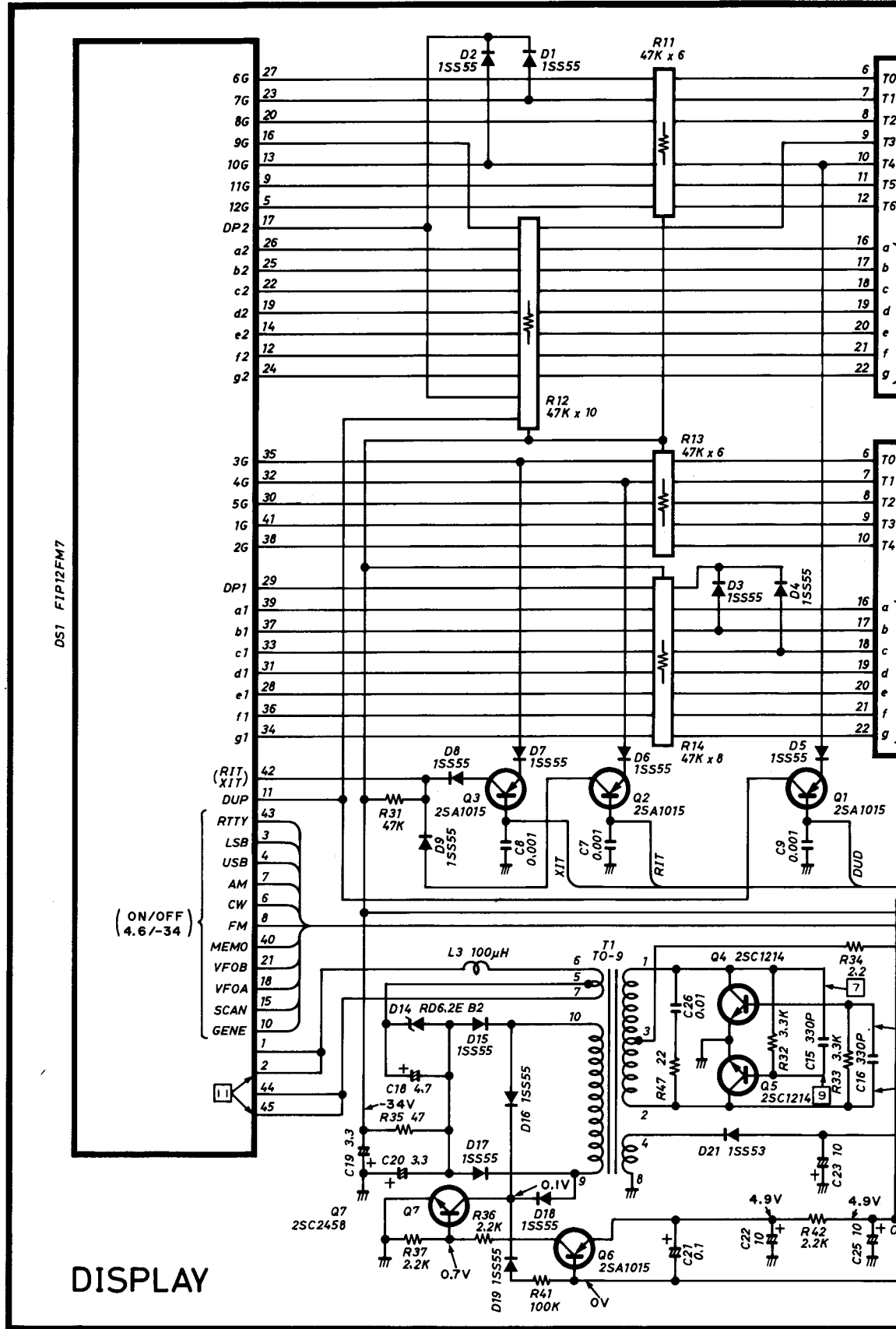


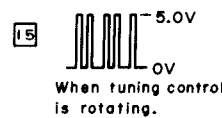
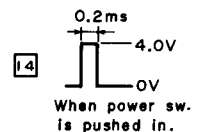
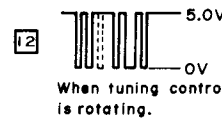
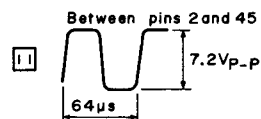
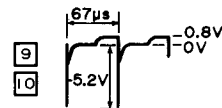
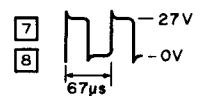
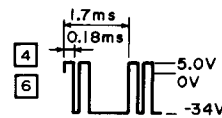
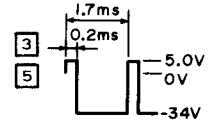
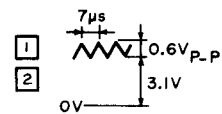
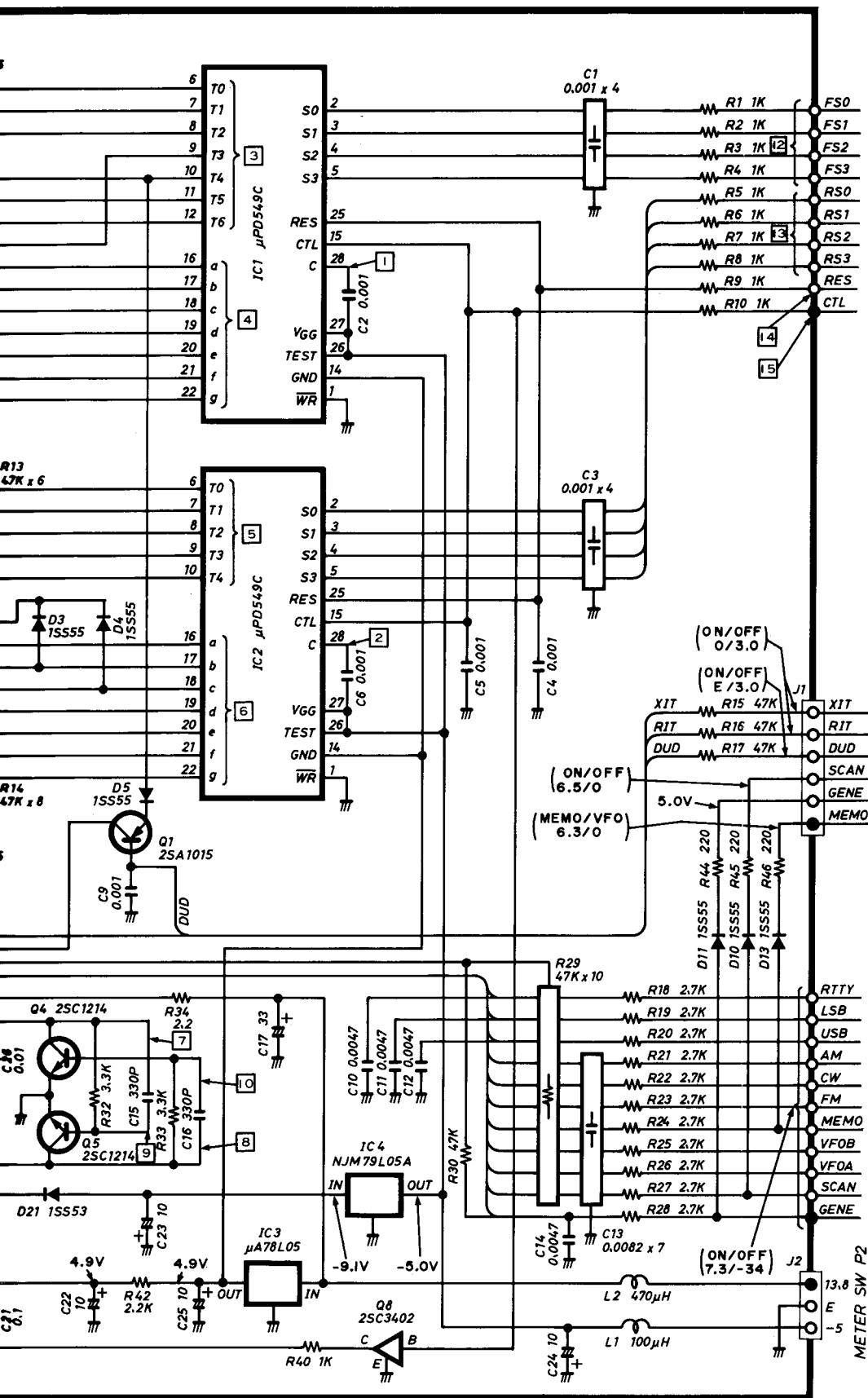


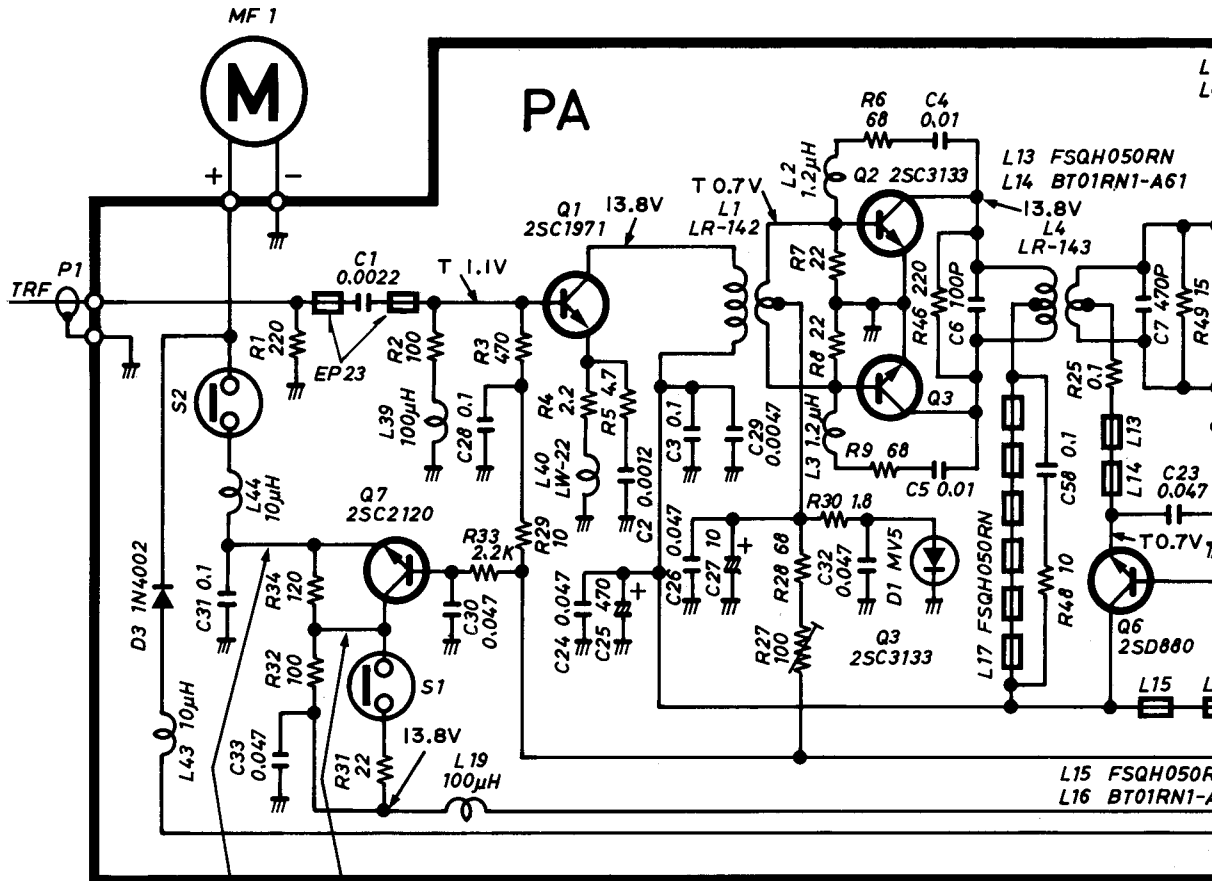


RIT	ΔTX	T/X	E
OFF	OFF	RX	0
OFF	OFF	TX	0
ON	OFF	RX	0
ON	OFF	TX	5.0
OFF	ON	RX	5.0
OFF	ON	TX	0
ON	ON	RX	0
ON	ON	TX	0

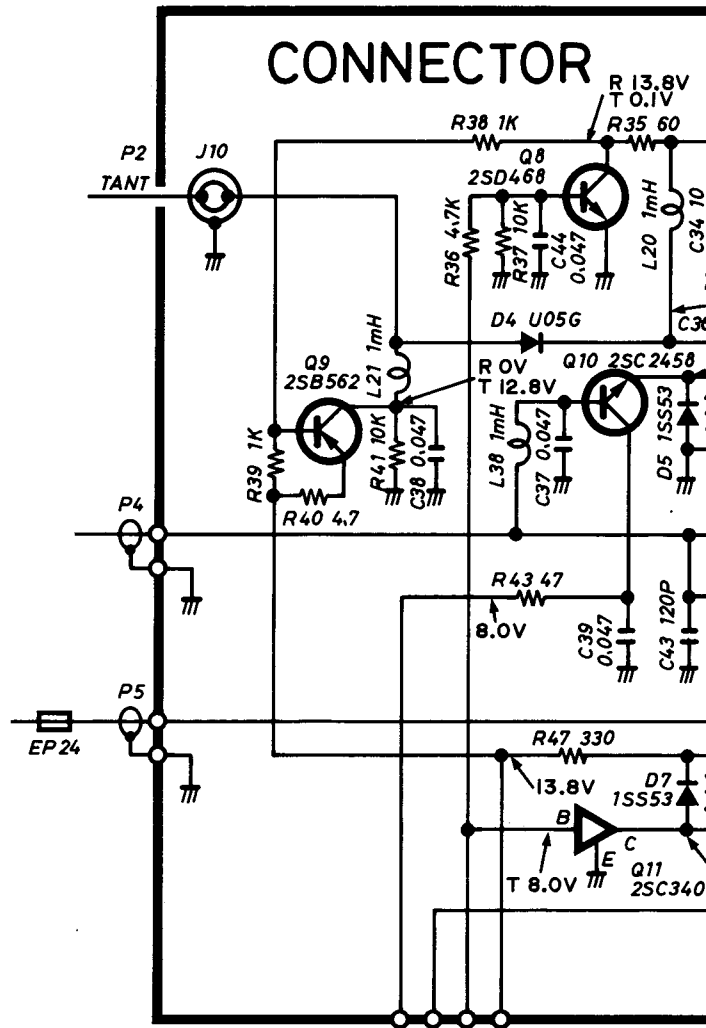


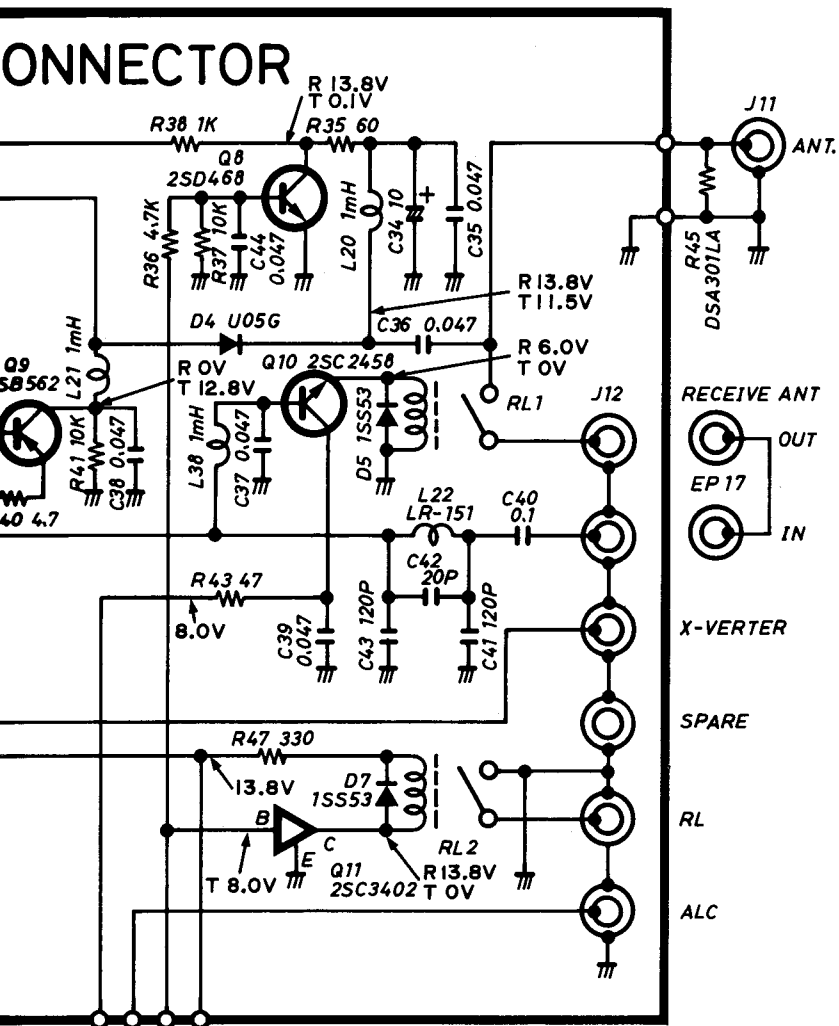
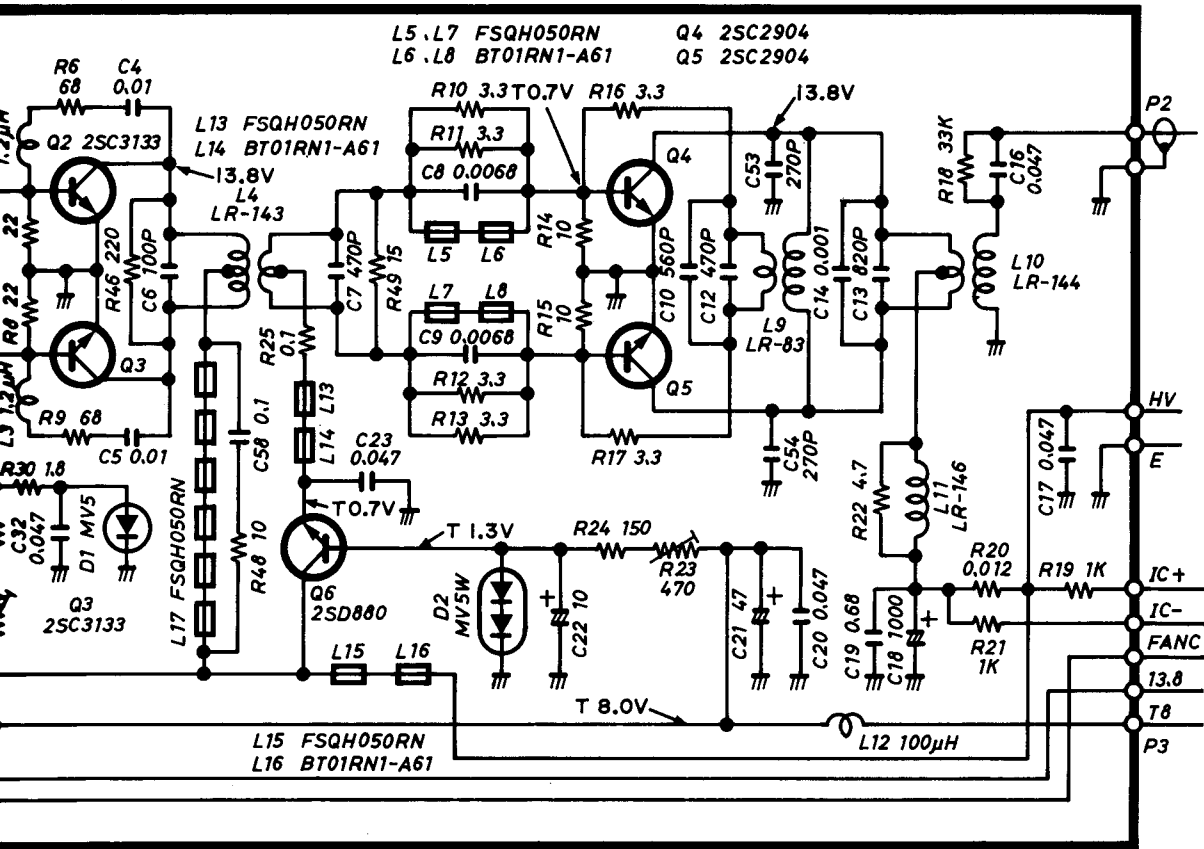


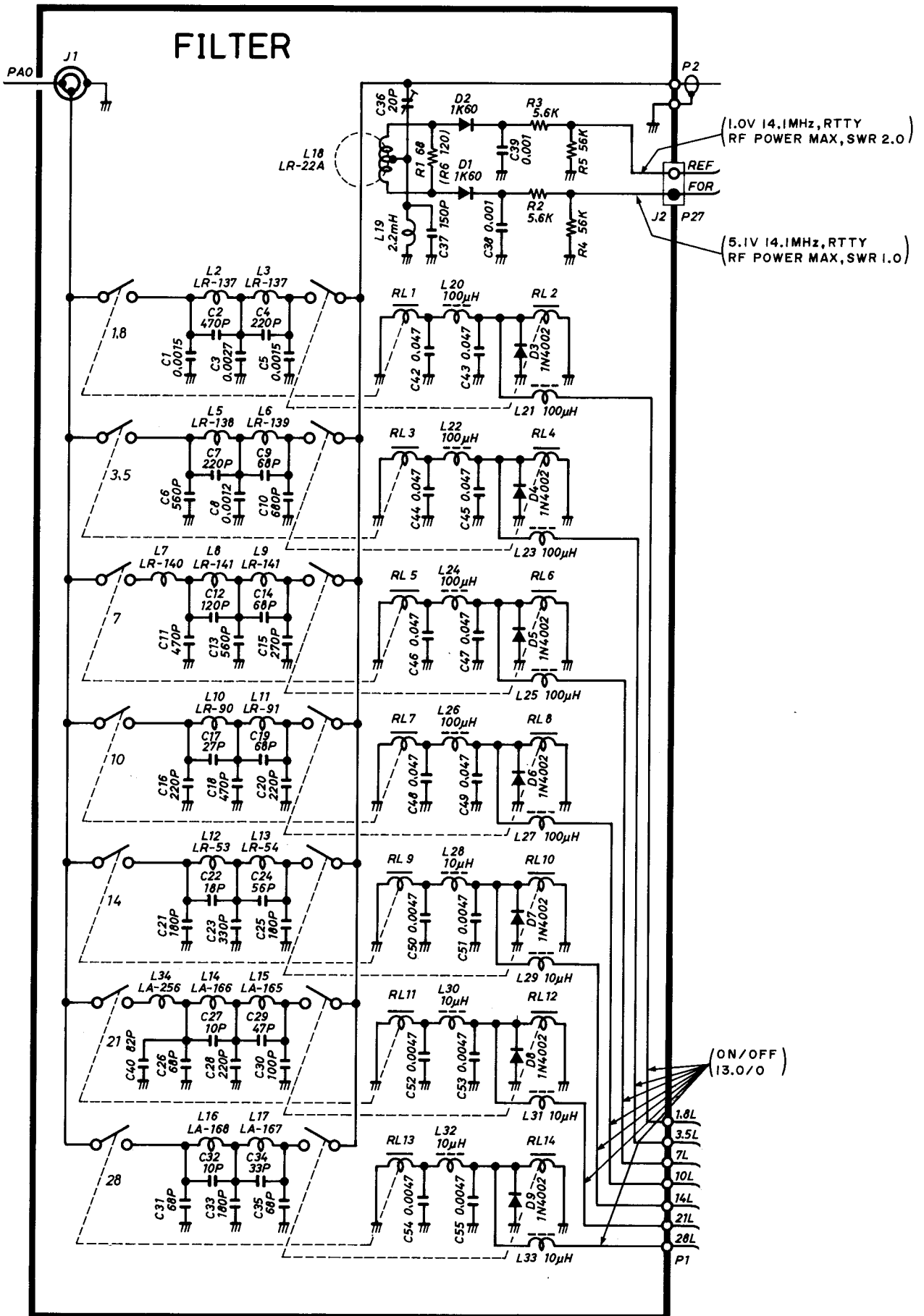




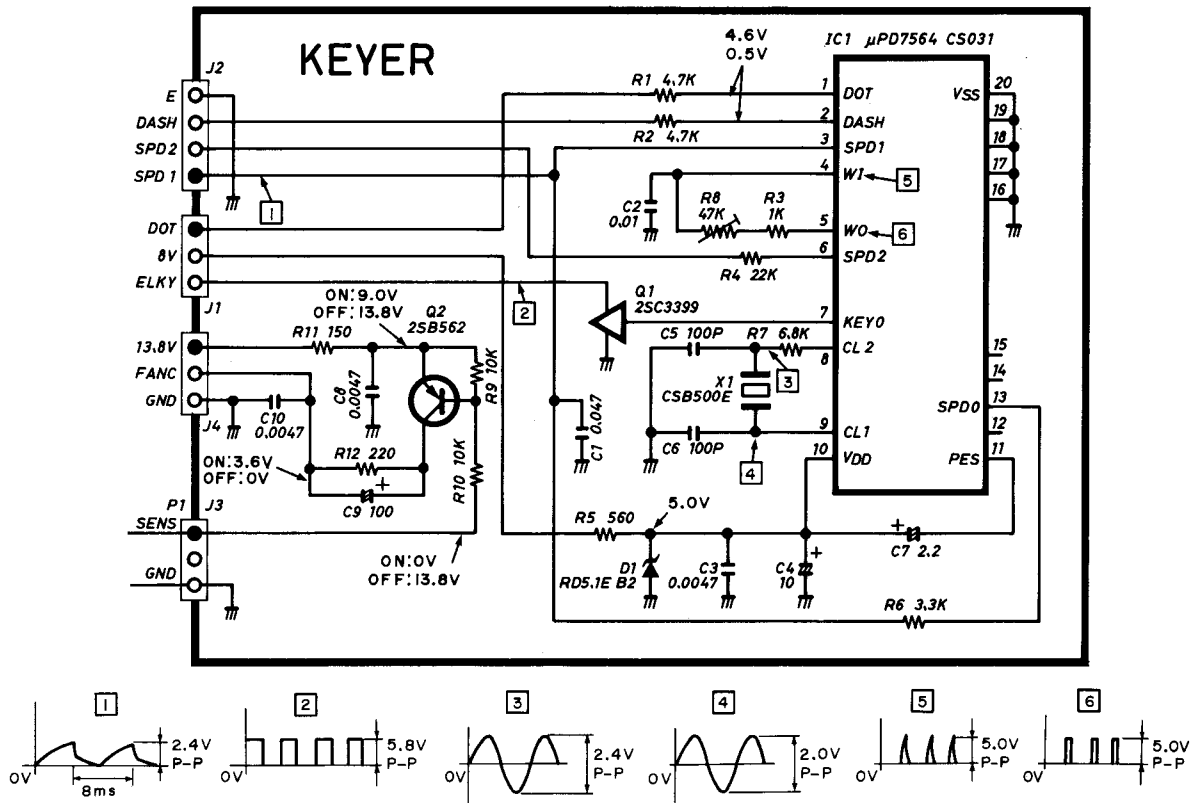
	R	T	R	T
S1 OFF S2 ON	4.0	6.0	9.5	6.5
S1 ON S2 ON	5.5	7.0	12.5	12.0



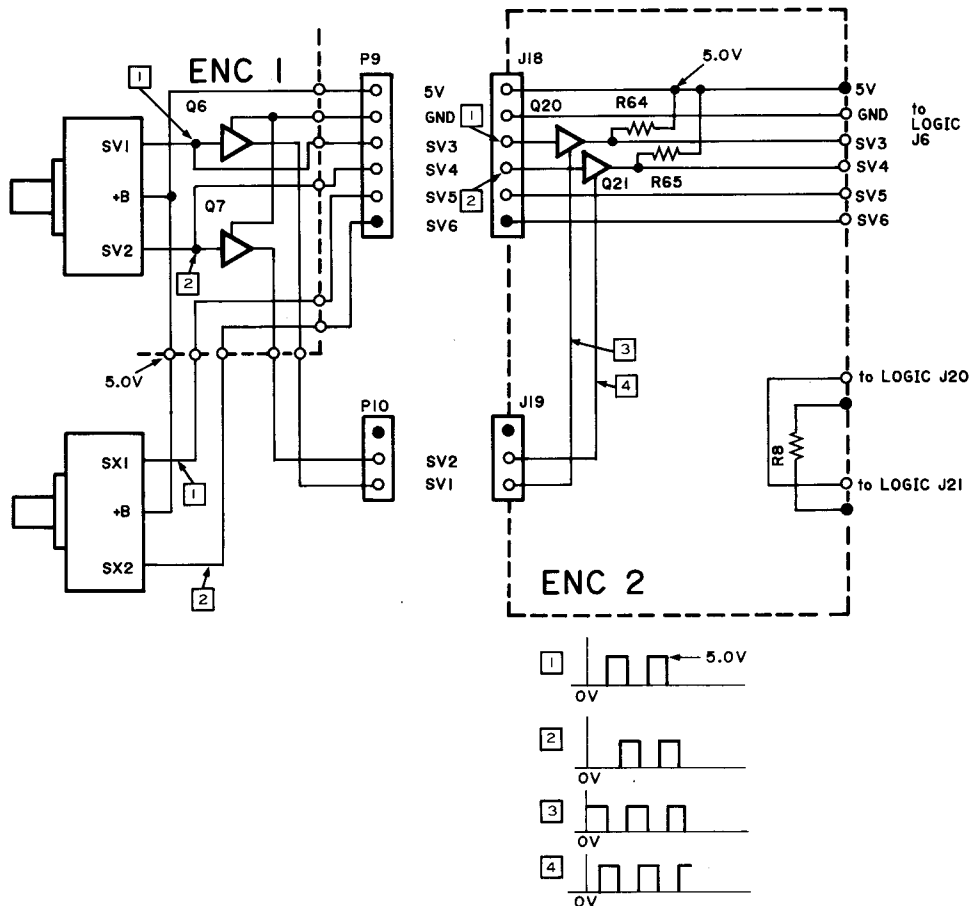




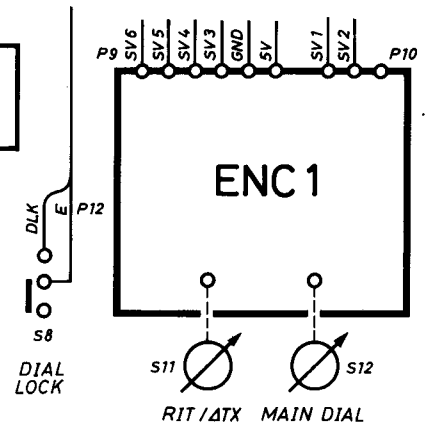
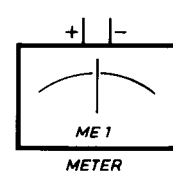
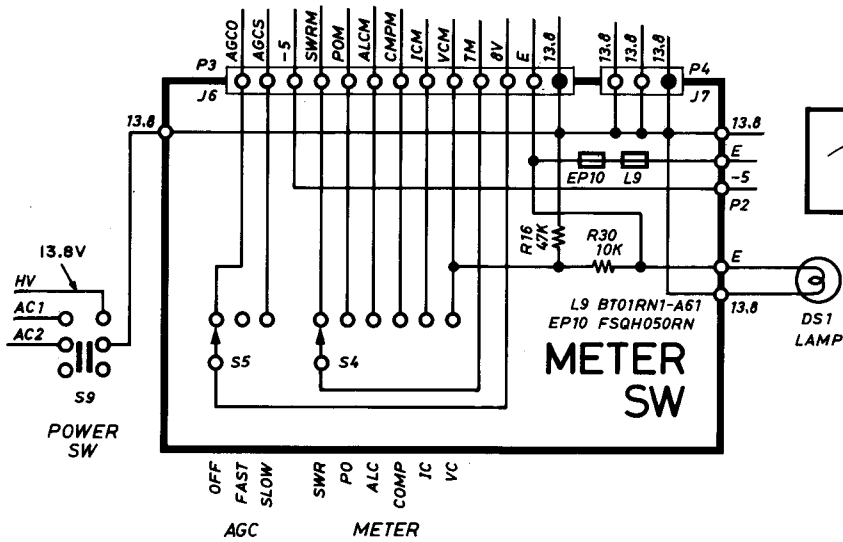
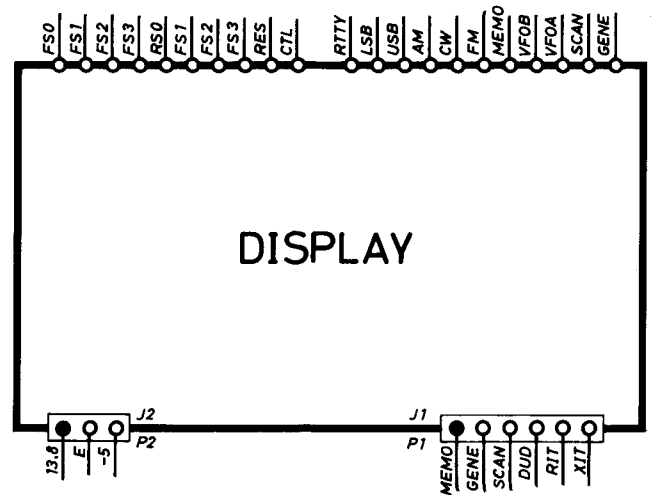
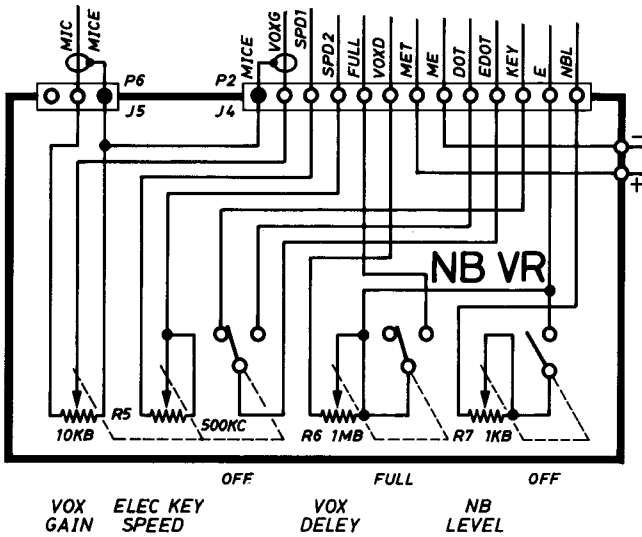
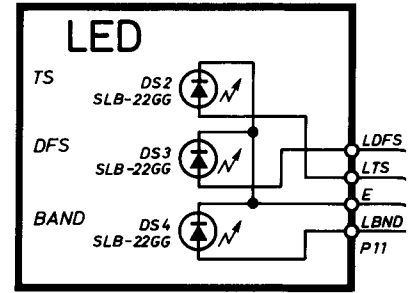
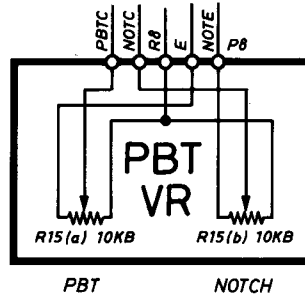
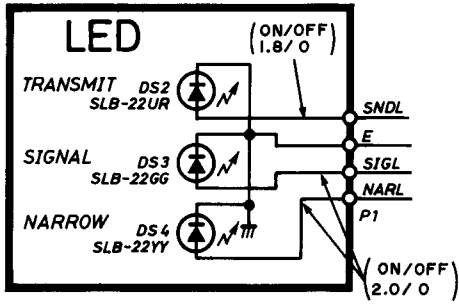
8 - 9 KEYSER UNIT

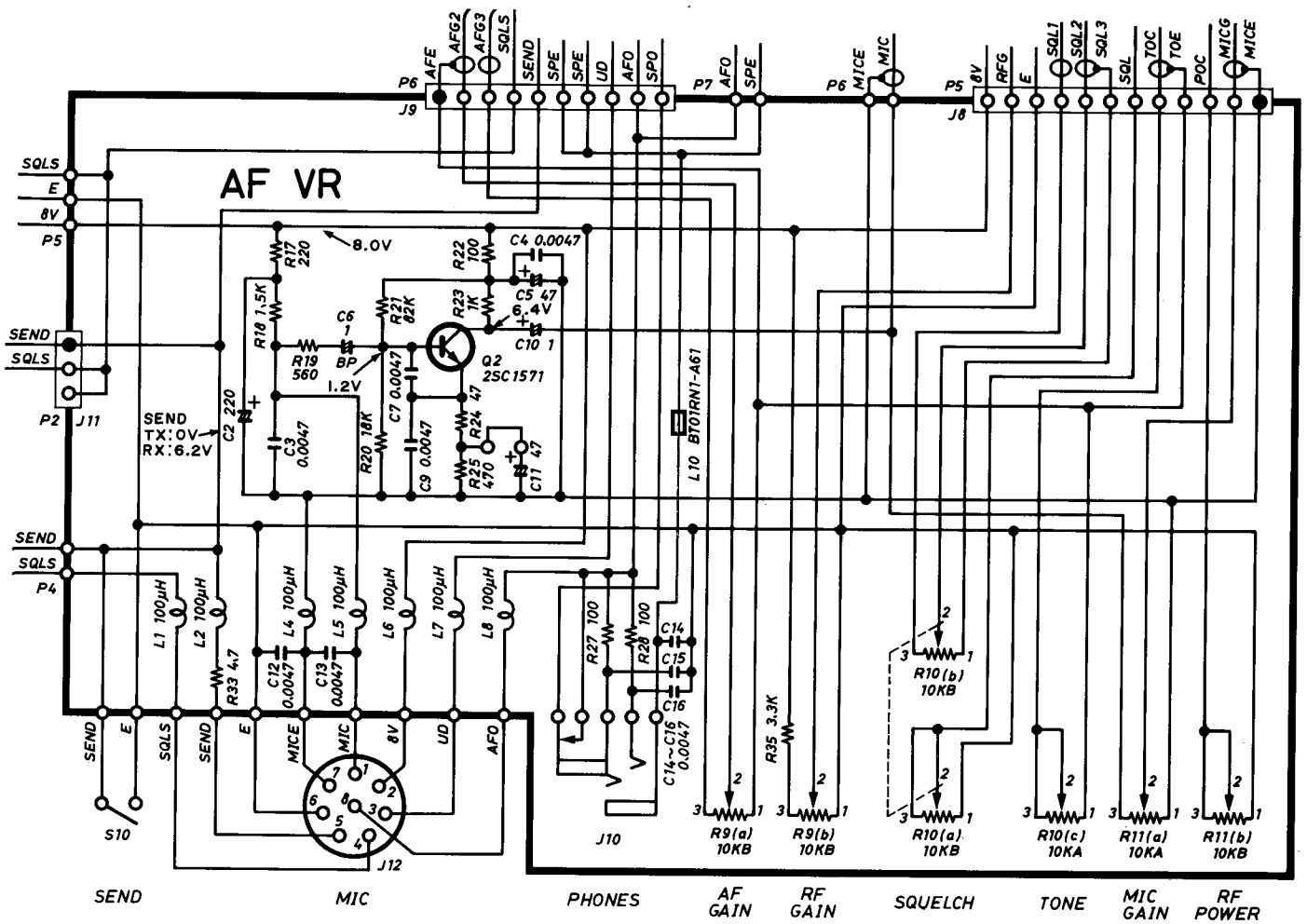
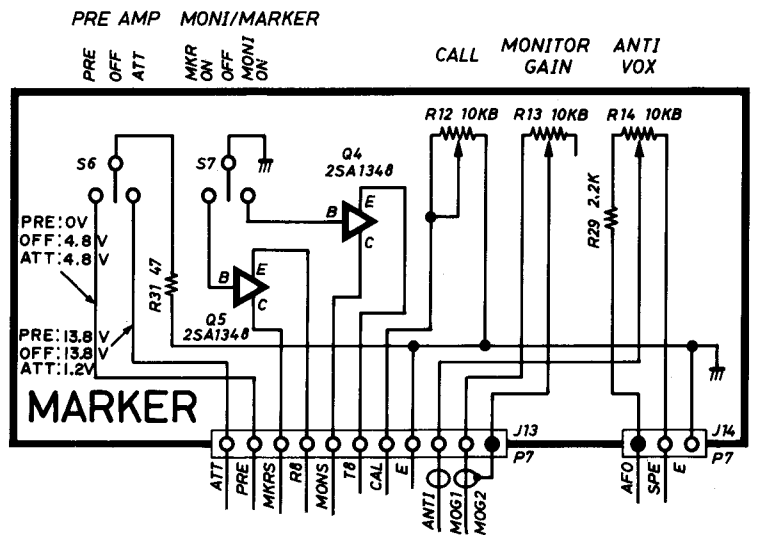
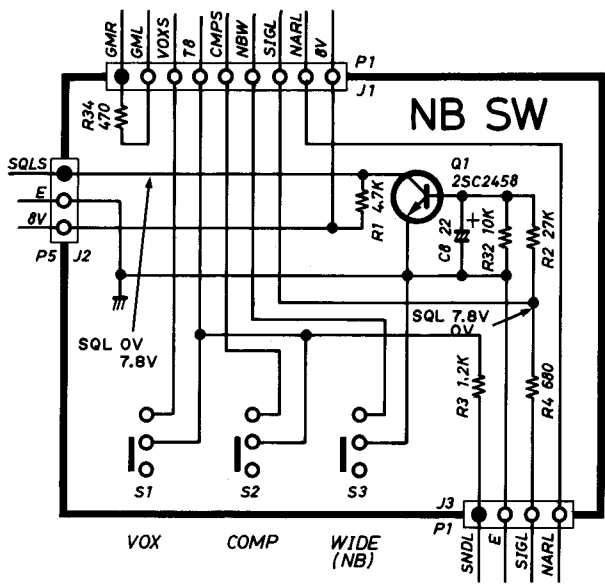


8 - 10 FRONT ENCODER UNITS



8 - 11 FRONT UNIT WIRING DIAGRAM



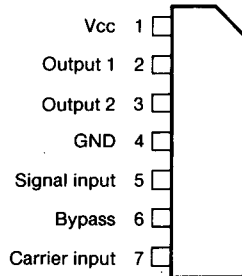


SECTION 9 IC SPECIFICATIONS

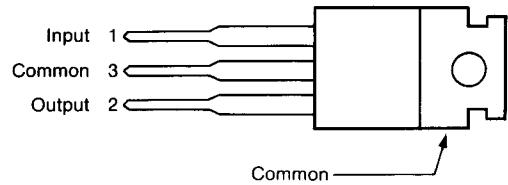
9 - 1 LINEAR ICs

μ PC1037H (DOUBLE BALANCED MODULATOR) μ A7805 (5V POSITIVE VOLTAGE REGULATOR)

PIN CONNECTIONS

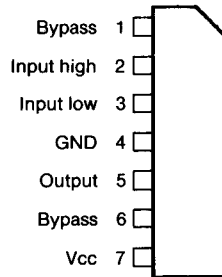


PIN CONNECTIONS



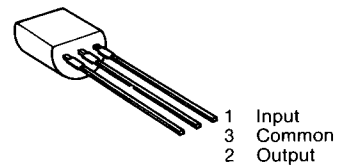
μ PC577H (FM-IF AMPLIFIER)

PIN CONNECTIONS



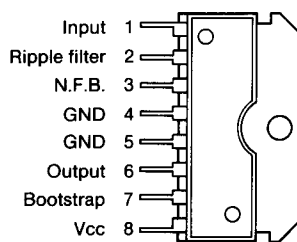
μ A78L05 (POSITIVE VOLTAGE REGULATOR)

PIN CONNECTIONS



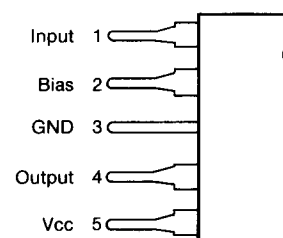
μ PC1241H (AUDIO POWER AMPLIFIER)

PIN CONNECTIONS



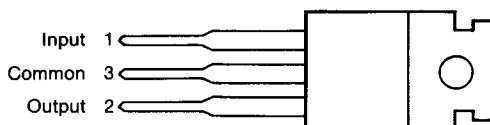
BA401 (FM-IF AMPLIFIER)

PIN CONNECTIONS



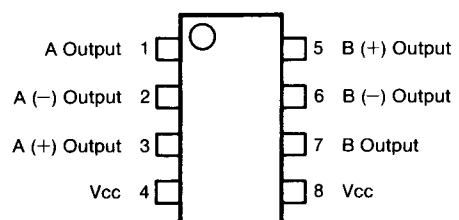
μ A7808 (POSITIVE VOLTAGE REGULATOR)

PIN CONNECTIONS



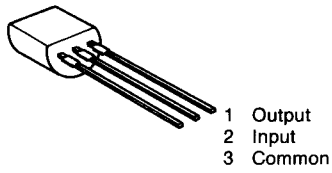
NJM4558D (DUAL LOW NOISE AMP)

PIN CONNECTIONS (Top View)



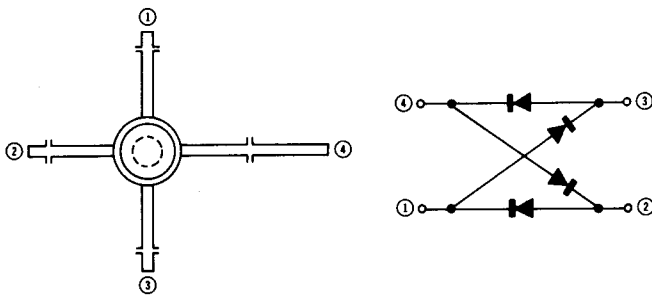
NJM79L05A (NEGATIVE VOLTAGE REGULATOR)

PIN CONNECTIONS



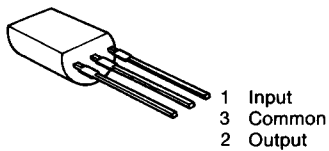
ND487C1-3R (DOUBLE BALANCED MIXER)

PIN CONNECTIONS



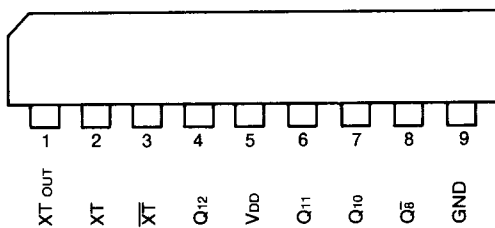
TA78L008AP (8V POSITIVE VOLTAGE REGULATOR)

PIN CONNECTIONS



TC-5082P-GL (OSCILLATOR AND 12 STAGE DIVIDER)

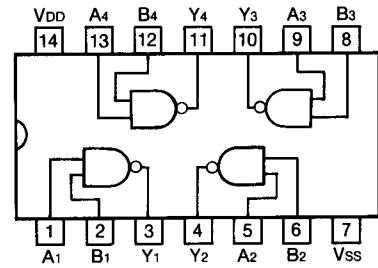
PIN CONNECTIONS



9 - 2 LOGIC ICs

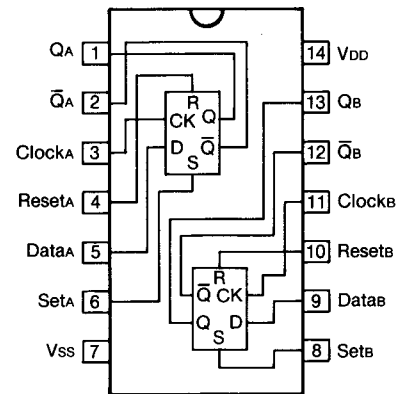
μPD4011BC (QUAD 2-INPUT NAND GATE)

PIN CONNECTIONS (Top View)



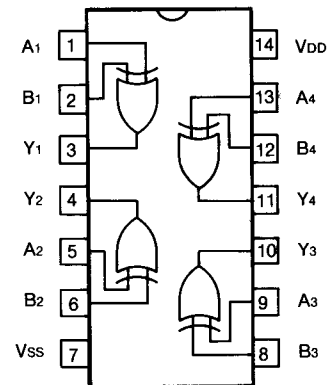
μPD4013BC (DUAL D-TYPE FLIP-FLOP)

PIN CONNECTIONS (Top View)



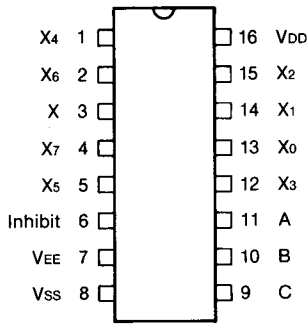
μPD4030BC (QUAD EXCLUSIVE OR GATE)

PIN CONNECTIONS (Top View)



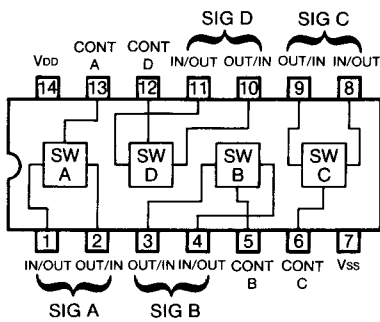
μPD4051BC (SINGLE 8-CHANNEL MULTIPLEXER)

PIN CONNECTIONS (Top View)



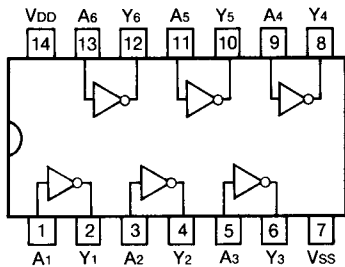
μPD4066BC (8-INPUT NAND GATE)

PIN CONNECTIONS (Top View)



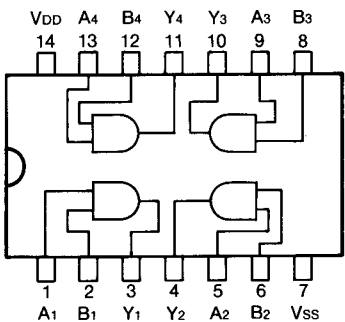
μPD4069UBC (HEX INVERTER)

PIN CONNECTIONS (Top View)



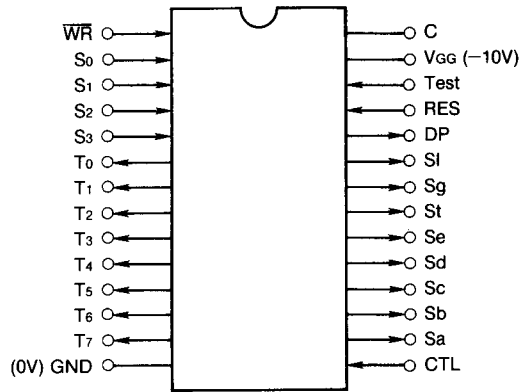
μPD4081BC (QUAD 2-INPUT AND GATE)

PIN CONNECTIONS (Top View)



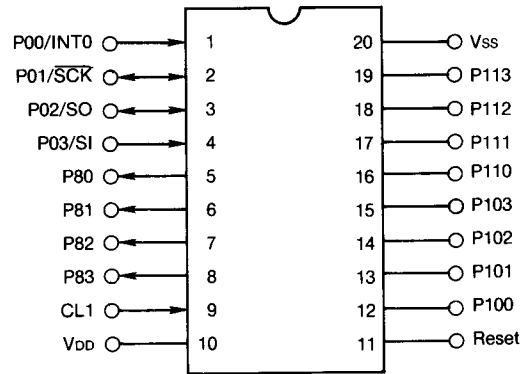
μPD549C (PROGRAMMABLE DISPLAY CONTROLLER)

PIN CONNECTIONS (Top View)



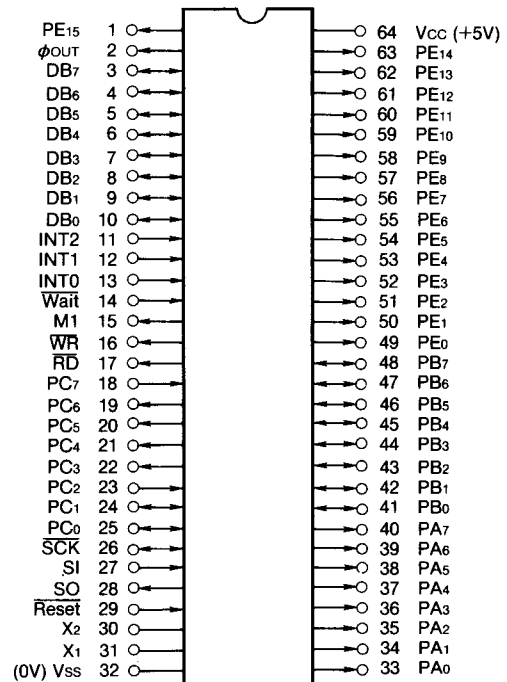
μPD7564 (1-CHIP 4-BIT MICRO COMPUTER)

PIN CONNECTIONS (Top View)



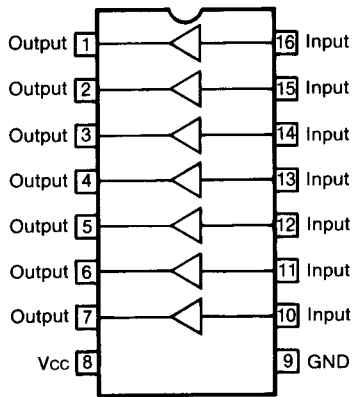
μPD7801G-114 (1 CHIP 8-BIT MICRO COMPUTER)

PIN CONNECTIONS (Top View)



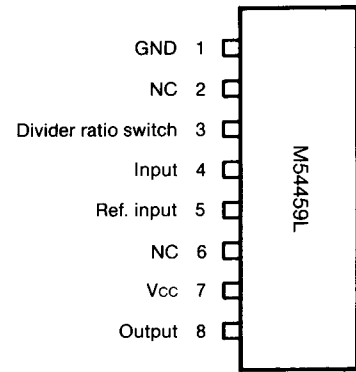
BA618 (CURRENT DRIVER)

PIN CONNECTIONS (Top View)



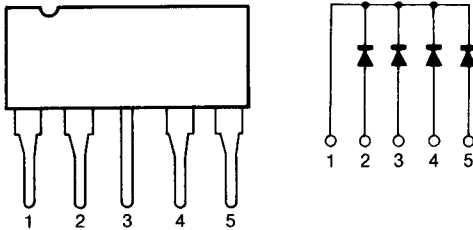
M54459L (1/20, 1/100 HIGH SPEED DIVIDER)

PIN CONNECTIONS



DAN401 (HIGH-SPEED SWITCHING DIODE ARRAY)

PIN CONNECTIONS

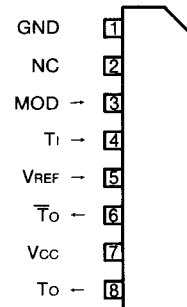


Frequency-division ratio switching input and frequency division ratio

DIVIDER RATIO SWITCH	LOW	HIGH
Frequency division ratio	1/20	1/100

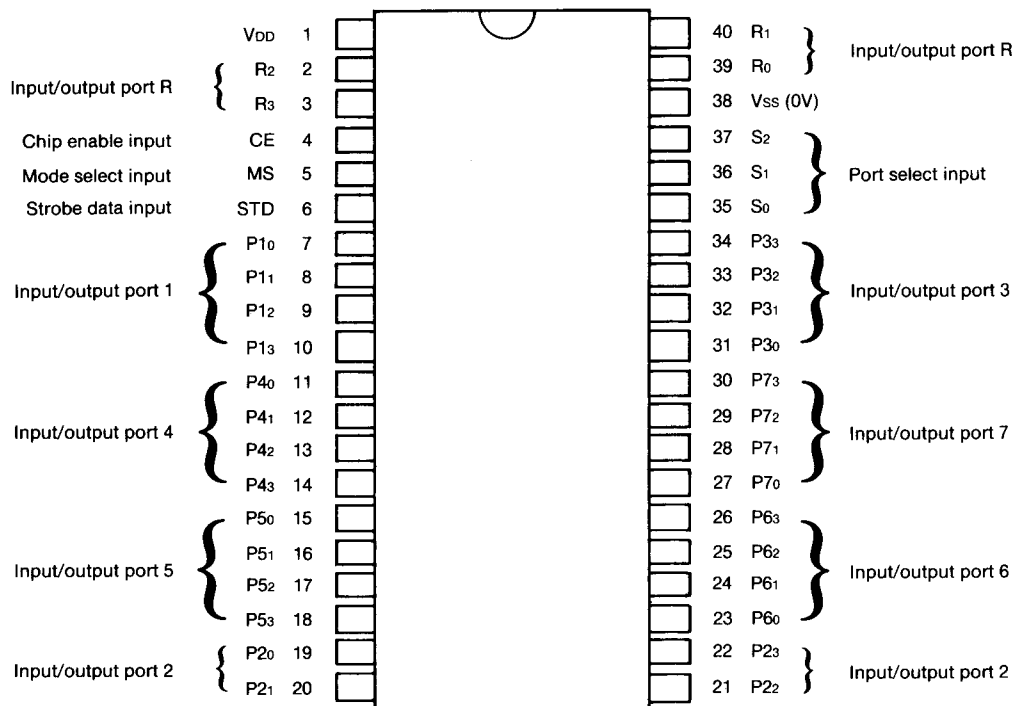
M54466L (1/10, 1/11 HIGH SPEED DIVIDER WITH ECL OUTPUT)

PIN CONNECTIONS



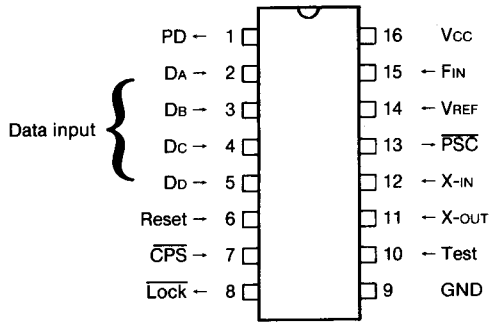
M50780SP (INPUT/OUTPUT EXPANDER)

PIN CONNECTIONS (Top View)



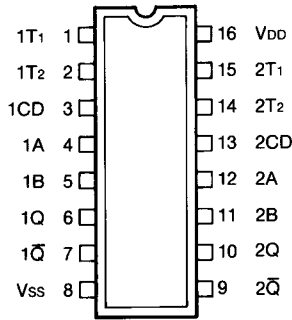
M54929P (PLL FREQUENCY SYNTHESIZER)

PIN CONNECTIONS (Top View)



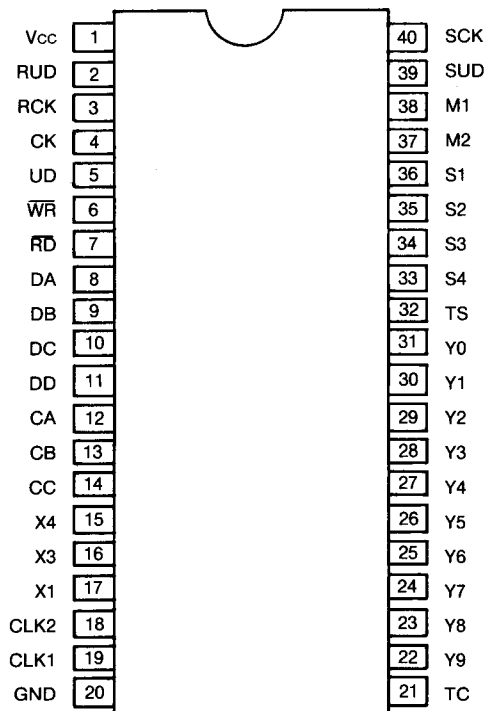
TC4528BP (DUAL MONOSTABLE MULTIVIBRATOR)

PIN CONNECTIONS (Top View)



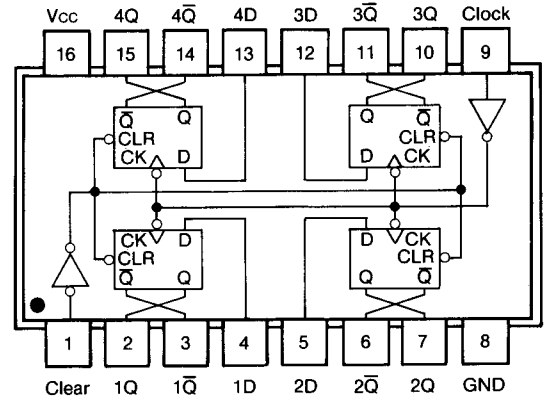
RP5G01-007 (ICOM DEVELOPED IC)

PIN CONNECTIONS (Top View)



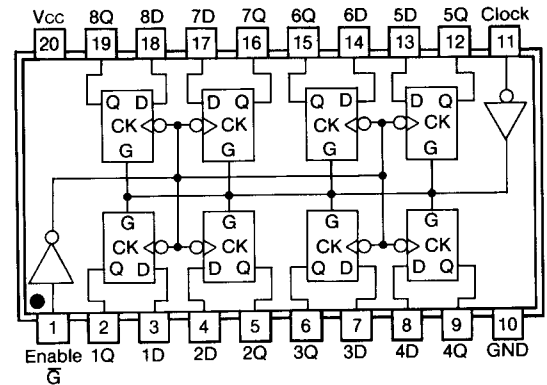
SN74LS175N (QUADRUPLE D-TYPE FLIP FLOP WITH RESET)

PIN CONNECTIONS (Top View)



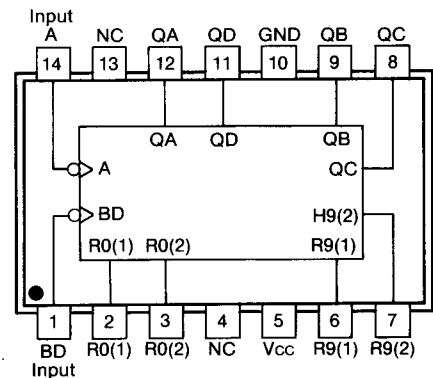
SN74LS377N (OCTAL POSITIVE EDGE-TRIGGERED D-TYPE FLIP FLOP WITH ENABLE)

PIN CONNECTIONS (Top View)



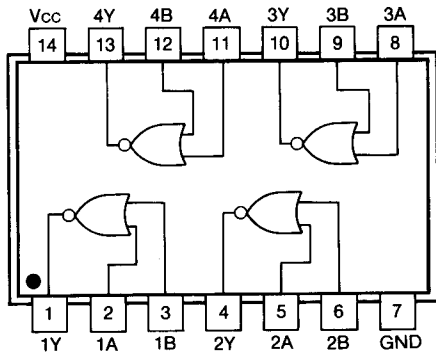
SN74LS90N (DECODE COUNTER)

PIN CONNECTIONS (Top View)



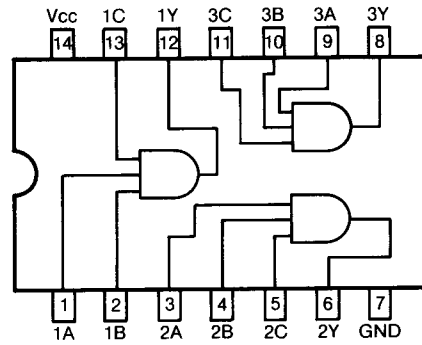
SN74LS02N (QUADRUPLE 2-INPUT POSITIVE NOR GATE)

PIN CONNECTIONS (Top View)



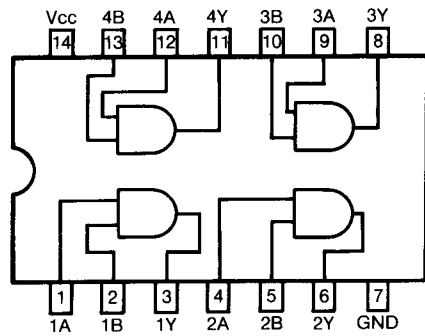
SN74LS11N (TRIPLE 3-INPUT POSITIVE AND GATE)

PIN CONNECTIONS (Top View)



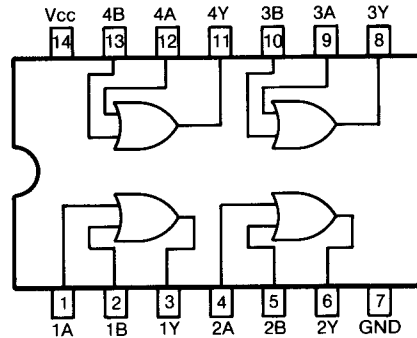
SN74LS08N (QUADRUPLE 2-INPUT POSITIVE AND GATE)

PIN CONNECTIONS (Top View)



SN74LS32N (QUADRUPLE 2-INPUT POSITIVE OR GATE)

PIN CONNECTIONS (Top View)



SECTION 10 PARTS LIST

10 - 1 EF UNIT

REF. NO.	DESCRIPTION	PART NO.
P1	Connector	TL25H-09-B1
P2	Connector	TL25H-13-B1
P3	Connector	TL25H-13-B1
P4	Connector	TL25H-03-B1
P5	Connector	TL25H-12-B1
P6	Connector	TL25H-10-B1
P7	Connector	TL25H-11-B1
P8	Connector	TL25H-06-B1
P9	Connector	TL25H-05-B1
P10	Connector	TL25H-07-B1
P11	Connector	TL25H-10-B1
P12	Connector	TL25H-03-B1
P13	Connector	TL25H-04-B1
P14	Connector	TL25H-08-B1
P15	Connector	TL25H-07-B1
P16	Connector	TL25H-09-B1
P17	Connector	TL25H-07-B1
P18	Connector	TL25H-07-B1
P19	Connector	TL25H-08-B1
P20	Connector	TL25H-08-B1
P21	Connector	TL25H-08-B1
P22	Connector	TL25H-08-B1
P23	Connector	TL25H-06-B1
P24	Connector	TL25H-03-B1
P25	Connector	TL25H-10-B1
P26	Connector	TL25H-12-B1
P27	Connector	TL25H-02-B1
P28	Connector	TL25H-12-B1
P29	Connector	TL25H-09-B1
P30	Connector	TL25H-03-B1
P31	Connector	TL25H-02-B1
P32	Connector	TL25H-03-B1
P33	Connector	TL25H-03-B1
P34	Connector	TL25H-04-B1
F1	Fuse	3A
SP1	Speaker	C065K1210810
EP1	Ferrite Bead	FSQH070RN

10 - 2 FRONT UNIT

REF. NO.	DESCRIPTION	PART NO.
Q1	Transistor	2SC2458-Y
Q2	Transistor	2SC1571-G
Q4	Transistor	2SA1348
Q5	Transistor	2SA1348
Q6	Transistor	2SC3399
Q7	Transistor	2SC3399
L1	Coil	LAL04NA 101K
L2	Coil	LAL04NA 101K
L4	Coil	FL5H 101K
L5	Coil	LAL04NA 101K
L6	Coil	FL5H 101K
L7	Coil	FL5H 101K
L8	Coil	FL5H 101K

FRONT UNIT

REF. NO.	DESCRIPTION	PART NO.
L9	Coil	BT01RN1-A61
L10	Coil	BT01RN1-A61
R1	Resistor	4.7k R25
R2	Resistor	27k ELR25
R3	Resistor	1.2k R25
R4	Resistor	680 R25
R5	Variable	RKBB21004A 10KB 500KC
R6	Variable	RKBA11013A 1MB
R7	Variable	RKBA11011A 1KB
R9	Variable	RKDEB0008A 10KBx2
R10	Variable	RKDEC000DA 10KA 10KBx2
R11	Variable	RKDEB0007A 10KA 10KB
R12	Trimmer	RHA3A140SA 10KB
R13	Trimmer	RHA3A140SA 10KB
R14	Trimmer	RHA3A140SA 10KB
R15	Variable	RKBBB001PA 10KBx2
R16	Resistor	47k R25
R17	Resistor	220 ELR20
R18	Resistor	1.5k ELR20
R19	Resistor	560 ELR20
R20	Resistor	18k R20
R21	Resistor	82k R20
R22	Resistor	100 ELR20
R23	Resistor	1k ELR20
R24	Resistor	47 R25
R25	Resistor	470 R20
R27	Resistor	100 ELR25
R28	Resistor	100 ELR25
R29	Resistor	2.2k R25
R30	Resistor	10k R25
R31	Resistor	47 R25
R32	Resistor	10k ELR25
R33	Resistor	4.7 R20
R34	Resistor	470 ELR20
R35	Resistor	3.3k R25
C2	Electrolytic	220 10V
C3	Barrier Layer	0.0047 25V
C4	Ceramic	0.0047 50V
C5	Electrolytic	47 10V
C6	Electrolytic	1 50V BP
C7	Ceramic	0.0047 50V
C8	Electrolytic	22 16V MS7
C9	Ceramic	0.0047 50V
C10	Electrolytic	1 50V
C11	Electrolytic	47 10V
C12	Ceramic	0.0047 50V
C13	Ceramic	0.0047 50V
C14	Ceramic	0.0047 50V
C15	Ceramic	0.0047 50V
C16	Ceramic	0.0047 50V
J1	Connector	TL25P-09-L1
J2	Connector	TL25P-03-L1
J3	Connector	TL25P-04-L1
J4	Connector	TL25P-13-L1
J5	Connector	TL25P-03-L1
J6	Connector	TL25P-13-L1
J7	Connector	TL25P-03-V1
J8	Connector	TL25P-12-L1

FRONT UNIT

REF. NO.	DESCRIPTION	PART NO.
J9	Connector	TL25P-10-L1
J10	Connector	HLJ4815-01-030
J11	Connector	TL25P-03-V1
J12	Connector	8S-S-E
J13	Connector	TL25P-11-V1
J14	Connector	TL25P-03-V1
P2	Connector	TL25H-03-B1
P3	Connector	1545P-1
P4	Connector	TL25H-02-B1
P5	Connector	TL25H-03-B1
P6	Connector	TL25H-03-B1
P7	Connector	TL25H-03-B1
P8	Connector	TL25H-05-B1
P9	Connector	TL25H-06-B1
P10	Connector	TL25H-03-B1
P11	Connector	TSL-P04P-B1
P12	Connector	TSL-P03P-B1
F1	Holder	TFH-S30
DS1	Lamp	BQ044-32582A
DS2	LED	SLB-22GG
DS3	LED	SLB-22GG
DS4	LED	SLB-22GG
ME1	Meter	M263A
S1	Switch	SPPJ31116A
S2	Switch	SPPJ31116A
S3	Switch	SPPJ31116A
S4	Switch	SRBU16003A
S5	Switch	SRRU13071A
S6	Switch	MS-621C
S7	Switch	MS-621C
S8	Switch	SPPJ31012A
S9	Switch	TW-0068
S10	Switch	M2012J-1K
S11	Encoder	RABF10J02A
S12	Encoder	RABH10J01A
EP1	P.C. Board	B-722E
EP2	P.C. Board	B-723C
EP3	P.C. Board	B-724C
EP4	P.C. Board	B-727E
EP5	P.C. Board	B-792
EP6	P.C. Board	B-731E
EP7	P.C. Board	B-741C
EP8	P.C. Board	B-1130A
EP9	P.C. Board	B-1133B
EP10	Ferrite Bead	FSQH050RN
W1	Jumper	JPW-02A
W2	Jumper	23/02/050/W02/W02
W3	Jumper	23/03/050/W02/W02
W4	Jumper	[51/99/160/W13A/W99A]
W5	Jumper	[08 A A]
W6	Jumper	[51/99/250/W13A/C01A]
W7	Jumper	[08 A A]
W8	Jumper	23/08/350/C01/D21
W9	Jumper	23/09/350/C01/D21
W11	Jumper	23/01/260/C01/D21

FRONT UNIT/DISPLAY UNIT

REF. NO.	DESCRIPTION	PART NO.
W12	Jumper	23/02/260/C01/D21
W13	Jumper	23/03/260/C01/D21
W14	Jumper	[51/99/400/C01A/W13A]
W15	Jumper	[08 A A]
W16	Jumper	23/04/160/W02/D21
W17	Jumper	23/00/160/W02/D21
W18	Jumper	74/98/015/X98/X98
W19	Jumper	23/09/400/C01/D21
W20	Jumper	23/00/400/C01/D21
W21	Jumper	23/01/400/C01/D21
W22	Jumper	23/02/520/C01/D21
W23	Jumper	23/03/520/C01/D21
W24	Jumper	23/04/520/C01/D21
W25	Jumper	23/05/520/C01/D21
W26	Jumper	23/06/520/C01/D21
W31	Jumper	23/01/300/C01/D21
W32	Jumper	23/02/300/C01/D21
W33	Jumper	23/03/300/C01/D21
W34	Jumper	23/04/300/C01/D21
W35	Jumper	23/05/300/C01/D21
W36	Jumper	23/06/300/C01/D21
W37	Jumper	23/07/300/C01/D21
W38	Jumper	23/08/300/C01/D21
W40	Jumper	13/00/120/W03/A07
W41	Jumper	13/01/120/W03/A07
W42	Jumper	13/02/250/W03/X99
W43	Jumper	23/01/150/W02/D21
W44	Jumper	23/02/150/W02/D21
W45	Jumper	23/03/150/W02/D21
W46	Jumper	JPW-02A
W47	Jumper	JPW-02H
W49	Jumper	IPS-1041-2
W50	Jumper	23/00/110/W02/C02
W52	Jumper	23/02/160/C02/W01
W53	Jumper	23/03/140/C02/W01
W54	Jumper	23/04/120/C02/W01
W55	Jumper	23/05/125/C02/W01
W56	Jumper	23/06/110/C02/W02

10 - 3 DISPLAY UNIT

REF. NO.	DESCRIPTION	PART NO.
IC1	IC	μPD549C
IC2	IC	μPD549C
IC3	IC	μA78L05
IC4	IC	NJM79L05A
Q1	Transistor	2SA1015-Y
Q2	Transistor	2SA1015-Y
Q3	Transistor	2SA1015-Y
Q4	Transistor	2SC1214
Q5	Transistor	2SC1214
Q6	Transistor	2SA1015-Y
Q7	Transistor	2SC2458-GR
Q8	Transistor	2SC3402
D1	Diode	1SS55
D2	Diode	1SS55
D3	Diode	1SS55
D4	Diode	1SS55

DISPLAY UNIT

REF. NO.	DESCRIPTION	PART NO.	
D5	Diode	1SS55	
D6	Diode	1SS55	
D7	Diode	1SS55	
D8	Diode	1SS55	
D9	Diode	1SS55	
D10	Diode	1SS55	
D11	Diode	1SS55	
D13	Diode	1SS55	
D14	Zener	RD6.2E	B2
D15	Diode	1SS55	
D16	Diode	1SS55	
D17	Diode	1SS55	
D18	Diode	1SS55	
D19	Diode	1SS55	
D21	Diode	1SS53	
L1	Coil	FL5H	101K
L2	Coil	FL9H	471K
L3	Coil	LAL04NA	101K
R1	Resistor	1k	ELR25
R2	Resistor	1k	ELR25
R3	Resistor	1k	ELR25
R4	Resistor	1k	R25
R5	Resistor	1k	ELR25
R6	Resistor	1k	ELR25
R7	Resistor	1k	ELR25
R8	Resistor	1k	ELR25
R9	Resistor	1k	ELR25
R10	Resistor	1k	ELR25
R11	Array	RMX-6	47k
R12	Array	RMX-10	47k
R13	Array	RMX-6	47k
R14	Array	RMX-8	47k
R15	Resistor	47k	ELR25
R16	Resistor	47k	ELR25
R17	Resistor	47k	ELR25
R18	Resistor	2.7k	ELR25
R19	Resistor	2.7k	ELR25
R20	Resistor	2.7k	ELR25
R21	Resistor	2.7k	ELR25
R22	Resistor	2.7k	ELR25
R23	Resistor	2.7k	ELR25
R24	Resistor	2.7k	ELR25
R25	Resistor	2.7k	ELR25
R26	Resistor	2.7k	ELR25
R27	Resistor	2.7k	ELR25
R28	Resistor	2.7k	ELR25
R29	Array	RMX-10	47k
R30	Resistor	47k	ELR25
R31	Resistor	47k	R25
R32	Resistor	3.3k	ELR25
R33	Resistor	3.3k	R20
R34	Resistor	2.2	ELR25
R35	Resistor	47	ELR25
R36	Resistor	2.2k	ELR25
R37	Resistor	2.2k	ELR25
R40	Resistor	1k	ELR25
R41	Resistor	100k	ELR25
R42	Resistor	2.2k	ELR25
R44	Resistor	220	R25
R45	Resistor	220	R25

DISPLAY UNIT

REF. NO.	DESCRIPTION	PART NO.	
R46	Resistor	220	R25
R47	Resistor	22	R20
C1	Array	B5RC0124-32N 0.001x4	
C2	Ceramic	0.001	50V
C3	Array	B5RC0124-32N 0.001x4	
C4	Ceramic	0.001	50V
C5	Ceramic	0.001	50V
C6	Ceramic	0.001	50V
C7	Ceramic	0.001	50V
C8	Ceramic	0.001	50V
C9	Ceramic	0.001	50V
C10	Ceramic	0.0047	50V
C11	Ceramic	0.0047	50V
C12	Ceramic	0.0047	50V
C13	Array	B8ZC0111-32N 0.0082x7	
C14	Ceramic	0.0047	50V
C15	Ceramic	330P	50V
C16	Ceramic	330P	50V
C17	Electrolytic	33	16V
C18	Electrolytic	4.7	25V RC2
C19	Electrolytic	3.3	50V RC2
C20	Electrolytic	3.3	50V RC2
C21	Electrolytic	0.1	50V RC2
C22	Electrolytic	10	16V RC2
C23	Electrolytic	10	16V RC2
C24	Electrolytic	10	16V RC2
C25	Electrolytic	10	16V RC2
C26	Mylar	0.01	50V
J1	Connector	TL25P-06-V1	
J2	Connector	TL25P-03-V1	
P1	Connector	TL25H-04-B1	
DS1	FLD	FIP12FM7	
DS2	LED	SLB-22UR	
DS3	LED	SLB-22GG	
DS4	LED	SLB-22YY	
T1	Transformer	TO-9	
EP1	P.C. Board	B-706D	
EP2	P.C. Board	B-729A	
EP3	Ribbon Cable	B-785	
EP4	Ribbon Cable	B-786	
W1	Jumper	23/01/180/W07/W07	
W2	Jumper	23/02/150/W07/W07	
W3	Jumper	23/03/180/W07/W07	
W4	Jumper	23/04/190/W07/W02	
W5	Jumper	23/05/150/W07/W07	
W6	Jumper	23/06/150/W07/W07	
W7	Jumper	23/07/160/W07/W07	
W8	Jumper	23/08/160/W07/W07	
W9	Jumper	23/09/160/W07/W07	
W10	Jumper	23/00/120/W07/W07	
W11	Jumper	23/01/120/W07/W07	
W12	Jumper	23/02/120/W07/W07	
W13	Jumper	JPW-02A	
W14	Jumper	JPW-02A	
W15	Jumper	JPW-02A	

DISPLAY UNIT/LOGIC UNIT

REF. NO.	DESCRIPTION	PART NO.
W16	Jumper	IPS-1041-4
W17	Jumper	JPW-02A
W18	Jumper	IPS-1041-4
W19	Jumper	IPS-1041-4
W20	Jumper	JPW-02H
W21	Jumper	JPW-02H
W22	Jumper	JPW-02H
W23	Jumper	JPW-02H
W24	Jumper	JPW-02H
W25	Jumper	JPW-02H
W26	Jumper	IPS-1041-4
W27	Jumper	IPS-1041-4
W28	Jumper	IPS-1041-4
W29	Jumper	IPS-1041-4
W30	Jumper	IPS-1041-4
W31	Jumper	JPW-02H
W32	Jumper	JPW-02H
W33	Jumper	JPW-02H
W34	Jumper	JPW-02H
W35	Jumper	IPS-1041-4
W36	Jumper	JPW-02H
W37	Jumper	IPS-1041-4
W38	Jumper	JPW-02A
W39	Jumper	JPW-02H
W40	Jumper	IPS-1041-4
W41	Jumper	IPS-1041-4
W42	Jumper	IPS-1041-4
W43	Jumper	JPW-02A
W44	Jumper	IPS-1041-4
W45	Jumper	IPS-1041-4
W46	Jumper	JPW-02A
W47	Jumper	JPW-02A
W48	Jumper	JPW-02A
W49	Jumper	JPW-02H
W50	Jumper	23/00/190/C01/W02
W51	Jumper	23/01/190/C01/W02
W52	Jumper	23/02/190/C01/W02
W53	Jumper	23/03/190/C01/W02

10 - 4 LOGIC UNIT

REF. NO.	DESCRIPTION	PART NO.
IC1	IC	μA7805
IC2	IC	RP5G01 007
IC3	IC	μPD7801G 114
IC4	IC	SN74LS08N
IC5	IC	SN74LS32N
IC6	IC	SNS74LS02N
IC7	IC	μPD4013BC
IC8	IC	TC4528BP
IC9	IC	SN74LS377N
IC10	IC	SN74LS11N
IC11	IC	SN74LS175N
IC12	IC	BA618
IC13	IC	BA618
IC14	IC	M50780SP
IC15	IC	BA618
IC16	IC	DAN401
IC17	IC	SN74LS08N
IC18	IC	SN74LS08N
IC19	IC	TA78L008AP

LOGIC UNIT

REF. NO.	DESCRIPTION	PART NO.
Q1	Transistor	2SA1048-Y
Q2	Transistor	2SA1048-Y
Q3	Transistor	2SA1048-Y
Q4	Transistor	2SC2458-GR
Q5	Transistor	2SC2458-GR
Q6	Transistor	2SA1348
Q7	Transistor	2SA1348
Q8	Transistor	2SA1348
Q9	Transistor	2SA1348
Q10	Transistor	2SA1348
Q11	Transistor	2SA1348
Q12	Transistor	2SA1348
Q13	Transistor	2SA1348
Q14	Transistor	2SA1348
Q15	Transistor	2SA1348
Q16	Transistor	2SA1348
Q17	Transistor	2SC3399
Q18	Transistor	2SC3399
Q19	Transistor	2SB562-C
Q20	Transistor	2SC3399
Q21	Transistor	2SC3399
D1	Diode	1SS53
D2	Diode	1SS53
D3	Diode	1SS53
D4	Diode	1SS53
D5	Diode	1SS53
D6	Diode	1SS53
D7	Diode	1SS53
D8	Diode	1SS53
D9	Diode	1SS53
D10	Diode	1SS53
D11	Diode	1SS53
D12	Diode	1SS53
D13	Diode	1SS53
D14	Diode	1SS53
D15	Diode	1SS53
D16	Diode	1SS53
D17	Diode	1SS53
D18	Diode	1SS53
D19	Diode	1SS53
D20	Diode	1SS53
D21	Diode	1SS53
D22	Diode	1SS53
D23	Diode	1SS53
D24	Diode	1SS53
D25	Diode	1SS53
D26	Diode	1SS53
D27	Diode	1SS53
D28	Diode	1SS53
D29	Diode	1SS53
D30	Diode	1SS53
D31	Diode	1SS53
D32	Diode	1SS53
D33	Diode	1SS53
D34	Diode	1SS53
D35	Diode	1SS53
D36	Diode	1SS53
X1	Ceramic Resonator	CSA400MT
L1	Coil	FL5H 102K
L3	Coil	BT01RN1-A61

LOGIC UNIT

REF. NO.	DESCRIPTION	PART NO.	
L4	Coil	FL5H	102K
L5	Coil	FL5H	102K
L6	Coil	FL5H	102K
L7	Coil	FL5H	102K
L8	Coil	FL5H	102K
L9	Coil	FL5H	102K
L10	Coil	FL5H	102K
L11	Coil	FL5H	101K
L12	Coil	FL5H	101K
L13	Coil	FL5H	101K
L14	Coil	FL5H	101K
L15	Coil	FL5H	101K
L16	Coil	FL5H	101K
L17	Coil	FL5H	101K
L18	Coil	EL0810SKI	102K
R1	Resistor	4.7k	ELR25
R2	Resistor	47k	R25
R3	Resistor	10k	R20
R4	Resistor	47k	R20
R5	Resistor	470	ELR25
R6	Array	RMX-4	100k
R7	Resistor	120k	ELR25
R8	Resistor	10k	R25
R10	Resistor	47k	R25
R11	Resistor	3.3M	ELR25
R12	Resistor	1M	ELR20
R13	Resistor	33	ELR25
R14	Trimmer	RHA3A160AA	1MB
R15	Resistor	220k	ELR25
R16	Resistor	47k	ELR25
R17	Resistor	1M	R20
R18	Resistor	1M	R25
R19	Resistor	47k	R25
R20	Resistor	10	R50X
R21	Resistor	10k	R25
R22	Array	RMX-8	4.7k
R23	Resistor	68k	ELR20
R24	Resistor	4.7k	ELR25
R25	Resistor	10k	R25
R26	Resistor	1k	ELR25
R27	Array	RMX-4	4.7k
R28	Resistor	47k	R20
R29	Resistor	750	CRB25FX
R30	Resistor	1.8k	CRB25FX
R31	Resistor	3.3k	CRB25FX
R32	Resistor	5.6k	CRB25FX
R33	Resistor	10k	CRB25FX
R34	Resistor	4.7k	CRB25FX
R35	Resistor	1k	R25
R36	Resistor	1k	R25
R37	Resistor	1k	R25
R38	Resistor	1k	R25
R39	Resistor	1k	R25
R40	Resistor	1k	R25
R41	Resistor	1k	R25
R42	Resistor	1k	R25
R43	Resistor	1k	R25
R44	Resistor	1k	R25
R45	Resistor	1k	R25
R46	Resistor	1k	R25
R47	Resistor	1k	R25

LOGIC UNIT

REF. NO.	DESCRIPTION	PART NO.	
R48	Resistor	1k	R25
R49	Resistor	1k	R25
R50	Resistor	1k	R25
R51	Resistor	1k	R25
R53	Resistor	220	ELR25
R54	Resistor	10k	ELR25
R55	Resistor	10k	R25
R58	Resistor	10k	ELR20
R59	Resistor	10k	R20
R60	Resistor	3.3k	R20
R61	Resistor	10k	R20
R64	Resistor	10k	R20
R65	Resistor	10k	R20
C1	Electrolytic	33	16V
C2	Barrier Layer	0.1	16V
C3	Barrier Layer	0.1	16V
C4	Electrolytic	47	10V
C5	Electrolytic	1	50V
C6	Barrier Layer	0.1	16V
C7	Mylar	0.0022	50V
C8	Mylar	0.001	50V
C9	Mylar	0.001	50V
C10	Barrier Layer	0.1	16V
C11	Ceramic	33P	50V
C12	Ceramic	33P	50V
C13	Barrier Layer	0.1	16V
C14	Barrier Layer	0.047	25V
C15	Electrolytic	1	50V BP
C16	Ceramic	0.0047	50V
C17	Barrier Layer	0.1	16V
C18	Electrolytic	47	10V
C19	Barrier Layer	0.1	16V
C20	Array	B8ZC0111-32N	0.0082x7
C21	Ceramic	470P	50V
C22	Ceramic	0.001	50V
C23	Electrolytic	2.2	50V MS7
C24	Ceramic	0.0022	50V
C25	Ceramic	0.001	50V
C26	Array	B8ZC0111-32N	0.0082x7
C27	Array	B5RC0124-32N	0.001x4
C28	Array	B7ZC0711-32N	0.01x6
C29	Array	B7ZC0711-32N	0.01x6
C30	Barrier Layer	0.1	16V
C31	Barrier Layer	0.1	16V
C32	Barrier Layer	0.1	16V
C33	Ceramic	0.0047	50V
C34	Ceramic	0.0047	50V
C35	Ceramic	0.0047	50V
J1	Connector	TL25P-03-V1	
J2	Connector	TL25P-10-V1	
J3	Connector	TL25P-12-V1	
J4	Connector	TL25P-05-V1	
J5	Connector	5138-11CPB	
J6	Connector	3022-06B	
J7	Connector	5138-10CPB	
J8	Connector	5138-04CPB	
J9	Connector	TL25P-07-V1	
J10	Connector	TL25P-09-V1	
J11	Connector	5138-11CPB	
J12	Connector	TL25P-08-V1	

LOGIC UNIT

REF. NO.	DESCRIPTION	PART NO.
J13	Connector	5138-10CPB
J14	Connector	5138-08CPB
J15	Connector	TL25P-08-V1
J16	Connector	3022-12B
J17	Connector	3022-08B
J18	Connector	TL25P-06-L1
J19	Connector	TL25P-03-L1
J20	Connector	3022-02B
J21	Connector	3022-02B
P1	Connector	TL25H-03-B1
S1	Thermal	OHD3-50M
EP1	P.C. Board	B-705E
EP2	P.C. Board	B-1036A
EP3	Ram Unit	EX-314-01
EP8	P.C. Board	B-1131A
W1	Jumper	23/00/200/D21/D21
W2	Jumper	23/01/200/D21/D21
W3	Jumper	23/02/140/D21/D21
W4	Jumper	23/03/180/D21/D21
W5	Jumper	23/04/170/D21/D21
W6	Jumper	23/05/170/D21/D21
W7	Jumper	23/06/160/D21/D21
W8	Jumper	23/07/220/D21/D21
W9	Jumper	23/08/080/D21/D21
W10	Jumper	23/09/080/D21/D21
W11	Jumper	23/00/070/D21/D21
W12	Jumper	23/01/140/D21/D21
W13	Jumper	23/02/100/D21/D21
W14	Jumper	23/03/100/D21/D21
W15	Jumper	IPS-1041-4
W16	Jumper	IPS-1041-4
W17	Jumper	IPS-1041-2
W18	Jumper	IPS-1041-4
W19	Jumper	IPS-1041-2
W20	Jumper	IPS-1041-4
W21	Jumper	IPS-1041-4
W22	Jumper	IPS-1041-4
W23	Jumper	IPS-1041-2
W24	Jumper	IPS-1041-4
W26	Jumper	IPS-1041-4
W27	Jumper	IPS-1041-4
W28	Jumper	IPS-1041-4
W29	Jumper	IPS-1041-4
W30	Jumper	IPS-1041-4
W31	Jumper	IPS-1041-2
W32	Jumper	IPS-1041-4
W33	Jumper	IPS-1041-4
W34	Jumper	IPS-1041-2
W35	Jumper	IPS-1041-4
W36	Jumper	IPS-1041-2
W37	Jumper	IPS-1041-4
W38	Jumper	JPW-02A
W39	Jumper	IPS-1041-4
W40	Jumper	JPW-02A
W41	Jumper	IPS-1041-4
W42	Jumper	JPW-02H
W43	Jumper	IPS-1041-4
W44	Jumper	IPS-1041-4

LOGIC UNIT

REF. NO.	DESCRIPTION	PART NO.
W45	Jumper	JPW-02H
W46	Jumper	IPS-1041-2
W47	Jumper	IPS-1041-4
W48	Jumper	IPS-1041-4
W49	Jumper	JPW-02A
W50	Jumper	IPS-1041-4
W51	Jumper	IPS-1041-2
W52	Jumper	IPS-1041-2
W53	Jumper	IPS-1041-2
W54	Jumper	IPS-1041-4
W55	Jumper	JPW-02A
W56	Jumper	IPS-1041-4
W57	Jumper	IPS-1041-4
W58	Jumper	IPS-1041-4
W59	Jumper	IPS-1041-4
W60	Jumper	IPS-1041-4
W61	Jumper	IPS-1041-4
W62	Jumper	IPS-1041-4
W63	Jumper	IPS-1041-2
W64	Jumper	IPS-1041-4
W65	Jumper	IPS-1041-4
W66	Jumper	IPS-1041-4
W67	Jumper	IPS-1041-4
W68	Jumper	IPS-1041-4
W69	Jumper	IPS-1041-4
W70	Jumper	IPS-1041-4
W71	Jumper	IPS-1041-4
W72	Jumper	IPS-1041-4
W73	Jumper	IPS-1041-4
W74	Jumper	IPS-1041-4
W75	Jumper	IPS-1041-4
W76	Jumper	JPW-02A
W77	Jumper	IPS-1041-4
W78	Jumper	IPS-1041-2
W79	Jumper	IPS-1041-2
W80	Jumper	IPS-1041-2
W81	Jumper	IPS-1041-4
W82	Jumper	IPS-1041-4
W83	Jumper	IPS-1041-4
W84	Jumper	IPS-1041-4
W85	Jumper	IPS-1041-4
W86	Jumper	IPS-1041-4
W87	Jumper	IPS-1041-4
W88	Jumper	IPS-1041-4
W89	Jumper	IPS-1041-4
W90	Jumper	IPS-1041-4
W91	Jumper	IPS-1041-4
W92	Jumper	IPS-1041-4
W93	Jumper	IPS-1041-4
W94	Jumper	IPS-1041-2
W95	Jumper	IPS-1041-2
W96	Jumper	IPS-1041-4
W97	Jumper	IPS-1041-2
W98	Jumper	JPW-02A
W99	Jumper	JPW-02A
W100	Jumper	JPW-02A
W101	Jumper	JPW-02A
W102	Jumper	JPW-02A
W103	Jumper	JPW-02A
W104	Jumper	IPS-1041-4
W105	Jumper	23/05/320/D21/C01
W107	Jumper	23/07/250/D21/C01

LOGIC UNIT/MATRIX UNIT

REF. NO.	DESCRIPTION	PART NO.
W108	Jumper	JPW-02A
W109	Jumper	JPW-02A
W110	Jumper	IPS-1041-2
W111	Jumper	IPS-1041-2
W112	Jumper	IPS-1041-2
W113	Jumper	IPS-1041-2
W114	Jumper	IPS-1041-4
W115	Jumper	IPS-1041-4

10 - 5 MATRIX UNIT

REF. NO.	DESCRIPTION	PART NO.
IC1	IC	μPD4013BC
IC2	IC	μPD4013BC
IC3	IC	μPD4011BC
IC4	IC	μPD4030BC
IC5	IC	μPD4081BC
Q1	Transistor	32SA1048-Y
Q2	Transistor	2SC2458-GR
Q3	Transistor	2SC2458-GR
Q4	Transistor	2SC3399
Q5	Transistor	2SC3399
Q6	Transistor	2SC2458-GR
Q7	Transistor	2SA1048-Y
Q8	Transistor	2SC2458-GR
Q9	Transistor	2SC3399
Q10	Transistor	2SC2458-GR
Q13	Transistor	2SC2458-GR
Q14	Transistor	2SC2458-GR
Q15	Transistor	2SC2458-GR
Q16	Transistor	2SC2458-GR
Q17	Transistor	2SC2458-GR
Q18	Transistor	2SC2458-GR
Q19	Transistor	2SC2458-GR
Q20	Transistor	2SA1048-Y
Q21	Transistor	2SC2458-GR
Q23	Transistor	2SA1348
Q24	Transistor	2SA1348
D2	Diode	1SS53
D3	Diode	1SS53
D4	Diode	1SS53
D5	Diode	1SS53
D6	Diode	1SS53
D7	Diode	1SS53
D8	Diode	1SS53
D9	Diode	1SS53
D10	Diode	1SS53
D11	Diode	1SS53
D12	Diode	1SS53
D13	Diode	1SS53
D14	Diode	1SS53
D15	Diode	1SS53
D16	Diode	1SS53
D17	Diode	1SS53
D18	Diode	1SS53
D19	Diode	1SS53
D20	Diode	1SS53
D21	Diode	1SS53

MATRIX UNIT

REF. NO.	DESCRIPTION	PART NO.
D22	Diode	1SS53
D23	Diode	1SS53
D24	Diode	1SS53
D25	Diode	1SS53
D26	Diode	1SS53
D27	Diode	1SS53
D28	Diode	1SS53
D29	Diode	1SS53
D30	Diode	1SS53
D31	Diode	1SS53
D32	Diode	1SS53
D33	Diode	1SS53
D34	Diode	1SS53
D35	Diode	1SS53
D36	Diode	1SS53
D37	Diode	1SS53
D38	Diode	1SS53
D39	Diode	1SS53
D40	Diode	1SS53
D41	Diode	1SS53
R1	Resistor	10k ELR25
R2	Resistor	10k ELR25
R3	Resistor	680k ELR25
R4	Resistor	47k R25
R5	Resistor	1M ELR25
R6	Resistor	47k ELR25
R7	Resistor	47k ELR25
R8	Resistor	22k R25
R9	Resistor	47k ELR25
R10	Resistor	47k R25
R11	Resistor	1M ELR25
R12	Resistor	1M ELR25
R13	Resistor	47k ELR25
R14	Resistor	1M ELR25
R15	Resistor	3.3M ELR25
R16	Resistor	330k ELR25
R17	Resistor	47k ELR25
R18	Resistor	47k R25
R19	Resistor	47k R25
R20	Resistor	47k ELR25
R21	Resistor	470k ELR25
R22	Resistor	10k ELR25
R26	Resistor	47k ELR25
R27	Resistor	47k ELR25
R28	Resistor	47k ELR25
R29	Resistor	47k ELR25
R30	Resistor	47k ELR25
R31	Array	RMX-6 10k
R32	Resistor	47k ELR25
R33	Resistor	47k R25
R34	Resistor	47k ELR25
R35	Resistor	1M ELR25
R36	Resistor	1M ELR25
R37	Resistor	47k R20
R38	Resistor	47k R20
R39	Resistor	6.8k R20
R40	Resistor	47k ELR25
R41	Resistor	4.7 ELR25
R44	Resistor	270 ELR25
R45	Resistor	270 R25
R46	Resistor	270 ELR25

MATRIX UNIT

REF. NO.	DESCRIPTION	PART NO.	
R47	Resistor	10k	R20
R48	Resistor	10k	R25
R49	Resistor	1k	ELR20
C1	Barrier Layer	0.1	16V
C2	Barrier Layer	0.1	16V
C3	Barrier Layer	0.1	16V
C4	Barrier Layer	0.1	16V
C5	Barrier Layer	0.1	16V
C6	Electrolytic	0.47	50V BP
C7	Array	B7ZC0711-32N 0.01x6	
C8	Barrier Layer	0.1	16V
C9	Array	B8ZC0111-32N 0.0082x7	
C10	Barrier Layer	0.1	16V
C11	Barrier Layer	0.1	16V
C12	Ceramic	0.001	50V
C13	Ceramic	0.001	50V
J1	Connector	5138-15APB	
J2	Connector	TLB-P06H-B1	
J3	Connector	TSL-P04P-B1	
J4	Connector	TSL-P03P-B1	
P1	Connector	TL25H-06-B1	
P2	Connector	TL25H-03-B1	
P3	Connector	TL25H-05-B1	
P4	Connector	TL25H-06-B1	
DS1	LED	SLB-22UR	
S1	Switch	SPPH15029A	
S2	Switch	SPPH15029A	
S3	Switch	SPPH15009A	
S4	Switch	SPPH15029A	
S5	Switch	SPPH15029A	
S6	Switch	SPPH15029A	
S7	Switch	SPPH15029A	
S8	Switch	SPPH15029A	
S9	Switch	SPPH11163A	
S10	Switch	SSSS21148A	
S11	Switch	SPPH15029A	
S12	Switch	SPPH15029A	
S13	Switch	SPPH15009A	
S14	Switch	SPPH15029A	
S15	Switch	SPPH15029A	
S16	Switch	SPPH15029A	
S17	Switch	SPPH15009A	
S18	Switch	SPPH15029A	
S19	Switch	SPPH15009A	
S20	Switch	SPPH15029A	
S21	Switch	SPPH15029A	
S22	Switch	SPPH15009A	
S23	Switch	SPPH15009A	
S24	Switch	SPPH15009A	
EP1	P.C. Board	B-728C	
EP2	P.C. Board	B-726G	
EP3	P.C. Board	B-725A	
EP4	Ribbon Cable	B-787	
EP5	Ribbon Cable	B-788	
EP6	Ribbon Cable	B-789	

MATRIX UNIT

REF. NO.	DESCRIPTION	PART NO.
W1	Jumper	23/01/160/D21/D21
W2	Jumper	23/02/120/D21/D21
W3	Jumper	23/03/100/D21/D21
W4	Jumper	IPS-1041-4
W5	Jumper	IPS-1041-4
W6	Jumper	IPS-1041-4
W7	Jumper	IPS-1041-4
W8	Jumper	IPS-1041-2
W9	Jumper	IPS-1041-2
W10	Jumper	IPS-1041-4
W11	Jumper	IPS-1041-4
W12	Jumper	IPS-1041-2
W13	Jumper	IPS-1041-4
W14	Jumper	IPS-1041-4
W15	Jumper	IPS-1041-4
W16	Jumper	IPS-1041-4
W17	Jumper	IPS-1041-4
W18	Jumper	IPS-1041-2
W19	Jumper	IPS-1041-4
W20	Jumper	IPS-1041-4
W21	Jumper	JPW-02A
W22	Jumper	IPS-1041-2
W23	Jumper	IPS-1041-2
W24	Jumper	IPS-1041-2
W25	Jumper	IPS-1041-4
W26	Jumper	IPS-1041-4
W27	Jumper	IPS-1041-4
W28	Jumper	IPS-1041-4
W29	Jumper	JPW-02H
W30	Jumper	IPS-1041-4
W31	Jumper	IPS-1041-4
W32	Jumper	IPS-1041-2
W33	Jumper	IPS-1041-4
W34	Jumper	IPS-1041-4
W35	Jumper	IPS-1041-2
W36	Jumper	IPS-1041-4
W37	Jumper	IPS-1041-2
W38	Jumper	IPS-1041-4
W39	Jumper	IPS-1041-4
W40	Jumper	IPS-1041-4
W41	Jumper	IPS-1041-4
W42	Jumper	IPS-1041-2
W43	Jumper	IPS-1041-4
W46	Wire	23/00/240/C01/D21
W47	Wire	23/01/210/C01/D21
W48	Wire	23/00/380/C01/C22
W49	Wire	23/01/380/C01/C22
W50	Wire	23/02/380/C01/C22
W51	Wire	23/03/380/C01/C22
W52	Wire	23/04/380/C01/C22
W53	Wire	23/05/380/C01/C22
W54	Wire	23/00/200/C01/W02
W55	Wire	23/01/200/C01/W02
W56	Wire	23/02/200/C01/W02
W57	Wire	23/03/200/C01/W02
W58	Wire	23/04/200/C01/W02
W59	Jumper	JPW-02H
W60	Jumper	IPS-1041-4
W62	Wire	23/02/490/C01/W02
W63	Wire	23/03/490/C01/W02
W64	Wire	23/04/490/C01/W02

MATRIX UNIT/PLL UNIT

REF. NO.	DESCRIPTION	PART NO.
W65	Wire	23/05/490/C01/W02
W66	Wire	23/06/490/C01/W02
W67	Wire	23/07/490/C01/W02
W69	Jumper	IPS-1041-4
W70	Jumper	IPS-1041-4
W71	Jumper	IPS-1041-2
W72	Jumper	IPS-1041-4
W73	Jumper	IPS-1041-2
W74	Jumper	IPS-1041-2
W75	Jumper	IPS-1041-4
W76	Wire	23/06/115/D21/D21
W77	Wire	23/07/110/D21/D21

10 - 6 PLL UNIT

REF. NO.	DESCRIPTION	PART NO.
IC1	IC	M54929P
IC2	IC	M54466L
IC3	IC	μPC1037H
IC4	IC	μPC1037H
IC5	IC	SN74LS90N
IC6	IC	TC5082P-GL
IC7	IC	TA78L008AP
IC8	IC	μA7805
IC201	IC	M54929P
IC202	IC	M54466L
IC203	IC	SN74LS90N
IC204	IC	M54459L
Q1	Transistor	2SC945-P
Q2	Transistor	2SC945-P
Q3	Transistor	2SC945-P
Q4	Transistor	2SC945-P
Q5	FET	2SK30A-Y
Q6	FET	2SK30A-Y
Q7	Transistor	2SC1571-G
Q8	Transistor	2SA1015-Y
Q9	Transistor	2SC945-P
Q10	Transistor	2SC945-R
Q11	Transistor	2SC383-TM
Q12	Transistor	2SC945-P
Q13	Transistor	2SC3399
Q14	Transistor	2SC383-TM
Q15	FET	2SK241-Y
Q16	Transistor	2SC383-TM
Q17	Transistor	2SC383-TM
Q18	FET	2SK192A-GR
Q19	FET	2SK192A-GR
Q20	FET	2SK192A-GR
Q21	FET	2SK192A-GR
Q22	Transistor	2SC383-TM
Q23	Transistor	2SC383-TM
Q24	Transistor	2SC945-P
Q25	Transistor	2SC383-TM
Q26	Transistor	2SC383-TM
Q201	FET	2SK192A-GR
Q202	Transistor	2SC763-C
D1	Varicap	1SV50E
D2	Zener	RD5.1E B2
D4	Diode	1SS53

PLL UNIT

REF. NO.	DESCRIPTION	PART NO.
D5	Diode	1SS53
D7	Diode	1SS53
D8	Diode	1SS53
D9	Diode	1SS53
D10	Diode	1SS53
D11	Diode	1SS53
D12	Varicap	FC52M
D13	Varicap	1SV50E
D14	Varicap	1SV50E
D15	Varicap	1SV50E
D16	Diode	1SS53
D17	Diode	1SS53
D18	Diode	1SS53
D19	Diode	1SS53
D20	Zener	RD5.1E B2
D201	Varicap	1SV50E
D202	Diode	1SS237
D203	Diode	1SS237
Fl1	Monolithic	FL-69
X1	Crystal	CR-21
L1	Coil	LW-19
L2	Coil	LS-94
L3	Coil	LS-114
L4	Coil	LS-114
L5	Coil	LS-114
L6	Coil	LAL04NA 102K
L7	Coil	EL0810SKI 101K
L8	Coil	LS-162
L9	Coil	LA-244
L10	Coil	LA-254
L11	Coil	LB4 R36
L12	Coil	LB4 R23
L13	Coil	LW-20
L14	Coil	FL5H 101K
L15	Coil	FL5H 101K
L16	Coil	LR-79
L17	Coil	LB-135
L18	Coil	LW-25
L19	Coil	LR-79
L20	Coil	LB-135
L21	Coil	LW-25
L22	Coil	LR-79
L23	Coil	LB-135
L24	Coil	LW-25
L25	Coil	LR-79
L26	Coil	LB-135
L27	Coil	LW-25
L28	Coil	BT01RN1-A61
L29	Coil	LAL03NA R56M
L30	Coil	LAL04NA 101K
L31	Coil	LAL04NA 101K
L32	Coil	LAL03NA 100K
L33	Coil	BT01RN1-A61
L34	Coil	BT01RN1-A61
L201	Coil	LB-113
L202	Coil	LW-25
L203	Coil	FL5H 101K
L204	Coil	LAL03NA 101K
L205	Coil	LAL04NA 101K
L206	Coil	LAL04NA 101K

PLL UNIT

REF. NO.	DESCRIPTION	PART NO.
R1	Resistor	1k R25
R2	Resistor	2.2k ELR25
R3	Resistor	4.7k ELR25
R4	Resistor	10k ELR25
R5	Resistor	470 ELR25
R6	Resistor	220 ELR25
R7	Resistor	47 R25
R8	Resistor	47 ELR25
R9	Resistor	100 R20
R10	Resistor	15k ELR25
R11	Resistor	1k R25
R12	Resistor	470 R20
R13	Resistor	1.2k ELR20
R14	Resistor	220 ELR25
R15	Resistor	47k ELR25
R17	Resistor	10k ELR25
R18	Resistor	220 ELR25
R19	Resistor	22k ELR25
R20	Resistor	100 ELR25
R21	Resistor	8.2k ELR25
R22	Resistor	1k ELR25
R24	Resistor	100 ELR25
R25	Resistor	100 R20
R26	Resistor	470 ELR25
R27	Resistor	220 ELR25
R28	Resistor	100 ELR25
R29	Resistor	3.3 ELR25
R30	Resistor	1.5k ELR25
R31	Resistor	22k ELR25
R32	Resistor	10k ELR25
R33	Resistor	10k ELR25
R34	Resistor	220 ELR25
R35	Resistor	220 ELR25
R37	Resistor	2.7k ELR25
R38	Resistor	390 ELR25
R39	Resistor	1k ELR25
R40	Resistor	4.7k ELR25
R41	Resistor	1.8M ELR25
R42	Resistor	1k ELR25
R43	Trimmer	RHB0CS21LA 470B
R44	Resistor	4.7k ELR25
R45	Resistor	1k R25
R46	Resistor	4.7k R25
R47	Resistor	100 R25
R48	Resistor	2.2k ELR25
R49	Resistor	2.2k ELR25
R50	Resistor	10k ELR25
R52	Resistor	27k ELR25
R53	Resistor	22k ELR25
R54	Resistor	22k ELR25
R55	Resistor	47k ELR25
R56	Resistor	100k ELR25
R57	Resistor	100k ELR25
R58	Resistor	150 ELR25
R59	Resistor	3.3k ELR25
R60	Resistor	100k ELR25
R61	Resistor	100k ELR25
R62	Resistor	150 ELR25
R63	Resistor	3.3k ELR25
R64	Resistor	100k ELR25
R65	Resistor	100k ELR25
R66	Resistor	150 ELR25

PLL UNIT

REF. NO.	DESCRIPTION	PART NO.
R67	Resistor	3.3k ELR25
R68	Resistor	100k ELR25
R69	Resistor	100k ELR25
R70	Resistor	150 ELR25
R71	Resistor	3.3k ELR25
R72	Resistor	180 ELR25
R73	Resistor	33 ELR25
R74	Resistor	4.7k ELR25
R75	Resistor	220 ELR25
R76	Resistor	330 ELR25
R77	Resistor	22 ELR25
R78	Resistor	220 ELR25
R79	Resistor	22k ELR25
R80	Resistor	100 ELR25
R81	Resistor	560 ELR25
R82	Resistor	10k ELR25
R83	Resistor	47k ELR25
R84	Resistor	10k ELR25
R85	Resistor	220 ELR25
R86	Resistor	10k ELR25
R87	Resistor	100 ELR25
R88	Resistor	100 R25
R89	Resistor	220 ELR25
R90	Resistor	22k ELR25
R91	Resistor	10k ELR25
R92	Resistor	470 ELR25
R93	Resistor	47 ELR25
R94	Resistor	10k R25
R95	Resistor	10k R25
R96	Resistor	10k R25
R97	Resistor	10k R25
R98	Resistor	47k R25
R99	Resistor	47k R25
R100	Resistor	SRW1P10-J
R101	Resistor	120 R50X
R102	Resistor	220 ELR25
R103	Resistor	47 ELR25
R104	Resistor	22 ELR20
R105	Resistor	1k R25
R106	Resistor	15k R25
R107	Resistor	100 ELR25
R108	Resistor	47 ELR25
R109	Resistor	3.3k R20
R110	Resistor	820 R20
R201	Resistor	10k R20
R202	Resistor	1k R25
R203	Resistor	2.7k ELR20
R204	Resistor	33k ELR25
R205	Resistor	10k ELR25
R206	Resistor	470k R20
R208	Resistor	180 ELR25
R209	Resistor	150 ELR25
R210	Resistor	5.6k ELR25
R211	Resistor	1.2k ELR25
R212	Resistor	330 ELR25
R213	Resistor	150 R25
R214	Resistor	4.7k R25
R215	Resistor	2.2k R25
R216	Resistor	2.7k ELR25
R217	Resistor	2.7k ELR25
R218	Resistor	390 ELR25

PLL UNIT

REF. NO.	DESCRIPTION	PART NO.
C2	Ceramic	0.0047 50V
C3	Ceramic	10P 50V CH
C4	Ceramic	0.0047 50V
C5	Electrolytic	10 16V
C6	Ceramic	82P 50V TH
C7	Ceramic	0.0047 50V
C8	Ceramic	82P 50V TH
C9	Ceramic	10P 50V
C10	Ceramic	68P 50V
C11	Ceramic	47P 50V
C12	Ceramic	100P 50V
C13	Ceramic	100P 50V
C14	Barrier Layer	0.047 25V
C15	Ceramic	22P 50V
C16	Barrier Layer	0.047 25V
C19	Ceramic	0.001 50V
C20	Ceramic	0.001 50V
C21	Ceramic	0.0047 50V
C22	Ceramic	8P 50V
C23	Ceramic	1P 50V
C24	Ceramic	8P 50V
C25	Ceramic	1P 50V
C26	Ceramic	8P 50V
C27	Barrier Layer	0.047 25V
C29	Ceramic	470P 50V
C30	Ceramic	470P 50V
C31	Barrier Layer	0.1 16V
C32	Ceramic	0.0047 50V
C33	Electrolytic	47 10V
C34	Ceramic	0.0047 50V
C35	Ceramic	6P 50V
C36	Ceramic	6P 50V
C37	Ceramic	0.0047 50V
C39	Ceramic	33P 50V
C40	Ceramic	0.0047 50V
C41	Ceramic	0.001 50V
C42	Ceramic	0.0047 50V
C43	Ceramic	43P 50V
C44	Ceramic	51P 50V
C45	Ceramic	120P 50V
C46	Ceramic	22P 50V
C47	Ceramic	100P 50V
C48	Ceramic	150P 50V
C49	Ceramic	82P 50V
C50	Ceramic	56P 50V
C51	Ceramic	330P 50V
C52	Ceramic	68P 50V
C53	Ceramic	150P 50V
C54	Ceramic	0.0047 50V
C55	Ceramic	0.0047 50V
C56	Ceramic	0.001 50V
C57	Ceramic	0.0047 50V
C58	Ceramic	0.0022 50V
C59	Ceramic	0.0047 50V
C60	Ceramic	0.0047 50V
C62	Ceramic	0.0047 50V
C63	Ceramic	0.0047 50V
C64	Electrolytic	47 10V
C65	Array	B7ZC0717-32N 470Px6
C66	Electrolytic	47 10V
C67	Barrier Layer	0.047 25V
C68	Barrier Layer	0.1 16V

PLL UNIT

REF. NO.	DESCRIPTION	PART NO.
C69	Ceramic	0.001 50V
C70	Ceramic	0.001 50V
C71	Electrolytic	1 50V
C72	Electrolytic	100 10V
C73	Ceramic	0.0047 50V
C74	Barrier Layer	0.047 25V
C75	Electrolytic	0.47 50V BP
C76	Ceramic	56P 50V
C77	Ceramic	24P 50V
C78	Trimmer	VCT51C143A 10P
C79	Ceramic	56P 50V CH
C80	Ceramic	12P 50V CH
C81	Ceramic	12P 50V CH
C82	Ceramic	0.0047 50V
C83	Ceramic	1P 50V
C84	Ceramic	0.0047 50V
C85	Barrier Layer	0.047 25V
C86	Ceramic	56P 50V
C87	Ceramic	15P 50V
C88	Trimmer	VCT51C143A 10P
C89	Ceramic	47P 50V CH
C90	Ceramic	12P 50V CH
C91	Ceramic	12P 50V CH
C92	Ceramic	0.0047 50V
C93	Ceramic	1P 50V
C94	Ceramic	0.0047 50V
C95	Ceramic	47P 50V
C96	Ceramic	10P 50V
C97	Trimmer	VCT51A123A 6P
C98	Ceramic	47P 50V CH
C99	Ceramic	12P 50V CH
C100	Ceramic	8P 50V CH
C101	Ceramic	0.0047 50V
C102	Ceramic	1P 50V
C103	Ceramic	0.0047 50V
C104	Barrier Layer	0.047 25V
C105	Ceramic	39P 50V
C106	Ceramic	7P 50V
C107	Trimmer	VCT51A123A 6P
C108	Ceramic	33P 50V CH
C109	Ceramic	12P 50V CH
C110	Ceramic	5P 50V CH
C111	Ceramic	0.0047 50V
C112	Ceramic	1P 50V
C113	Ceramic	0.0047 50V
C114	Barrier Layer	0.047 25V
C115	Electrolytic	100 10V
C116	Ceramic	0.0047 50V
C117	Ceramic	22P 50V
C118	Ceramic	47P 50V
C119	Ceramic	47P 50V
C120	Ceramic	0.0047 50V
C121	Ceramic	0.0047 50V
C122	Ceramic	0.001 50V
C123	Ceramic	0.0047 50V
C124	Ceramic	22P 50V
C126	Ceramic	0.0047 50V
C127	Ceramic	47P 50V
C128	Electrolytic	47 10V
C129	Electrolytic	100 16V
C130	Ceramic	0.0047 50V
C131	Ceramic	0.0047 50V

PLL UNIT

REF. NO.	DESCRIPTION	PART NO.
C132	Electrolytic	47 10V
C133	Ceramic	0.001 50V
C134	Ceramic	0.001 50V
C135	Ceramic	0.001 50V
C136	Ceramic	0.001 50V
C137	Electrolytic	10 16V
C139	Ceramic	0.0047 50V
C140	Ceramic	0.0047 50V
C141	Barrier Layer	0.1 16V
C145	Ceramic	0.0047 50V
C147	Ceramic	5P 50V
C148	Ceramic	33P 50V
C150	Ceramic	0.0047 50V
C151	Ceramic	0.0047 50V
C152	Ceramic	0.001 50V
C153	Electrolytic	10 16V MS7
C154	Ceramic	10P 50V
C155	Ceramic	120P 50V
C156	Ceramic	0.0047 50V
C201	Array	B7ZC0717-32N 470P×6
C202	Electrolytic	0.22 50V RC2
C203	Barrier Layer	0.047 25V
C204	Ceramic	0.0022 50V
C205	Ceramic	0.001 50V
C206	Electrolytic	47 10V
C207	Ceramic	39P 50V UJ
C208	Ceramic	22P 50V
C209	Ceramic	4P 50V
C210	Ceramic	4P 50V
C211	Electrolytic	47 10V
C212	Ceramic	0.0022 50V
C213	Ceramic	1P 50V
C214	Ceramic	0.0047 50V
C215	Ceramic	0.001 50V
C216	Ceramic	47P 50V
C217	Ceramic	0.0022 50V
C218	Ceramic	0.0047 50V
C219	Barrier Layer	0.047 25V
C220	Ceramic	470P 50V
C221	Ceramic	0.0047 50V
C222	Ceramic	0.001 50V
C223	Electrolytic	47 10V
C224	Ceramic	0.0047 50V
C225	Ceramic	0.0047 50V
C226	Ceramic	0.0047 50V
C227	Ceramic	0.0047 50V
J1	Connector	TL25P-06-V1
J2	Connector	5138-11CPB
J3	Connector	5138-04CPB
J4	Connector	TMP-J01X-V2
J5	Connector	TMP-J01X-V2
P1	Connector	TL25H-02-B1
EP1	P.C.Board	B-704F
EP2	Ferrite Bead	DL2-OP-2.6-3-1.2H
W1	Jumper	23/01/230/D21/D21
W2	Jumper	23/02/165/D21/D21
W3	Jumper	23/03/105/D21/D21
W4	Jumper	23/04/165/D21/D21

PLL UNIT/MAIN UNIT

REF. NO.	DESCRIPTION	PART NO.
W5	Jumper	23/05/170/D21/D21
W6	Jumper	23/06/135/D21/D21
W7	Jumper	[61/99/125/W13A/W13A]
W8	Jumper	[08 A A]
W9	Jumper	[61/99/140/W13A/W13A]
W10	Jumper	[08 A A]
W11	Jumper	23/07/110/D21/D21
W12	Jumper	[62/99/350/C01/W13A]
W13	Jumper	[08 A A]
W14	Jumper	IPS-1041-4
W16	Jumper	IPS-1041-4
W17	Jumper	IPS-1041-4
W18	Jumper	IPS-1041-4
W20	Jumper	IPS-1041-4
W21	Jumper	IPS-1041-2
W24	Jumper	IPS-1041-4
W25	Jumper	IPS-1041-4
W26	Jumper	IPS-1041-4
W27	Jumper	IPS-1041-4
W28	Jumper	IPS-1041-4
W29	Jumper	IPS-1041-4
W30	Jumper	IPS-1041-4
W31	Jumper	IPS-1041-4
W32	Jumper	IPS-1041-4
W33	Jumper	IPS-1041-4
W34	Jumper	JPW-02A
W36	Jumper	IPS-1041-4

10 - 7 MAIN UNIT

REF. NO.	DESCRIPTION	PART NO.
IC1	IC	μPD4069UBC
IC2	IC	NJM4558D
IC3	IC	μPD4051BC
IC4	IC	NJM4558D
IC5	IC	NJM4558D
IC6	IC	NJM4558D
IC7	IC	NJM4558D
IC8	IC	μPD4066BC
IC9	IC	μPC1037H
IC10	IC	μPC1037H
IC11	IC	μPC1037H
IC12	IC	BA401
IC13	IC	μPC577H
IC14	IC	NJM4558D
IC15	IC	μPC1037H
IC16	IC	NJM4558D
IC17	IC	μA7808
IC18	IC	μPC1241H
IC19	IC	NJM4558D
IC20	IC	μPC1037H
Q1	FET	3SK74-M
Q2	FET	2SK241-Y
Q3	Transistor	2SC2785-FF
Q4	Transistor	2SC3402
Q5	Transistor	2SC3402
Q6	Transistor	2SC2458-GR
Q7	Transistor	2SC2458-GR
Q8	FET	3SK74-M

MAIN UNIT

REF. NO.	DESCRIPTION	PART NO.
Q9	Transistor	2SC1583-G
Q10	Transistor	2SC2785-FF
Q11	Transistor	2SC2458-GR
Q12	Transistor	2SC2878
Q13	Transistor	2SA1048-GR
Q15	Transistor	2SC2878
Q16	Transistor	2SA1348
Q17	Transistor	2SC2878
Q20	Transistor	2SC3402
Q21	Transistor	2SC3402
Q22	Transistor	2SC2458-GR
Q23	Transistor	2SC2458-GR
Q24	Transistor	2SA1348
Q25	Transistor	2SC3402
Q26	Transistor	2SA1048-GR
Q27	Transistor	2SA1048-GR
Q28	Transistor	2SA1048-GR
Q29	Transistor	2SC3399
Q30	Transistor	2SA1348
Q31	Transistor	2SC3399
Q32	Transistor	2SC2458-GR
Q33	FET	3SK74-M
Q34	Transistor	2SC1571-G
Q35	Transistor	2SC2458-GR
Q36	Transistor	2SC2785-FF
Q37	Transistor	2SC2458-Y/GR
Q38	Transistor	2SC2785-FF
Q39	FET	3SK74-M
Q40	Transistor	2SC3399
Q41	Transistor	2SC3402
Q42	Transistor	2SC2785-FF
Q43	FET	3SK74-M
Q44	FET	3SK74-M
Q45	Transistor	2SC2785-FF
Q46	Transistor	2SC2458-Y/GR
Q47	Transistor	2SC2785-FF
Q48	Transistor	2SC3402
Q49	FET	2SK241-Y
Q50	Transistor	2SC2785-FF
Q51	Transistor	2SC2785-FF
Q52	Transistor	2SC3402
Q53	Transistor	2SC3402
Q54	Transistor	2SC2785-FF
Q55	Transistor	2SC2785-FF
Q56	Transistor	2SC3402
Q57	Transistor	2SC3402
Q58	Transistor	2SA1048-Y/GR
Q59	Transistor	2SC2878
Q60	Transistor	2SC2458-Y
Q61	Transistor	2SA1048-GR
Q62	Transistor	2SC2458-Y/GR
Q63	Transistor	2SD468-C
Q64	Transistor	2SC2458-GR
Q65	Transistor	2SC2458-GR
Q66	Transistor	2SD468-C
Q67	Transistor	2SC2458-GR
Q68	Transistor	2SD880-Y
Q69	Transistor	2SC3402
Q70	Transistor	2SC2458-GR
Q71	Transistor	2SC3399
Q72	Transistor	2SC2785-FF
Q74	Transistor	2SC3402

MAIN UNIT

REF. NO.	DESCRIPTION	PART NO.
Q75	Transistor	2SC3402
Q76	Transistor	2SC2458-GR
Q77	Transistor	2SC3399
Q78	Transistor	2SC2458-GR
Q79	Transistor	2SC2458-GR
Q80	Transistor	2SC2785-FF
Q81	Transistor	2SC3402
Q82	Transistor	2SA1048-Y/GR
Q83	Transistor	2SC3399
Q84	Transistor	2SC2785-FF
D1	Diode	1SS216
D2	Diode	1SS53
D3	Diode	1SS53
D4	Diode	1SS53
D5	Diode	1SS53
D6	Diode	1SS53
D7	Diode	1SS53
D8	Diode	1SS53
D9	Diode	1SS53
D10	Diode	1SS53
D11	Diode	1SS53
D12	Diode	1SS53
D13	Diode	1SS53
D14	Diode	1SS53
D15	Diode	1SS53
D16	Zener	MZ304 B
D17	Diode	1K60
D18	Diode	1K60
D19	Diode	1SS53
D20	Diode	1SS53
D21	Diode	1SS53
D22	Diode	1SS53
D23	Diode	1SS53
D24	Diode	1SS133
D25	Diode	1SS53
D26	Diode	1SS53
D27	Diode	1SS53
D28	Diode	1SS133
D29	Diode	1SS133
D30	Diode	1SS133
D31	Diode	1SS133
D32	Diode	1SS133
D33	Diode	1SS133
D34	Diode	1SS133
D35	Diode	1SS133
D36	Diode	1SS53
D37	Diode	1SS133
D38	Diode	1SS53
D39	Diode	1SS53
D40	Diode	1SS133
D41	Diode	1SS133
D42	Diode	1SS133
D43	Diode	1SS133
D44	Diode	1SS53
D45	Diode	1SS53
D46	Diode	1SS53
D47	Diode	1SS53
D49	Diode	1SS53
D50	Diode	1SS53
D51	Diode	1SS53
D52	Diode	1SS53

MAIN UNIT

REF. NO.	DESCRIPTION	PART NO.
D53	Diode	1SS53
D54	Diode	1SS53
D55	Diode	1K60
D56	Diode	1K60
D57	Diode	1SS53
D58	Diode	1S953
D59	Diode	1SS53
D60	Diode	1SS53
D63	Diode	1SS53
D64	Diode	1SS53
D66	Diode	1SS53
D67	Diode	1SS216
D68	Diode	1SS216
D69	Diode	1SS216
D70	Diode	1SS216
D71	Diode	1SS216
D72	Diode	1SS53
D73	Diode	1SS53
D74	Diode	1SS53
D75	Diode	1SS53
D76	Diode	1SS53
D77	Diode	1SS53
D78	Diode	1SS53
D79	Diode	1SS53
D80	Diode	1SS53
D81	Diode	1SS53
D82	Diode	1SS53
D83	Diode	1SS53
D84	Diode	1SS53
D85	Diode	1SS53
D86	Diode	1SS53
D87	Diode	1SS53
D88	Diode	1SS53
D89	Diode	1SS216
D90	Diode	1SS53
D91	Diode	1SS53
D92	Diode	1SS211
D93	Diode	1SS211
D94	Diode	1SS53
D95	Diode	1K60
D96	Diode	1SS53
D97	Diode	1SS53
D98	Diode	1SS216
D99	Diode	1SS216
D100	Diode	1SS216
D101	Diode	1SS216
D102	Diode	1SS53
D103	Diode	1SS216
D104	Diode	1SS216
D105	Diode	1SS216
D106	Diode	1SS216
D107	Diode	1SS53
D108	Diode	1SS53
D109	Diode	1SS53
D110	Varicap	FC51M
D111	Varicap	1SV50E
D112	Diode	1SS99
D114	Diode	1SS53
D115	Diode	1SS53
D116	Diode	1K60
D117	Diode	1K60
D118	Varicap	1SV50E

MAIN UNIT

REF. NO.	DESCRIPTION	PART NO.
D119	Diode	1SS53
D120	Diode	1SS216
D121	Diode	1SS53
D122	Diode	1SS53
D123	Diode	1SS53
D124	Diode	1SS216
D125	Diode	1SS216
D126	Varicap	1SV50E
D127	Diode	1SS53
D128	Diode	1SS53
D129	Diode	1SS53
D130	Diode	1SS53
D131	Diode	1SS53
D133	Diode	1SS53
D134	Diode	1SS53
D135	Diode	1SS53
D136	Diode	1SS53
D137	Diode	1SS53
D138	Diode	1SS53
D139	Diode	1SS53
D140	Diode	1SS53
D141	Diode	1SS211
D142	Diode	1SS53
D143	Diode	1SS53
D144	Diode	1SS53
D145	Diode	1K60
D147	Diode	1SS53
D148	Diode	1SS53
D149	Diode	1SS53
D150	Diode	1SS53
D151	Diode	1SS53
D152	Diode	1SS53
D155	Diode	1SS133
D157	Diode	1SS99
D158	Diode	1SS99
D159	Diode	1SS53
FI1	Monolithic	FL-87
FI2	Monolithic	FL-80
FI3	Crystal	FL-44A
FI4	Ceramic	CFJ-455K5
FI5	Ceramic	CFW-455HT
FI6	Ceramic	CFW-455E
FI7	Monolithic	FL-23
FI8	Monolithic	FL-32A
X1	Crystal	CR-168
X2	Crystal	CR-168
X3	Discriminator	CFY-455S
X4	Crystal	HC12/U 9.0105MHz
X5	Crystal	CR-168
X6	Crystal	CR-169
X7	Crystal	CR-1
L1	Coil	LS-163
L2	Coil	LS-163
L3	Coil	LAL03NA 101K
L4	Coil	LS-175
L5	Coil	LS-175
L6	Coil	LS-175
L7	Coil	FL5H 101K
L9	Coil	FL5H 102K

MAIN UNIT

REF. NO.	DESCRIPTION	PART NO.
L10	Coil	LS-163
L11	Coil	LS-90A
L12	Coil	LS-90A
L13	Coil	LAL03NA 100K
L14	Coil	LAL03NA 100K
L16	Coil	LS-146
L17	Coil	LAL04NA 101K
L18	Coil	LS-146
L19	Coil	S4 101K
L20	Coil	S4 101K
L21	Coil	LAL03NA 101K
L22	Coil	LS-175
L23	Coil	LS-282
L24	Coil	LS-175
L25	Coil	LS-175
L26	Coil	LS-266
L27	Coil	LS-122
L28	Coil	LS-16
L29	Coil	LS-133
L30	Coil	LAL03NA 150K
L31	Coil	LAL03NA 100K
L32	Coil	LAL03NA 101K
L33	Coil	LS-93A
L34	Coil	LS-93A
L35	Coil	LS-93A
L36	Coil	LS-292
L37	Coil	BT01RN1-A61
L39	Coil	LW-15
L40	Coil	LAL04NA 101K
L41	Coil	LAL03NA 101K
L42	Coil	LAL03NA 101K
L43	Coil	LAL04NA 102K
L44	Coil	LAL04NA 102K
L45	Coil	LAL03NA 101K
L46	Coil	LW-15
L47	Coil	LAL03NA 3R3K
L48	Coil	LAL03NA 101K
L49	Coil	LAL04NA 101K
L50	Coil	FL5H 101K
L51	Coil	LAL03NA 101K
L52	Coil	LAL03NA 390K
L53	Coil	LAL03NA 101K
R1	Resistor	4.7k ELR25
R2	Resistor	220 ELR25
R3	Resistor	220 ELR25
R4	Resistor	47 R20
R5	Resistor	10k ELR25
R6	Resistor	10k ELR25
R7	Resistor	10k ELR25
R8	Resistor	3.9k ELR25
R9	Resistor	3.9k ELR25
R11	Resistor	47k ELR25
R13	Resistor	560 R25
R14	Resistor	3.3k ELR20
R15	Resistor	33k ELR25
R16	Resistor	47k R20
R17	Resistor	10k R20
R18	Resistor	10k R20
R19	Resistor	4.7k R20
R20	Resistor	47k ELR25
R21	Resistor	10k ELR25

MAIN UNIT

REF. NO.	DESCRIPTION	PART NO.
R22	Resistor	4.7k ELR25
R23	Resistor	4.7k ELR25
R24	Resistor	33k ELR25
R25	Resistor	15k ELR25
R26	Resistor	4.7k ELR20
R27	Resistor	33k ELR25
R28	Resistor	15k ELR25
R29	Resistor	5.6k ELR25
R31	Resistor	82k ELR20
R32	Resistor	180k ELR20
R34	Resistor	47 ELR25
R35	Resistor	100k ELR25
R36	Resistor	470 ELR25
R37	Resistor	1M ELR25
R38	Resistor	220 ELR25
R39	Resistor	22k R25
R40	Resistor	1k ELR25
R41	Resistor	150 ELR25
R42	Resistor	100k ELR20
R43	Resistor	100k ELR20
R44	Resistor	1k ELR25
R45	Resistor	150 ELR25
R46	Resistor	6.8k ELR25
R47	Resistor	68k R20
R48	Resistor	47k ELR25
R49	Resistor	56k ELR25
R50	Resistor	100 ELR25
R51	Resistor	2.2k ELR25
R52	Resistor	2.2k ELR25
R53	Resistor	5.6k ELR25
R54	Resistor	1.5k R25
R55	Resistor	68k ELR25
R56	Resistor	470 ELR25
R57	Resistor	10k ELR25
R58	Resistor	10k ELR25
R59	Resistor	10k ELR25
R60	Resistor	22k ELR25
R61	Resistor	6.8k ELR25
R62	Array	RMX-5 47K
R63	Resistor	22k ELR25
R65	Resistor	27k ELR25
R66	Resistor	100 ELR25
R68	Trimmer	RHB0CS42BA 47k
R69	Resistor	3.3M ELR25
R70	Resistor	1M ELR25
R71	Resistor	1M ELR25
R72	Resistor	150 ELR25
R73	Resistor	47k ELR25
R74	Resistor	22k ELR25
R75	Resistor	3.3k ELR25
R76	Resistor	56k ELR25
R77	Resistor	150 ELR25
R78	Resistor	1.8M ELR25
R79	Resistor	680k ELR25
R80	Resistor	220k ELR25
R81	Resistor	390 ELR20
R82	Resistor	56k ELR25
R83	Resistor	150k R20
R84	Trimmer	RHB0CJ401A 22k
R85	Resistor	150k ELR25
R86	Resistor	220k ELR25
R87	Trimmer	RHB0CS42BA 47k

MAIN UNIT

REF. NO.	DESCRIPTION	PART NO.
R88	Resistor	15k R20
R89	Resistor	470k ELR25
R90	Resistor	22 ELR25
R91	Trimmer	RHBOCS42BA 47k
R92	Resistor	150k ELR25
R93	Resistor	220k R20
R94	Resistor	470k ELR25
R95	Trimmer	RHBOC1431A 10k
R96	Trimmer	RHBOC1431A 10k
R97	Resistor	1k ELR25
R98	Trimmer	RHBOC1431A 10k
R99	Trimmer	RHBOC1431A 10k
R100	Resistor	1M ELR20
R101	Resistor	56k ELR25
R102	Resistor	22k ELR25
R103	Trimmer	RHBOCJ30EA 2.2k
R104	Resistor	22k ELR25
R105	Resistor	56k R20
R106	Trimmer	RHBOC1324A 1k
R107	Resistor	27k ELR20
R108	Resistor	5.6k ELR20
R109	Resistor	470 ELR25
R110	Resistor	22k ELR25
R111	Resistor	4.7k ELR25
R112	Resistor	1k ELR25
R113	Resistor	4.7k ELR25
R114	Resistor	150 R20
R115	Resistor	10k R20
R116	Resistor	4.7k ELR25
R117	Resistor	220k ELR25
R118	Resistor	47k ELR25
R119	Resistor	3.3k R25
R120	Resistor	15k ELR25
R121	Trimmer	RHBOCN40YA 33k
R122	Resistor	180k ELR25
R123	Resistor	100k R25
R124	Resistor	120k ELR20
R125	Trimmer	RH0521C15J05A 100k
R126	Resistor	100k R20
R127	Resistor	5.6k ELR25
R128	Resistor	39k ELR25
R129	Resistor	100 ELR25
R130	Resistor	3.9k ELR25
R131	Resistor	330 ELR25
R132	Resistor	1M ELR25
R133	Resistor	1M ELR25
R134	Resistor	1k ELR25
R135	Resistor	100k ELR25
R136	Resistor	1k ELR25
R137	Resistor	4.7k ELR25
R138	Resistor	22k R20
R139	Resistor	4.7k ELR25
R140	Resistor	2.2k ELR25
R141	Resistor	2.2k ELR20
R142	Resistor	1k ELR25
R143	Resistor	4.7k ELR25
R144	Resistor	330 ELR25
R145	Resistor	47 ELR25
R146	Resistor	56k ELR25
R147	Resistor	220 ELR25
R148	Resistor	1k ELR25
R149	Resistor	100 ELR25

MAIN UNIT

REF. NO.	DESCRIPTION	PART NO.
R150	Resistor	39k ELR25
R151	Resistor	2.2k ELR20
R152	Resistor	47k ELR20
R153	Resistor	2.7k R20
R154	Resistor	1.5k ELR25
R155	Trimmer	RHA3A140SA 10k
R156	Resistor	2.2k R20
R157	Resistor	330k ELR25
R158	Trimmer	RHBOC1431A 10k
R159	Trimmer	RHBOC1431A 10k
R160	Resistor	100k ELR25
R161	Trimmer	RHBOC1431A 10k
R162	Resistor	2.2k ELR25
R163	Resistor	100 ELR25
R164	Resistor	5.6k ELR20
R165	Resistor	5.6k ELR25
R166	Resistor	5.6k ELR20
R167	Resistor	220 R20
R168	Resistor	1k R25
R169	Resistor	1.5k R20
R170	Resistor	5.6k R20
R171	Resistor	1.5k R25
R172	Resistor	220 R20
R173	Resistor	1.5k R20
R174	Resistor	100 R25
R175	Resistor	5.6k R20
R176	Resistor	1.2k R20
R177	Resistor	220 R20
R178	Resistor	100 R25
R179	Resistor	1.5k R20
R180	Resistor	100 R25
R181	Resistor	5.6k R20
R182	Resistor	1.2k R20
R183	Resistor	4.7k ELR25
R184	Resistor	4.7k ELR25
R185	Resistor	5.6k ELR25
R186	Resistor	2.7k ELR25
R187	Resistor	2.2k ELR25
R188	Resistor	1.2k ELR25
R189	Resistor	47k ELR25
R190	Resistor	10k ELR25
R191	Resistor	330 ELR25
R192	Resistor	56 ELR25
R193	Resistor	100 ELR25
R194	Resistor	47 ELR25
R195	Resistor	6.8k ELR25
R196	Trimmer	RHBOCJ401A 22k
R197	Resistor	18k ELR25
R198	Resistor	22k ELR25
R199	Resistor	10k ELR25
R200	Resistor	1k ELR25
R201	Resistor	100 R25
R202	Resistor	4.7k ELR25
R203	Resistor	4.7k ELR25
R204	Resistor	220k ELR25
R205	Resistor	47 ELR25
R206	Resistor	6.8k ELR25
R207	Thermistor	112 503-2AI
R208	Resistor	10k ELR25
R209	Resistor	10k ELR25
R210	Resistor	330 ELR25

MAIN UNIT

REF. NO.	DESCRIPTION	PART NO.
R211	Resistor	10k ELR20
R212	Resistor	220 ELR25
R213	Resistor	4.7k R25
R214	Resistor	6.8k R20
R215	Resistor	6.8k R25
R216	Resistor	220 R25
R217	Resistor	47k ELR25
R218	Resistor	6.8k R25
R219	Resistor	100 R25
R220	Resistor	6.8k ELR25
R221	Resistor	220 R25
R222	Resistor	47k ELR25
R223	Resistor	6.8k R20
R224	Resistor	100 R25
R225	Resistor	6.8k ELR25
R226	Resistor	220 R25
R227	Resistor	47k ELR25
R228	Resistor	6.8k ELR25
R229	Resistor	100 R25
R230	Resistor	6.8k R25
R231	Resistor	220 R25
R232	Resistor	47k ELR25
R233	Resistor	6.8k R20
R234	Resistor	100 R25
R235	Resistor	3.9k ELR25
R236	Resistor	220 ELR25
R237	Resistor	3.9k ELR25
R238	Resistor	1k ELR25
R239	Trimmer	RHB0C1431A 10k
R240	Resistor	220k ELR25
R241	Resistor	2.2k ELR25
R242	Resistor	4.7k ELR25
R243	Resistor	4.7k ELR25
R244	Resistor	10k ELR25
R245	Resistor	2.2k ELR25
R246	Resistor	100k ELR25
R247	Resistor	56k ELR25
R248	Resistor	22k ELR20
R249	Resistor	3.3k ELR20
R250	Resistor	100k ELR20
R251	Resistor	220 ELR25
R252	Resistor	3.9k ELR25
R253	Resistor	47 ELR25
R254	Resistor	100 ELR25
R255	Resistor	330 ELR25
R256	Resistor	220 ELR25
R257	Thermistor	35D45
R258	Resistor	6.8k ELR25
R259	Trimmer	RHB0C1431A 10k
R260	Resistor	100 ELR25
R261	Resistor	47 ELR25
R262	Resistor	330 ELR25
R263	Resistor	100 R25
R264	Resistor	2.2k ELR25
R265	Resistor	150 ELR25
R266	Resistor	1k ELR25
R267	Resistor	10k ELR25
R268	Resistor	1k ELR25
R269	Resistor	15k ELR25
R270	Trimmer	RHB0C1324A 1k
R271	Resistor	2.2k ELR25
R272	Resistor	220 ELR20

MAIN UNIT

REF. NO.	DESCRIPTION	PART NO.
R273	Resistor	3.3k ELR25
R274	Resistor	100 R20
R275	Resistor	100 R20
R276	Resistor	10k ELR25
R277	Resistor	10k ELR25
R278	Resistor	1k ELR25
R279	Resistor	2.7k ELR25
R280	Resistor	12k ELR20
R281	Resistor	3.3M ELR25
R282	Resistor	10k ELR25
R283	Resistor	1k ELR25
R284	Resistor	5.6k R25
R285	Resistor	82k ELR25
R286	Resistor	82k ELR25
R287	Resistor	82k ELR25
R288	Resistor	330k ELR20
R289	Resistor	220 ELR20
R290	Trimmer	RHB0CS32UA 4.7k
R291	Resistor	220 R25
R292	Trimmer	RHB0CS32UA 4.7k
R293	Resistor	18k ELR25
R294	Resistor	22k ELR25
R295	Resistor	470k ELR25
R296	Resistor	47k ELR25
R297	Thermistor	33D28
R298	Resistor	33k ELR25
R299	Resistor	3.9k ELR25
R300	Resistor	5.6k ELR25
R301	Resistor	22k ELR25
R302	Resistor	22k ELR25
R303	Resistor	220 ELR25
R304	Resistor	560 ELR25
R305	Resistor	47k R20
R306	Resistor	220 ELR25
R307	Resistor	220 ELR25
R308	Resistor	150 R20
R309	Resistor	1k R20
R310	Resistor	22k ELR25
R311	Resistor	47k ELR25
R312	Resistor	150 R20
R313	Resistor	2.2k R20
R314	Resistor	22k R20
R315	Resistor	22k R20
R316	Resistor	10k R20
R317	Resistor	2.2k R20
R318	Resistor	2.2k R20
R319	Resistor	2.2k R20
R320	Resistor	2.2k R20
R321	Resistor	2.2k R20
R322	Resistor	2.2k R25
R323	Resistor	47k ELR25
R324	Resistor	47k ELR25
R325	Resistor	150 R20
R326	Resistor	150 R20
R327	Resistor	33k ELR25
R328	Resistor	2.2k ELR25
R329	Resistor	22k ELR25
R330	Resistor	10k R20
R331	Resistor	47k R20
R332	Resistor	100k R20
R333	Resistor	22k ELR25
R334	Resistor	100k R20

MAIN UNIT

REF. NO.	DESCRIPTION	PART NO.
R335	Resistor	3.3M ELR25
R336	Resistor	100k ELR25
R337	Trimmer	RHB0C1431A 10k
R338	Resistor	22k ELR25
R339	Resistor	680 ELR25
R340	Resistor	4.7k ELR20
R341	Resistor	1k ELR25
R342	Resistor	22k ELR25
R343	Resistor	150k ELR25
R344	Resistor	1.5k ELR25
R345	Resistor	5.6k ELR25
R346	Resistor	33k ELR25
R347	Resistor	150 ELR25
R348	Resistor	33k ELR25
R349	Resistor	5.6k ELR25
R350	Resistor	33k ELR25
R351	Resistor	10k ELR25
R352	Resistor	10k ELR25
R353	Resistor	82k ELR25
R354	Resistor	22 ELR25
R355	Resistor	82k ELR25
R356	Resistor	270k ELR25
R357	Resistor	1k ELR25
R358	Resistor	22k ELR25
R359	Resistor	47k ELR25
R360	Resistor	4.7k ELR25
R361	Resistor	4.7k ELR25
R362	Resistor	10k ELR25
R363	Resistor	10 ELR25
R364	Resistor	1k R25
R365	Resistor	1.5k ELR25
R366	Resistor	10k ELR25
R367	Resistor	5.6 ELR25
R368	Resistor	1k ELR25
R369	Resistor	4.7k ELR25
R371	Resistor	1k ELR25
R372	Resistor	1 ELR25
R373	Resistor	100 ELR25
R374	Trimmer	RHB0CS32UA 4.7k
R375	Resistor	3.3k ELR25
R376	Resistor	6.8k ELR25
R377	Resistor	4.7k ELR25
R378	Resistor	18k ELR25
R379	Resistor	390 ELR25
R380	Resistor	1k ELR25
R381	Resistor	330 ELR25
R382	Resistor	10k ELR25
R383	Resistor	33k ELR25
R384	Resistor	560 R25
R385	Resistor	1k ELR25
R386	Resistor	3.9k ELR25
R388	Resistor	10k ELR20
R389	Resistor	10k ELR20
R390	Resistor	2.2k ELR25
R391	Resistor	5.6k ELR25
R392	Resistor	10k ELR25
R393	Resistor	10k ELR20
R394	Resistor	3.3k ELR20
R395	Resistor	5.6k ELR25
R396	Resistor	100k ELR25
R397	Resistor	100k ELR25

MAIN UNIT

REF. NO.	DESCRIPTION	PART NO.
R398	Resistor	10k R25
R399	Resistor	1.5k ELR25
R400	Resistor	1.2k ELR25
R401	Resistor	22k R25
R402	Resistor	4.7k ELR25
R403	Resistor	100 ELR25
R404	Resistor	47k ELR25
R405	Resistor	4.7k R25
R406	Resistor	47k ELR25
R407	Resistor	100 ELR25
R408	Resistor	10k ELR25
R409	Resistor	220 ELR25
R410	Resistor	22k ELR25
R411	Resistor	22k ELR25
R412	Resistor	1.5k ELR25
R413	Resistor	330 ELR25
R414	Resistor	680 ELR25
R415	Resistor	1.5k ELR25
R416	Resistor	220k ELR25
R418	Resistor	82k ELR25
R419	Resistor	10k ELR25
R420	Resistor	5.6k R20
R421	Resistor	3.9k R20
R422	Resistor	10k R20
R423	Resistor	5.6k R20
R424	Resistor	2.2k ELR25
R425	Resistor	220 ELR25
R426	Resistor	1k ELR25
R427	Resistor	220 ELR20
R428	Resistor	150 R25
R429	Resistor	47 ELR25
R430	Resistor	1.5k R20
R431	Resistor	2.2k ELR20
R432	Resistor	2.7k R20
R433	Resistor	2.7k R20
R434	Resistor	150k ELR20
R435	Resistor	2.7k ELR20
R436	Resistor	12k ELR20
R438	Resistor	1k ELR20
R439	Resistor	680 ELR20
R440	Thermistor	33D28
R441	Resistor	390 R20
R442	Trimmer	RHB0C1324A 1k
R443	Resistor	100k ELR25
R444	Thermistor	33D28
R445	Resistor	15 ELR20
R446	Resistor	47 ELR20
R447	Resistor	1k ELR20
R448	Resistor	470 R20
R449	Resistor	330 ELR20
R450	Resistor	1M ELR20
R451	Trimmer	RHB0CS511A 470k
R452	Resistor	150 R20
R453	Resistor	150 ELR20
R454	Resistor	1k ELR20
R455	Resistor	220k ELR25
R456	Resistor	47k ELR20
R457	Resistor	270 R20
R458	Resistor	6.8k R20
R459	Resistor	56k ELR20

MAIN UNIT

REF. NO.	DESCRIPTION	PART NO.
C1	Array	B8ZC0111-32N 0.0082x7
C2	Ceramic	2P 50V
C3	Ceramic	0.0047 50V
C4	Ceramic	0.0047 50V
C5	Ceramic	0.0047 50V
C7	Barrier Layer	0.1 16V
C8	Ceramic	0.0047 50V
C9	Ceramic	0.0047 50V
C10	Ceramic	33P 50V
C11	Ceramic	0.0047 50V
C12	Ceramic	22P 50V CH
C13	Ceramic	100P 50V CH
C14	Ceramic	100P 50V CH
C15	Trimmer	VCT51F126A 30P
C16	Ceramic	22P 50V CH
C17	Trimmer	VCT51C143A 10P
C18	Ceramic	10P 50V CH
C19	Ceramic	22P 50V CH
C20	Trimmer	VCT51A123A 6P
C21	Barrier Layer	0.01 25V
C22	Barrier Layer	0.01 25V
C23	Mylar	0.1 50V
C24	Mylar	0.15 50V
C25	Ceramic	0.0047 50V
C26	Ceramic	0.0047 50V
C27	Barrier Layer	0.1 16V
C28	Ceramic	0.0047 50V
C29	Ceramic	0.0047 50V
C30	Ceramic	0.0047 50V
C31	Electrolytic	2.2 50V MS7
C32	Barrier Layer	0.1 16V
C33	Ceramic	0.0047 50V
C34	Ceramic	0.001 50V
C35	Ceramic	0.0047 50V
C36	Mylar	0.01 50V
C37	Ceramic	330P 50V
C38	Mylar	0.01 50V
C39	Tantalum	0.47 35V
C40	Electrolytic	4.7 25V MS7
C41	Electrolytic	22 16V
C42	Ceramic	0.0047 50V
C43	Electrolytic	0.47 50V MS7
C44	Electrolytic	4.7 25V MS7
C45	Barrier Layer	0.1 16V
C46	Ceramic	0.001 50V
C47	Ceramic	0.0047 50V
C48	Ceramic	0.0047 50V
C50	Electrolytic	3.3 50V MS7
C52	Ceramic	0.0047 50V
C53	Ceramic	0.0047 50V
C54	Electrolytic	10 16V MS7
C55	Barrier Layer	0.047 25V
C56	Barrier Layer	0.1 16V
C57	Electrolytic	3.3 50V MS7
C58	Barrier Layer	0.047 25V
C59	Electrolytic	4.7 25V MS7
C60	Electrolytic	3.3 50V MS7
C62	Electrolytic	0.47 50V MS7
C63	Electrolytic	0.33 50V MS7
C64	Barrier Layer	0.1 16V
C65	Electrolytic	3.3 50V MS7
C66	Barrier Layer	0.1 16V

MAIN UNIT

REF. NO.	DESCRIPTION	PART NO.
C68	Electrolytic	10 16V MS7
C69	Ceramic	0.0047 50V
C70	Ceramic	3P 50V
C71	Ceramic	2P 50V
C72	Ceramic	0.0047 50V
C75	Barrier Layer	0.047 25V
C76	Ceramic	0.001 50V
C77	Barrier Layer	0.1 16V
C78	Ceramic	22P 50V
C79	Ceramic	0.0047 50V
C80	Ceramic	0.0047 50V
C81	Ceramic	0.0047 50V
C82	Ceramic	0.0047 50V
C83	Electrolytic	4.7 25V MS7
C84	Electrolytic	10 16V MS7
C85	Electrolytic	47 16V
C86	Barrier Layer	0.1 16V
C87	Barrier Layer	0.1 16V
C88	Electrolytic	4.7 25V BP
C89	Ceramic	82P 50V
C90	Barrier Layer	0.1 16V
C91	Ceramic	0.0047 50V
C92	Electrolytic	100 10V
C93	Ceramic	0.001 50V
C94	Ceramic	27P 50V
C95	Ceramic	0.0047 50V
C96	Ceramic	0.0047 50V
C97	Ceramic	0.0047 50V
C98	Barrier Layer	0.1 16V
C99	Ceramic	0.0047 50V
C100	Ceramic	0.0047 50V
C101	Ceramic	0.0047 50V
C102	Ceramic	0.0047 50V
C103	Ceramic	0.0047 50V
C104	Barrier Layer	0.1 16V
C105	Ceramic	0.0047 50V
C106	Ceramic	0.0047 50V
C108	Barrier Layer	0.1 16V
C109	Ceramic	0.0047 50V
C110	Barrier Layer	0.1 16V
C111	Barrier Layer	0.1 16V
C112	Barrier Layer	0.1 16V
C113	Barrier Layer	0.1 16V
C114	Ceramic	220P 50V
C115	Barrier Layer	0.1 16V
C116	Electrolytic	0.1 50V MS7
C117	Electrolytic	4.7 25V MS7
C118	Ceramic	0.001 50V
C119	Ceramic	330P 50V
C120	Barrier Layer	0.0012 25V
C121	Barrier Layer	0.1 16V
C122	Barrier Layer	0.1 16V
C123	Ceramic	0.0047 50V
C124	Barrier Layer	0.1 16V
C125	Barrier Layer	0.0012 25V
C126	Barrier Layer	0.1 16V
C127	Barrier Layer	0.1 16V
C128	Barrier Layer	0.1 16V
C129	Barrier Layer	0.1 16V
C130	Barrier Layer	0.1 16V
C131	Barrier Layer	0.1 16V
C132	Barrier Layer	0.1 16V

MAIN UNIT

REF. NO.	DESCRIPTION	PART NO.	
C133	Barrier layer	0.1	16V
C134	Barrier Layer	0.1	16V
C135	Barrier Layer	0.1	16V
C136	Barrier Layer	0.1	16V
C137	Ceramic	0.0047	50V
C138	Ceramic	0.0047	50V
C139	Electrolytic	1	50V MS7
C140	Ceramic	0.0047	50V
C141	Barrier Layer	0.1	16V
C142	Ceramic	0.0047	50v
C143	Ceramic	0.0047	50V
C144	Ceramic	0.0047	50V
C145	Ceramic	5P	50V CH
C146	Trimmer	VCT51A123A	6P
C147	Ceramic	0.0047	50V
C148	Barrier Layer	0.01	25V
C149	Ceramic	0.0047	50V
C150	Ceramic	0.0047	50V
C151	Ceramic	0.0047	50V
C152	Ceramic	0.0047	50V
C153	Ceramic	0.0047	50V
C154	Ceramic	0.0047	50V
C155	Ceramic	0.0047	50V
C156	Ceramic	0.0047	50V
C157	Ceramic	22P	50V
C158	Barrier Layer	0.1	16V
C160	Ceramic	0.0047	50V
C161	Barrier Layer	0.1	16V
C163	Ceramic	470P	50V
C164	Barrier Layer	0.1	16V
C165	Barrier Layer	0.1	16V
C166	Ceramic	0.0047	50V
C167	Barrier Layer	0.1	16V
C168	Barrier Layer	0.1	16V
C169	Barrier Layer	0.1	16V
C170	Electrolytic	2.2	50V MS7
C171	Ceramic	0.0047	50V
C172	Ceramic	0.0047	50V
C173	Electrolytic	2.2	50V MS7
C174	Ceramic	0.0047	50V
C175	Mylar	0.01	50V
C176	Electrolytic	10	16V MS7
C177	Mylar	0.001	50V
C178	Mylar	0.0022	50V
C179	Ceramic	120P	50V
C180	Electrolytic	10	16V MS7
C181	Electrolytic	0.47	50V MS7
C182	Ceramic	0.0047	50V
C183	Barrier Layer	0.01	25V
C184	Ceramic	7P	50V CH
C185	Ceramic	10P	50V CH
C186	Ceramic	100P	50V CH
C187	Ceramic	100P	50V CH
C188	Ceramic	0.0047	50V
C189	Ceramic	15P	50V CH
C190	Ceramic	0.0047	50V
C191	Ceramic	27P	50V
C192	Ceramic	56P	50V
C193	Barrier Layer	0.1	16V
C194	Electrolytic	0.22	50V MS7
C195	Ceramic	0.0047	50V
C196	Barrier Layer	0.047	25V

MAIN UNIT

REF. NO.	DESCRIPTION	PART NO.	
C197	Ceramic	22P	50V
C198	Barrier Layer	0.047	25V
C199	Ceramic	220P	50V CH
C200	Ceramic	220P	50V CH
C201	Ceramic	30P	50V CH
C202	Trimmer	VCT51F126A	30P
C203	Ceramic	39P	50V CH
C204	Barrier Layer	0.047	25V
C205	Barrier Layer	0.047	25V
C206	Cylinder	TP125X	103M
C207	Barrier layer	0.047	25V
C208	Ceramic	180P	50V
C209	Ceramic	100P	50V
C210	Ceramic	0.0047	50V
C211	Ceramic	0.0047	50V
C212	Ceramic	2P	50V
C213	Ceramic	8P	50V
C214	Ceramic	100P	50V CH
C215	Ceramic	100P	50V CH
C216	Ceramic	0.0047	50V
C217	Ceramic	0.0047	50V
C218	Array	B8ZC0111-32N	0.0082x7
C219	Ceramic	0.0047	50V
C220	Electrolytic	10	16V MS7
C221	Barrier Layer	0.1	16V
C222	Electrolytic	0.47	50V MS7
C223	Ceramic	0.0047	50V
C224	Electrolytic	10	16V MS7
C225	Electrolytic	4.7	25V MS7
C226	Electrolytic	0.47	50V MS7
C227	Mylar	0.047	50V
C228	Electrolytic	1	50V MS7
C229	Tantalum	1	35V
C230	Tantalum	1.5	35V
C231	Ceramic	0.0047	50V
C232	Ceramic	0.0047	50V
C233	Tantalum	3.3	35V
C235	Barrier Layer	0.1	16V
C236	Electrolytic	4.7	25V
C237	Ceramic	0.0047	50V
C238	Electrolytic	470	16V
C239	Barrier Layer	0.1	16V
C240	Electrolytic	47	16V
C241	Electrolytic	47	16V
C243	Electrolytic	1000	16V MS16
C244	Barrier Layer	0.047	25V
C245	Electrolytic	100	16V
C246	Electrolytic	10	16V MS7
C247	Mylar	0.022	50V
C248	Mylar	0.022	50V
C249	Mylar	0.022	50V
C250	Tantalum	10	10V

MAIN UNIT

REF. NO.	DESCRIPTION	PART NO.
C251	Mylar	0.022 50V
C252	Electrolytic	2.2 50V MS7
C253	Electrolytic	2.2 50V MS7
C254	Ceramic	0.001 50V
C255	Electrolytic	2.2 50V MS7
C256	Barrier Layer	0.047 25V
C257	Electrolytic	0.1 50V MS7
C258	Barrier Layer	0.1 16V
C259	Electrolytic	10 16V MS7
C260	Ceramic	0.0047 50V
C261	Barrier Layer	0.1 16V
C262	Mylar	0.01 50V
C263	Mylar	0.01 50V
C264	Mylar	0.033 50V
C265	Barrier Layer	0.047 25V
C266	Electrolytic	0.47 50V MS7
C267	Ceramic	0.0047 50V
C268	Ceramic	0.0047 50V
C269	Ceramic	82P 50V
C270	Electrolytic	0.1 50V MS7
C271	Barrier Layer	0.1 16V
C272	Ceramic	0.001 50V
C273	Ceramic	0.0047 50V
C274	Electrolytic	10 16V MS7
C275	Mylar	0.022 50V
C276	Mylar	0.001 50V
C277	Ceramic	330P 50V
C278	Array	B7ZC0715-32N 0.0022x6
C279	Array	B5RC0124-32N 0.001x4
C280	Electrolytic	10 16V MS7
C281	Ceramic	0.0047 50V
C282	Mylar	0.022 50V
C283	Electrolytic	22 16V
C284	Electrolytic	1 50V MS7
C285	Electrolytic	0.47 50V MS7
C286	Ceramic	0.001 50V
C287	Barrier Layer	0.1 16V
C289	Ceramic	10P 50V
C290	Electrolytic	10 16V MS7
C291	Barrier Layer	0.1 16V
C292	Barrier Layer	0.047 25V
C293	Electrolytic	10 16V MS7
C294	Mylar	0.01 50V
C295	Electrolytic	10 16V MS7
C296	Ceramic	0.0047 50V
C297	Electrolytic	0.47 50V MS7
C298	Ceramic	15P 50V UJ
C299	Barrier Layer	0.1 16V
C300	Barrier Layer	0.1 16V
C301	Ceramic	470P 50V
C302	Ceramic	100P 50V
C303	Barrier Layer	0.1 16V
C304	Ceramic	4P 50V CH
C305	Electrolytic	10 16V MS7
C306	Electrolytic	1 50V MS7
C307	Barrier Layer	0.1 16V
CP1	Check Point	IPS-1136
J1	Connector	TL25P-10-V1
J2	Connector	TL25P-03-V1
J3	Connector	TL25P-04-V1

MAIN UNIT

REF. NO.	DESCRIPTION	PART NO.
J4	Connector	TMP-J01X-A2
J5	Connector	TL25P-08-V1
J6	Connector	TSL-P03P-B1
J7	Connector	TL25P-07-V1
J8	Connector	TL25P-09-V1
J9	Connector	TL25P-07-V1
J10	Connector	TL25P-07-V1
J11	Connector	TL25P-08-V1
J12	Connector	TL25P-08-V1
J13	Connector	TL25P-06-V1
J14	Connector	TL25P-05-V1
J15	Connector	TL25P-08-V1
J16	Connector	TL25P-08-V1
P1	Connector	TL25H-05-B1
S1	Switch	SSSS31124A
S2	Switch	SSSS31124A
S3	Switch	EVQ-RBA
S4	Switch	EVQ-RBA
S8	Switch	SSSS31124A
S01	Socket	380598-2
S02	Socket	380598-2
S03	Socket	380598-2
S04	Socket	380598-2
EP1	Ferrite Bead	FSQH050RN
EP2	P.C.Board	B-1035C
EP3	P.C.Board	B-1169
EP9	Rubber Grommet	B-312
EP10	Mica Plate	P-103KD
EP11	Ferrite Bead	FSQH070RN
EP16	Ferrite Bead	FSQH070RN
W1	Jumper	IPS-1041-2
W2	Jumper	IPS-1041-2
W3	Jumper	IPS-1041-2
W4	Jumper	IPS-1041-2
W5	Jumper	IPS-1041-2
W6	Jumper	IPS-1041-2
W7	Jumper	IPS-1041-4
W8	Jumper	IPS-1041-2
W9	Jumper	IPS-1041-2
W10	Jumper	IPS-1041-2
W11	Jumper	JPW-02A
W12	Jumper	IPS-1041-2
W13	Jumper	IPS-1041-2
W14	Jumper	IPS-1041-2
W15	Jumper	IPS-1041-4
W16	Jumper	IPS-1041-2
W18	Jumper	IPS-1041-4
W19	Jumper	IPS-1041-2
W20	Jumper	IPS-1041-2
W21	Jumper	IPS-1041-4
W22	Jumper	IPS-1041-4
W23	Jumper	IPS-1041-2
W24	Jumper	IPS-1041-4
W25	Jumper	IPS-1041-4
W26	Jumper	IPS-1041-2
W27	Jumper	IPS-1041-2
W28	Jumper	IPS-1041-2

MAIN UNIT

REF. NO.	DESCRIPTION	PART NO.
W29	Jumper	IPS-1041-2
W30	Jumper	IPS-1041-2
W32	Jumper	IPS-1041-4
W33	Jumper	IPS-1041-2
W34	Jumper	IPS-1041-4
W35	Jumper	IPS-1041-4
W36	Jumper	IPS-1041-2
W37	Jumper	IPS-1041-2
W38	Jumper	IPS-1041-2
W39	Jumper	IPS-1041-2
W40	Jumper	IPS-1041-2
W41	Jumper	IPS-1041-4
W43	Jumper	IPS-1041-2
W44	Jumper	IPS-1041-2
W45	Jumper	IPS-1041-4
W46	Jumper	IPS-1041-4
W47	Jumper	IPS-1041-2
W48	Jumper	IPS-1041-2
W49	Jumper	IPS-1041-2
W50	Jumper	IPS-1041-2
W51	Jumper	IPS-1041-4
W52	Jumper	IPS-1041-2
W53	Jumper	IPS-1041-4
W54	Jumper	JPW-02A
W55	Jumper	IPS-1041-2
W56	Jumper	IPS-1041-4
W57	Jumper	IPS-1041-4
W58	Jumper	IPS-1041-2
W59	Jumper	IPS-1041-4
W60	Jumper	IPS-1041-2
W61	Jumper	IPS-1041-2
W62	Jumper	IPS-1041-2
W63	Jumper	IPS-1041-2
W64	Jumper	IPS-1041-2
W65	Jumper	IPS-1041-4
W66	Jumper	IPS-1041-4
W67	Jumper	IPS-1041-4
W69	Jumper	IPS-1041-2
W70	Jumper	IPS-1041-2
W71	Jumper	IPS-1041-2
W72	Jumper	IPS-1041-4
W73	Jumper	IPS-1041-4
W75	Jumper	IPS-1041-2
W76	Jumper	IPS-1041-2
W77	Jumper	IPS-1041-4
W78	Jumper	IPS-1041-2
W79	Jumper	IPS-1041-2
W80	Jumper	IPS-1041-2
W81	Jumper	IPS-1041-4
W82	Jumper	IPS-1041-4
W83	Jumper	IPS-1041-4
W84	Jumper	IPS-1041-4
W85	Jumper	IPS-1041-2
W86	Jumper	JPW-02H
W87	Jumper	IPS-1041-2
W88	Jumper	IPS-1041-2
W89	Jumper	IPS-1041-2
W90	Jumper	IPS-1041-2
W92	Jumper	IPS-1041-4
W93	Jumper	IPS-1041-4
W94	Jumper	IPS-1041-4
W95	Jumper	IPS-1041-4
W96	Jumper	IPS-1041-2
W97	Jumper	IPS-1041-2

MAIN UNIT

REF. NO.	DESCRIPTION	PART NO.
W98	Jumper	IPS-1041-2
W99	Jumper	IPS-1041-2
W100	Jumper	23/00/170/D21/D21
W101	Jumper	23/01/105/D21/D21
W102	Jumper	23/02/155/D21/D21
W103	Jumper	[61/99/150/W13A/W13A]
W104	Jumper	08 A A
W105	Jumper	23/05/145/D21/D21
W106	Jumper	23/06/170/D21/D21
W107	Jumper	[61/99/305/W13A/W13A]
W108	Jumper	08 A A
W109	Jumper	23/09/120/D21/D21
W110	Jumper	23/00/110/D21/D21
W111	Jumper	23/01/150/D21/D21
W112	Jumper	23/02/180/D21/D21
W113	Jumper	23/03/220/D21/D21
W114	Jumper	23/04/140/D21/D21
W115	Jumper	23/05/200/D21/D21
W116	Jumper	23/06/060/D21/D21
W117	Jumper	23/07/120/D21/D21
W118	Jumper	23/08/070/D21/D21
W119	Jumper	23/09/100/D21/D21
W120	Jumper	23/00/140/D21/D21
W121	Jumper	[51/99/150/W13A/W13A]
W122	Jumper	08 A A
W123	Jumper	23/03/250/D21/D21
W124	Jumper	[61/99/280/W13A/W13A]
W125	Jumper	08 A A
W126	Jumper	[61/99/230/W13A/W13A]
W127	Jumper	08 A A
W128	Jumper	23/08/180/D21/D21
W129	Jumper	23/09/130/D21/D21
W130	Jumper	23/00/105/D21/D21
W131	Jumper	23/01/155/D21/D21
W132	Jumper	23/02/235/D21/D21
W133	Jumper	23/03/125/D21/D21
W134	Jumper	[61/99/300/W13A/W13A]
W135	Jumper	08 A A
W136	Jumper	23/06/300/D21/D21
W137	Jumper	23/07/065/D21/D21
W138	Jumper	23/08/205/D21/D21
W139	Jumper	23/09/150/D21/D21
W140	Jumper	23/00/140/D21/D21
W141	Jumper	23/01/165/D21/D21
W142	Jumper	23/02/165/D21/D21
W143	Jumper	23/03/120/D21/D21
W144	Jumper	[51/99/210/W13A/W13A]
W145	Jumper	08 A A
W146	Jumper	23/06/070/D21/D21
W147	Jumper	23/07/100/D21/D21
W148	Jumper	23/08/070/D21/D21
W150	Jumper	23/00/150/D21/D21
W151	Jumper	[51/99/135/W13A/W13A]
W152	Jumper	08 A A
W153	Jumper	[51/99/105/W13A/W13A]
W154	Jumper	08 A A
W155	Jumper	23/05/280/D21/C01
W156	Jumper	23/06/300/D21/C01
W157	Jumper	23/07/255/D21/C01
W158	Jumper	23/08/200/D21/C01
W159	Jumper	23/09/065/D21/D21
W160	Jumper	72/99/005/X98/X98
W161	Jumper	74/98/015/X98/X98
W162	Jumper	74/98/020/X98/X98

10 - 8 RF UNIT

REF. NO.	DESCRIPTION	PART NO.
IC1	IC	BA618
IC2	IC	BA618
IC3	IC	ND487C1-3R
Q1	Transistor	2SC945-P/Q
Q2	Transistor	2SC2053
Q3	Transistor	2SA1048-Y
Q5	Transistor	2SC1571-G
Q6	FET	2SK125
Q7	FET	2SK125
Q8	FET	3SK74-M
Q9	FET	2SK125
Q10	FET	2SK125
Q11	FET	3SK74-M
Q12	FET	3SK74-K
Q13	FET	3SK74-K
Q14	Transistor	2SC2053
Q15	Transistor	2SC2878
Q16	Transistor	2SC3402
Q17	Transistor	2SC945-P/Q
Q18	Transistor	2SC3402
Q19	Transistor	2SC3402
Q20	Transistor	2SD468-C
Q21	Transistor	2SC3399
D1	Diode	1S953
D2	Diode	1S953
D3	Diode	1SS53
D4	Diode	1SS53
D5	Diode	1N4002
D6	Diode	1N4002
D7	Diode	1SS53
D9	Diode	1SS53
D10	Diode	MI204
D11	Diode	MI204
D12	Diode	1SS53
D13	Diode	1SS53
D14	Diode	1SS53
D15	Diode	1SS53
D16	Diode	1SS53
D17	Diode	1SS53
D18	Diode	1SS53
D19	Diode	1SS53
D20	Diode	1SS53
D21	Diode	1SS53
D22	Diode	1SS53
D23	Diode	1SS53
D24	Diode	1SS53
D25	Diode	1SS53
D26	Diode	1SS53
D27	Diode	1SS53
D28	Diode	1SS53
D29	Diode	1SS53
D30	Diode	1SS53
D31	Diode	1SS53
D32	Diode	1SS53
D33	Diode	1SS53
D34	Diode	1SS53
D35	Diode	1SS53
D36	Diode	1SS53
D37	Diode	1SS53
D38	Diode	1SS53

RF UNIT

REF. NO.	DESCRIPTION	PART NO.
D39	Diode	1SS53
D40	Diode	1SS53
D41	Diode	MI204
D42	Diode	MI204
D43	Diode	MI204
D44	Diode	MI204
D45	Diode	1SS53
D46	Diode	1SS55
D47	Diode	MI204
D48	Diode	1SS53
D49	Diode	1SS53
D50	Diode	1SS53
D51	Zener	RD9.1E B3
D52	Diode	1SS53
D53	Diode	1SS53
D54	Diode	1SS53
FI1	Monolithic	FL-64
L1	Coil	EL0810SKI 101K
L2	Coil	EL0810SKI 101K
L3	Coil	EL0810SKI 101K
L4	Coil	EL0810SKI 102K
L5	Coil	EL0810SKI 102K
L6	Coil	FL5H 102K
L7	Coil	FL5H 102K
L8	Coil	EL0810SKI 101K
L9	Coil	EL0810SKI 101K
L10	Coil	EL0810SKI 101K
L11	Coil	EL0810SKI 101K
L12	Coil	LB4 R15
L13	Coil	LB4 R50
L14	Coil	FL5H 101K
L15	Coil	LR-151
L16	Coil	LR-170
L17	Coil	LS-114
L18	Coil	LS-254
L19	Coil	LS-254
L20	Coil	LS-254
L21	Coil	LS-198
L22	Coil	LR-171
L23	Coil	LA-268
L24	Coil	LA-258
L25	Coil	S4 102K
L26	Coil	LB4 R83
L27	Coil	LR-116
L28	Coil	LR-116
L29	Coil	LA-96
L30	Coil	LB-86A
L31	Coil	LS-114
L32	Coil	LS-114
L33	Coil	LS-198
L34	Coil	LR-75A
L35	Coil	FL5H 102K
L36	Coil	EL0810SKI 102K
L37	Coil	FL5H 102K
L38	Coil	FL5H 102K
L39	Coil	FL5H 102K
L40	Coil	FL5H 102K
L41	Coil	LR-130
L42	Coil	LR-129
L43	Coil	FL5H 102K

RF UNIT

REF. NO.	DESCRIPTION	PART NO.
L44	Coil	LB4 R34
L45	Coil	LB4 R36
L46	Coil	LB4 R30
L47	Coil	LB4 R36
L48	Coil	FL5H 101K
L49	Coil	LB4 R45
L50	Coil	LB4 R50
L51	Coil	LB4 R50
L52	Coil	LB4 R54
L53	Coil	FL5H 101K
L54	Coil	LB4 R54
L55	Coil	LB4 R65
L56	Coil	LB4 R65
L57	Coil	LB4 R83
L58	Coil	FL5H 101K
L59	Coil	LB4 R70
L60	Coil	LB4 R83
L61	Coil	EL0810SKI 1R0K
L62	Coil	EL0810SKI 1R0K
L63	Coil	FL5H 101K
L64	Coil	EL0810SKI 1R0K
L65	Coil	EL0810SKI 1R2K
L66	Coil	EL0810SKI 1R2K
L67	Coil	EL0810SKI 1R2K
L68	Coil	FL5H 101K
L69	Coil	EL0810SKI 1R5K
L70	Coil	EL0810SKI 1R5K
L71	Coil	EL0810SKI 1R8K
L72	Coil	EL0810SKI 1R8K
L73	Coil	FL5H 101K
L74	Coil	EL0810SKI 1R8K
L75	Coil	EL0810SKI 1R8K
L76	Coil	EL0810SKI 2R2K
L77	Coil	EL0810SKI 2R7K
L78	Coil	FL5H 101K
L79	Coil	EL0810SKI 2R7K
L80	Coil	EL0810SKI 3R3K
L81	Coil	EL0810SKI 3R3K
L82	Coil	LB4 4R3
L83	Coil	FL5H 102K
L84	Coil	LB4 3R6
L85	Coil	LB4 4R3
L86	Coil	LB4 5R1
L87	Coil	LB4 6R2
L88	Coil	FL5H 102K
L89	Coil	FL5H 102K
L90	Coil	LB4 6R2
L91	Coil	LB4 5R1
L92	Coil	FL5H 102K
L93	Coil	EL0810SKI 220K
L94	Coil	EL0810SKI 220K
L95	Coil	S4 102K
L96	Coil	LR-20
L97	Coil	FL5H 102K
L98	Coil	FL5H 101K
L99	Coil	FL5H 102K
L100	Coil	FL5H 102K
L101	Coil	EL0810SKI 4R7K
L102	Coil	EL0810SKI 3R3K
L103	Coil	S4 102K
L104	Coil	BT01RN1-A61
L105	Coil	BT01RN1-A61

RF UNIT

REF. NO.	DESCRIPTION	PART NO.
L106	Coil	LAL03NA 100K
L107	Coil	LAL03NA 100K
R1	Resistor	2.2 ELR20
R2	Resistor	10k R20
R3	Resistor	10k ELR25
R4	Resistor	10k ELR25
R5	Resistor	10k ELR25
R6	Resistor	10k ELR25
R7	Resistor	10k ELR25
R8	Resistor	10k R25
R9	Resistor	33k ELR25
R10	Resistor	33k ELR25
R11	Resistor	10k ELR20
R12	Resistor	10k R25
R13	Resistor	2.2 ELR20
R14	Array	RMX-6 10k
R15	Resistor	470 ELR25
R16	Resistor	680 ELR25
R17	Resistor	8.2k ELR25
R18	Resistor	560 ELR25
R19	Resistor	100 ELR25
R20	Resistor	1k ELR25
R21	Resistor	33 ELR25
R22	Resistor	220 ELR25
R23	Resistor	100 ELR25
R24	Trimmer	RHB0CJ30EA 2.2k
R25	Resistor	330 ELR25
R26	Resistor	22k ELR25
R27	Resistor	47 ELR25
R28	Resistor	47 ELR25
R29	Resistor	10k ELR20
R30	Resistor	100 ELR25
R31	Resistor	390 ELR25
R32	Resistor	47 ELR25
R33	Resistor	10k ELR25
R34	Resistor	12k ELR25
R35	Resistor	220 ELR25
R36	Resistor	2.2k ELR25
R37	Resistor	22 ELR25
R38	Resistor	22 ELR25
R39	Resistor	100 R25
R40	Resistor	100 ELR25
R41	Resistor	100 ELR25
R42	Resistor	3.9k R20
R43	Resistor	56 ELR20
R44	Resistor	470k ELR25
R45	Resistor	47 R25
R46	Resistor	560 R20
R47	Resistor	560 R20
R48	Resistor	220 R25
R49	Resistor	150 ELR20
R50	Resistor	8.2 R20
R51	Resistor	8.2 R20
R52	Resistor	150 R20
R53	Resistor	2.2k ELR25
R54	Resistor	100 ELR20
R55	Resistor	100k ELR25
R56	Resistor	10k ELR25
R57	Resistor	820 ELR25
R58	Resistor	100 ELR25
R59	Resistor	1.5k R20

RF UNIT

REF. NO.	DESCRIPTION	PART NO.	
R60	Resistor	100	ELR25
R61	Resistor	150	ELR25
R62	Resistor	10k	ELR25
R63	Resistor	68	ELR25
R64	Resistor	68	ELR25
R65	Resistor	47	ELR25
R66	Resistor	100	ELR25
R67	Resistor	100	ELR20
R68	Resistor	100	ELR25
R69	Resistor	100	R25
R70	Resistor	100	R25
R71	Resistor	100	R25
R72	Resistor	100	R25
R73	Resistor	100	R25
R74	Resistor	100	R25
R75	Resistor	100	R25
R76	Resistor	100	R25
R77	Resistor	100	R25
R78	Resistor	100	R25
R79	Resistor	470	ELR25
R80	Resistor	82	ELR25
R81	Resistor	680	ELR25
R82	Resistor	4.7k	ELR25
R83	Resistor	100	ELR25
R84	Resistor	220	ELR20
R85	Resistor	4.7	ELR25
R86	Resistor	1	ELR25
R87	Resistor	10k	ELR25
R88	Resistor	220	ELR25
R89	Resistor	2.2k	ELR25
R90	Resistor	4.7k	ELR25
R91	Resistor	470	ELR25
R92	Resistor	56	ELR25
R93	Resistor	470	ELR20
R94	Resistor	8.2k	ELR20
R95	Resistor	2.2k	ELR25
R96	Resistor	4.7k	ELR20
R97	Resistor	470	R20
R100	Resistor	390	ELR20
R101	Resistor	4.7k	ELR25
R102	Resistor	4.7k	R25
R104	Resistor	82	ELR25
R105	Resistor	2.2k	R25
R106	Resistor	2.2k	ELR25
R108	Resistor	27	R25
R109	Resistor	33	ELR25
R110	Resistor	27	ELR25
R111	Resistor	820	ELR20
R112	Resistor	1k	ELR20
R113	Resistor	100	R25
R114	Resistor	2.2k	ELR25
R115	Resistor	47k	ELR25
R116	Resistor	680k	ELR25
R117	Resistor	10k	R25
R118	Resistor	15k	ELR20
R119	Resistor	15k	ELR25
R120	Resistor	2.2k	R20
R121	Resistor	3.3k	ELR20
R122	Resistor	1k	R25
R123	Thermistor	23D29	
R124	Resistor	10k	ELR25
R125	Trimmer	RHM0AS304A	4.7k

RF UNIT

REF. NO.	DESCRIPTION	PART NO.	
C1	Array	B8ZC0111-32N	0.0082x7
C2	Array	B8ZC0111-32N	0.0082x7
C3	Barrier Layer	0.047	25V
C6	Array	B8ZC0111-32N	0.0082x7
C7	Array	B8ZC0111-32N	0.0082x7
C11	Ceramic	39P	50V
C12	Ceramic	39P	50V
C13	Ceramic	220P	50V
C14	Ceramic	0.001	50V
C15	Barrier Layer	0.047	25V
C16	Electrolytic	2.2	50V MS7
C17	Ceramic	0.001	50V
C18	Ceramic	8P	50V
C19	Ceramic	5P	50V
C20	Ceramic	15P	50V
C21	Ceramic	1P	50V
C22	Ceramic	10P	50V
C23	Barrier Layer	0.047	25V
C24	Barrier Layer	0.1	16V
C25	Barrier Layer	0.1	16V
C26	Barrier Layer	0.047	25V
C27	Barrier Layer	0.047	25V
C28	Barrier Layer	0.047	25V
C29	Barrier Layer	0.047	25V
C30	Electrolytic	0.47	50V MS7
C31	Barrier Layer	0.047	25V
C32	Ceramic	220P	50V
C33	Barrier Layer	0.047	25V
C34	Barrier Layer	0.047	25V
C35	Barrier Layer	0.047	25V
C36	Barrier Layer	0.047	25V
C37	Barrier Layer	0.047	25V
C38	Barrier Layer	0.047	25V
C39	Barrier Layer	0.047	25V
C40	Barrier Layer	0.047	25V
C41	Ceramic	2P	50V
C42	Ceramic	6P	50V
C43	Ceramic	0.0047	50V
C44	Ceramic	0.0047	50V
C45	Mylar	0.022	50V
C47	Ceramic	0.001	50V
C48	Ceramic	3P	50V
C49	Ceramic	10P	50V
C50	Ceramic	8P	50V
C51	Barrier Layer	0.1	16V
C52	Ceramic	8P	50V
C54	Barrier Layer	0.047	25V
C55	Electrolytic	1	50V
C56	Ceramic	82P	50V
C57	Ceramic	150P	50V
C58	Ceramic	10P	50V
C59	Ceramic	30P	50V
C61	Barrier Layer	RAU08SA	821K 50V 820P
C62	Barrier Layer	RAU08SA	821K 50V 820P
C63	Ceramic	0.0047	50V
C64	Ceramic	27P	50V
C65	Ceramic	82P	50V
C66	Ceramic	24P	50V
C67	Ceramic	24P	50V
C68	Ceramic	39P	50V
C69	Ceramic	0.0047	50V
C70	Ceramic	6P	50V

RF UNIT

REF. NO.	DESCRIPTION	PART NO.
C71	Barrier Layer	0.1 16V
C72	Ceramic	0.001 50V
C73	Ceramic	0.0047 50V
C74	Ceramic	0.0047 50V
C75	Ceramic	0.0047 50V
C76	Ceramic	8P 50V UJ
C77	Ceramic	15P 50V
C78	Ceramic	3P 50V
C79	Barrier Layer	0.047 25V
C80	Barrier Layer	0.047 25V
C81	Barrier Layer	0.047 25V
C82	Barrier Layer	0.047 25V
C84	Barrier Layer	0.047 25V
C85	Ceramic	100P 50V
C86	Barrier Layer	RAU08SA 821K 50V 820P
C87	Ceramic	270P 50V
C88	Ceramic	68P 50V
C89	Ceramic	56P 50V
C90	Ceramic	120P 50V
C91	Ceramic	30P 50V
C92	Barrier Layer	0.047 25V
C93	Barrier Layer	0.047 25V
C94	Ceramic	150P 50V
C95	Barrier Layer	UAT04V 122K 50V 0.0012
C96	Ceramic	300P 50V
C97	Ceramic	100P 50V
C98	Ceramic	24P 50V
C99	Ceramic	220P 50V
C100	Barrier Layer	0.047 25V
C101	Barrier Layer	0.047 25V
C102	Ceramic	200P 50V
C103	Barrier Layer	UAT04V 182K 50V 0.0018
C104	Ceramic	300P 50V
C105	Ceramic	270P 50V
C106	Ceramic	39P 50V
C107	Ceramic	390P 50V
C108	Barrier Layer	0.047 25V
C109	Barrier Layer	0.047 25V
C110	Ceramic	300P 50V
C111	Barrier Layer	UAT04V 222K 50V 0.0022
C112	Ceramic	330P 50V
C113	Ceramic	150P 50V
C114	Ceramic	51P 50V
C115	Ceramic	390P 50V
C116	Barrier Layer	0.047 25V
C117	Barrier Layer	0.047 25V
C118	Ceramic	390P 50V
C119	Barrier Layer	UAT05V 272K 50V 0.0027
C120	Ceramic	DD109SL471J50V02 470P
C121	Ceramic	DD109SL511J50V02 510P
C122	Ceramic	75P 50V
C123	Barrier Layer	RAU06SA 561K 50V 560P
C124	Barrier Layer	0.047 25V
C125	Barrier Layer	0.047 25V
C126	Barrier Layer	RAU06SA 561K 50V 560P
C127	Barrier Layer	UAT06V 562K 50V 0.0056
C128	Barrier Layer	UAT04V 102K 50V 0.001
C129	Barrier Layer	RAU08SA 681K 50V 680P
C130	Ceramic	82P 50V
C131	Barrier Layer	RAU08SA 681K 50V 680P
C132	Barrier Layer	0.047 25V
C133	Barrier Layer	0.047 25V

RF UNIT

REF. NO.	DESCRIPTION	PART NO.
C134	Barrier Layer	UAT04V 102K 50V 0.001
C135	Barrier Layer	UAT06V 682K 50V 0.0068
C136	Barrier Layer	UAT04V 122K 50V 0.0012
C137	Barrier Layer	UAT04V 102K 50V 0.001
C138	Ceramic	150P 50V
C139	Barrier Layer	UAT04V 152K 50V 0.0015
C140	Barrier Layer	0.047 25V
C141	Barrier Layer	0.047 25V
C142	Barrier Layer	UAT04V 122K 50V 0.0012
C143	Barrier Layer	UAT06V 103K 50V 0.01
C144	Barrier Layer	UAT04V 182K 50V 0.0018
C145	Barrier Layer	UAT04V 152K 50V 0.0015
C146	Ceramic	200P 50V
C147	Barrier Layer	UAT04V 152K 50V 0.0015
C148	Barrier Layer	0.047 25V
C149	Barrier Layer	0.047 25V
C150	Barrier Layer	UAT04V 152K 50V 0.0015
C151	Barrier Layer	UAT06V 123K 50V 0.012
C152	Barrier Layer	UAT04V 222K 50V 0.0022
C153	Barrier Layer	UAT04V 222K 50V 0.0022
C154	Ceramic	270P 50V
C155	Barrier Layer	UAT04V 222K 50V 0.0022
C156	Barrier Layer	0.047 25V
C157	Barrier Layer	0.1 16V
C158	Barrier Layer	0.047 25V
C159	Barrier Layer	UAT05V 332K 50V 0.0033
C160	Ceramic	390P 50V
C161	Barrier Layer	UAT05V 332K 50V 0.0033
C162	Electrolytic	1 50V BP
C163	Barrier Layer	0.1 16V
C164	Barrier Layer	UAT06V 682K 50V 0.0068
C165	Barrier Layer	UAT04V 102K 50V 0.001
C166	Barrier Layer	UAT06V 822K 50V 0.0082
C167	Barrier Layer	0.1 16V
C168	Electrolytic	10 16V
C169	Barrier Layer	0.047 25V
C170	Barrier Layer	0.047 25V
C171	Barrier Layer	UAT04V 152K 50V 0.0015
C172	Barrier Layer	0.1 16V
C173	Barrier Layer	0.047 25V
C174	Barrier Layer	0.047 25V
C175	Barrier Layer	0.047 25V
C176	Barrier Layer	0.047 25V
C177	Barrier Layer	0.047 25V
C178	Barrier Layer	0.1 16V
C179	Barrier Layer	0.1 16V
C180	Barrier Layer	UAT04V 182K 50V 0.0018
C181	Barrier Layer	UAT04V 152K 50V 0.0015
C182	Barrier Layer	UAT05V 472K 50V 0.0047
C183	Barrier Layer	0.1 16V
C184	Barrier Layer	0.1 16V
C185	Barrier Layer	0.047 25V
C186	Barrier Layer	0.047 25V
C187	Tantalum	3.3 16V
C188	Barrier Layer	0.047 25V
C189	Barrier Layer	0.1 16V
C190	Barrier Layer	0.1 16V
C191	Ceramic	0.001 50V
C192	Ceramic	0.0047 50V
C193	Ceramic	0.0047 50V
C195	Ceramic	0.0047 50V
C196	Barrier Layer	0.1 16V

RF UNIT

REF. NO.	DESCRIPTION	PART NO.
C198	Ceramic	0.001 50V
C199	Ceramic	0.001 50V
C202	Ceramic	5P 50V
C203	Ceramic	0.0047 50V
C204	Tantalum	4.7 16V
C205	Barrier Layer	0.1 16V
C206	Ceramic	0.001 50V
RL1	Relay	FBR21D12-P
J1	Connector	TL25P-06-V1
J2	Connector	TL25P-05-V1
J3	Connector	TL25P-07-V1
J4	Connector	TL25P-02-V1
J5	Connector	TL25P-05-V1
J6	Connector	TL25P-02-V1
J8	Connector	TMP-J01X-A2
J9	Connector	TL25P-02-V1
J10	Connector	TMP-J01X-A2
J11	Connector	TLB-P06H-B1
J12	Connector	TLB-P05H-B1
J13	Connector	TLB-P02H-B1
J14	Connector	TLB-P02H-B1
P1	Connector	TMP-P01X-A1
P2	Connector	TMP-P01X-A1
P3	Connector	TMP-P01X-A1
EP1	P.C. Board	B-701E
EP8	Ferrite Bead	FSQH070RN
EP9	Ferrite Bead	FSQH070RN
EP11	Ferrite Bead	FSQH070RN
W1	Jumper	23/01/190/C22/D21
W2	Jumper	23/02/130/C22/D21
W3	Jumper	23/03/100/C22/D21
W4	Jumper	23/04/150/C22/D21
W5	Jumper	23/05/095/C22/D21
W6	Jumper	23/06/175/D21/D21
W7	Jumper	23/07/210/D21/D21
W8	Jumper	23/01/075/C22/D21
W9	Jumper	23/02/075/C22/D21
W10	Jumper	23/03/085/C22/D21
W11	Jumper	23/04/085/C22/D21
W12	Jumper	23/05/060/C22/D21
W13	Jumper	23/06/100/C22/D21
W14	Jumper	23/02/155/D21/D21
W15	Jumper	23/01/155/D21/D21
W16	Jumper	23/09/090/C22/C22
W17	Jumper	23/08/090/C22/C22
W18	Jumper	[61/99/190/W13A/W13A]
W19	Jumper	[08 A A]
W20	Jumper	[62/99/310/C31/W13D]
W21	Jumper	[08 C31 D]
W22	Jumper	[62/99/205/C31/W13D]
W23	Jumper	[08 C31 D]
W24	Jumper	JPW-02H
W25	Jumper	JPW-02H
W26	Jumper	JPW-02H
W27	Jumper	JPW-02H
W28	Jumper	IPS-1041-4
W29	Jumper	JPW-02A
W30	Jumper	IPS-1041-4

RF UNIT/FILTER UNIT

REF. NO.	DESCRIPTION	PART NO.
W34	Jumper	IPS-1041-4
W35	Jumper	IPS-1041-4
W36	Jumper	IPS-1041-4
W37	Jumper	IPS-1041-4
W38	Jumper	IPS-1041-4
W39	Jumper	IPS-1041-4
W40	Jumper	JPW-02A
W42	Jumper	JPW-02A
W44	Jumper	IPS-1041-4
W45	Jumper	IPS-1041-4
W46	Jumper	IPS-1041-4
W47	Jumper	IPS-1041-4
W48	Jumper	[62/99/190/C31/W13D]
W49	Jumper	[08 D]
W52	Jumper	23/07/080/D21/D21
W53	Jumper	74/99/010/X98/X98
W54	Jumper	JPW-02A
W56	Jumper	74/99/010/X98/X98

10 - 9 FILTER UNIT

REF. NO.	DESCRIPTION	PART NO.
D1	Diode	1K60
D2	Diode	1K60
D3	Diode	1N4002
D4	Diode	1N4002
D5	Diode	1N4002
D6	Diode	1N4002
D7	Diode	1N4002
D8	Diode	1N4002
D9	Diode	1N4002
L2	Coil	LR-137
L3	Coil	LR-137
L5	Coil	LR-138
L6	Coil	LR-139
L7	Coil	LR-140
L8	Coil	LR-141
L9	Coil	LR-141
L10	Coil	LR-90
L11	Coil	LR-91
L12	Coil	LR-53
L13	Coil	LR-54
L14	Coil	LA-166
L15	Coil	LA-165
L16	Coil	LA-168
L17	Coil	LA-167
L18	Coil	LR-22A
L19	Coil	L6 222
L20	Coil	FL5H 101K
L21	coil	FL5H 101K
L22	Coil	FL5H 101K
L23	Coil	FL5H 101K
L24	Coil	FL5H 101K
L25	Coil	FL5H 101K
L26	Coil	FL5H 101K
L27	Coil	FL5H 101K
L28	Coil	FL4H 100K
L29	Coil	FL4H 100K
L30	Coil	FL4H 100K

FILTER UNIT

REF. NO.	DESCRIPTION	PART NO.
L31	Coil	FL4H 100K
L32	Coil	FL4H 100K
L33	Coil	FL4H 100K
L34	Coil	LA-256
R1	Resistor	68 R50X
R2	Resistor	5.6K R25
R3	Resistor	5.6K R25
R4	Resistor	56K ELR25
R5	Resistor	56K ELR25
R6	Resistor	120 R25
C1	Dip Mica	DM20C152J51CR 0.0015
C2	Dip Mica	DM19C471J51CR 470P
C3	Dip Mica	DM20C272J51CR 0.0027
C4	Ceramic	220P 500V
C5	Dip Mica	DM20C152J51CR 0.0015
C6	Dip Mica	DM19C561J51CR 560P
C7	Ceramic	220P 500V
C8	Dip Mica	DM20C122J51CR 0.0012
C9	Ceramic	68P 500V
C10	Dip Mica	DM19C681J51CR 680P
C11	Dip Mica	DM19C471J51CR 470P
C12	Ceramic	120P 500V
C13	Dip Mica	DM19C561J51CR 560P
C14	Ceramic	68P 500V
C15	Ceramic	270P 500V
C16	Ceramic	220P 500V
C17	Ceramic	27P 500V
C18	Dip Mica	DM19C471J51CR 470P
C19	Ceramic	68P 500V
C20	Ceramic	220P 500V
C21	Ceramic	180P 500V
C22	Ceramic	18P 500V
C23	Ceramic	330P 500V
C24	Ceramic	56P 500V
C25	Ceramic	180P 500V
C26	Ceramic	68P 500V
C27	Ceramic	10P 500V
C28	Ceramic	220P 500V
C29	Ceramic	47P 500V
C30	Ceramic	100P 500V
C31	Ceramic	68P 500V
C32	Ceramic	10P 500V
C33	Ceramic	180P 500V
C34	Ceramic	33P 500V
C35	Ceramic	68P 500V
C36	Trimmer	ECV-1ZW20x40
C37	Ceramic	150P 50V
C38	Ceramic	0.001 50V
C39	Ceramic	0.001 50V
C40	Ceramic	82P 500V
C42	Barrier Layer	0.047 25V
C43	Barrier Layer	0.047 25V
C44	Barrier Layer	0.047 25V
C45	Barrier Layer	0.047 25V
C46	Barrier Layer	0.047 25V
C47	Barrier Layer	0.047 25V
C48	Barrier Layer	0.047 25V
C49	Barrier Layer	0.047 25V
C50	Ceramic	0.0047 50V

FILTER UNIT

REF. NO.	DESCRIPTION	PART NO.
C51	Ceramic	0.0047 50V
C52	Ceramic	0.0047 50V
C53	Ceramic	0.0047 50V
C54	Ceramic	0.0047 50V
C55	Ceramic	0.0047 50V
RL1	Relay	FBR313D012-22
RL2	Relay	FBR313D012-22
RL3	Relay	FBR313D012-22
RL4	Relay	FBR313D012-22
RL5	Relay	FBR313D012-22
RL6	Relay	FBR313D012-22
RL7	Relay	FBR313D012-22
RL8	Relay	FBR313D012-22
RL9	Relay	FBR313D012-22
RL10	Relay	FBR313D012-22
RL11	Relay	FBR313D012-22
RL12	Relay	FBR313D012-22
RL13	Relay	FBR313D012-22
RL14	Relay	FBR313D012-22
J1	Connector	TMP-J01X-V2
J2	Connector	TL25P-02-V1
P1	Connector	TL25H-07-B1
P2	Connector	TMP-P01X-A1
EP1	P.C. Board	B-703D
W1	Jumper	23/01/150/C01/D21
W2	Jumper	23/02/240/C01/D21
W3	Jumper	23/03/190/C01/D21
W4	Jumper	23/04/260/C01/D21
W5	Jumper	23/05/280/C01/D21
W6	Jumper	23/06/300/C01/D21
W7	Jumper	23/07/330/C01/D21
W8	Jumper	[62/99/110/C31/W13D 08 C31 D]
W9	Jumper	
W10	Jumper	JPW-02A
W11	Jumper	JPW-02A
W12	Jumper	JPW-02A
W13	Jumper	JPW-02A
W14	Jumper	JPW-02A
W15	Jumper	JPW-02A
W16	Jumper	JPW-02A
W17	Jumper	JPW-02A
W18	Jumper	JPW-02A
W19	Jumper	JPW-02A
W20	Jumper	JPW-02A
W21	Jumper	JPW-02A
W22	Jumper	JPW-02A
W23	Jumper	JPW-02A
W24	Jumper	JPW-02A
W25	Jumper	JPW-02A
W26	Jumper	JPW-02A
W27	Jumper	JPW-02A
W28	Jumper	JPW-02A
W29	Jumper	JPW-02A
W30	Jumper	JPW-02A
W31	Jumper	JPW-02A
W32	Jumper	JPW-02A
W33	Jumper	74/98/040/X98/X98
W34	Jumper	JPW-02A

FILTER UNIT/PA UNIT

REF. NO.	DESCRIPTION	PART NO.
W35	Jumper	JPW-02A
W36	Jumper	JPW-02H
W37	Jumper	74/98/050/X98/X98
W38	Jumper	74/98/050/X98/X98
W39	Jumper	JPW-02A
W40	Jumper	73/98/040/X98/X98
W41	Jumper	73/98/040/X98/X98

10 - 10 PA UNIT

REF. NO.	DESCRIPTION	PART NO.
Q1	Transistor	2SC1971
Q2	Transistor	2SC3133
Q3	Transistor	2SC3133
Q4	Transistor	2SC2904
Q5	Transistor	2SC2904
Q6	Transistor	2SD880-Y
Q7	Transistor	2SC2120
Q8	Transistor	2SD468-C
Q9	Transistor	2SB562-C
Q10	Transistor	2SC2458-GR
Q11	Transistor	2SC3402
D1	Diode	MV5
D2	Diode	MV5
D3	Diode	1N4002
D4	Diode	U05G
D5	Diode	1SS53
D7	Diode	1SS53
D8	Diode	15CD11
D9	Diode	MV5
L1	Coil	LR-142
L2	Coil	FL4H 1R2M
L3	Coil	FL4H 1R2M
L4	Coil	LR-143
L5	Coil	FSQH050RN
L6	Coil	BT01RN1-A61
L7	Coil	FSQH050RN
L8	Coil	BT01RN1-A61
L9	Coil	LR-83
L10	Coil	LR-144
L11	Coil	LR-146
L12	Coil	FL5H 101K
L13	Coil	FSQH050RN
L14	Coil	BT01RN1-A61
L15	Coil	FSQH050RN
L16	Coil	BT01RN1-A61
L17	Coil	FSQH050RN
L19	Coil	FL5H 101K
L20	Coil	FL7H 102J
L21	Coil	FL7H 102J
L22	Coil	LR-151
L23	Coil	BT01RN1-A61
L24	Coil	BT01RN1-A61
L25	Coil	BT01RN1-A61
L26	Coil	BT01RN1-A61

PA UNIT

REF. NO.	DESCRIPTION	PART NO.
L27	Coil	BT01RN1-A61
L28	Coil	BT01RN1-A61
L29	Coil	BT01RN1-A61
L30	Coil	BT01RN1-A61
L31	Coil	BT01RN1-A61
L32	Coil	BT01RN1-A61
L33	Coil	BT01RN1-A61
L34	Coil	BT01RN1-A61
L35	Coil	BT01RN1-A61
L36	Coil	BT01RN1-A61
L37	Coil	BT01RN1-A61
L38	Coil	LAL04NA 102K
L39	Coil	LAL04NA 101K
L40	Coil	LW-22
L41	Coil	LAL04NA 101K
L42	Coil	BT01RN1-A61
L43	Coil	LAL04NA 100K
L44	Coil	LAL04NA 100K
R1	Resistor	220 R25
R2	Resistor	100 R25
R3	Resistor	470 R25
R4	Resistor	2.2 R25
R5	Resistor	4.7 R25
R6	Resistor	68 ELR25
R7	Resistor	22 ELR25
R8	Resistor	22 ELR25
R9	Resistor	68 ELR25
R10	Resistor	RSS1P3.3-J
R11	Resistor	RSS1P3.3-J
R12	Resistor	RSS1P3.3-J
R13	Resistor	RSS1P3.3-J
R14	Resistor	10 R50X
R15	Resistor	10 R50X
R16	Resistor	RSS1P3.3-J
R17	Resistor	RSS1P3.3-J
R18	Resistor	33k R25
R19	Resistor	1k R25
R20	Resistor	SQ5L0.012-J
R21	Resistor	1k R25
R22	Resistor	CRH200R-02J4R7 4.7
R23	Trimmer	RHB0CS21LA 470B
R24	Resistor	100 R50X
R25	Resistor	SRW1P0.1-J
R27	Trimmer	RHB0C1204A 100B
R28	Resistor	68 R50X
R29	Resistor	10 ELR25
R30	Resistor	1.8 ELR25
R31	Resistor	22 ELR25
R32	Resistor	100 R50X
R33	Resistor	2.2k ELR25
R34	Resistor	120 R50X
R35	Resistor	SRW3P60-J
R36	Resistor	4.7k ELR25
R37	Resistor	10k ELR20
R38	Resistor	1k ELR25
R39	Resistor	1k ELR25
R40	Resistor	4.7 ELR25
R41	Resistor	10k R20
R43	Resistor	47 ELR25

PA UNIT

REF. NO.	DESCRIPTION	PART NO.
R45	Absorber	DSA301LA
R46	Resistor	RSF1B220-J
R47	Resistor	330 ELR20
R48	Resistor	10 R50X
R49	Resistor	RSF2B15-J
C1	Ceramic	0.0022 50V
C2	Barrier Layer	UAT04V 122K 50V 0.0012
C3	Barrier Layer	0.1 16V
C4	Mylar	0.01 50V
C5	Mylar	0.01 50V
C6	Cylinder	100P 50V
C7	Monolithic	GR43CH471K 50V 470P
C8	Monolithic	GR44CH682K 50V 0.0068
C9	Monolithic	GR44CH682K 50V 0.0068
C10	Barrier Layer	560P 50V
C12	Monolithic	GR43CH471K 50V 470P
C13	Dip Mica	DM19C821J51CR 820P
C14	Monolithic	GR44CH102K 50V 0.001
C16	Ceramic	DD112 F 473Z 50V02
C17	Barrier Layer	0.047 25V
C18	Electrolytic	1000 16V MS16
C19	Monolithic	GR44Y5V684Z 25V 0.68
C20	Barrier Layer	0.047 25V
C21	Electrolytic	47 10V
C22	Electrolytic	10 16V
C23	Barrier Layer	0.047 25V
C24	Barrier Layer	0.047 25V
C25	Electrolytic	470 16V
C26	Barrier Layer	0.047 25V
C27	Electrolytic	10 16V
C28	Barrier Layer	0.1 16V
C29	Ceramic	0.0047 50V
C30	Barrier Layer	0.047 25V
C31	Barrier Layer	0.1 16V
C32	Barrier Layer	0.047 25V
C33	Barrier Layer	0.047 25V
C34	Electrolytic	10 16V
C35	Barrier Layer	0.047 25V
C36	Ceramic	DD112 F 473Z 50V02
C37	Barrier Layer	0.047 25V
C38	Barrier Layer	0.047 25V
C39	Barrier Layer	0.047 25V
C40	Barrier Layer	0.1 16V
C41	Ceramic	120P 50V
C42	Ceramic	20P 50V
C43	Ceramic	120P 50V
C44	Barrier Layer	0.047 25V
C45	Ceramic	220P 50V
C46	Feed Through	TF318-452E102GMV 50V
C47	Feed Through	TF318-452E102GMV 50V
C48	Feed Through	TF318-452E102GMV 50V
C49	Feed Through	TF318-452E102GMV 50V
C50	Barrier Layer	0.047 25V
C51	Barrier Layer	0.047 25V
C52	Barrier Layer	0.1 16V
C53	Ceramic	270P 500V
C54	Ceramic	270P 500V
C56	Tantalum	4.7 16V
C57	Tantalum	4.7 16V
C58	Barrier Layer	0.1 16V
C59	Ceramic	0.001 50V

PA UNIT

REF. NO.	DESCRIPTION	PART NO.
C60	Ceramic	0.001 50V
C61	Array	B8ZC0111-32N 0.0082x7
C62	Ceramic	0.0047 50V
RL1	Relay	UPM-12905Y
RL2	Relay	OMR-109F
J1	Connector	TL25P-12-V1
J2	Connector	TL25P-09-V1
J3	Connector	TL25P-03-V1
J4	Connector	TL25P-04-V1
J5	Connector	TL25P-05-V1
J6	Connector	TL B-P12H-B1
J7	Connector	HLJ4306-01-3080
J8	Connector	HSJ0805-01-020
J9	Connector	1625-24R
J10	Connector	TMP-J01X-V2
J11	Connector	FMMD-RM1
J12	Connector	KC21-0060
J13	Connector	LLR-6
P1	Connector	TMP-P01X-A1
P2	Connector	TMP-P01X-A1
P3	Connector	TL25H-05-B1
P4	Connector	TMP-P01X-A1
P5	Connector	TL25H-02-B1
P6	Connector	TL25H-04-B1
P7	Connector	1545R-1
F1	Fuse	3A
F2	Holder	TFH-S30
S1	Thermal	OHD-90M
S2	Thermal	OHD-50M
MF1	Motor	M6B 12U22
EP1	P.C. Board	B-702D
EP2	P.C. Board	B-720E
EP3	P.C. Board	B-721E
W1	Jumper	[62/99/280/C31/W13D]
W2	Jumper	[08 D]
W3	Jumper	[62/99/240/C31/W13D]
W4	Jumper	[08 D]
W5	Jumper	23/05/420/C01/D21
W6	Jumper	23/06/420/C01/D21
W7	Jumper	23/07/420/C01/D21
W8	Jumper	23/08/420/C01/D21
W9	Jumper	23/09/420/C01/D21
W10	Jumper	36/02/460/W03/W03
W11	Jumper	36/00/360/W03/W03
W12	Jumper	31/02/070/W07/W07
W13	Jumper	23/03/075/D21/W02
W14	Jumper	23/04/100/D21/W02
W15	Jumper	JPW-02A
W16	Jumper	JPW-02A
W17	Jumper	JPW-02A
W18	Jumper	JPW-02A
W19	Jumper	JPW-02A
W21	Jumper	JPW-02A
W22	Jumper	JPW-02A

PA UNIT/KEYER UNIT

REF. NO.	DESCRIPTION	PART NO.
W23	Jumper	72/98/010/X98/X98
W24	Jumper	72/98/010/X98/X98
W25	Jumper	72/98/010/X98/X98
W26	Jumper	72/98/010/X98/X98
W27	Jumper	72/98/010/x98/X98
W28	Jumper	72/98/010/X98/X98
W29	Jumper	72/98/010/X98/X98
W30	Jumper	72/98/010/X98/X98
W31	Jumper	72/98/010/X98/X98
W32	Jumper	72/98/010/X98/X98
W33	Jumper	72/98/010/X98/X98
W34	Jumper	72/98/010/X98/X98
W35	Jumper	73/98/070/X98/X98
W36	Jumper	[61/99/400/C31/W13A]
W37	Jumper	[99 A A]
W38	Jumper	[61/99/490/C01/W13A]
W39	Jumper	[99 A A]
W40	Jumper	23/00/400/C01/D21
W41	Jumper	23/01/450/C01/D21
W42	Jumper	23/02/400/C01/D21
W43	Jumper	23/03/400/C01/D21
W44	Jumper	JPW-02A
W45	Jumper	JPW-02A
W47	Jumper	JPW-02A
W48	Jumper	23/08/090/C22/A04
W49	Jumper	23/09/090/C22/A04
W50	Jumper	23/00/090/C22/A04
W51	Jumper	23/01/090/C22/A04
W52	Jumper	[51/02/090/C22/A04]
W53	Jumper	[08 A A]
W54	Jumper	23/04/090/C22/A04
W55	Jumper	23/05/090/C22/A04
W56	Jumper	23/06/090/C22/A04
W57	Jumper	23/07/090/C22/A04
W58	Jumper	23/08/090/C22/A04
W59	Jumper	23/09/090/C22/A04
W60	Jumper	31/02/130/D21/W02
W62	Jumper	JPW-02A
W66	Jumper	35/02/055/B03/W04
W67	Jumper	35/02/055/B03/W04
W68	Jumper	35/00/040/B03/W04
W69	Jumper	35/00/040/B03/W04
W70	Jumper	13/02/420/B03/A08
W71	Jumper	13/00/420/B03/A08
W72	Jumper	13/02/170/W02/X99
W73	Jumper	JPW-02A
W74	Jumper	74/98/020/X98/X98
W75	Jumper	74/98/020/X98/X98

10 - 11 KEYER UNIT

REF. NO.	DESCRIPTION	PART NO.
IC1	IC	μPD7564 CS031
Q1	Transistor	2SC3399
Q2	Transistor	2SB562 C
D1	Zener	RD5.1E B2

KEYER UNIT/MUTE UNIT

REF. NO.	DESCRIPTION	PART NO.
X1	Ceramic Resonator	CSB500E
R1	Resistor	4.7k R20
R2	Resistor	4.7k R20
R3	Resistor	1k R20
R4	Resistor	22k R20
R5	Resistor	560 R20
R6	Resistor	3.3k R20
R7	Resistor	6.8k R20
R8	Trimmer	RHB0CS42BA 47k
R9	Resistor	10k ELR25
R10	Resistor	10k R25
R11	Resistor	150 R25
R12	Resistor	220 R50X
C1	Mylar	0.047 50V
C2	Mylar	0.01 50V
C3	Ceramic	0.0047 50V
C4	Electrolytic	10 16V MS7
C5	Ceramic	100P 50V
C6	Ceramic	100P 50V
C7	Electrolytic	2.2 50V MS7
C8	Ceramic	0.0047 50V
C9	Electrolytic	100 16V
C10	Ceramic	0.0047 50V
J1	Connector	TL25P-03-V1
J2	Connector	TL25P-04-V1
J3	Connector	TL25P-03-V1
J4	Connector	TL25P-03-V1
EP1	P.C.Board	B-1134B
W1	Jumper	IPS-1041-2
W2	Jumper	IPS-1041-2
W3	Jumper	IPS-1041-2
W4	Jumper	IPS-1041-2

10 - 12 MUTE UNIT (AUSTRALIA, FRANCE VERSIONS)

REF. NO.	DESCRIPTION	PART NO.
Q1	Transistor	2SC3395
Q2	Transistor	2SC2412K BS
R1	Chip	47k MCR10
R2	Chip	10k MCR10
R3	Chip	100k MCR10
EP1	P.C.Board	B-1037A
W1	Jumper	JPW-02A
W2	Jumper	JPW-02A
W3	Jumper	71/98/005/X98/X98
W4	Jumper	71/98/005/X98/X98
W5	Jumper	71/98/005/X98/X98

SECTION 11 OPTIONS INSTALLATION

WARNING: Disconnect the power cable from the IC-751A before performing any work.

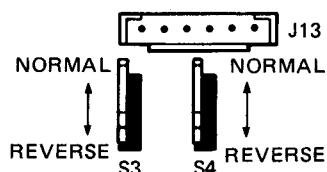
11 - 1 OPTIONAL FILTERS

• FILTER REVERSE SWITCHES

The [FILTER] SWITCH on the front panel of the IC-751A selects two receive filter systems for SSB, CW, RTTY or AM mode when it is switched to either the IN or OUT position. The IN/OUT relationship of the [FILTER] SWITCH may be reversed by using the internal FILTER REVERSE SWITCHES on the MAIN UNIT.

S3: Reverses the IN and OUT positions of the [FILTER] SWITCH when using AM mode.

S4: Reverses the IN and OUT positions of the [FILTER] SWITCH when using CW or RTTY mode.



(1) FL-52A, FL-53A FILTER INSTALLATION

These are 455kHz filters for use with CW NARROW or RTTY NARROW mode.

No special tools are required to successfully complete the installation of these filters. Install them at position [F] in the photo on p.11-5.

- 1) First, remove the top cover.
- 2) Insert the optional FL-52A or FL-53A into position [F] as shown in the photo on p.11-5.
- 3) Check the operation of the filter using the FILTER COMBINATIONS TABLE for a guide (p.11-5).

(2) FL-63A FILTER INSTALLATION

This is a 9MHz narrow filter for CW or RTTY mode. The filter replaces the standard FL-32A which is supplied with the IC-751A. Install this filter at [A] position as shown on p.11-5.

- 1) Remove the transceiver top cover, then the 11 screws from the MAIN UNIT.
- 2) Lift the right edge of the MAIN UNIT upwards taking care not to damage the sockets and plugs that are installed on the unit.

- 3) The filter must be installed at position [A] in the photo as shown on p.11-5.

Remove the FL-32A original filter from the MAIN UNIT using a de-soldering braid.

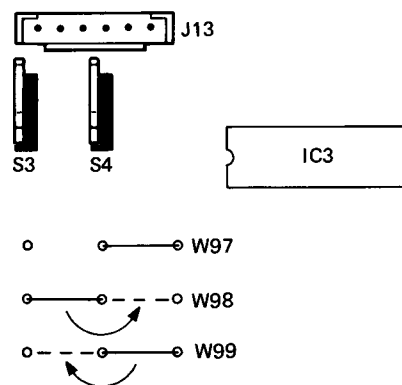
- 4) Install the FL-63A at position [A]. Orient the label on the filter in the same manner as the other filters already installed.

- 5) Bend the leads and mounting tabs flush against the opposite side of the printed circuit board, and solder. Trim the ends of the leads with diagonal cutters.

- 6) Replace the MAIN UNIT and screws, and the top cover.

There are no adjustments required after installation is completed.

(3) FL-70 FILTER INSTALLATION



The FL-70 is a 9MHz wide filter for SSB mode which may be installed for either of the following two reasons:

- a) To replace the standard FL-80.
- b) To replace the standard FL-32A.

- a: Use the FL-63A installation method given previously. Place the FL-70 in the position where the FL-80 is now installed.

- b: 1) Use the FL-63A installation method given previously. Place the FL-70 in the position where the FL-32A is now installed.

- 2) The FL-70 operates only in CW or RTTY mode if it is installed in the FL-32A location.

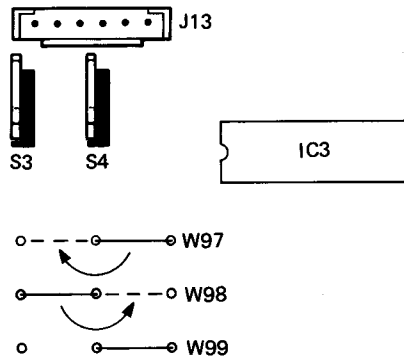
Therefore, perform the following modification so the FL-70 may or may not be used as desired.

- 3) W98 and W99 jumper wires on the MAIN UNIT must be changed as shown in the diagram above.

- 4) The FL-70 and FI14 (CFJ-455K5) can now be selected by pushing the [FILTER] SWITCH on the front panel IN. The receive bandwidth will be 2.8kHz.

FL-80 and FL-44A can be selected by placing the [FILTER] SWITCH in the OUT position. The bandwidth will then be 2.3kHz.

(4) FL-33 INSTALLATION



This is a 9MHz filter for AM mode. FL-33 replaces FL-32A and requires the relocation of jumper wires.

- 1) Use the FL-63A installation method given previously. Install FL-33 where FL-32A is now installed.
- 2) Change the jumper wires as shown in the diagram above.
- 3) This installation causes FL-33 to be selected whether the [FILTER] SWITCH is in the IN or OUT position when using AM mode. Only 455kHz filters will be changed by the [FILTER] SWITCH.

11 - 2 OPTIONAL IC-PS35 INTERNAL POWER SUPPLY

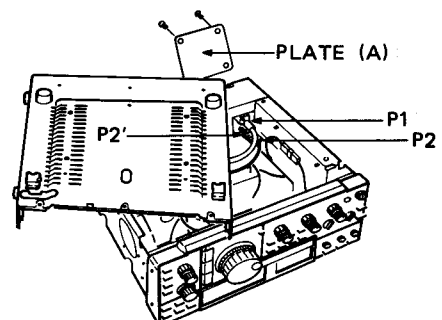
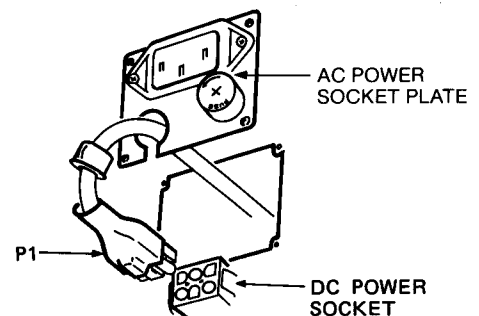
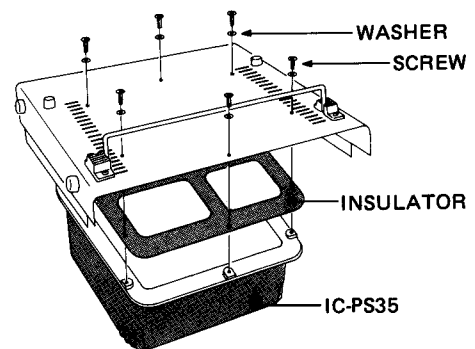
WARNING: Disconnect the power cable from the IC-751A before performing any work.

• INSTALLATION

Refer to diagrams at right.

- 1) Turn the transceiver upside down. Remove PLATE (A) attached to the rear panel by unscrewing the four screws. These screws will be used later.
- 2) Attach the IC-PS35 INTERNAL POWER SUPPLY to the bottom cover with the supplied screws and insulating washers. Also insert the insulating gasket between the IC-PS35 and the bottom cover.
- 3) The IC-PS35 comes with an AC POWER SOCKET PLATE. Pass the DC power cable attached to P1 through the hole on the AC POWER SOCKET PLATE then insert the bushing into the hole. Exchange the AC POWER SOCKET PLATE at the PLATE (A) position using the screws which previously held PLATE (A). The AC POWER SOCKET should be near the bottom of the transceiver.

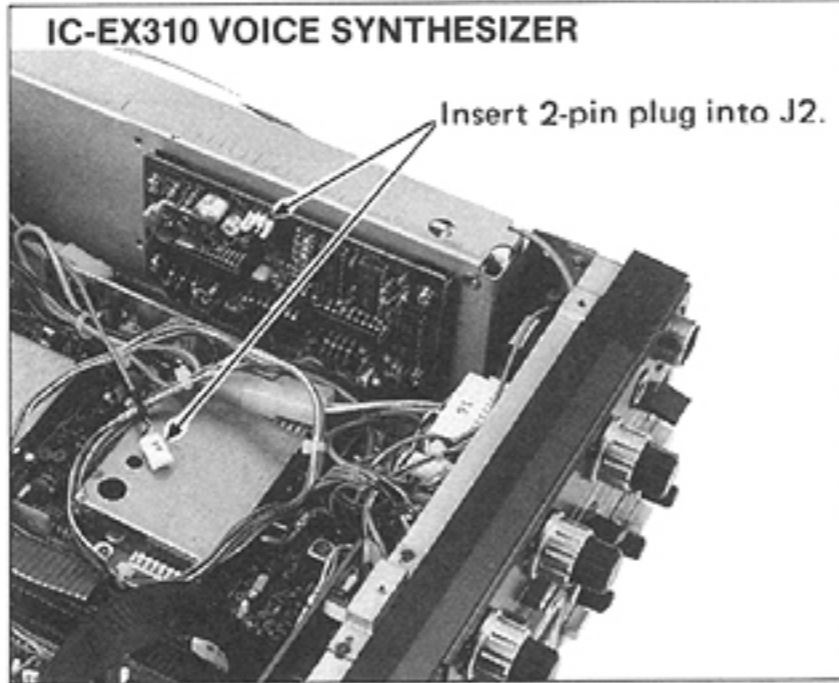
- 4) Pass the P2' connector from the AC POWER SOCKET unit to the inner chassis through the hole in the rear chassis. Connect P2' with the P2 connector from the IC-PS35.
- 5) Position the cables in the rear chassis. This prevents magnetic coupling between the cables and the VCO coil cores.
- 6) Replace the top and bottom covers of the transceiver. Plug P1 from the IC-PS35 into the DC POWER SOCKET on the transceiver.
- 7) Connect the supplied AC power cable into the newly installed AC POWER SOCKET on the rear panel of the IC-751A. Connect the AC power plug into an AC power outlet.
- 8) Push the IC-751A [POWER] SWITCH to apply power to the transceiver.



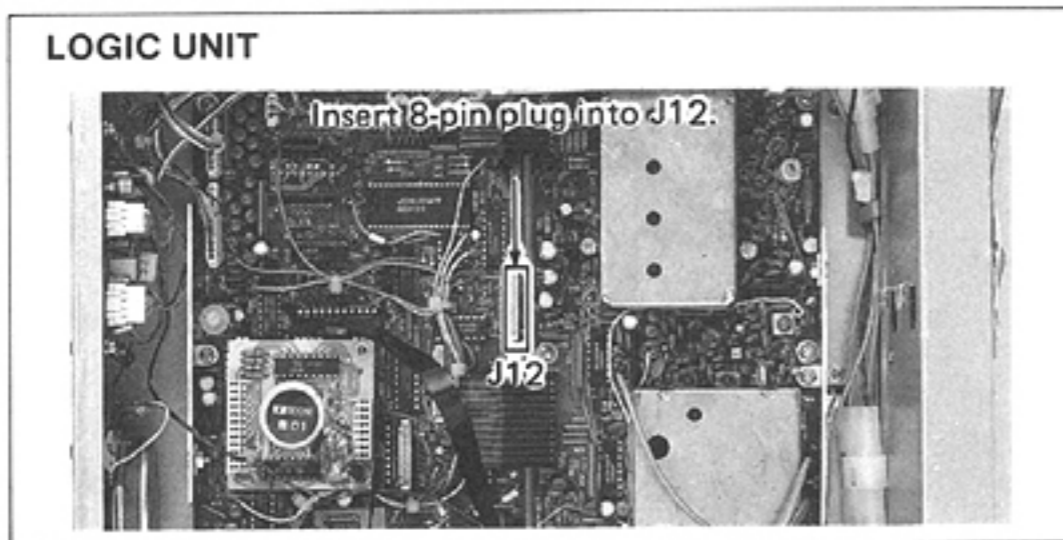
11 - 3 OPTIONAL IC-EX310 VOICE SYNTHESIZER UNIT

After installation the voice synthesizer announces the displayed frequency when the [SPEECH] SWITCH on the front panel is pushed.

• INSTALLATION



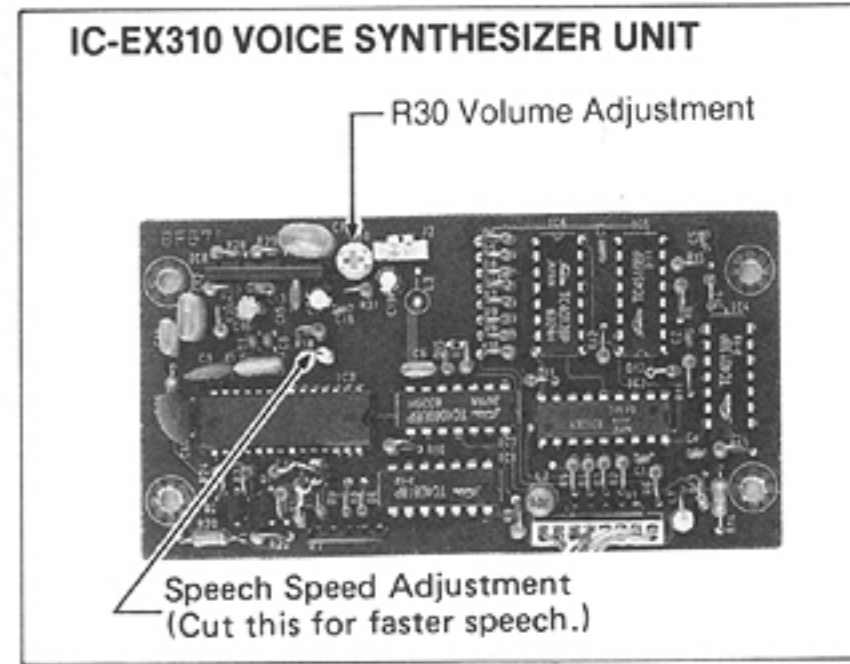
- 1) Turn the transceiver upside down.
- 2) Install the IC-EX310 unit in the position on the chassis as shown in the photo above using the four supplied screws. Insert the 2-pin plug into J2 on the IC-EX310 unit.
- 3) Plug the 8-pin plug from the IC-EX310 unit into J12 on the LOGIC UNIT. See photo below for the position of J12 on the LOGIC UNIT.



- 4) Adjust the volume and speech speed if necessary. The procedure is described below.
- 5) Replace the top and bottom covers on the IC-751A.

• ADJUSTMENT

- 1) Adjust the speech volume and speech speed, if necessary, before the top and bottom covers are replaced.
- 2) Connect a power source to the transceiver and push IN the [POWER] SWITCH. Push the [SPEECH] SWITCH on the front panel to have the displayed frequency announced in English.
- 3) The volume of the announcement is adjustable with R16 on the voice synthesizer unit. Adjust R30 to a comfortable audio level.

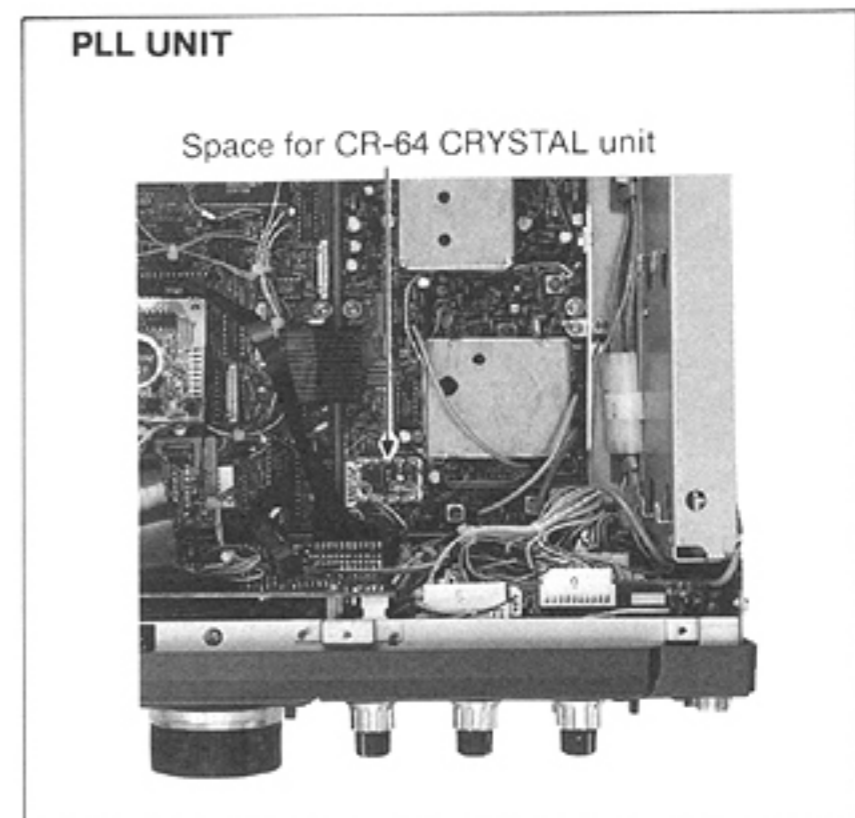


- 4) The W1 jumper wire controls the speech speed. Cut W1 to increase the speech speed.
- 5) Replace the top and bottom covers of the transceiver when adjustments are completed.

11 - 4 OPTIONAL CR-64 HIGH-STABILITY CRYSTAL UNIT

• INSTALLATION

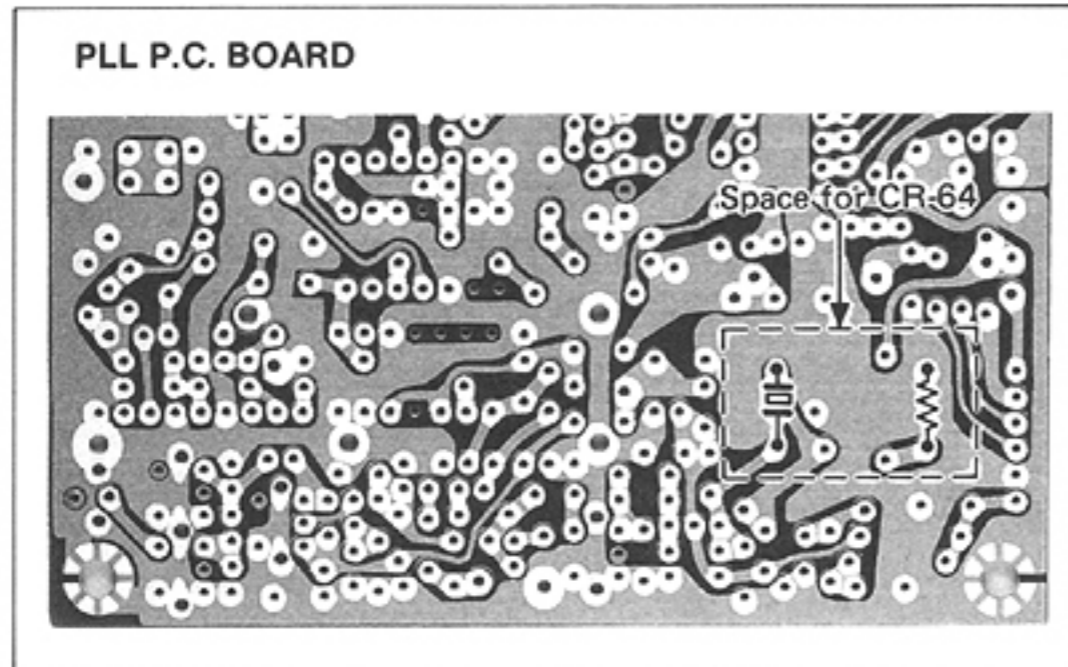
- 1) Turn the transceiver upside down.
- 2) Unscrew the six screws on the PLL UNIT. Unplug all connectors then turn the unit over to view the printed circuit side shown on p.11-5.
- 3) Use a de-soldering braid to remove solder from the original crystal unit terminals and grounding lead. Remove the original crystal unit and grounding lead from the PLL UNIT.
- 4) The mounting location for the high-stability crystal unit is shown in the photo below. The holes for the unit terminals are predrilled. If the holes are filled with solder, remove the solder using a desoldering braid.



- Orient the unit so that the crystal and heater terminals are inserted into the correct holes as indicated in the photo below. The terminals are labelled on the bottom of the unit.

Position the crystal unit flush with the PLL P.C.Board and bend the leads against the foil on the board and solder.

- Trim the terminals even with the solder points.
- Replace the PLL P.C. Board and re-install the connectors. Replace the top and bottom covers of the transceiver.



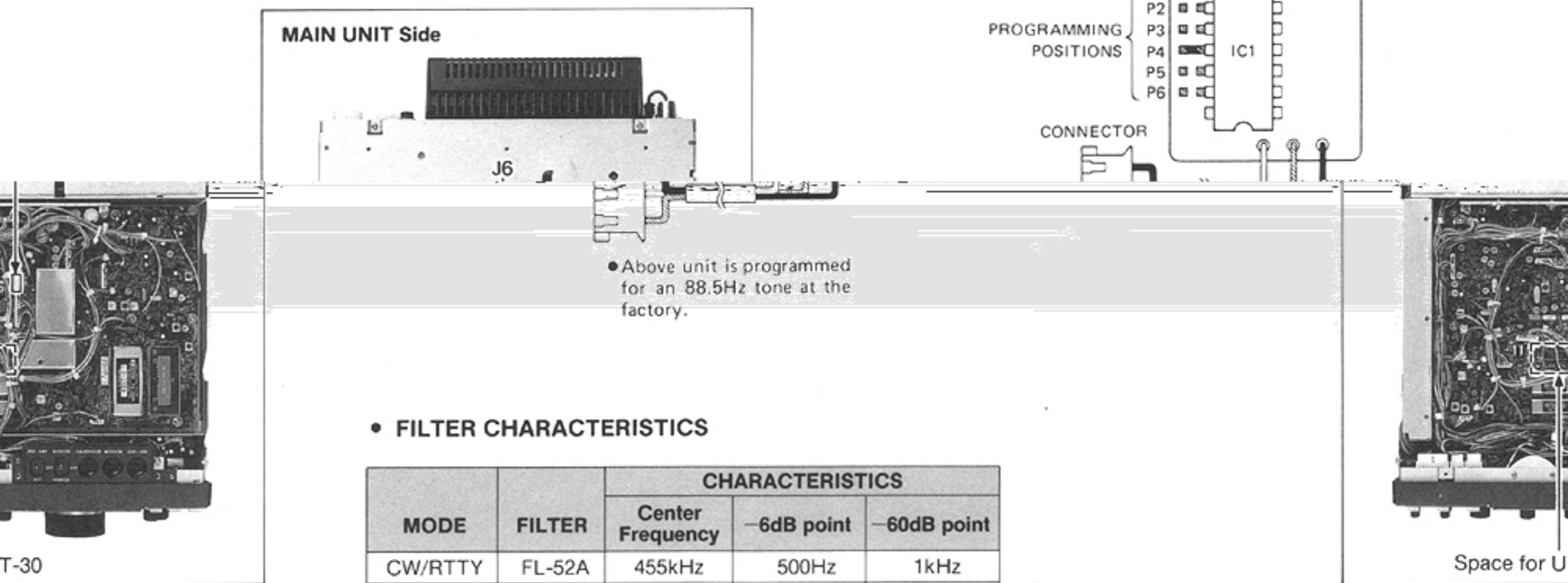
- Program the UT-30 for the frequency required using the programming chart below. The UT-30 is factory programmed at 88.5Hz.
- Replace the transceiver cover.

NOTE: Install and solder a jumper wire in each position indicated by "1" in the table below.

SUBAUDIBLE TONE ENCODER PROGRAMMING CHART													
FRE-QUENCY	P1	P2	P3	P4	P5	P6	FRE-QUENCY	P1	P2	P3	P4	P5	P6
67.0	1						131.8			1		1	
71.9		1					136.5	1		1		1	
74.4	1	1					141.3		1	1		1	
77.0			1				146.2	1	1	1		1	
79.7	1		1				151.4				1	1	
82.5		1	1				156.7	1			1	1	
85.4	1	1	1				162.2		1		1	1	
88.5				1			167.9	1	1		1	1	
91.5	1			1			173.8			1	1	1	
94.8		1		1			179.9	1		1	1	1	
97.4	1	1		1			186.2		1	1	1	1	
100.0			1	1			192.8	1	1	1	1	1	
103.5	1		1	1			203.5						1
107.2		1	1	1			210.7	1					1
110.9	1	1	1	1			218.1		1				1
114.8					1		225.7	1	1				1
118.8	1				1		233.6			1			1
123.0		1			1		241.8	1		1			1
127.3	1	1			1		250.3		1	1			1

11 - 5 OPTIONAL UT-30 PROGRAMMABLE ENCODER UNIT

• INSTALLATION



• FILTER CHARACTERISTICS

MODE	FILTER	CHARACTERISTICS		
		Center Frequency	-6dB point	-60dB point
CW/RTTY	FL-52A	455kHz	500Hz	1kHz
CW/RTTY	FL-53A	455kHz	250Hz	480Hz
CW/RTTY	FL-63A	9.0106MHz	250Hz	800Hz
CW/RTTY	*FL-32A	9.0106MHz	500Hz	1.34kHz
SSB	FL-70	9.0115MHz	2.8kHz	5kHz
SSB	*FL-80	9.0115MHz	2.6kHz	3.8kHz
SSB	*FL-44A	455kHz	2.3kHz	4.2kHz
AM	FL-33	9.0100MHz	6kHz	20kHz

NOTE: The filters marked with "*" are supplied with the IC-751A.

top cover.

IC-751A is located on the MAIN UNIT and is on a 10-pin ribbon tape.

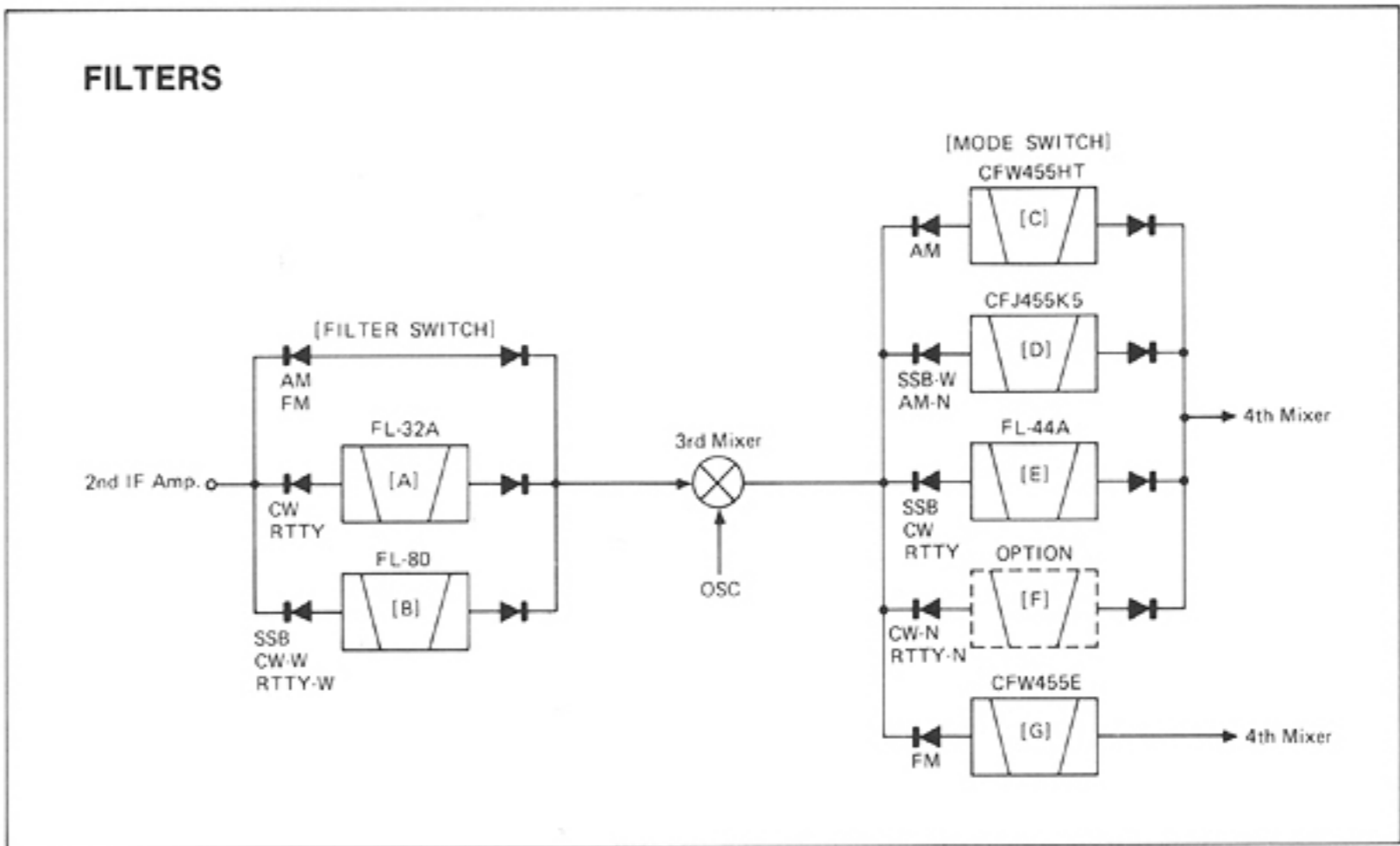
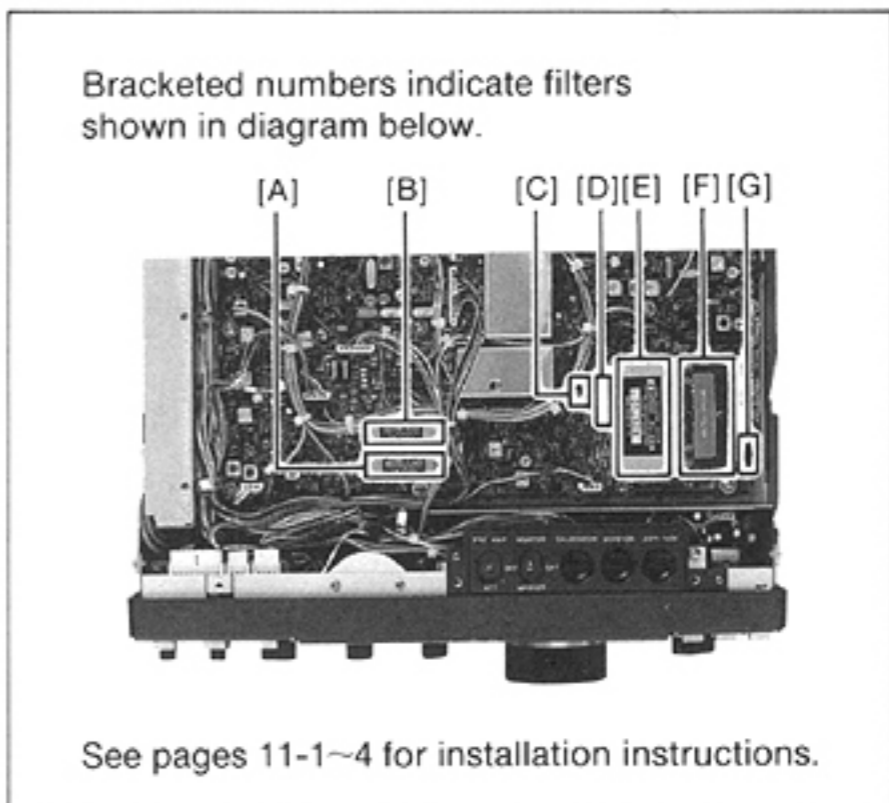
Remove the UT-30 from the UT-30 into J6 on the MAIN UNIT.

- Remove the transceiver top cover.
- Install the UT-30 where IC-751A is located on the MAIN UNIT using the supplied double-sided adhesive tape.
- Plug the 3-pin connector into J6 on the MAIN UNIT.

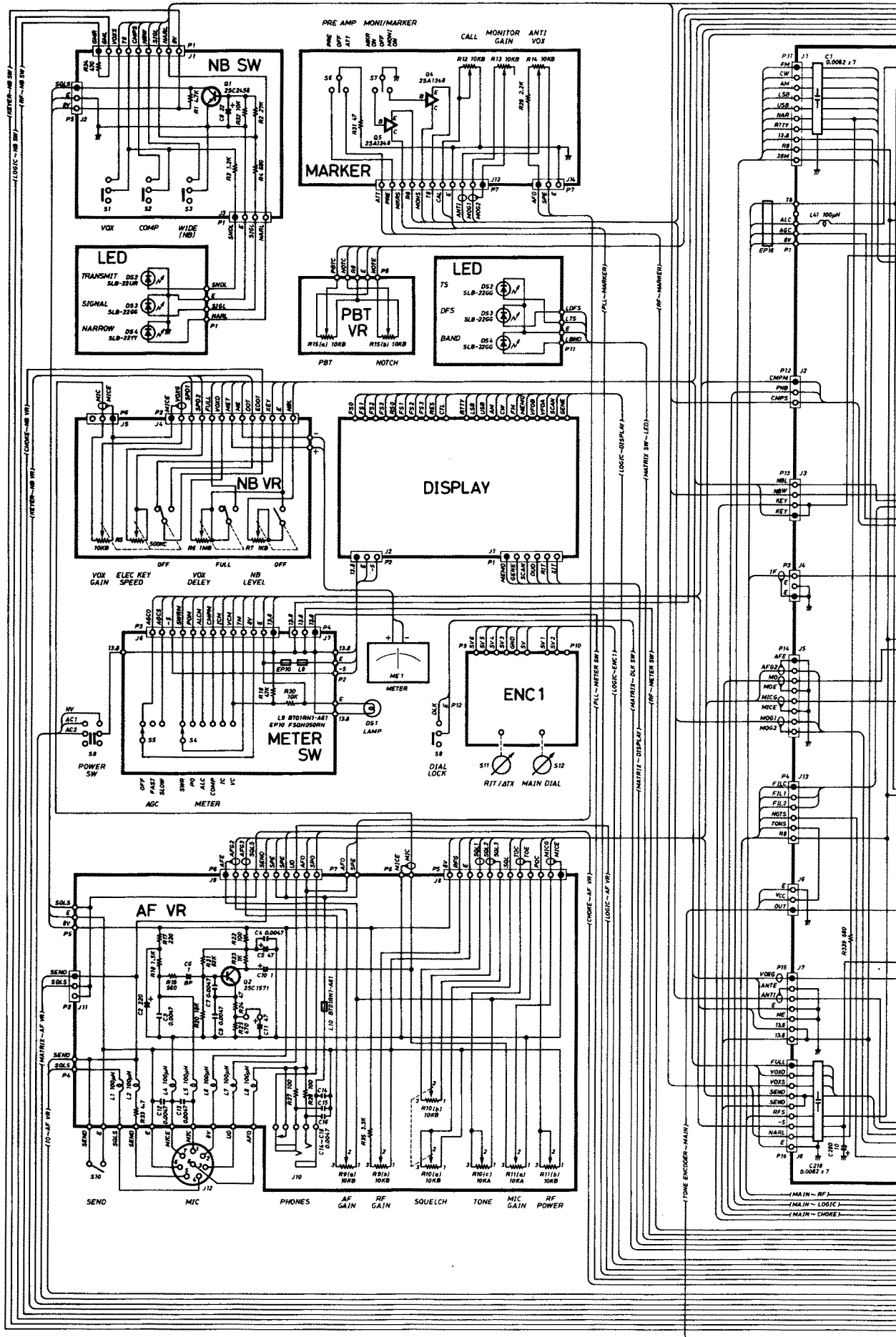
• FILTER COMBINATIONS

MODE	FILTER SWITCH	9MHz FILTER	455kHz FILTER	STANDARD BANDWIDTH	P.B.T.
USB/LSB	OUT	FL-80	FL-44A	2.3kHz	YES
	IN	FL-80	CFJ455K5	2.6kHz	YES
CW/RTTY	OUT	FL-32A	FL-44A	500Hz	YES
	IN	FL-80	FL-44A	2.3kHz	YES
CW/RTTY NARROW	OUT	FL-32A	FL-52A/ FL-53A	500Hz/ 250Hz	YES
	IN	FL-80	FL-52A/ FL-53A	500Hz/ 250Hz	IF SHIFT
AM	OUT	THROUGH	CFW455HT	8kHz	NO
	IN	THROUGH	CFJ455K5	3kHz	NO
FM	OUT	THROUGH	CFW455E	15kHz	NO
	IN	THROUGH	CFW455E	15kHz	NO

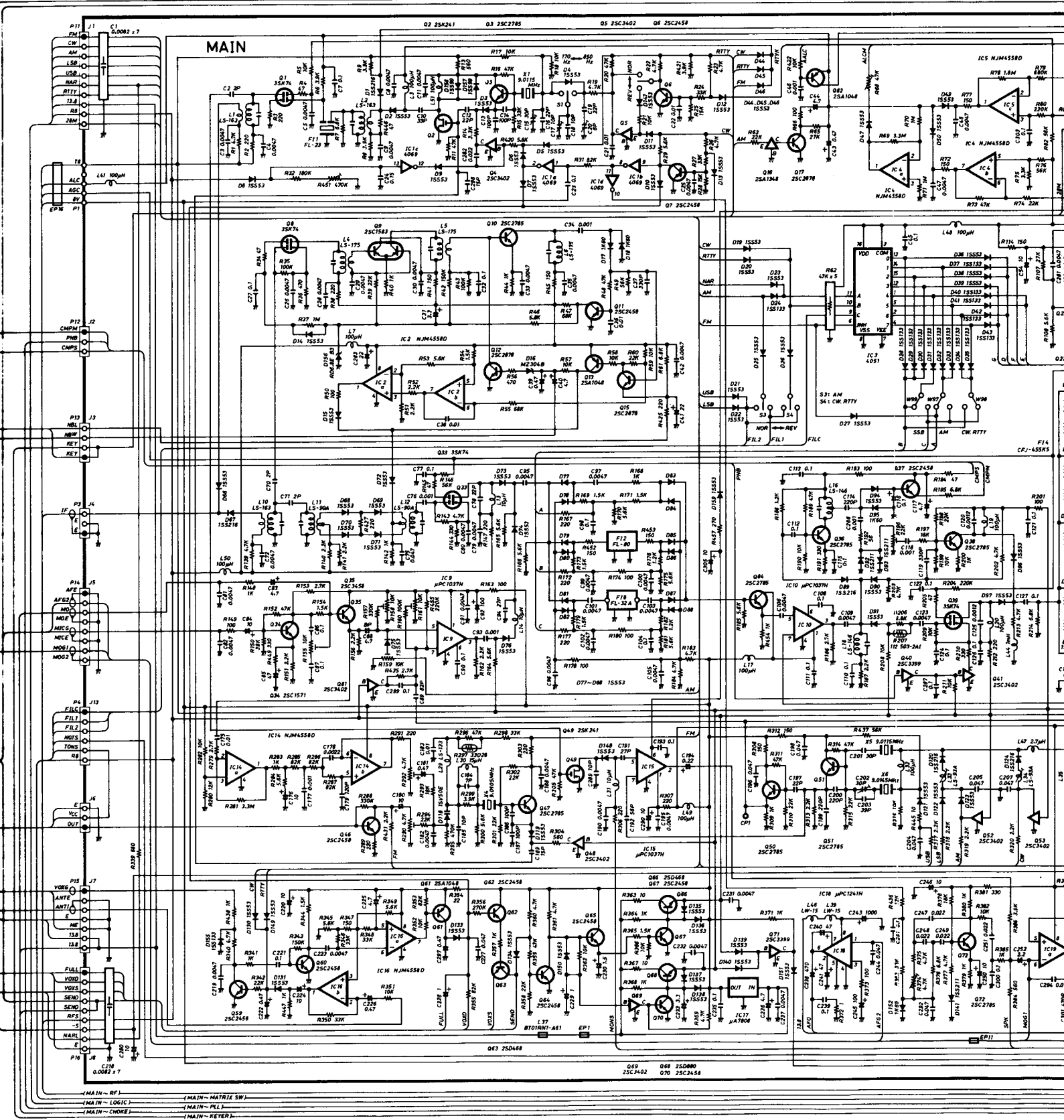
• FILTER SYSTEM



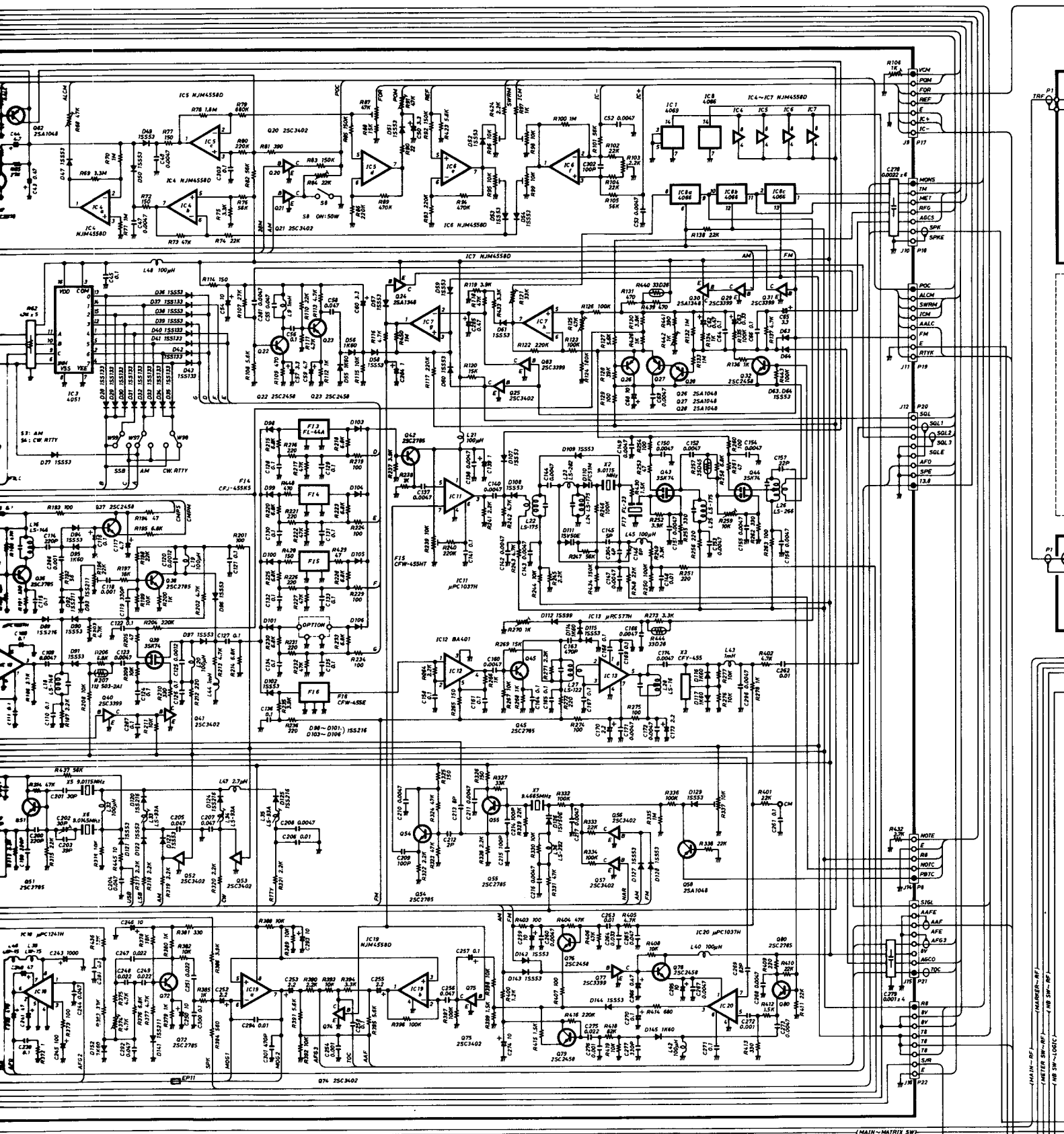
IC-751A SCHEMATIC DIAGRAM



TIC DIAGRAM



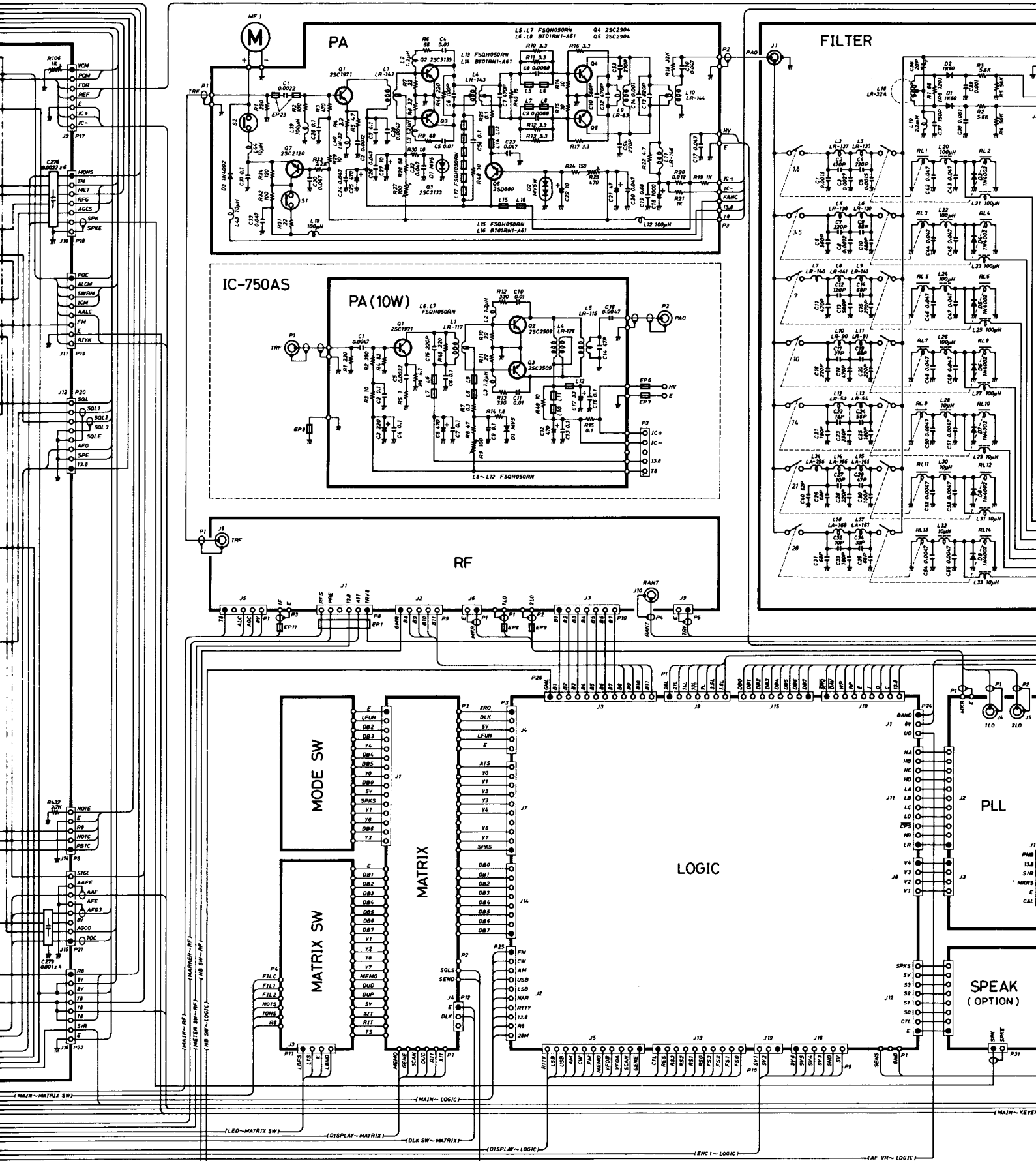
068 25C3402
069 25C2458
070 25C2458

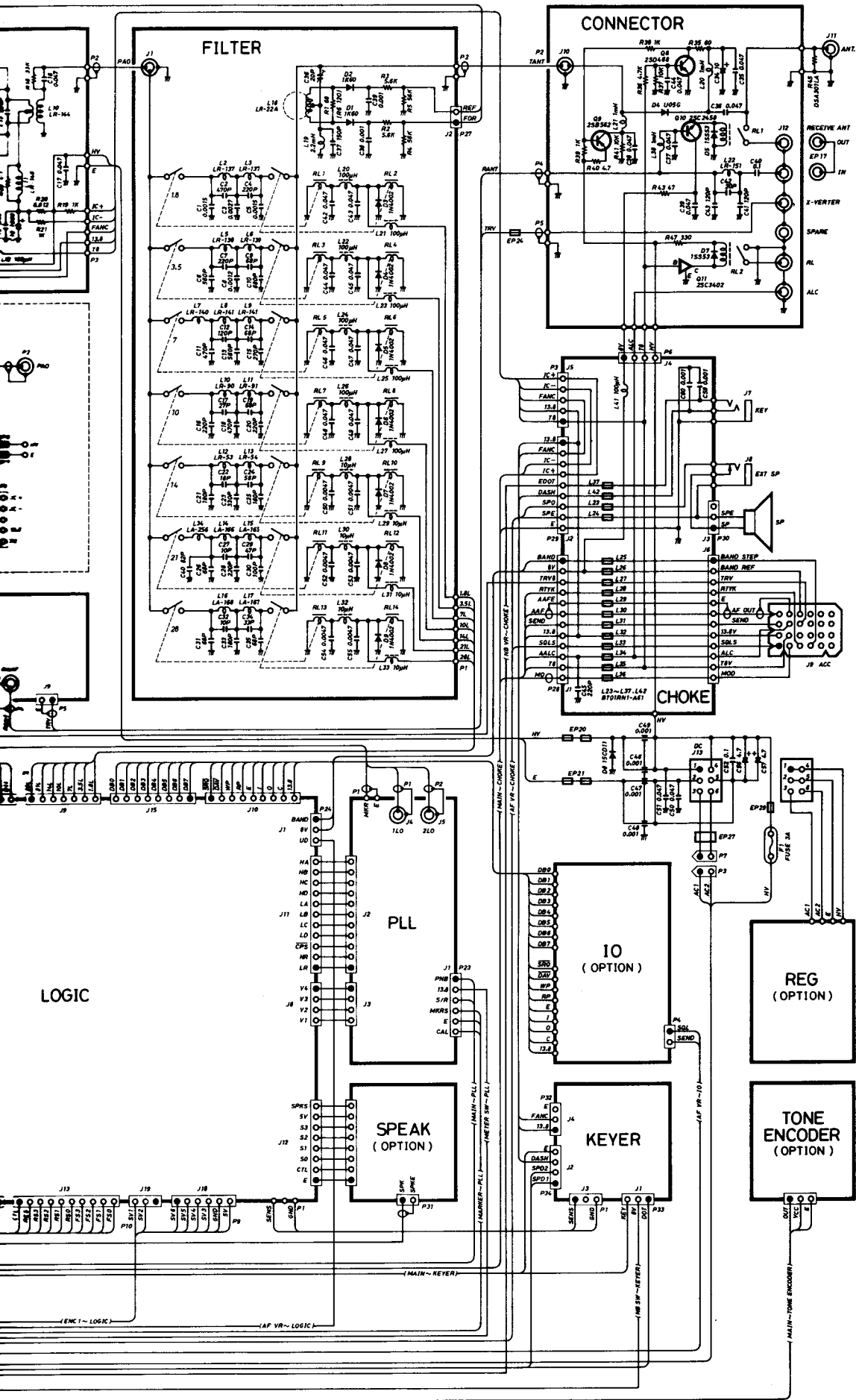


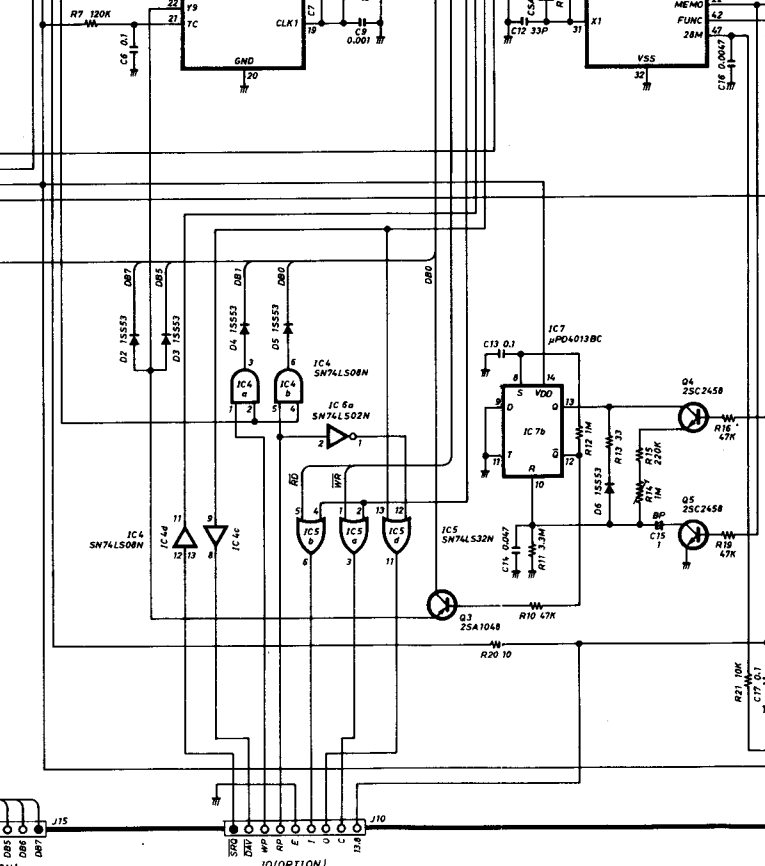
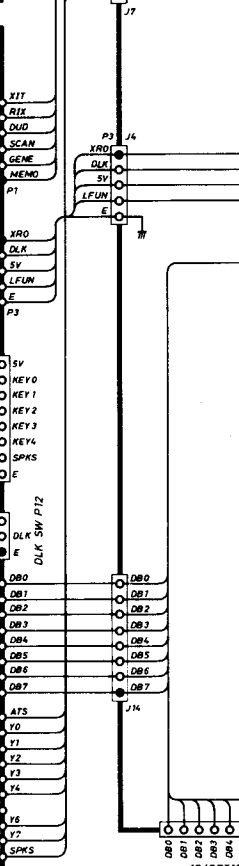
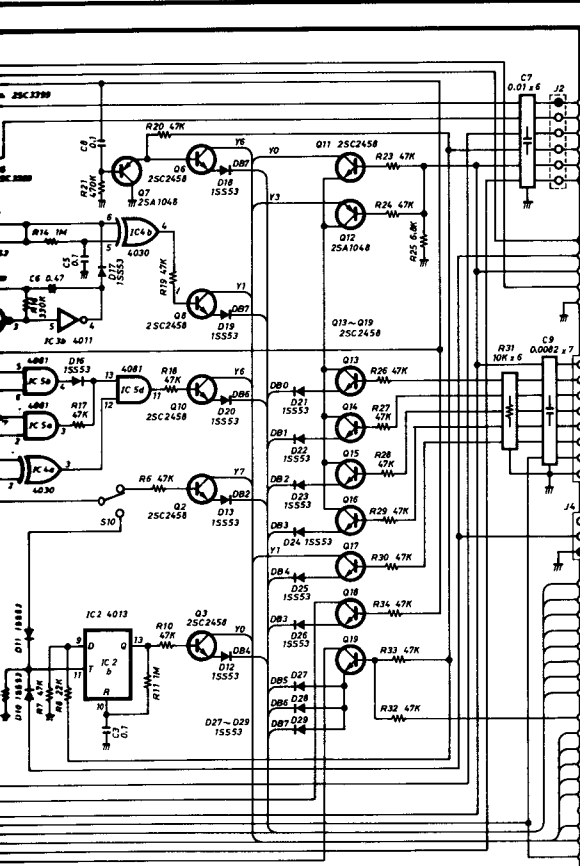
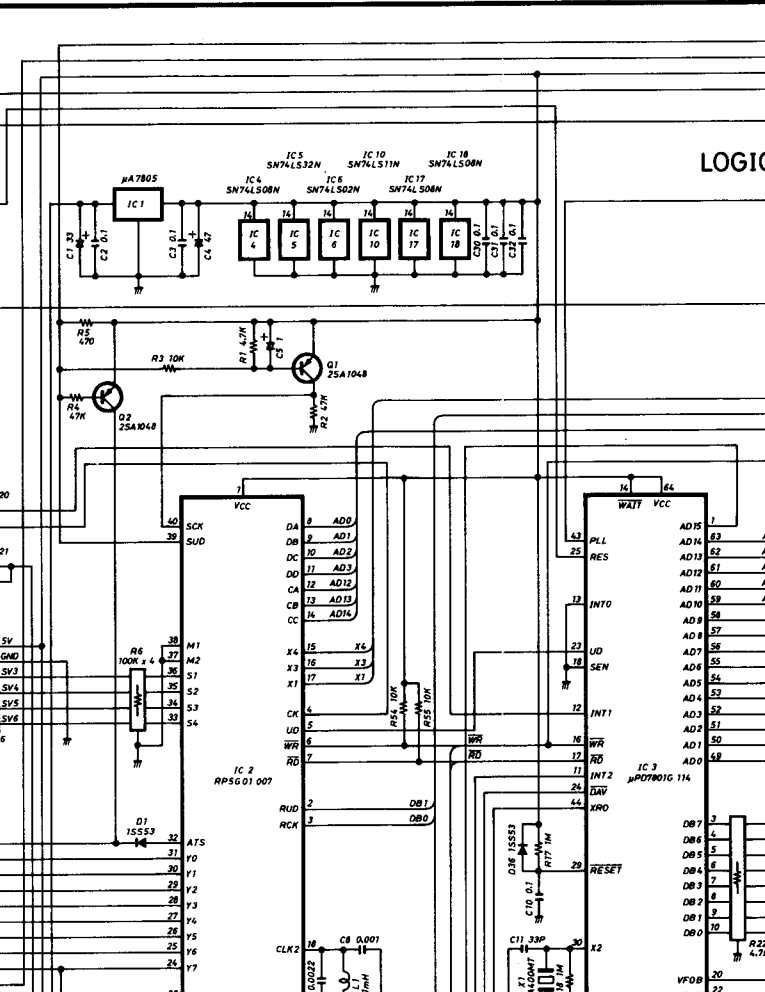
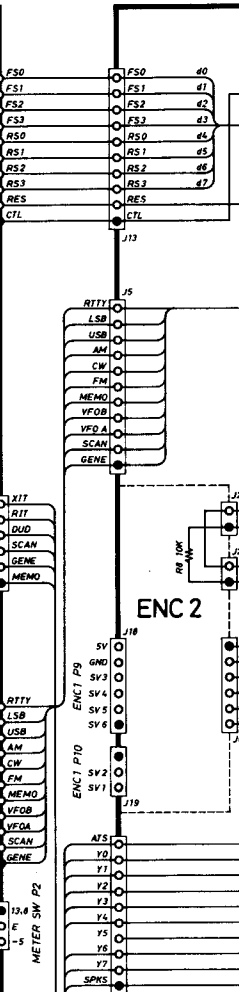
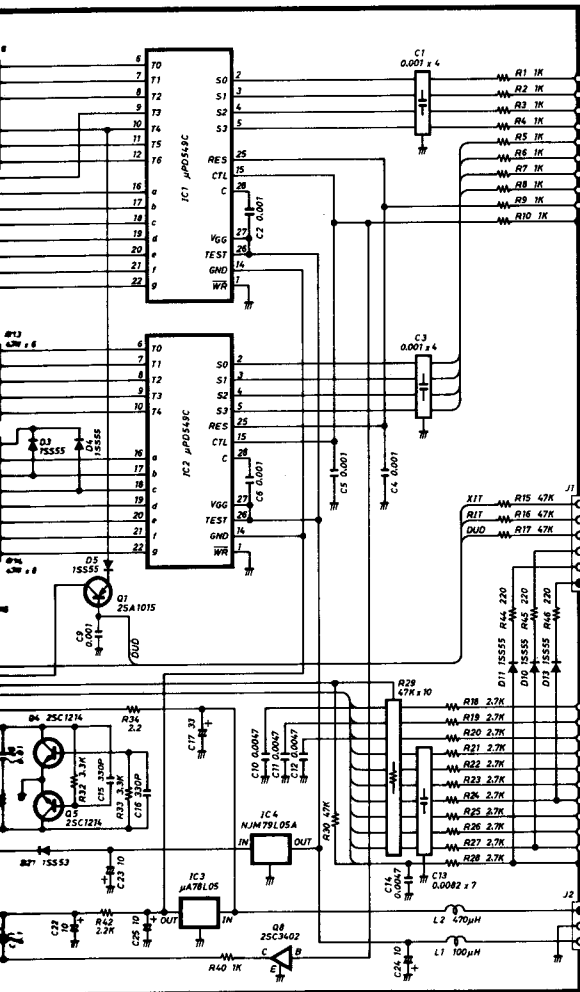
(MAIN-MATRIX SW)

(MAIN-REF) (METER SW-REF) (METER SW-LOGIC)

NOTE
R1
R2
R3
R4
R5
R6
R7
R8
R9
R10
R11
R12
R13
R14
R15
R16
R17
R18
R19
R20
R21
R22
R23
R24
R25
R26
R27
R28
R29
R30
R31
R32
R33
R34
R35
R36
R37
R38
R39
R40
R41
R42
R43
R44
R45
R46
R47
R48
R49
R50
R51
R52
R53
R54
R55
R56
R57
R58
R59
R60
R61
R62
R63
R64
R65
R66
R67
R68
R69
R70
R71
R72
R73
R74
R75
R76
R77
R78
R79
R80
R81
R82
R83
R84
R85
R86
R87
R88
R89
R90
R91
R92
R93
R94
R95
R96
R97
R98
R99
R100







LOGIC

ENC 2

10(OPTION)

10(OPTION)

