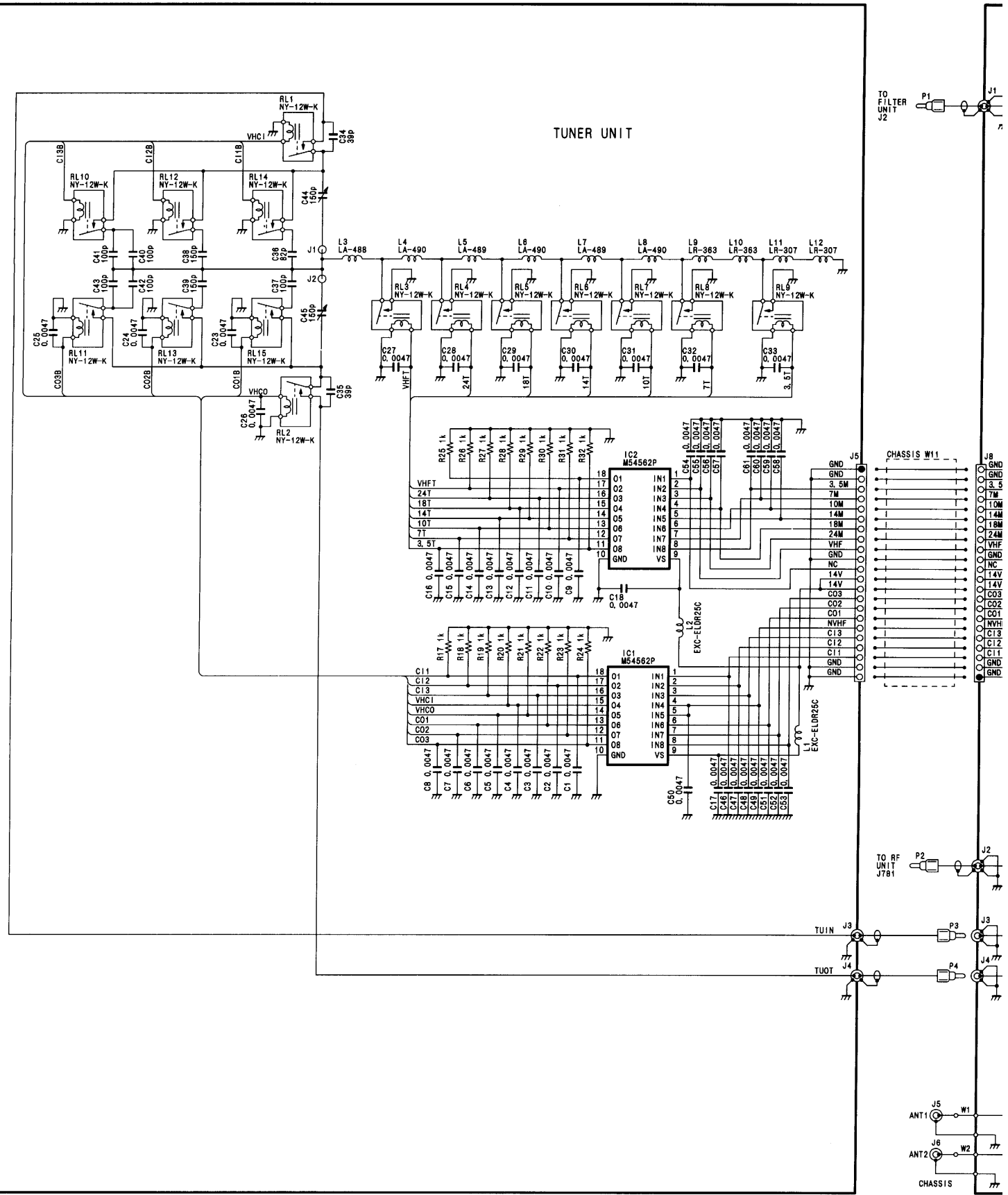


TUNER UNIT



TO FILTER UNIT J2

CHASSIS W1

J5  
GND  
GND  
3.5M  
7M  
10M  
14M  
18M  
24M  
VHF  
GND  
NC  
14V  
14V  
CO3  
CO2  
CO1  
NVHF  
C13  
C12  
C11  
GND  
GND

TO RF UNIT J761

TUIN J3  
TUOT J4

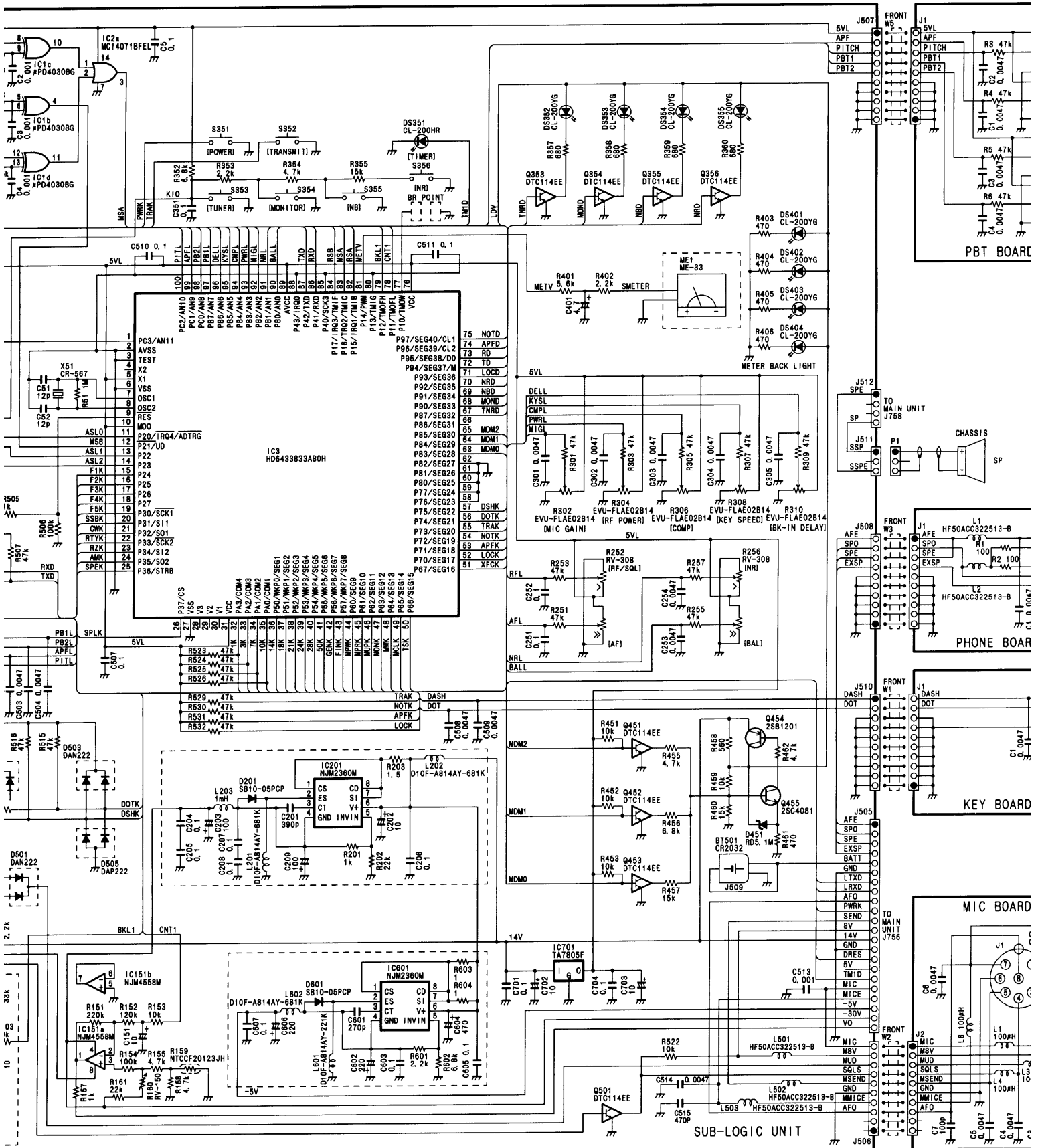
J2  
J3  
J4

ANT1 J5 W1  
ANT2 J6 W2  
CHASSIS



# IC-756S

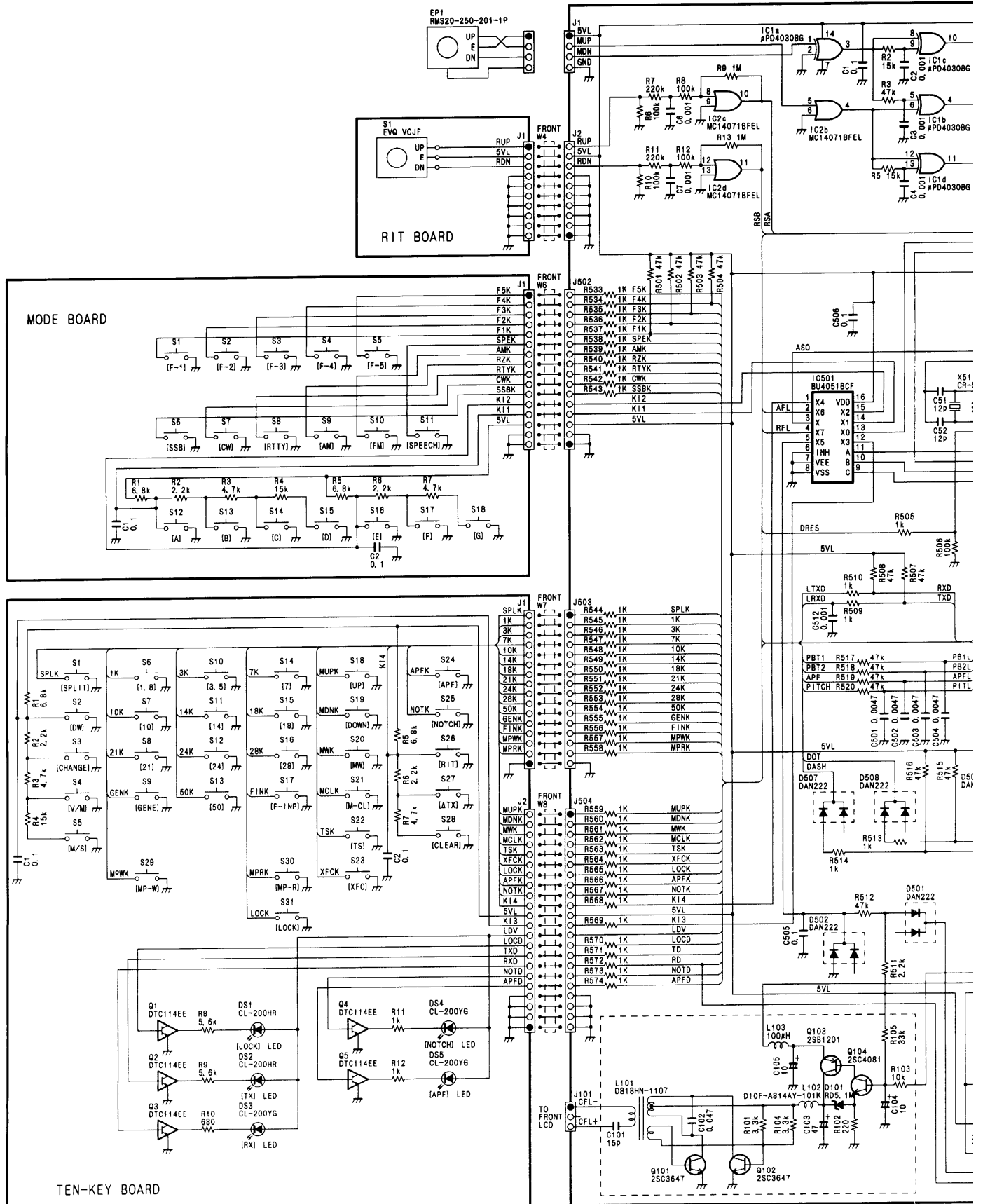
## SCHEMATIC DIAGRAM

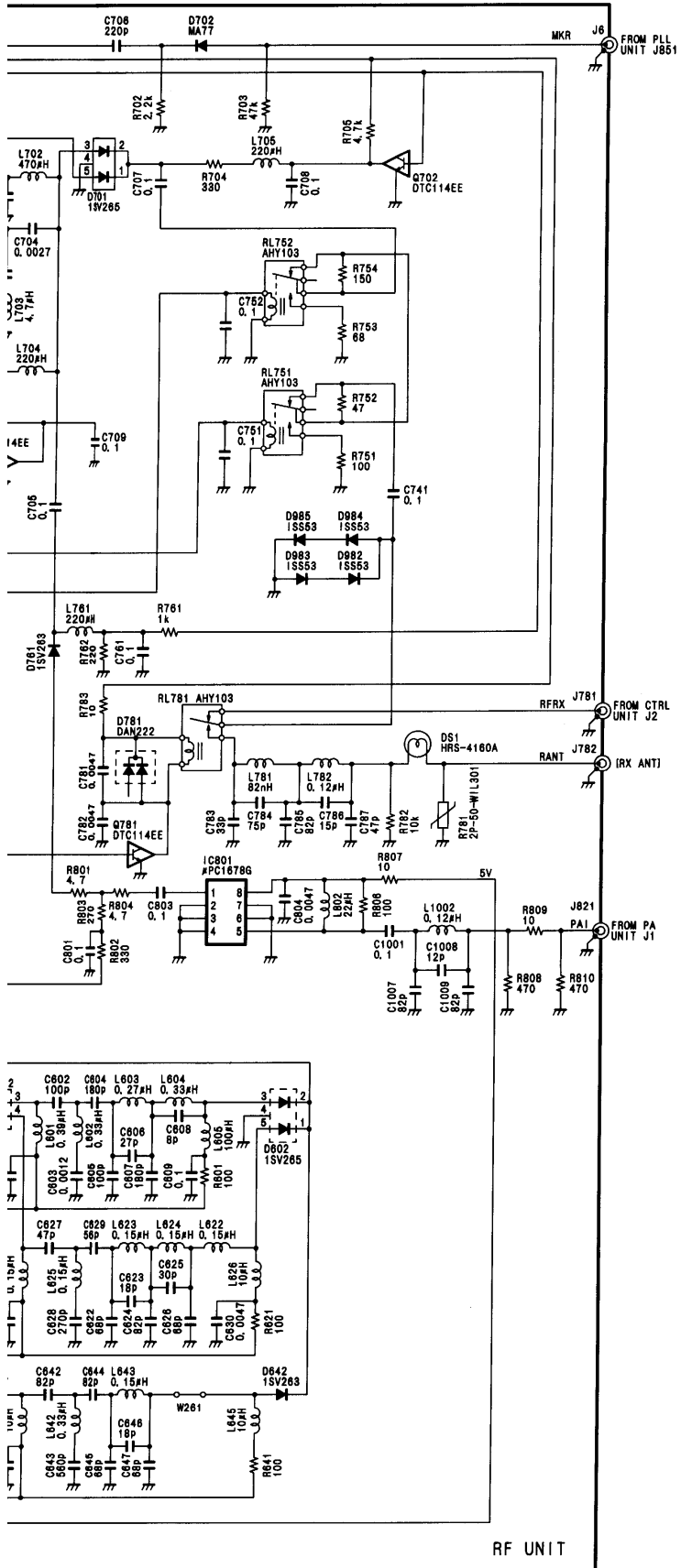


# ICOM

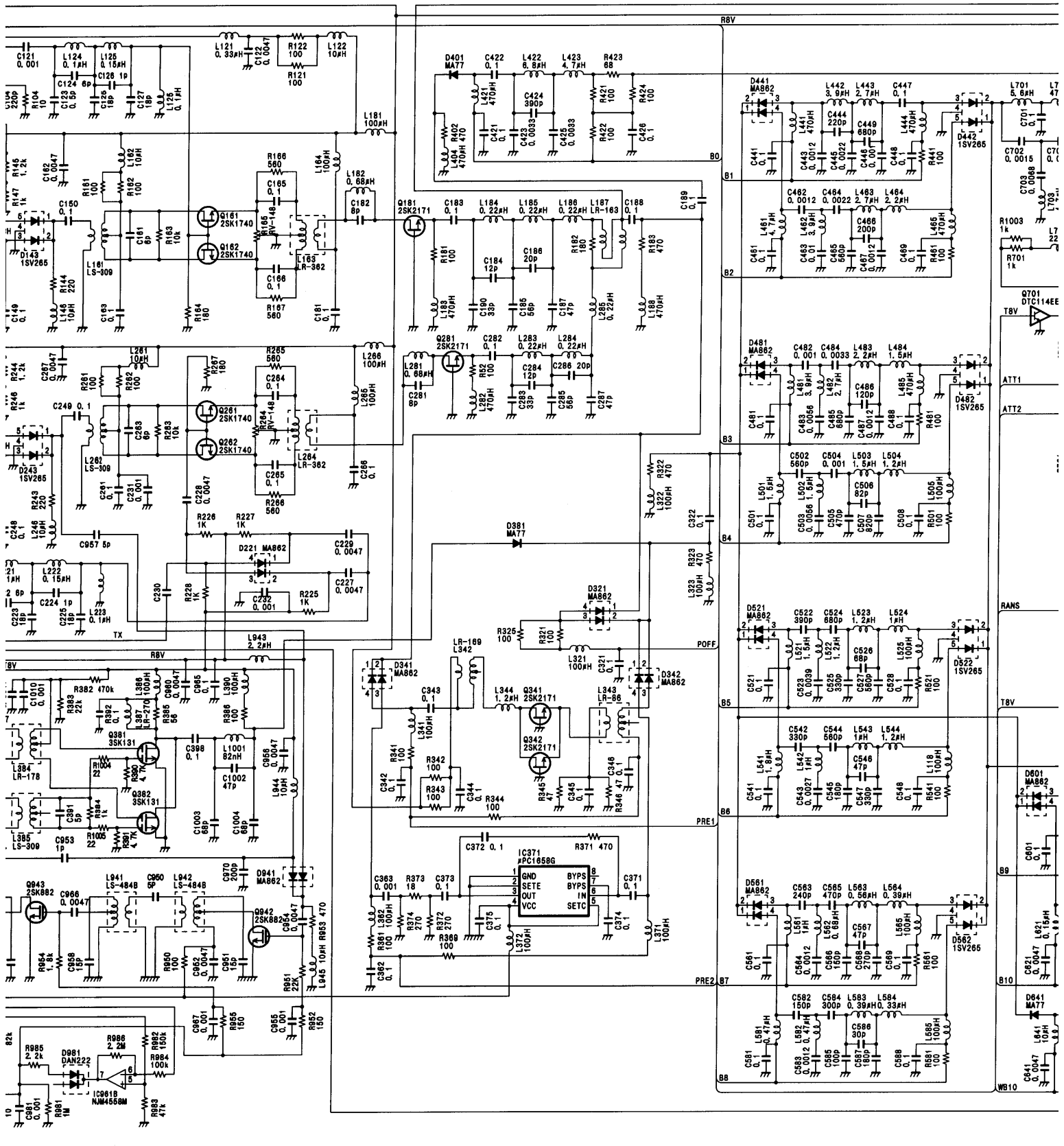
①

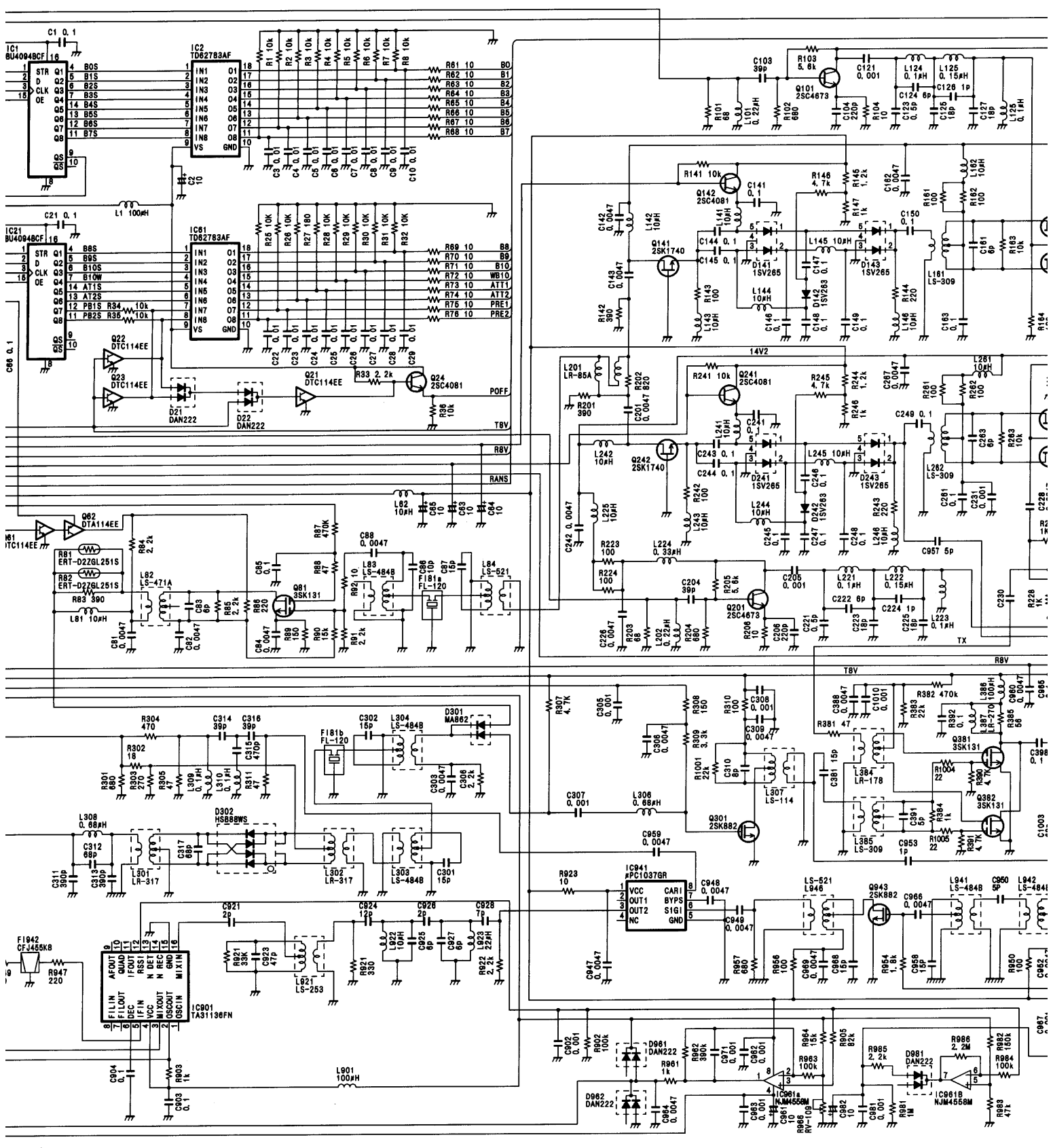
# IC-756 IC-756M IC-



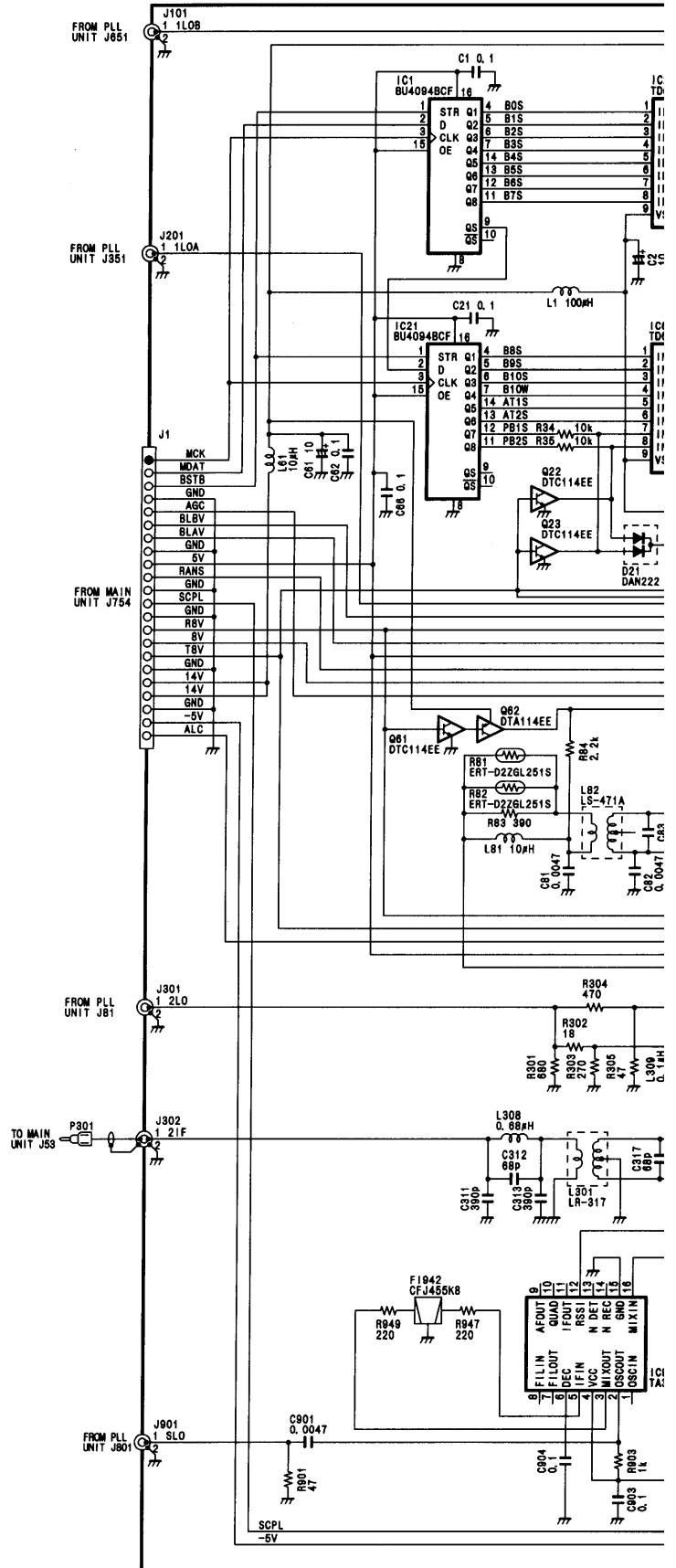


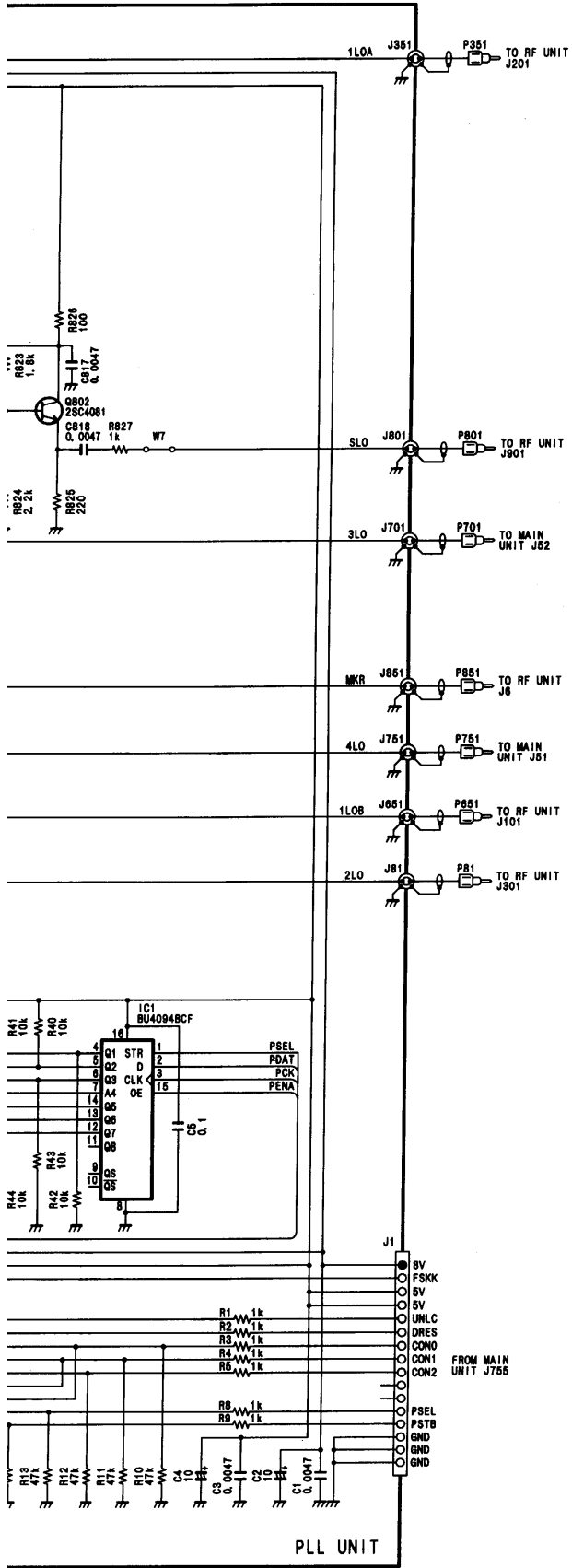
RF UNIT

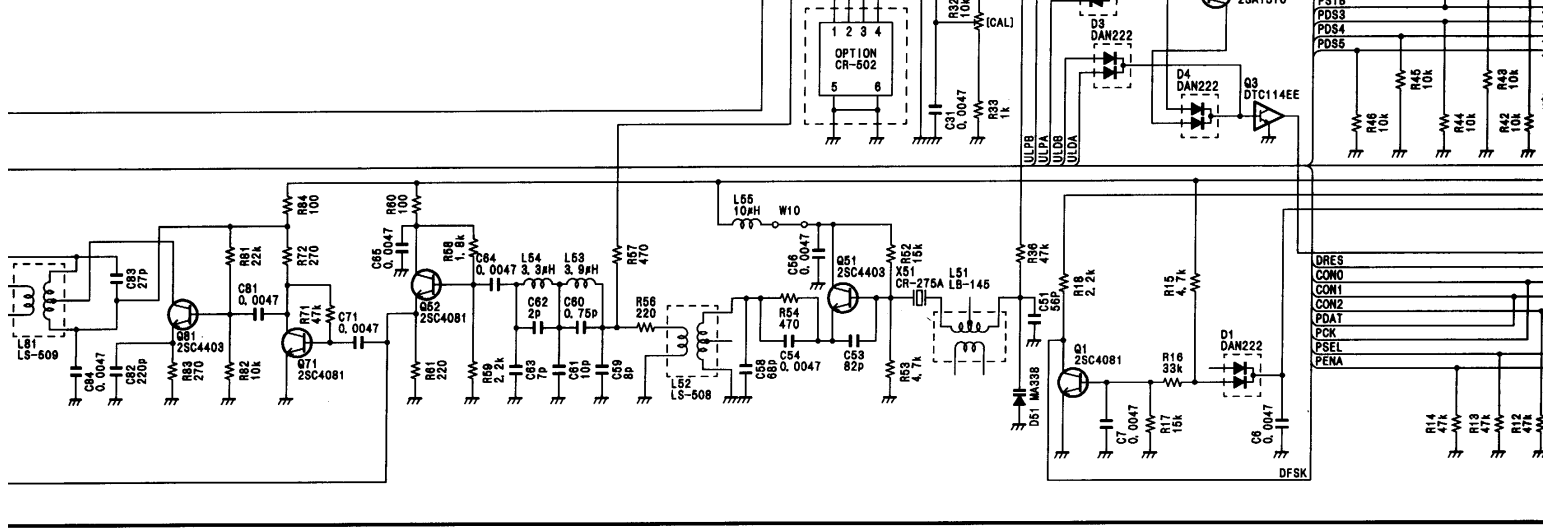
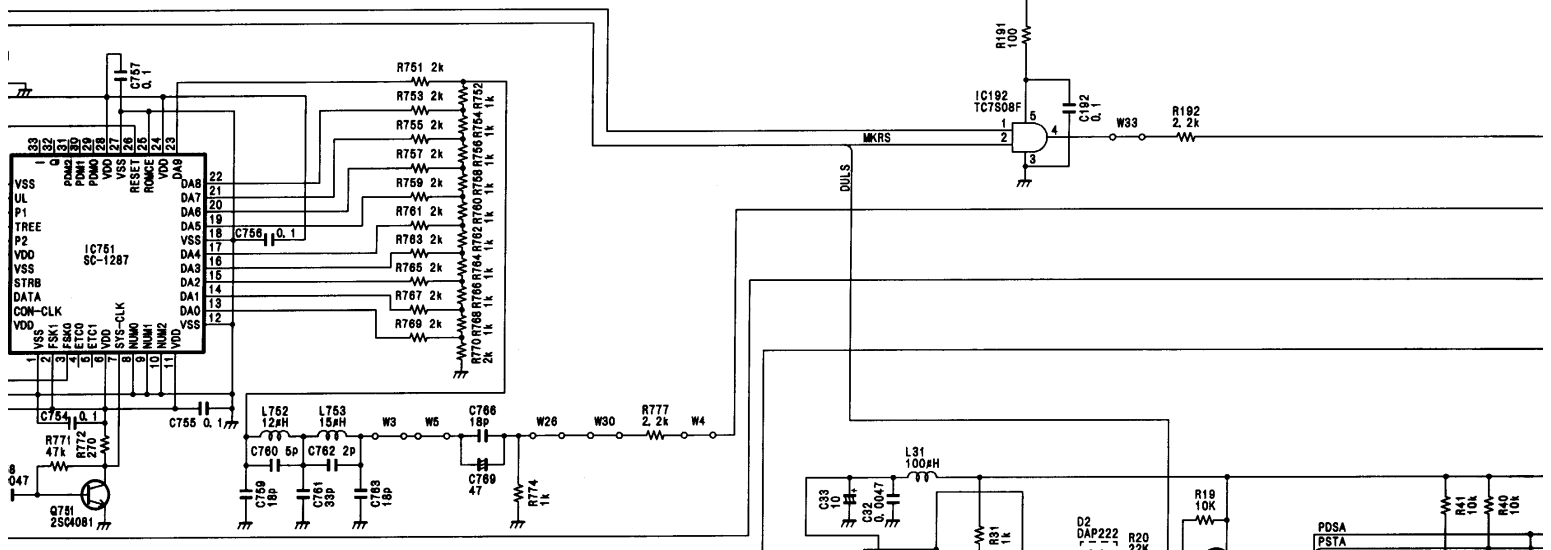
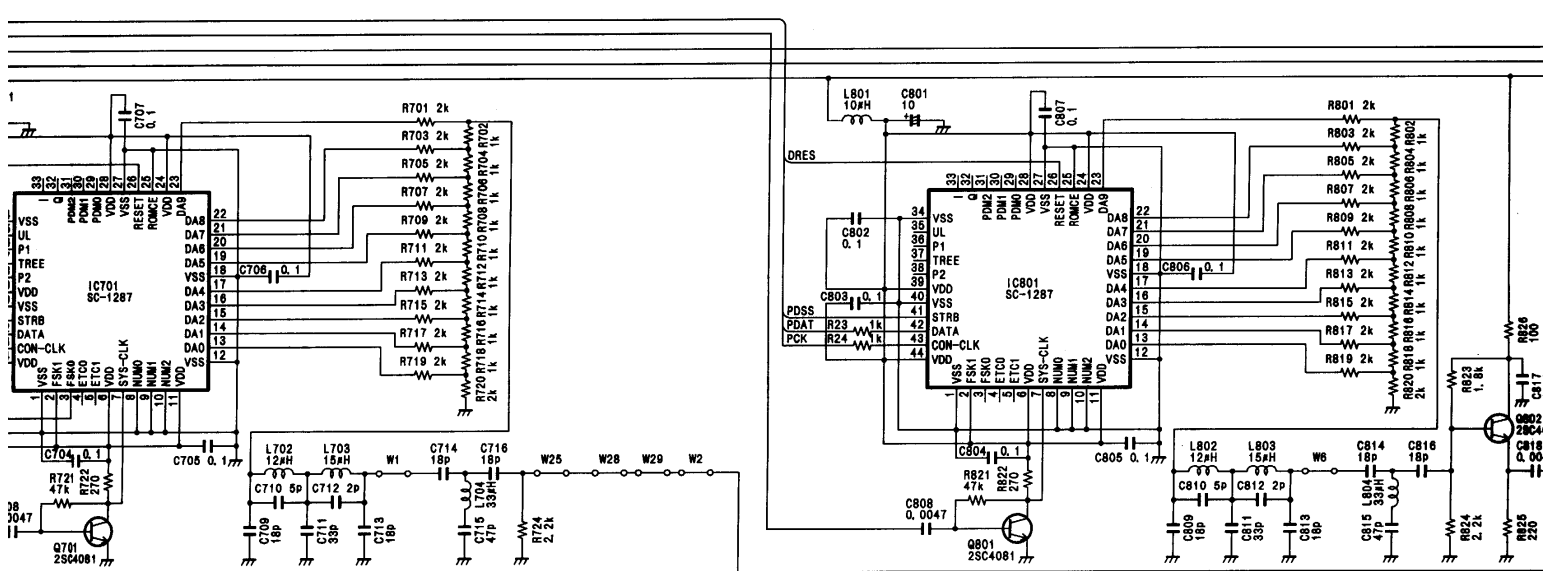


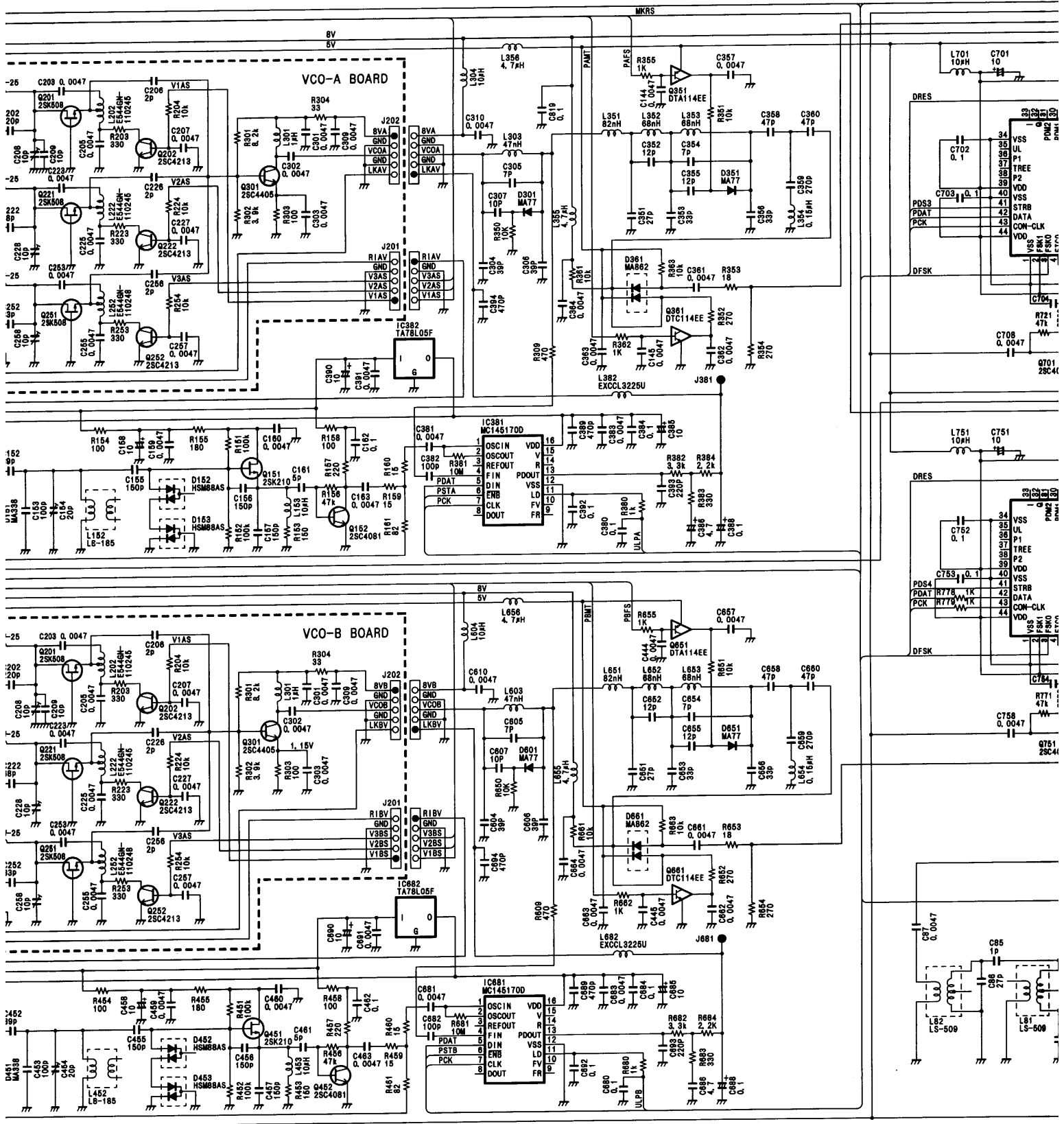


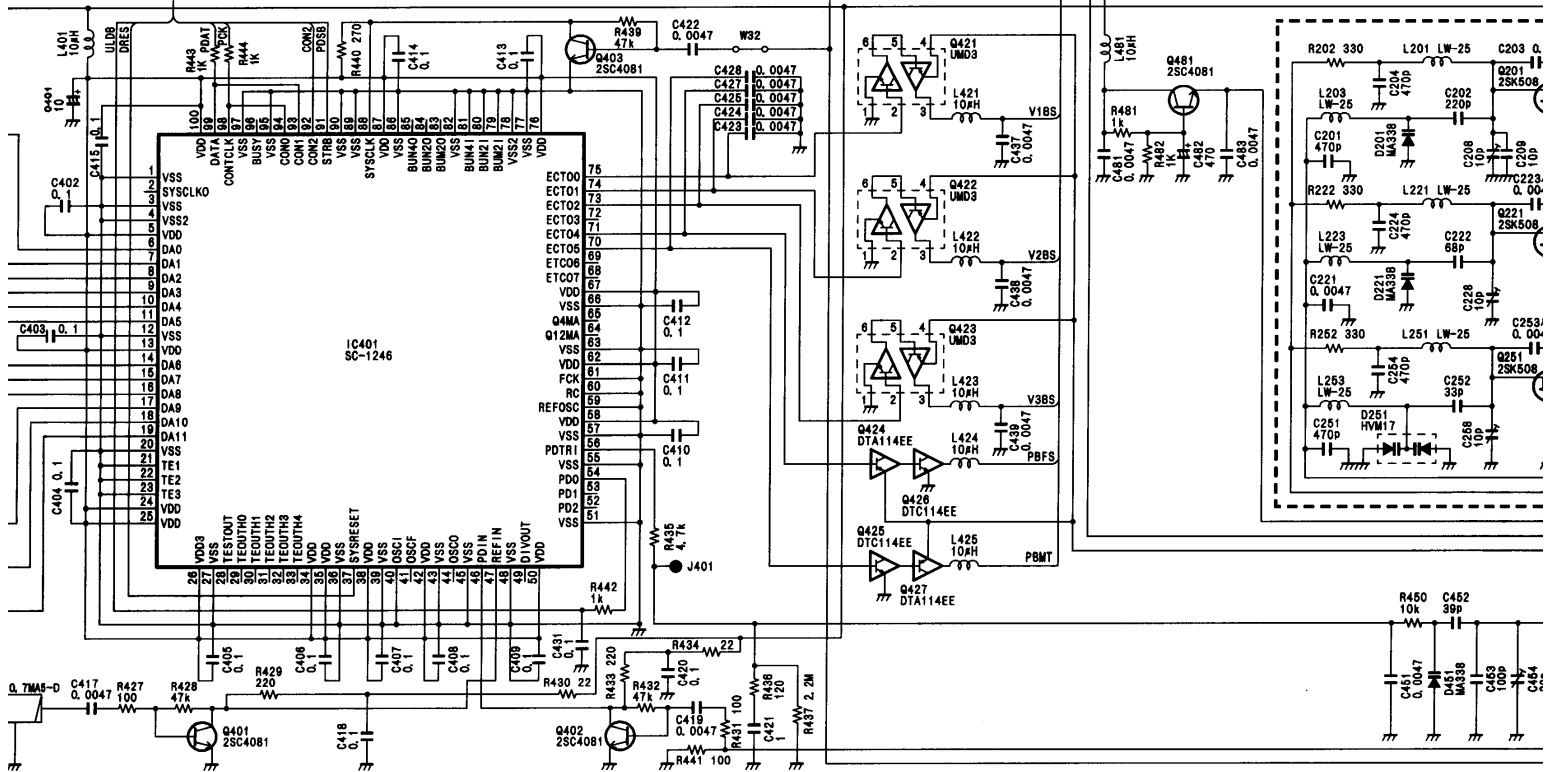
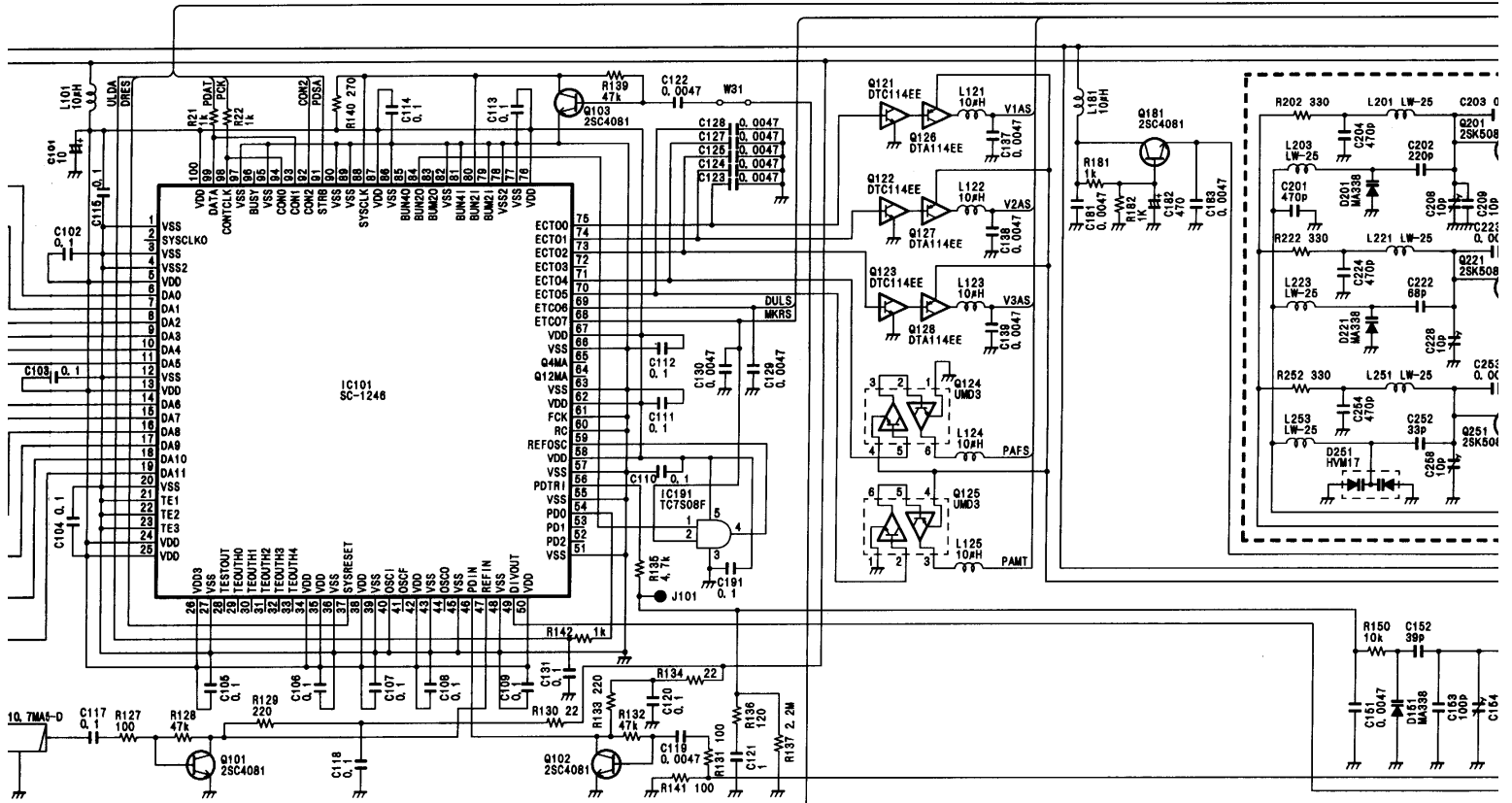


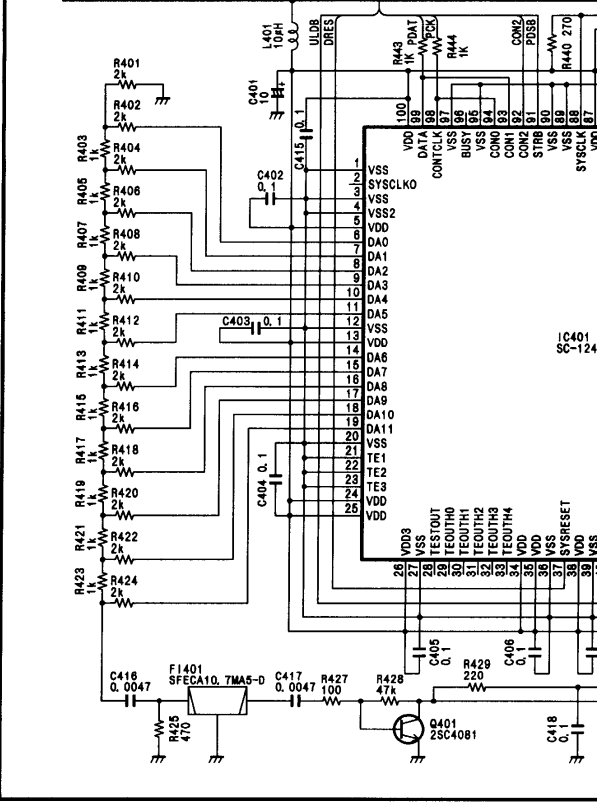
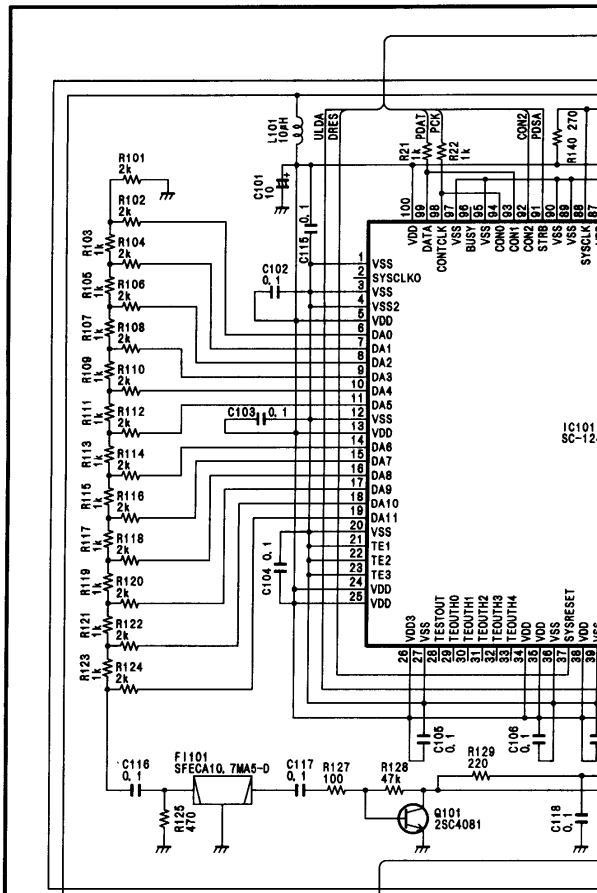






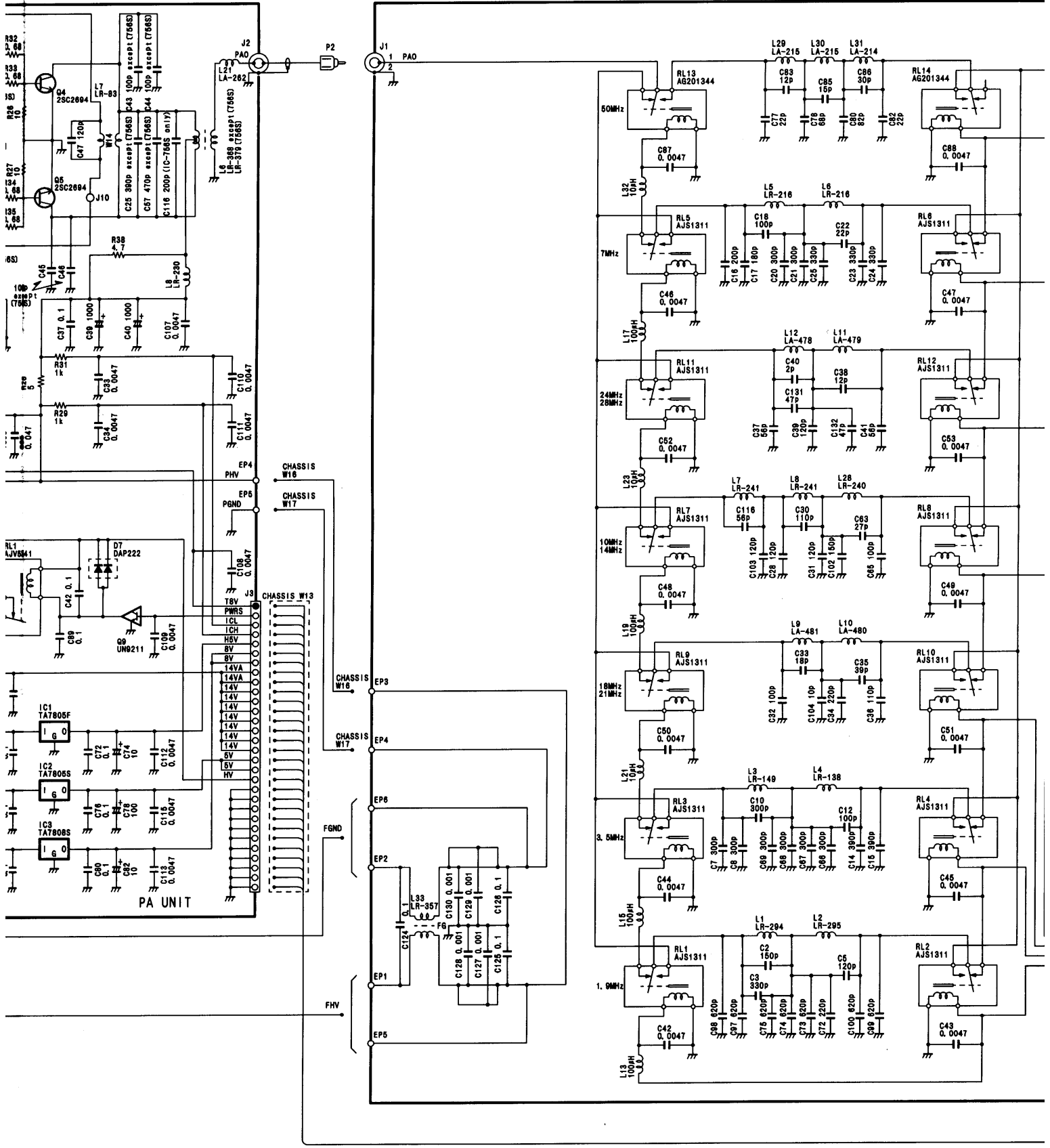


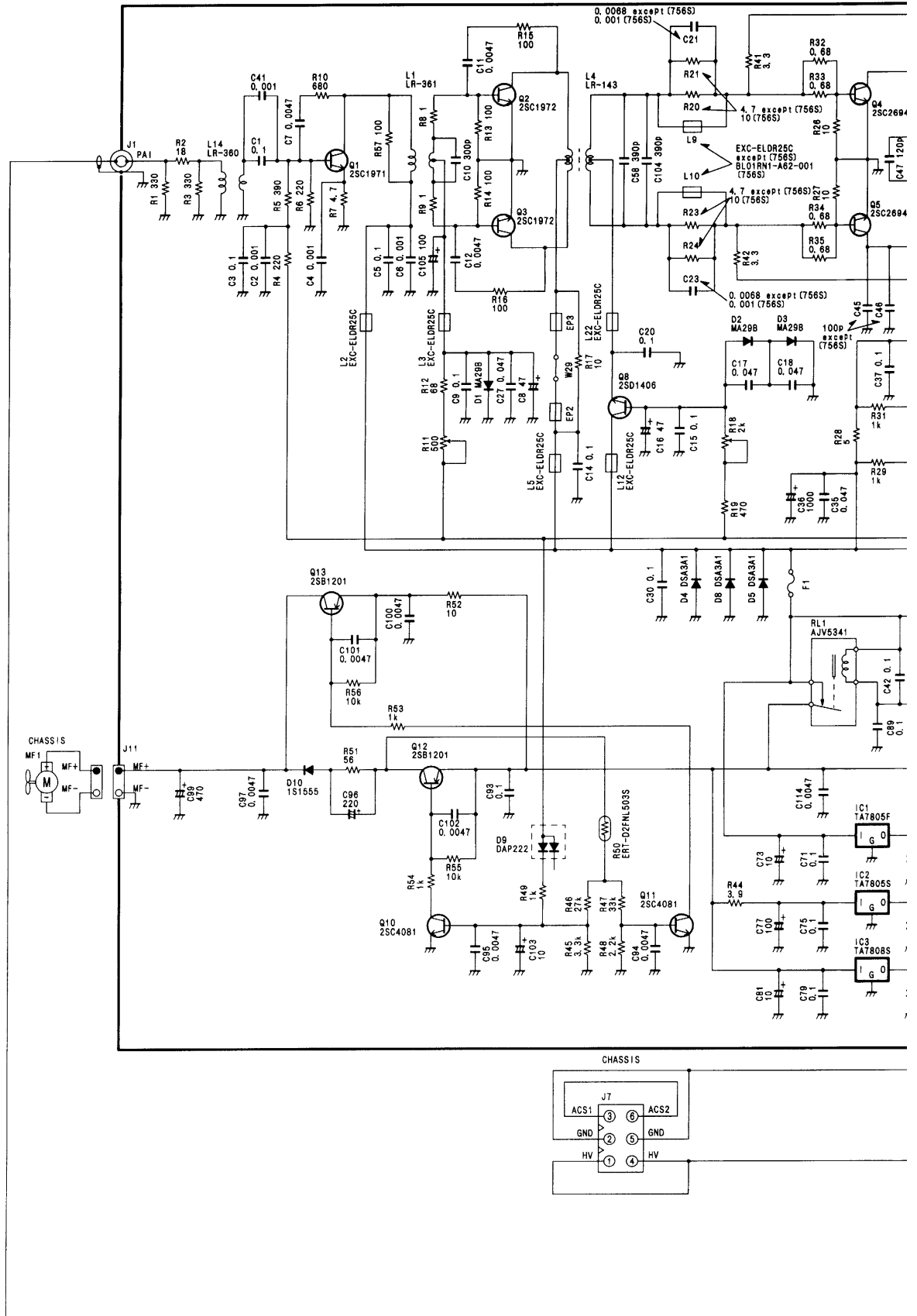




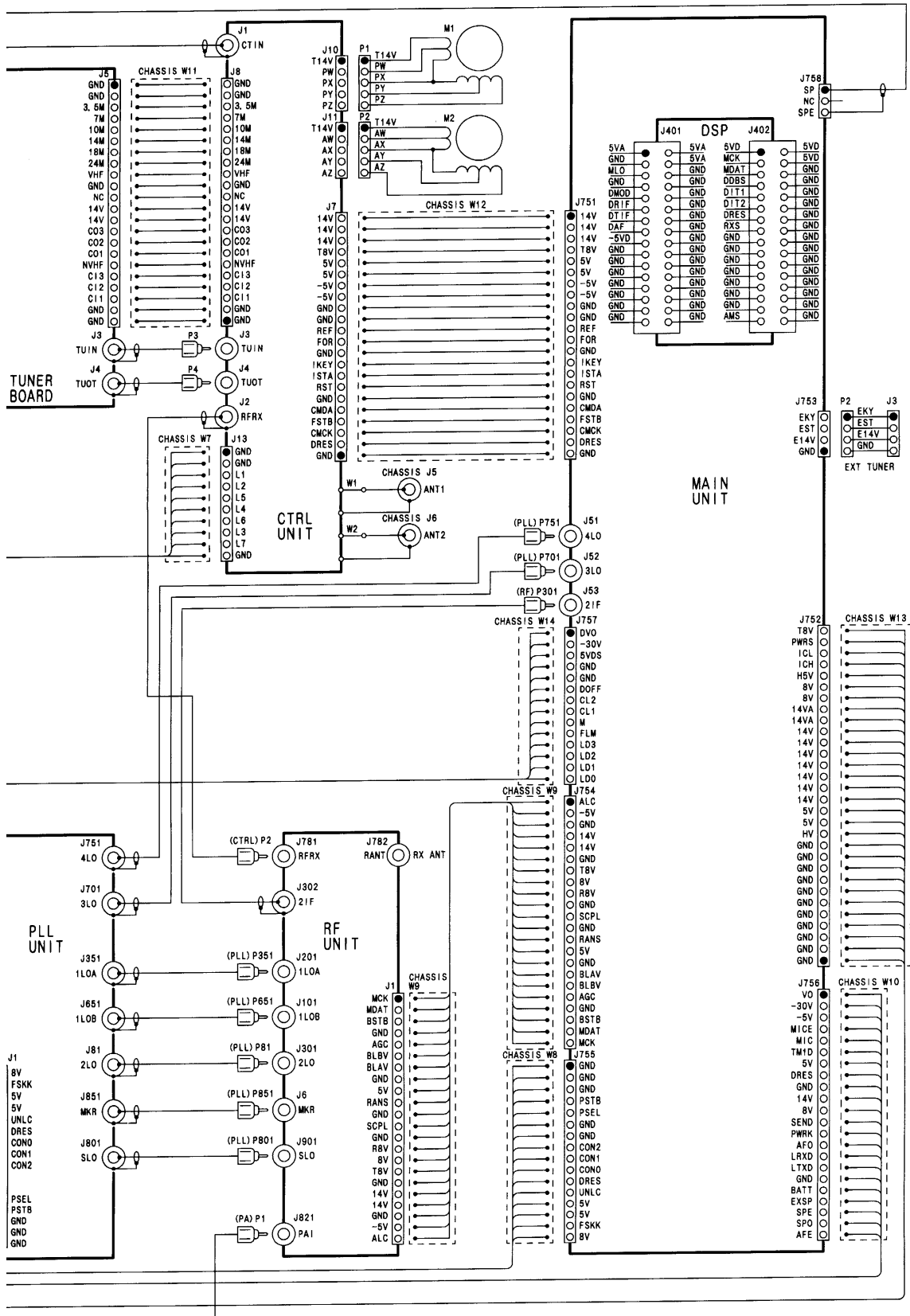
# IC-756S

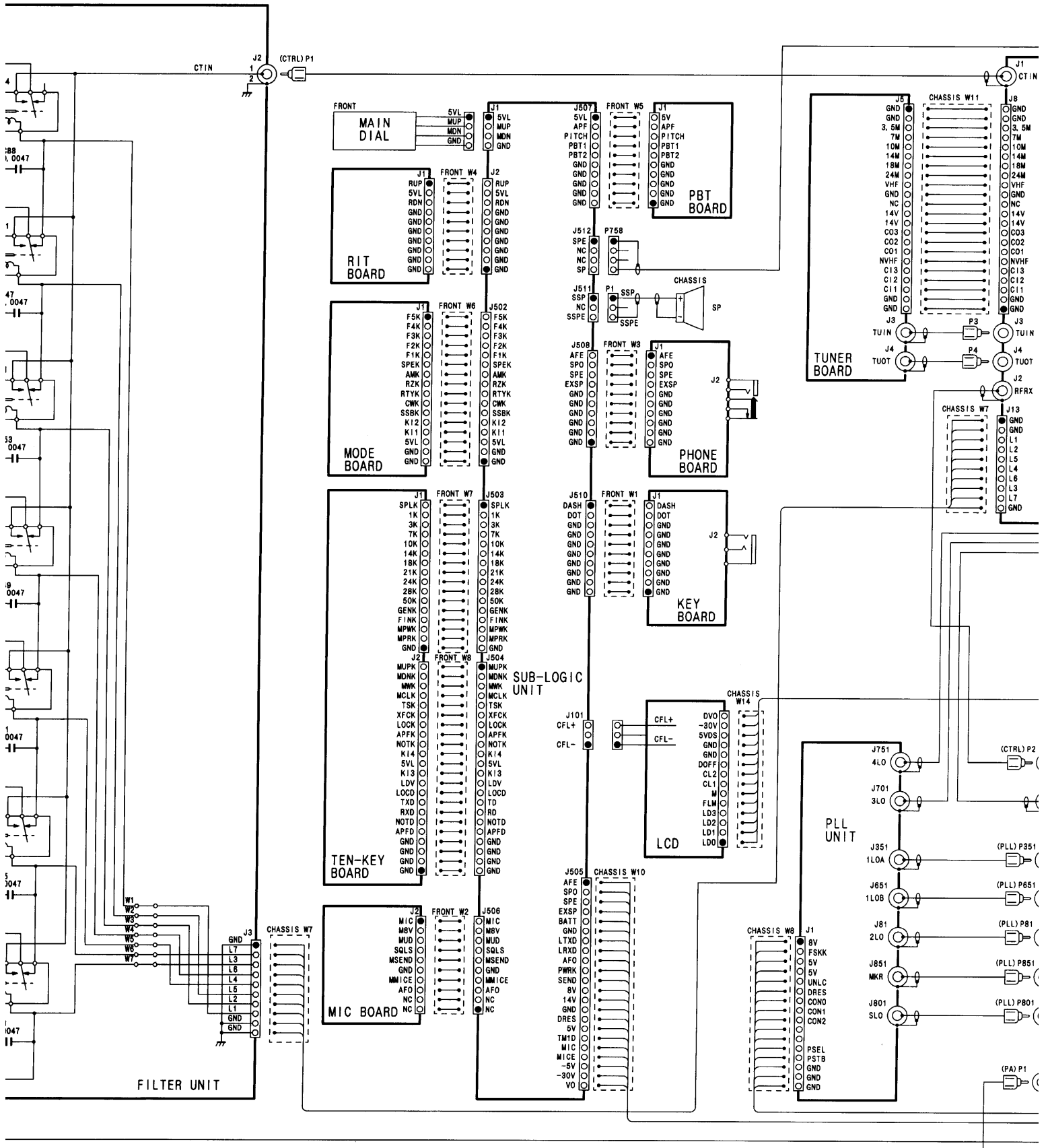
## SCHEMATIC DIAGRAM

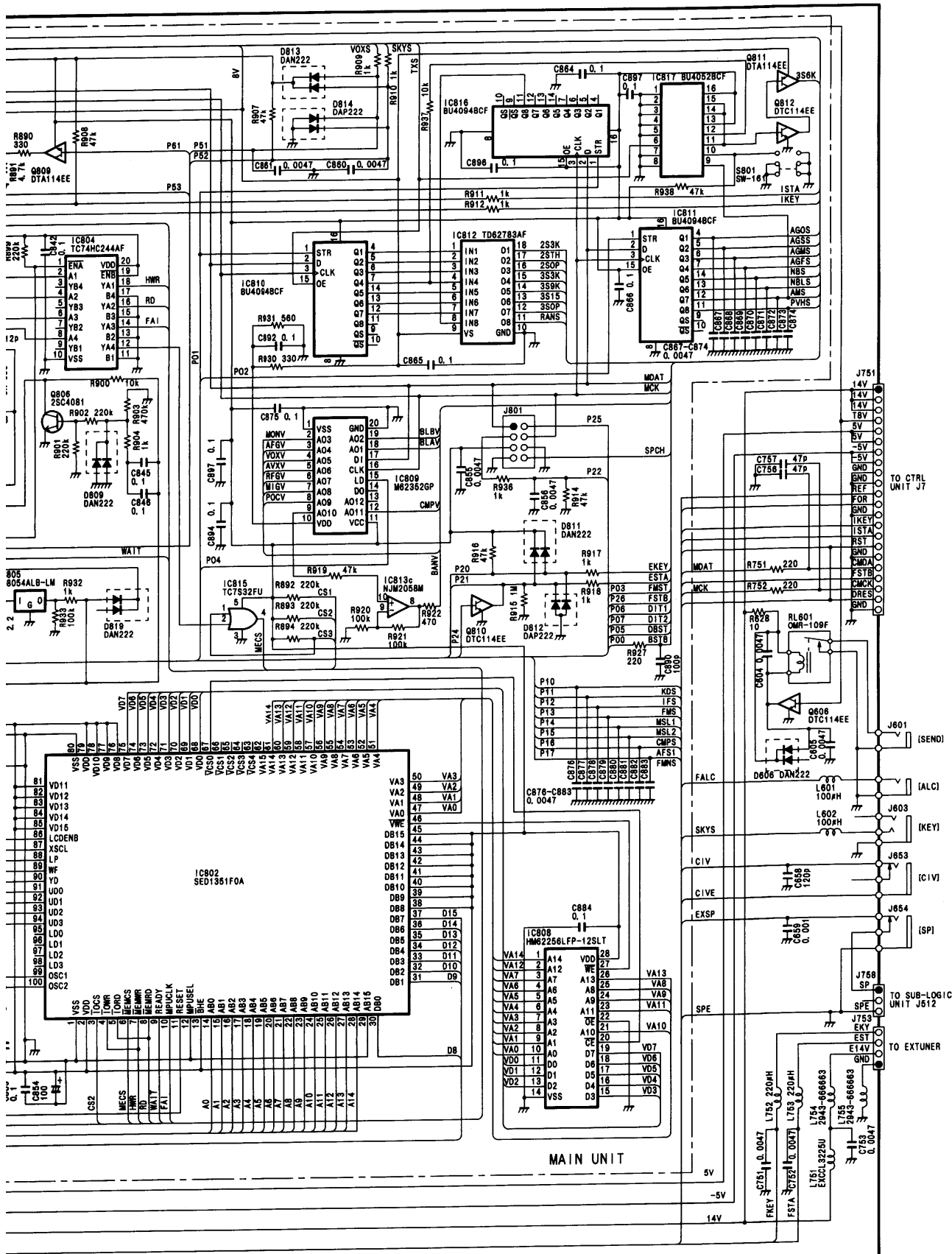


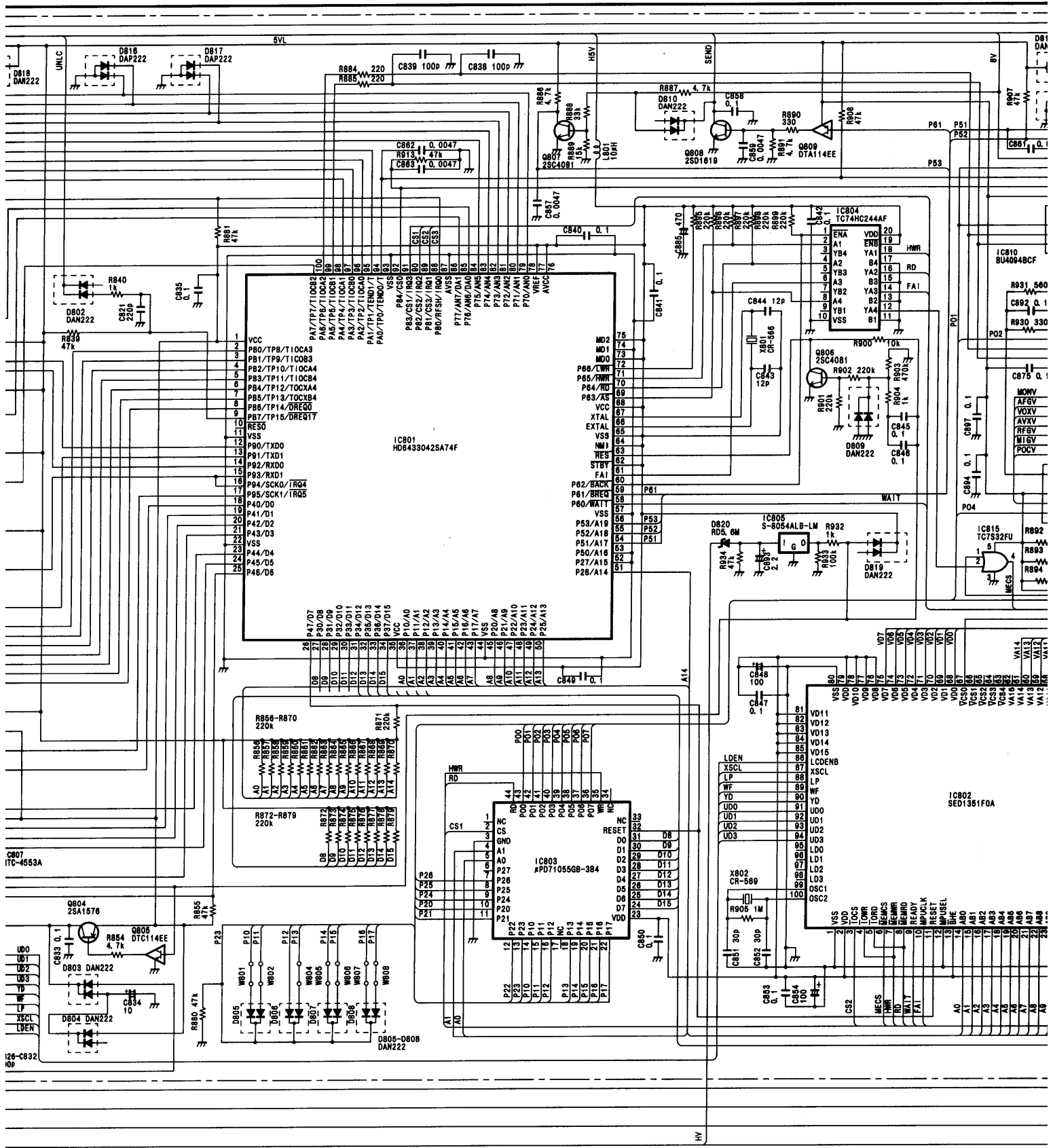












- IC801  
HD6433042SA74F
- 1 VCC
  - 2 P80/TP8/T10CA3
  - 3 P81/TP9/T10CB3
  - 4 P82/TP10/T10CA4
  - 5 P83/TP11/T10CB4
  - 6 P84/TP12/T0CX4A
  - 7 P85/TP13/T0CX8A
  - 8 P86/TP14/DREQ0
  - 9 P87/TP15/DREQ17
  - 10 RES0
  - 11 VSS
  - 12 P80/TX00
  - 13 P81/TX01
  - 14 P82/RX00
  - 15 P83/RX01
  - 16 P94/SCK0/IRQ4
  - 17 P85/SCK1/IRQ5
  - 18 P40/DO
  - 19 P41/D1
  - 20 P42/D2
  - 21 P43/D3
  - 22 VSS
  - 23 P44/D4
  - 24 P45/D5
  - 25 P46/D6

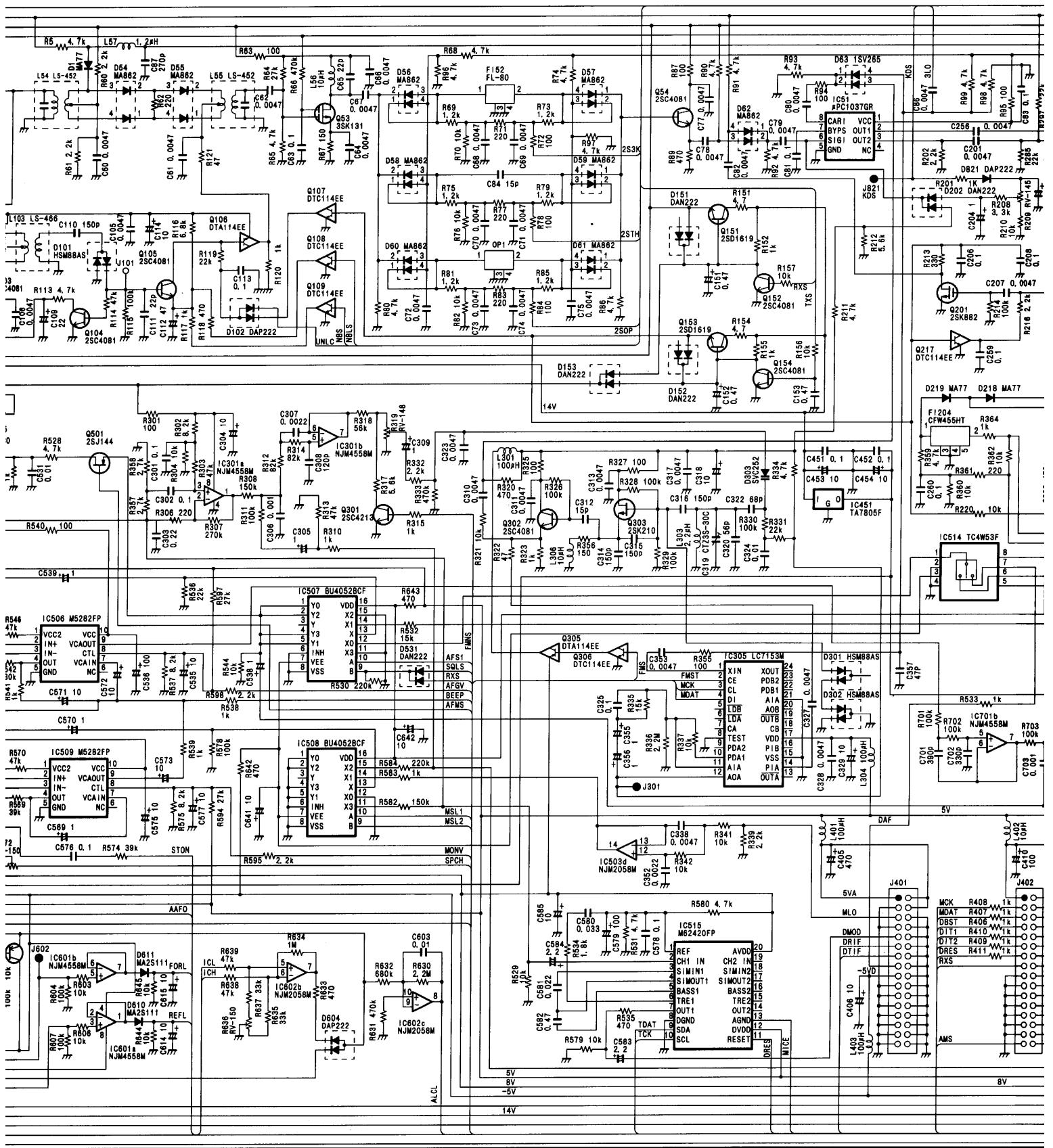
- IC803  
PD71055GB-384
- 1 P26
  - 2 P27
  - 3 P28
  - 4 P29
  - 5 P30
  - 6 P31
  - 7 P32
  - 8 P33
  - 9 P34
  - 10 P35
  - 11 P36
  - 12 P37
  - 13 P38
  - 14 P39
  - 15 P40
  - 16 P41
  - 17 P42
  - 18 P43
  - 19 P44
  - 20 P45
  - 21 P46
  - 22 P47
  - 23 P48
  - 24 P49
  - 25 P50
  - 26 P51
  - 27 P52
  - 28 P53
  - 29 P54
  - 30 P55
  - 31 P56
  - 32 P57
  - 33 P58
  - 34 P59
  - 35 P60
  - 36 P61
  - 37 P62
  - 38 P63
  - 39 P64
  - 40 P65
  - 41 P66
  - 42 P67
  - 43 P68
  - 44 P69
  - 45 P70
  - 46 P71
  - 47 P72
  - 48 P73
  - 49 P74
  - 50 P75
  - 51 P76
  - 52 P77
  - 53 P78
  - 54 P79
  - 55 P80
  - 56 P81
  - 57 P82
  - 58 P83
  - 59 P84
  - 60 P85
  - 61 P86
  - 62 P87
  - 63 P88
  - 64 P89
  - 65 P90
  - 66 P91
  - 67 P92
  - 68 P93
  - 69 P94
  - 70 P95
  - 71 P96
  - 72 P97
  - 73 P98
  - 74 P99
  - 75 P100

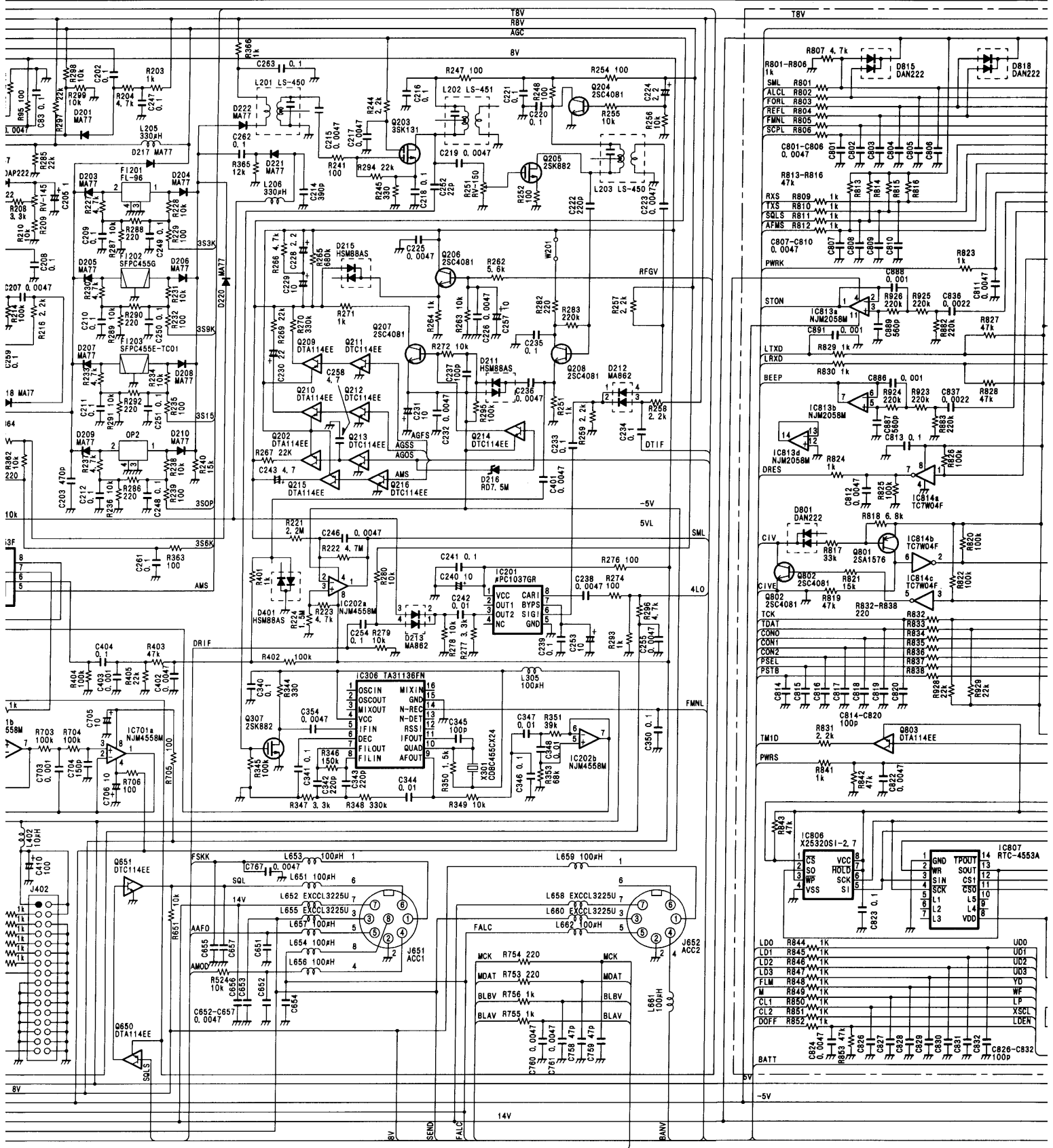
126-C832  
OP

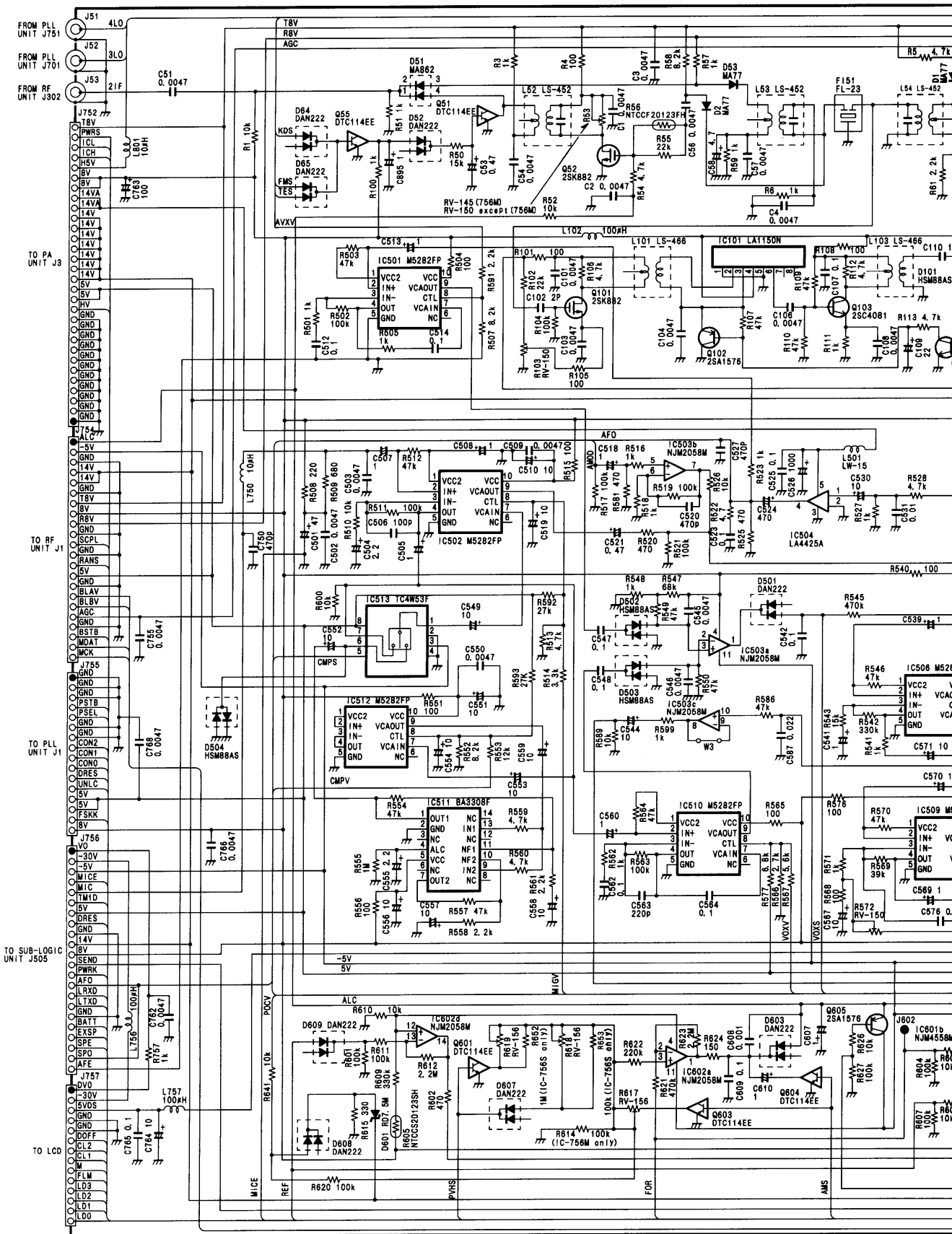
HV

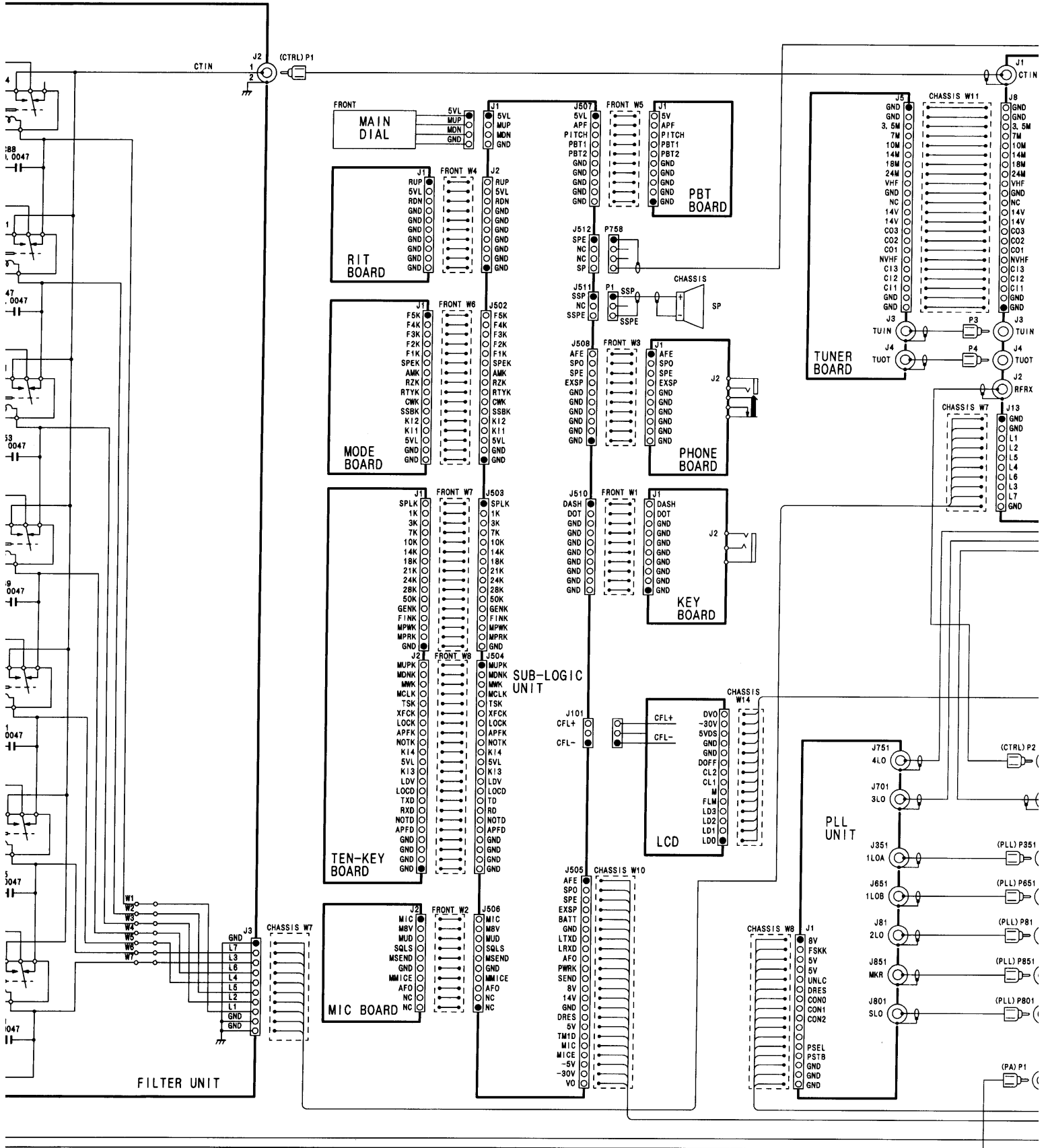
# IC-756S

## SCHEMATIC DIAGRAM





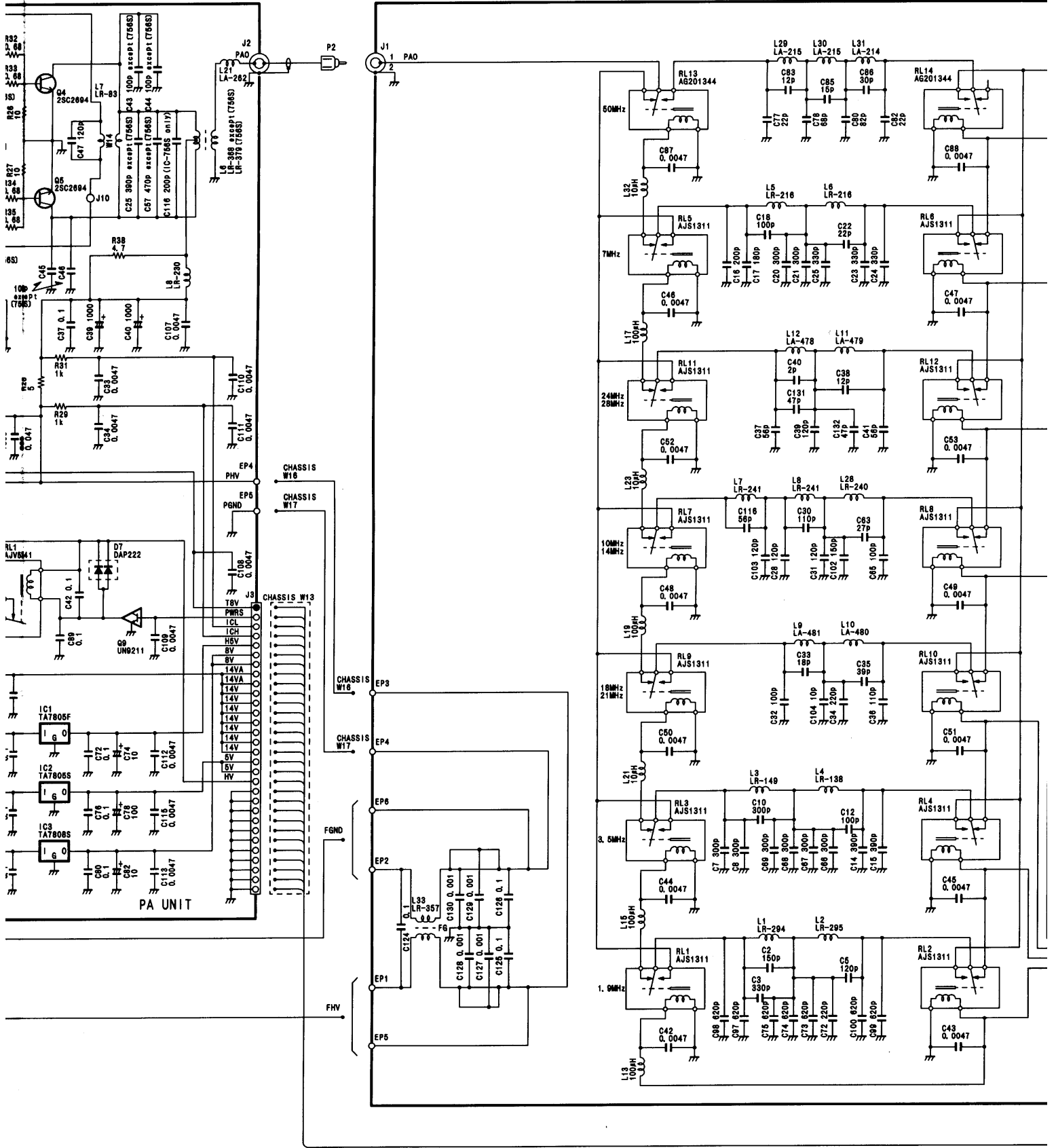


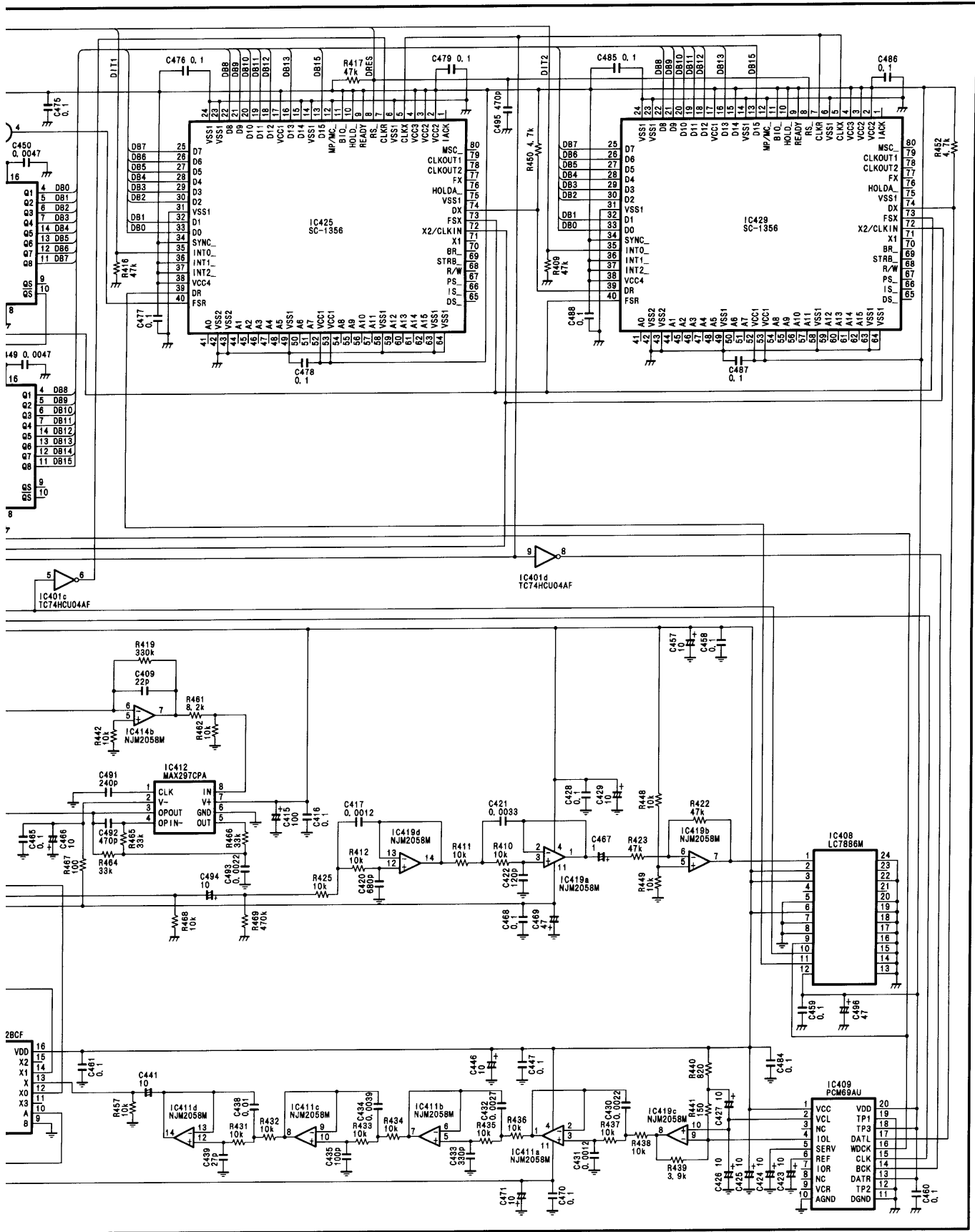


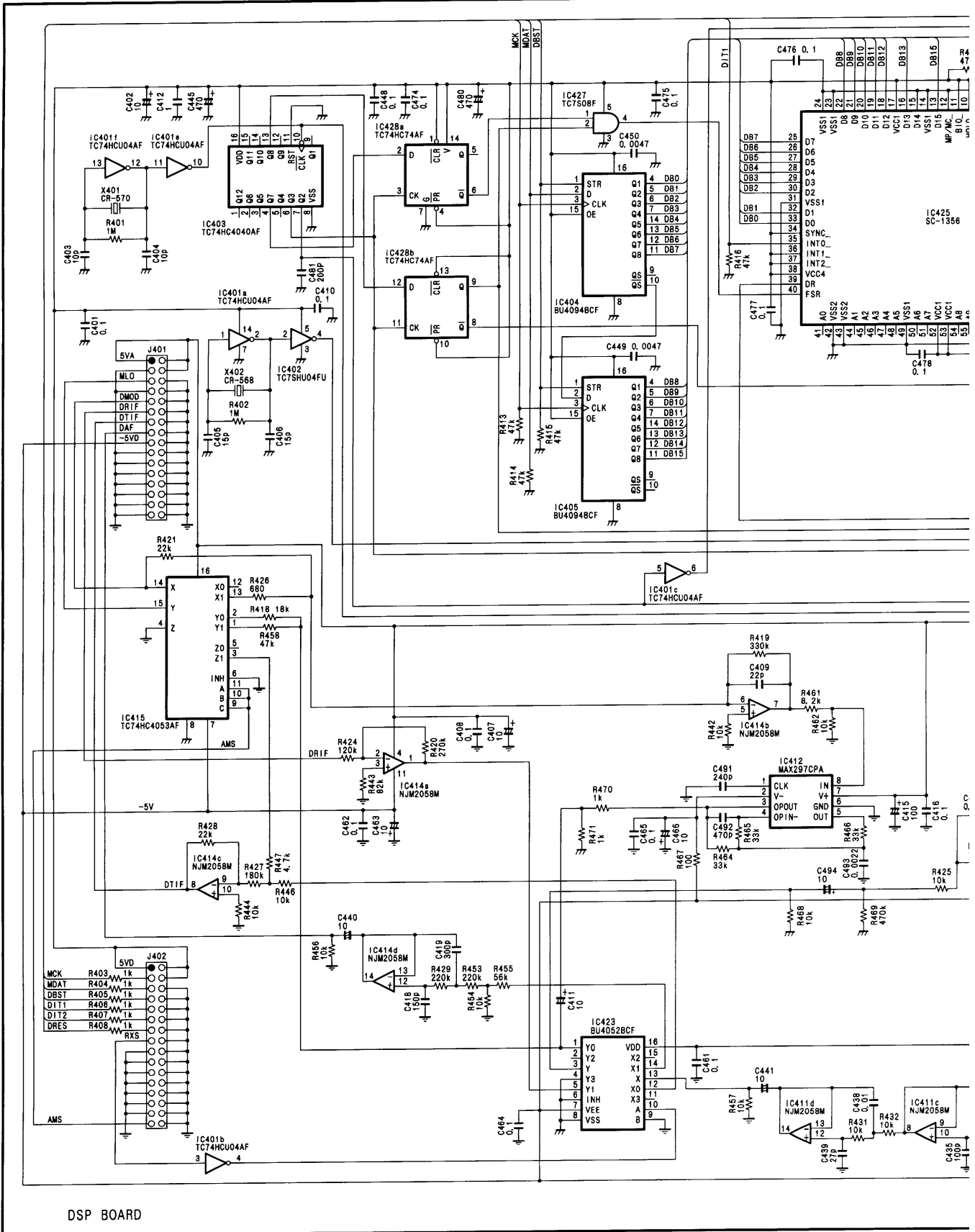
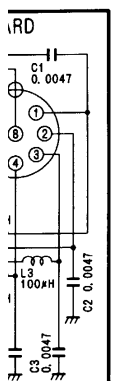
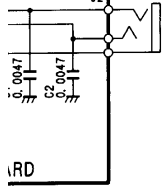
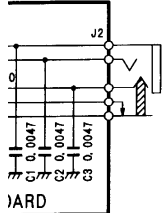
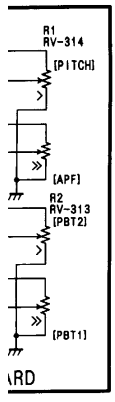


# IC-756S

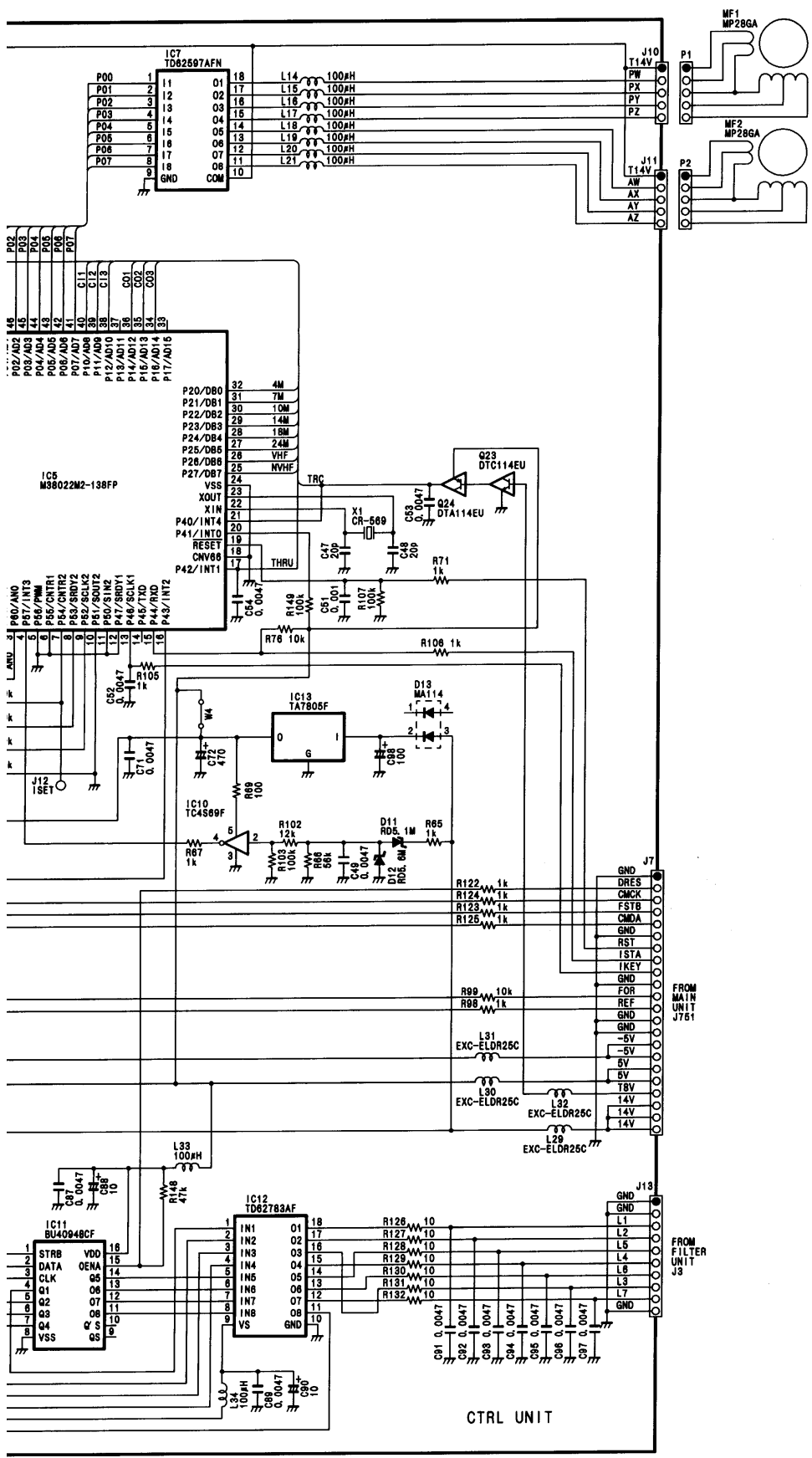
## SCHEMATIC DIAGRAM



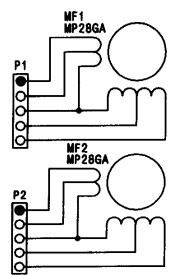




DSP BOARD

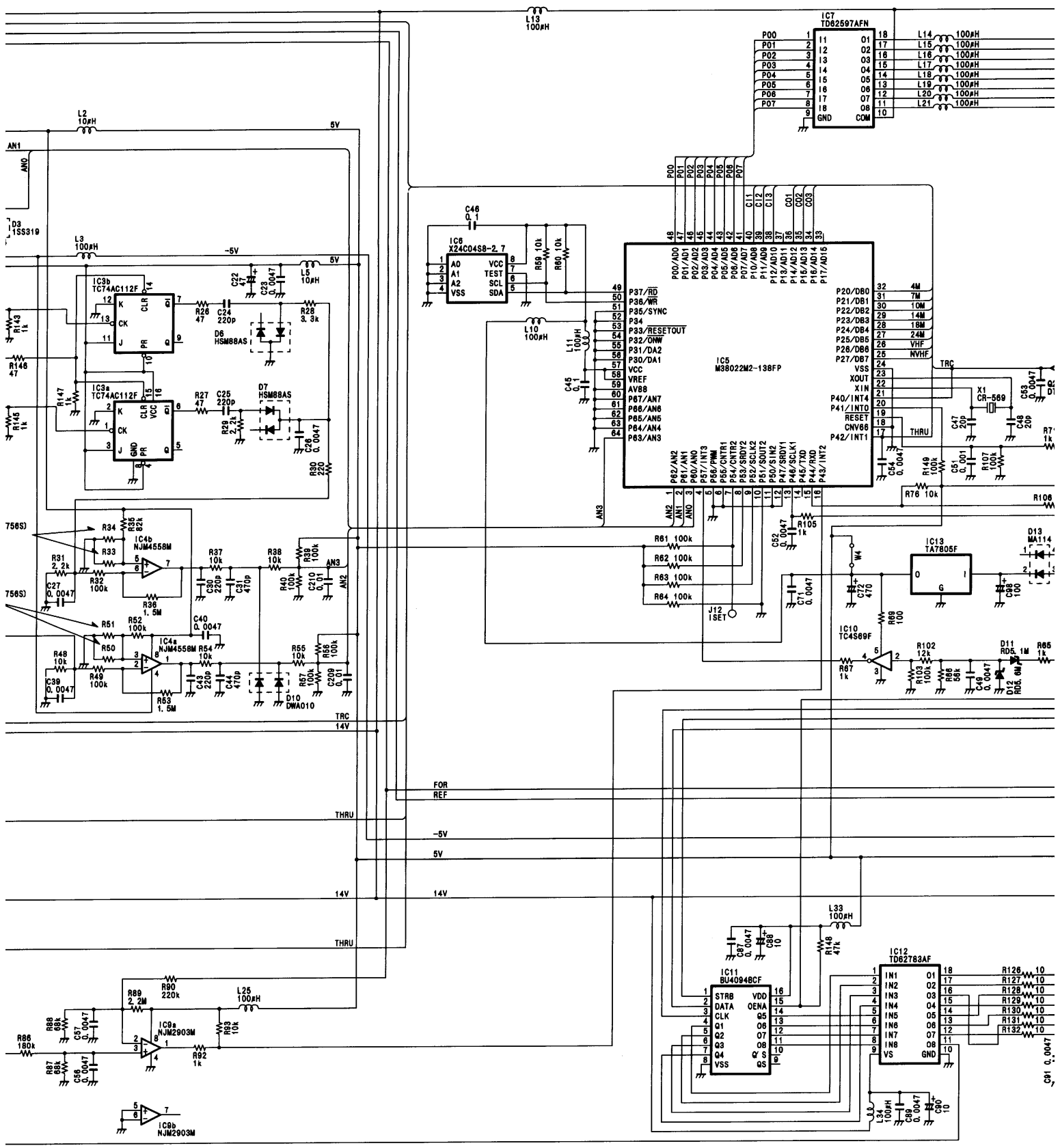


CTRL UNIT



FROM MAIN UNIT J751

FROM FILTER UNIT J3



P00	1	11	01	18	L14	100uH
P01	2	12	02	17	L15	100uH
P02	3	13	03	16	L16	100uH
P03	4	14	04	15	L17	100uH
P04	5	15	05	14	L18	100uH
P05	6	16	06	13	L19	100uH
P06	7	17	07	12	L20	100uH
P07	8	18	08	11	L21	100uH
	9	18	08			
			COM	10		

P00/AD0	48				
P01/AD1	47				
P02/AD2	46				
P03/AD3	45				
P04/AD4	44				
P05/AD5	43				
P06/AD6	42				
P07/AD7	41				
P10/AD8	39				
P11/AD9	38				
P12/AD10	37				
P13/AD11	36				
P14/AD12	35				
P15/AD13	34				
P16/AD14	33				
P17/AD15	32				
P17/AD16	31				

P20/DB0	32	4M
P21/DB1	31	7M
P22/DB2	30	10M
P23/DB3	29	14M
P24/DB4	28	19M
P25/DB5	27	24M
P26/DB6	26	VHF
P26/DB6	25	NVHF
P27/DB7	24	
VCC	23	
XOUT	22	
XIN	21	
P40/INT4	20	
P41/INT0	19	
RESET	18	
CHV86	17	
P42/INT1	16	

IN1	01	R126	10
IN2	02	R127	10
IN3	03	R128	10
IN4	04	R129	10
IN5	05	R130	10
IN6	06	R131	10
IN7	07	R132	10
IN8	08		
VS	10		
GND	11		

