



INSTRUCTIONS

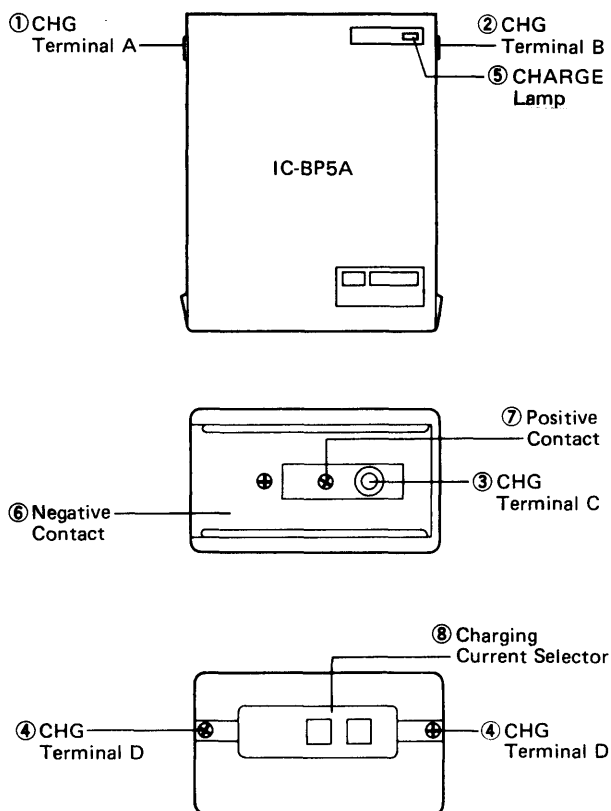
IC-BP5A

BATTERY PACK

Thank you for purchasing an optional IC-BP5A battery pack for use with your ICOM handheld transceiver. The IC-BP5A is similar to the IC-BP5 battery pack with the advantage of having several additional charging methods for increased flexibility. Wherever you operate, a fully charged IC-BP5A may be maintained easily.

To obtain maximum performance from your handheld while using the IC-BP5A, please read this instruction sheet closely and, in particular, note the points under PRECAUTIONS.

■ IC-BP5A VIEWS



① CHG (Charger) Terminal A

This terminal is for charging with a wall charger. Charging period is about 15 hours.

② CHG (Charger) Terminal B

This terminal is for charging with an external DC power source. A 12 volt car battery may be used as a DC power source with the optional IC-CP1 Cigarette Lighter Cable. Charging period is about 15 hours.

③ CHG (Charger) Terminal C

This terminal is not used on the IC-BP5A.

④ CHG (Charger) Terminals D

These are the positive and negative contacts for an AC Desk Top Charger.

⑤ CHARGE Lamp

This lamp lights while the IC-BP5A charges through CHG terminals A or B. When the battery pack charges with an AC Desk Top Charger, this lamp does not light.

⑥ Negative Contact

This contact is connected to the negative pole of the internal battery, and contacts the negative terminal (chassis) of the transceiver when the IC-BP5A is attached to a transceiver.

⑦ Positive Contact

This contact is connected to the positive pole of the internal battery, and contacts the positive terminal of the transceiver when the IC-BP5A is attached to a transceiver.

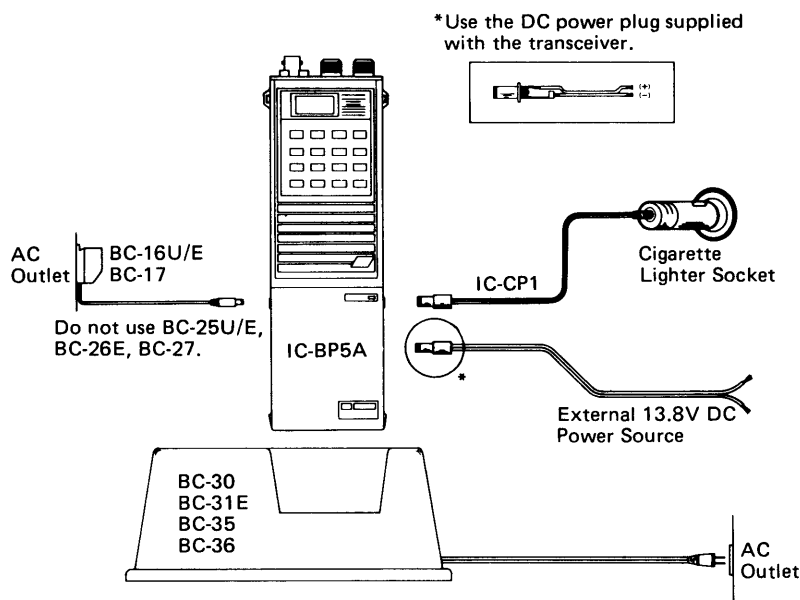
⑧ Charging Current Selector

This selects the proper charging current automatically when the battery pack is inserted into an AC Desk Top Charger.

■ CHARGER CONNECTIONS

● Charging Period

Charger	Time (hours)
BC-16E BC-16U BC-17	15
BC-30 BC-31E BC-35 BC-36	1.5
IC-CP1	15
External DC Power Source	15



■ BATTERY SPECIFICATIONS

Internal Cells	: N-450AR x 9
(Capacity)	(425mAH)
Voltage	: 10.8V
Charging Current	: Desk Top Charger 600mA Wall Charger 125mA
Ambient Temperature	: +10°C ~ +40°C
Overcharge Protected	: Yes (when using Desk Top Chargers)

BATTERY PACK NOTE:

The full charge capacity of NiCd batteries may be reduced if repeatedly charged with only partial discharge periods. This is called the battery memory effect. If the battery capacity seems lower than when new, discharge the pack completely through normal use, then charge fully using the proper charger.

■ PRECAUTIONS

1. Use the proper charger to charge the IC-BP5A. DO NOT attempt to use a charger other than the ones suggested, and use only one CHG terminal at a time.
2. It is possible to charge the IC-BP5A while it is attached to a transceiver, but ensure the transceiver's power switch is turned off.
3. When charging the IC-BP5A while it is disconnected from a transceiver, prevent the terminals on the top of the pack from being shorted. Use the insulator strip provided to guard against shorting.
4. When purchased, or if the IC-BP5A has not been charged for two months or longer, it is best to charge it fully before use.
5. Avoid continuous charging once the IC-BP5A is fully charged. Excessive charging reduces the efficiency of the battery pack.
6. The charging current selector is located on the bottom of the IC-BP5A. This selects the proper charging current for this pack, therefore DO NOT cover the selector's holes or take the selector plate off.

ICOM INCORPORATED

1-6-19, KAMIKURATSUKURI, HIRANO-KU,
OSAKA 547, JAPAN