

ER-202 Schematic

SPECIFICATIONS

Frequency Range

540 — 1605 kc
1.6 — 4.8 Mc
4.8 — 14.5 Mc
10.5 — 30 Mc
142 — 148 Mc



Band Spread

(Direct reading calibration on Ham Bands)

3.5 Mc	3.5 — 4.0 Mc
7 Mc	7.0 — 7.35 Mc
14 Mc	14.0 — 14.4 Mc
21 Mc	21.0 — 21.5 Mc
28 Mc	28.0 — 30 Mc

(Markings every 5 kc on 80 and 40 meter bands)

Sensitivity

3.0 microvolts for 10 db S/N ratio at 10 Mc

Selectivity

Without Q Multiplier: over 65 db at 10 kc
With Q Multiplier: Variable from -74 db to
-95 db at ± 10 kc.

Output

1.5 watts

Power Source

220 volt, 50 to 60 cps AC

Power Consumption

65 watts

Tubes

6AQ8 ✓ VHF amplifier
6AU6 ✓ VHF Mixer
6AQ8 ✓ VHF Oscillator
6BA6 ✓ RF Amplifier
6BE6 ✓ Mixer
6AQ8 × Local Oscillator
6BA6 ✓ (× 2) IF Amplifier
6AL5 ✓ AM detector, Automatic Noise Limiter
6BE6 ✓ Product Detector
Gated Beam Detector
6AQ8 ✓ Audio Amplifier, BFO
6AQ5 ✓ Audio output
6AQ8 ✓ Q Multiplier, Marker Oscillator
6CA4 ✓ Rectifier
0A2/VR-150MT — Voltage Regulator tube
1N60 —

Speaker

PM dynamic, 8 ohm voice coil, without output transformer

Dimensions

Width 17", Height 7 $\frac{5}{8}$ ", Depth 10 $\frac{1}{8}$ "
(inches)

Weight

23.5 lbs.

Auxiliary Circuits

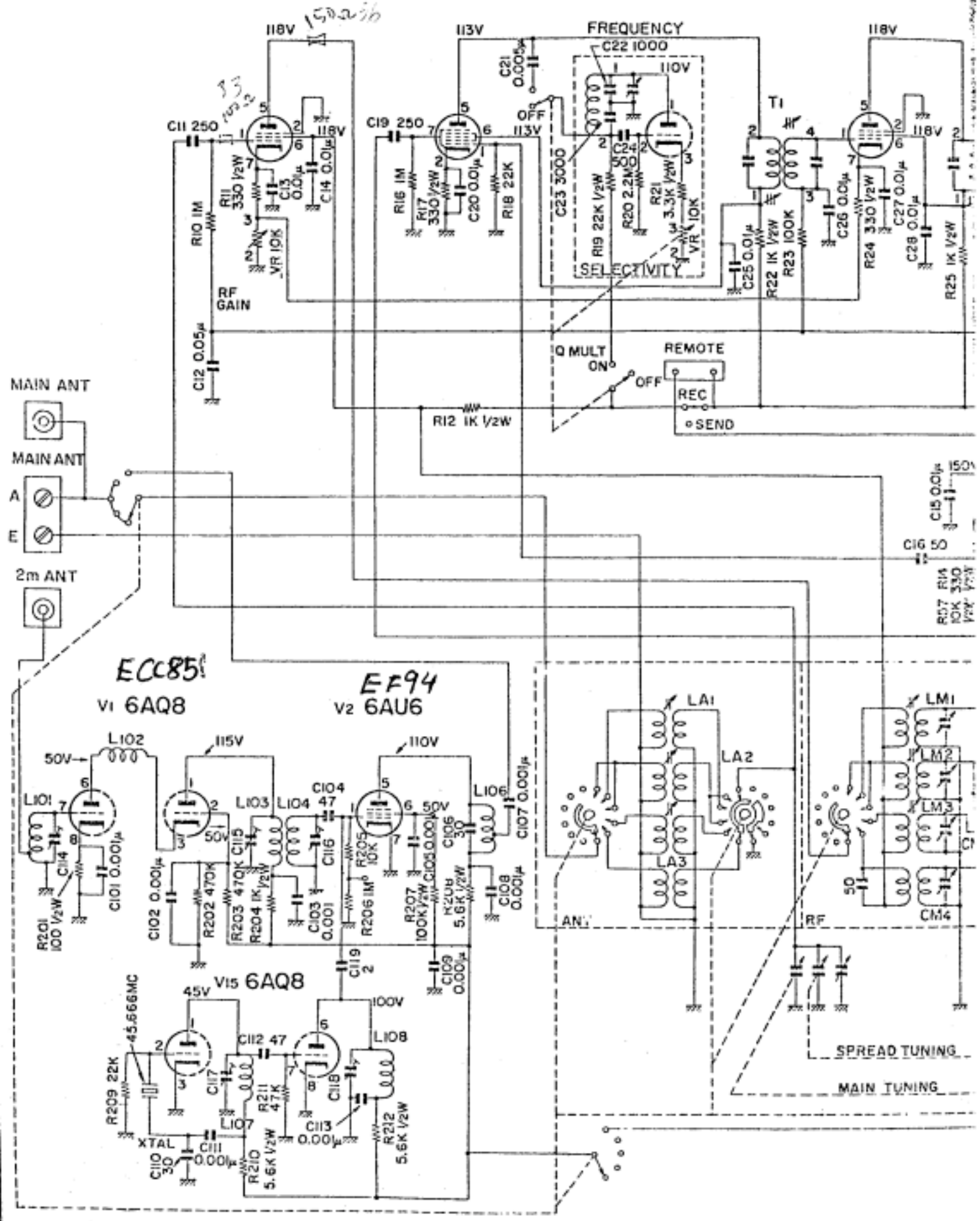
Band Spread Tuning
Q Multiplier for Variable Selectivity
ANL Automatic Noise Limiter
AVC-MVC (Automatic and Manual Volume Control)
Product Detector (for SSB — CW)
Gated Beam Detector (for FM)
Marker Oscillator
S-Meter
BFO
Recording tap circuit terminals
Phone Jack Plug

EF93
v3 6BA6

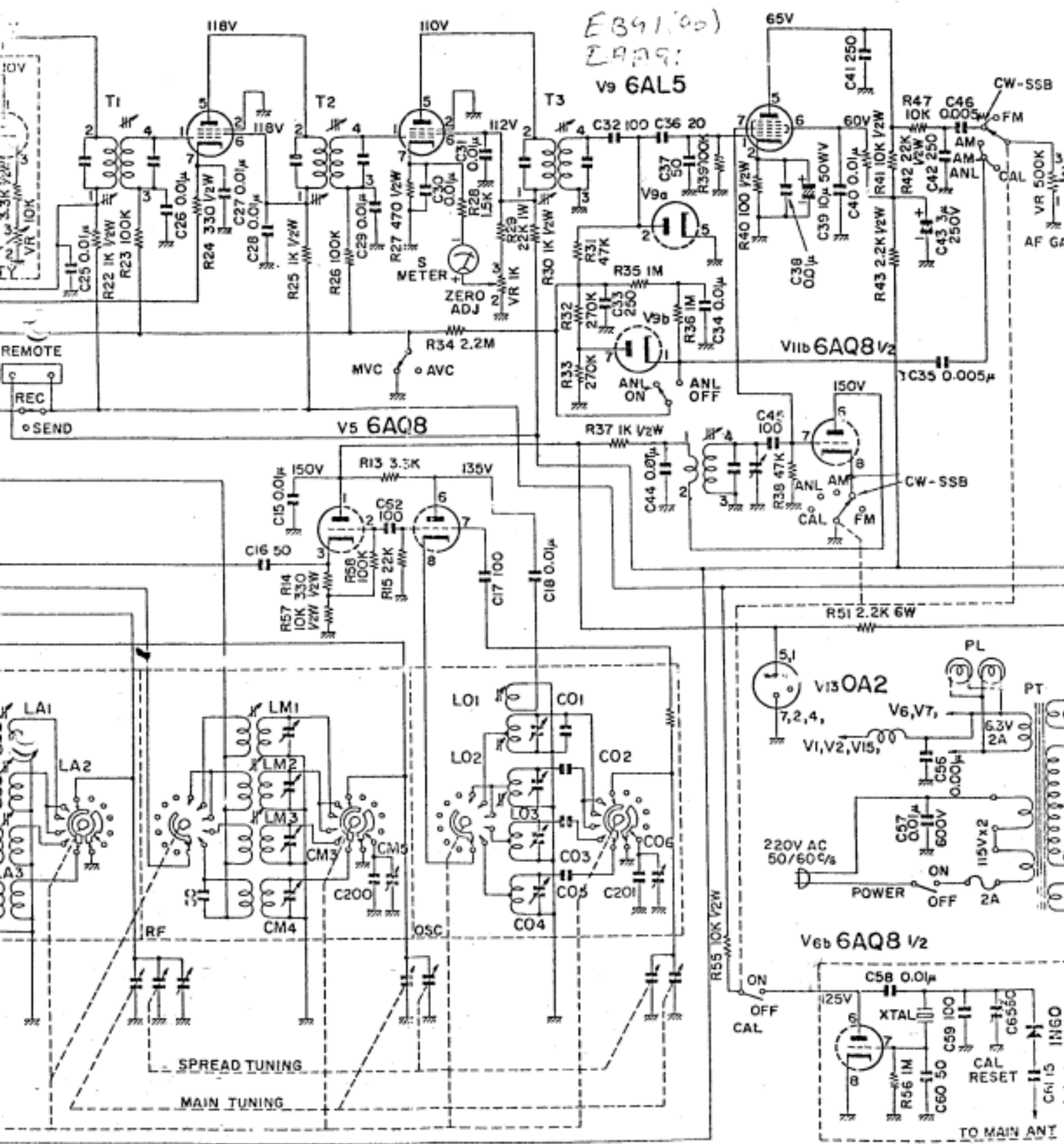
EK90
v4 6BE6

ECC85
v6 6AQ8 1/2

v7 6BA6



E39100
2A99:
V9 6AL5



REMOTE
REC
SEND

MVC
AVC

V5 6AQ8

V11b 6AQ8 1/2

V6b 6AQ8 1/2

SPREAD TUNING

MAIN TUNING

V13 0A2

POWER OFF ON

TO MAIN ANT

V10 6BE6

V11a 6AQ8 V2

V12 6AQ5

FL90

E391(00)
EPA91

V9 6AL5

