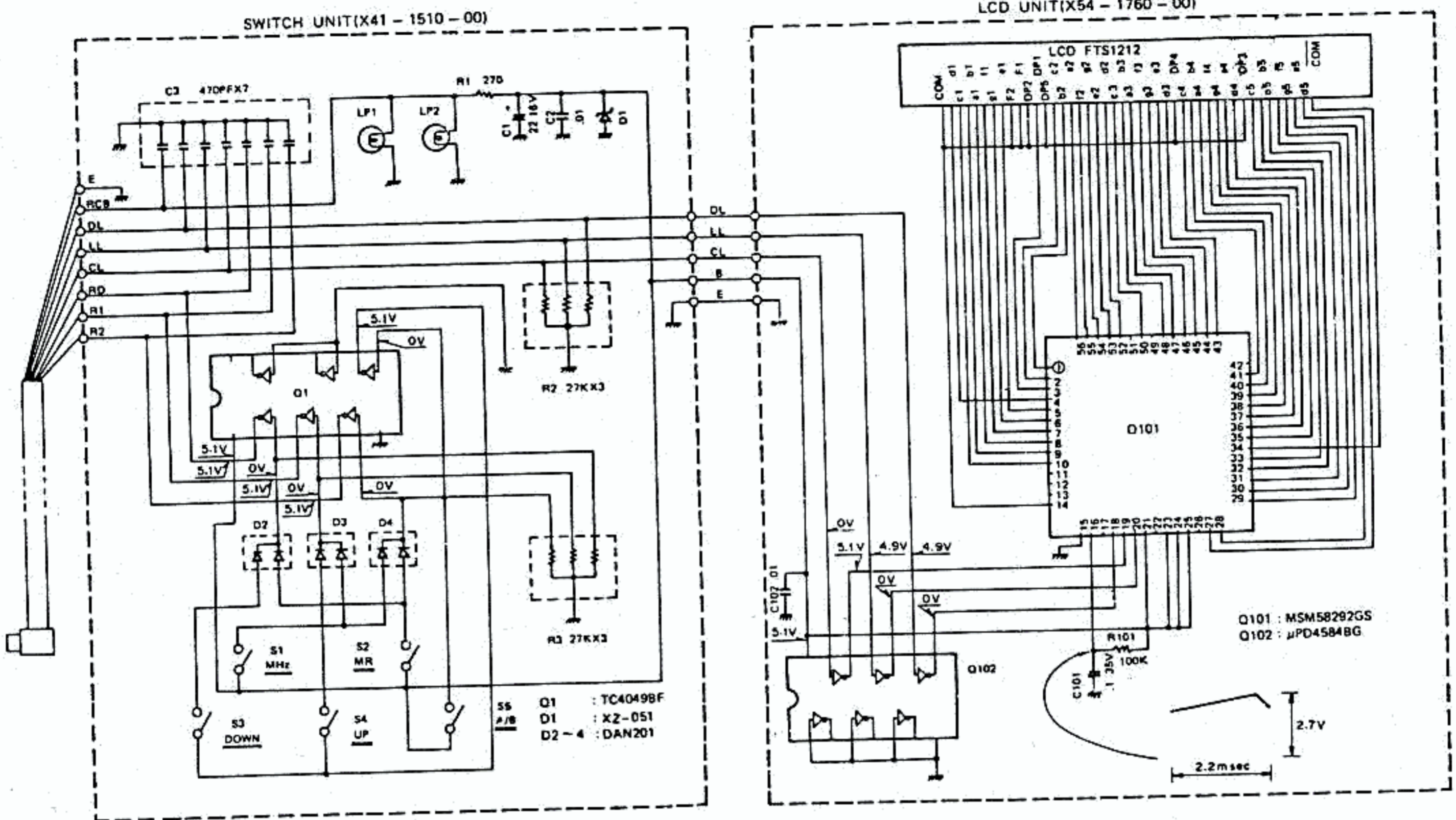


A

B

C

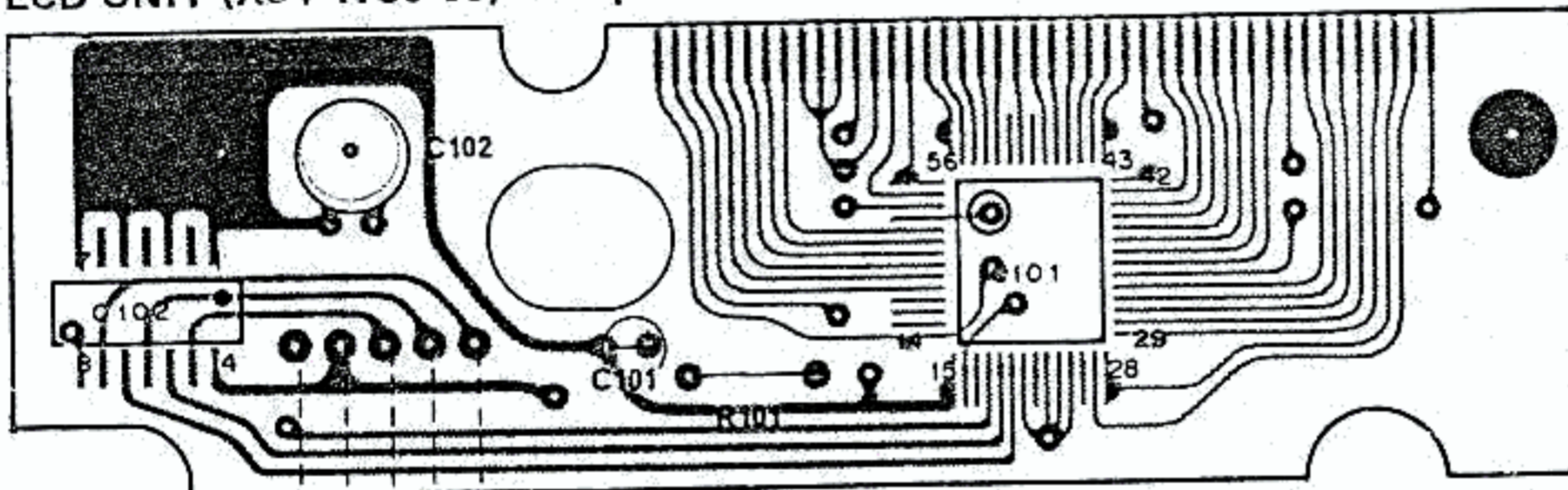
D



2

3

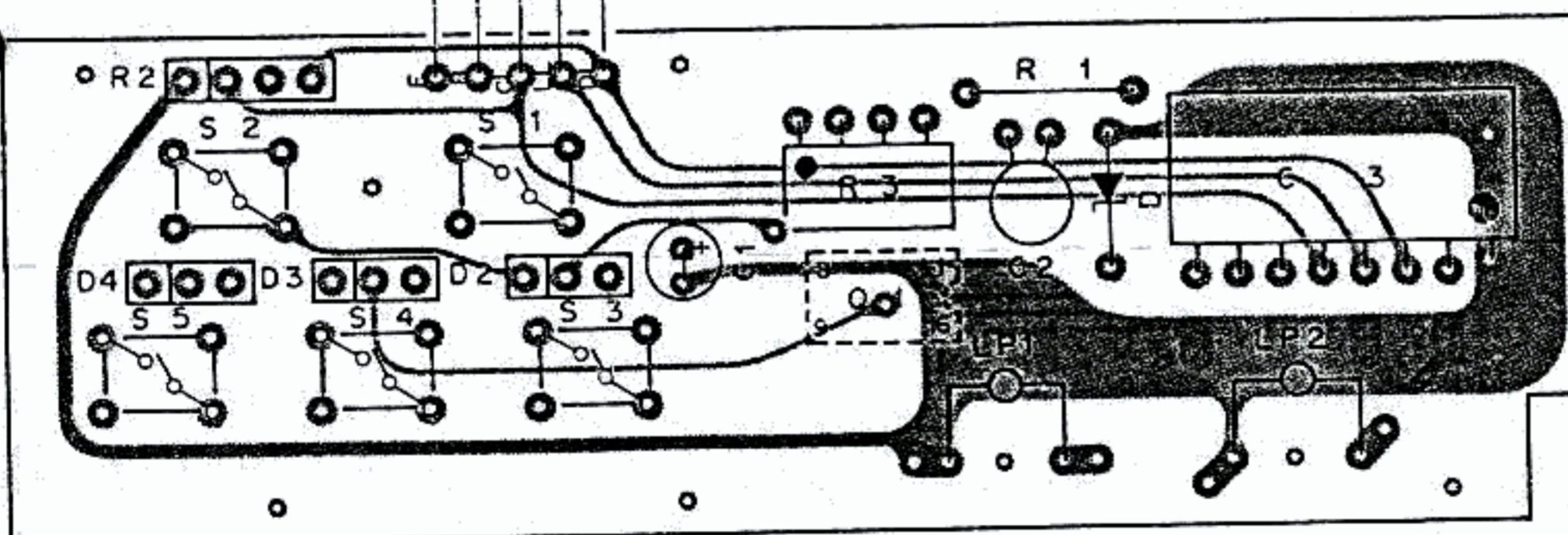
LCD UNIT (X54-1760-00) Component side view



SCHEMATHEEK  
Beh. T. Hultermans  
Postbus 4228  
5604 EE Eindhoven

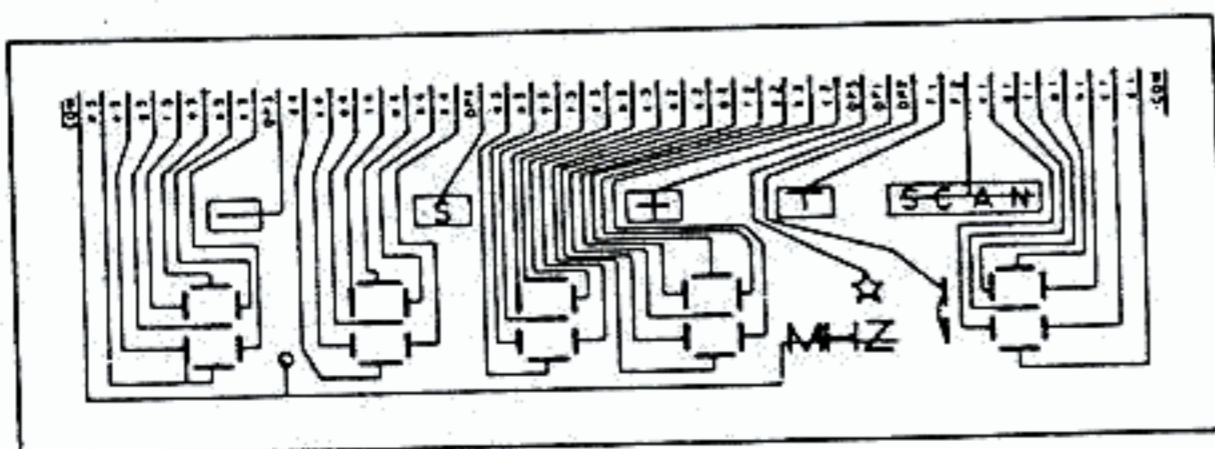
5

SWITCH UNIT (X41-1510-00) Foil side view

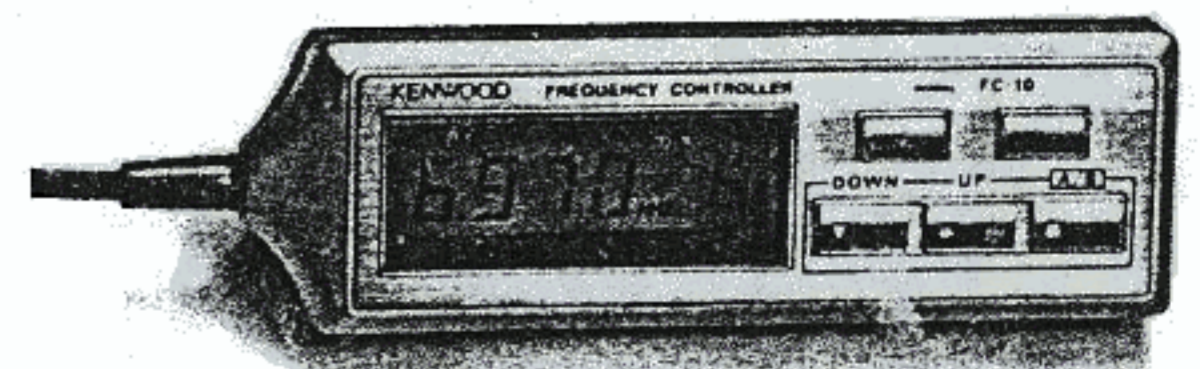


SPECIFICATIONS

Dimensions: W112mm (4-13/32") x H35mm  
(1-11/32") x D22.5mm (29/32")  
Weight: 100g  
Cable length: 1.5m



LCD FTS1212



6

FC10

FC-10