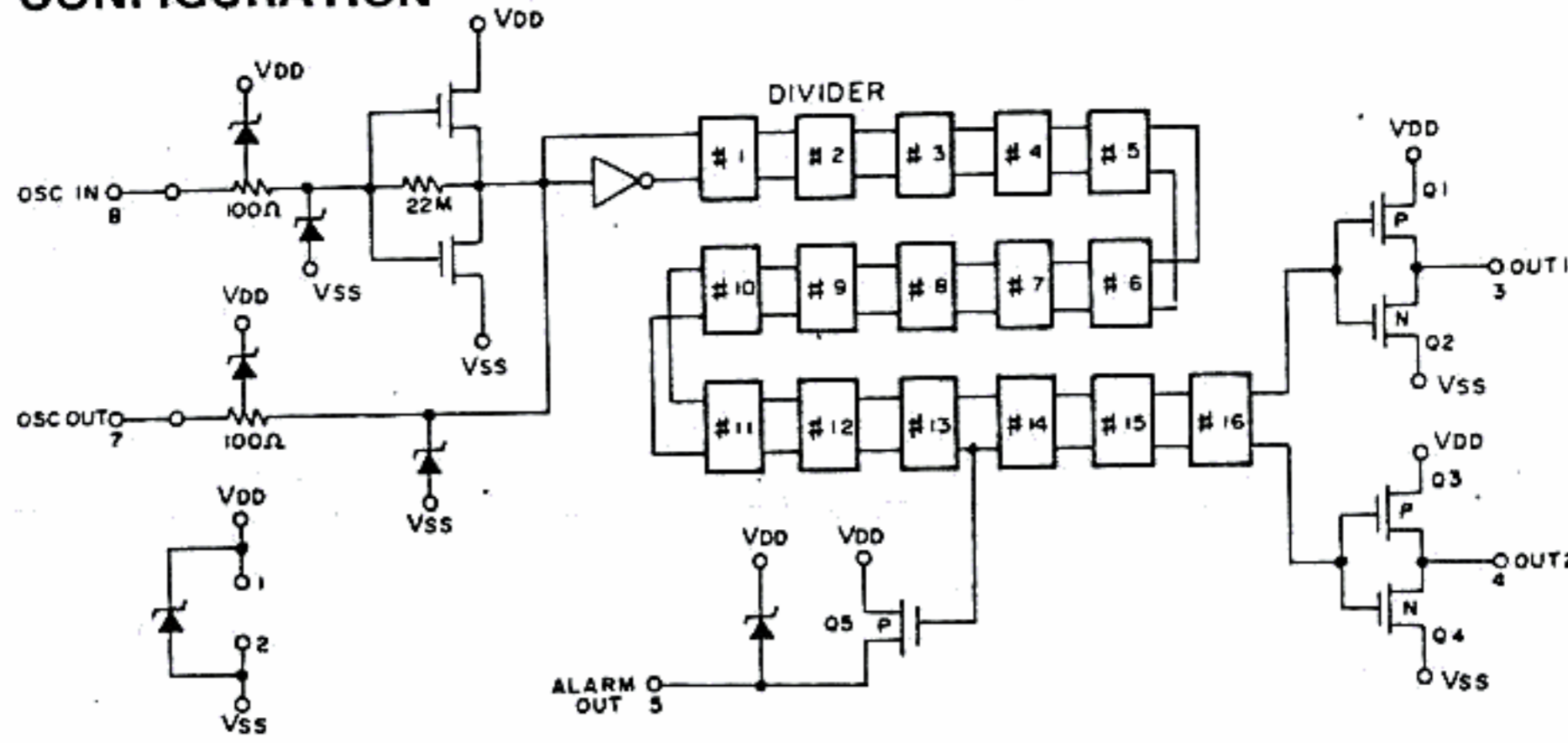
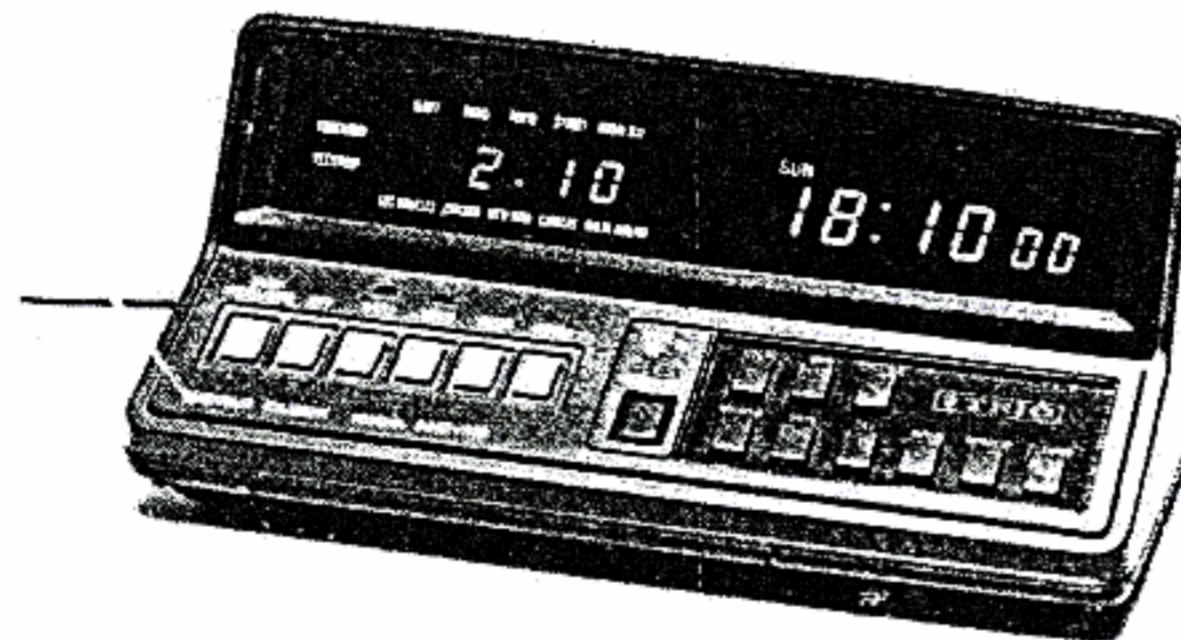
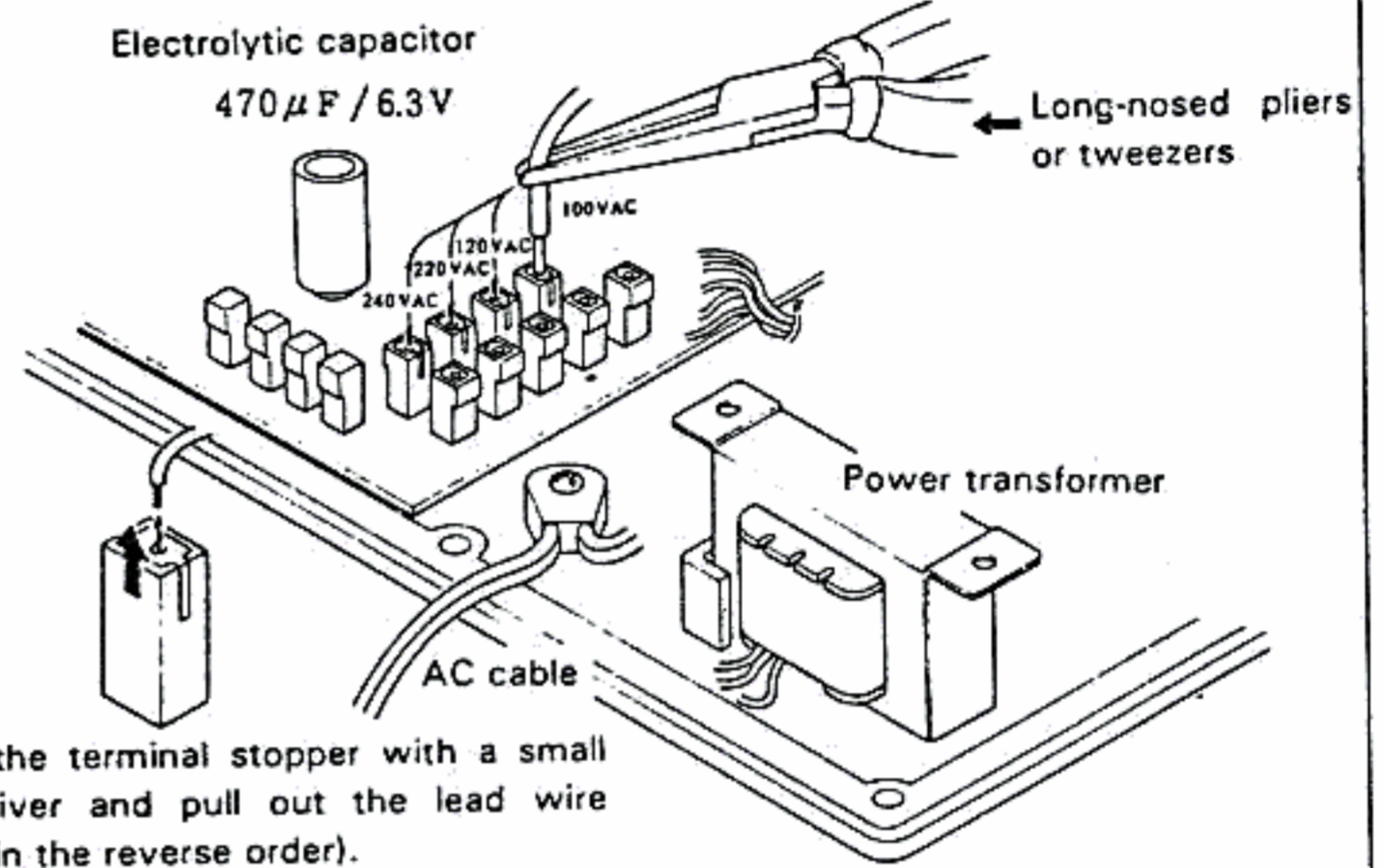


SM5501 CIRCUIT CONFIGURATION



• CHANGING THE POWER VOLTAGE

The HC-10 can be used with any power supply. Change the power supply voltage as shown in the figure on the right. As the HC-10 is not equipped with a fuse, pull out the AC cable before switching the power voltage.



SCHEMATHEEK
Beh. T. Hultermans
Postbus 4228
5604 EE Eindhoven

SPECIFICATIONS

Voltage Requirements ... 100V AC

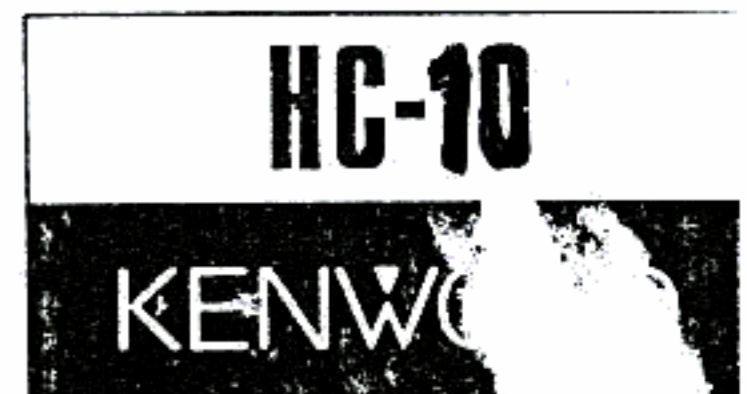
Frequency 50Hz, 60Hz common use

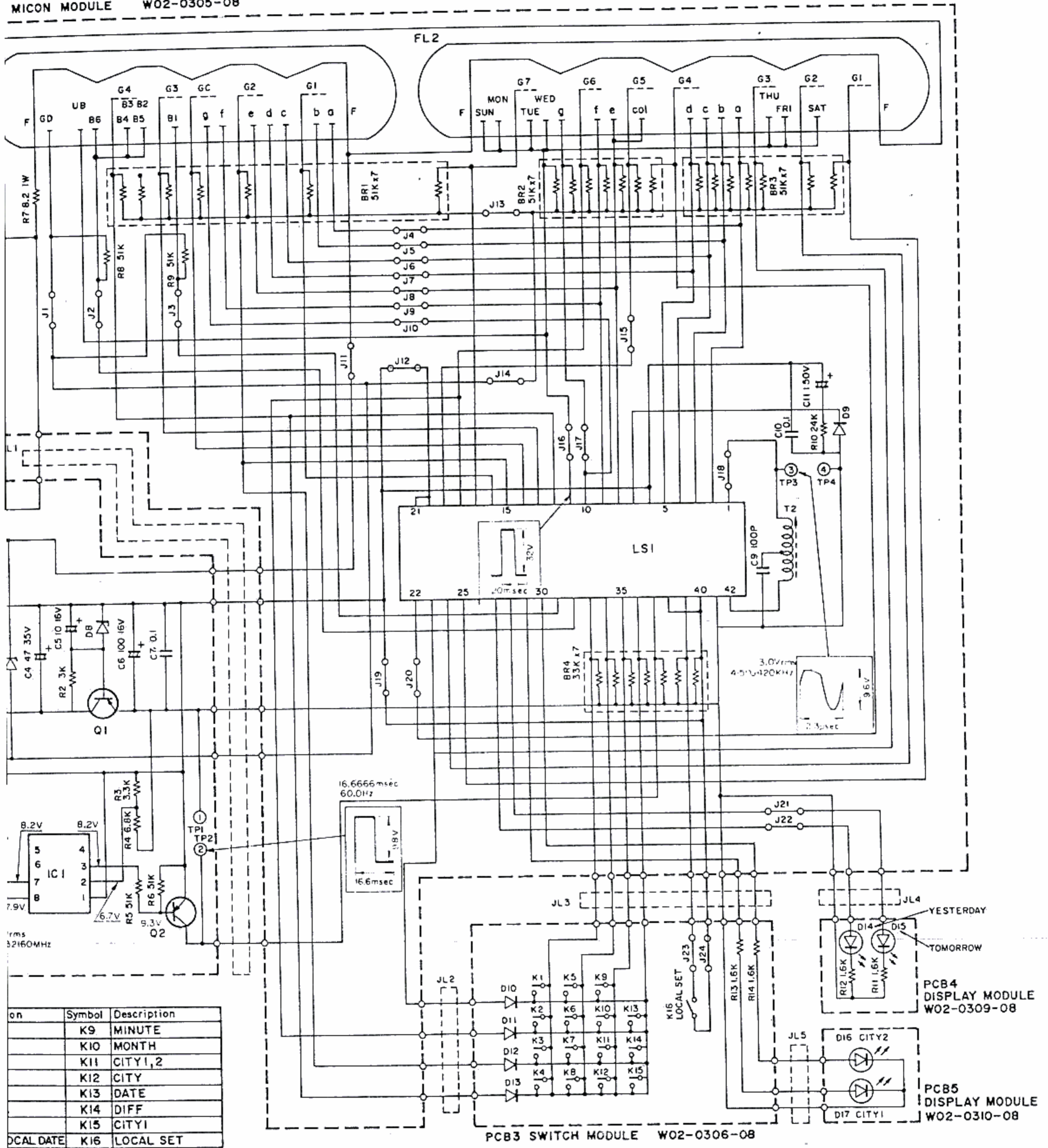
Power Consumption ... 5W

Time Accuracy ± 15 seconds max. per month (room temp. 25°C)

Dimensions 216 wide (8-1/2")
× 97 high (3-13/16")
× 118 deep (4-5/8")

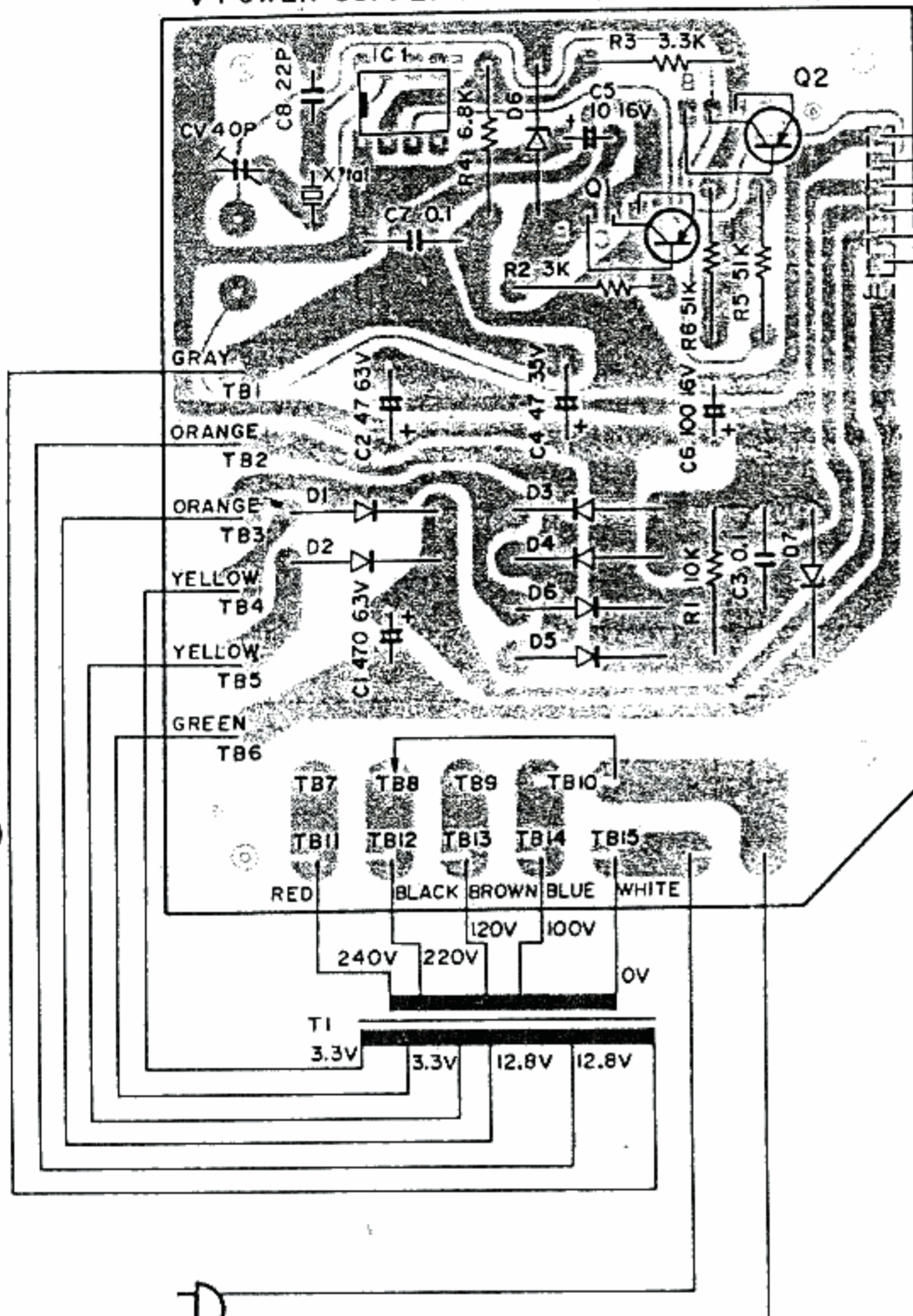
Weight 1kg





SCHEMATHEEK
 Beh. T. Hultermans
 Postbus 4228
 5604 EE Eindhoven

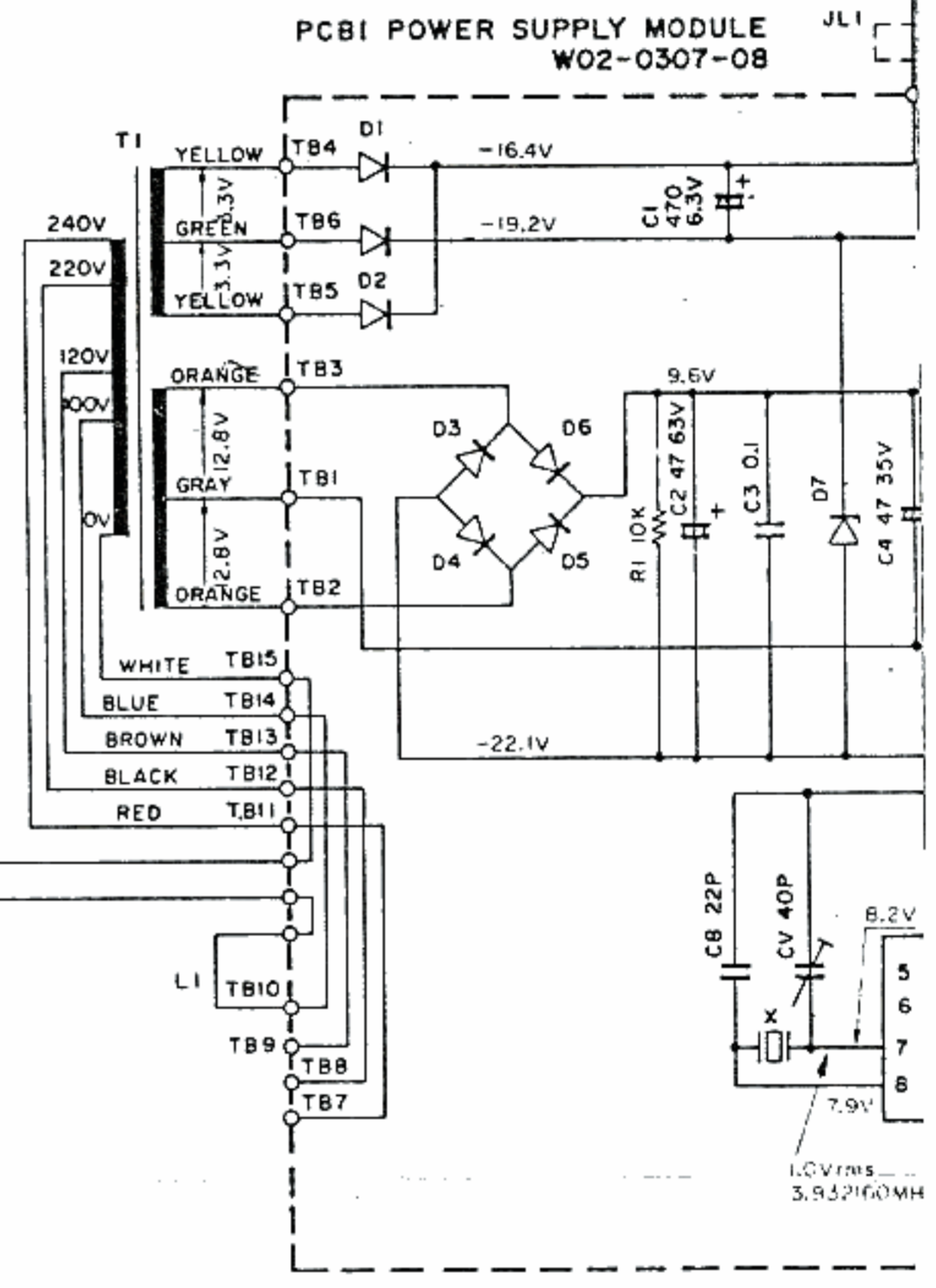
(COMPONENT SIDE VIEW)
▼ POWER SUPPLY MODULE (W02-0307-08)



D1-D6,9	S5277D	LS1	μPD553C 032
D10-D13	ISS54	IC1	SM5501A
D7	RD3.9EB	FL1	4-MT-03
D8	RD11EB	FL2	6-LT-43
D14,D15	SLP-131B	Q1	2SA634
D16,D17	SLP-141B	Q2	2SA733

AC 50/60Hz

AC 50/60Hz



4-MT-03

Pins No.	1	2	3	4	5	6	7	8	9	10	11	12	13	14	15	16	17	18	19	20	21	22	23	24	25
Electrodes	F	GD	NC	G4	UB	B6	G4	B2	B3	G3	B1	NP	NP	Gc	g	f	G2	e	d	c	G1	b	a	NP	F
								B4								cd1		cd2							
								B5																	

6-LT-43

Pins No.	1	2	3	4	5	6	7	8	9	10	11	12	13	14	15	16
Electrodes	F	Nc	SUN	MON	G7	TUE	WED	Nc	g	G6	f	e	G5	col	Dp	G4
Pins No.	17	18	19	20	21	22	23	24	25	26	27	28	29	30	31	32
Electrodes	d	c	b	a	G3	Nc	THU	FRI	G2	SAT	Nc	o	G1	Np	F	

Symbol	Description
K1	DAY
K2	MEMO
K3	CITY2
K4	SECOND
K5	HOUR
K6	RECALL
K7	LOCAL
K8	START/LOCAL DV

