

KENWOOD

Hear it All!



R-5000 R-2000 High performance receivers

Scan the world bands with Kenwood's R-5000, R-2000 and RZ-1. Listen in on foreign music, news, and commentary. Monitor local police, fire, and other public safety services, as well as the Marine channels, and the many other services.

(The VHF converter options must be used in the R-5000 and R-2000.)

R-5000

The R-5000 is a high performance, top-of-the-line receiver, with 100 memory channels, and direct keyboard or main dial tuning—makes station selection



The R-2000 is an all band, all mode receiver with 10 memory channels and many deluxe features such as programmable scanning, dual 24-hour clocks with timer, all-mode squelch and noise blankers, a large, front-mounted speaker, 110 volt AC or 12 volt DC operation (with the DCK-1 cable kit), and 118-174 MHz VHF capability with VC-10 option.

Optional Accessories

- R-2000:**
- VC-10 VHF converter
 - DCK-1 DC cable kit for 12 volt DC use.

R-5000:

- VC-20 VHF converter
- VS-1 Voice module
- DCK-2 for 12 volt DC operation
- YK-88A-1 AM filter
- YK-88SN SSB filter
- YK-88C CW filter
- MB-430 Mounting bracket.

Other Accessories:

- SP-430 External speaker
- SP-41 Compact mobile speaker
- SP-50B Mobile speaker
- HS-5 Deluxe headphones
- HS-6 Lightweight headphones

super easy! Other useful features include programmable scanning, large, built-in speaker, 110 volt AC or 12 volt DC operation (with optional DCK-2 cable), VHF capability (108-174 MHz) with the VC-20 option, dual 24-hour clocks with timer, and even voice frequency readout with the VS-1 option.

RZ-1 Wide-band scanning receiver



The RZ-1 wide-band, scanning receiver covers 500 kHz-905 MHz, in AM, and narrow or wideband FM. The automatic mode selection function makes listening

easier. One hundred memory channels with message and band marker, direct keyboard or VFO frequency entry, and versatile scanning functions, such as memory channel and band scan, with four types of scan stop. The RZ-1 is a 12 volt DC operated, compact unit, with built-in speaker, front-mounted phones jack, squelch for narrow FM, illuminated keys, and a "beeper" to confirm keyboard operation.

- Optional Accessory**
- PG-2N Extra DC cable

KENWOOD U.S.A. CORPORATION
COMMUNICATIONS & TEST EQUIPMENT GROUP
P.O. BOX 22745, 2201 E. Dominguez Street
Long Beach, CA 90801-5745
KENWOOD ELECTRONICS CANADA INC.
P.O. BOX 1075, 959 Gana Court
Mississauga, Ontario, Canada L4T 4C2

KENWOOD

...pacesetter in Amateur Radio
CIRCLE NO. 1 ON FREE INFORMATION CARD

Specifications, features, and prices are subject to change without notice or obligation.

JAN 1 3

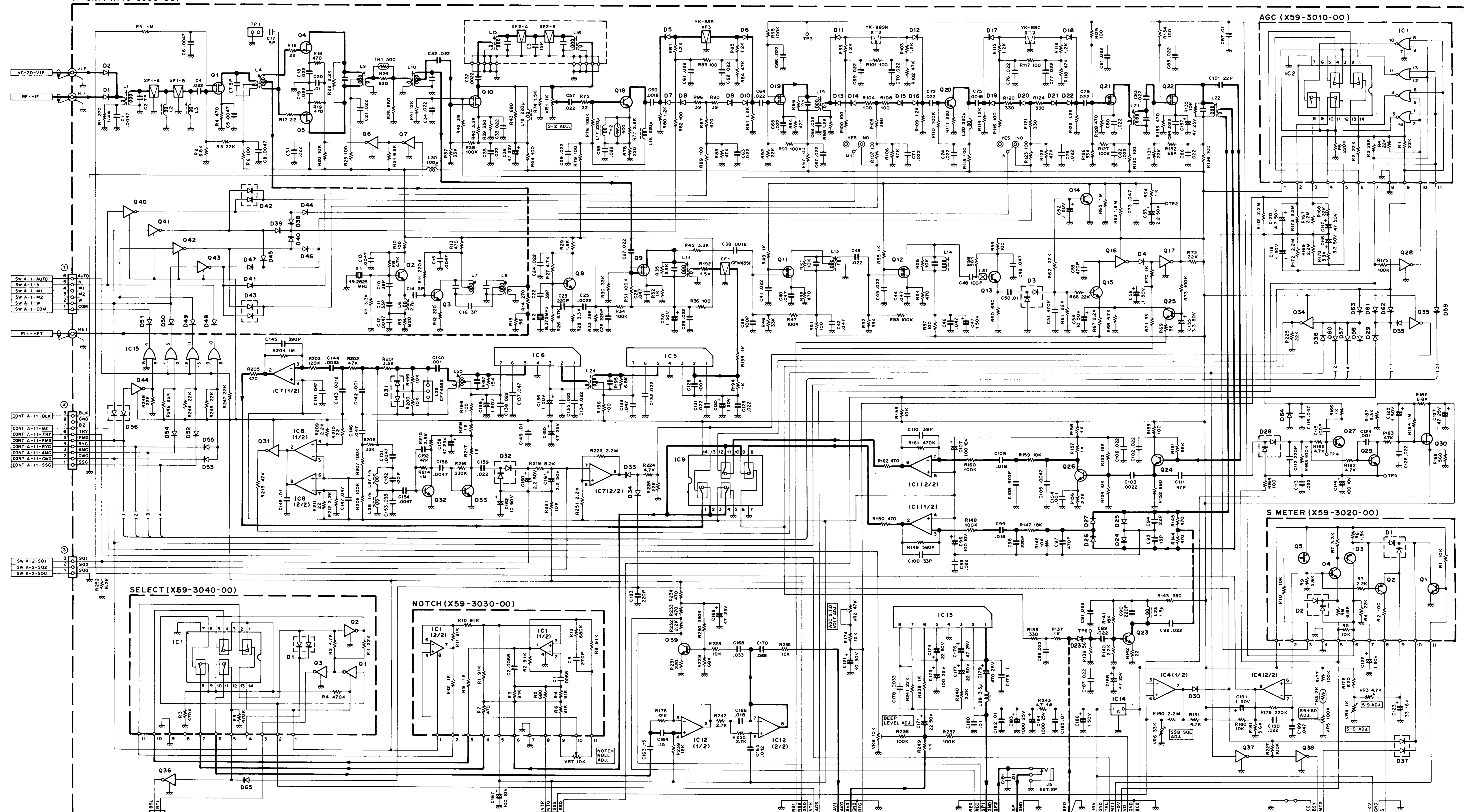
IF UNIT (X48-3000-00)

AGC (X59-3010-00)

S METER (X59-3020-00)

SELECT (X59-3040-00)

NOTCH (X59-3030-00)



- Q 1, 9-12, 19, 21, 22 : 3SK73(Y)
- Q 2, 3, 8 : 2SC266B(Y)
- Q 4, 5 : 2SK125
- Q 6 : DTC114ES
- Q 7, 36-38 : DTC144WS
- Q 13, 18, 20, 23, 24 : 2SC2787(L)
- Q 14, 15, 26, 27, 29, 39 : 2SC2458(Y)
- Q 16, 34 : DTA124ES
- Q 17 : DTC124ES
- Q 25 : 2SC3113(B)
- Q 28 : DTC144ES

- Q30 : 2SK161(GR)
- Q31, 35, 44 : DTA144ES
- Q40-43 : DTA114ES
- Q32, 33 : 2SC2459(BL)
- D1, 2 : BA282
- D3, 28, 32 : MC931
- D4, 29, 33-36, 38-41, 44-48, 50-55, 57-60, 62, 63, 65 : 1S5133
- D5-23, 30, 49, 61 : 1S1587

- D24-27 : 1N60
- D31 : MC911
- D37, 42, 43, 56 : MC921
- D64 : 1S5141VE

- IC 1, 7, 12 : NJM4558B
- IC 4, 8 : NJM2903S
- IC 5, 6 : NJM5577H
- IC 9 : TC4066BP
- IC 13 : MB3713
- IC 14 : AN78N09
- IC 15 : TC4071BP

- (X59-3010-00)
- IC 1 : TC4001BF
- IC 2 : TC4066BP

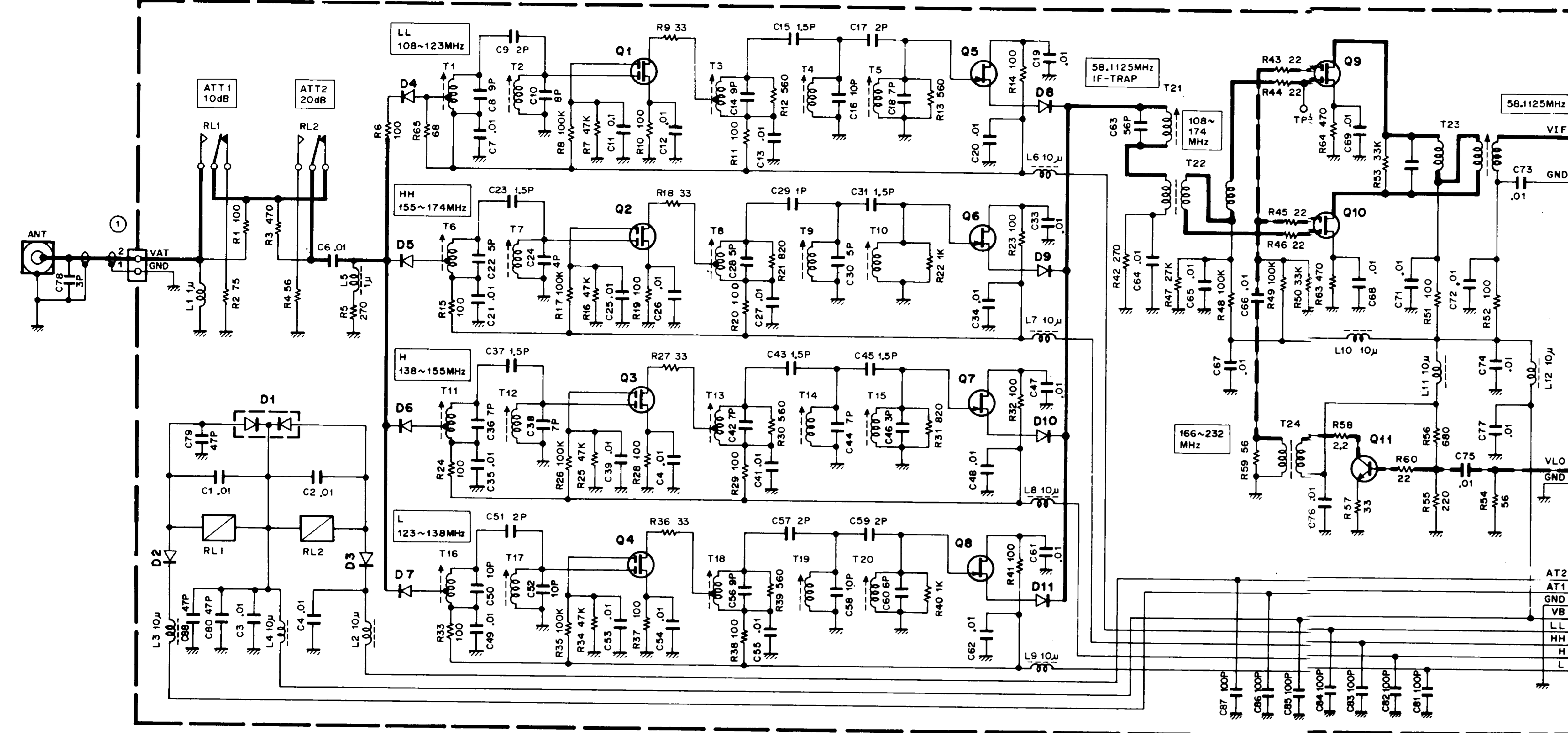
- (X59-3020-00)
- Q 1, 4 : 2SC2712(Y)
- Q 2, 3 : 2SA1162(Y)
- Q 5 : 2SK211(GR)
- D 1, 2 : DAN202K

- (X59-3030-00)
- IC 1 : NJM4558B

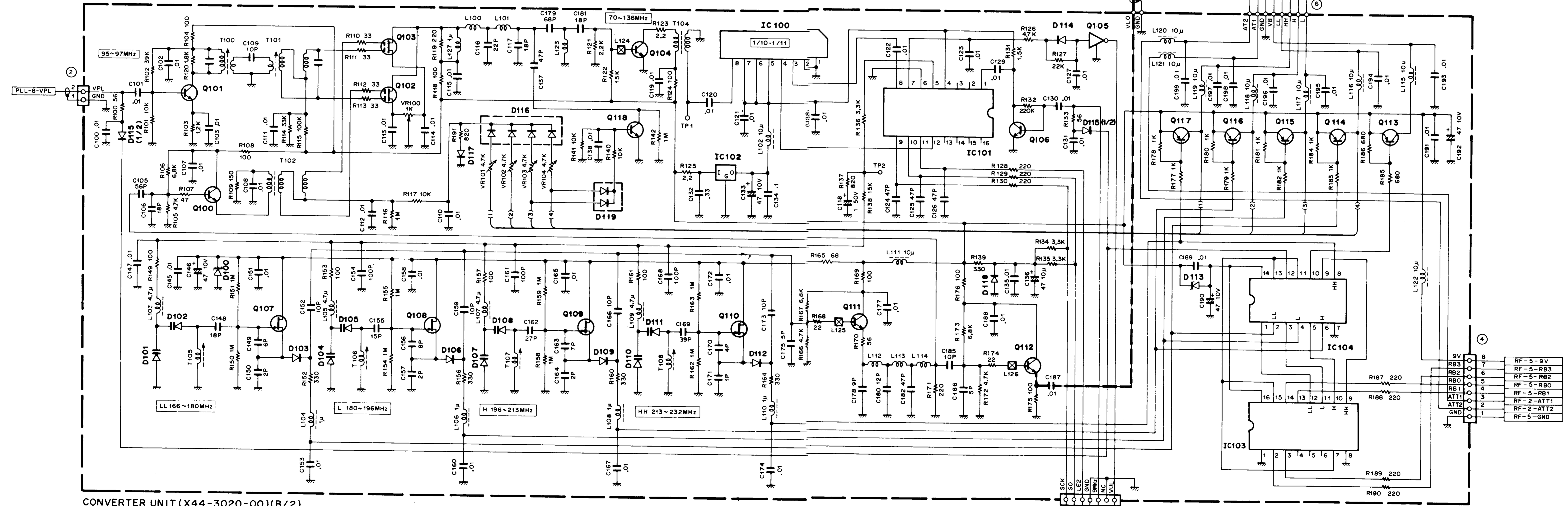
- (X59-3040-00)
- Q 1 : DTA124EK
- Q 2, 3 : 2SA1162(Y)
- IC 1 : TC4066BP
- D 1 : DAN202K

CONVERTER UNIT

CONVERTER UNIT (X44-3020-00)(A/2)



- D1 ~ 3, 114, 115, 119 : DAN202K
- D4 ~ 7 : 1S2588
- D8 ~ 11, 103, 106, 109, 112 : MA858
- D100 : MTZ7.5JA
- D101, 102, 104, 105, 107, 108, 110, 111 : 1SV153
- D113 : MTZ3.3JA
- D116 : DAN401
- D117 : 1S5133
- D118 : MTZ5.1JA
- Q1 ~ 4 : 3SK184(R)
- Q5 ~ 8 : 2SK125-5
- Q9, 10, 102, 103 : 3SK74(L)
- Q11, 100, 104, 111, 112 : 2SC2570A
- Q101, 106, 118 : 2SC2714 (Y)
- Q105 : DTC124EK
- Q107 ~ 110 : 2SK192A(GR) * P
- Q113 ~ 117 : 2SB698(E, F)
- IC100 : HD10551
- IC101 : MC145158P
- IC102 : TA78L005AP
- IC103 : SN74LS139N
- IC104 : SN74LS07N

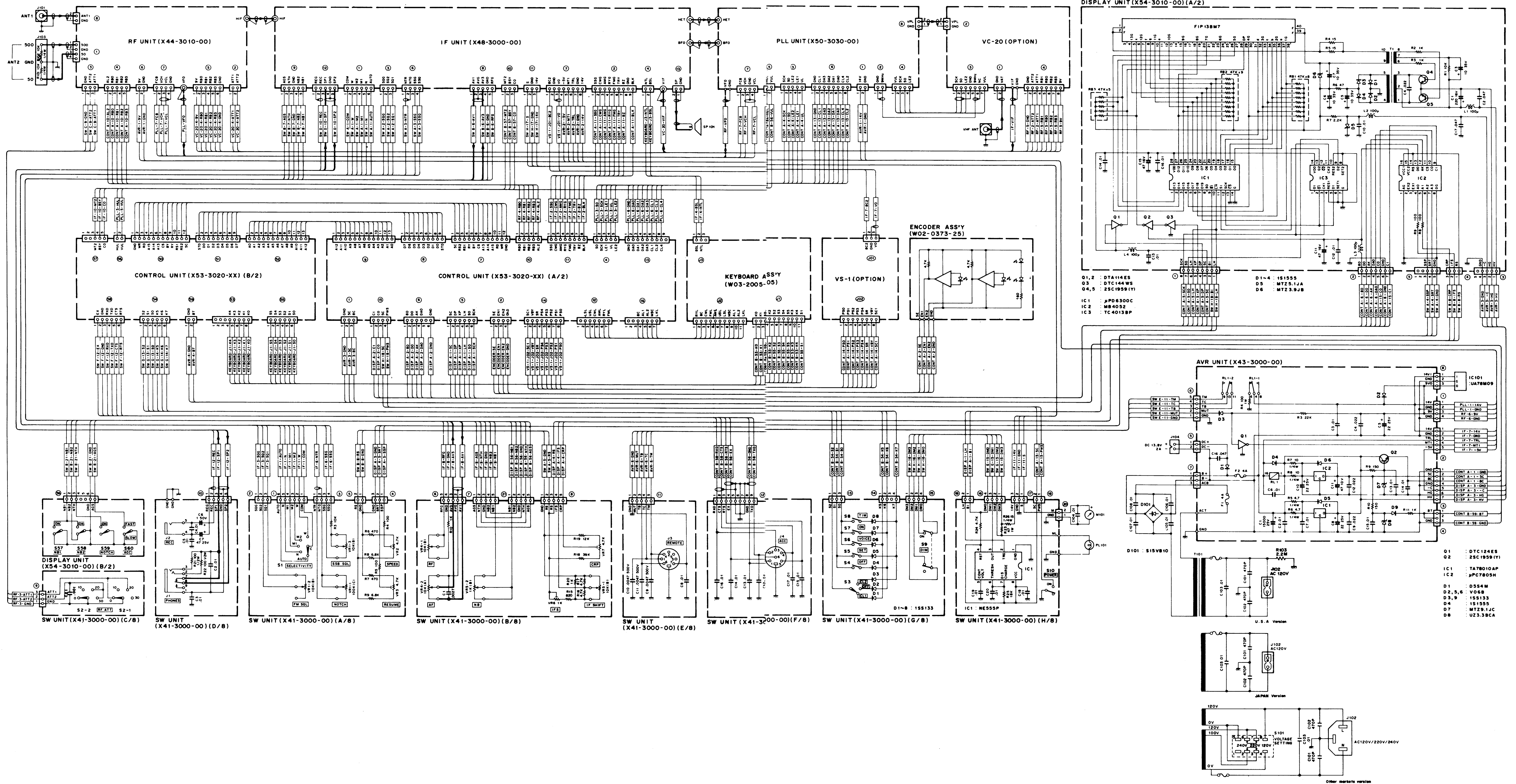


CONVERTER UNIT (X44-3020-00)(B/2)

- 1 : 3SK
- 2 : SO
- 3 : LEP
- 4 : GND
- 5 : 5MHz
- 6 : INC
- 7 : VUL

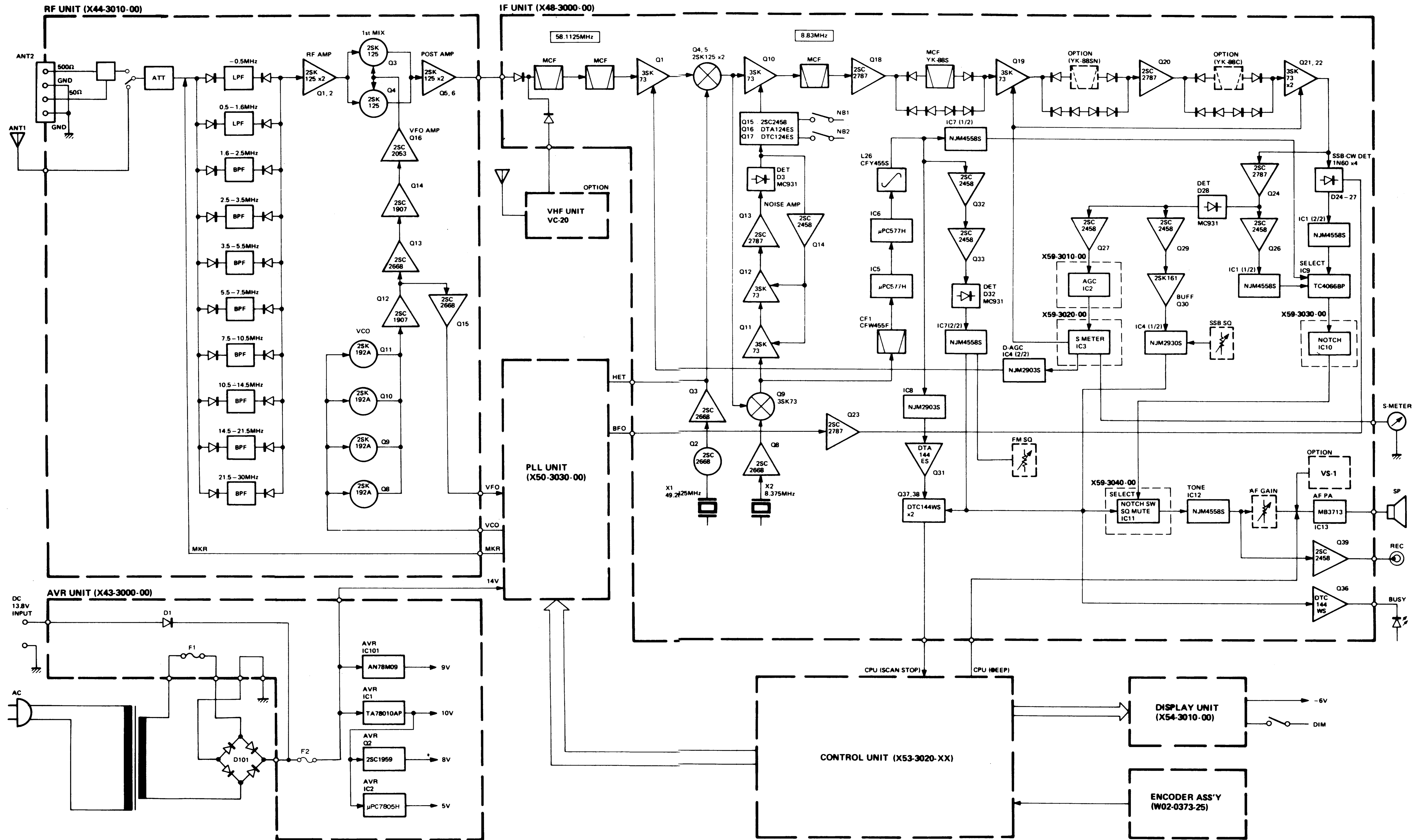
- RF-5-9V
- RF-5-RB3
- RF-5-RB2
- RF-5-RB0
- RF-5-RB1
- RF-2-ATT1
- RF-2-ATT2
- RF-5-GND

8-2. CIRCUIT DIAGRAM



8. BLOCK DIAGRAM AND CIRCUIT DIAGRAM

8-1. BLOCK DIAGRAM



Note:
Block diagram is subject to change without notice due to advancements in technology.