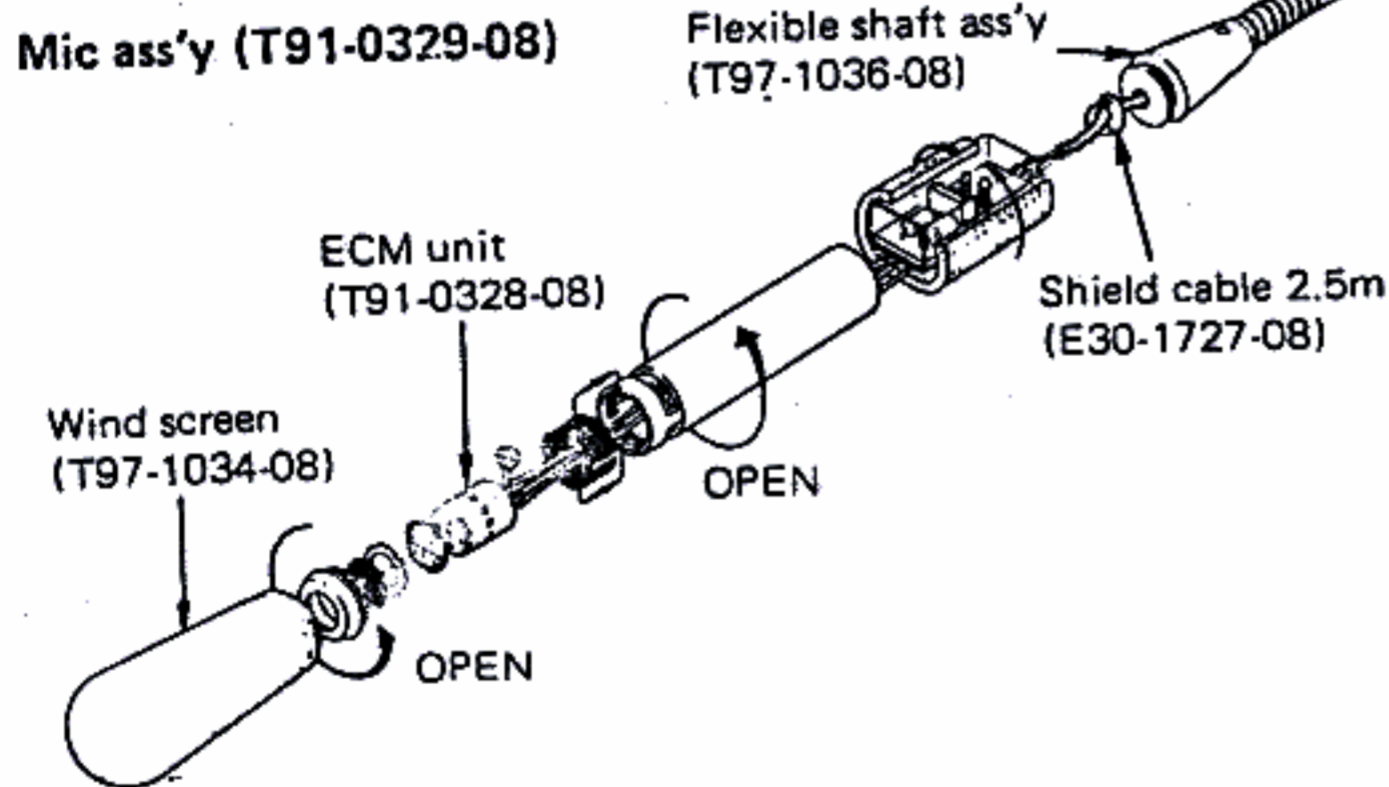


MC-55 SPECIFICATIONS

- Type Unidirectional electret condenser microphone
- Impedance Approx. 700Ω
- Sensitivity -50dB (MIC LEVEL MAX)
- Frequency response 300-8000Hz
- Power requirement 6-15V DC



MC-55 DISASSEMBLY



SCHEMATHEEK
 Beh. T. Hultermans
 Postbus 4228
 5604 EE Eindhoven

