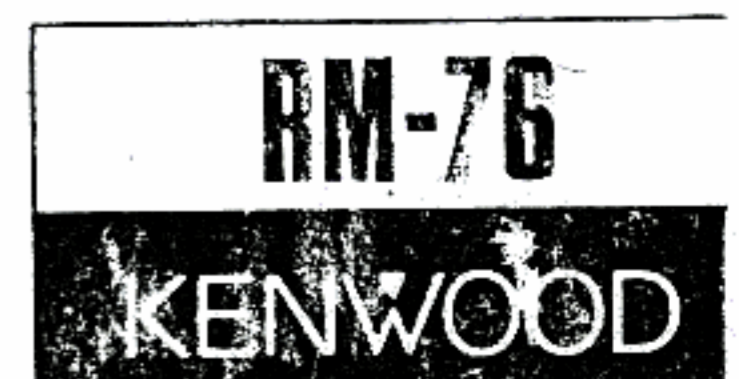


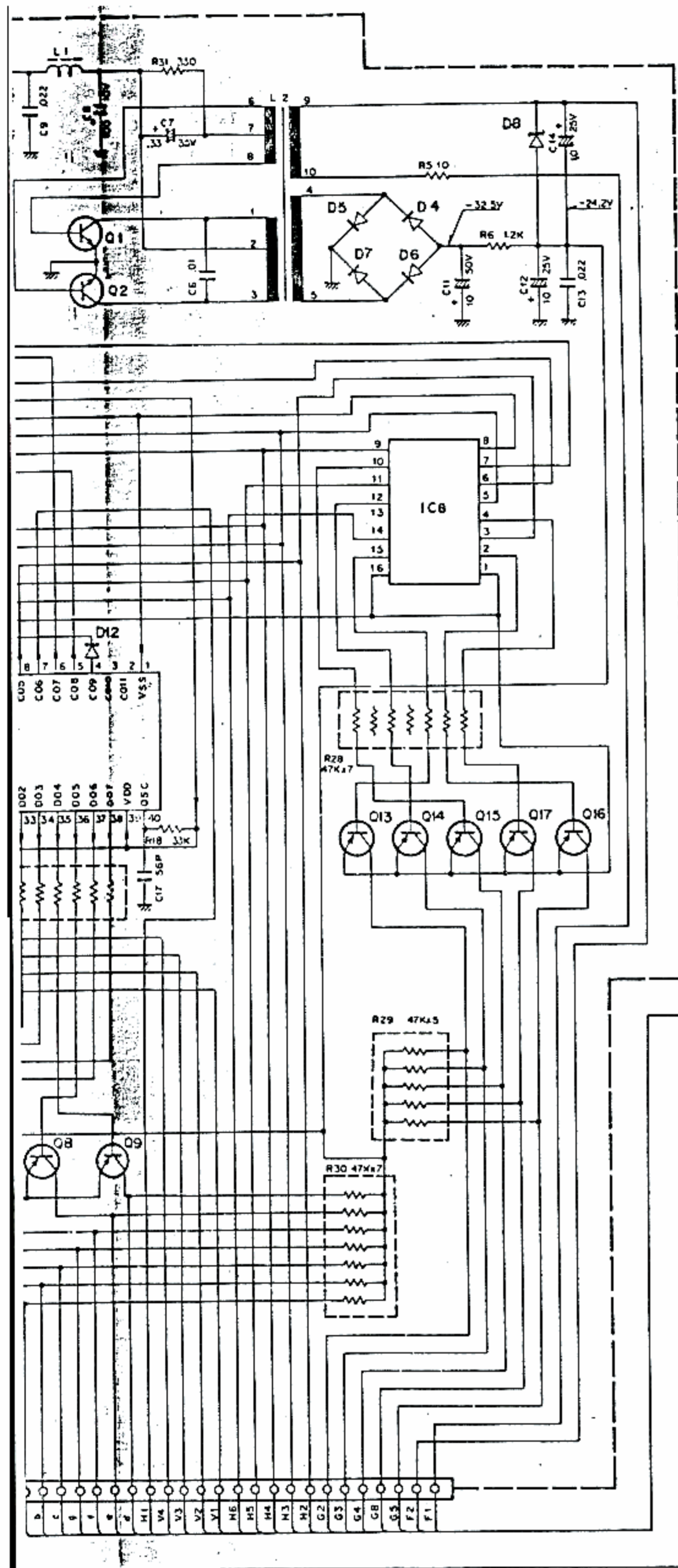


SPECIFICATIONS

Semiconductors	Transistors	17	DC Current	Less than 200 mA
	ICs	7	Memory back-up	
	Diodes	38	DC Current	Less than 50 mA
	Microprocessor	1	External Memory	
Operating Temperature.....	-20° ~ +50°C		Back-up Voltage	7.5V DC
Operating Voltage	+11.5V DC ~ +16.0V DC		Grounding.....	Negative ground
	(+13.8V DC standard)			

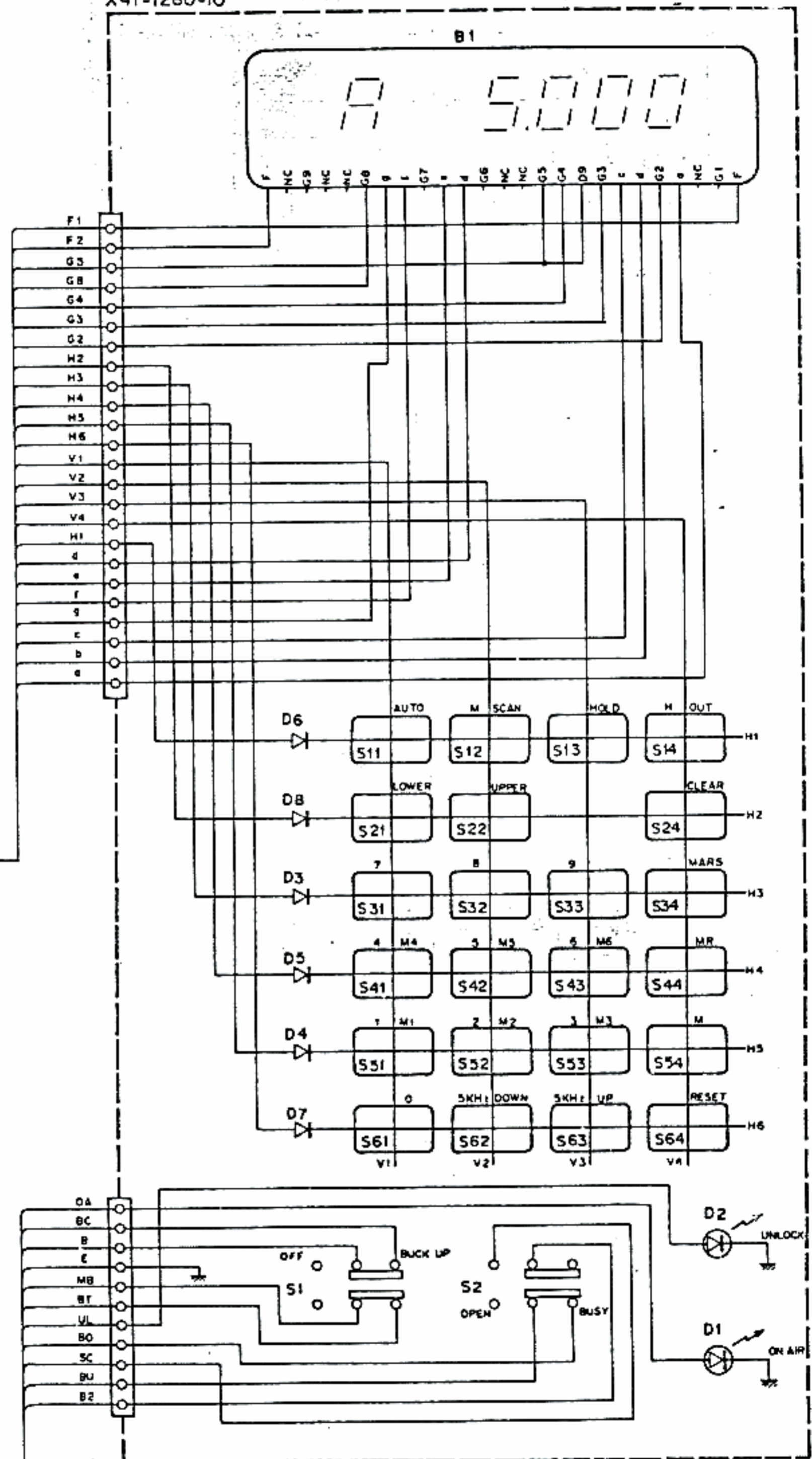
SCHEMATHEEK
 Beh. T. Hultermans
 Postbus 4228
 5604 EE Eindhoven



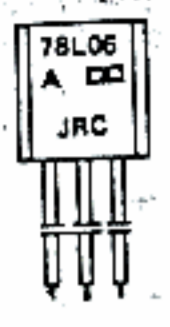


- D1 : TLG-205
- D2 : TLR-205
- D3-8 : 1S1555
- B1 : 9-BT-12

X41-1260-10

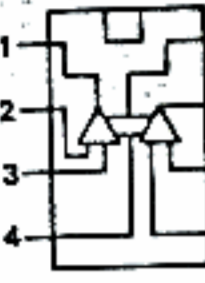


IC2 NJM78L06A

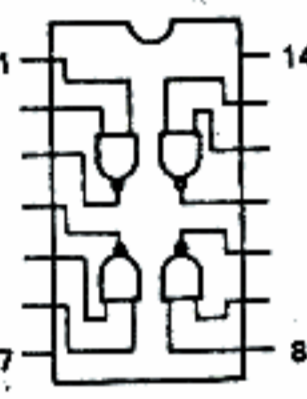
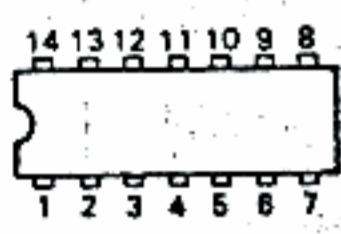


- ① Out pu
- ② Groud
- ③ In put

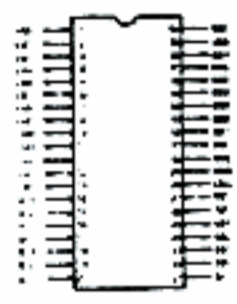
LM358N



TC4011BP

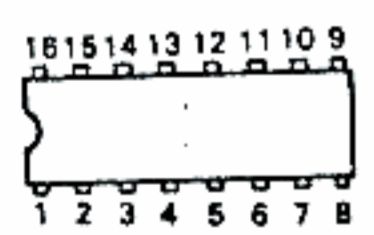


MN9006

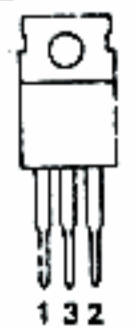


MN1201A

TC4009UBP



IC1 FS-7806M

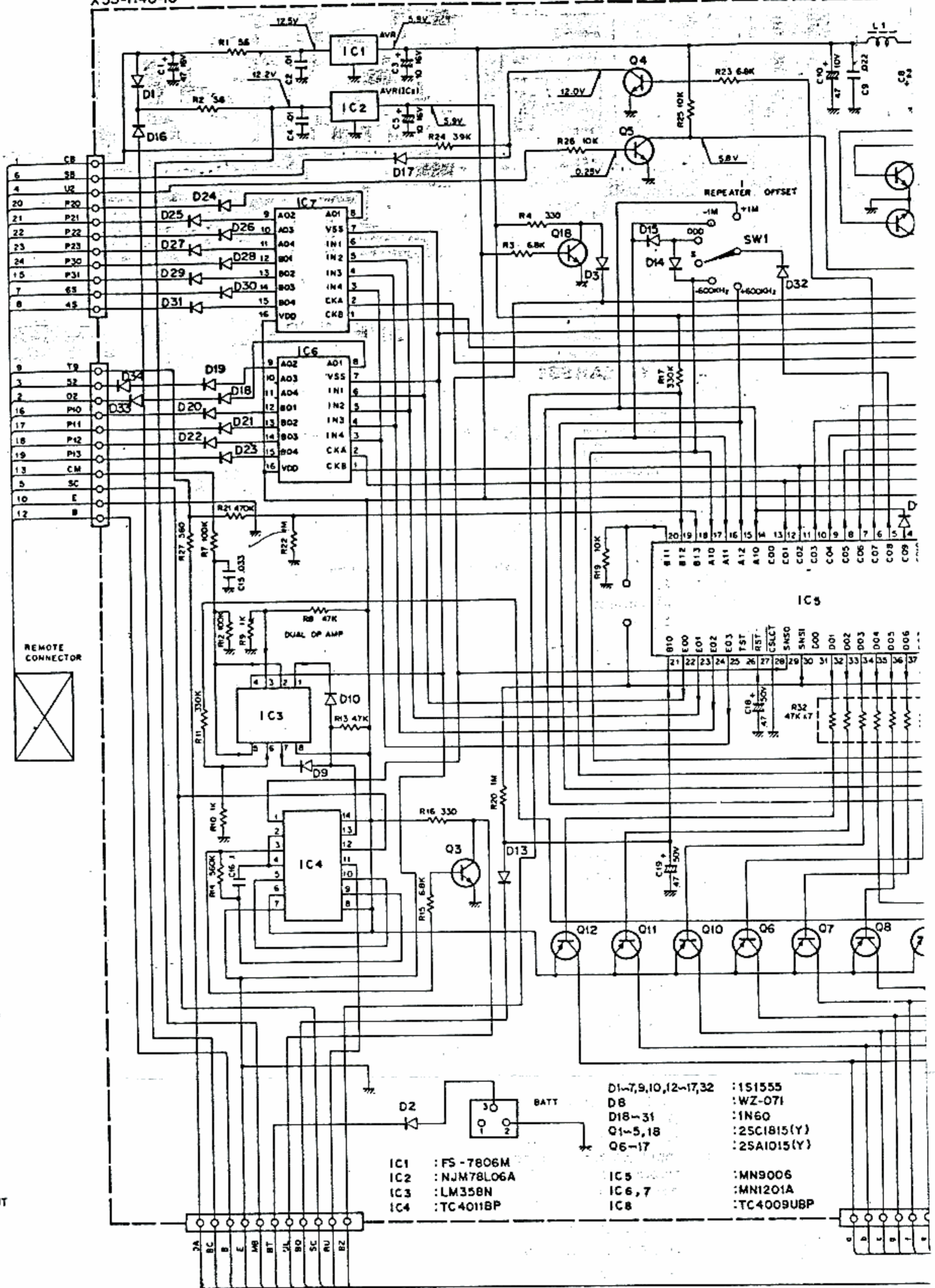


- 1: INPUT
- 2: OUTPUT
- 3: GND

25A1015(Y)
25C1815(Y)



X53-1140-10



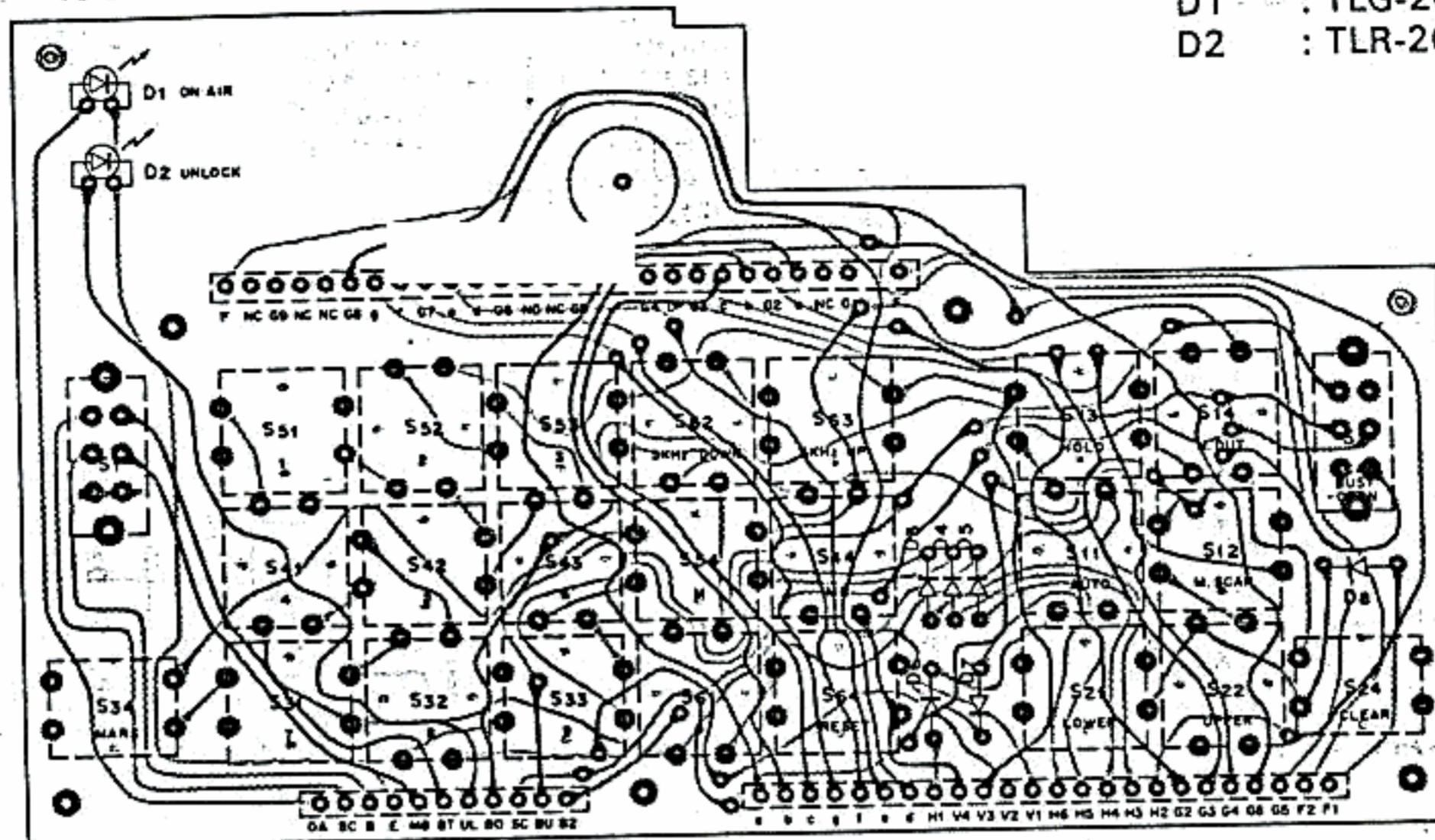
- IC1 : FS - 7806M
- IC2 : NJM78L06A
- IC3 : LM358N
- IC4 : TC4011BP

- D1-7,9,10,12-17,32 : 1S1555
- D8 : WZ-071
- D18-31 : 1N60
- Q1-5,18 : 25C1815(Y)
- Q6-17 : 25A1015(Y)

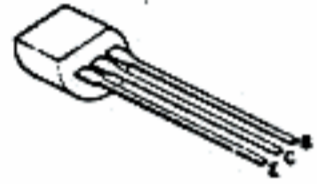
- IC5 : MN9006
- IC6,7 : MN1201A
- IC8 : TC4009UBP

KEY BOARD UNIT (X41-1260-10)

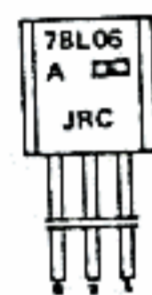
D1 : TLG-205 D3~8 : 1S1555
 D2 : TLR-205 B1 : 9-BT-12



2SA1015(Y)
 2SC1815(Y)

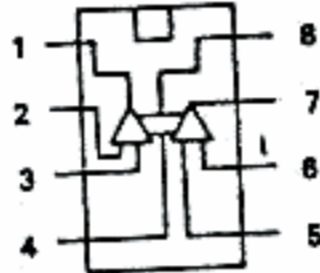


IC2 NJM78L06A

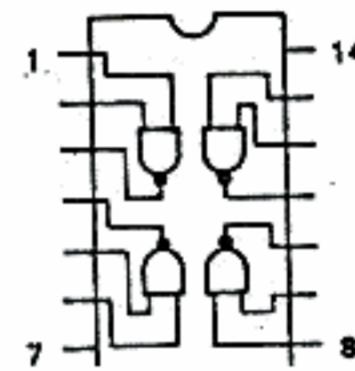
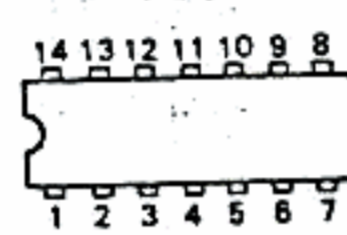


① Out put
 ② Groud
 ③ In put

LM358N



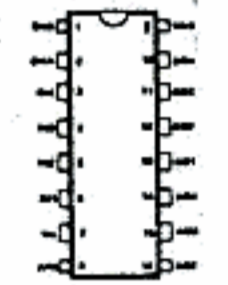
TC4011BP



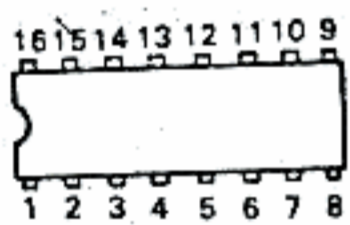
MN9006



MN1201



TC4009UBP

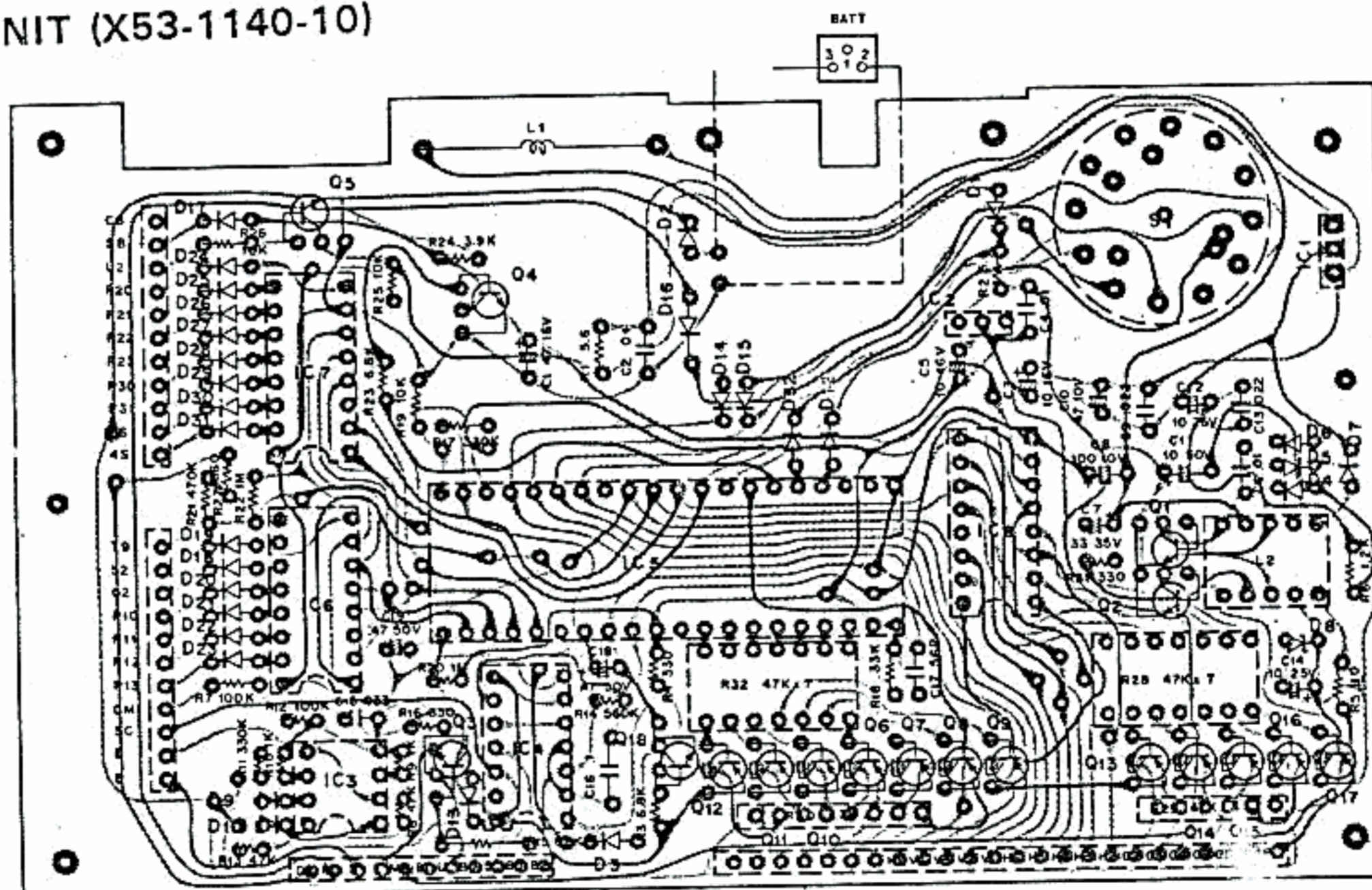


IC1 FS-7806M



1: INPUT
 2: OUTPUT
 3: GND

CONTROL UNIT (X53-1140-10)



IC1 : FS-7806M
 IC2 : NJM78L06A
 IC3 : LM358N
 IC4 : TC4011BP

IC5 : MN9006
 IC6 : MN1201A
 IC8 : TC4009UBP
 Q1~4,18 : 2SC1815 (Y)

Q1~17 : 2S-1015 (Y)
 D1~17,32 : 1S1555
 D8 : WZ-071
 D18~31 : 1N60