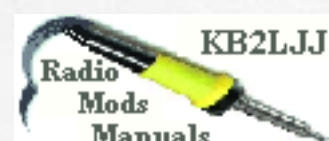


SPEAKER MICROPHONE

SMC-34

SERVICE MANUAL

KENWOOD



© 1992-7 PRINTED IN JAPAN
B51-8189-00 (B) 1039



SPECIFICATIONS

- Speaker unit
 - Output level 83dB
 - Rated input Power 0.5W
 - Max. input Power 1W
 - Impedance 8Ω
- Microphone unit
 - Type of element Electret-condenser
 - Sensitivity -58dB
 - Impedance 2kΩ

OPERATION

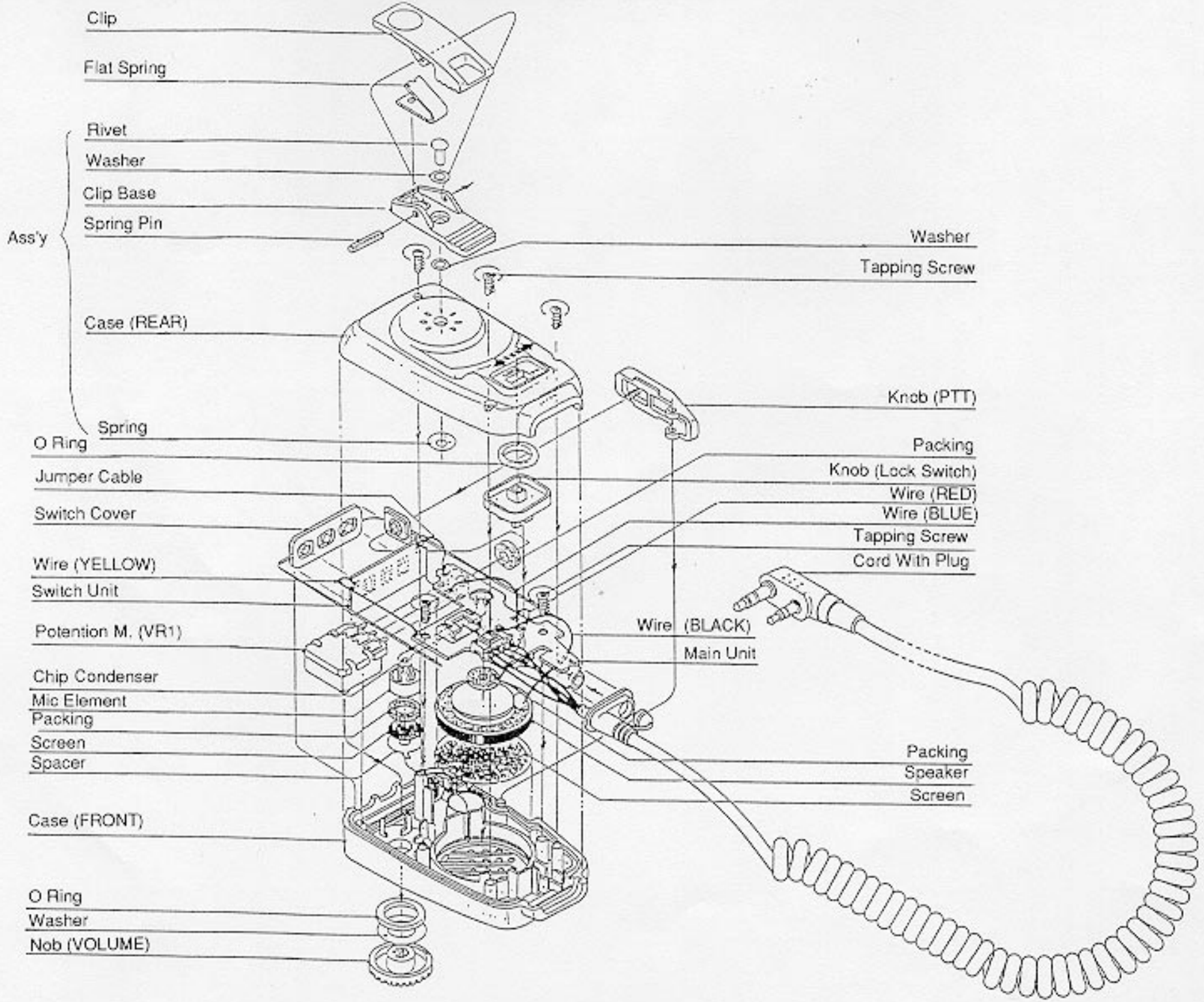
1. Connect the SMC-34 to the MIC-SP jack of the transceiver.
2. Set the Volume control of the SMC-34 to maximum position.
3. Adjust the Volume control of the transceiver and then adjust the SMC-34 Volume control.

If you want to operate the programmable function(function keys), refer to the instruction manual provided with the transceiver.

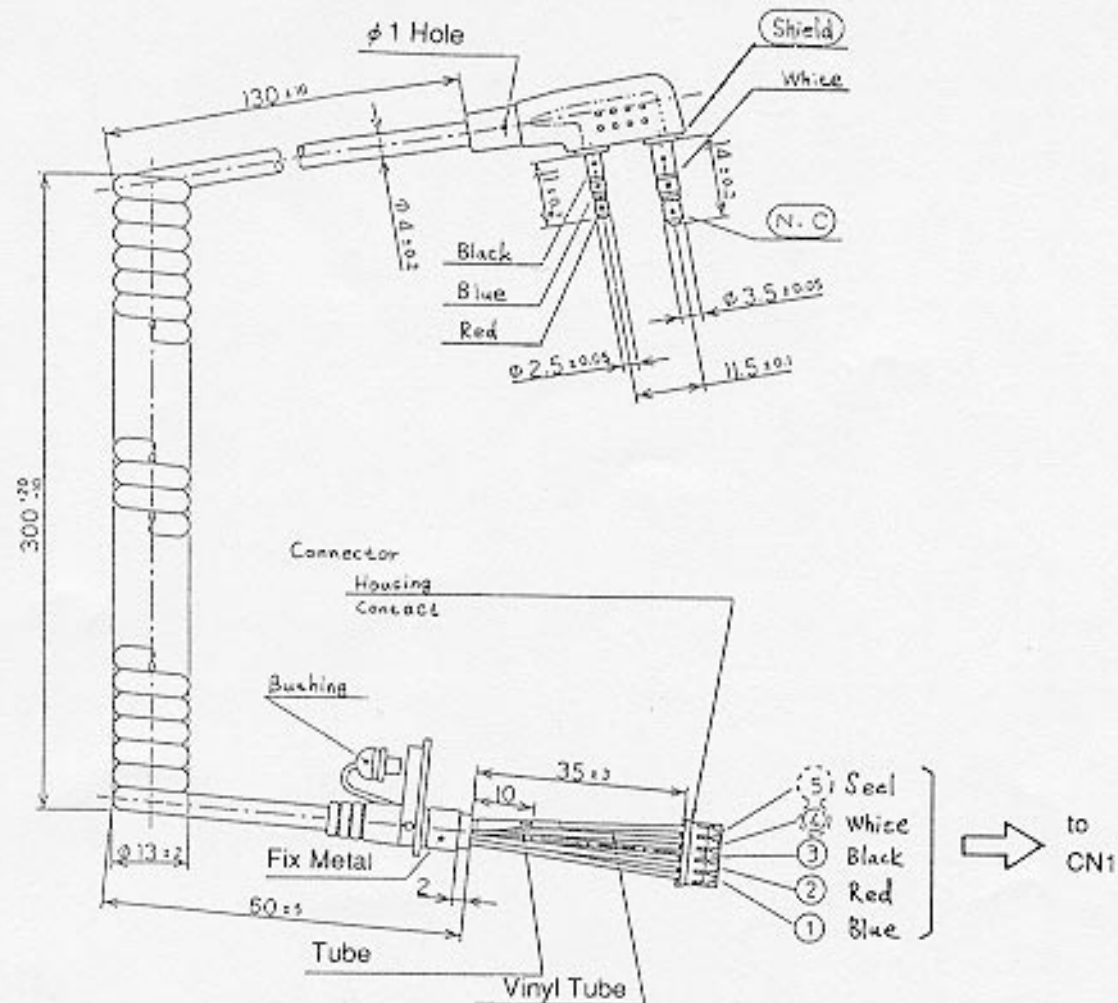
(Section: Programming the Remote Control Speaker microphone)

SMC-34

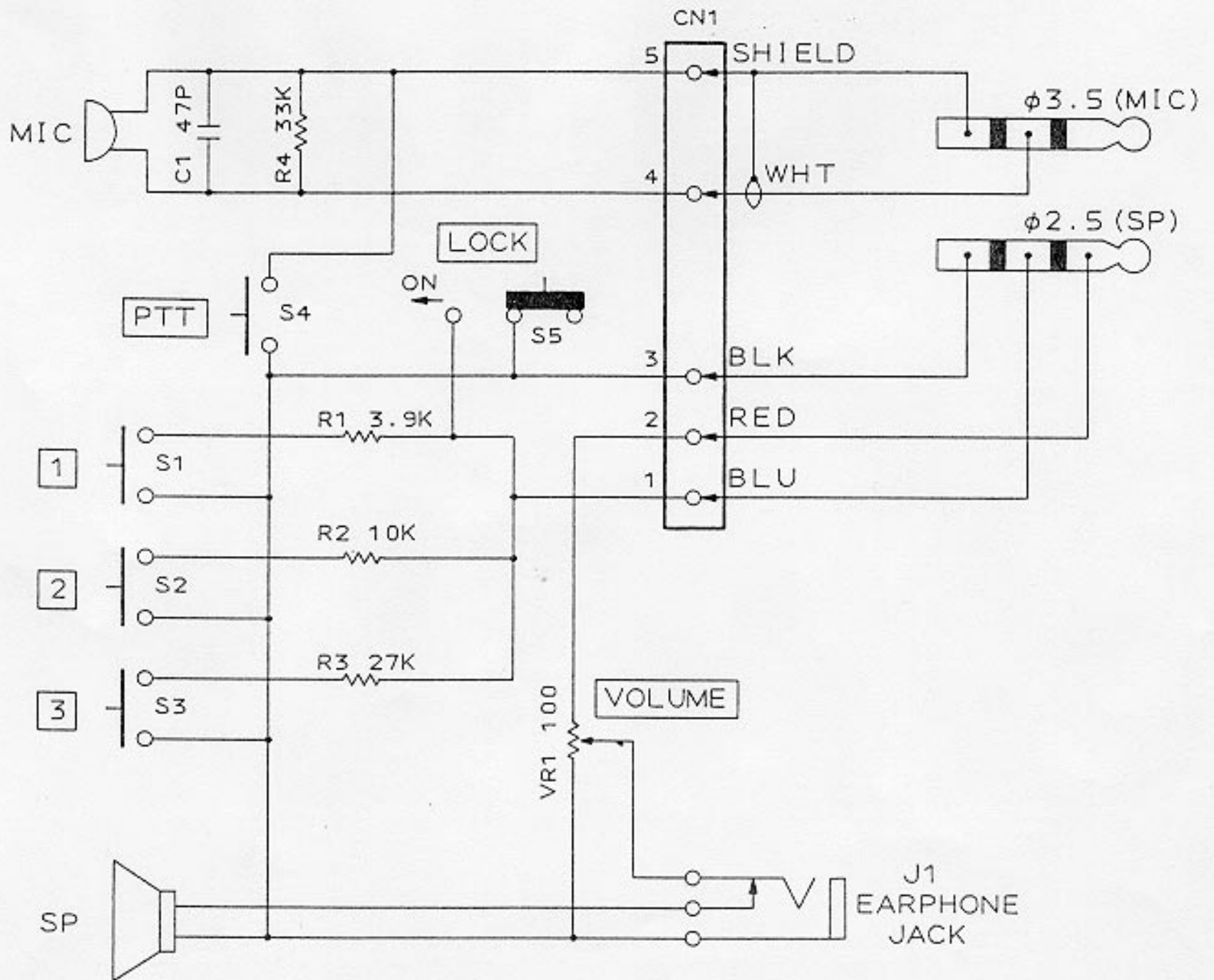
EXPLODED VIEW



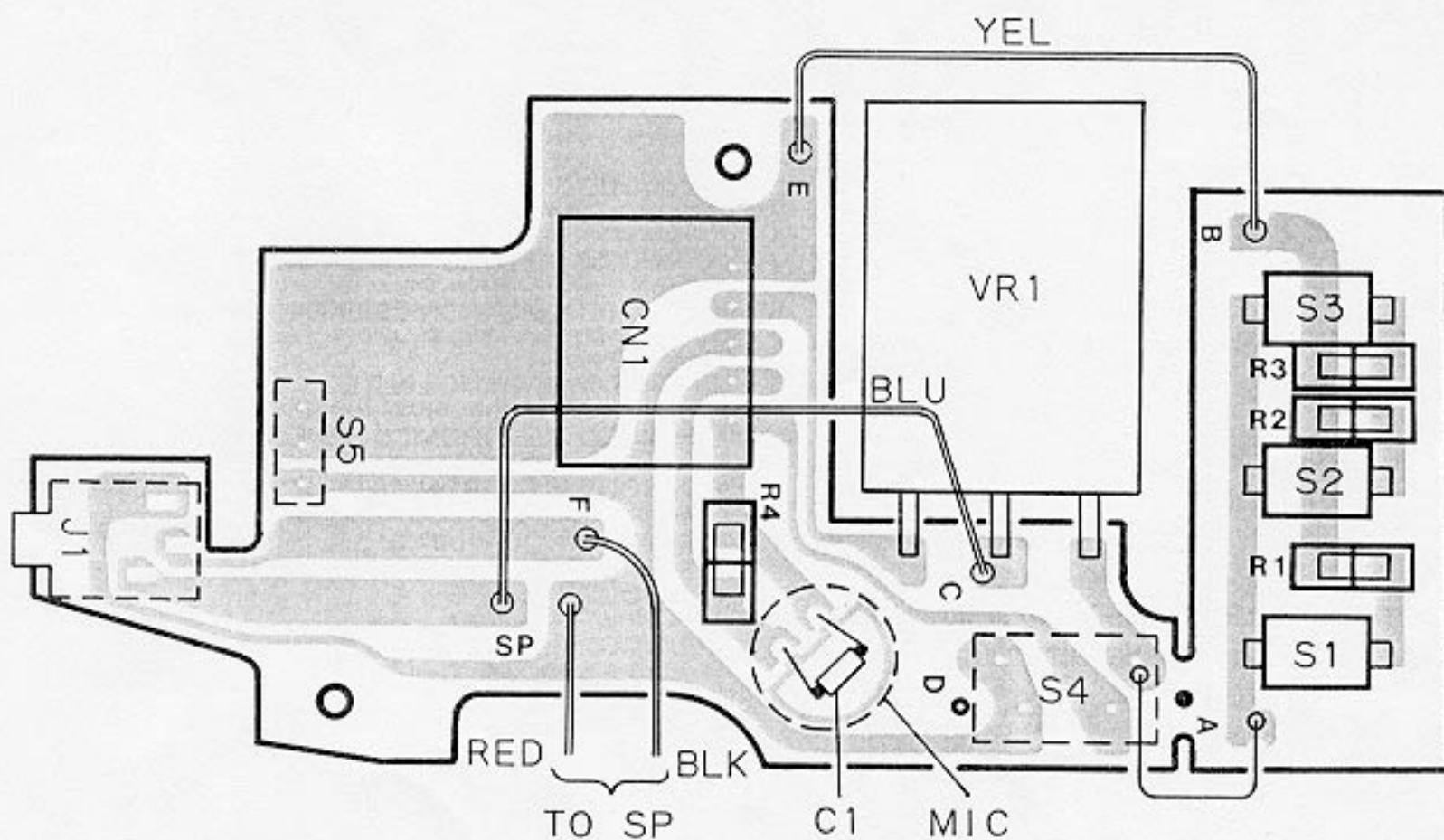
CARL CORD



SCHEMATIC DIAGRAM



PC BOARD



SMC-34

PARTS LIST

* New Parts

Parts without Parts No. are not supplied.

Les articles non mentionnes dans le Parts No. ne sont pas fournis.

Teile ohne Parts No. werden nicht geliefert.

Ref. No. 参照番号	Address 位置	New Parts 新	Parts No. 部品番号	Description 部品名 / 規格	Desti- nation 仕向	Re- marks 備考	
SMC-34							
J1		*	A02-1696-08	CASE(FRONT)			
		*	A02-1699-08	CASE ASSY(REAR)			
		*	E30-3136-08	CORD WITH PLUG			
		*	E11-0453-08	EARPHONE JACK(2.5 φ)			
			J29-0469-08	CLIP			
		*	K29-4822-08	SWITCH COVER(1,2,3)			
		*	K29-4823-08	KNØB (VOLUME)			
		*	K29-4824-08	KNØB (PTT)			
	VR1		*	R05-0408-08	POTENTIØ M. 100 ØHM (B)		
	S1 -3			S70-0408-05	TACT SWITCH(1,2,3)		
S4		*	S70-0421-08	TACT SWITCH(PTT)			
S5		*	S62-0431-08	SLIDE SWITCH(LOCK)			
		*	T07-0295-08	SPEAKER			
		*	T91-0530-08	MIC ELEMENT			
		*	W02-1743-08	UNIT ASSY			

L:Scandinavia

K:USA

P:Canada

△印は安全部品

Y:PX(Far East, Hawaii)

T:England

E:Europe

Y:AAFES(Europe)

X:Australia

M:Other Areas

△ indicates safety critical components.

KENWOOD CORPORATION

Shionogi Shibuya Building, 17-5, 2-chome Shibuya, Shibuya-ku, Tokyo 150, Japan

KENWOOD U.S.A. CORPORATION

CONSUMER ELECTRONICS GROUP
P.O. BOX 22745, 2201 East Dominguez St., Long Beach, CA 90810, U.S.A.

KENWOOD ELECTRONICS CANADA INC.

6070 Kestrel Road, Mississauga, Ontario, Canada L5T 1S8

KENWOOD ELECTRONICS LATIN AMERICA S.A.

P.O. BOX 55-2791, Piso 6 Plaza Chase, Cl. 47 y Aquilino de la Guardia, Panama, Republic de Panama

TRIO-KENWOOD U.K. LIMITED

Kenwood House, Dwight Road, Watford, Herts, WD1 8EB, United Kingdom

KENWOOD ELECTRONICS BENELUX N.V.

Mechelsesteenweg 418 B-1930 Zaventem, Belgium

KENWOOD ELECTRONICS DEUTSCHLAND GMBH

Rembrücker Str. 15, 6056 Heusenstamm, Germany

TRIO-KENWOOD FRANCE S.A.

13 Boulevard Ney, 75018 Paris, France

KENWOOD LINEAR S.p.A.

20125, Milano-Via Arbe, 50, Italy

KENWOOD ESPAÑA S.A.

Bolivia, 239-08020 Barcelona, Spain

KENWOOD ELECTRONICS AUSTRALIA PTY. LTD. (A.C.N. 001 499 074)

P.O. BOX 504, 8 Figtree Drive, Australia Centre, Homebush, N.S.W. 2140, Australia

KENWOOD & LEE ELECTRONICS, LTD.

Unit 3712-3724, Level 37 Tower 1, Metroplaza, 223 Hing Fong Road,

Kwai Fong N.T. Hong Kong

KENWOOD ELECTRONICS SINGAPORE PTE LTD

No. 1 Genting Lane #07-00, Singapore, 1334