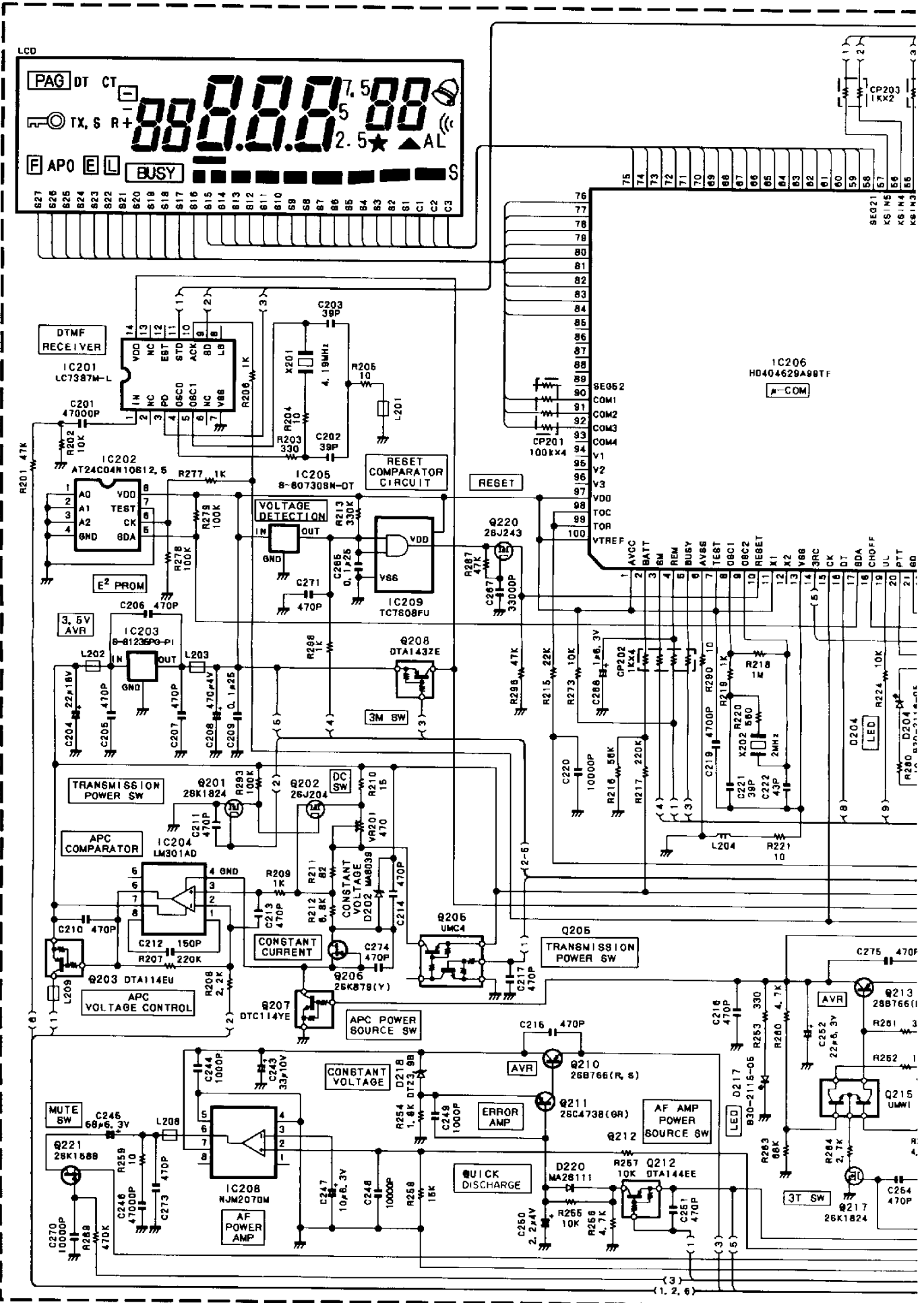
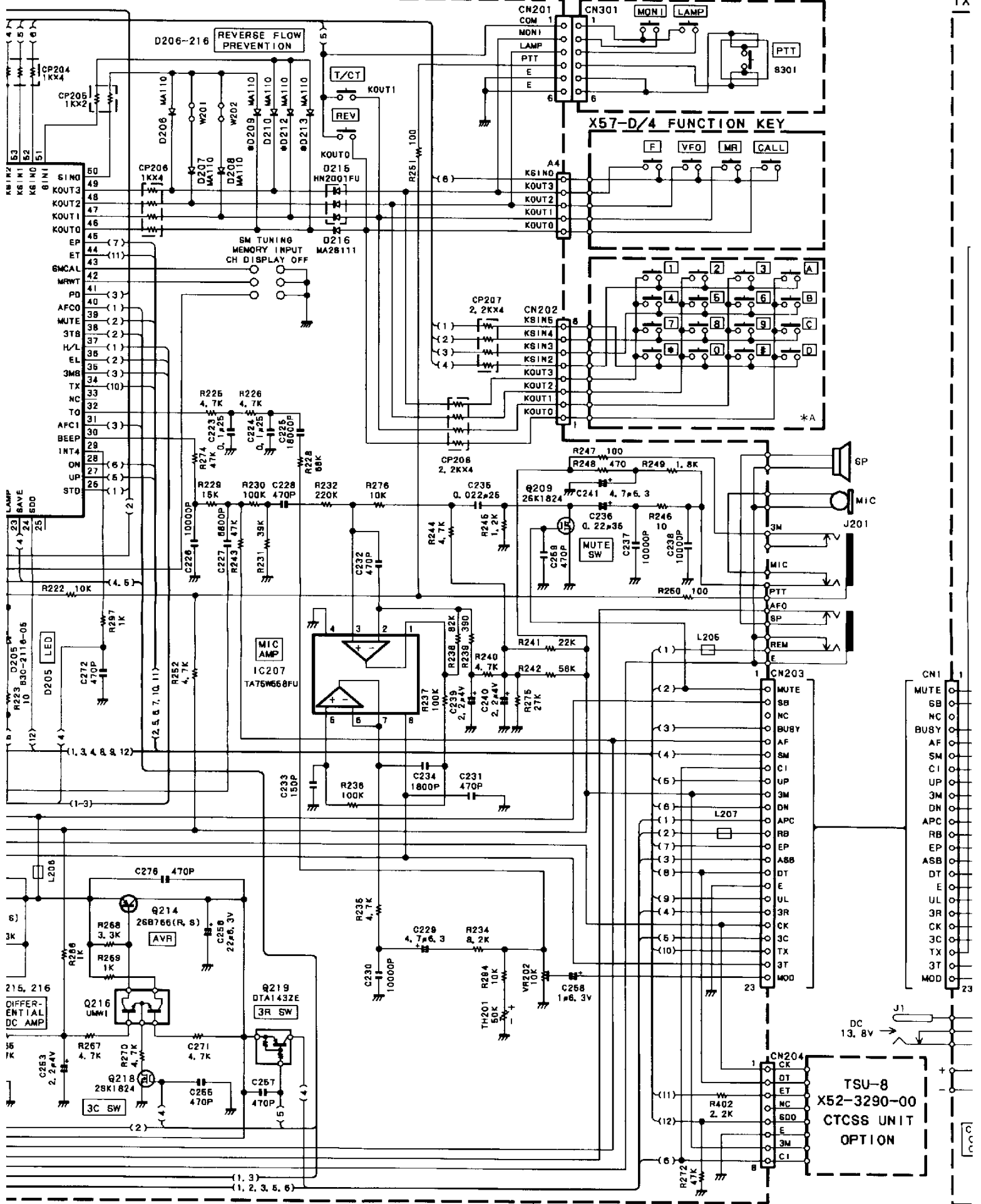


# TH-42A/42AT/42E SCHEMATIC DIAGRAM

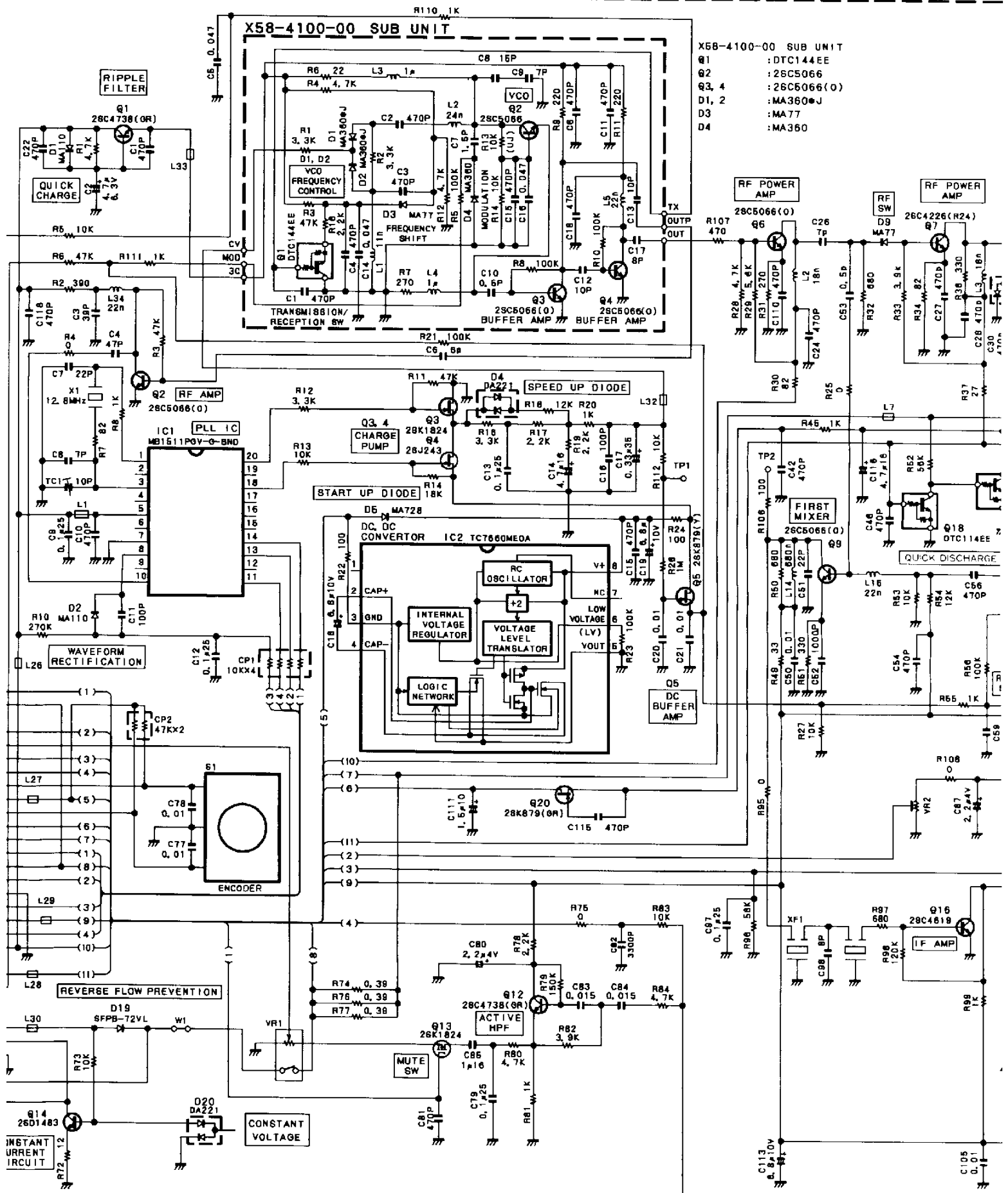


TX-RX UNIT X57-438X-XX(B/4) X57-C/4 PTT

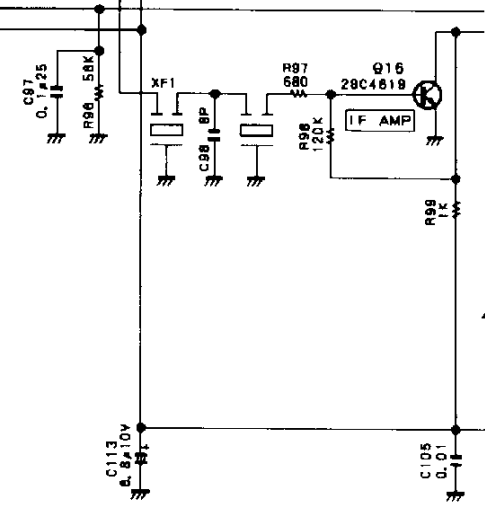
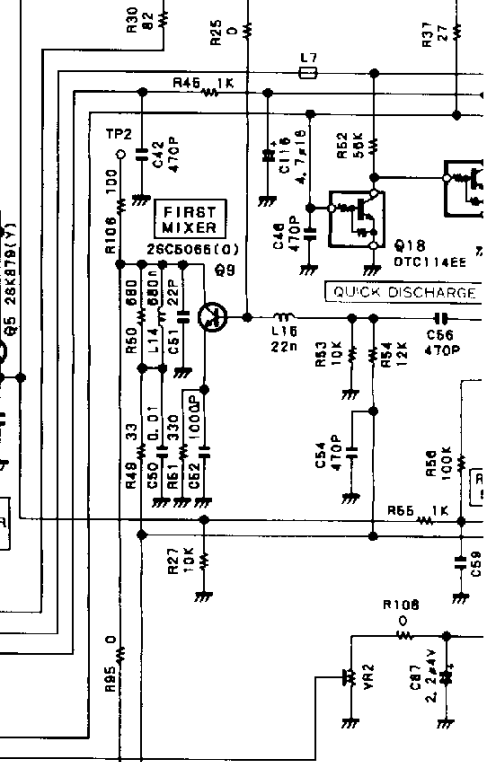
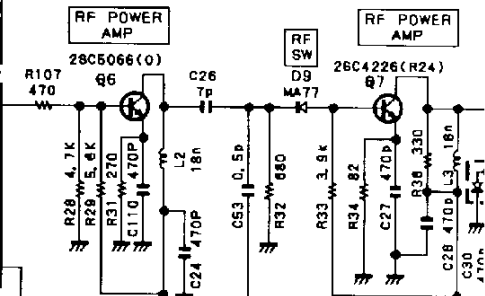
TX



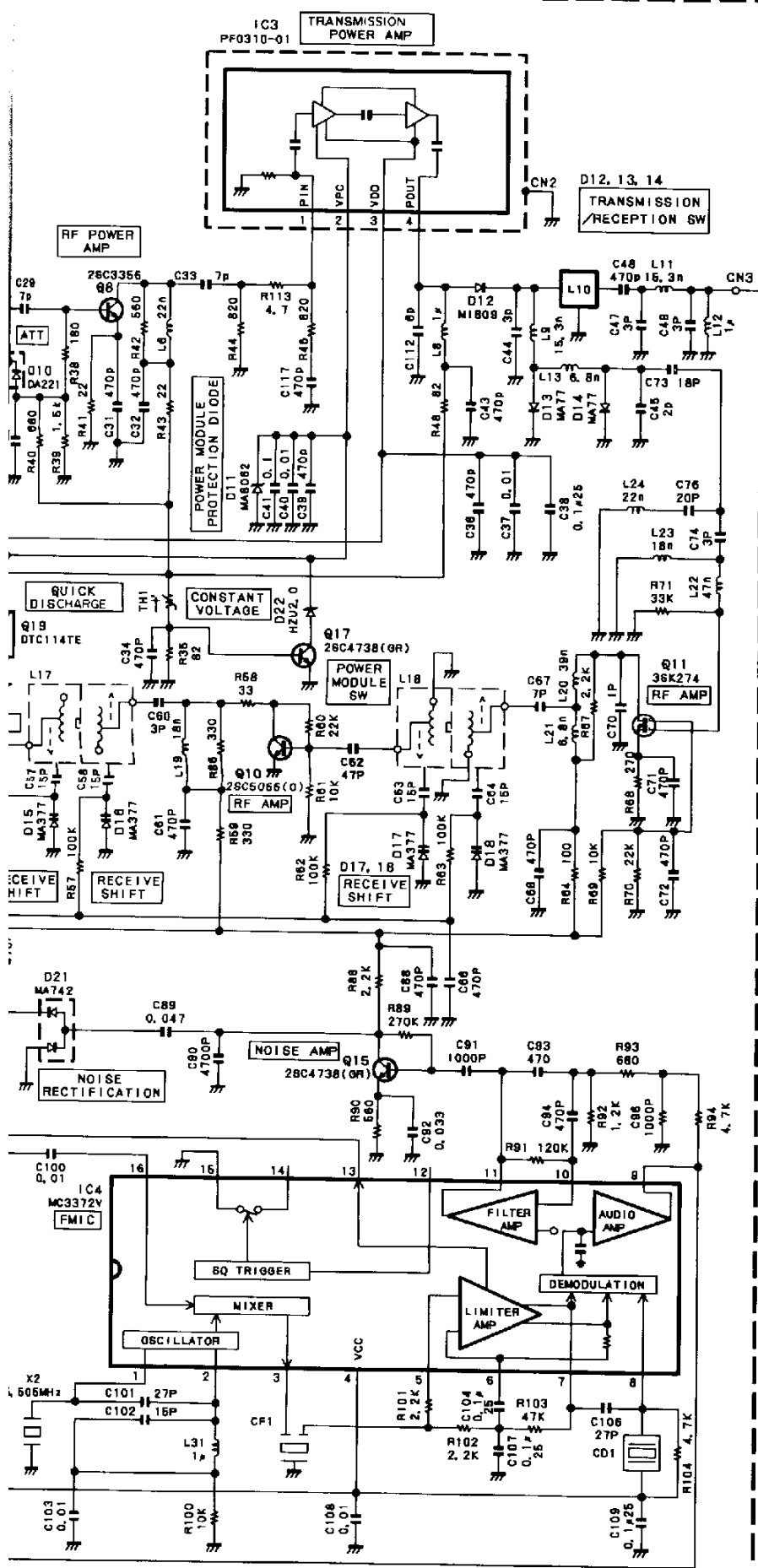
TX



- X58-4100-00 SUB UNIT
- Q1 : DTC144EE
  - Q2 : 28C5066
  - Q3, 4 : 28C5066(O)
  - D1, 2 : MA360J
  - D3 : MA77
  - D4 : MA360



		Q-XX	D208	D209	D212	D213	•A
TH-42AT	K	0-11	YES	YES	NO	NO	YES
TH-42A	M	0-21	YES	NO	YES	YES	OPTION
TH-42AT	M	0-21	YES	NO	YES	YES	YES
TH-42A	M2	0-22	NO	NO	YES	YES	OPTION
TH-42AT	M2	0-22	NO	NO	YES	YES	YES
TH-42E	E	2-71	YES	YES	YES	YES	OPTION
TH-42AT	E	2-71	YES	YES	YES	YES	YES
TH-42E	E2	2-72	YES	YES	NO	YES	OPTION
TH-42AT	E2	2-72	YES	YES	NO	YES	YES



(A/4)

- IC1 :MB1511PFV-0-BND
- IC2 :TC7660NEOA
- IC3 :S-AU57
- IC4 :MC3372V

- D1, 2 :MA110
- D4, 10, 20 :DA221
- D5 :MA728
- D9, 13, 14 :MA77
- D11 :MA8062
- D12 :MI809
- D15, 16, 17, 18 :MA377
- D19 :SFPB-72VL
- D21 :MA742
- D22 :HZU2.0

- Q1, 12, 16, 17 :2SC4738(Q,R)
- Q2, 6, 9, 10 :2SC6066(O)
- Q3, 13 :28K1824
- Q4 :2SJ243
- Q5 :2SK879(Y)
- Q7 :26C4226(R24)
- Q8 :26C3356
- Q11 :36K274
- Q14 :26D1483
- Q16 :26C4618
- Q18 :DTC114EE
- Q19 :DTC114TE
- Q20 :2SK879(OR)

(B/4)

- IC201 :LC7387M-L
- IC202 :AT24C04N10612.5
- IC203 :S-81235PQ-PI
- IC204 :LM301AD
- IC205 :S-80733N-DT
- IC206 :HD404629A99TF
- IC207 :TA76W658FU
- IC208 :NUM2Q70M
- IC209 :TC7808FU

- Q201, 209, 217, 218 :28K1824
- Q202 :26J204
- Q203 :DTA114EU
- Q204 :UNC4
- Q206 :26K879(Y)
- Q207 :DTC114YE
- Q208, 219 :DTA143ZE
- Q210, 213, 214 :26B766(R, 6)
- Q211 :26C4738(OR)
- Q212 :DTA144EE
- Q215, 216 :UMW1
- Q220 :26J243
- Q221 :28K1588

- D202 :MA8039
- D204, D206 :B30-2116-05
- D208-210, 212, 213 :MA110
- D215 :HN2D01FU
- D216, 220 :MA28111
- D217 :B30-2116-05
- D218 :DTZ3.9(B)

Note: Circuits are subject to change without notice due to advancements in technology.