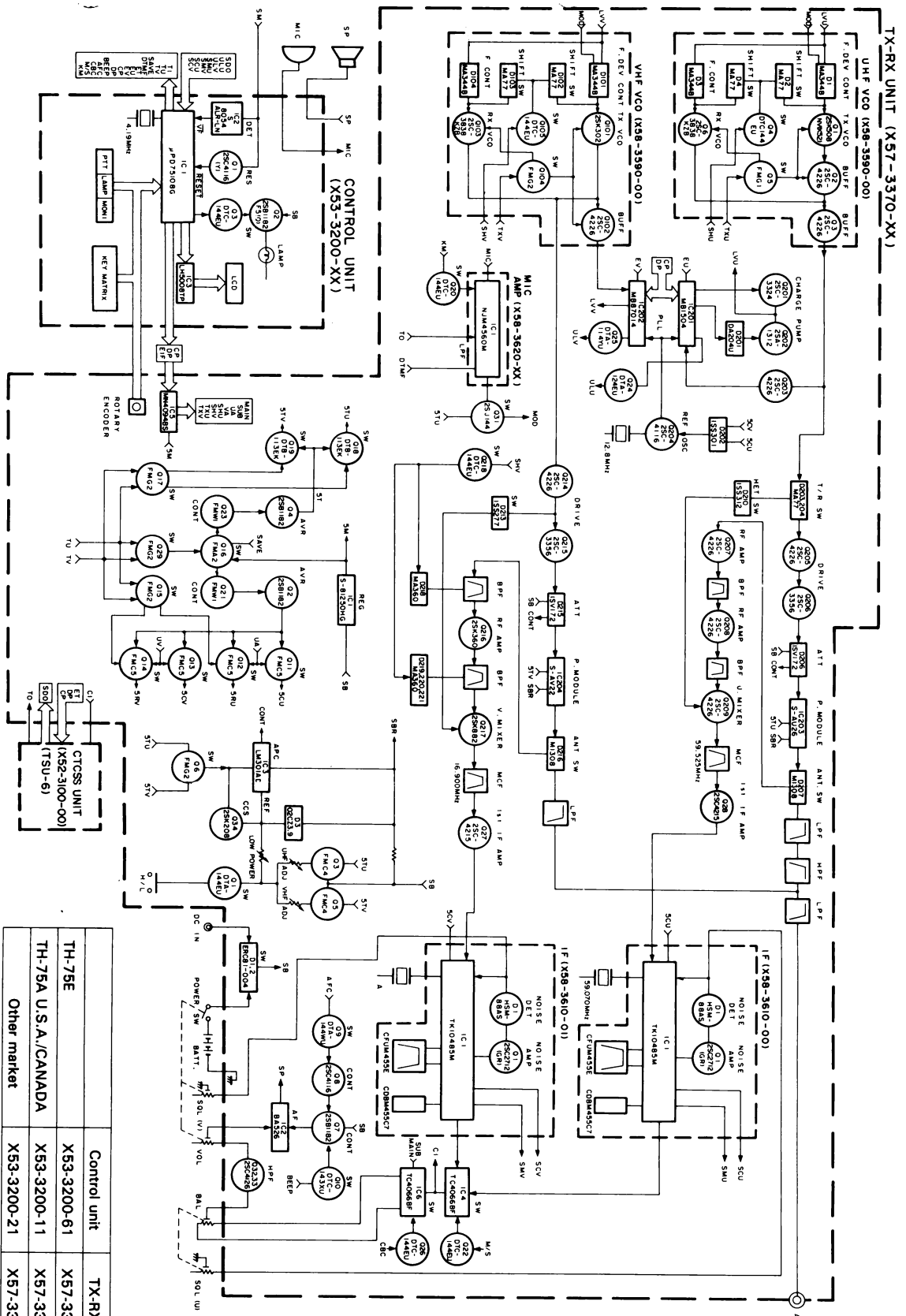
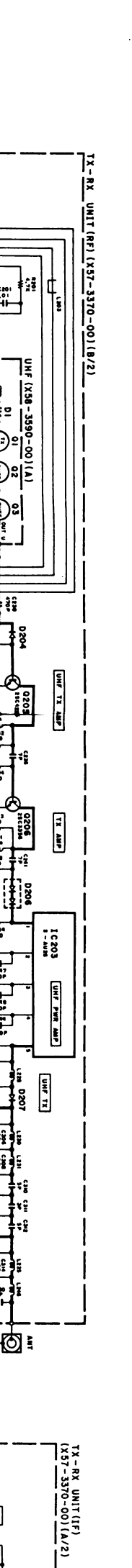


5. TH-75 BLOCK DIAGRAM



SCHEMATIC DIAGRAM



	Control unit	TX-RX unit	CTCSS unit	A	MIC AMP
TH-75E	X53-3200-61	X57-3370-61	OPTION	16.445 MHz	X58-3620-0
TH-75A U.S.A./CANADA	X53-3200-11	X57-3370-11	X53-3100-00	17.355 MHz	X58-3620-1
Other market	X53-3200-21	X57-3370-11	OPTION	17.355 MHz	X58-3620-0

	TH-75A	U.S.A. & CANADA
D-2	<input type="radio"/>	<input type="radio"/>
D-3	<input type="radio"/>	<input type="radio"/>
D-4	<input type="radio"/>	<input type="radio"/>
W-1	<input type="radio"/>	<input type="radio"/>

Kb2ljj Radio Mods Database

CONTROL UNIT (X53-3200-00)

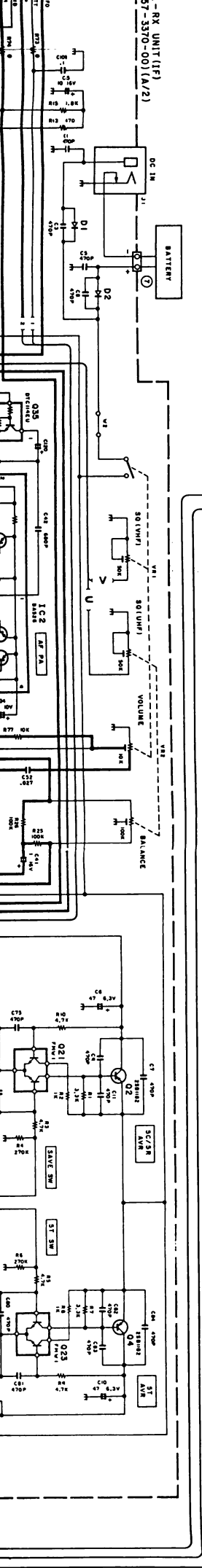
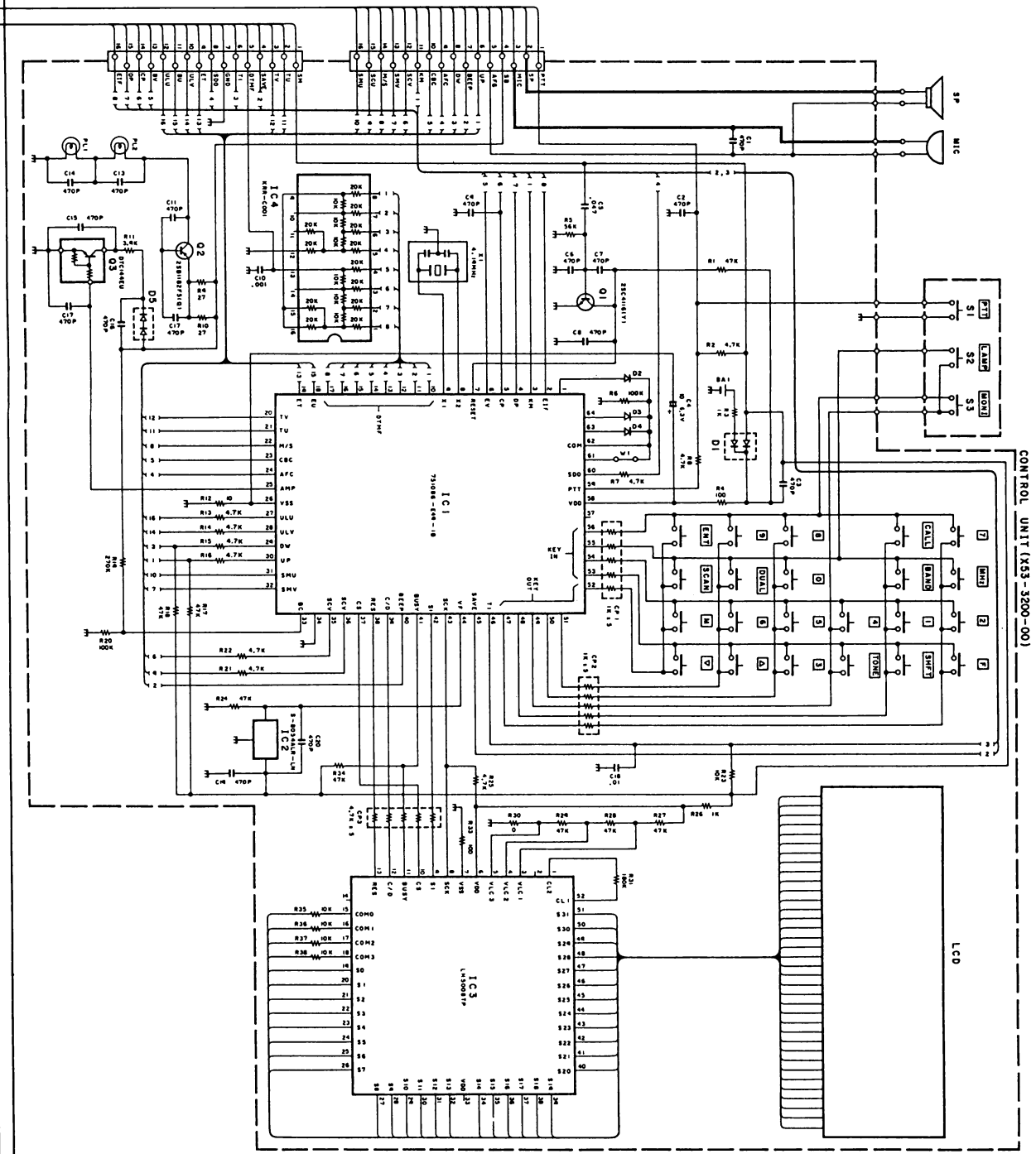
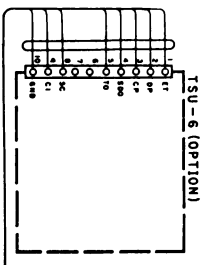
- (X53-3200-00)
- IC1 : 7508G-E49-1B
- IC2 : S-8054ALR-LN
- IC3 : LH5008TP
- IC4 : KRR-C001
- Q1 : SSC4181V1
- Q2 : SS8182F31(O)
- Q3 : DTC144EU
- D1 : DA202U
- D5 : DA204U
- (X57-3370-001A1/2)
- IC1 : S-81250HG
- IC2 : BA326
- IC3 : LM301AD
- IC4,6 : TC4066BF
- IC5 : MM40948S
- Q1 : DT144EU
- Q2,4,7 : SS8182
- Q3,4 : SS8182
- Q5,15,17,29 : FMC2
- Q8,30,32,33 : SSC418
- Q9 : DT144VU
- Q10 : DTC143XU
- Q11-14 : FMC5
- Q16 : FMA2

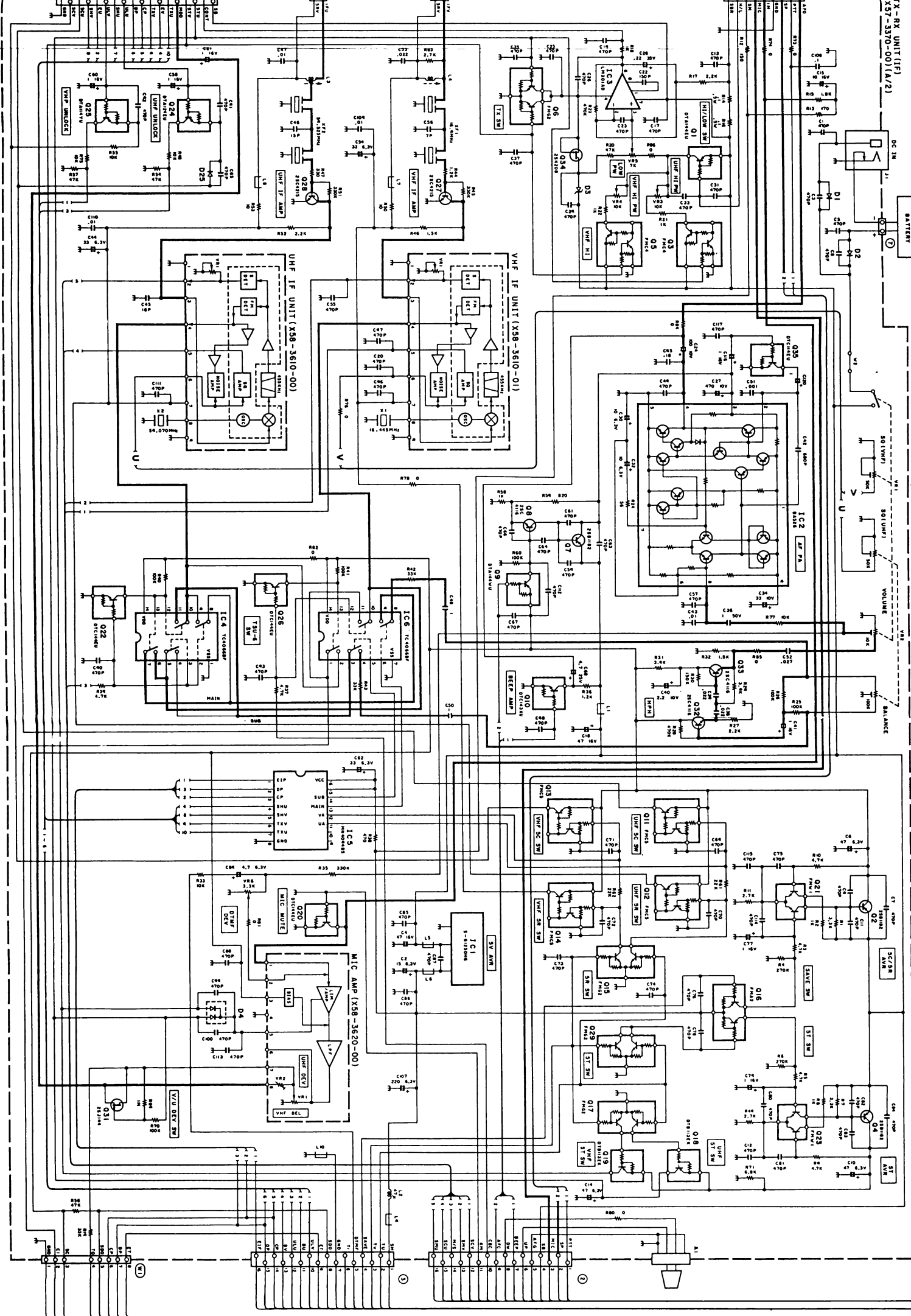
- 018,19 : DTB13EK
- 020,22,26 : DTC144EU
- 021,23 : FMW1
- 024 : DT1424EU
- 025 : DT1414VU
- 027,28 : SS8182
- 034 : 2SK208
- 035 : DTC144EU
- 01,2 : ERCE1-004
- 03 : 02CZ3,9
- 04 : IS3301
- 05 : MA110

CANADA	
TH-75E	○
TH-75A	○
other market	○

○ Used
X N/A

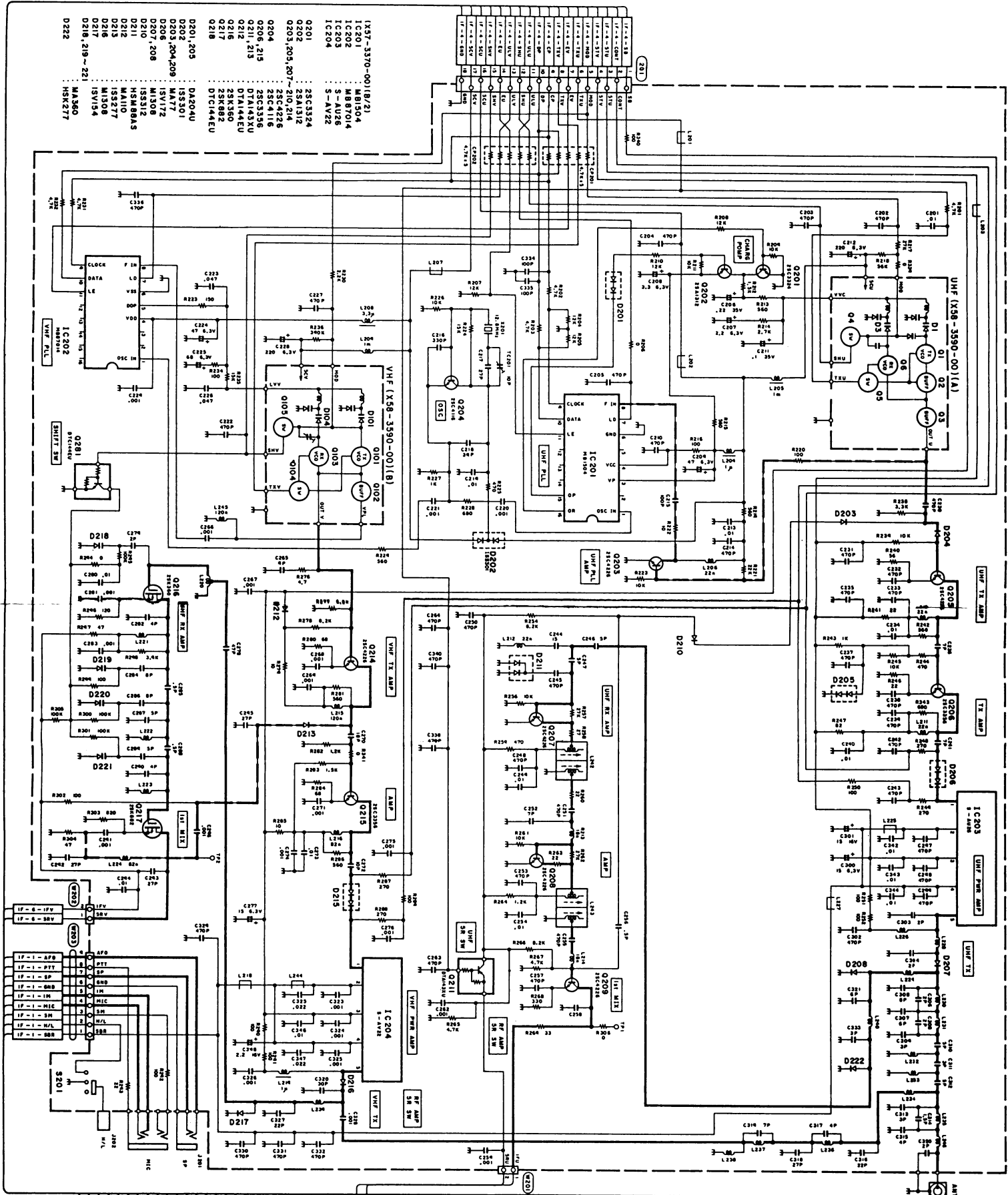
MIC AMP	
X58-3620-00	1z
X58-3620-11	1z
X58-3620-00	1z



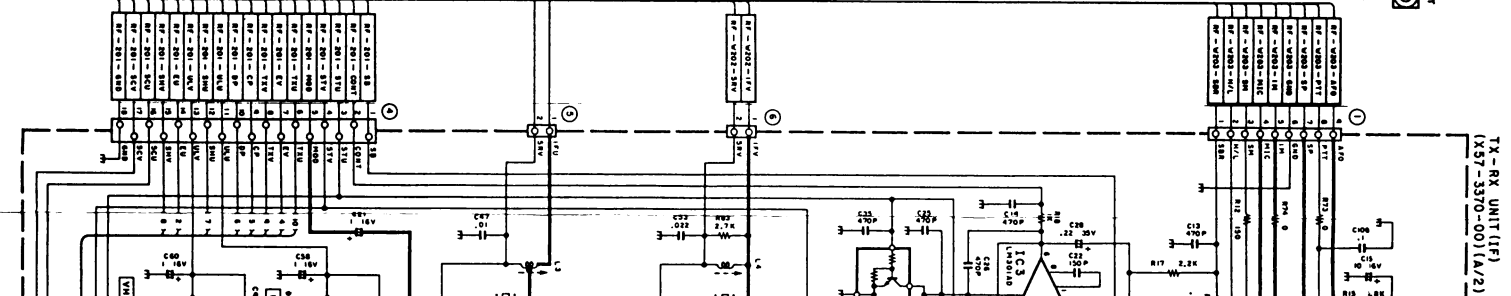


Note: Circuit is subject to change without notice due to advancements in technology.

TX - RX UNIT (RF) [X57-3370-00] (8/2)



- [X57-3370-00] (8/2)
- IC201 MB1504
- IC202 5-AU28
- IC203 5-AV22
- IC204
- Q201 25C3324
- Q202 25A132
- Q203 207-210, 214
- Q204 25C4116
- Q205 25C3326
- Q206 25A132
- Q207 25C4116
- Q208 25A132
- Q209 25C3324
- Q210 25A132
- Q211 25C4116
- Q212 25A132
- Q213 25C3324
- Q214 25A132
- Q215 25C4116
- Q216 25A132
- Q217 25C3324
- Q218 25A132
- Q219 25C4116
- Q220 25A132
- Q221 25C3324
- Q222 25A132
- Q223 25C4116
- Q224 25A132
- Q225 25C3324
- Q226 25A132
- Q227 25C4116
- Q228 25A132
- Q229 25C3324
- Q230 25A132
- Q231 25C4116
- Q232 25A132
- Q233 25C3324
- Q234 25A132
- Q235 25C4116
- Q236 25A132
- Q237 25C3324
- Q238 25A132
- Q239 25C4116
- Q240 25A132
- Q241 25C3324
- Q242 25A132
- Q243 25C4116
- Q244 25A132
- Q245 25C3324
- Q246 25A132
- Q247 25C4116
- Q248 25A132
- Q249 25C3324
- Q250 25A132
- Q251 25C4116
- Q252 25A132
- Q253 25C3324
- Q254 25A132
- Q255 25C4116
- Q256 25A132
- Q257 25C3324
- Q258 25A132
- Q259 25C4116
- Q260 25A132
- Q261 25C3324
- Q262 25A132
- Q263 25C4116
- Q264 25A132
- Q265 25C3324
- Q266 25A132
- Q267 25C4116
- Q268 25A132
- Q269 25C3324
- Q270 25A132
- Q271 25C4116
- Q272 25A132
- Q273 25C3324
- Q274 25A132
- Q275 25C4116
- Q276 25A132
- Q277 25C3324
- Q278 25A132
- Q279 25C4116
- Q280 25A132
- Q281 25C3324
- Q282 25A132
- Q283 25C4116
- Q284 25A132
- Q285 25C3324
- Q286 25A132
- Q287 25C4116
- Q288 25A132
- Q289 25C3324
- Q290 25A132
- Q291 25C4116
- Q292 25A132
- Q293 25C3324
- Q294 25A132
- Q295 25C4116
- Q296 25A132
- Q297 25C3324
- Q298 25A132
- Q299 25C4116
- Q300 25A132



TX - RX UNIT (RF)
[X57-3370-00] (A/2)