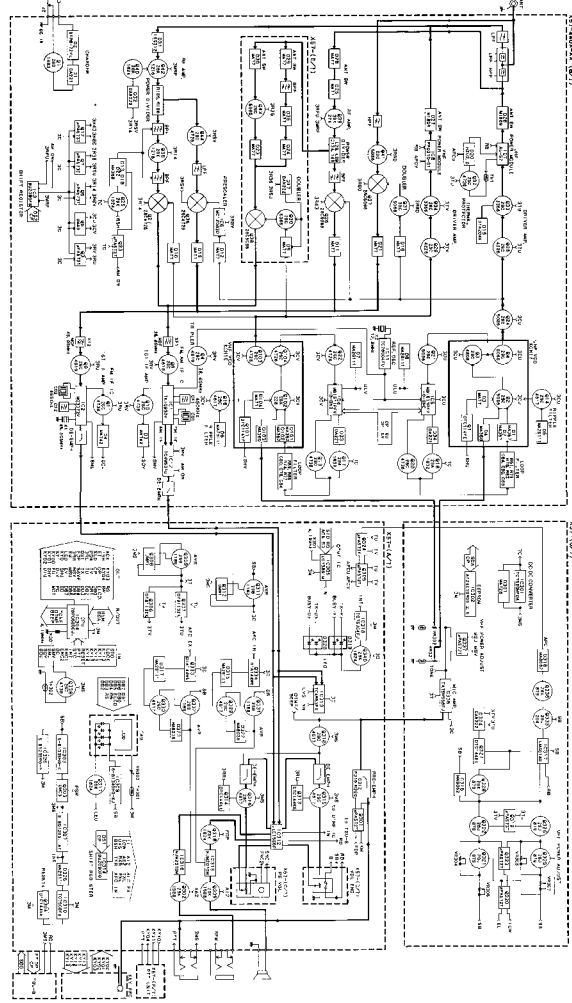


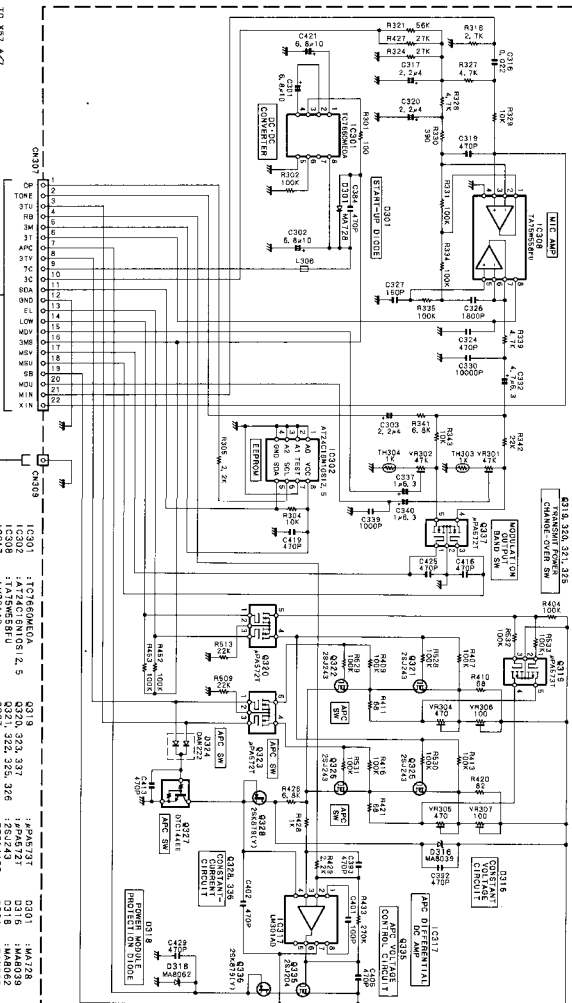
BLOCK DIAGRAM



TH-79A/E

SCHEMATIC DIAGRAM (3/3)

SCHEMATIC DIAGRAM (3/3)  
(X57-440X-KX) (077) CONTROL DAUGHTER UNIT I

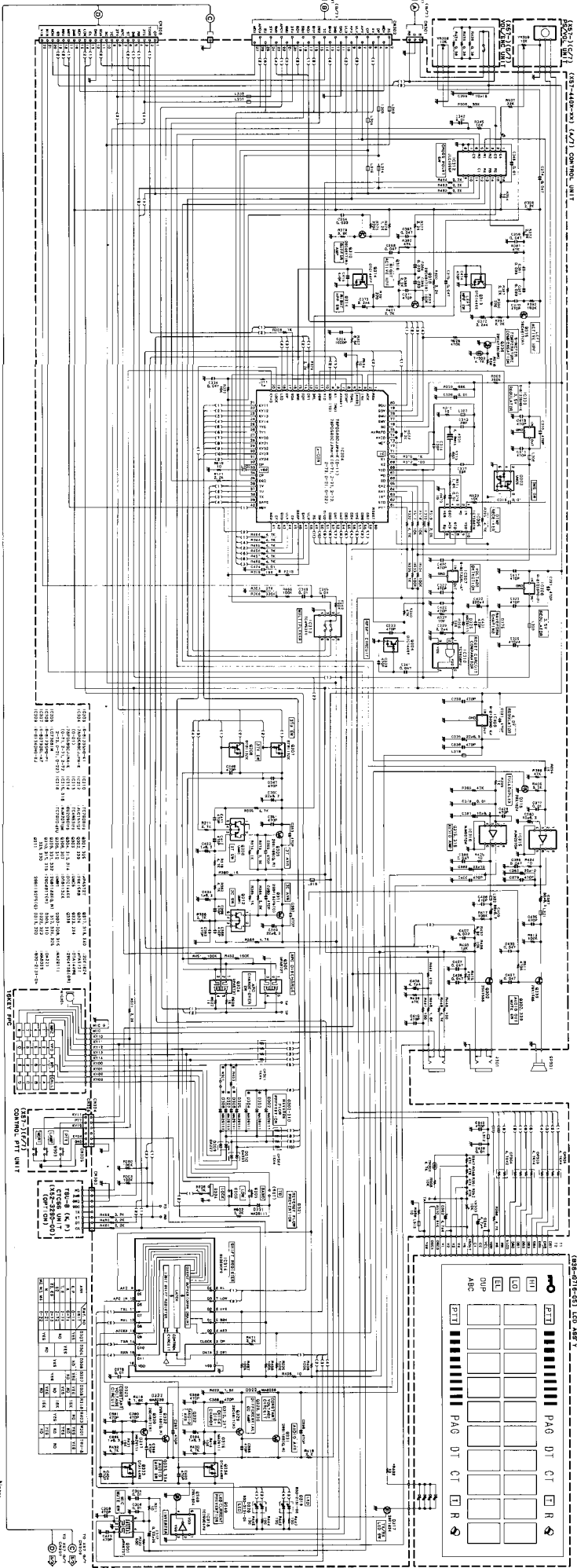


TH-79A/E (D/2)

NOTE: CHANGE AND SUBJECT TO CHANGE OR WITHOUT NOTICE. SEE DRAWING FOR THE LATEST REVISIONS TO THIS FILE.

IC301	1-TC54C000A	Q310	1-AM6889
IC302	1-AT72AC18N05 2.5	Q320	320, 323, 337
IC303	1-AT72AC18N05 2.5	Q321	322, 325, 326
IC317	1-7403740	Q324	1-AM6882
		Q328, 336	1-DM622
		Q335	1-78L204





Standard LASAP

Notes: Contents are subject to design without