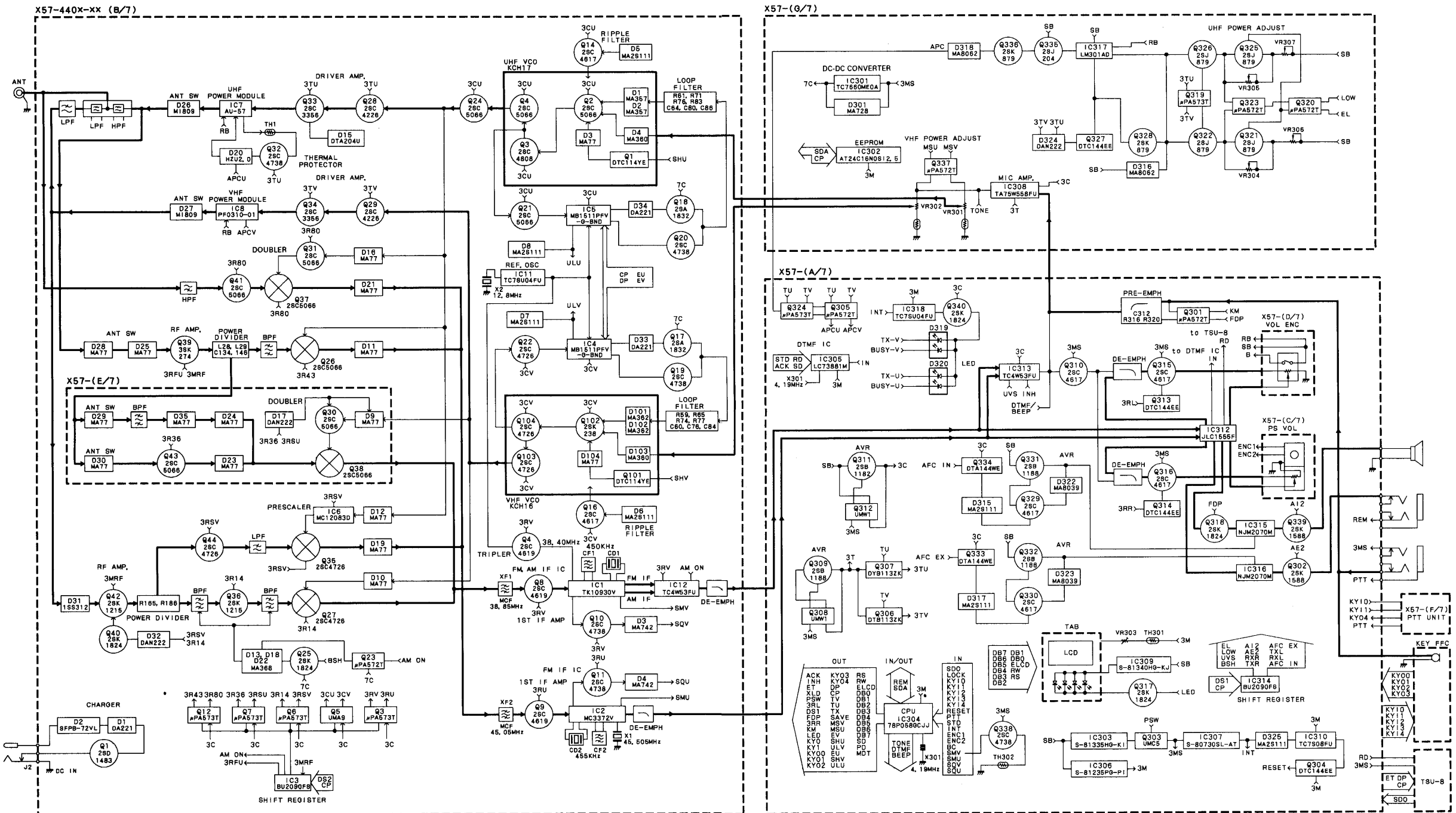


BLOCK DIAGRAM

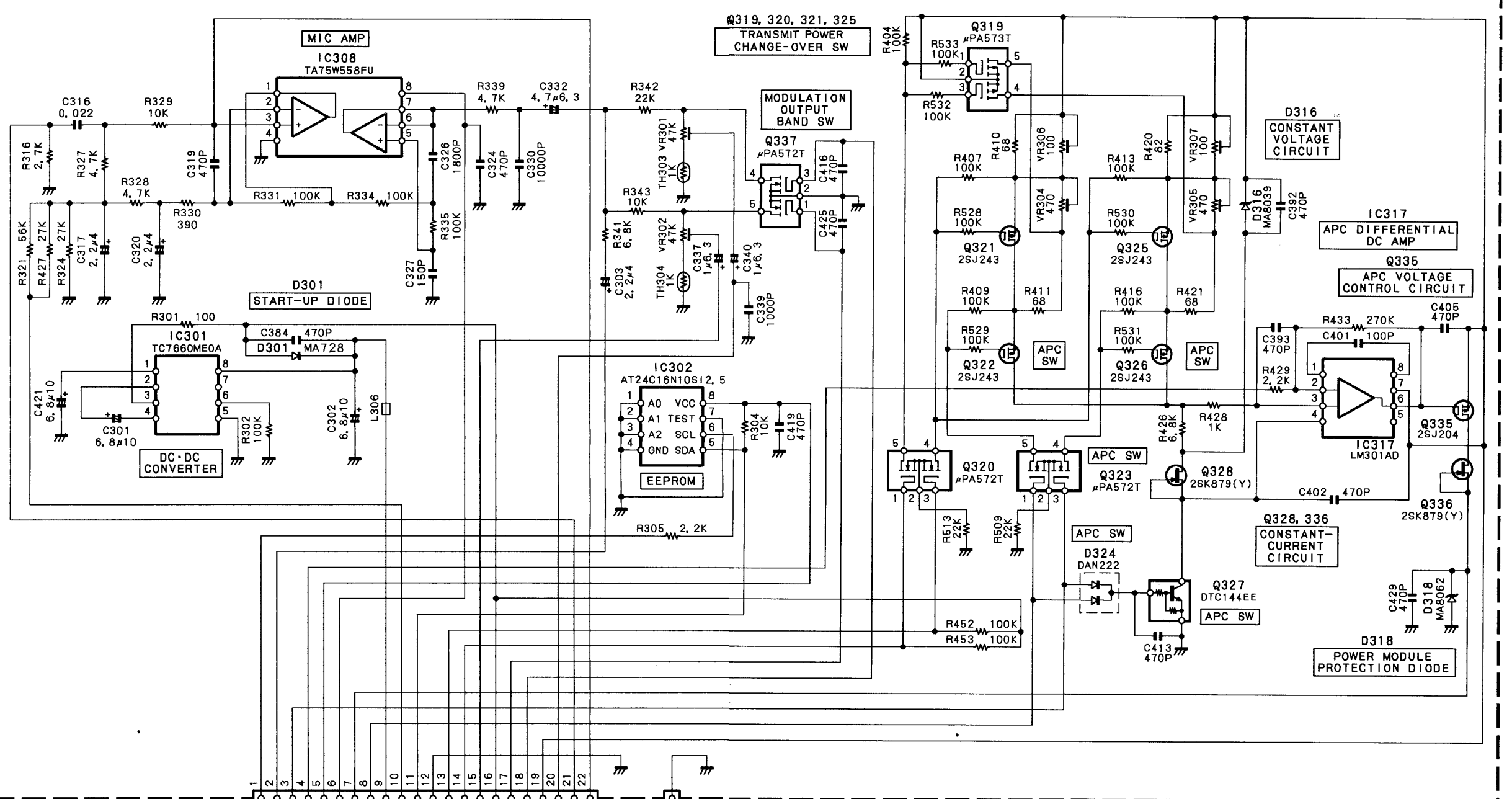


Scan&Edit UA6AP

TH-79A/E

Note:
Circuits are subject to change without notice due to advancements in technology.

SCHEMATIC DIAGRAM (3/3)
(X57-440X-XX) (G/7) CONTROL DAUGHTER UNIT



TO X57 A/7
TO X57 A/7
CN309

TH-79A/E (2/2)

IC301	: TC7660ME0A	Q319	: #PA573T	D301	: MA728
IC302	: AT24C16N10S12, 5	Q320, 323, 337	: #PA572T	D316	: MA8039
IC308	: TA75W558FU	Q321, 322, 325, 326	: 2SJ243	D318	: MA8062
IC317	: LM301AD	Q327	: DTC144EE	D324	: DAN222
		Q328, 336	: 2SK879(Y)		
		Q335	: 2SJ204		

Note:
Circuits are subject to change without notice due to advancements in technology.