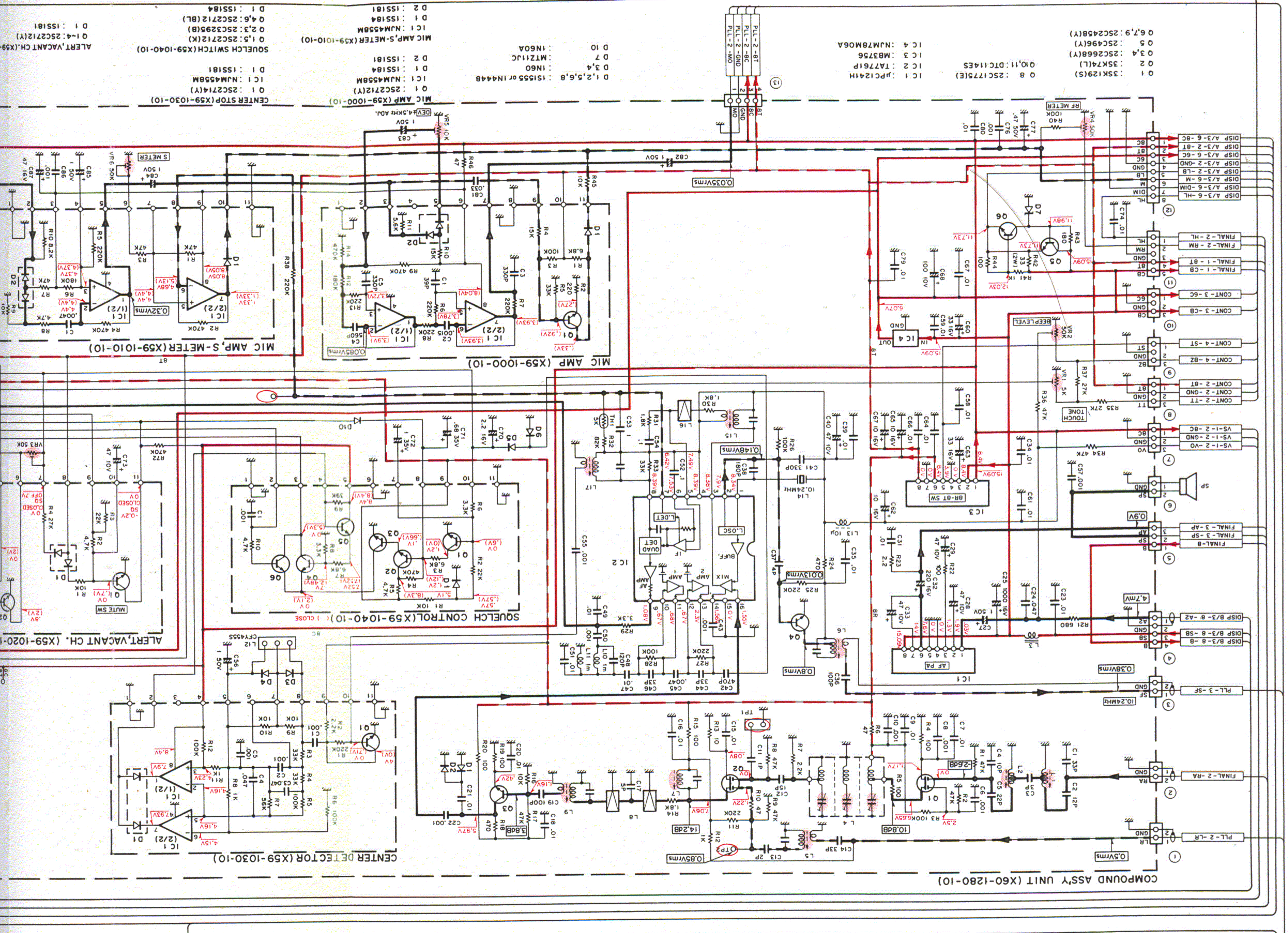
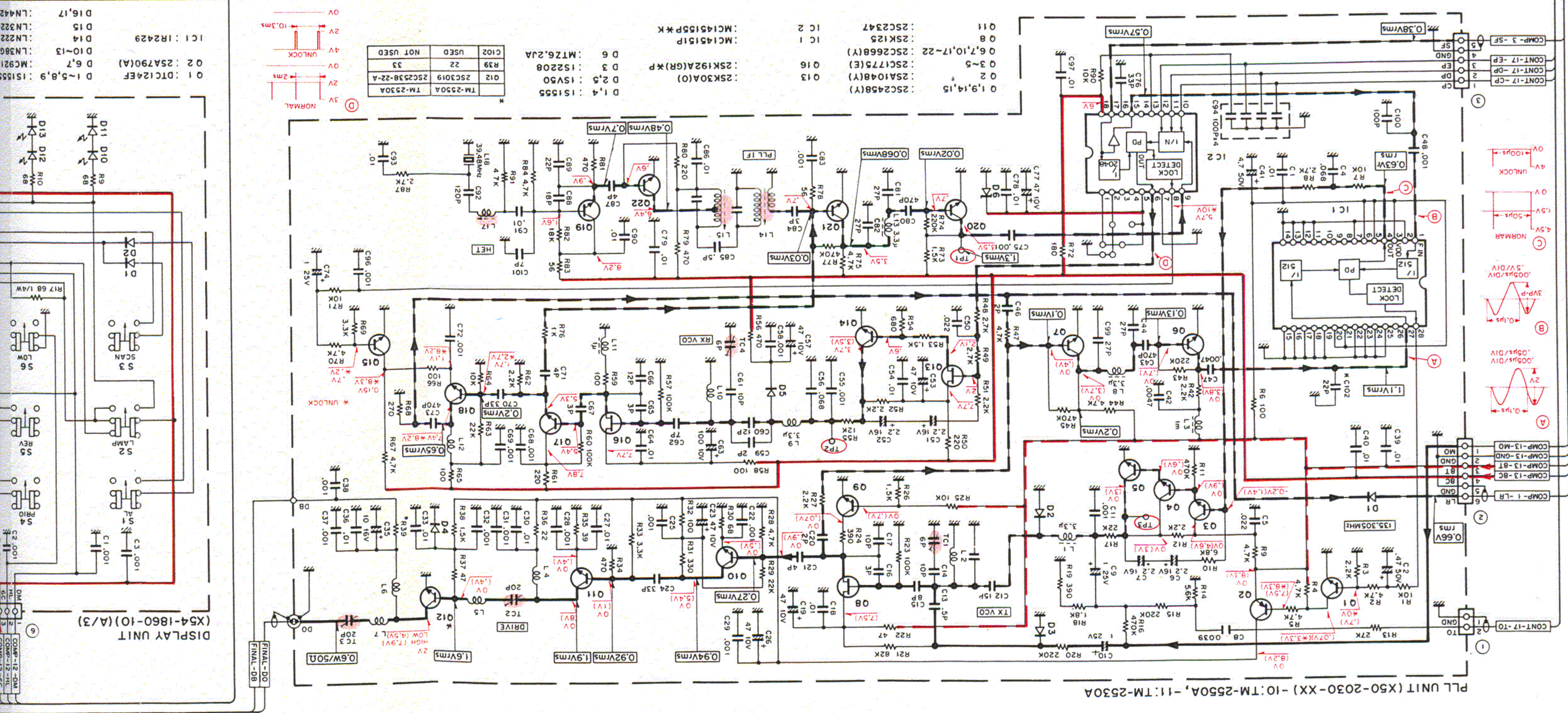
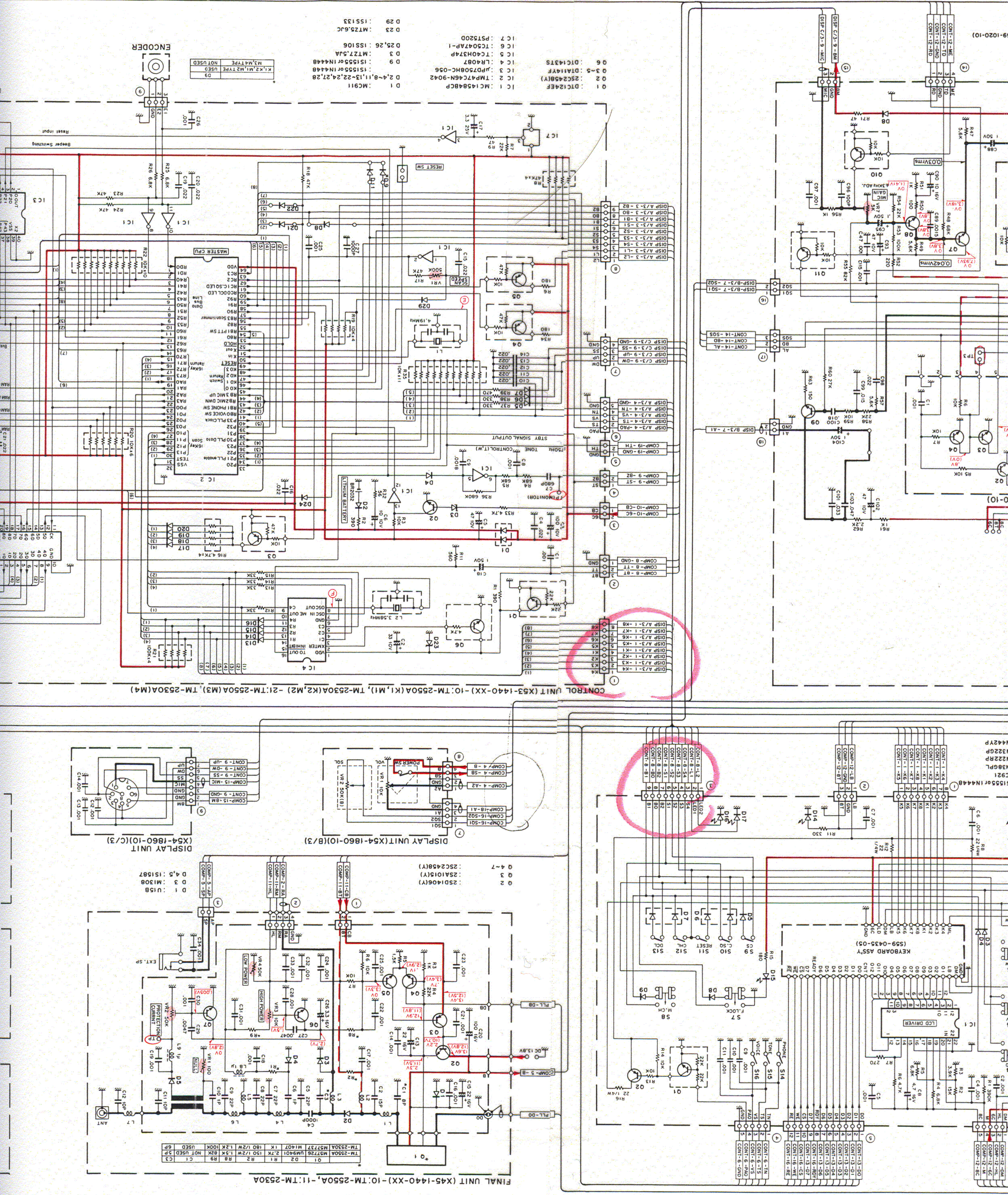


Signal line — Control line — Common DC line — 8T line — Voltage measurement condition



ions f = 144.00MHz, RX no signal, () : TX.

SCHEM



- 01 : DTC124EF
- 02 : 25C2458(Y)
- 03 : DTA114(Y)
- 06 : DTC143TS
- IC1 : MC1458BCP
- IC2 : TMP47C46N-9042
- IC3 : JPD7508HC-056
- IC4 : LR4087
- IC5 : TC40H374P
- IC6 : TC50474P-1
- IC7 : PST520D
- D23 : MT25.6JC
- D29 : 15S133
- D25,26 : 15S106
- D3 : MTZ7.5JA
- D9 : 151550r IN4448
- D,2,4-8,11,13-22,24,27,28 : 151550r IN4448
- D1 : MC911

K1, K2, M1, M2 TYPE	USED
M3, M4 TYPE	NOT USED
D9	

