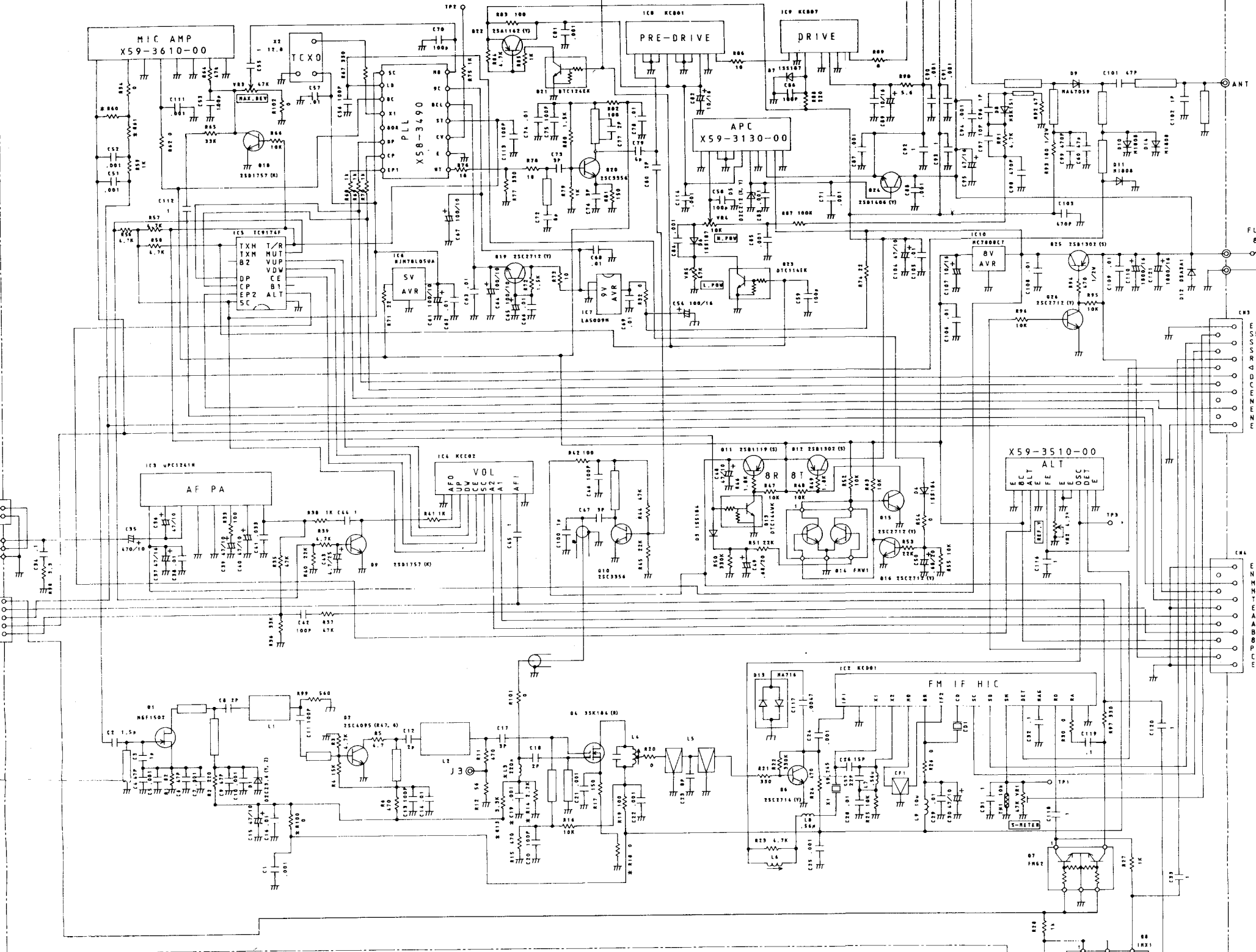


X57-3340-00, 11, 61 A/2

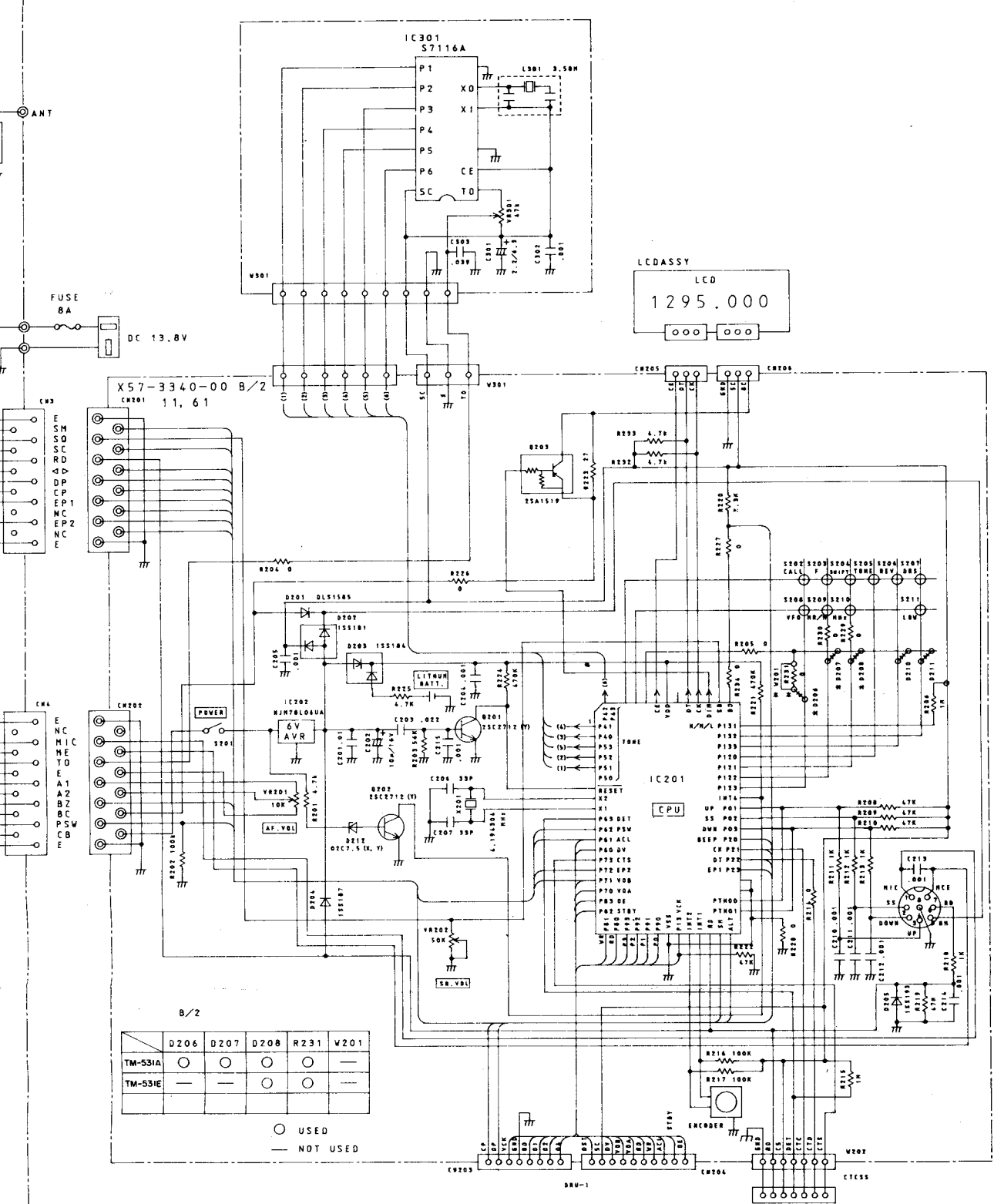
M67711



A/2

	R7	R8	R9	R10	R13	R14	R18	R43	R60	R61	R100	R101	C19	Q3	Q5	L3	D2	Q17	IC1
TM-531A	—	—	—	—	—	—	○	—	3.9k	2.2k	○	○	—	—	—	○	○	○	○
TM-531E	—	—	—	—	—	—	○	—	10k	0	○	○	—	—	—	—	—	—	—

○ USED  
— NOT USED

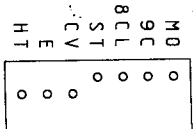
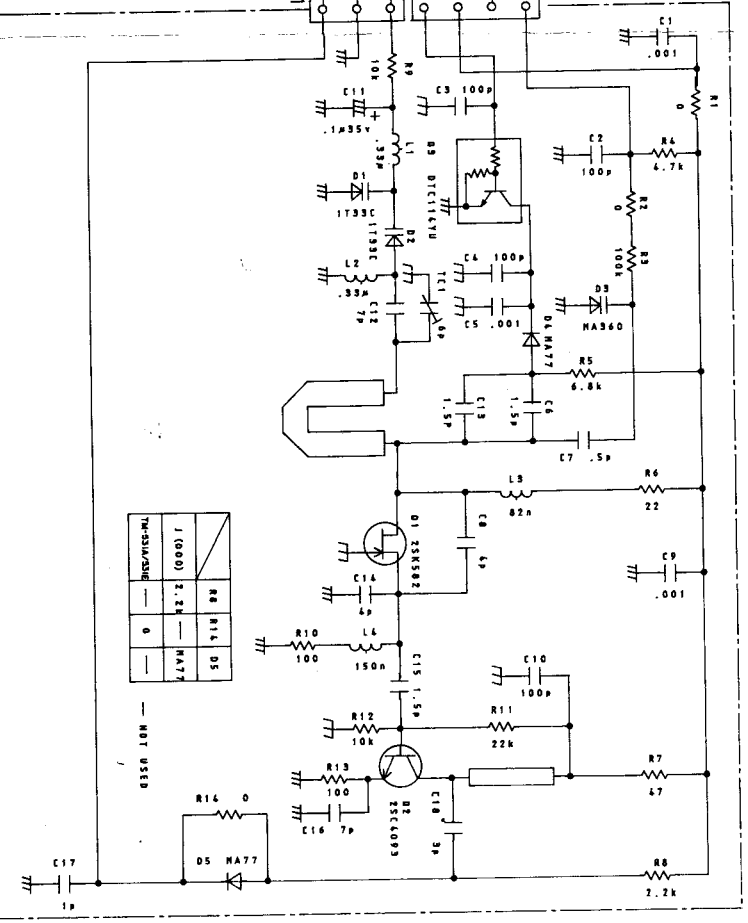
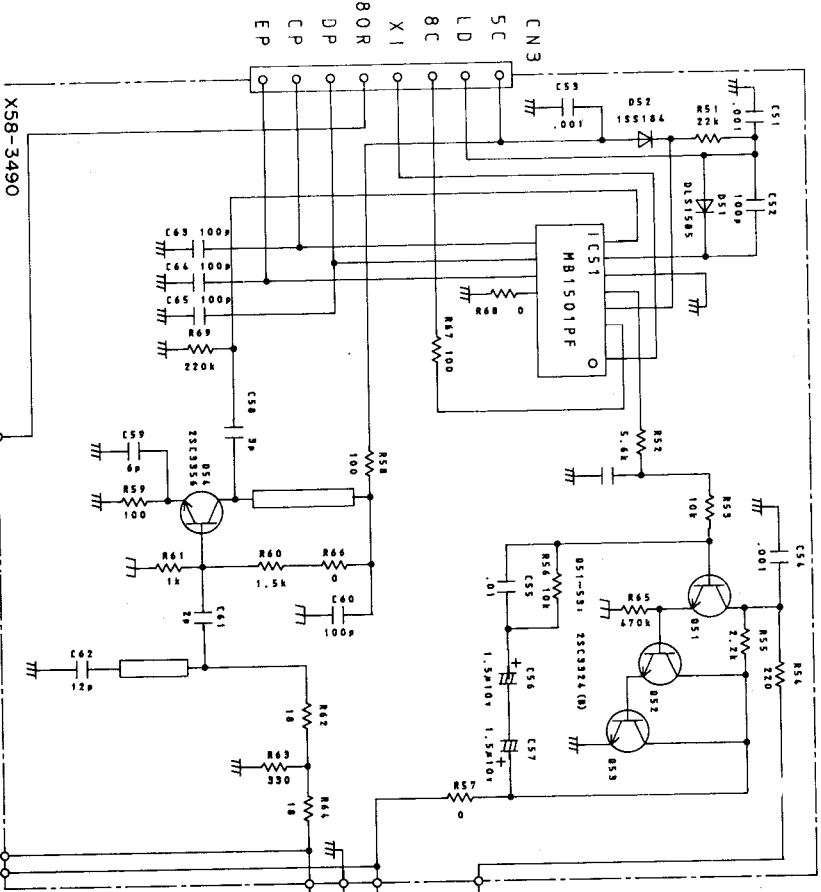


B/2

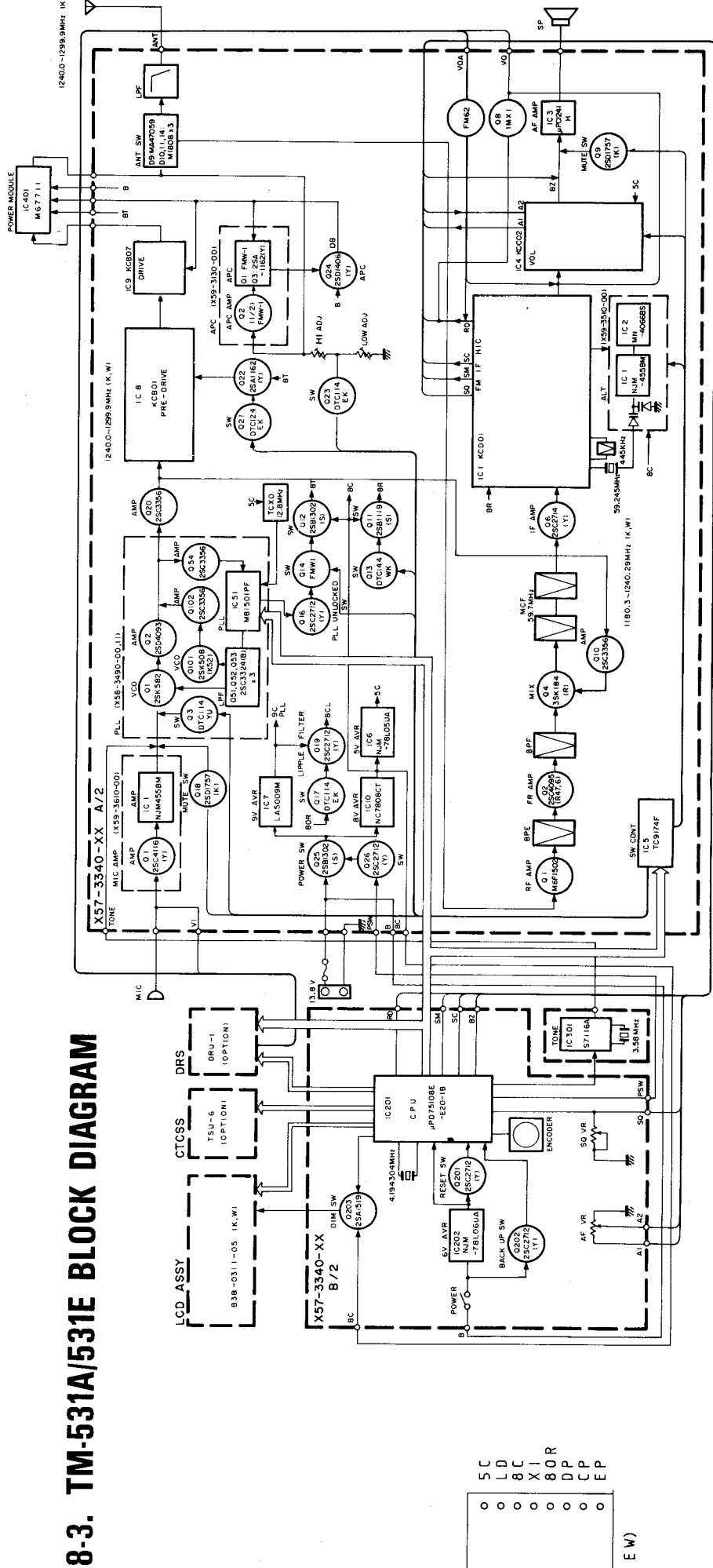
	D206	D207	D208	R231	W201
TM-53IA	○	○	○	○	—
TM-53IE	—	—	○	○	—

○ USED  
 — NOT USED

	R7	R8	R9	R10	R13	R14	R18	R43	R60	R61	R100	R101	C19	Q3	Q5	L3	D2	Q17	IC1
TM-531A	---	---	---	---	---	---	○	---	3.9K2.2K	○	○	○	---	---	---	○	○	○	○
TM-531E	---	---	---	---	---	---	○	---	10K 0	○	○	○	---	---	---	---	---	---	---



# 8-3. TM-531A/531E BLOCK DIAGRAM



- 5C
- LD
- 8C
- XI
- 80R
- DP
- CP
- EP

I E W)

**Note:**  
Circuit is subject to change without notice due to advancements in technology.