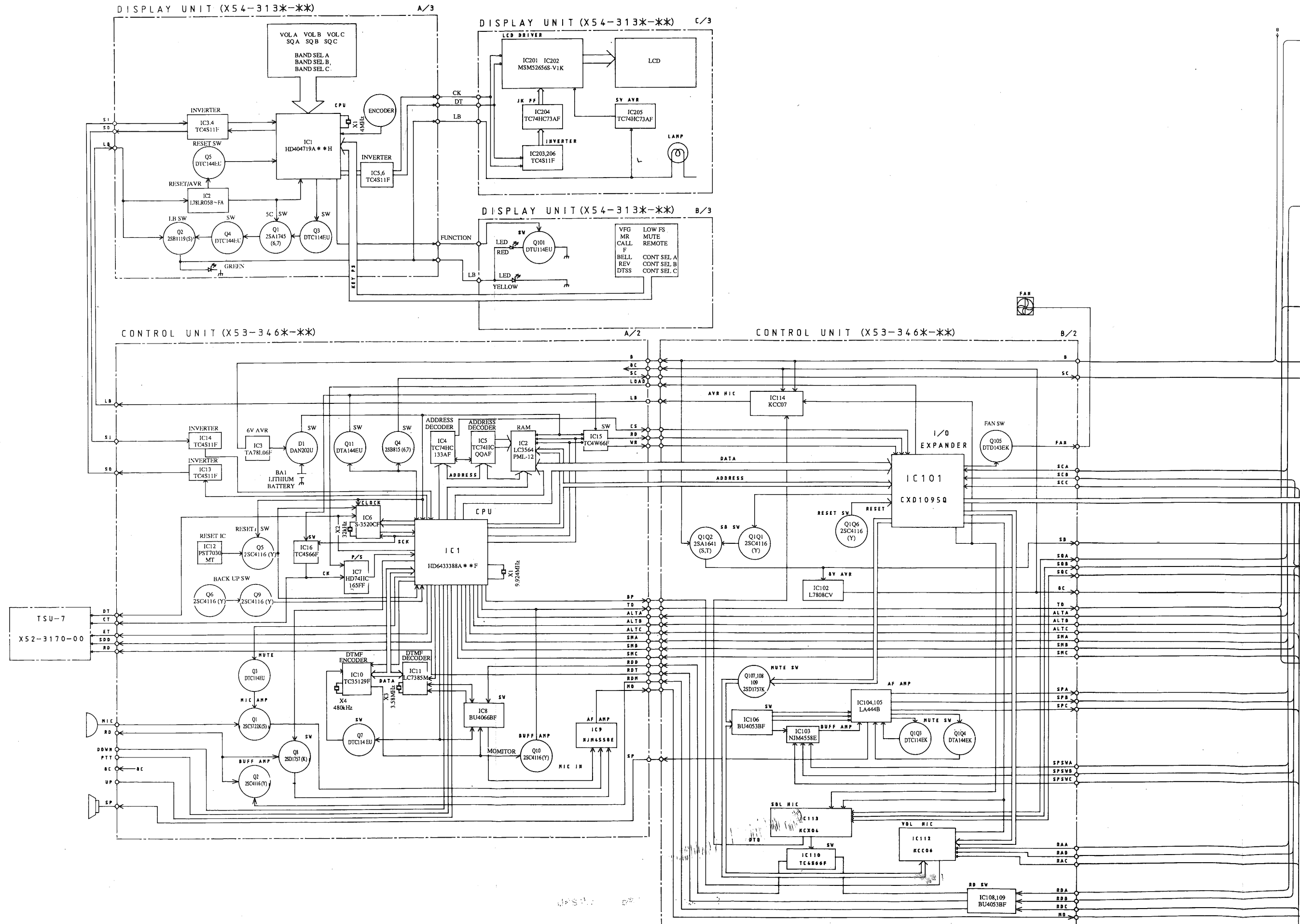
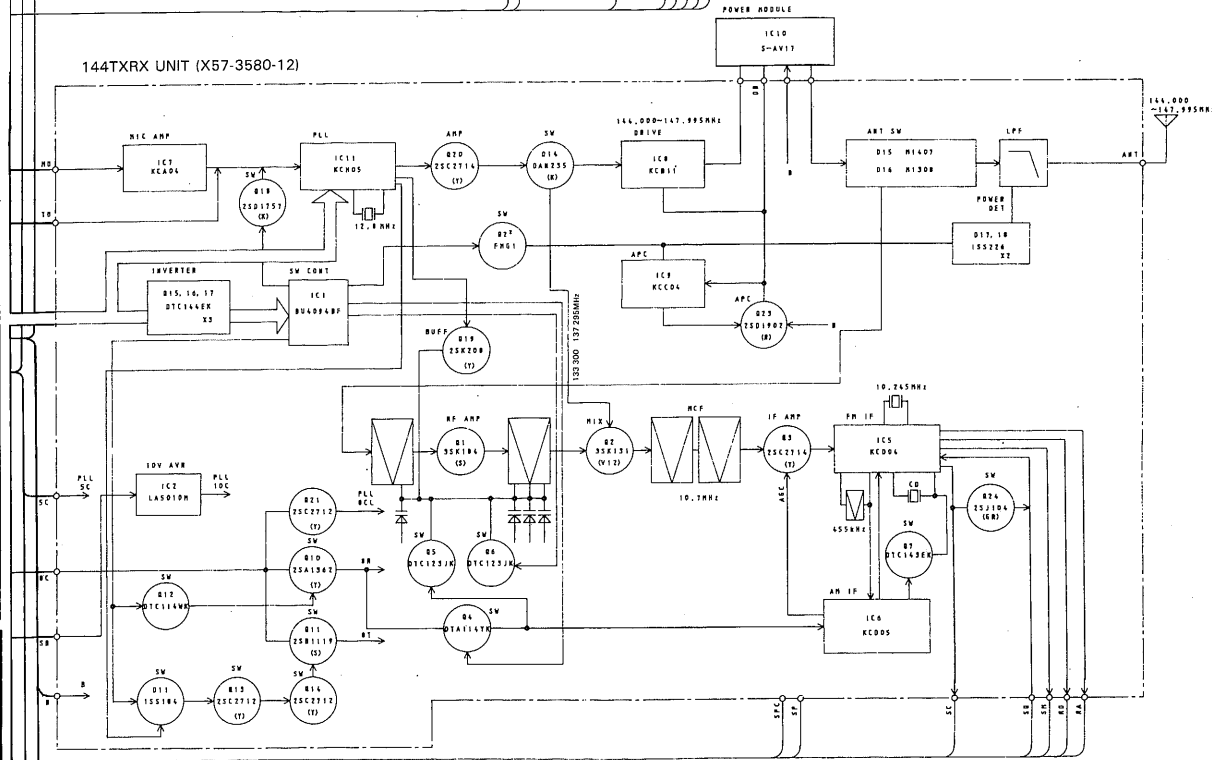


TM-642A BLOCK DIAGRAM

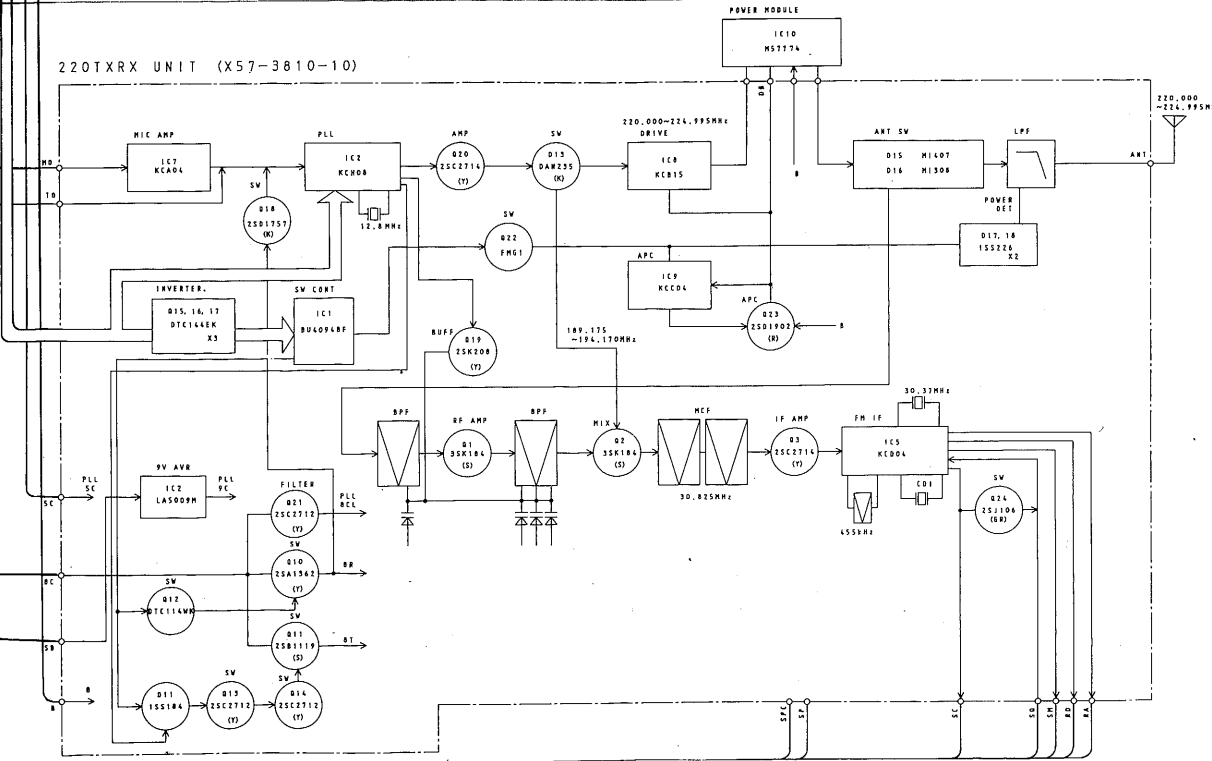


OPTION

144TXRX UNIT (X57-3580-12)

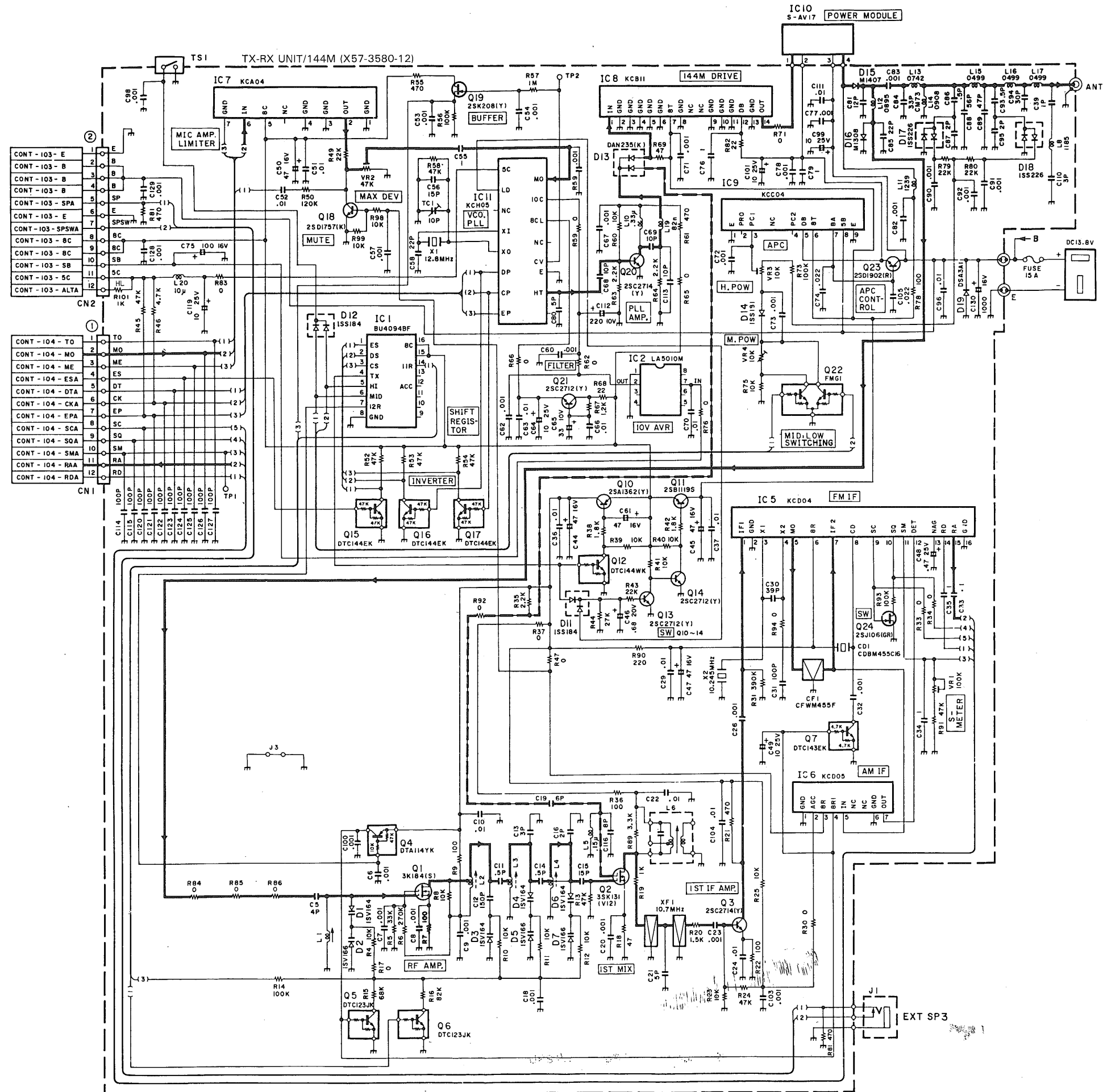


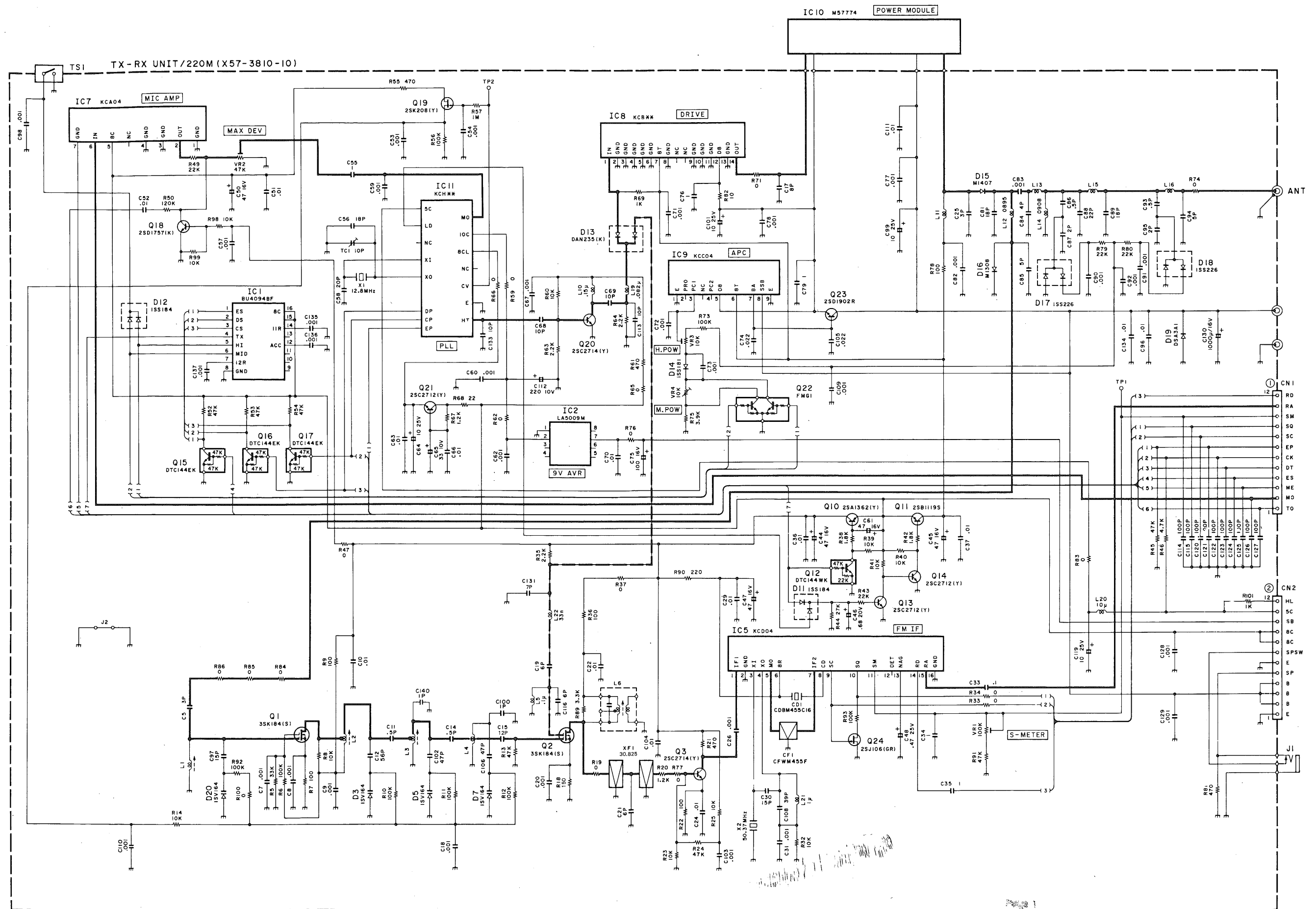
220TXRX UNIT (X57-3810-10)



Note: Circuits are subject to change without notice due to advancements in technology.

TM-642A SCHEMATIC DIAGRAM





Note:
Circuits are subject to change without notice due to advancements in technology.