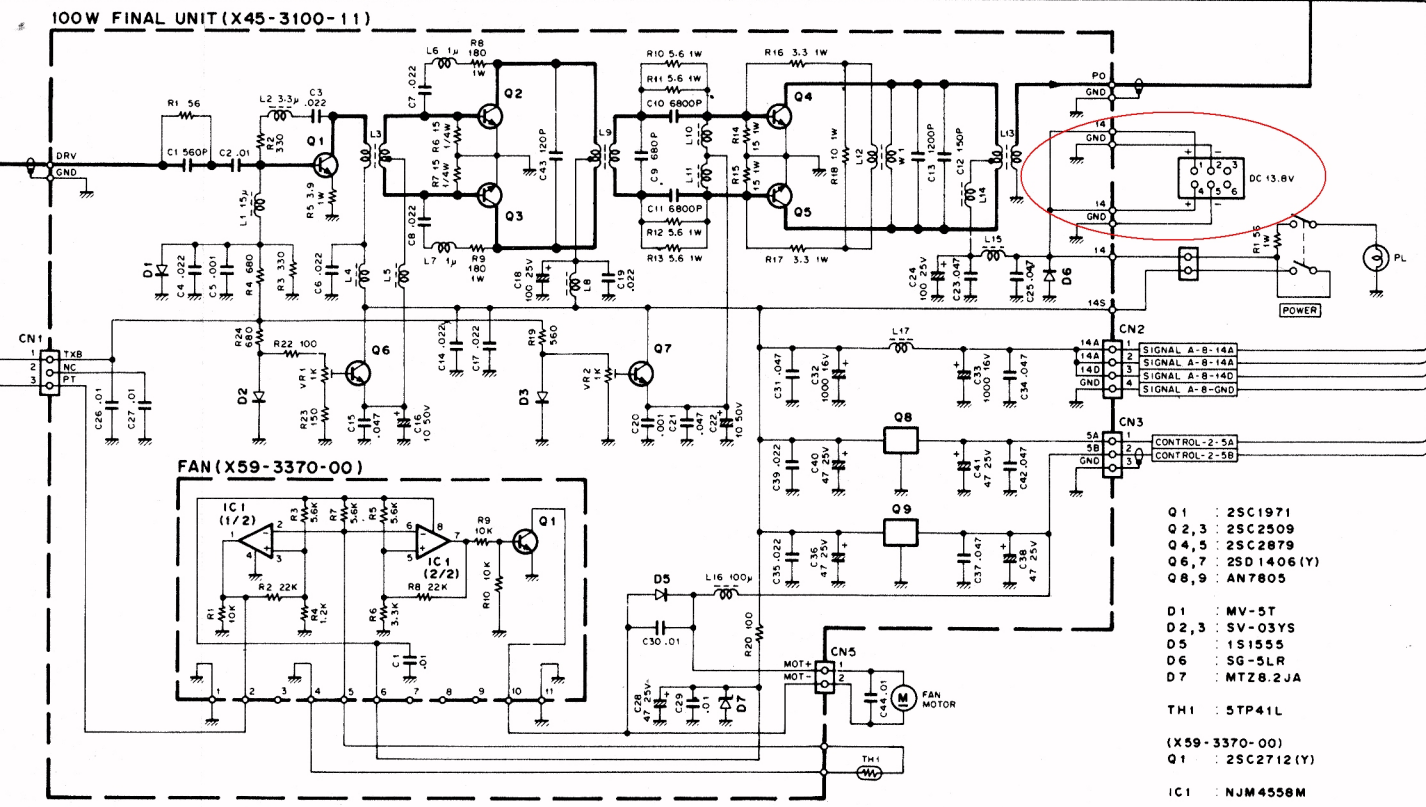
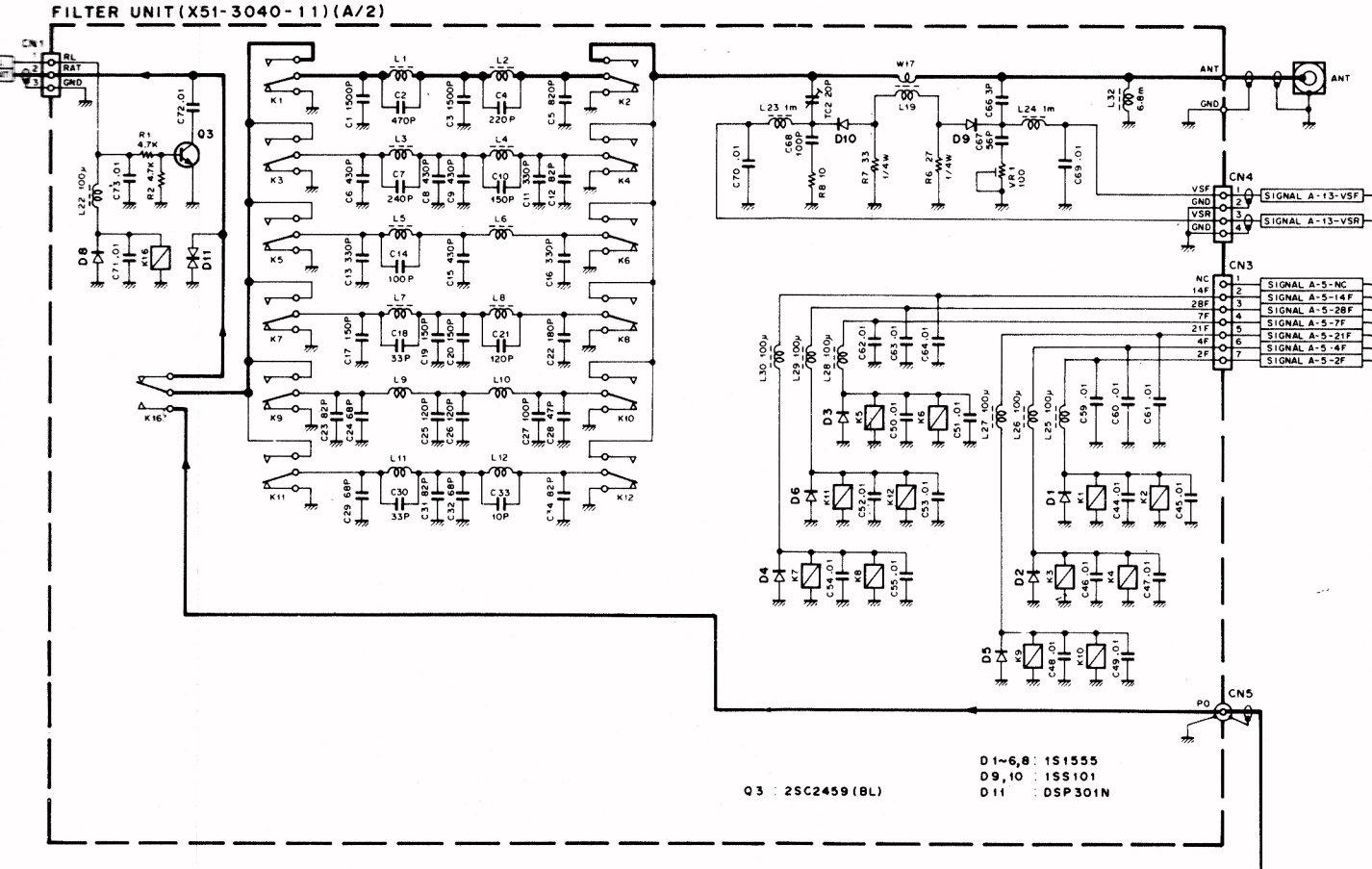


TS-140S_DC-plug Diagram



Note: Circuit Diagram is subject to change without notice due to advancements in technology.