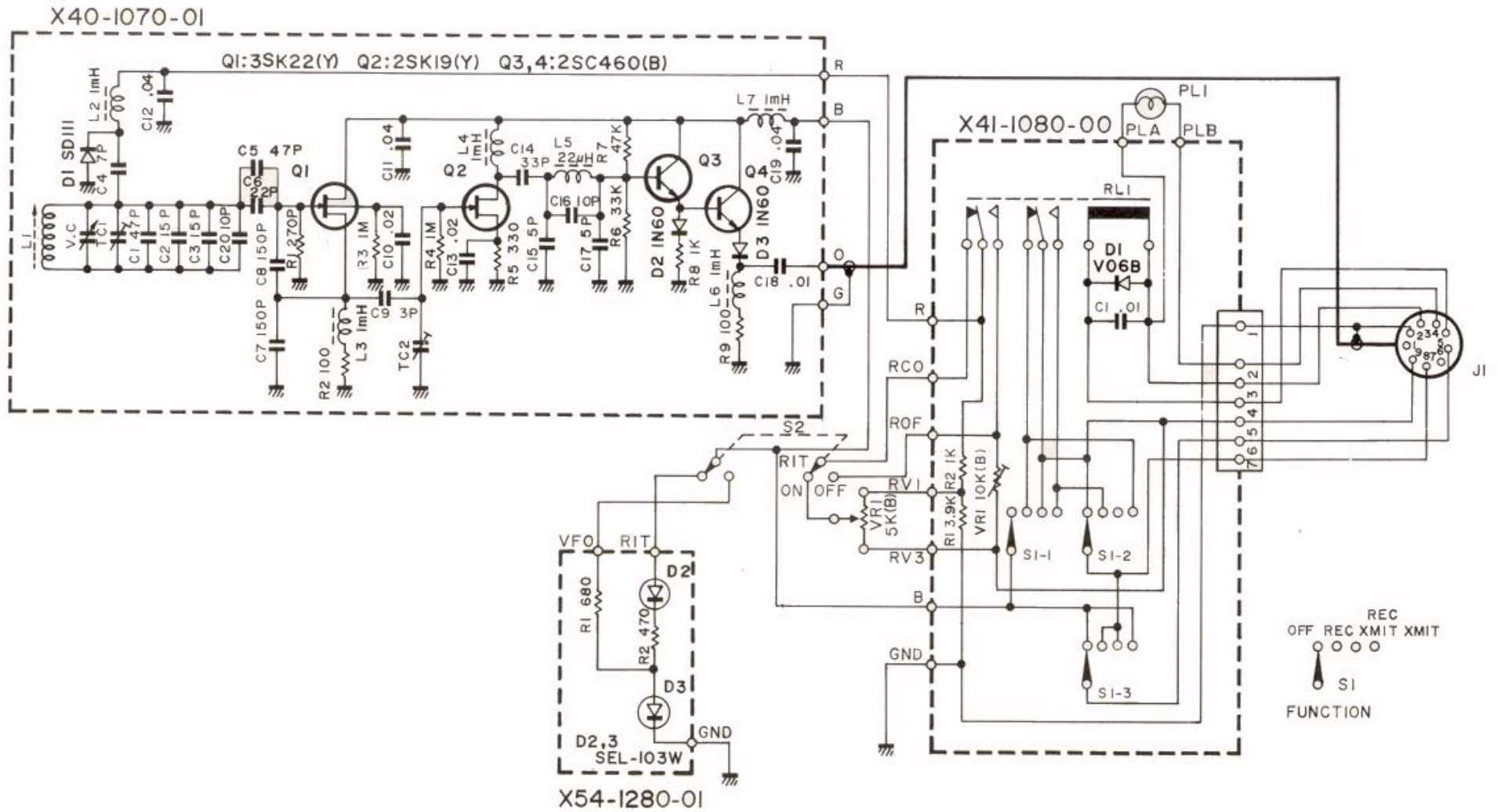


VFO-520d SCHEMATIC DIAGRAM



VFO-520S