

INSTRUCTION MANUAL

FT-101

YAESU MUSEN CO., LTD.

TOKYO JAPAN.

FT-101

SSB TRANSCEIVER



GENERAL DESCRIPTION

The model FT-101/277 SSB Transceiver is a precision built, compact high performance transceiver of advanced design providing SSB (USB, LSB selectable), CW and AM modes of operation. The transceiver operates at an input of 260 watts SSB, 180 watts CW and 80 watts AM on all bands 160 to 10 meters.

All circuits, except the transmitter driver and linear amplifier, are transistorized and composed of standard computer type plug-in modules, permitting easy maintenance.

The transceiver is self-contained, requiring only an antenna and an A.C. mains for home, portable or mobile operation. The transceiver may be operated from 100/110/117/200/220/234 volts AC when appropriately wired but is normally supplied for 117 volt AC and 12 volt DC operation. The two-way solid state power supply is an integral part of the unit. Two power cords are provided with the transceiver. Selection of AC or DC power source is automatically made when the proper line cord plug is inserted.

For mobile operation a separate switch is provided on the front panel to turn off the tube heaters while in

the receive mode. In this mode the transceiver draws only 0.5 amp. less than your auto dash lights.

All accessories, such as VOX, break-in CW with side-tone, 25 and 100 KHz calibrators, noise blanker, 10 MHz WWV are built-in. In addition, dual VFO adaptor, crystal control adaptor, speaker and clarifier are integral parts of the unit. Provision is made for the installation of 600 Hz crystal filter for the expert CW-DX operator. The CW filter is selected automatically when the transceiver mode switch is placed in the CW position.

The entire transceiver weighs approximately 30 pounds, is 13 1/2" wide, 6" high, 11 1/2" deep. Construction is of heavy-gauge steel which provides an extremely rugged package, virtually immune to the effects of vibration and shock.

The SP 101P/277P, combination phone patch and external speaker, is a valuable optional accessory for base operation. The unit features an elliptical type speaker for high quality voice reproduction. Other optional equipment includes the FV-101/277 external VFO and mobile mounting brackets.

SPECIFICATIONS

Frequency Range	1.8-30 MHz amateur bands, (160 thru 10m) 26.9-27.5 MHz (CB) 10-10.5 MHz (WWV) (160meter band crystal option)
Type of Emission	USB or LSB (selectable) CW, AM
Power Input	SSB 260 Watts PEP CW 180 Watts 50% duty cycle AM 80 Watts (slightly lower on 10 meters)
Carrier Suppression	50 db
Sideband Suppression	50 db at 1000 Hz
Spurious Radiation	Down 40 db or more
Transmitter Frequency Response	300 Hz - 2700 Hz \pm 3 db
Distortion Products	Down 30 db or more
Antenna Output Impedance	50 - 75 ohm unbalanced
Frequency Stability	Less than 100 Hz drift in any 30 minute period
Sensitivity	0.3 uV S/N 10 db
Selectivity	(2.4 KHz at 6 db) (4.5 KHz at 60 db) SSB, AM, CW (600 Hz at 6 db) (1.2 KHz at 60 db) CW filter (option)
Audio Output	3 Watts
Power Consumption	AC Receive 35 Watts Transmit 300 Watts Max. DC 12V Standby 0.5 Amp. Transmit 20 Amps. Max.
Dimensions	13 1/2" wide, 6" high, 11 1/2" deep
Weight	Approx. 30 Pounds

INSTALLATION

General ;

The transceiver is designed to provide a complete single unit installation for fixed, portable, or mobile operation. Two prewired plugs are furnished with the unit for AC or DC voltages operation. This system provides the flexibility required for various installations and allows rapid change from fixed to mobile operation.

Base Station Installation ;

The transceiver is designed for use in many areas of the world using supply voltages that may differ from the operators local supply voltage. Therefore, before connecting the AC cord to the power outlet, be sure that the voltage marked on the rear of the transceiver agrees with the local AC supply voltage.

CAUTION

Permanent damage will result if improper AC supply voltage is applied to the transceiver.

The transceiver should be connected to a good ground. The ground lead should be connected to the terminal marked GND located on the rear panel of the transceiver.

Mobile Installation ;

The transceiver will operate satisfactorily from any 12 volt negative-ground battery source by connecting the DC power cord to the rear panel receptacle. For under-dash mounting, a special mounting bracket is available from your dealer. A location should be selected clear of heater ducts. No special mounting precautions need be observed if adequate ventilation space is available. A minimum of two inches of air space above the cabinet top and on all sides is recommended to allow proper air flow around the cabinet. Never stack other units above or below the cabinet since the accumulated heat from both units could cause permanent damage.

The transceiver requires an average of 14 amps on transmit and 20 amps on voice peaks. The fuse in the DC power cable should be rated at 20 amps. When making connections to the car battery, be certain that the RED lead is connected to the positive (+) terminal and the BLACK lead to the negative (-) terminal of the battery. Reversed connections could permanently

damage the transceiver. The BLACK lead should run directly to the negative terminal of the battery. Using the car frame as a negative connection or connecting the positive lead at a point such as the ignition switch places the devices creating noise in the same current path as the transceiver and fails to take advantage of the filtering action of the battery. The power cable should be kept away from ignition wires and be as short as possible to minimize voltage drop and to provide a low impedance path from the transceiver to the battery.

Prior to operating the transceiver in a mobile installation, the voltage regulator setting should be checked. In many vehicles, the voltage regulations is very poor and in some cases, the regulator may be adjusted for an excessively high charging voltage. As the battery and regulator age, the maximum voltage while charging can increase to a very high level which is injurious to the battery and could cause damage to the transceiver.

The transceiver is designed to operate from a source voltage range of 11 to 14 volts. It is necessary to carefully set the regulator so that the highest charging voltage does not exceed 14 volts. The transceiver should be switched "OFF" when vehicle is started to prevent voltage transients from damaging power supply transistors.

Antenna ;

CAUTION

Never transmit without having proper antenna or dummy load connected to the transceiver

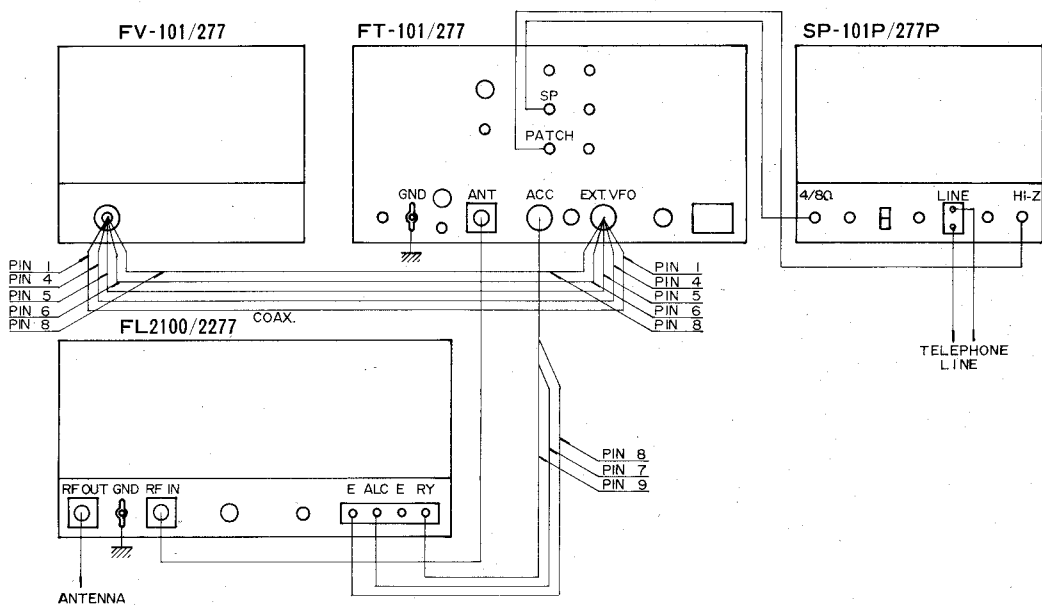
The transceiver is designed for use with resonant antenna having an impedance 50 - 75 ohm resistive load.

The antenna is usually the most critical part of a station installation. Results both in receiving and transmitting will depend on how well the antenna is installed and adjusted. Any of the common antenna systems designed for use on the high frequency amateur bands may be used with the transceiver, provided the input impedance of the antenna system is within the capability of the transceiver pi-matching network (50-75 ohms).

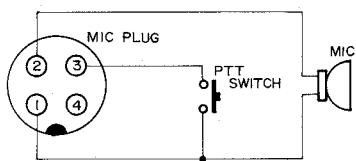
If a tuned open wire transmission line, or a long wire antenna is used, a suitable antenna tuner must be used between the antenna and the transceiver to provide an impedance match between the unbalanced coaxial output of the transceiver and the balanced open-wire feeder or long wire.

For mobile operation, most of the commercially available antennas on the market will give good results with coaxial cable is securely grounded to the chassis of the vehicle at the antenna mount. Adjust the antenna length carefully for minimum SWR after installation.

INTERCONNECTIONS



INTERCONNECTION DIAGRAM

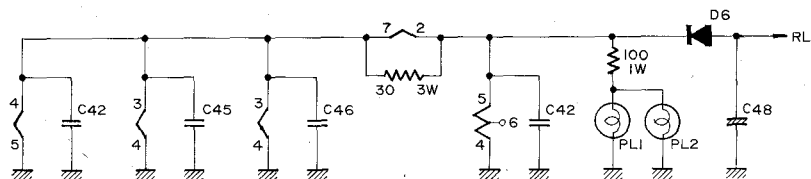
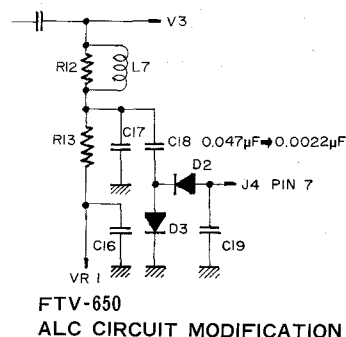
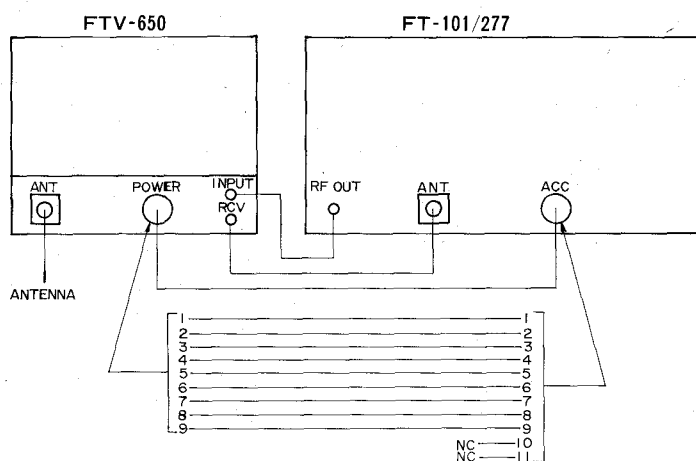


MICROPHONE CONNECTION

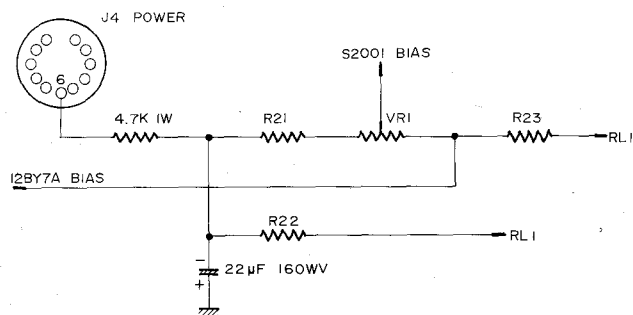
FTV-650 (6 METER TRANSVERTER)

The FTV-650 transverter is supplied with a 6.3 Volts heater and bias supply for use with other equipment. When the FTV-650 is used in conjunction with FT-101

/277 transceiver, the modifications shown must be accomplished prior to interconnection of the units.



FTV-650 FILAMENT CIRCUIT MODIFICATION

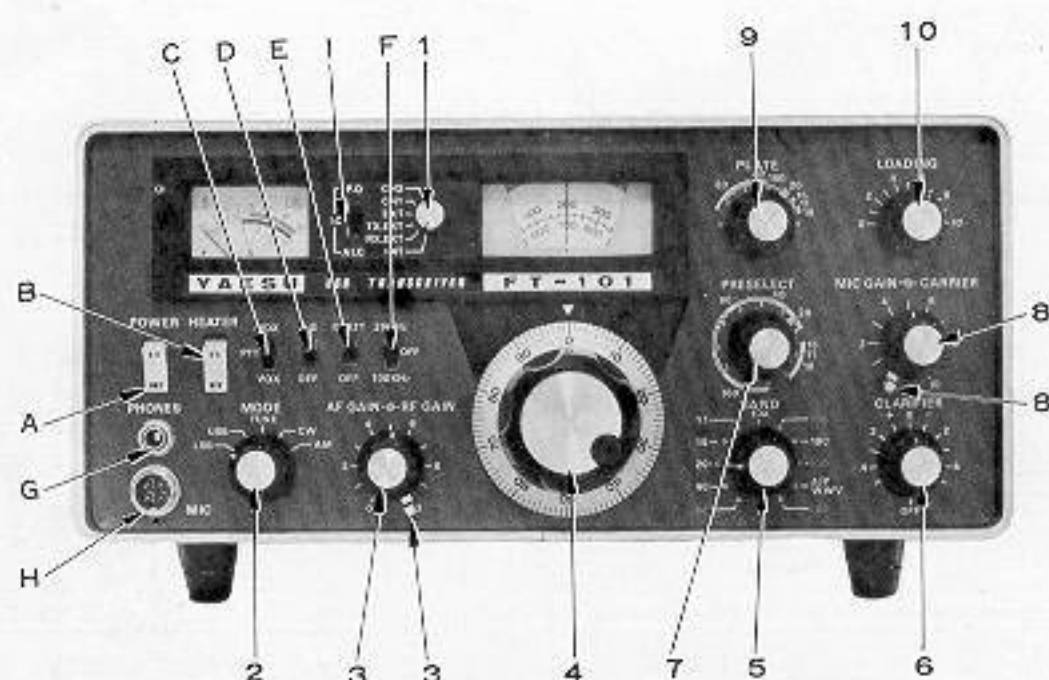


FTV-650 BIAS CIRCUIT MODIFICATION

CONTROLS AND SWITCHES

The transceiver has been specifically designed for ease of operation and versatility. All controls have been preset at the factory. Several of the controls are unusual in operation, and improper adjustment may result in signals of poor quality. The various front

panel controls and their functions are described in the following section. Be certain that you understand thoroughly the function of each control before operating the transceiver.



(1) VFO Select Switch :

This switch provides selection of the companion FV101 external VFO or two fixed crystal oscillator positions. Normal operation of the transceiver VFO requires that the switch be placed in the "INT" position.

INT-- FT-101/277 VFO controls both transmitter and receiver frequencies.

RX EXT-- FV-101/277 EXTERNAL VFO controls the receiver frequency and the FT-101/277 VFO controls transmitter output frequency.

TX EXT-- FV-101/277 EXTERNAL VFO controls the transmitter output frequency and the FT-101/277 VFO controls the receiver frequency.

EXT-- FV-101/277 EXTERNAL VFO controls both transmitter and receiver frequencies.

CH1, CH2--Provides crystal control of the transceiver. Proper crystals must be installed on PB-1182 crystal oscillator board, for crystal controlled operation.

(2) Mode Switch ; (LSB-USB-TUNE-CW-AM)

The mode switch is a five-position switch. This switch is used to select the mode of operation ; LSB, USB, AM, CW, or TUNE position. In the AM, CW and TUNE positions, a separate crystal is used to shift the carrier frequency into the filter passband.

(3) RF GAIN/AF GAIN :

The RF GAIN/and AF GAIN controls are mounted on concentric shafts. RF GAIN control (lever control) varies the gain of the receiver RF and IF amplifier. Maximum sensitivity is obtained with the control set at 10 (fully clockwise).

The AF GAIN control (round knob) adjusts the audio output level at the speaker and phone jack. Clockwise rotation increases the audio output.

(4) Tuning Knob

The tuning knob located directly below the main dial window in combination with the band switch determines the actual frequency of operation.

The VFO drive mechanism consists of a precision spring loaded split gear system in combination with a planetary drive unit to provide zero backlash at low tuning rates. Each revolution of the tuning knob results in a frequency change of 16 KHz as indicated on the skirt surrounding the tuning knob.

(5) BAND Switch :

The band switch is an eleven-position switch used to select the desired band for receiving or transmitting. The band indication is color coded to guide the operator selecting in the proper frequency scale for each band.

(6) CLARIFIER ;

The clarifier control provides a means for tuning the receiver frequency 3 KHz to either side of the transmitting frequency. Thus, it is possible to set the pitch of the voice you are receiving to the most readable point without affecting your transmitting frequency. Its use is particularly valuable in "net" operation where several participants may be transmitting slightly off frequency. The clarifier control may be switched off and the receiver locked to the transmitting frequency by setting the clarifier control to the OFF position. Normally, you will want to keep the clarifier in the OFF position until the initial contact is made. The clarifier control may then be used to zero-in and correct the any drift on the received signal.

(7) PRESELECT ;

This control pretunes the signal circuits for both transmit and receive. The preselect circuit provides continuous permeability tuning throughout the frequency range of the transceiver.

(8) MIC GAIN/CARRIER ;

The MIC GAIN/CARRIER controls are mounted on concentric shafts. The carrier control (lever control) varies the amount of the carrier in the CW, AM and TUNE modes of operation.

The MIC GAIN control (round knob) varies the audio level from the microphone amplifier stage. The control has sufficient range to permit the use of any high impedance crystal or dynamic microphone. Both controls have maximum gain with the control set at 10 (fully clockwise).

(9) PLATE ;

Tunes plate circuit of the final amplifier.

(10) LOADING ;

Tunes the output circuit of the pi network to match antenna and feed line impedance.

(A) POWER

Main switch turns transceiver "on" for both AC and DC operation.

(B) HEATER

With this switch in the down position, the transmitter tube heaters are turned off. This reduces battery drain to 0.5 amp and thus permits long periods of listening without excessive battery drain. Pushing the rocker switch to the upper position provides supply voltage to the tube heaters. After a 30 second warm-up, the transmitter is ready for operation. This switch operates

in both DC and AC modes.

(C) MOX-PTT-VOX

This slide switch selects desired transmitter mode for both microphone and key operation.

MOX-(Manual transmit switch position)

Locks transmitter "ON" and must be returned to PTT position for receiver recovery.

PTT-(Push-to-talk)

Locks transmitter "ON" when microphone switch is depressed. Receiver recovers automatically when microphone switch is released.

VOX-(Voice operated transmit or break-in CW operation)

This switch position allows the operator to actuate the transmitter by simply speaking into the microphone. Receiver recovers automatically when the operator stop speaking.

For break-in CW, the VOX system will actuate the transmitter each time the key is depressed, receiver recovers each time key is released.

(D) NB (NOISE BLANKER)

In upper position, the noise blanker is placed in the circuit and eliminates noise pulses caused by auto ignition.

(E) RF ATT (RF Attenuator)

This switch provides insertion of a 20 db attenuator in the incoming signal path to minimize cross modulation which may be caused by extremely strong local signals.

(F) 25 KHz/100 KHz (CALIBRATOR)

The 100 KHz crystal oscillator is used to calibrate the receiver. In the 25 KHz position, the 25 KHz multivibrator generates a marker signal at each 25 KHz point on the dial. Clarifier control must be in the "OFF" position when setting calibration.

(G) PHONE

Headphone may be inserted in this jack for private listening. The internal speaker is disconnected when the headphone plug is inserted. Any high quality headphone may be used.

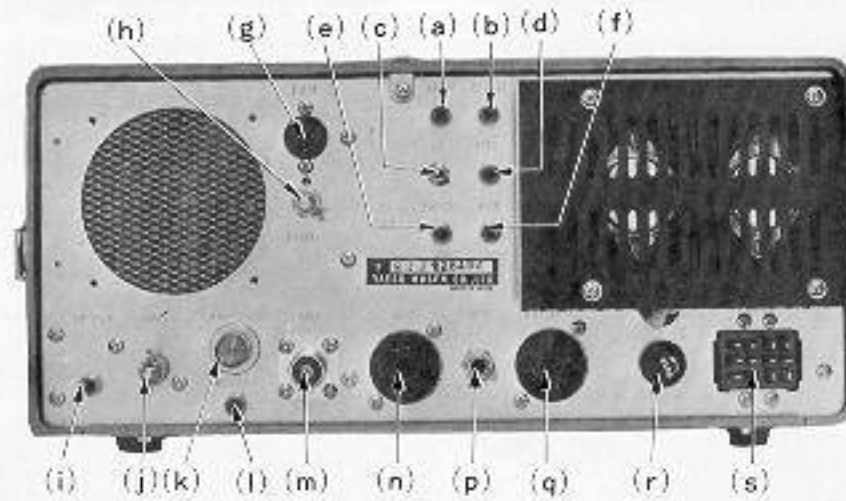
(H) MIC

Microphone Jack. Four pin connector is used for microphone input, and push to talk relay actuation.

(I) METER

Selects the meter mode to read PA cathode current (I.C.), relative power output (PO), or ALC feedback voltage.

REAR APRON CONNECTIONS AND CONTROL



(a) AF-IN ;

Audio input jack for auxiliary station equipment. An FM detector unit, or a high level microphone, may be applied at this point for audio output from the transceiver speaker.

(b) IF OUT ;

3180 KHz IF signal is available from this jack for use with other station equipment such as panoramic adapter, etc.

(c) SP ;

Audio output is provided at this jack for an external speaker. Output impedance is 4 ohms and the internal speaker will be disabled when plug is inserted.

(d) PTT ;

This jack may be used for external actuation of the transmitter. As an example, a foot switch may be inserted into this jack to provide remote control of the transmitter PTT relay.

(e) PATCH ;

Speech input terminal for phone patch connection. Impedance is 50 K ohms.

(f) AUX ;

This jack is connected to the receiver output (4 ohms) to be used for phone patch or other use.

(g) FAN ;

Power outlet for optional cooling fan.

(h) P.O. ADJUSTMENT ;

Meter sensitivity adjustment for relative power output indication.

(i) RF OUT

Signal frequency output from the driver stage may be obtained at this jack for use of optional equipment, such as the FTV-650 6 meter transverter.

(j) GND ;

Ground connection.

(k) LAMP FUSE ;

This lamp fuse protects the RF amplifier transistor from damage which may be caused by extremely strong local signal.

(l) RCV ANT ;

Other receiver can be used through this Jack.

(m) ANT ;

Coaxial connection for antenna.

(n) ACC ;

Accessory socket. Provides access to transceiver operating voltages and relay contacts at this outlet.

(p) KEY ;

Key jack for code operation.

(q) EXT VFO ;

Connections for external VFO.

(r) FUSE ;

Fuse holder requires 5 amp fuse for 117 volt or 3 amp fuse for 220 volt operation. D.C. power cord fuse 20 amp.

(s) POWER ;

Power receptacle. Both AC and DC cables are supplied.

OPERATION

The tuning procedure of the transceiver is not complicated, however, care should be exercised when tuning to insure peak performance of the equipment. The following paragraphs describe the procedure for receiver and transmitter tuning.

INITIAL CHECK

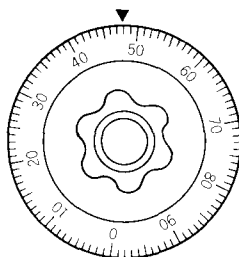
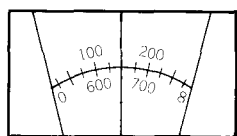
Before connecting the transceiver to a power source, carefully examine the unit for any visible damage. Check that all modules and crystals are firmly in place and that controls and switches are operating normally. Ensure that voltage specification marked on rear panel matches the supply voltage.

FREQUENCY SELECTION

The main tuning dial is color coded with the band selector switch for proper frequency read out. When band selected is marked in Red, the operator reads the Red numbers on the main tuning dial. When for example the band selected is marked in White on transceiver front panel, the operator reads the Black numbers on main tuning dial.

The main tuning dial is marked in 25 KHz increments between each 100 KHz segment. This provides a course frequency setting within the band. The dial skirt surrounding the tuning knob is marked in 1 KHz increments and provides for fine settings of the transceiver operating frequency.

Following the example shown, familiarize yourself with the relationship of main and skirt dial frequency read-out.



For bands 40-20-15-10A-10C read Black scale on main dial. Setting shown in the example would then be 148 KHz plus the starting band edge frequency in MHz. For example, on 40 meters the frequency would be 7.148 MHz. On 20 meters, 14.148 MHz, etc.

For bands 160-80-10B-10D read Red scale on main dial. Settings shown in the example would then read 648 KHz. For example, on 80 meters the frequency would be 3.648 MHz, on 10B, 28.648 MHz, etc.

RECEIVER CALIBRATION ;

Preset the controls and switches as indicated ;

VFO Selector INT (internal)

MOX-PTT-VOX PTT

POWER ON (upper position)

RF GAIN Maximum

AF GAIN As required

BAND Desired band

MODE Desired mode

TUNING 100 KHz point

PRESELECTOR Desired band segment

CLARIFIER OFF

RF ATT OFF

CALIBRATOR 100 KHz

To calibrate, set the TUNING control to the 100 KHz point on the dial nearest the desired frequency. Tune the preselector for maximum "S" meter deflection. Tune the transceiver to the 100 KHz calibrator signal for zero beat. Two signals may be heard near the 100 KHz point. One of these is a signal feeding through the IF stages. Always calibrate to the stronger of these two signals. To calibrate, hold tuning knob firmly at zero beat point and rotate skirt vernier dial to zero position. The skirt vernier dial surrounds the tuning knob and is held in position by a friction locking device. This dial is easily movable by hand but will retain its position after calibration. The transceiver must be calibrated when changing mode of operation of LSB, USB, AM or CW.

Switch the calibrator to the 25 KHz position and note that the calibrator signal can be heard at every 25 KHz point. The calibrator switch should be in the OFF position in normal use of the transceiver.

TRANSMITTER TUNE-UP

The following tune-up procedure must be performed prior to selection of desired operating mode, LSB, USB, CW, or AM. See paragraphs relating to the specific mode after basic transmitter tune-up.

Connect dummy load or matched antenna to the coaxial fitting on rear apron, and preset controls as follows :

POWER OFF
 HEATER ON
 MODE TUNE
 CARRIER 0 (fully counter-clockwise)
 BAND Desired band
 TUNING Desired frequency
 PRESELECTOR Desired band segment
 PLATE Desired band segment
 LOADING To position shown in table
 METER IC
 VFO SELECT INT
 MOX-PTT-VOX PTT

LOADING POSITIONS

BAND	LOADING
160.....	5
80.....	5
40.....	5 1/2
20.....	3 1/2
15.....	3
10A.....	4
10B.....	4
10C.....	4
10D.....	4

NOTE : Loading positions are nominal. Slight variations from positions shown are to be expected.

With the transceiver turned on, allow 60 seconds for warm-up of the transmitter tubes. Be certain that accessory plug is in the accessory socket. The heater voltage to the final tubes is supplied through pins 1 and 2 of the accessory plug.

Set the "MOX-PTT-VOX" switch to MOX position. Meter will now read Final Amplifier resting cathode current. This should be set at 50 mA with the BIAS control located under the top cover near the rear of the set. Switch the meter to ALC position and adjust ALC control under the top cover for full scale deflection of the meter. Return meter switch to IC position and "MOX-PTT-VOX" switch to PTT position.

PRE-TUNING

1. Adjust "PRESELECT" for maximum receiver noise level.
2. Place "MOX-PTT-VOX" switch "MOX" position.
3. Rotate "CARRIER" control arm until meter rises just above normal idling current. (50 mA)
4. Adjust "PRESELECT" for maximum meter reading. (Caution: if meter exceeds .1 (100 mA), reduce "CARRIER")
5. Rotate "PLATE" control for minimum meter reading. (Plate Dip)
6. Return "MOX-PTT-VOX" switch to PTT position.

The transmitter is now pretuned to the desired frequency. Final peak tuning is accomplished by carefully following the final tuning procedure.

FINAL TUNING

Final peak tuning utilizes the meter relative power output position (P.O.). At full transmit power the meter will read approximately one-half to two-thirds full scale into a matched antenna load. If during final tune-up it is noted that the meter indication exceeds full scale, discontinue tune-up. Off scale meter indications are the result of reflected RF due to high VSWR and corrective action should be taken before attempting final tune-up.

CAUTION

Exceeding the time limits noted during final tuning may result in destruction of final output tubes.

1. Set meter switch to P.O. position, rotate "CARRIER" control arm fully clockwise to position 10.
2. Momentarily set "MOX-PTT-VOX" switch to "MOX" (10 second maximum), and rotate "PRESELECT" control for maximum meter reading. Return "MOX" to PTT position.
3. Momentarily set "MOX-PTT-VOX" switch to "MOX" (10 second maximum) and increase or decrease "LOADING" control for maximum meter reading. Return "MOX" to PTT position.
4. Momentarily set "MOX-PTT-VOX" switch to "MOX" (10 second maximum) and increase or decrease "PLATE" control for maximum meter reading. Return "MOX" to PTT position.
5. Repeat steps 3 and 4 until maximum meter reading is obtained.

The transmitter is now tuned for maximum output. Return "CARRIER" control arm fully counter-clockwise to zero position. Return meter switch to IC position and MODE switch to desired operating mode.

NOTE: Moving the "MOX-PTT-VOX" switch to the "MOX" position in the above steps may be eliminated by simply operating the microphone PTT switch when microphone is attached to the transceiver.

SSB OPERATION

After completion of tuning, set MODE switch to LSB or USB. Set the METER switch to ALC position. Set the "MOX-PTT-VOX" switch to the PTT position and advance the MIC GAIN control until the meter kicks down to midscale of green colored portion when speaking normally into the microphone.

Set the "MOX-PTT-VOX" switch to VOX position. For VOX operation, adjust VOX GAIN potentiometer under the top cover until voice actuates the transceiver. Set the ANTITRIP potentiometer to the minimum point to prevent the speaker output from tripping the VOX. Do not use more VOX gain or ANTITRIP gain than necessary. Adjust the DELAY potentiometer under the top cover for suitable release time.

NOTE: When meter is set to IC, voice modulation peaks will indicate 150-200 mA. Actual peak current, however, is approximately 2 times the indicated value.

CAUTION

CARE must be taken to avoid an excessive drive to prevent spurious radiation. Maximum key down current should be kept within 330 mA for the bands under 15 meter and 280 mA for 10 meter band.

CW OPERATION

Upon completion final tuning, insert key plug in jack marked "KEY" on rear apron of the transceiver. Power output from the transmitter is determined by the "CARRIER" control arm position. The operator may select any power output desired by simply rotating the "CARRIER" control within the limits of its range from zero to ten.

The transceiver may be operated manually or break-in by setting the "MOX-PTT-VOX" switch to either MOX (manual) or VOX (break-in) for the desired mode of operation.

NOTE: Insertion of the key plug automatically disconnects the bias supply to the PA tubes, therefore, with the key plug inserted Final Amplifier bias current will not be indicated when meter is in the IC position.

AM OPERATION

AM operation of the transceiver is accomplished by setting the MODE switch to the AM position and inserting the proper amount of "CARRIER" with the "CARRIER" control.

After completion basic transmitter tune-up, place the MODE switch in the AM position and rotate "CARRIER" control arm until meter reads .15(150 mA) in the IC position. While speaking into the microphone normally, increase MIC GAIN until the meter indicates very slight movement with voice peaks.

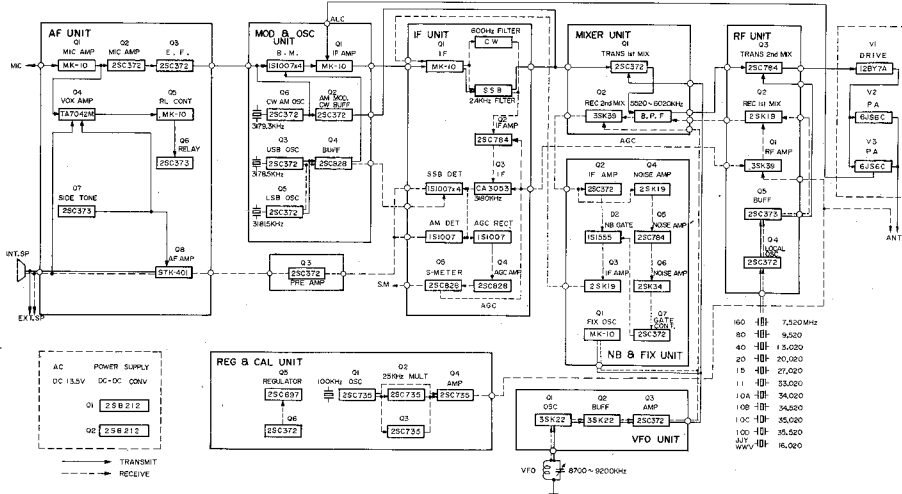
Care must be taken in adjusting MIC GAIN control to assure that the "CARRIER" control arm is not rotated causing an increase in "CARRIER" level. Do not exceed .15(150 mA) meter indication during AM operation or destruction of the Final Amplifier tubes may result.

CAUTION

On the 160 meter band, maximum plate current should be kept within 140mA to avoid spurious radiation when it is operated on the frequencies between 1820 KHz and 1900 KHz.

CIRCUIT DESCRIPTION

The block diagram and the circuit description that follows will provide you with a better understanding of this transceiver.



TUBE & SEMICONDUCTOR COMPLEMENT

HF Unit PB-1181(A-Z)					
Q1	RF amplifier	3SK39Q	Q5	Relay control	MK-10D
Q2	Receiver 1st Mixer	2SK19GR	Q6	Relay control	2SC373
Q3	Transmitter 2nd Mixer	2SC784R	Q7	CW side tone osc.	2SC373
Q4	Local oscillator	2SC372Y	Q8	AF amplifier	STK401
Q5	Buffer	2SC373			
HIGH FREQUENCY IF Unit PB-1180 (A-Z)			VFO Unit PB-1056 (A-Z)		
Q1	Transmitter 1st Mixer	2SC372Y	Q1	VFO oscillator	3SK22G
Q2	Receiver 2nd Mixer	3SK39Q	Q2	Buffer	3SK22G
			Q3	Amplifier	2SC372Y
LOW FREQUENCY IF Unit PB-1183 (A-Z)			NB and FIX Unit PB-1182 (A-Z)		
Q1	IF amplifier	MK-10F	Q1	Crystal oscillator	MK-10E
Q2	IF amplifier	2SC784R	Q2	IF amplifier	2SC372Y
Q3	IF amplifier	CA3053	Q3	IF amplifier	2SK19GR
Q4	AGC amplifier	2SC828Q	Q4	Noise amplifier	2SK19GR
Q5	S meter	2SC828Q	Q5	Noise amplifier	2SC784R
			Q6	Noise amplifier	2SK34E
			Q7	NB gate control	2SC372Y
MODULATOR Unit PB-1184 (A-Z)			REGULATOR Unit PB-1185 (A-Z)		
Q1	IF amplifier	MK-10D	Q1	100 KHz oscillator	2SC735Y
Q2	AM modulator	2SC372Y	Q2	25 KHz Multivibrator	2SC735Y
Q3	USB oscillator	2SC372Y	Q3	25 KHz Multivibrator	2SC735Y
Q4	LSB oscillator	2SC828P	Q4	Marker amplifier	2SC735Y
Q5	CW-AM oscillator	2SC372Y	Q5	Regulator	2SC697
Q6	Buffer	2SC372Y	Q6	Regulator control	2SC372Y
AUDIO Unit PB-1189 (A-Z)			MAIN CHASSIS		
Q1	MIC amplifier	MK-10F	V1	Driver tube	12BY7A
Q2	MIC amplifier	2SC372Y	V2, V3	Final amplifier	6JS6C × 2
Q3	Emitter follower	2SC372Y	Q1, Q2	DC-DC convertor	2SB212 × 2
Q4	VOX amplifier	TA7042M	Q3	AF pre-amplifier	2SC372Y

The transceiver has adopted computer type plug-in modules. These modules are: High frequency unit, High frequency IF unit, LOW frequency IF unit, Audio unit, Modulator unit, and Power regulator unit. In addition, the VFO unit, Noise blanker and crystal oscillator unit and rectifier unit are built-in to the main chassis.

(1) HF UNIT (PB-1181)

This module contains the receiver RF amplifier, receiver 1st mixer, transmitter 2nd mixer and heterodyne oscillator circuit. The signal from the antenna coil is fed to the gate of Q1 (field effect transistor 3SK39Q) through terminal 8 of the module.

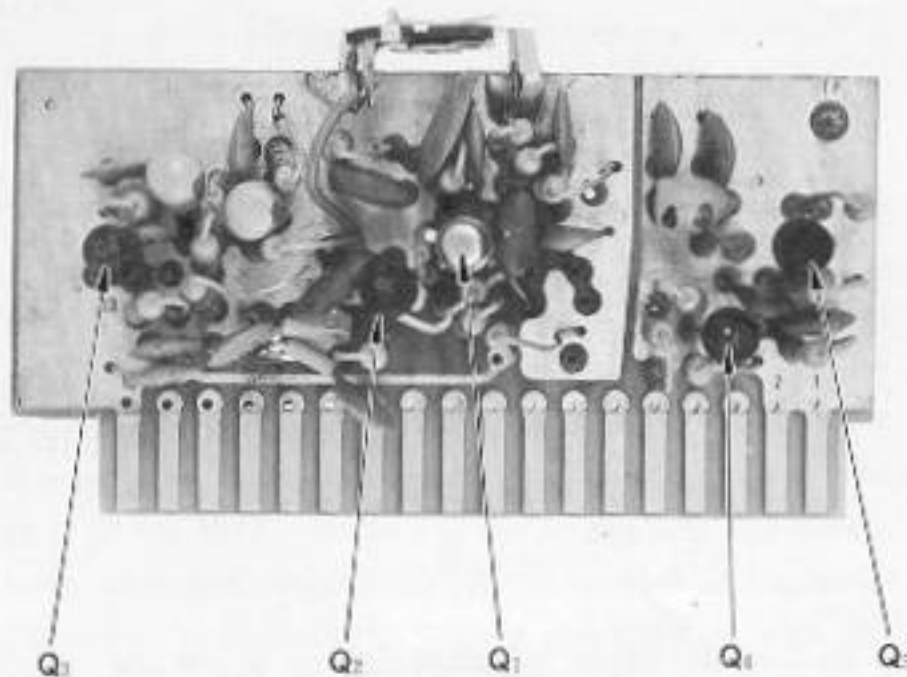
The AGC (automatic gain control) voltage which is obtained from the low frequency IF unit, is applied to the gate circuit of Q1 from pin 9 to control the gain of this stage. A manual RF gain control on the front panel is connected to the source of Q1 through pin 10.

Signal output from the Q1 is then coupled to the receiver first mixer Q2, 2SK19GR where the incoming signal is mixed with a signal from the heterodyne oscillator Q4, 2SC372Y through the buffer stage Q5, 2SC373. The product of the first mixer is applied from the pin 17 to the high frequency IF unit.

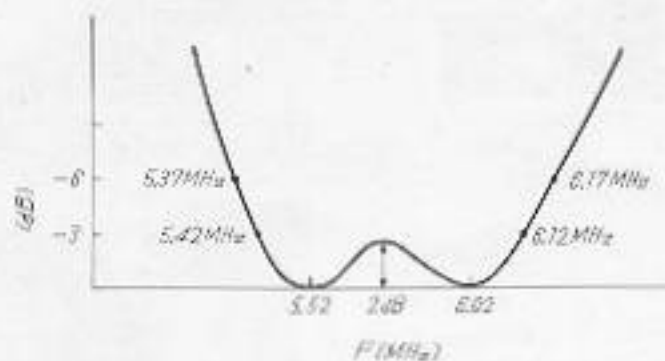
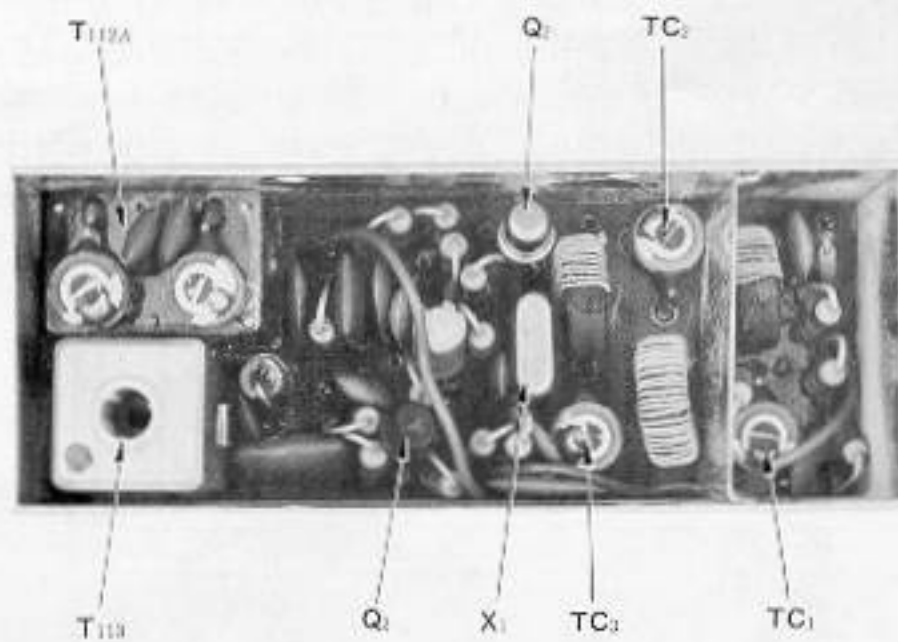
Transmitter signal is fed to the base of transmitter 2nd mixer Q3, 2SC784R from pin 13. The signal from the heterodyne oscillator is applied to the emitter of the mixer Q3, through the buffer stage Q4, 2SC372Y. This arrangement converts the high frequency IF signal to the desired transmitting frequency. This transmitting signal is fed to T102 through pin 11. The gate circuit of the receiver mixer Q2 is disconnected in transmit by diode switch to avoid the lowering the Q of the circuit. Crystal sockets and all coils are mounted on the main chassis.

(2) HIGH FREQUENCY IF UNIT (PB-1180)

The module contains the transmitter first mixer Q1, 2SC372Y, the receiver second mixer Q2, 3SK39Q, and 5520 to 6020 KHz bandpass network. The signal from the receiver first mixer is fed to the gate of the

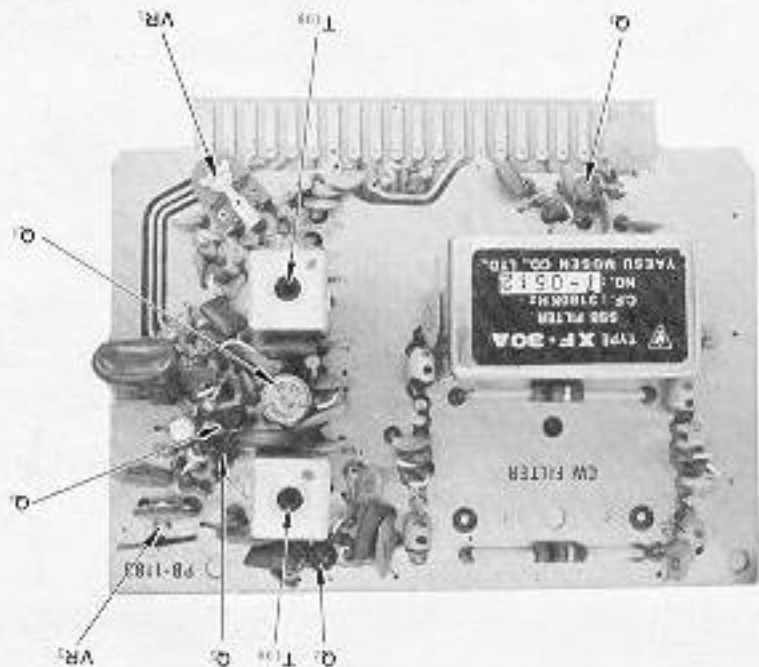
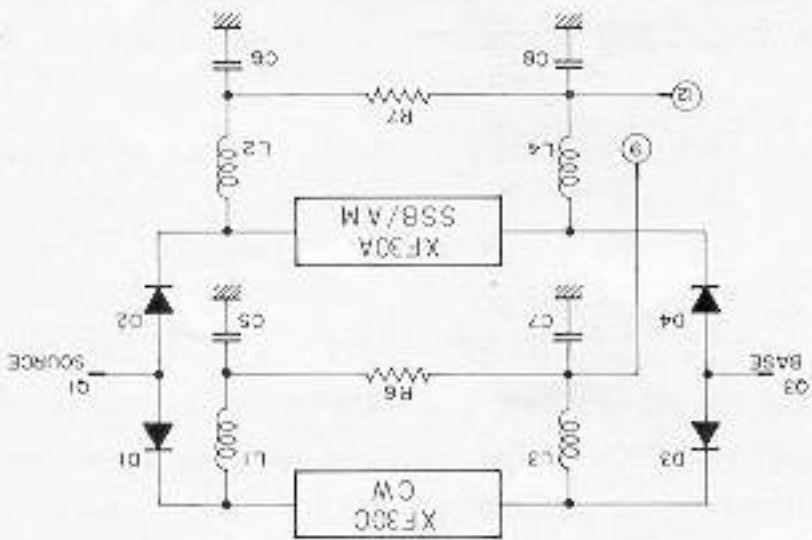


mixer through the bandpass network L1, L2, and L3, from pin 15. VFO voltage is also applied to the 2nd gate of Q2 from pin 11. The signal is converted to 3180 KHz low frequency IF and fed to the following stage from pin 3 through an output transformer T112A. On transmit, the 3180 KHz signal is fed to the base of the mixer, from pin 5. A 14 MHz trap coil T113 is connected in the base circuit of Q1. The VFO signal is fed to the emitter of the Q1 which produces the 5520 to 6020 KHz high frequency IF signal. This signal is fed to the following stage from pin 16 through the bandpass network.



BANDPASS NETWORK CHARACTERISTICS

CW FILTER INSTALLATION DIAGRAM

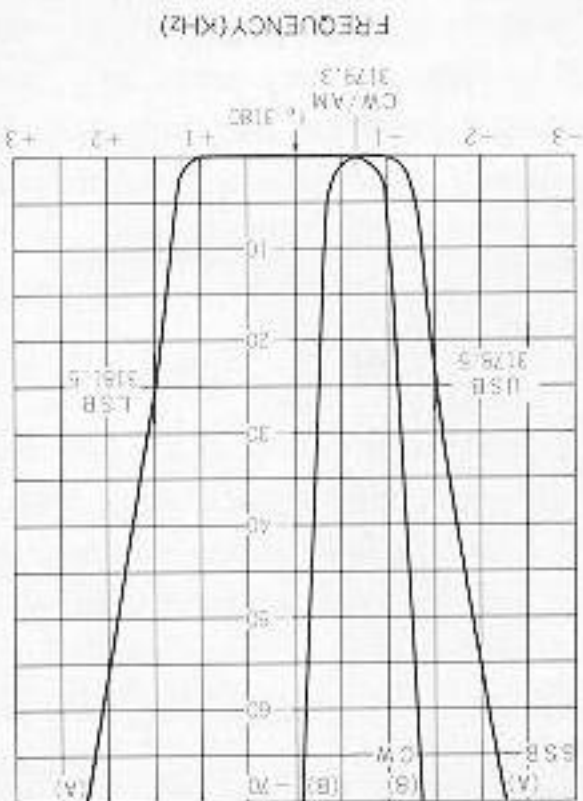


On transmit, the signal is applied to the gate of Q1 from pin 15. It is then amplified and passed through the crystal filter. The output from the crystal filter is applied to the high frequency IF unit from pin 10.

AGC amplifier Q4. The emitter of Q4 controls S-meter D5, 1S1007, D6, GP2-354. AGC rectifiers drive the amplifier Q5, 2SC828Q.

AM signal is detected by D7, 1S1007 and fed to the audio amplifier stage from pin 4 through the MODE switch. The detected audio signals are connected to audio amplifier unit from pin 4 (AM) and pin 6 (SSB & CW) through the MODE switch on the front panel and the pre-amplifier.

CHARACTERISTICS OF SSB/CW FILTERS



The output from Q3 is fed through T109 to the ring demodulator D8-D11 for CW and SSB reception. The carrier signal is fed to the detector from pin 5. The carrier signal is balanced by VR1 to obtain minimum distortion and also to avoid S-meter reading which may be influenced by the carrier oscillator signal. The control on the front panel.

The gain is also controlled manually by the RF gain voltage derived from AGC amplifier Q4, 2SC828Q. Two stages are controlled automatically by the AGC and Q3, CA3053 integrated circuit. The gain of these two stages is controlled automatically by the AGC to the base of Q2, 2SC784R and is amplified by Q2 pin 9 and 12. The signal from the crystal filter is fed to CW position. This control voltage is derived from CW filter automatically when the MODE switch is set cost from your dealer. The diode switch selects the filter XF-30C is an optional feature available at additional filter for SSB or CW reception. The 600 Hz CW filter for SSB or CW reception. The 600 Hz CW filter for SSB or CW reception. The 600 Hz CW filter for SSB or CW reception. The 600 Hz CW filter for SSB or CW reception.

On receive, a 3180 KHz signal from the noise blanker circuit is fed to the gate of Q1 MK-10F, FET from pin 15 of the module.

This module contains the low frequency IF amplifier, crystal filter, detector and AGC/S meter circuits.

(3) LOW FREQUENCY IF UNIT (PB-1183)

(4) AUDIO UNIT (PB-1189)

This module contains the microphone amplifier, receiver audio amplifier, VOX amplifier and CW sidetone oscillator. A speech signal from the microphone is fed to the first MIC amplifier Q1, MK10 F FET from pin 5. Input impedance of the MIC amplifier is 50 K ohms. The signal, controlled in amplitude by the MIC GAIN control between pin 3 and pin 4, is amplified by the second microphone amplifier Q2, 2SC372Y and applied to the emitter follower Q3, 2SC372Y to be delivered to the modulator unit from pin 8.

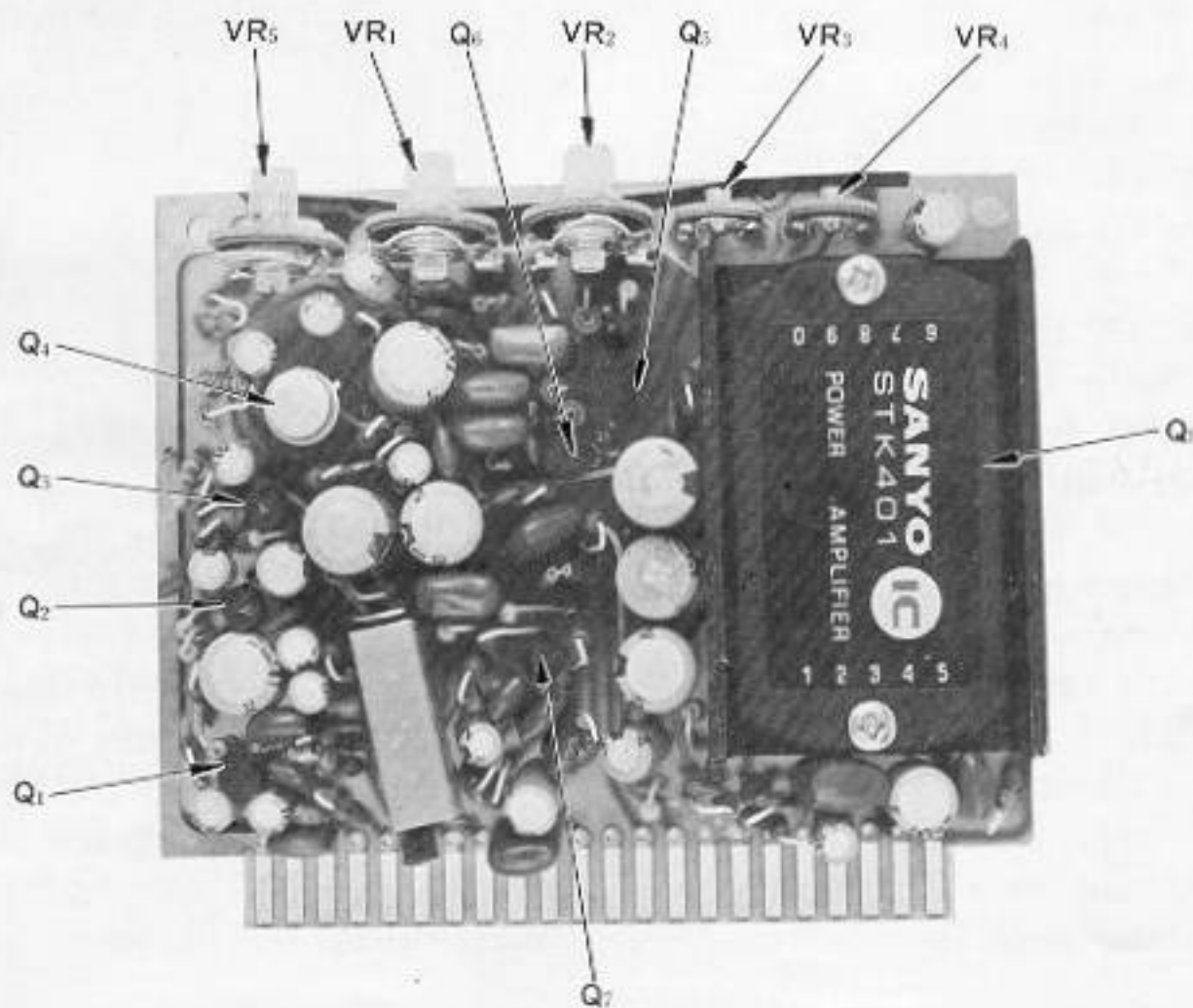
The receiver audio signal from the AUDIO GAIN control is applied to the audio amplifier Q8, STK401 integrated circuit from pin 19. This stage, in turn, increases the signal to speaker level. The audio power amplifier circuit utilizes the OTL (output transformer less) circuit and delivers 3 watts output to the speaker through pin 22.

The signal from the first microphone amplifier is coupled through the VOX GAIN control potentiometer VR1 to VOX amplifier Q4, TA7042M. The signal amplified by Q4 is fed to the VOX rectifier. The positive DC output voltage of the rectifier is applied to the gate of the VOX relay control transistors Q5, MK-10 D and Q6, 2SC373 causing them to conduct and actuate the VOX relay RL1 on the main chassis. The collector circuit of Q6 is connected to RL1 through pin 13.

The ANTITRIP circuit provides a threshold voltage to prevent the speaker output from tripping the transceiver into the transmit function. The receiver audio output voltage is connected through ANTITRIP control VR5 to the antitrip amplifier Q4, and fed to rectifiers D1 and D2, GP2-354. Negative DC output voltage from the rectifier, connected to the gate of Q5, reduces the gain of the VOX control transistor providing the necessary antitrip threshold. ANTITRIP control VR5 adjusts the value of the antitrip voltage threshold so that the loud speaker output will not produce excessive positive DC output from the VOX rectifier to exceed the negative DC output from the antitrip rectifier and cause the control transistor to actuate the relay. When speaking into the microphone normally the positive voltage will exceed the negative antitrip voltage and actuate the relay. VR3 provides course adjustment for relay sensitivity.

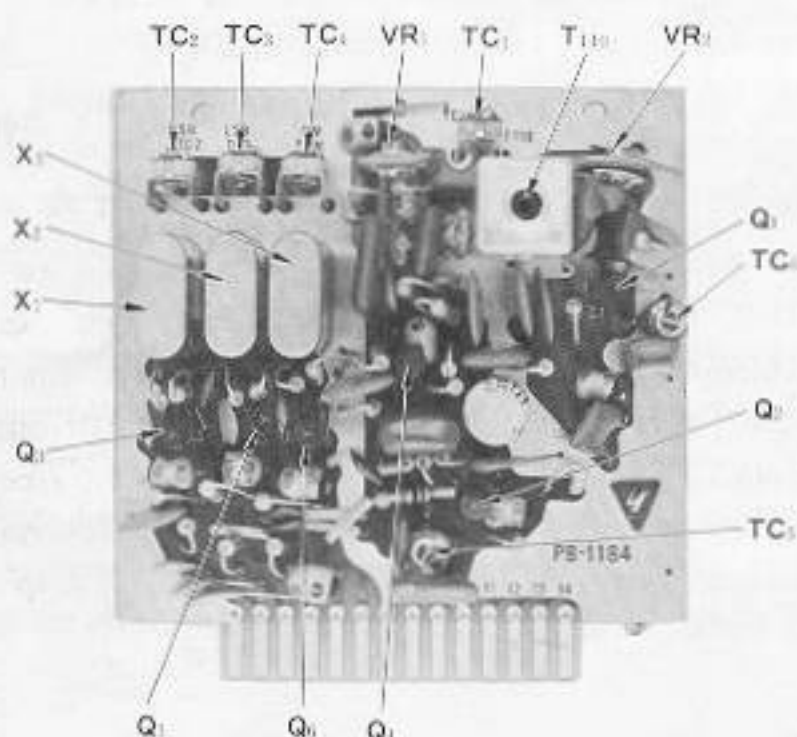
Relay hold time will be determined by DELAY control VR2.

The tone oscillator Q7, 2SC373 operates when the MODE switch is in CW position. It is a phaseshift oscillator operating at approximately 800 Hz. The tone output is activated by the keying circuit and coupled through SIDETONE LEVEL control VR4 to the receiver audio amplifier for sidetone monitoring in CW operation. The output from Q7 is also coupled to the VOX amplifier Q4 for break-in CW operation.



(5) MODULATOR UNIT (PB-1184)

The MODULATOR UNIT contains the carrier oscillators, the ring modulator circuit for SSB, and AM modulator. The carrier oscillator oscillates either 3178.5 KHz for USB or 3181.5 KHz for LSB, depending upon whether Q3, 2SC372Y or Q5, 2SC372Y is selected by the MODE switch. The MODE switch disconnects the emitter circuit of either transistor when not in use. The output from the oscillator is fed to the buffer amplifier Q4, 2SC828P, and then to the balanced ring modulator D1-D4. The carrier signal is also fed to the ring demodulator from pin 6 for receive. These crystal frequencies are matched to the bandpass of the crystal filter to place the carrier frequency approximately 25 db down on the skirt of the filter response.



For AM and CW operation, the 3179.3 KHz crystal controlled oscillator Q6, 2SC372Y operates to produce the carrier signal, and Q3 and Q5 are disconnected.

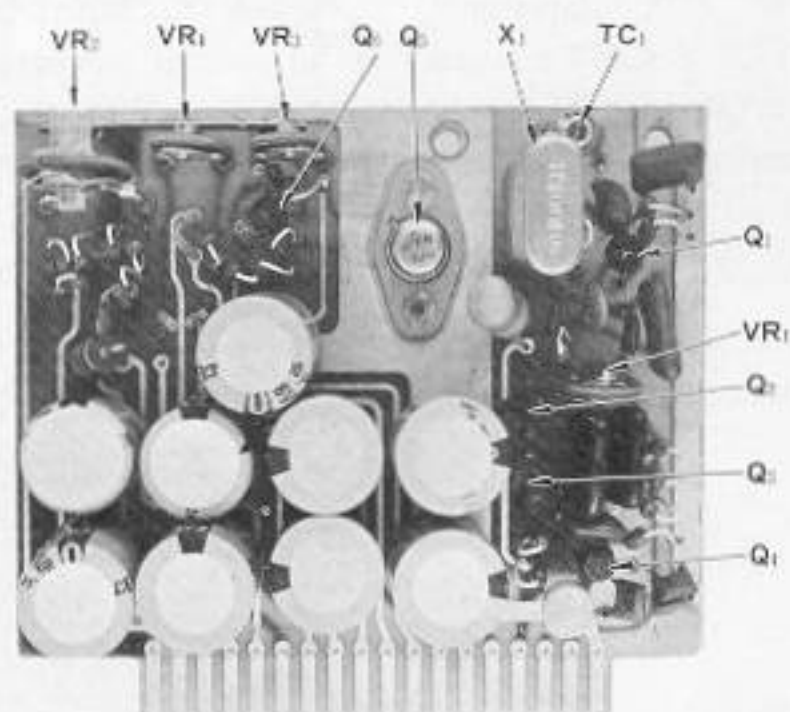
Q2, 2SC372Y operates as a modulator for AM operation and as a buffer stage for CW operation. The speech signal is fed to the balanced ring modulator and AM modulator Q2 from pin 9.

Carrier balance is obtained by a potentiometer VR1 and a trimmer capacitor, TC1. Double-sideband, suppressed-carrier output from the balanced modulator is amplified through T110 by the IF amplifier Q1, MK-10 D, and fed to the low frequency IF unit from pin 12. For AM and CW, the output signal from Q2 is fed to the high frequency IF unit, through CARRIER potentiometer VR2 on the front panel.

(6) POWER REGULATOR UNIT (PB-1185)

The DC 13.6 volts from the rectifier unit is supplied through pin 14 to the voltage regulator circuit Q5, 2SC697 and Q6, 2SC372Y in this unit to obtain extremely stable 6 volt DC supply which is then fed to the various circuits from pin 13. The regulated voltage is supplied to the CLARIFIER control to offset the receive frequency ± 3 KHz either side of the transmitted signal. VR4 permits adjustment of controls to the receive and transmit frequency to coincide at the CLARIFIER zero or OFF position. A -100 volt negative voltage is delivered from pin 5 to the unit. VR2 sets the operating bias at approximately -50 volts for the final amplifier tubes. This bias voltage is -60 volts on receive and supplies the grid circuit of the final tubes on the main chassis from pin 2. The bias for the driver tube 12BY7A is also supplied from pin 4. This voltage is -20 volts on receive and -3.5 volts for transmit.

This module also contains the 100 KHz/25 KHz marker generator. Crystal controlled oscillator Q1, 2SC735Y oscillates at the 100 KHz crystal frequency for dial calibration. Trimmer capacitor, TC1 is used to calibrate

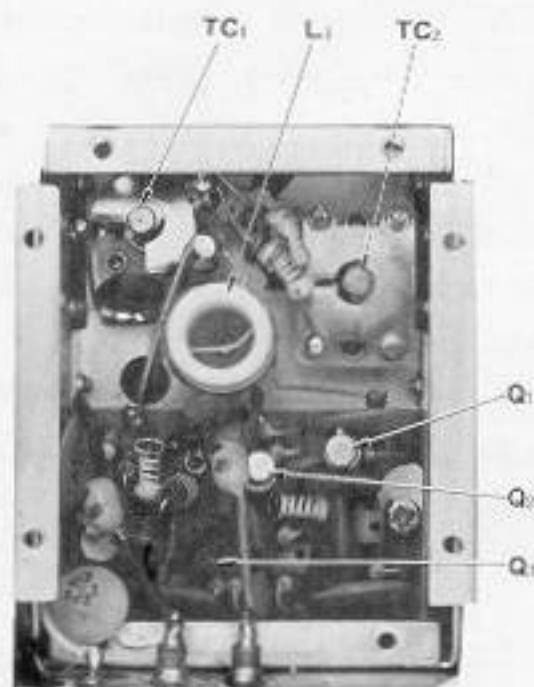


100 KHz against WWV or JJY. Output from the oscillator is fed to into 25 KHz multivibrator Q2 and Q3, 2SC735Y which generates a marker signal every 25 KHz. VR1 is used to synchronize the multivibrator to 25 KHz. The multivibrator operates when the supply voltage is applied through pin 17 from the switch on the front panel. The calibrator output is fed through the buffer amplifier Q4, 2SC735Y to the receiver antenna circuit from pin 16.

(7) VFO UNIT (PB-1056)

The VFO module board is installed in the VFO chassis. The VFO uses FET transistors Q1, 3SK22G and Q2, 3SK22G first buffer, Q3, 2SC372Y buffer provides isolation and amplification of the VFO signal.

The VFO oscillation frequency is 8700 KHz to 9200 KHz and covers the tunable IF range of 500 KHz. Varactor diode D1, 1S145 in series with capacitor C14 is switched into the circuit by the clarifier switch and the relay contacts to shift the VFO frequency for receiver offset tuning.



(8) NOISE BLANKER AND CRYSTAL CONTROL UNIT (PB-1182)

This module is located on the VFO unit containing the noise blanker and crystal oscillator for crystal controlled operation. On interconnection of the module is wired directly without using plug-in socket.

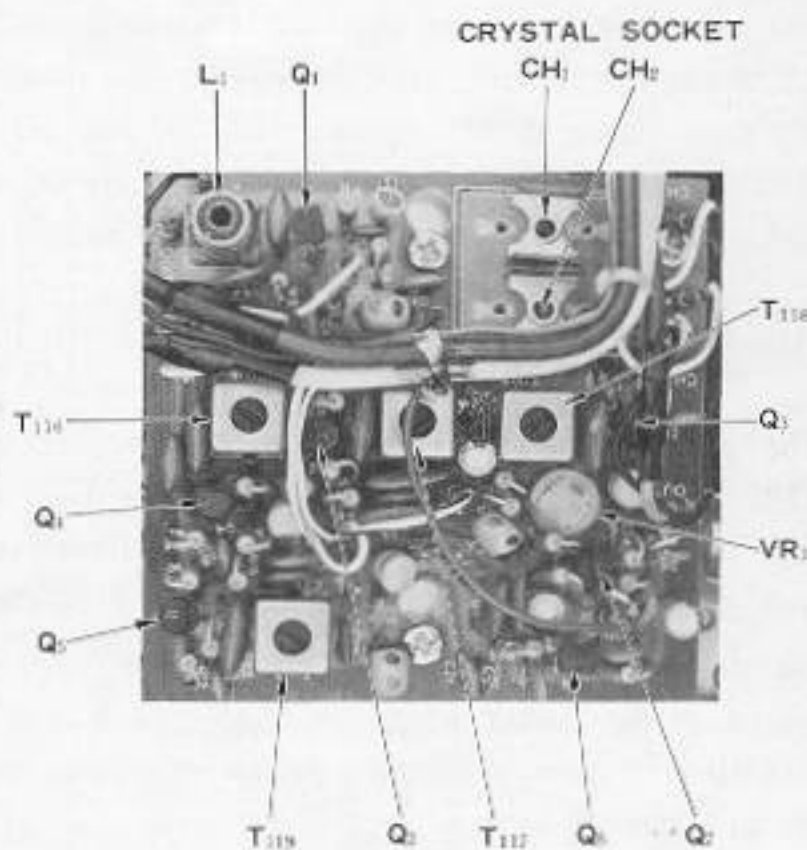
In addition to normal VFO operation, two crystals may be selected for crystal controlled operation by a selector switch located on the front panel of the transceiver.

3180 KHz output signal from the receiver 2nd mixer is fed to the base of IF amplifier Q2, 2SC372Y through T116. The signal amplified by Q2 is fed to the gate of the IF amplifier Q3, 2SK19GR through the noise blanker diode D2, 1S1555, and then amplified by Q3 and fed to the IF amplifier chain in the low frequency IF unit PB-1183.

The above 3180 KHz signal is also fed to the gate of noise amplifier Q4, 2SK19GR and amplified through Q4 and Q5, 2SC784R.

Pulse rectifier diode D4, 1S1555 conducts with the noise pulses in the output from Q5, and negative output voltage from the diode is applied to the gate of Q6, 2SK34E in order to turn off Q6. Then the noise blanker driver Q7, 2SC372Y conducts to switch a noise blanker diode D2, which disconnects the input circuit of the IF amplifier Q3 whenever the noise pulse exists.

The switching level is adjusted by the noise blanker threshold control VR1. At the most effective blanking position, there may be slight distortion on the received signal due to mixing at the switching diode. This effect can be reduced by adjusting the threshold control slightly.



(9) RECTIFIER UNIT (PB-1076)

The rectifier unit PB-1076 is located under the main chassis in the power supply compartment, and delivers four different DC voltages. The power amplifier plate voltage (600 Volts DC) is supplied from the bridge connected silicon rectifiers D1 - D4 and D9 - D12. 300 Volts DC is also obtained from this circuit for the driver plate supply.

160 Volts DC and -100 Volts DC are obtained through D5 and D6. D5 supplies the final tubes screen grid voltage, and D6 is used for the bias supply.

10.5 Volt AC is rectified by D7 and D8 for the transistor supply voltage.

(10) MAIN CHASSIS

The main chassis contains the power supply, transmitter driver, final amplifier and other associated circuits. All sockets for plug-in modules are mounted on the main chassis.

(A) POWER SUPPLY

The power supply is designed to operate from either 100/110/117/200/220/234 volts AC or 12 volts DC (negative ground). Inserting the appropriate power plug into the rear panel receptacle makes the necessary connections to operate the supply in either mode, AC or DC.

When the transceiver is operated from a 12 volt DC power source, transistors Q1 and Q2, 2SB212 function as a low frequency oscillator to provide AC to the power transformer. Starting bias for the oscillator is obtained from divider resistors R3, R4 and R5. All of the tubes heaters and input voltage to the DC converter are supplied through the HEATER switch.

(B) PRESELECT

The preselect control adjusts three gang-tuned coils T101, T102 and T103. T101 tunes the receiver front end. T102 provides interstage tuning on receive as well as driver grid tuning on transmit. T103 tunes the driver plate circuit. T104, T105 and T106 are placed in the circuit when the band switch is in 160 thru 40 meter band to obtain a proper impedance match for minimum distortion.

T111 is connected to the heterodyne crystal X1–X11 through the band switch and delivers the signal from the secondary to the mixer stages.

Diode switches are used in several locations for isolation of the circuits.

With the heater switch in the "OFF" position, voltage is still supplied to the receiver section, which allows continuous reception at reduced power consumption levels.

The high-voltage winding of the power transformer T11 is connected to a bridge-type solid state rectifier to supply approximately +600 volts and +300 volts

to the transmitter tubes. Output from the 120 volt tap is rectified to deliver +160 volts to the screen grids and –100 volts for the bias supply. During AC operation, T11 is energized by two primary windings. These windings can be connected in series for 200/220/234 volts and in parallel for 100/110/117 volts operation.

The output from a high current winding of 10.5 volts is rectified and is used to supply the transistorized stages.

(C) FINAL AMPLIFIER

The signal from the transmitter second mixer is fed to the grid of transmitter driver V1, 12BY7A where it is amplified to a level sufficient to drive the final linear amplifier V2 and V3, 6JS6C. The signal appearing across T103 and T105 is coupled to the grids V2 and V3. Neutralization of the power amplifier is accomplished by feeding back a small amount of the output through TC27 to the bottom of T103/T105 combination. Final output from V2 and V3 is fed to the antenna. The output RF voltage is divided by C28 and C29, and is rectified by D4, 1S1007 to indicate relative output power when the meter switch is in the PO position.

The ALC (automatic level control) voltage is obtained by D2 and D3, GP2-354 and controls the gain of the IF amplifier.

(11) METERING

The meter circuit is designed to indicate signal strength in the receive mode. On transmit, the meter may be switch selected to indicate cathode current, relative Power Output, and automatic level control. The meter functions are automatically switched by means of relay contacts for transmit and receive modes.

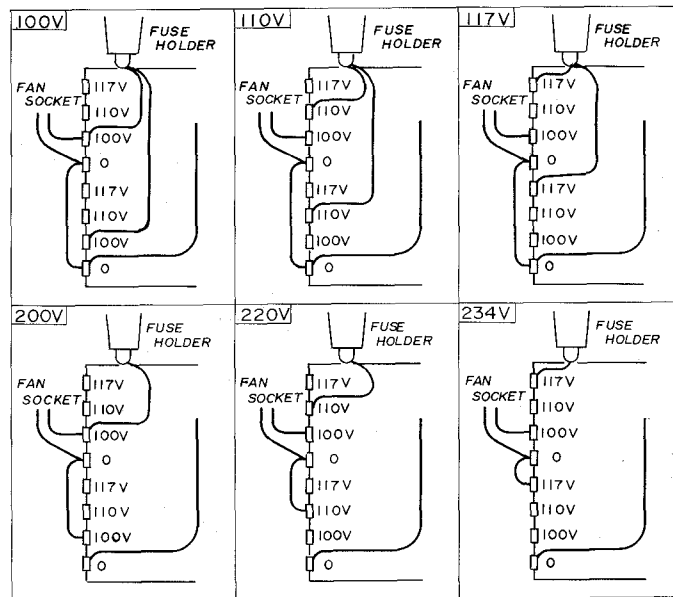
ALC meter readings are controlled by variations in grid current flowing in the final amplifier tubes. As the final amplifier drive is increased, due to modulation, a portion of this current flow is rectified and applied to the gate of MK-10 on PB-1184. The meter then indicates the current flowing in MK-10 which is derived from the ALC control voltage.

In the IC position, the meter is connected to the cathodes

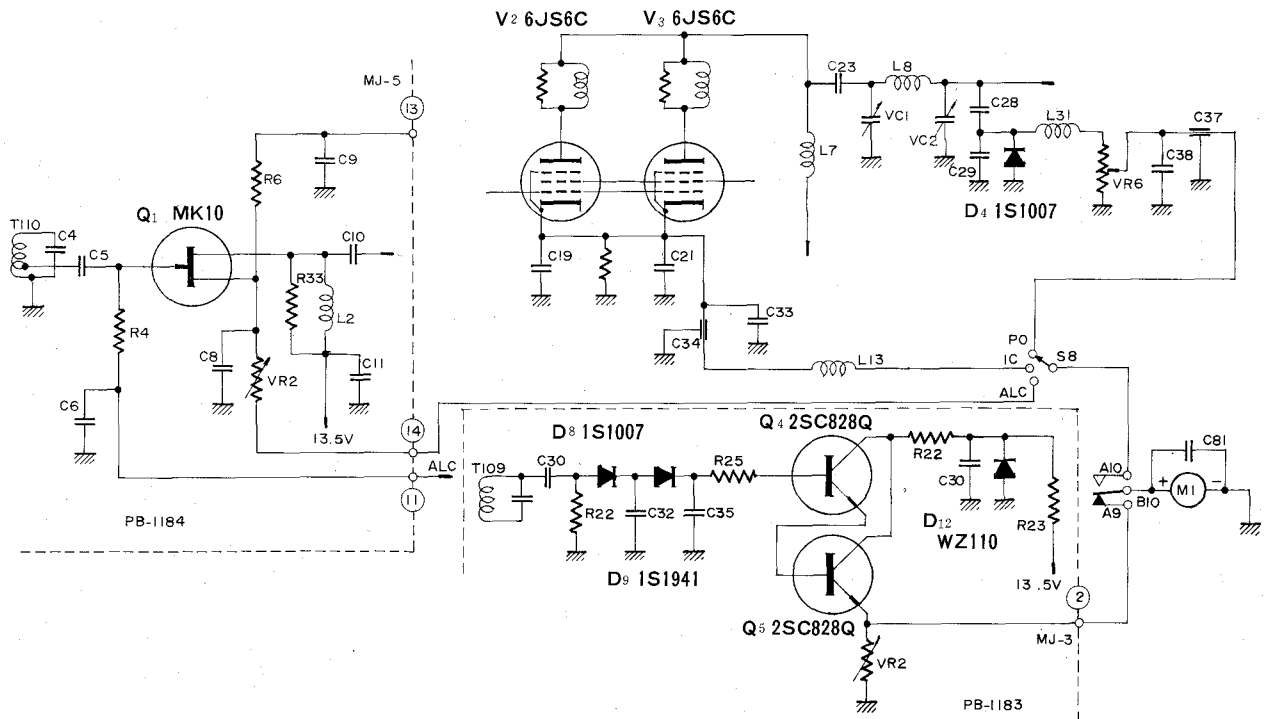
of final tubes in parallel with shunt resistor R12, and measures total cathode current of the tubes.

In the PO position, the relative power output is indicated by the rectified DC current at the pi output circuit. The meter sensitivity is adjusted by potentiometer VR6 located on the rear panel.

When the transceiver is in the receive mode, the AGC voltage developed by the signal is fed to the meter amplifiers Q4 and Q5 to provide a meter deflection proportional to input signal strength. The meter is calibrated in the customary "S" units. A meter indication of S-9 represents approximately 50 microvolts at the antenna terminals.



POWER TRANSFORMER CONNECTIONS



CRYSTAL CALCULATIONS FOR CRYSTAL CONTROLLED TRANSCEIVER OPERATION WITH THE EXTERNAL VFO OR THE TRANSCEIVER INTERNAL FIX OSCILLATOR, PB-1182.

The crystal holders accept standard HC-6/Utype crystals. All crystal frequencies must fall between 8,700 KHz and 9,200 KHz. A trimmer capacitor has been connected in parallel with each crystal to permit proper frequency adjustment. Adjustment of this trimmer will change the crystal frequency approximately 1 KHz.

The correct crystal frequency for any desired operating frequency, may be determined by the following formula :

$$F_x = (F_1 + F_c) - F_o$$

$F_x = (F_1 + F_c) - F_o$, where F_x is the crystal frequency, F_o is the desired operating frequency, and the constant $(F_1 + F_c)$ is taken from the table.

Frequency Table (F1 + Fc) Unit : KHz

BAND	LSB	USB	AM/CW
160	10701.5	10698.5	10699.3
80	12701.5	12698.5	12699.3
40	16201.5	16198.5	16199.3
20	23201.5	23198.5	23199.3
15	30201.5	30198.5	30199.3
11	36201.5	36198.5	36199.3
10A	37201.5	37198.5	37199.3
10B	37701.5	37698.5	37699.3
10C	38201.5	38198.5	38199.3
10D	38701.5	38698.5	38699.3

For Example :

Find the proper crystal for operation at 3900 KHz LSB on the 80 meter band.

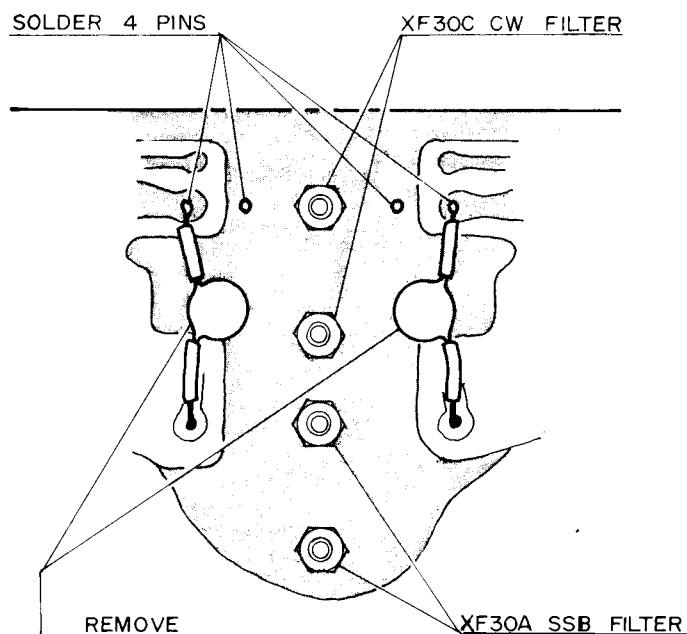
From the table find the constant (F1 + Fc) for LSB operation on this band. The constant is 12701.5, therefore $F_x = 12701.5 - 3900$
 $= 8801.5$ KHz.

CW FILTER INSTALLATION

1. Remove top cover of transceiver cabinet and locate printed circuit boards PB-1189 and PB-1183.
2. Remove two screws holding PB-1189 to the U-shaped bracket. Remove two screws holding the U-shaped bracket to the shield plate, located between the two boards.

3. Remove PB-1189 from the chassis connector receptical. Gently, rock the circuit board out of the connector.
4. Remove the two screws holding the shield plate and lift out of the cabinet.
5. Grasping the U-shaped brackets still attached to PB-1183, gently, rock the circuit board out of the connector.
6. With PB-1183 removed from the chassis, remove C-10 and C-9 (.01 uF) capacitors from board. Install XF-30C CW filter in position indicated using the nuts and lockwashers provided. Solder the four filter terminals to the board.
7. Re-install PB-1183 into socket, screw shield plate to chassis, and re-install PB-1189 into socket. Replace all attaching screws.

This completes the CW filter installation. The filter provides a 600 Hz bandpass when the mode switch is placed in the CW position. Transceiver alignment is not required for this installation.



ALIGNMENT

WARNING

DANGEROUS VOLTAGES ARE PRESENT. USE EXTREME CAUTION WHEN WORKING ON THE TRANSCEIVER WITH COVERS REMOVED. DISCHARGE ALL CAPACITORS BY SHORTING TO GROUND WITH AN INSULATED SCREW DRIVER, ETC.

CAUTION

Never operate the transceiver in the transmit mode without a matched antenna or adequate dummy load. The power amplifier tubes and P1 network components can be damaged if the transceiver is operated without the proper load termination.

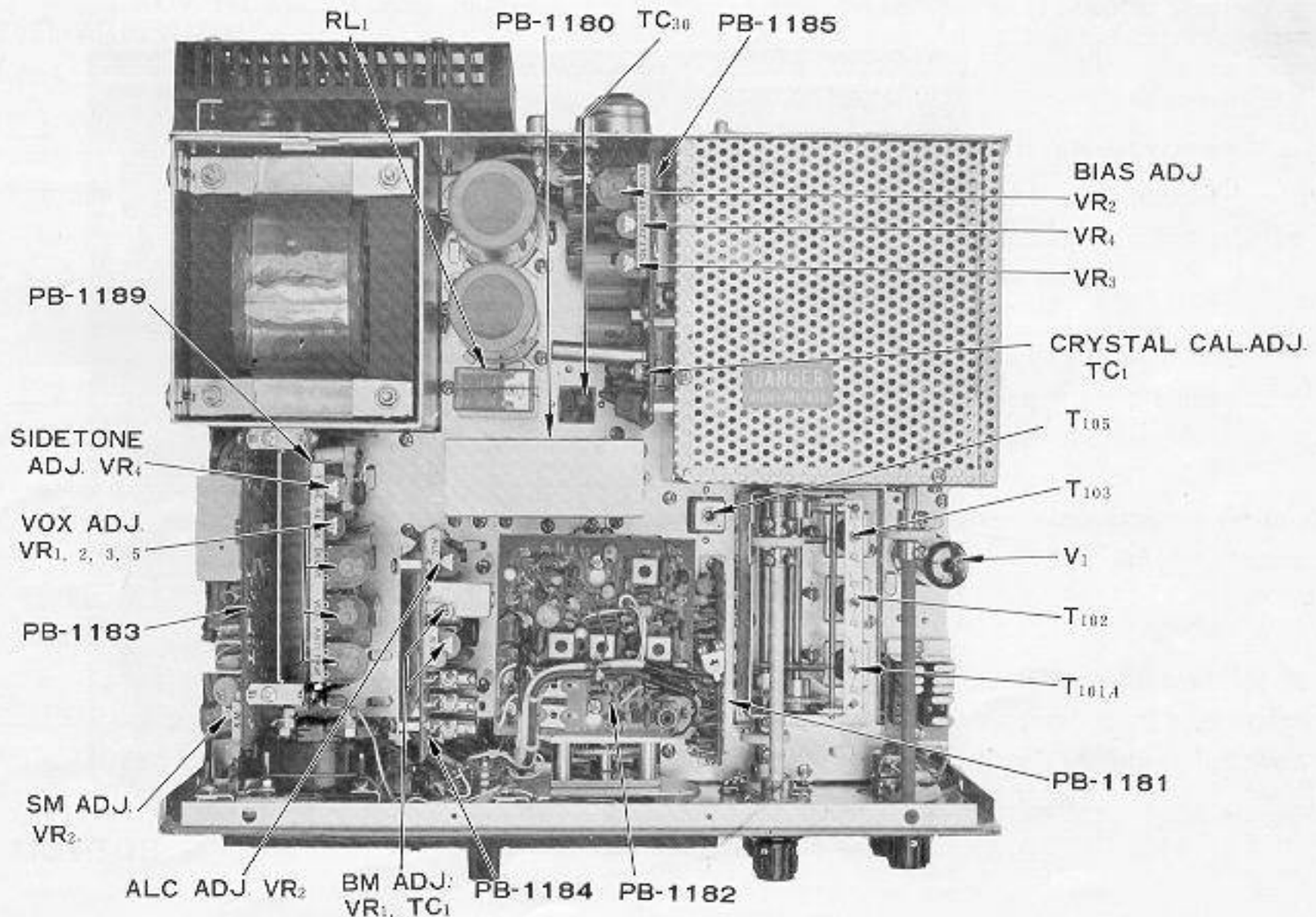
GENERAL

The transceiver has been carefully aligned and tested at the factory and, with normal usage, should not require other than the usual attention given to electronic equipment. Service or replacement of a major component may require subsequent realignment, but under no circumstance should realignment be attempted unless the operation of the transceiver is fully understood, the malfunction has been analyzed and definitely traced to misalignment.

Service work should only be performed by experienced personnel, using the proper test equipment.

EQUIPMENT REQUIRED

- (1) RF Signal Generator: Hewlett-Packard Model 606A, or equivalent with one volt output at an impedance of 50 ohms and a frequency coverage to 30MHz.
- (2) Vacuum Tube Voltmeter (VTVM): Hewlett-Packard Model 410B, or equivalent VTVM with an RF probe good to 40 MHz.
- (3) Dummy Load: Waters Model 334A or equivalent 50 ohms non-reactive load rated at 300 watts average power.
- (4) AF Signal Generator: Hewlett-Packard Model 200 AB, or equivalent.
- (5) A general coverage receiver covering the frequency range from 3 to 30 MHz with a 100 KHz calibrator.



1. S-METER SENSITIVITY ADJUSTMENT

Place the transceiver in the receive mode and connect a signal generator to the antenna terminal of the transceiver. Set the signal generator to 14200 KHz with an output of 50 uV.

Tune the transceiver for maximum S-meter reading. The S-meter should read S-9. If S-meter adjustment is required, adjust VR2 on PB-1183 to obtain an S-9 reading.

When the transceiver is tuned to 14200 KHz the 100 KHz crystal calibrator output will be approximately 50 uV or S-9 on the S-meter.

2. NOISE BLANKER THRESHOLD

The operating level of the noise blanker is determined by the THRESHOLD control VR1 on PB-1182. Counterclockwise rotation of the control increases the effectiveness of the blanker, however, extreme setting of this control reduces the receiver sensitivity.

With the noise blanker in the "OFF" position, tune in a signal on any band that registers between S-6.

Note the S-meter change when the noise blanker switch is placed in the "ON" position. When the noise blanker level is adjusted properly, the meter should indicate a decrease of one (1) or half S-unit.

If the change is greater or less than indicated, adjust VR1 to achieve the proper setting.

Extremely strong signals may cause distortion on the derived signal due to mixing at the switching diode. This effect can be reduced by decreasing the Noise Blanker threshold control or by switching the Noise Blanker to "OFF".

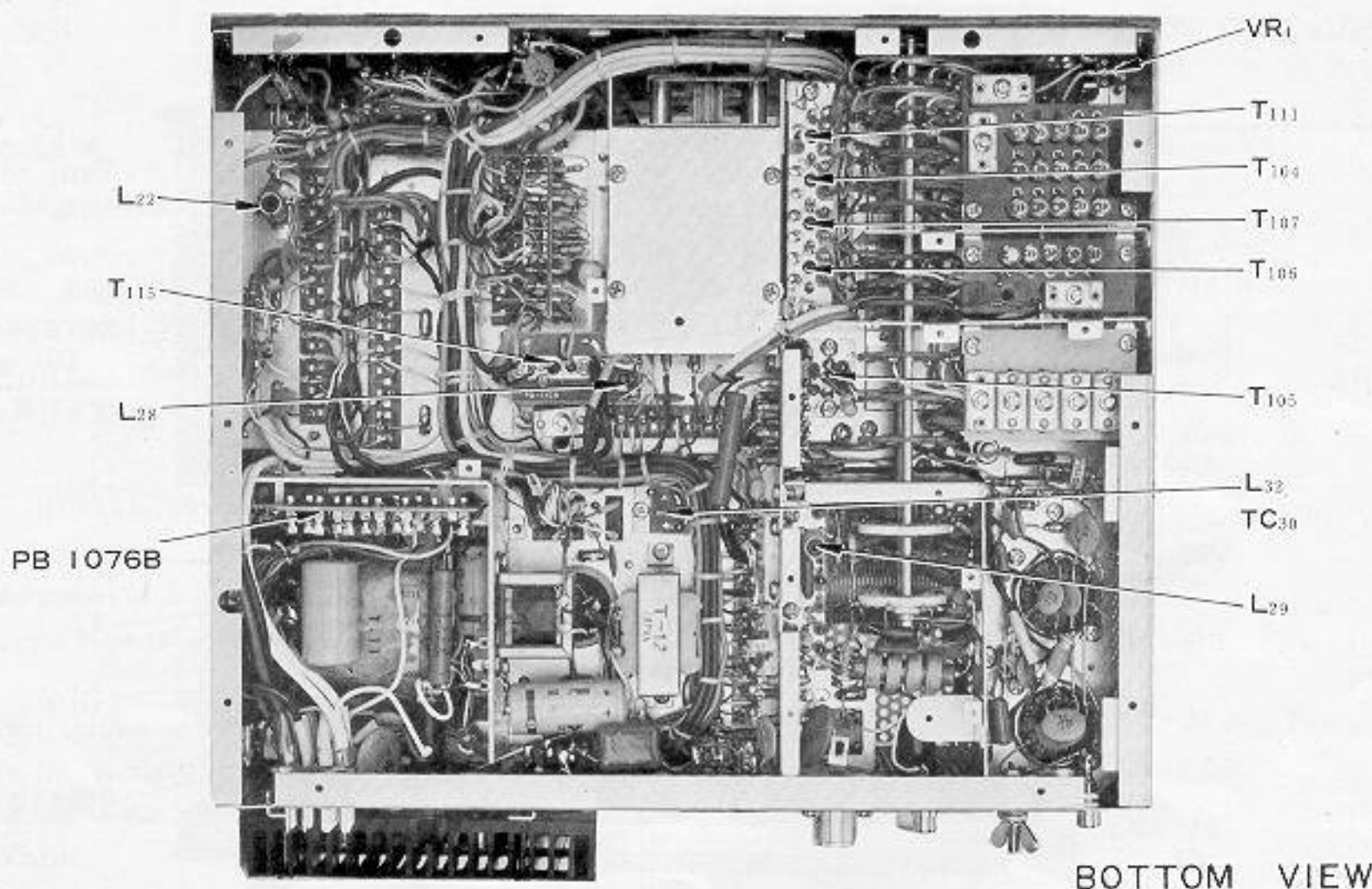
3. VOX ADJUSTMENT

VOX controls are located on PB-1189. These are VR1 VOX Gain, VR2 Delay, VR3 Relay Sensitivity and VR5 Antitrip Gain.

Set the operation switch to the VOX position and turn the AF GAIN and MIC GAIN controls fully counterclockwise. Slowly rotate the RELAY control (VR3) clockwise until the relay activates, then return the control carefully counterclockwise until relay releases. This release point is the proper setting for the RELAY sensitivity control.

Set MIC GAIN control to the center of its travel. Speak into the microphone normally, adjust VOX control VR1 to just activate VOX relay.

Tune in a signal and adjust the AF GAIN control to a comfortable listening level. Set the ANTITRIP control VR5 to the minimum point that will prevent the speaker output from tripping the VOX.



BOTTOM VIEW

Adjust the DELAY control VR2 for suitable release time.

4. CW SIDETONE LEVEL ADJUSTMENT

CW sidetone level may be adjusted by rotating TONE-level potentiometer (VR4) located on PB- 1189 .

5. CARRIER BALANCE

The transceiver should be allowed to reach operating temperature before making the carrier balance adjustment.

Tune-up the transceiver for SSB operation using an antenna or dummy load. Turn the MIC GAIN control fully counterclockwise to remove all audio from the modulator stage.

With the MODE switch set to either the LSB/USB positions, turn the "MOX-PTT-VOX" switch to the MOX position and adjust the carrier balance controls (VR1 and TC1) on PB- 1184 for minimum PO meter reading.

A more exacting balance may be obtained by tuning a receiver, having an S-meter, to the transmitted frequency. Adjust the balance controls for minimum S-meter reading while switching the MODE switch back and forth between the two sideband positions to obtain good carrier suppression for both sidebands.

6. ALC LEVEL ADJUSTMENT

The ALC meter will require adjustment if when the METER switch on the front panel is set to the ALC position, the mode switch to USB, the "MOX-PTT-VOX" switch to MOX and the microphone gain to zero the ALC meter does not read 5. To adjust the meter, set the controls as follows :

MODEUSB
MIC GAIN Fully CCW
MOX-PTT-VOXMOX

If the meter reads other than 5 on the bottom scale, adjust the ALC control VR2 on PB- 1184 for a meter indication of 5. Return the "MOX-PTT-VOX" switch to the PTT position.

7. VOLTAGE REGULATOR ADJUSTMENT

Connect a VTVM DC probe between pin 13 of MJ-6

(PB- 1185) and ground. Adjust VOLT potentiometer VR3 for exactly 6 Volt reading on VTVM.

8. CLARIFIER ADJUSTMENT

The frequencies coincide at CLARIFIER control OFF and 0 position in the receive mode. If not, adjust potentiometer VR4 located near the clarifier control potentiometer under the main chassis.

Transmit and receiver frequencies coincide at CLARIFIER control OFF position. If not, adjust ZERO potentiometer VR4 on PB-1185.

9. BIAS ADJUSTMENT

The final amplifier bias must be checked to insure linearity and normal operating plate dissipation for the final tubes. Adjust the BIAS control VR2 on PB-1079A as follows ; Set the transceiver to the receive mode and allow the transceiver to reach operating temperature.

Set MODE switch to USB, METER switch to IC and the "MOX-PTT-VOX" switch to MOX position for transmit condition. The meter will indicate PA plate current. Idle plate current is 50 mA if the bias is correct. If the idle plate current is other than 50 mA, adjust the BIAS control for 50 mA.

There is a little difference in the idle current between AC and DC operation. Adjust the idle current to 50 mA for each operation.

10. POWER OUTPUT METER ADJUSTMENT

VR6, located on the transceiver rear panel adjacent to the antenna coax fitting, provides an adjustment for power output indication on the meter.

This potentiometer should be adjusted to indicate 1/2 to 2/3 full scale meter deflection when the transmitter is producing full output power in the tune position.

It should be noted that the meter indicates relative power output and is not the basis for determining actual power output.

VR6 has been preset at the factory to read 1/2 to 2/3 full scale into a 52 ohm dummy load. The operator should not indiscriminately adjust VR6 into an unknown load or an antenna with high VSWR.

11. FINAL AMPLIFIER NEUTRALIZATION

When replacing the final amplifier tubes, it may be necessary to reset the bias to give correct idle current and check neutralization. Using the procedure outline below will guarantee maximum output and long tube life.

CAUTION

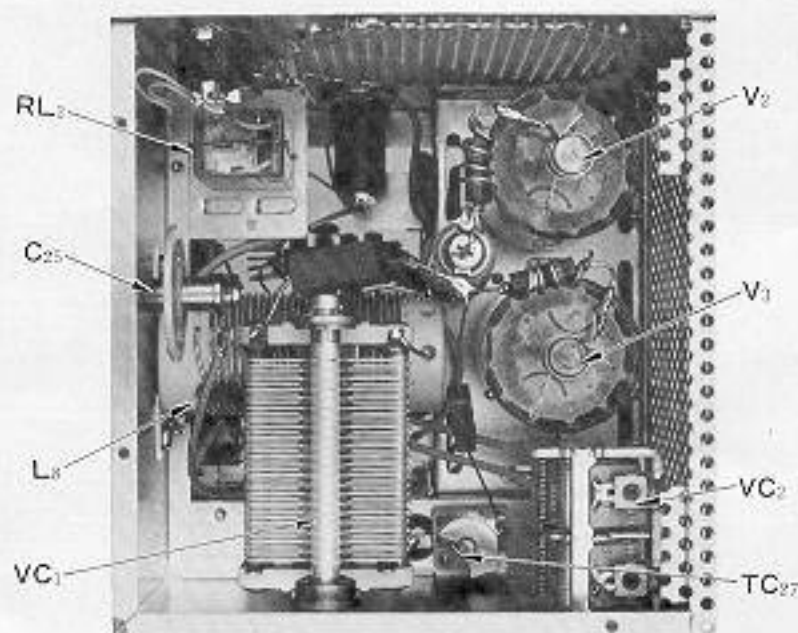
HIGH VOLTAGES ARE PRESENT ON UNDERSIDE OF CHASSIS AND INSIDE OF FINAL COMPARTMENT. USE GREAT CARE WHILE MAKING ADJUSTMENTS WITH WIRING EXPOSED.

- (1) Connect a dummy load to antenna, and set meter to IC.
- (2) Locate TC27 the neutralization variable capacitor shaft on the underside of the chassis near the driver stage band switch wafer, in the final amplifier section.
- (3) Check final amplifier idle current in USB or LSB position and adjust as described before.
- (4) Tune up the transceiver at 29 MHz, 10B or 10C

band with MODE switch at TUNE position, and advance the CARRIER control until meter IC reads 100 mA.

- (5) Rotate PLATE tuning control and observe dip as indicated on the meter. If the dip is not prominent, reduce the loading control slightly for better indication. As the PLATE control is rotated the meter should rise equally and smoothly on either side of maximum dip indication.
- (6) Determine which side of the dip rises abruptly. Set PLATE control slightly to this side of dip keeping the meter reading below 100 mA.
- (7) Using nonmetallic tuning wand, rotate neutralization capacitor shaft very slightly in the direction which reduces the current shown on the meter. Repeat steps 6 and 7 until the meter indicates a smooth and equal rise on either side of the maximum dip point.

The final compartment cover must be in place to supply the RF shielding required during the neutralization procedure.

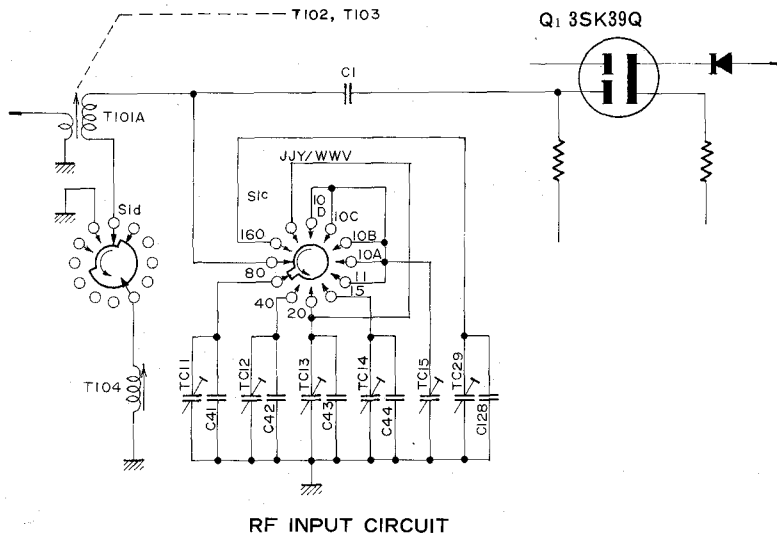


FINAL AMPLIFIER COMPARTMENT

12. ALIGNMENT OF TRANSMITTER MIXER/DRIVER AND RECEIVER FRONT END STAGES

The final amplifier bias adjustment must be set to 50 mA before extensive operation of the transmitter is

attempted. It is assumed that the signal generating stages of the transceiver are functioning properly. Use the internally generated signal of the transceiver to align the transmitter mixer and driver stages and the RF signal generator to align the receiver front end stage.



BAND	COIL	CAPACITOR	TRIMMER
160	T101A + T104	C128 1000 PF	TC29
80		C41 330 PF	TC11
40		C42 50 PF	TC12
20	T101A	C43 70 PF	TC13
15		C44 20 PF	TC14
10			TC15

- (1) Connect the 50-ohm dummy load to the antenna Jack. Tune up the transceiver at 30,000 KHz (BAND 10D, VFO at 30,000 KHz) as follows; Set the BAND switch to 10D, the VFO to 30,000 KHz, PRESELECTOR control to the upper end of 10 and 11 meter segment and the OPERATION switch at MOX. Advance the CARRIER control and tune the final amplifier. Maintain the resonant plate current (IC) at 100 mA with the CARRIER control. Set trimmer TC5 to the mid-capactance position and adjust the slugs of T102 and T103 for maximum output into the dummy load. Reduce the transmitter output to zero with the CARRIER control.
- (2) Set the OPERATION switch to the receive mode, RF and AF GAIN control to maximum, CLARIFIER control to "OFF", and NOISE BLANKER to "OFF". Do not change the VFO setting and PRESELECTOR control setting set up in step 1. Tune the RF signal generator to 30,000 KHz and adjust it for approximately 1,000 Hz beat note.

Use just enough signal generator output (approximately 1 microvolt for an aligned unit) to keep from developing AGC voltage (no S-meter indication). Set trimmer TC15 to the mid capacitance position. Adjust a slug of T-101 for maximum audio output without developing AGC voltage.

- (3) Set the BAND switch at 10A, the VFO at 28,000 KHz and the "MOX-PTT-VOX" switch at MOX. Advance the CARRIER control and tune the final amplifier. Maintain the meter reading at 100 mA with the CARRIER control as described in step 1.

Set the PRESELECTOR control to the lower end of 10 and 11 meter segment and adjust trimmer TC5 for maximum output at the dummy load. Reduce the transmitter output to zero with the CARRIER control.

- (4) Set the OPERATION switch to the receive mode and without changing the VFO or PRESELECTOR control settings, tune the RF signal generator to 28,000 KHz and obtain 1,000 Hz beat note.

BAND	GRID CIRCUIT			PLATE CIRCUIT		
	COIL	CAPACITOR	TRIMMER	COIL	CAPACITOR	TRIMMER
160	T102+T106	C129 1000PF	TC28	T103+T105	C130 1000PF	TC10
80		C4 330PF	TC1		C9 270PF	TC6
40		C5 50PF	TC2		C106 20PF	TC7
20	T102	C6 70PF	TC3	T103	C10 50PF	TC8
15			TC4		C107 10PF	TC9
10		C126 5PF	TC5			

12BY7A TUNING CHART

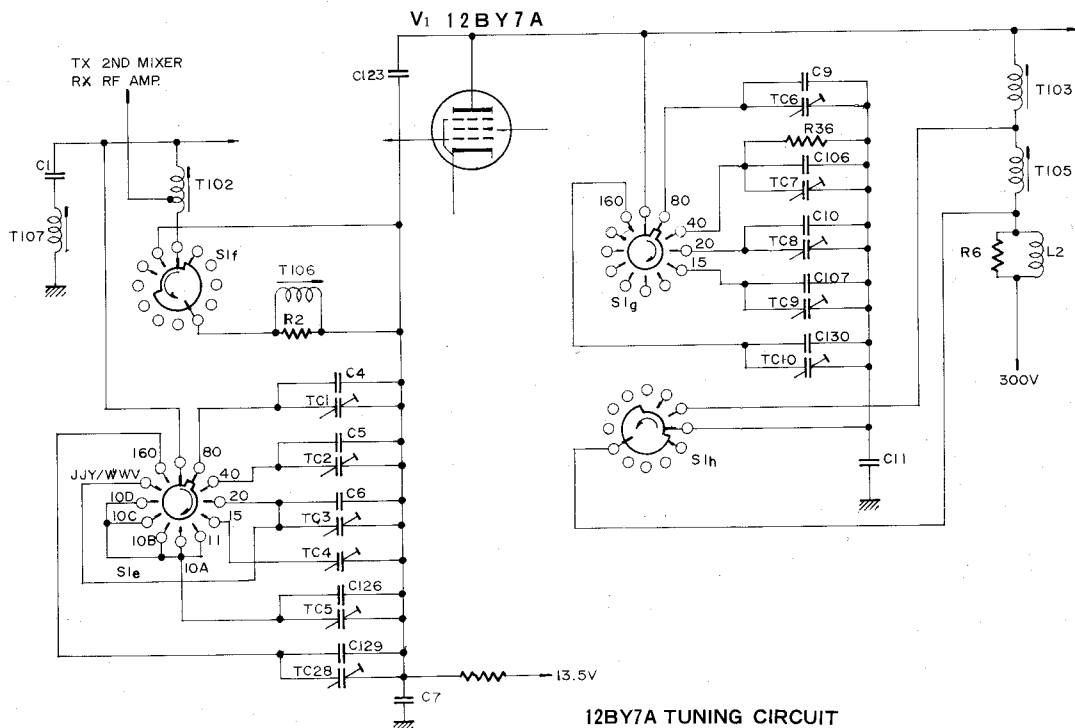
Control the signal generator output and adjust trimmer TC15 for maximum audio output as described in step 2.

(5) Repeat step 1, 2, 3 and 4 to peak out the coil adjustments for the 10 meter band.

(6) Set the BAND switch to 15, the VFO to 21,000 KHz and the PRESELECTOR to the lower edge of the 15 meter segment. Tune up the transceiver to 21,000 KHz as described above. Adjust trimmers TC4 and TC9 for maximum transmitter output into the dummy load.

(7) Set the OPERATION switch to the receive mode, and without changing the VFO or PRESELECTOR settings. Tune the RF signal generator to 21,000 KHz and obtain the 1,000 Hz beat note. Adjust trimmer TC14 for maximum audio output as described in step 2.

(8) Repeat the procedures given in step 6 and 7 on the 20 meter band. The trimmer TC3 and TC8 are used for maximum transmitter output and TC13 for maximum audio output in receive.



(9) Set the BAND switch at 80, VFO at 4,000 KHz, and the PRESELECTOR at 7 of the inner scale. Set TC1 and TC6 at the mid-capacitance point. Tune the transceiver to 4,000 KHz and adjust T105 and T106 for maximum transmitter power output into the load.

(10) Set the OPERATION switch to the receive mode, and without changing the VFO or PRESELECTOR settings, tune the RF signal generator to 4,000 KHz and obtain a 1,000 Hz beat note. Set TC11 to the mid-capacitance point. Adjust T104 for maximum audio output as described in step 2.

(11) Set the PRESELECTOR at the lower edge of the 80 meter segment, VFO at 3,500 KHz, and adjust TC1 and TC6 for maximum transmitter power output into the dummy load.

(12) Set the OPERATION switch to the receive mode,

and without changing the VFO or PRESELECTOR settings, tune the RF signal generator to 3,500 KHz and obtain a 1,000 Hz beat note. Adjust TC11 for maximum audio output as described in step 2.

(13) Repeat step 9, 10, 11, and 12 to peak out the coil adjustments for 80 meter bands.

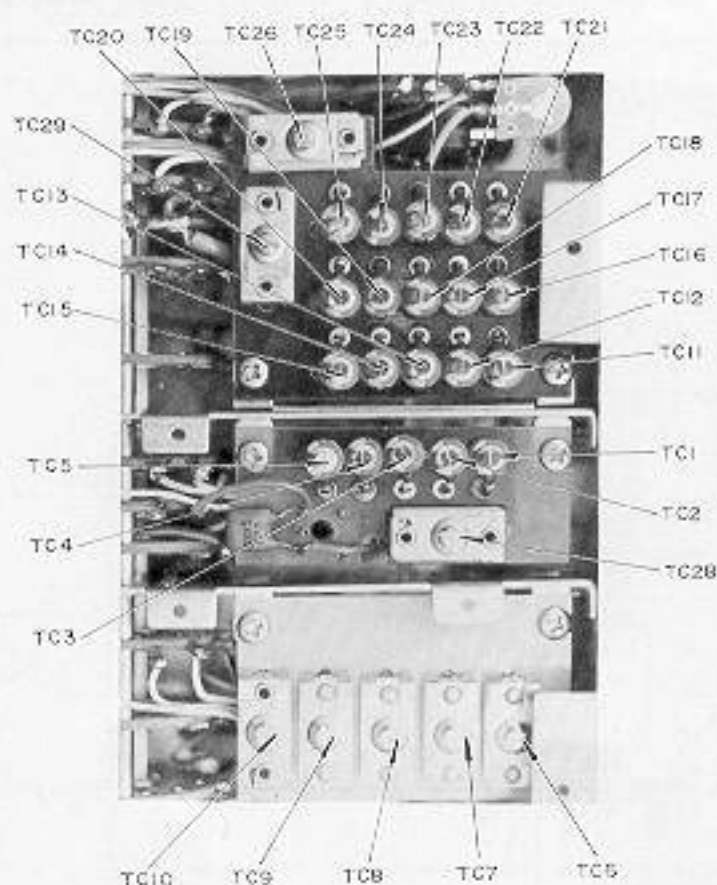
(14) Set the BAND switch to 40, VFO at 7,000 KHz and the PRESELECTOR to the lower edge of the 40 meter segment. Adjust TC2 and TC7 for maximum transmitter power output into the dummy load.

(15) Set the VFO at 7,150 KHz and PRESELECTOR for maximum power output. Adjust L33 for maximum power output into the dummy load.

(16) Set the OPERATION switch to the receive mode, and set the VFO or PRESELECTOR settings to the same position as step 14, tune the RF signal generator to 7,000 KHz and obtain a 1,000 Hz beat note. Adjust TC12 for maximum audio output.

(17) Set the BAND switch to 160, VFO at 1,900 KHz and the PRESELECTOR at 2 of the inner scale. Adjust TC28 and TC10 for maximum power output into the dummy load.

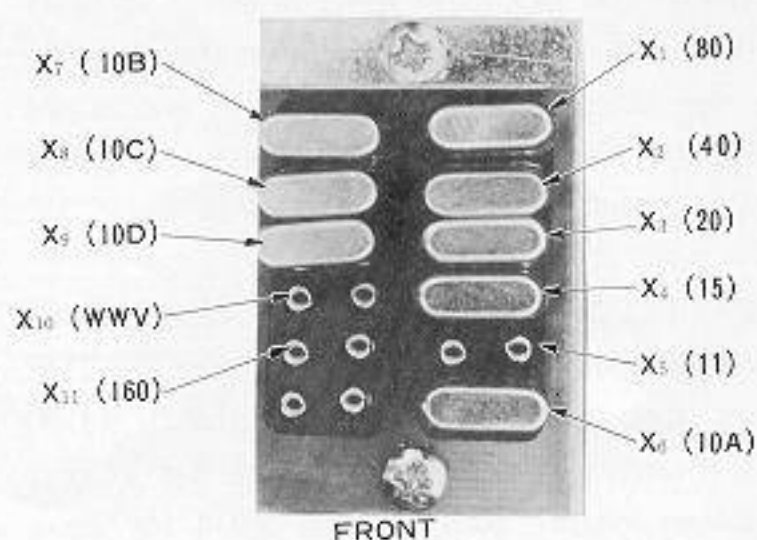
(18) Turn the OPERATION switch to the receive mode, and leave the VFO and PRESELECTOR settings unchanged. Apply the RF signal generator output at 1,900 KHz to antenna terminal. Adjust TC29 for maximum S-meter reading.



13. HETERODYNE CRYSTAL OSCILLATOR ALIGNMENT

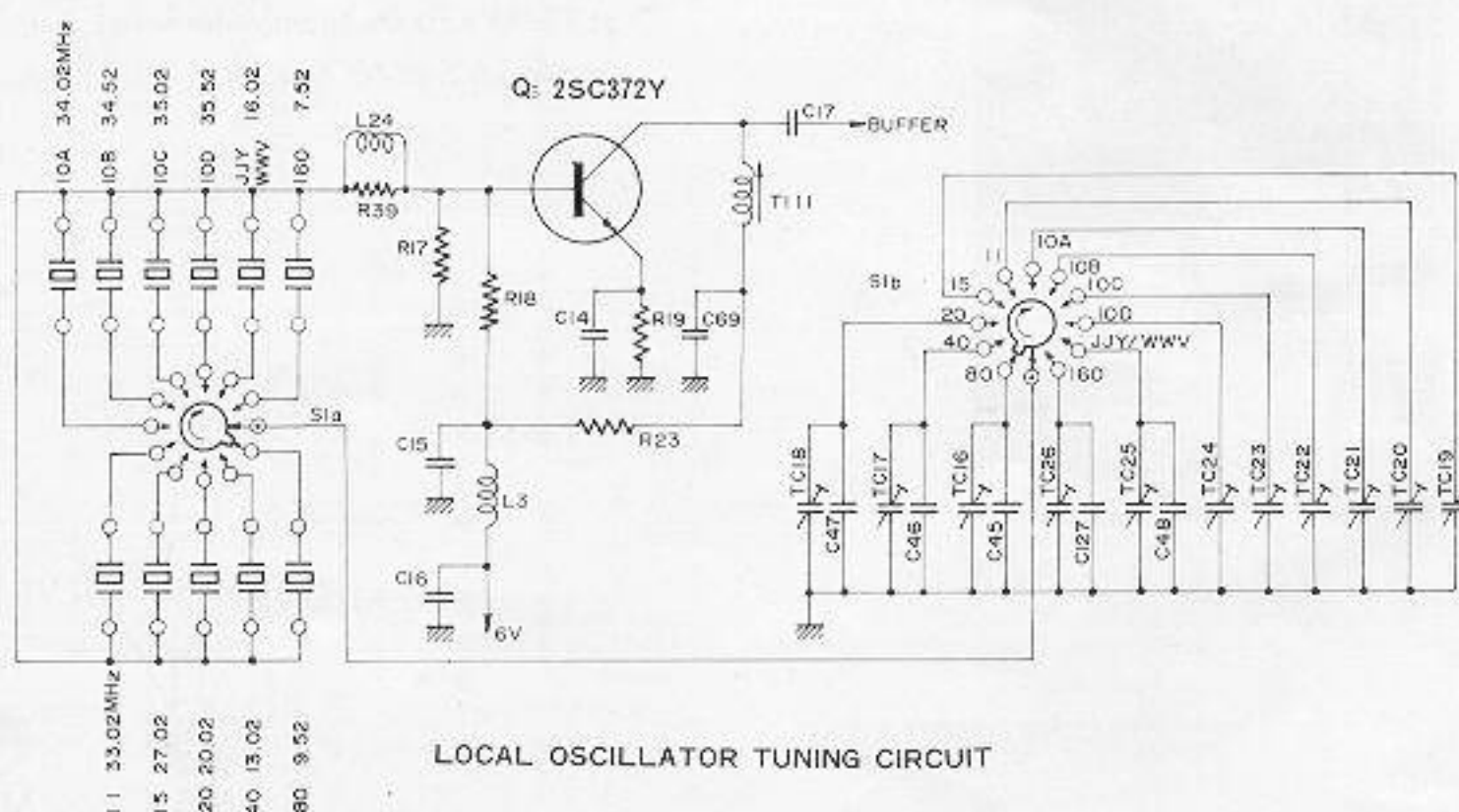
The heterodyne crystal oscillation injection may be checked in the following manner. Connect the VTVM RF probe to the local oscillator test point. Injection is normal if the injection voltage measures 0.3 Volt RMS on all bands.

If not, alignment is required. Set the BAND switch at 10D, TC24 at 1/3 capacitance position, and adjust T111 for 0.3 Volt RMS reading on VTVM. Then adjust TC23, TC22, TC21,..... TC16 and TC26 for each of the band to read 0.3 Volt RMS on VTVM.



BAND	No.	TUNING CAPACITOR		CRYSTAL FREQUENCY	
160	X11	C127	250PF	TC26	7.52MHz(option)
80	X 1	C45	300PF	TC16	9.52MHz
40	X 2	C46	150PF	TC17	13.02MHz
20	X 3	C47	50PF	TC18	20.02MHz
15	X 4			TC19	27.02MHz
11	X 5			TC20	33.02MHz
10A	X 6			TC21	34.02MHz
10B	X 7			TC22	34.52MHz
10C	X 8			TC23	35.02MHz
10D	X 9			TC24	35.52MHz
WWV	X10	C48	100PF	TC25	16.02MHz

LOCAL OSCILLATOR TUNING CHART



LOCAL OSCILLATOR TUNING CIRCUIT

14 TRAP COIL ALIGNMENT

- (1) T107 is used to eliminate the direct-feed-through interference at the IF frequency, and tuned to 6020 KHz. Set the transceiver at 7,000 KHz LSB in receive mode and peak the PRESELECTOR for maximum noise output. Set the RF signal generator to 6,020 KHz and increase the signal generator output until an audio beat note is heard. Adjust T107 for minimum audio output.
- (2) L29 on the printed circuit board located near the antenna change-over relay RL2 is also used to eliminate the direct-feed-through interference. Set the transceiver at 7,100 KHz in the receive mode. Tune the RF signal generator to 5,920 KHz. Adjust L29 for minimum S-meter reading.
- 3) L22 eliminates the interference by 9th harmonic of the carrier oscillator. Tune the transceiver to 28,600 KHz USB in the receive mode, and increase RF and AF gain control until an audio beat note is heard. Adjust L22 for minimum audio output.
- (4) T113 in the high frequency IF unit is used to eliminate spurious radiation on the 20 meter band. For alignment, tune transceiver to maximum output at 14,350 KHz in the tune position. Measure the spurious radiation, by using the S-meter of another receiver tuned to 14,520 KHz where a spurious radiation can be heard. Adjust T113 for minimum S-meter reading without decreasing the power output of the transceiver.
- (5) T115 is located on the printed circuit board near the VFO unit and is used to suppress carrier oscillator feed-through. Tune the transceiver to any frequency and load it to full output. Reduce the microphone gain to zero and place the mode switch in the USB position. Adjust T115 for minimum S-meter reading on the receiver.
- (6) L28 is used to eliminate spurious radiation on the 15 meter band. Tune the transceiver to maximum output at 21,200 KHz in the tune position. Locate the spurious radiation at 21,220 KHz by another receiver. Adjust L28 for minimum S-meter reading on the receiver.
- (7) TC30 connected in series with L32 on the printed circuit board located on the main chassis near the relay RL1 is used to eliminate spurious radiation on 10 meter band. For alignment, tune transceiver to maximum output at 28,500 KHz in the tune position. Measure the spurious radiation by using the S-meter of another receiver tuned to 28,160 KHz where the spurious signal can be heard. Adjust TC30 for minimum S-meter reading without decreasing the power output of the transceiver.

CAUTION

Continuous full output for more than 10 seconds may result in destruction of final tube.

VOLTAGE CHART

MJ PIN		D.C. VOLTAGE												R.F. VOLTAGE											
		1		2		3		4		5		6		1		2		3		4		5		6	
		R	T	R	T	R	T	R	T	R	T	R	T	R	T	R	T	R	T	R	T	R	T	R	T
1	E	E	E	E	E	E	E	E	E	E	E	E	E	E	E	E	E	E	E	E	E	E	E	E	
2	E	E	E	E	0	0	E	E	0	0	-70	-55	E	E	E	E	—	—	E	E	—	—	—	—	
3	6.0	6.0	0	0	13.0	12.5	0	0	0.7	0.7	-18	0	3	3	3180KHz 85dB	—	—	—	—	—	—	—	—		
4	0.5	0.5	E	E	0	0	0	0	8.5	8.5	-20	-3.5	2	2	E	E	—	—	—	—	—	—	—	—	
5	5.5	5.5	0	0	0	0	0	0	6.0	6.0	-150	-140	—	—	0	0	0.6	0	—	—	—	—	—	—	
6	6.0	6.0	E	E	0	0	E	E	0	0	170	170	—	—	E	E	—	—	E	E	1	1	—	—	
7	E	E	13.0	12.5	E	E	0	0	E	E	2.7	2.7	E	E	—	—	E	E	—	—	E	E	—	—	
8	0	0	E	E	0	11.5	0	0	0	0	0.6	2.7	14MHz 48dB	—	E	E	—	—	—	—	—	—	—	—	
9	8.0	13.0	12.0	0	9.0	9.0	9.0	9.0	0	0	12.5	0	—	—	—	—	—	—	—	—	—	—	—	—	
10	0	11.5	E	E	6.5	0.35	1.5	1.5	13.0	12.5	0	11.5	—	—	E	E	3180KHz 70dB	—	—	—	—	—	—	—	
11	13.0	12.5	0	0	13.0	12.5	E	E	0	0	2.5	2.5	14250 46dB	1	0.08	0.06	—	—	E	E	—	—	—	—	
12	12.5	0	E	E	0.7	0.7	11.0	10.5	6.6	0.3	13.5	13.0	—	—	E	E	—	—	—	—	—	0.1	—	—	
13	12.0	0	0	11.5	8.0	13.0	0	0	12.5	0	6.0	6.0	—	0.06	—	—	—	—	—	—	—	—	—	—	
14	13.0	12.5		E	E	E	6.0	6.0	12.5	0.3	13.0	12.5	—	—	—	E	E	E	—	—	—	—	—	—	
15	0	0	13.0	12.5	0	0	13.0	12.5	—	—	0	0	0.3	0.8	5720KHz 66dB	0.3	3180KHz 83dB	0.06	—	—	—	—	—	—	
16	0	11.5	13.0	12.5	0	0	13.0	12.5	—	—	0	0	—	—	5720KHz 56dB	0.1	—	—	—	—	—	—	—	—	
17	13.0	12.5	E	E	0	0	0	0	—	—	0	0	5720KHz 70dB	0.3	E	E	3180KHz 78dB	0.03	—	—	—	—	—	—	
18	E	E	E	E	0	0	E	E	—	—	E	E	E	E	E	E	—	—	E	E	—	—	E	E	
19	—	—	—	—	13.0	12.5	E	E	—	—	—	—	—	—	—	—	—	—	E	E	—	—	—	—	
20	—	—	—	—	12.5	0	E	E	—	—	—	—	—	—	—	—	—	—	—	—	—	—	—	—	
21	—	—	—	—	6.0	6.0	E	E	—	—	—	—	—	—	—	—	—	—	—	—	—	—	—	—	
22	—	—	—	—	E	E	0	0	—	—	—	—	—	—	—	—	E	E	—	—	—	—	—	—	

VALUES ARE IN VOLTS D.C.
R:RECEIVE, T:TRANSMIT

MODE:USB, BAND:20M, R:RECEIVE, T: TRANSMIT
VALUES WITHOUT ANY UNIT ARE IN VOLTS R.M.S.
VALUES WITH DB ARE SIGNAL GENERATOR OUTPUT LEVELS TO PRODUCE S-9.
VALUES GIVEN UNDER THE COLUMN T ARE SIGNAL LEVELS TO PRODUCE 100W OUTPUT POWER MODULATED BY 1KHz MIC INPUT.

RESISTANCE CHART

MJ. PINNO. \ NO.	1	2	3	4	5	6
1	E	E	E	E	E	E
2	E	E	15 0	E	0	10K
3	300	0	10	0	∞	4K
4	3K	E	∞	※	10 K	10K
5	300	∞	0	∞	200	30K
6	200	E	1K	E	5	50K
7	E	10	E	0	E	3K
8	0	E	0	1K	5K	6K
9	2.5K	12 0	10K	10 K	1K	120
10	※	E	3K	50K	10	0
11	100	∞	10	E	1M	3K
12	120	E	1K	100	3K	10
13	120	0	3K	∞	1.2K	200
14	10	※	E	200	700	10
15	0	10 0	∞	10	—	50K
16	0	10 0	∞	10	—	0
17	100	E	∞	※	—	∞
18	E	E	∞	∞	—	E
19	—	—	10	※	—	—
20	—	—	120	E	—	—
21	—	—	200	E	—	—
22	—	—	E	※	—	—

VALUES ARE IN OHMS.

Order Instruction;

Parts number is independent for each unit, except T-transformers and T-inductors, therefore it is requested to specify parts number together with unit classification as following example.

No. 1 RF Unit R1 100K ohm $\frac{1}{4}$ w ※ VALUE IS NOMINAL

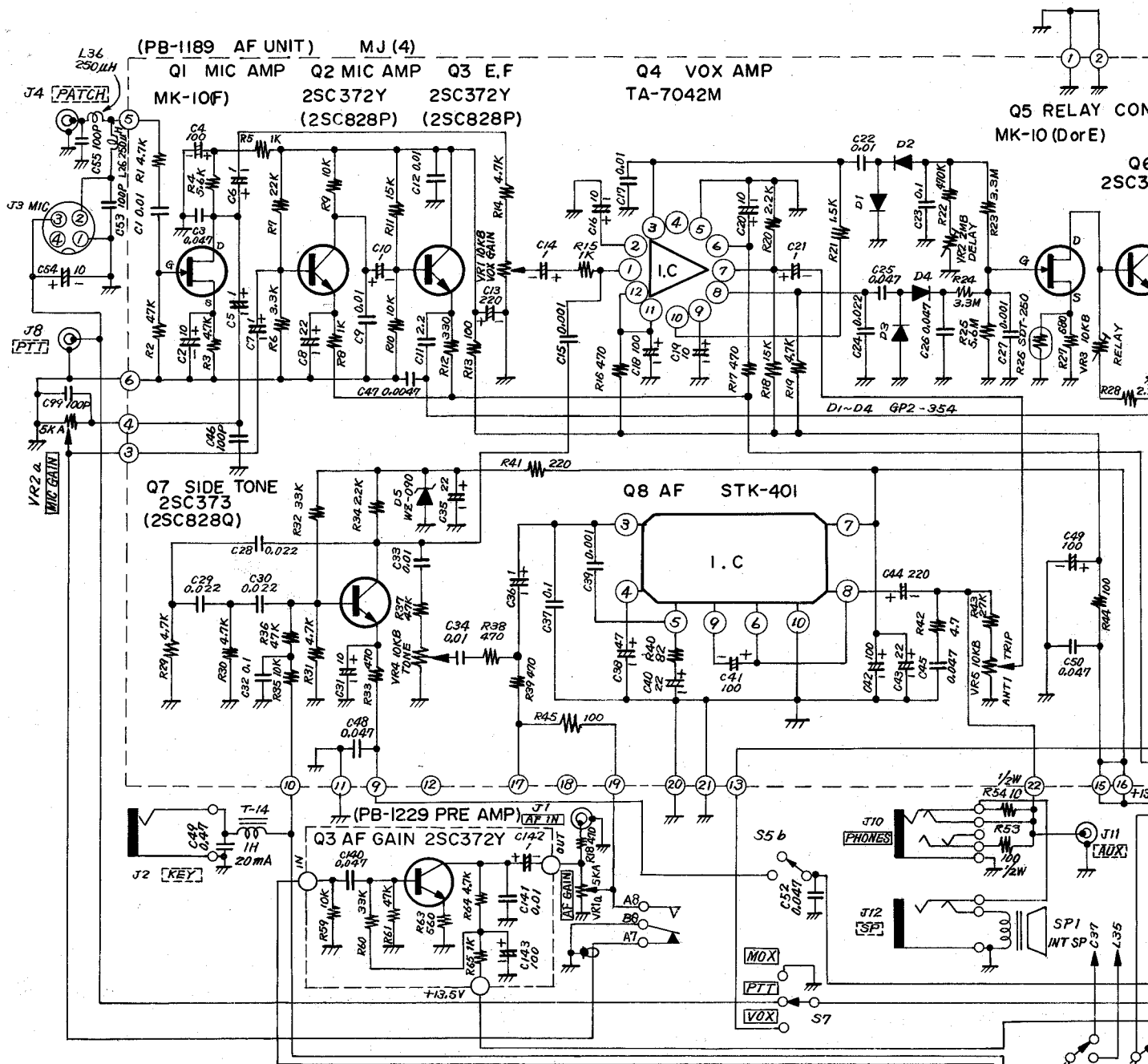
RF UNIT				C-CAPACITOR			
PRINTED CIRCUIT BOARD PB-1181(A~Z)				DIPPED MICA			
Q-FET & TRANSISTOR				6	500WV	20PF	$\pm 10\%$
4	TR.	2SC372Y		1	500WV	40PF	$\pm 10\%$
5	TR.	2SC373		8	500WV	100PF	$\pm 10\%$
3	TR.	2SC784R		2	500WV	470PF	$\pm 10\%$
2	FET	2SK19GR		CERAMIC DISC			
1	FET	3SK39Q		7	50WV	0.001 μ F	$\pm 80\%$ -20%
D-DIODE				3~5, 9, 11, 13	50WV	0.01 μ F	$\pm 80\%$ -20%
1, 2	Si.	GP2-354		17	50WV	0.047 μ F	$\pm 80\%$ -20%
R-RESISTOR				CERAMIC FEED THRU			
CARBON FILM				14~16	500WV	0.001 μ F	$\pm 100\%$ -0%
22	$\frac{1}{4}$ W	56 Ω	$\pm 10\%$	ELECTROLYTIC			
23	$\frac{1}{4}$ W	100 Ω	$\pm 10\%$	18	16WV	1 μ F	
16	$\frac{1}{4}$ W	220 Ω	$\pm 10\%$	TC-TRIMMER CAPACITOR			
6	$\frac{1}{4}$ W	330 Ω	$\pm 10\%$	CERAMIC			
10, 19	$\frac{1}{4}$ W	470 Ω	$\pm 10\%$	1~3	ECV1ZW50P32	50PF	
11	$\frac{1}{4}$ W	560 Ω	$\pm 10\%$	L-INDUCTOR			
9, 13	$\frac{1}{4}$ W	1 K Ω	$\pm 10\%$	1	BPF-A		
7	$\frac{1}{4}$ W	1.5K Ω	$\pm 10\%$	2	BPF-B		
8	$\frac{1}{4}$ W	2.2K Ω	$\pm 10\%$	3	BPF-C		
17, 20	$\frac{1}{4}$ W	3.3K Ω	$\pm 10\%$	34	RF CHOKE	1.95 μ H	
21	$\frac{1}{4}$ W	8.2K Ω	$\pm 10\%$	4, 8	RF CHOKE	250 μ H	
14, 18	$\frac{1}{4}$ W	15 K Ω	$\pm 10\%$	T-TRANSFORMER & INDUCTOR			
2	$\frac{1}{4}$ W	22 K Ω	$\pm 10\%$	112A	IF TRANSFORMER		
4	$\frac{1}{4}$ W	68 K Ω	$\pm 10\%$	113	TRAP COIL		
1, 3, 5, 12	$\frac{1}{4}$ W	100 K Ω	$\pm 10\%$	X-CRYSTAL			
VR-VARIABLE RESISTOR				1	HC-18/U	6360KHz	
1	EVL50A00B53	5K Ω B		IF UNIT			
C-CAPACITOR				PRINTED CIRCUIT BOARD PB-1183(A~Z)			
DIPPED MICA				Q-FET, IC & TRANSISTOR			
17	500WV	6PF	$\pm 0.5PF$	2	TR.	2SC784R	
5	500WV	50PF	$\pm 10\%$	4, 5	TR.	2SC828Q	
1, 11	500WV	100PF	$\pm 10\%$	3	IC	CA3053	
CERAMIC DISC				1	FET	MK10F	
3	50WV	0.001 μ F	$\pm 80\%$ -20%	D-DIODE			
2, 4, 7~10, 12~16, 18	50WV	0.01 μ F	$\pm 80\%$ -20%	5, 7~11	Ge.	1S1007	
6	50WV	0.047 μ F	$\pm 80\%$ -20%	1~4, 6	Si.	GP2-354	
L-INDUCTOR				12	Zener	WZ-110	
3	RF CHOKE	250 μ H		R-RESISTOR			
1, 2	RF CHOKE	1mH		CARBON FILM			
MIXER UNIT				2, 13, 16	$\frac{1}{4}$ W	100 Ω	$\pm 10\%$
PRINTED CIRCUIT BOARD PB-1082(A~Z) PB-1180(A~Z)				23	$\frac{1}{4}$ W	220 Ω	$\pm 10\%$
Q-FET & TRANSISTOR				20	$\frac{1}{4}$ W	470 Ω	$\pm 10\%$
1	TR.	2SC372Y		12, 15, 19	$\frac{1}{4}$ W	1 K Ω	$\pm 10\%$
2	FET	3SK39Q		3, 14	$\frac{1}{4}$ W	2.2K Ω	$\pm 10\%$
D-DIODE				8, 9, 22	$\frac{1}{4}$ W	3.3K Ω	$\pm 10\%$
1	Si.	GP2-354		11	$\frac{1}{4}$ W	3.9K Ω	$\pm 10\%$
R-RESISTOR				4, 5	$\frac{1}{4}$ W	5.6K Ω	$\pm 10\%$
CARBON FILM				17, 24, 25, 27	$\frac{1}{4}$ W	10 K Ω	$\pm 10\%$
12	$\frac{1}{4}$ W	10 Ω	$\pm 10\%$	10	$\frac{1}{4}$ W	27 K Ω	$\pm 10\%$
5, 7	$\frac{1}{4}$ W	100 Ω	$\pm 10\%$	1, 18, 21	$\frac{1}{4}$ W	100 K Ω	$\pm 10\%$
13	$\frac{1}{4}$ W	470 Ω	$\pm 10\%$	CARBON COMPOSITION			
3, 16	$\frac{1}{4}$ W	1 K Ω	$\pm 10\%$	26	$\frac{1}{4}$ W	1 M Ω	$\pm 10\%$
2	$\frac{1}{4}$ W	3.3K Ω	$\pm 10\%$	6, 7	$\frac{1}{2}$ W	100 Ω	$\pm 10\%$
14, 15	$\frac{1}{4}$ W	5.6K Ω	$\pm 10\%$	VR-VARIABLE RESISTOR			
10	$\frac{1}{4}$ W	10 K Ω	$\pm 10\%$	1	TR12R	500 Ω B	
4, 6	$\frac{1}{4}$ W	15 K Ω	$\pm 10\%$	2	TR11R	500 Ω B	
11	$\frac{1}{4}$ W	22 K Ω	$\pm 10\%$	C-CAPACITOR			
1	$\frac{1}{4}$ W	27 K Ω	$\pm 10\%$	DIPPED MICA			
8	$\frac{1}{4}$ W	100 K Ω	$\pm 10\%$	1, 24, 25	500WV	100PF	$\pm 10\%$
9	$\frac{1}{4}$ W	220 K Ω	$\pm 10\%$				

15, 22	500WV	150PF ±10%	15, 27, 39	50WV	0.001μF ±20%
11, 17	500WV	470PF ±10%	1, 9, 12, 17, 22, 33, 34	50WV	0.01 μF ±20%
CERAMIC DISC			24, 28 ~30	50WV	0.022μF ±20%
26~28	50WV	0.001μF +80% -20%	3, 25, 26, 45, 48, 50	50WV	0.047μF ±20%
2~6, 9, 10, 12, 13, 18, 20,	50WV	0.01 μF +80% -20%	23, 32, 37	50WV	0.1 μF ±20%
21, 23, 31~34			11	50WV	2.2 μF ±20%
7, 8, 14, 16, 19, 35	50WV	0.047μF +80% -20%	ELECTROLYTIC		
			5~7, 10, 14, 21, 36	16WV	1μF
			2, 16, 19, 20, 31	16WV	10μF
			8, 35, 40, 43	16WV	22μF
29	50WV	0.47 μF ±20%	38	16WV	47μF
PLASTIC FILM			4, 18, 41, 42, 49	16WV	100μF
ELECTROLYTIC			13, 44	16WV	220μF
30	16WV	10μF			
L-INDUCTOR					
1~4	RF CHOKE	250μH	MOD. & OSC UNIT		
T-TRANSFORMER & INDUCTOR			PRINTED CIRCUIT BOARD PB-1184(A~Z)		
108	IF TRANSFORMER		Q-FET & TRANSISTOR		
109	IF TRANSFORMER(DETECTOR)		2, 3, 5, 6	TR.	2SC372Y
XF-CRYSTAL FILTER			4	TR.	2SC828P
1	XF-30A SSB		1	FET. MK-10D	
2	XF-30C CW(OPTION)		D-DIODE		
			1~4	Ge.	1S1007
			R-RESISTOR		
AF UNIT			CARBON FILM		
PRINTED CIRCUIT BOARD PB-1189(A~Z)			18	¼W	100 Ω ±10%
Q-FET, IC & TRANSISTOR			1, 3	¼W	150 Ω ±10%
2, 3	TR.	2SC372Y	19,	¼W	180 Ω ±10%
6, 7	TR.	2SC373	2, 21, 31	¼W	470 Ω ±10%
5	FET	MK-10D	9~11, 14, 24, 28	¼W	1 KΩ ±10%
1	FET	MK-10F	20	¼W	1.5KΩ ±10%
8	IC	STK401	6, 8	¼W	2.2KΩ ±10%
4	IC	TA7042M	12, 15, 16, 22, 25, 26, 29	¼W	4.7KΩ ±10%
D-DIODE			32	¼W	10 KΩ ±10%
1~4	Si.	GP2-354	33	¼W	15 KΩ ±10%
5	Zener	WZ-090	13, 17, 23, 27	¼W	22 KΩ ±10%
R-RESISTOR			7	¼W	33 KΩ ±10%
			4	¼W	100 KΩ ±10%
CARBON FILM					
42	¼W	4.7Ω ±10%			
40	¼W	82 Ω ±10%			
13, 44, 45	¼W	100 Ω ±10%			
41	¼W	220 Ω ±10%	VR-VARIABLE RESISTOR		
12	¼W	330 Ω ±10%	1	TRIIR	500ΩB
16, 17, 33, 38, 39	¼W	470 Ω ±10%	2	TRIIR	5KΩB
27	¼W	680 Ω ±10%	C-CAPACITOR		
5, 8, 15	¼W	1 KΩ ±10%	DIPPED MICA		
21	¼W	1.5KΩ ±10%	20, 28, 30	500WV	30PF ±10%
20, 28, 34	¼W	2.2KΩ ±10%	19, 27, 32	500WV	40PF ±10%
6	¼W	3.3KΩ ±10%	38	500WV	50PF ±10%
1, 3, 14, 19, 29~31	¼W	4.7KΩ ±10%	5, 10, 37	500WV	100PF ±10%
4	¼W	5.6KΩ ±10%	3	500WV	130PF ±10%
9, 10, 35	¼W	10 KΩ ±10%	4	500WV	150PF ±10%
11, 18	¼W	15 KΩ ±10%	21	500WV	300PF ±10%
7	¼W	22 KΩ ±10%	23, 36	500WV	1000PF ±10%
43	¼W	27 KΩ ±10%	CERAMIC DISC		
32	¼W	33 KΩ ±10%	31	50WV	0.001μF +80% -20%
2, 36, 37	¼W	47 KΩ ±10%	2, 8, 9, 13, 17, 18, 24,	50WV	0.01 μF +80% -20%
22	¼W	470 KΩ ±10%	26, 29, 33		
			6, 11, 22, 25, 34	50WV	0.047μF +80% -20%
			PLASTIC FILM		
			12	50WV	0.22 μF ±20%
			ELECTROLYTIC		
CARBON COMPOSITION			15	16WV	100μF
23, 24	¼W	3.3MΩ ±10%			
25	¼W	5.6MΩ ±10%			
26	THERMISTOR SDT-250				
VR-VARIABLE RESISTOR			TC-TRIMMER CAPACITOR		
3, 4	TRIIR	10KΩB	CERAMIC		
1, 5	V160KRZ-1	10KΩB	2~4	ECV1ZW20P40	20PF
2	V160KRZ-1	2MΩB	5, 6	ECV1ZW50P32	50PF
C-CAPACITOR			1	ECV1ZW50P40	50PF
DIPPED MICA			L-INDUCTOR		
46	500WV	100PF ±10%	5	RF CHOKE	10μH
PLASTIC FILM			2~4, 6, 7	RF CHOKE	22μH
47	50WV	0.0047μF ±20%	8, 9	RF CHOKE	250μH

T-TRANSFORMER				D-DIODE			
110	IF TRANSFORMER			1	Varactor	1S145	
X-CRYSTAL				5	Ge	1S1007	
1	HC-6/U 3178.5KHz(USB)			2~4	Si	1S1555	
2	HC-6/U 3181.5KHz(LSB)			6	Zener	WZ090	
3	HC-6/U 3179.3KHz(CW/AM)			R-RESISTOR			
				CARBON FILM			
REG. & CALIB. UNIT				2	$\frac{1}{4}$ W	56 $\Omega \pm 10\%$	
PRINTED CIRCUIT BOARD PB-1185(A~Z)				3, 8, 19	$\frac{1}{4}$ W	100 $\Omega \pm 10\%$	
Q-TRANSISTOR				14	$\frac{1}{4}$ W	220 $\Omega \pm 10\%$	
6	TR.	2SC372Y		24, 27	$\frac{1}{4}$ W	330 $\Omega \pm 10\%$	
5	TR.	2SC697B, D, E		7	$\frac{1}{4}$ W	560 $\Omega \pm 10\%$	
1~4	TR.	2SC735Y		12, 17, 22	$\frac{1}{4}$ W	1 K $\Omega \pm 10\%$	
D-DIODE				23	$\frac{1}{4}$ W	1.5K $\Omega \pm 10\%$	
2, 5, 6	Zener	1S993		9, 10	$\frac{1}{4}$ W	2.2K $\Omega \pm 10\%$	
1	Si	GP2-354		16, 26, 28, 29	$\frac{1}{4}$ W	3.3K $\Omega \pm 10\%$	
3	Zener	WZ-090		5	$\frac{1}{4}$ W	4.7K $\Omega \pm 10\%$	
R-RESISTOR				6, 15, 18	$\frac{1}{4}$ W	22 K $\Omega \pm 10\%$	
CARBON FILM				25	$\frac{1}{4}$ W	47 K $\Omega \pm 10\%$	
3, 10	$\frac{1}{4}$ W	100 $\Omega \pm 10\%$		1, 4, 11, 13, 21	$\frac{1}{4}$ W	100 K $\Omega \pm 10\%$	
17, 19, 22	$\frac{1}{4}$ W	330 $\Omega \pm 10\%$		CARBON COMPOSITION			
18	$\frac{1}{4}$ W	1 K $\Omega \pm 10\%$		20	$\frac{1}{4}$ W	1 M $\Omega \pm 10\%$	
12	$\frac{1}{4}$ W	1.5K $\Omega \pm 10\%$					
20	$\frac{1}{4}$ W	2.2K $\Omega \pm 10\%$					
4, 7, 11	$\frac{1}{4}$ W	4.7K $\Omega \pm 10\%$					
1, 8, 13, 15, 24	$\frac{1}{4}$ W	10 K $\Omega \pm 10\%$					
5	$\frac{1}{4}$ W	27 K $\Omega \pm 10\%$		VR-VARIABLE RESISTOR			
6	$\frac{1}{4}$ W	33 K $\Omega \pm 10\%$		1	SR19R	2.2K Ω B	
14	$\frac{1}{4}$ W	47 K $\Omega \pm 10\%$		C-CAPACITOR			
2, 9	$\frac{1}{4}$ W	100 K $\Omega \pm 10\%$		DIPPED MICA			
CARBON COMPOSITION				6	500WV	3PF ± 0.5 5PF	
16	1W	4.7K $\Omega \pm 10\%$		8	500WV	10PF $\pm 10\%$	
				5	500WV	20PF $\pm 10\%$	
				14, 24, 25	500WV	30PF $\pm 10\%$	
				17	500WV	50PF $\pm 10\%$	
				3	500WV	60PF $\pm 10\%$	
				16, 27, 28	500WV	100PF $\pm 10\%$	
				7, 9, 13, 22	500WV	150PF $\pm 10\%$	
VR-VARIABLE RESISTOR				CERAMIC DISC			
4	TRI1R	500 Ω B		18	50WV	0.001 μ F $\begin{matrix} +80\% \\ -20\% \end{matrix}$	
3	TRI1R	1K Ω B		1, 2, 4, 10, 15, 20, 21, 23,	50WV	0.01 μ F $\begin{matrix} +80\% \\ -20\% \end{matrix}$	
1	TRI1R	10K Ω B		26, 29, 31			
2	V160KRZ-1	10K Ω B		11, 19, 33	50WV	0.047 μ F $\begin{matrix} +80\% \\ -20\% \end{matrix}$	
C-CAPACITOR				ELECTROLYTIC			
DIPPED MICA				12, 30	16WV	1 μ F	
5, 6, 21	500WV	30PF $\pm 10\%$		32	16WV	10 μ F	
9	500WV	40PF $\pm 10\%$					
20	500WV	50PF $\pm 10\%$					
2	500WV	100PF $\pm 10\%$					
1	500WV	250PF $\pm 10\%$					
7, 8	500WV	1000PF $\pm 10\%$					
3	500WV	2000PF $\pm 10\%$					
CERAMIC DISC				TC-TRIMMER CAPACITOR			
4, 19	50WV	0.01 μ F $\begin{matrix} +80\% \\ -20\% \end{matrix}$		1, 2	ECV1ZW20P32	20PF	
ELECTROLYTIC				L-INDUCTOR			
14~16	16WV	1000 μ F		1	FIX OUTPUT COIL		
17, 18	25WV	470 μ F		2, 4, 7	RF CHOKE 250 μ H		
12, 13	160WV	22 μ F		3, 5, 6, 8	RF CHOKE 1mH		
10, 11	250WV	22 μ F		T-TRANSFORMER			
				116	IF TRANSFORMER		
				117	IF TRANSFORMER		
				118	IF TRANSFORMER		
				119	IF TRANSFORMER		
TC-TRIMMER CAPACITOR				VFO UNIT			
1	CERAMIC	ECV1ZW50P32 50PF		PRINTED CIRCUIT BOARD PB-1056(A~Z)			
L-INDUCTOR				Q-FET & TRANSISTOR			
1, 2	RF CHOKE	4mH		3	TR.	2SC372Y	
X-CRYSTAL				1, 2	FET	3SK22GR	
1	HC-13/U	100KHz					
NB & FIX UNIT							
PRINTED CIRCUIT BOARD PB-1182(A~Z)							
Q-FET & TRANSISTOR							
2, 7	TR.	2SC372Y					
5	TR.	2SC784R					
3, 4	FET	2SK19GR		4, 7	$\frac{1}{4}$ W	100 $\Omega \pm 10\%$	
6	FET	2SK34E		10	$\frac{1}{4}$ W	270 $\Omega \pm 10\%$	
1	FET	MK-10E		3, 6	$\frac{1}{4}$ W	330 $\Omega \pm 10\%$	
				8	$\frac{1}{4}$ W	8.2K $\Omega \pm 10\%$	

1	$\frac{1}{4}$ W	10	$K\Omega \pm 10\%$	1~3, 8, 11~13	Si.	GP2-354
9	$\frac{1}{4}$ W	22	$K\Omega \pm 10\%$	9	Zener	WZ-090
2, 5	$\frac{1}{4}$ W	100	$K\Omega \pm 10\%$	R-RESISTOR		
CARBON COMPOSITION				CARBON FILM		
11(L5)	$\frac{1}{2}$ W	1	$K\Omega \pm 10\%$	48	$\frac{1}{4}$ W	220 $\Omega \pm 10\%$
				22	$\frac{1}{4}$ W	330 $\Omega \pm 10\%$
				18	$\frac{1}{4}$ W	470 $\Omega \pm 10\%$
				26, 62	$\frac{1}{4}$ W	560 $\Omega \pm 10\%$
				35	$\frac{1}{4}$ W	680 $\Omega \pm 10\%$
C-CAPACITOR				64	$\frac{1}{4}$ W	1K $\Omega \pm 10\%$
DIPPED MICA				50	$\frac{1}{4}$ W	1.5K $\Omega \pm 10\%$
16	500WV	20PF	$\pm 10\%$	61, 63	$\frac{1}{4}$ W	4.7K $\Omega \pm 10\%$
8, 10	500WV	100PF	$\pm 10\%$	23, 24, 33, 34	$\frac{1}{4}$ W	5.6K $\Omega \pm 10\%$
1, 2	500WV	650PF	$\pm 10\%$	25, 59	$\frac{1}{4}$ W	10 $K\Omega \pm 10\%$
11	500WV	1000PF	$\pm 10\%$	60	$\frac{1}{4}$ W	33K $\Omega \pm 10\%$
11	500WV	2000PF	$\pm 10\%$	CARBON COMPOSITION		
CERAMIC DISC				54	$\frac{1}{2}$ W	10 $\Omega \pm 10\%$
6, 7, 9, 12, 15	50WV	0.01 μ F	$\begin{matrix} +80\% \\ -20\% \end{matrix}$	4, 9, 17, 39	$\frac{1}{2}$ W	56 $\Omega \pm 10\%$
3, 5, 13	500WV	0.01 μ F	$\begin{matrix} +100\% \\ 0 \end{matrix}$	14, 51, 53, 55	$\frac{1}{2}$ W	100 $\Omega \pm 10\%$
CERAMIC TC				16	$\frac{1}{2}$ W	470 $\Omega \pm 10\%$
14	NP0	6PF	$\pm 0.5PF$	56	$\frac{1}{2}$ W	100K $\Omega \pm 10\%$
4	NP0	10PF	$\pm 10\%$	7, 38	$\frac{1}{2}$ W	1 $K\Omega \pm 10\%$
19	NP0	82PF	$\pm 10\%$	6	$\frac{1}{2}$ W	2.2K $\Omega \pm 10\%$
20	N750	2PF	$\pm 0.5PF$	2	$\frac{1}{2}$ W	3.3K $\Omega \pm 10\%$
18	N750	7PF	$\pm 0.5PF$	44	$\frac{1}{2}$ W	4.7K $\Omega \pm 10\%$
17	N750	20PF	$\pm 10\%$	19, 20	$\frac{1}{2}$ W	5.6K $\Omega \pm 10\%$
				8	$\frac{1}{2}$ W	10 $K\Omega \pm 10\%$
				36	$\frac{1}{2}$ W	33 $K\Omega \pm 10\%$
				3	$\frac{1}{2}$ W	47 $K\Omega \pm 10\%$
				28, 29	$\frac{1}{2}$ W	470 $K\Omega \pm 10\%$
VC-VARIABLE CAPACITOR				13	$\frac{1}{2}$ W	1 M $\Omega \pm 10\%$
1	AIR	B521C		10, 11	1 W	56 $\Omega \pm 10\%$
TC-TRIMMER CAPACITOR				30	1 W	47 $K\Omega \pm 10\%$
1	AIR	TSN150C30PF		METALIC FILM		
2	AIR	TSN170C10PF $\times 2$		5	3 W	5.1K $\Omega \pm 10\%$
L-INDUCTOR				40	5 W	1.5K $\Omega \pm 10\%$
1	OSCILLATOR COIL			37	5 W	18 $K\Omega \pm 10\%$
2~4, 6	RF CHOKE	250 μ H		WIRE WOUND		
5(R11)	RF CHOKE			METER SHUNT		
RECTIFIER UNIT				VR-VARIABLE RESISTOR		
PRINTED CIRCUIT BOARD PB-1076(A~Z)				3	EVCBOGS20B13	1K Ω B
D-DIODE				6	EVHBOAS15B13	1K Ω B
5, 6	Si.	1S1942		1	EVK48AF02314	5K Ω A/1K Ω B
1~4, 9~12	Si.	10D10		2	EVKA0AF02339	5K Ω A/5K Ω B
7, 8	Si.	V06B		4	TR-11R	1K Ω B
R-RESISTOR				C-CAPACITOR		
CARBON FILM				123	500WV	2PF $\pm 0.5PF$
6~13	$\frac{1}{4}$ W	470	$K\Omega \pm 10\%$	134	500WV	3PF $\pm 0.5PF$
CARBON COMPOSITION				28, 126	500WV	5PF $\pm 0.5PF$
2	$\frac{1}{2}$ W	1	$K\Omega \pm 10\%$	1, 16, 98, 107	500WV	10PF $\pm 10\%$
4, 5	1 W	3.3 $\Omega \pm 10\%$		44, 106	500WV	20PF $\pm 10\%$
1	2 W	5.6 $\Omega \pm 10\%$		97, 122	500WV	30PF $\pm 10\%$
METALIC FILM				5, 10, 42, 47	500WV	50PF $\pm 10\%$
3	5W	220 $\Omega \pm 10\%$		135	500WV	60PF $\pm 10\%$
				6, 43	500WV	70PF $\pm 10\%$
				104	500WV	80PF $\pm 10\%$
				48, 53, 55, 92, 99	500WV	100PF $\pm 10\%$
C-CAPACITOR				46, 111	500WV	150PF $\pm 10\%$
CERAMIC DISC				29	500WV	200PF $\pm 10\%$
6	50WV	0.047 μ F	$\begin{matrix} +80\% \\ -20\% \end{matrix}$	127	500WV	250PF $\pm 10\%$
4	500WV	0.01 μ F	$\begin{matrix} +100\% \\ 0 \end{matrix}$	9	500WV	270PF $\pm 10\%$
1, 2, 5	1.4KV	0.0047 μ F	$\begin{matrix} +100\% \\ 0 \end{matrix}$	45, 105	500WV	300PF $\pm 10\%$
ELECTROLYTIC				4, 41	500WV	330PF $\pm 10\%$
3	25WV	470 μ F		108	500WV	400PF $\pm 10\%$
MAIN CHASSIS				2, 26, 136	500WV	470PF $\pm 10\%$
V-VACUUM TUBE				7, 27, 34, 35, 37, 120, 121,	500WV	1000PF $\pm 10\%$
1	12BY7A			128~131		
2, 3	6JS6C			17	500WV	2200PF $\pm 10\%$
Q-TRANSISTOR				133	500WV	3000PF $\pm 10\%$
1, 2	TR.	2SB212		MOULDED MICA		
3	TR.	2SC372Y		13, 125	1KWV	100PF $\pm 10\%$
D-DIODE				11	1KWV	200PF $\pm 10\%$
4, 7	Ge.	1S1007		23	1.5KWV	1000PF $\pm 10\%$
				CERAMIC DISC		

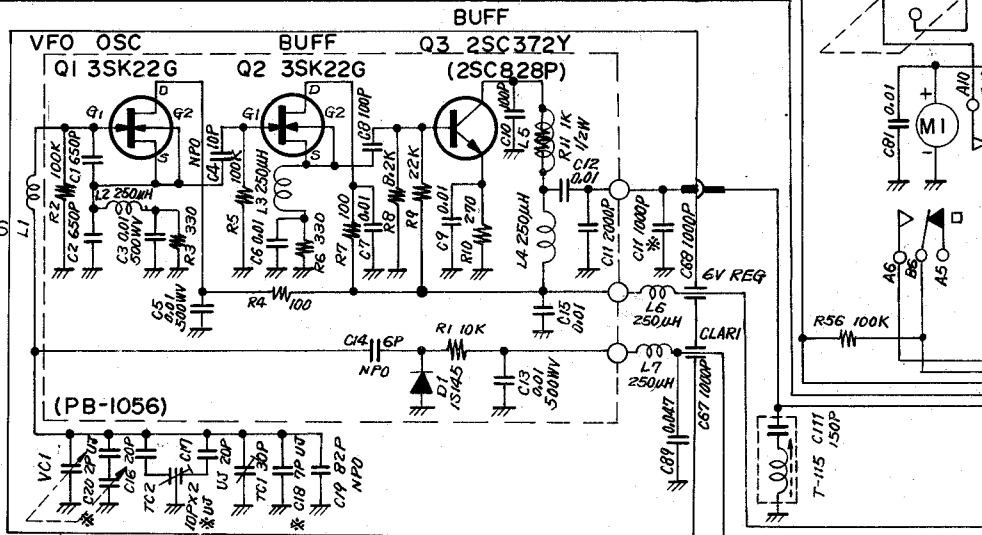
51, 62, 65, 81~83, 86, 87, 90, 118, 141	50WV 0.01 μ F	$\pm 80\%$ $\pm 20\%$	T-TRANSFORMER & CHOKE COIL		
33, 38, 50, 52, 59~61, 66, 69~73, 85, 89, 91, 94, 95, 100, 103	50WV 0.047 μ F	$\pm 80\%$ $\pm 20\%$	11	POWER TRANSFORMER	
			12	AF CHOKE 20mH 0.5A	
			14	AF CHOKE 1H 20mA	
8, 14, 15, 20, 22	500WV 0.0047 μ F	$\pm 100\%$ $\pm 0\%$	F-FUSE		
3, 19, 21, 101, 102	500WV 0.01 μ F	$\pm 100\%$ $\pm 0\%$	1	AC 5A(100~117V)3A(200~234V)	
74	1.4KV 0.001 μ F	$\pm 100\%$ $\pm 0\%$	2	DC 20A	
24	1.4KV 0.0047 μ F	$\pm 100\%$ $\pm 0\%$	FH-FUSE HOLDER		
36, 75	1.4KV 0.01 μ F	$\pm 100\%$ $\pm 0\%$	1	AC S-N1001	
25	3KV 150PF $\pm 10\%$		2	DC S-N1102	
132	(RDA30) 3KV 600PF $\pm 10\%$		RL-RELAY		
	CERAMIC FEED THRU		1	AE3171-42	
30~32, 39, 40, 67, 68, 84, 110	500WV 0.001 μ F	$\pm 100\%$ $\pm 0\%$	2	MX2P	
	PLASTIC FILM		S-SWITCH		
140	50WV 0.047 μ F $\pm 20\%$		1	ROTARY RS13-13-11(BAND)	
18	50WV 0.22 μ F $\pm 20\%$		2	ROTARY ESRE365R20Z(MODE)	
49	50WV 0.47 μ F $\pm 20\%$		4	ROTARY ESRE246R20Z(SELECT)	
76	160WV 2.2 μ F $\pm 20\%$		6	SEASAW WD3001 (POWER)	
	METALIZED PAPER		5	SEASAW WD3201 (HEATER)	
	ELECTROLYTIC		3, 10	SLIDE SS-F22-08	
142	16WV 1 μ F		7~9	SLIDE SS-H23-08	
54, 137	16WV 10 μ F		X-CRYSTAL		
143	16WV 100 μ F		1	80M	HC-25/U 9.52MHz
63	16WV 220 μ F		2	40M	HC-25/U 13.02MHz
124	25WV 1000 μ F		3	20M	HC-25/U 20.02MHz
109	450WV 2.2 μ F		4	15M	HC-25/U 27.02MHz
77, 78	500WV 100 μ F		5	11M	HC-25/U 33.02MHz
	VC-VARIABLE CAPACITOR		6	10M-A	HC-25/U 34.02MHz
1	(PLATE) AIR RT18B300VC 300PF		7	10M-B	HC-25/U 34.52MHz
2	(LOADING) AIR B1240DS		8	10M-C	HC-25/U 35.02MHz
	TC-TRIMMER CAPACITOR		9	10M-D	HC-25/U 35.52MHz
	CERAMIC		10	JJY/WWV	HC-25/U 16.02MHz
5	ECVIZW10P32 10PF		11	160M	HC-25/U 7.52MHz
1~4, 11~25	ECVIZW50P32 50PF		MJ-MULTI JACK		
8, 9	MICA B-1PY 40PF		1, 2, 6	S-I4701	18 P
6, 7, 31	B-2PY 100PF		3, 4	X-I8007	22P
10, 26, 28, 29	B-7P 420PF		5	S-I4703	14P
27	AIR TSN-150C 10PF		PL-LAMP		
30	PLASTIC FILM CTY12B 10PF		1, 2, 4	15V 0.15A	
	L-INDUCTOR		3	14V 40mA	
12, 13, 16~18, 20, RF CHOKE	250 μ H		PLH-LAMP HOLDER		
21, 26, 27, 31, 35	250 μ H		1, 2	#001011	
11, 14, 15, 36	RF CHOKE(TV-2 4 5) 250 μ H		3	B-1	
9	RF CHOKE 300 μ H		VS-TUBE SOCKET		
7	RF CHOKE(PLATE) 500 μ H		1	TS103C01	
2, 3	RF CHOKE 1mH		2, 3	S-B0703	
24	P.S. $\frac{1}{2}$ W56 Ω 0.3 ϕ 10TS		J-RECEPTACLE & JACK		
1, 4	P.S. $\frac{1}{2}$ W56 Ω 0.6 ϕ 4TS		1, 4, 5, 7, 8, 11, 16	CN-7017	
5, 6	P.S. 1 W56 Ω 1.0 ϕ 4TS		2	S-G7616 (KEY)	
8	TANK COIL		10	S-G7814 (PHONE)	
22	TRAP COIL		3	FM-144 (MIC)	
28	TRAP COIL		6	JSO-239 (ANT)	
29	TRAP COIL		9	450AB12M(POWER)	
32	TRAP COIL		12	P2240 (SP)	
33	TUNING COIL		13	S-B0611 (EXT. VFO)	
25	L.P.FILTER COIL		14	SA602B(ACC)	
	T-TRANSFORMER & INDUCTOR		15	S-I6303 (FAN)	
101A	ANT COIL A		M-METER		
102	GRID COIL A		1	MK-45	
103	DRIVER COIL A				
104	ANT COIL B				
105	DRIVER COIL B				
106	GRID COIL B				
107	5MHz TRAP COIL				
111	6.36MHz TRAP COIL				
115	3.18MHz TRAP COIL				

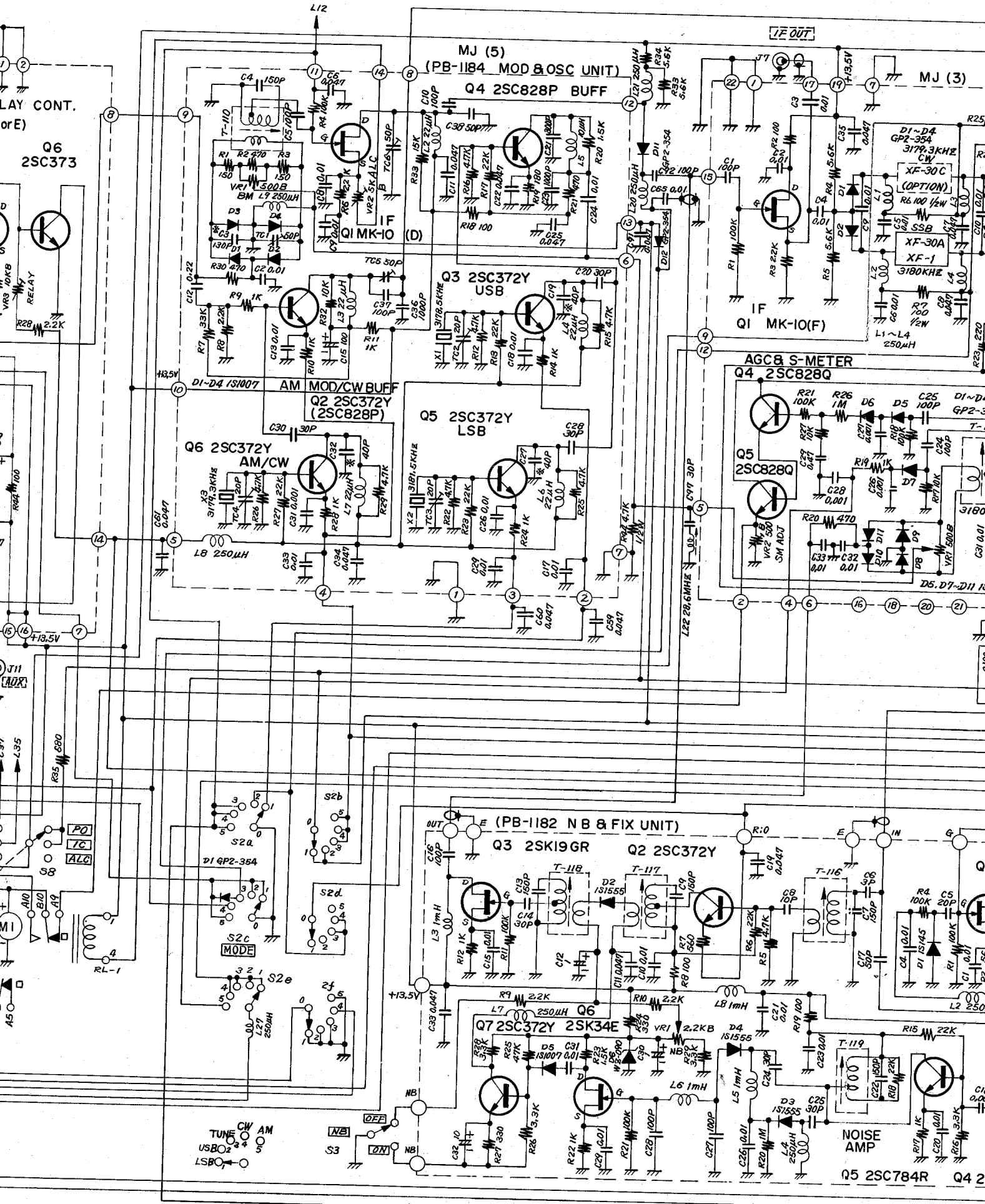


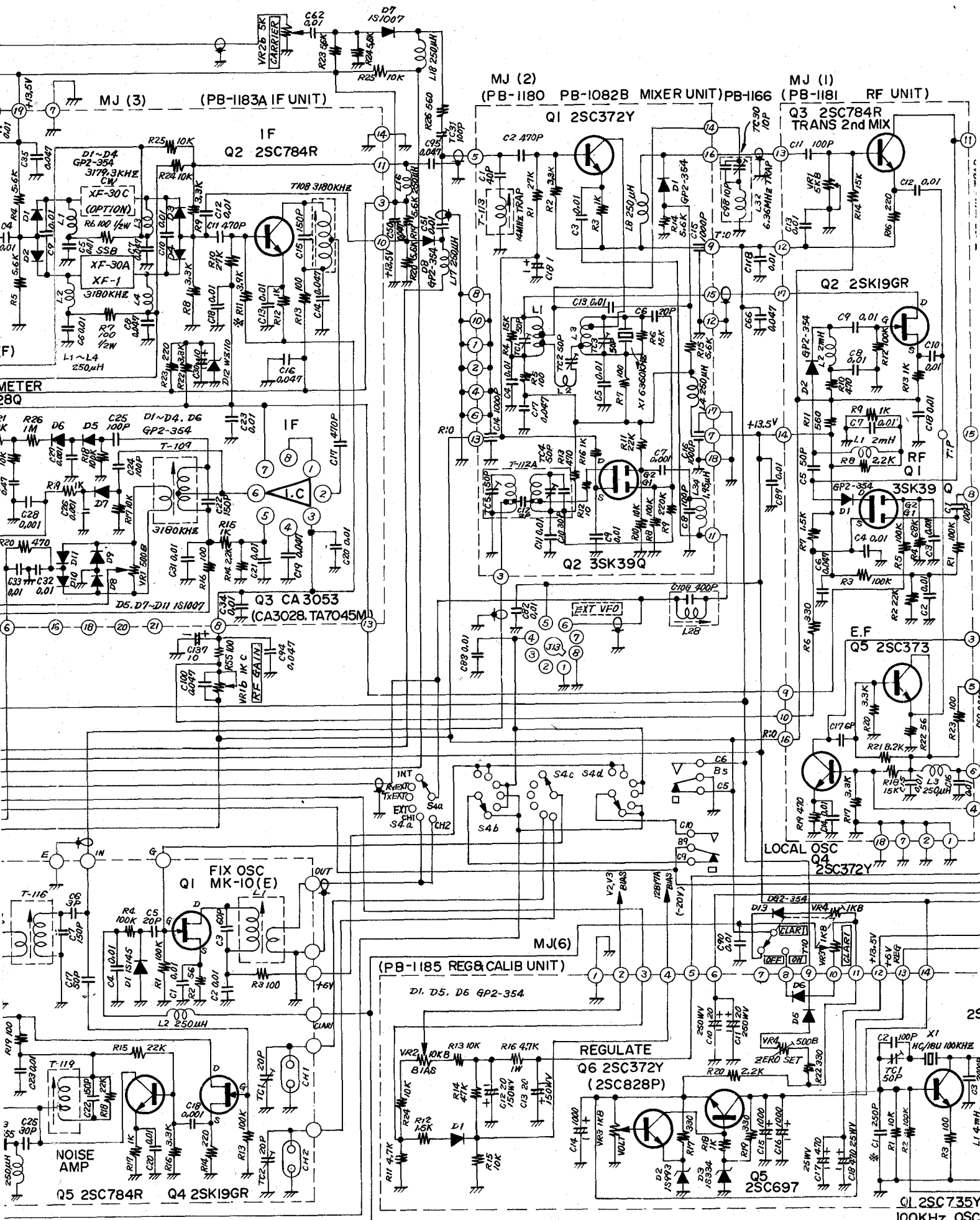
NOTES

1. ALL RESISTORS ARE IN $\frac{1}{4}$ W UNLESS OTHERWISE NOTED.
2. ALL CAPACITORS ARE IN μ F UNLESS OTHERWISE NOTED.
3. ALL ELECTROLYTIC CAPACITORS ARE 16WV UNLESS OTHERWISE NOTED.
4. * VALUE IS NOMINAL.

128001



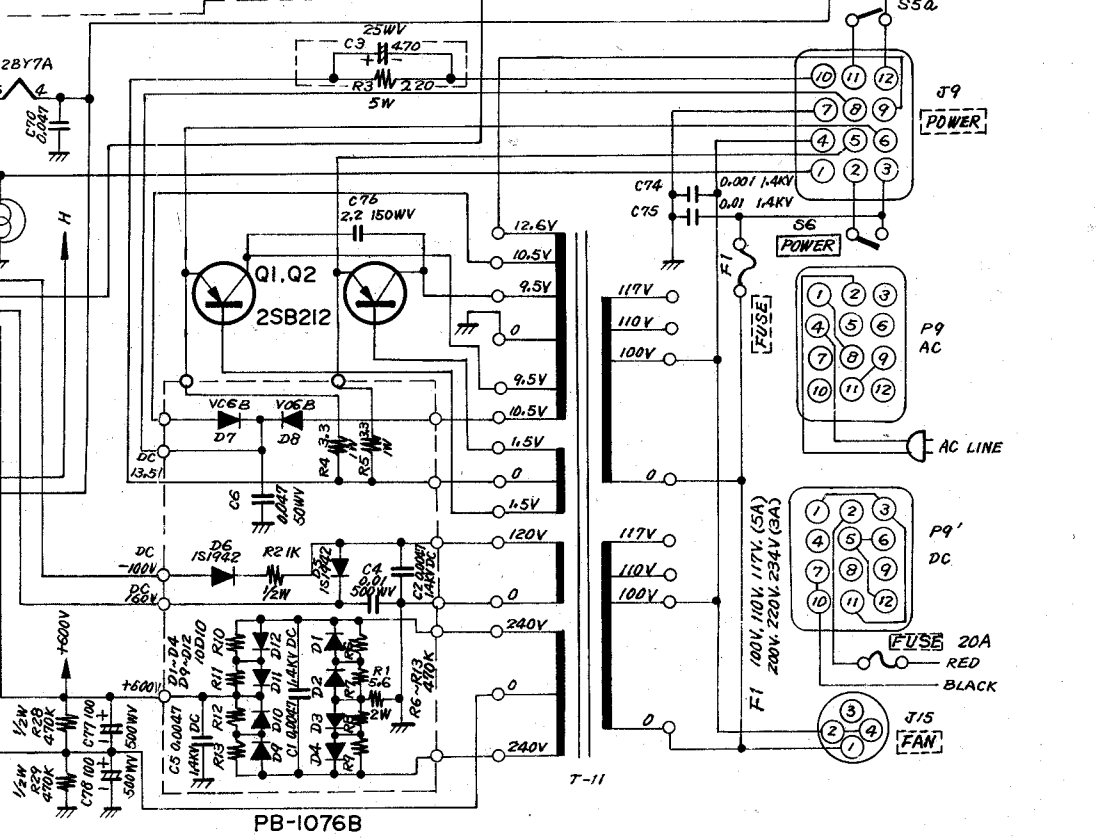
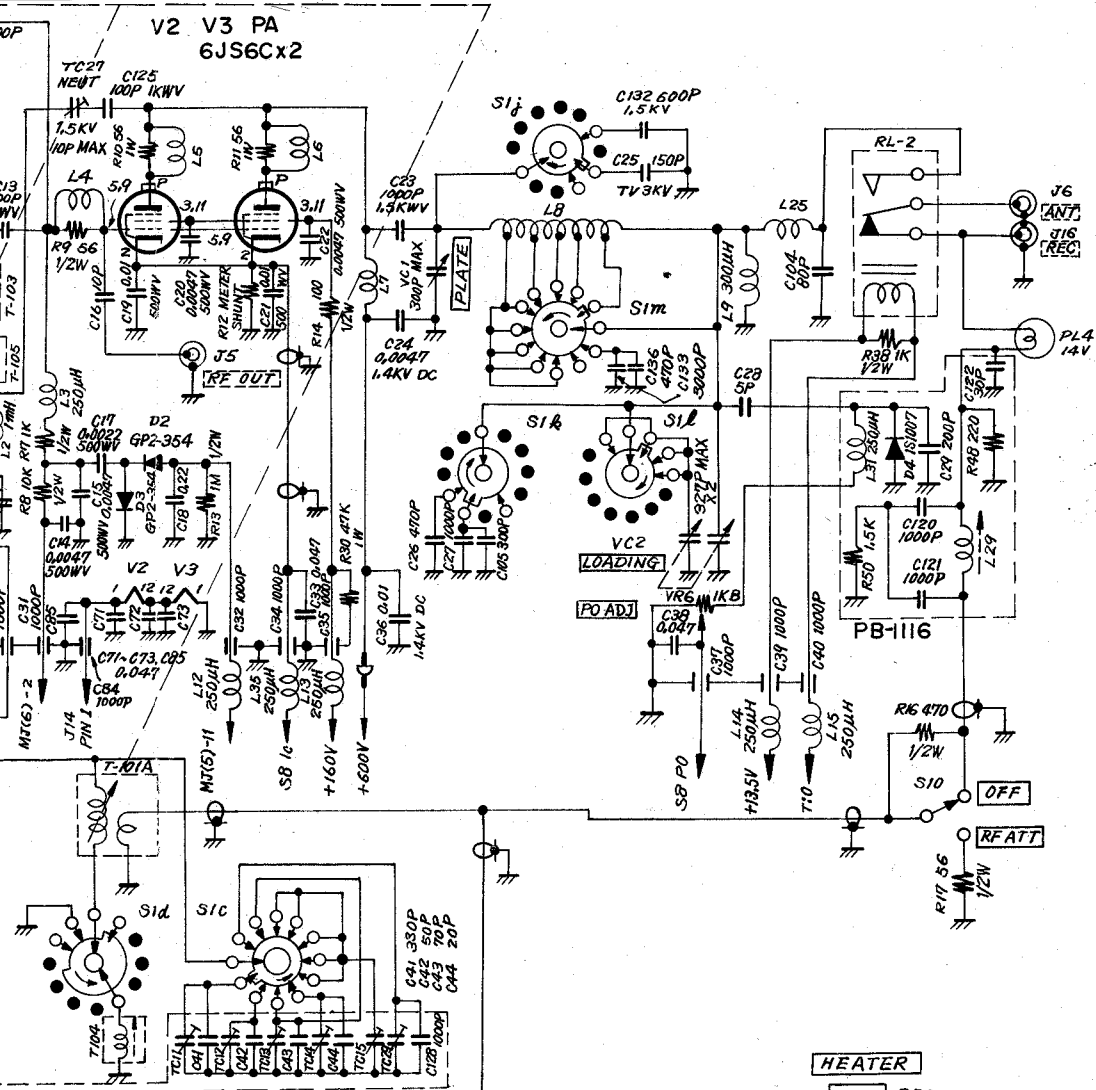




Q1 2SC735Y
100KHz OSC

SELECT

V2 V3 PA
6JS6Cx2



PB-1076B

T-11

