

RESISTOR VALUES ARE IN Ω, 1/10W;
 CAPACITOR VALUES ARE IN μF, 50V;
 UNLESS OTHERWISE NOTED.
 ITT CAPACITORS ARE TANTALUM.

JUMPER 0: OPEN 1: SHORT
 FT-211

	B	C	D	E
1	1	1	1	1
2	0	0	0	0
3	0	0	0	0
4	1	1	0	0
5	0	0	0	0
6	0	0	0	0
7	1	0	1	0
8	1	0	1	1
9	1	1	1	1
10	1	1	1	1
11	1	1	1	1
12	0	0	0	0
13	0	0	0	0
14	0	0	0	0
15	0	0	0	0
16	1	1	1	1
17	1	1	1	1
18	0	0	0	0

G03 1/2 μPD4066BG

G02 1/2 μPD4001BG

G02 1/2 μPD4001BG

G01 HD613901A78

Q16 25C1623

Q12 25C1623X2

Q07 2SA1162

Q06 25C1623

Q05 FA1A4M

Q03 1/2 μPD4066BG

Q08 25C1623

LCD

S02 SRBM1066

J1 UP 5V DOWN SP PTT(B) PTT GND MIC

J03 GND SP TX BURST A/D D/A TX GND

J04 TONE STB PLL STB DATA CLK TONE C HVL SCAN

J02 BEEP GND MIC

J05 GND 5V

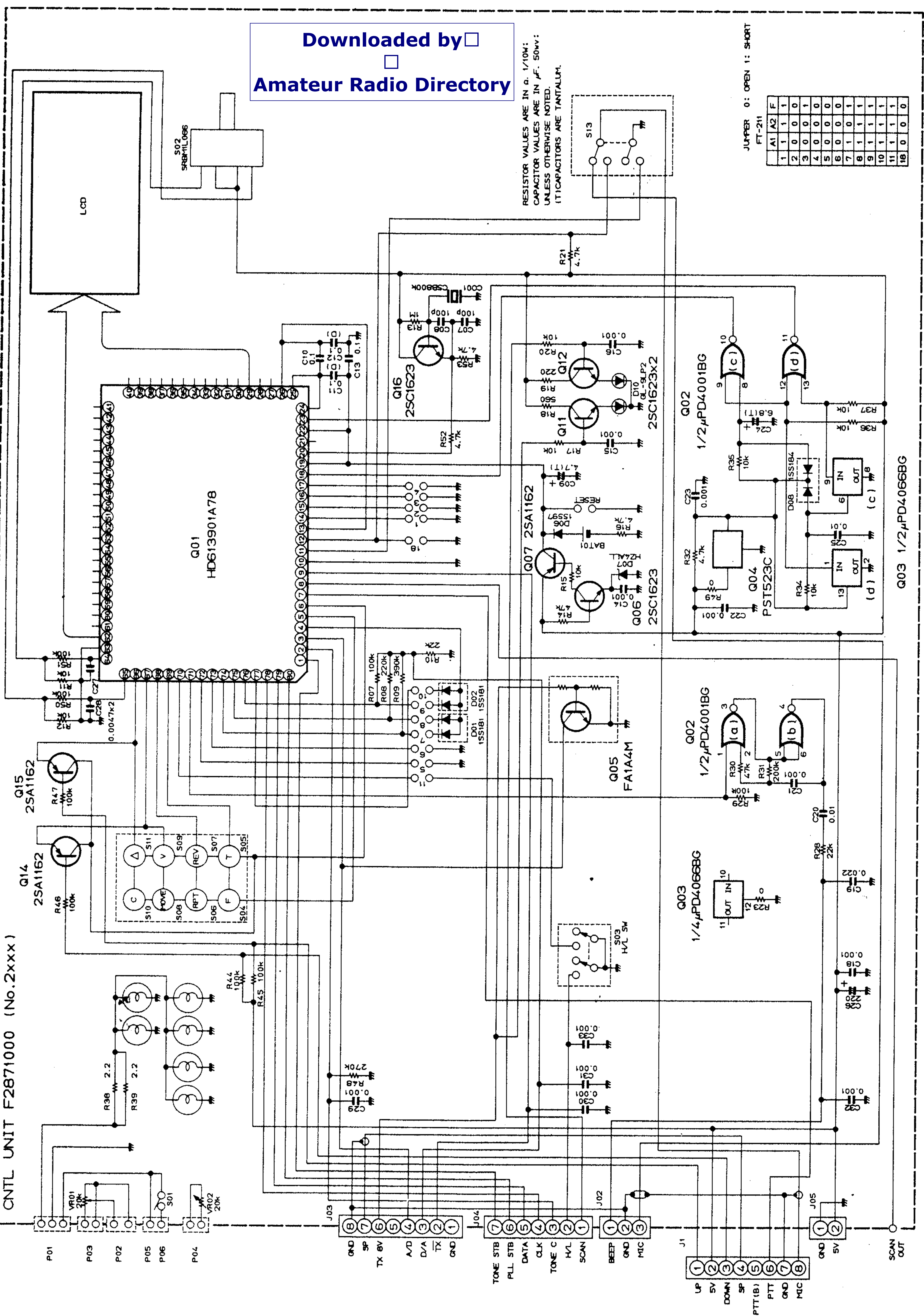
SCAN OUT

RESISTOR VALUES ARE IN Ω , 1/10W;
CAPACITOR VALUES ARE IN μ F, 50V;
UNLESS OTHERWISE NOTED.
(T) CAPACITORS ARE TANTALUM.

JUMPER 0: OPEN 1: SHORT

FT-211	
A1	A2
1	1
2	0
3	0
4	0
5	0
6	0
7	1
8	1
9	1
10	1
11	1
12	0
13	0
14	0
15	0

CNTL UNIT F2871000 (No.2xxxx)



Q03 1/2 μ PD4001BG

Q02 1/2 μ PD4001BG

Q02 1/2 μ PD4001BG

Q06 2SC1623

Q05 FA1A4M

Q07 2SA1162

Q11 2SC1623

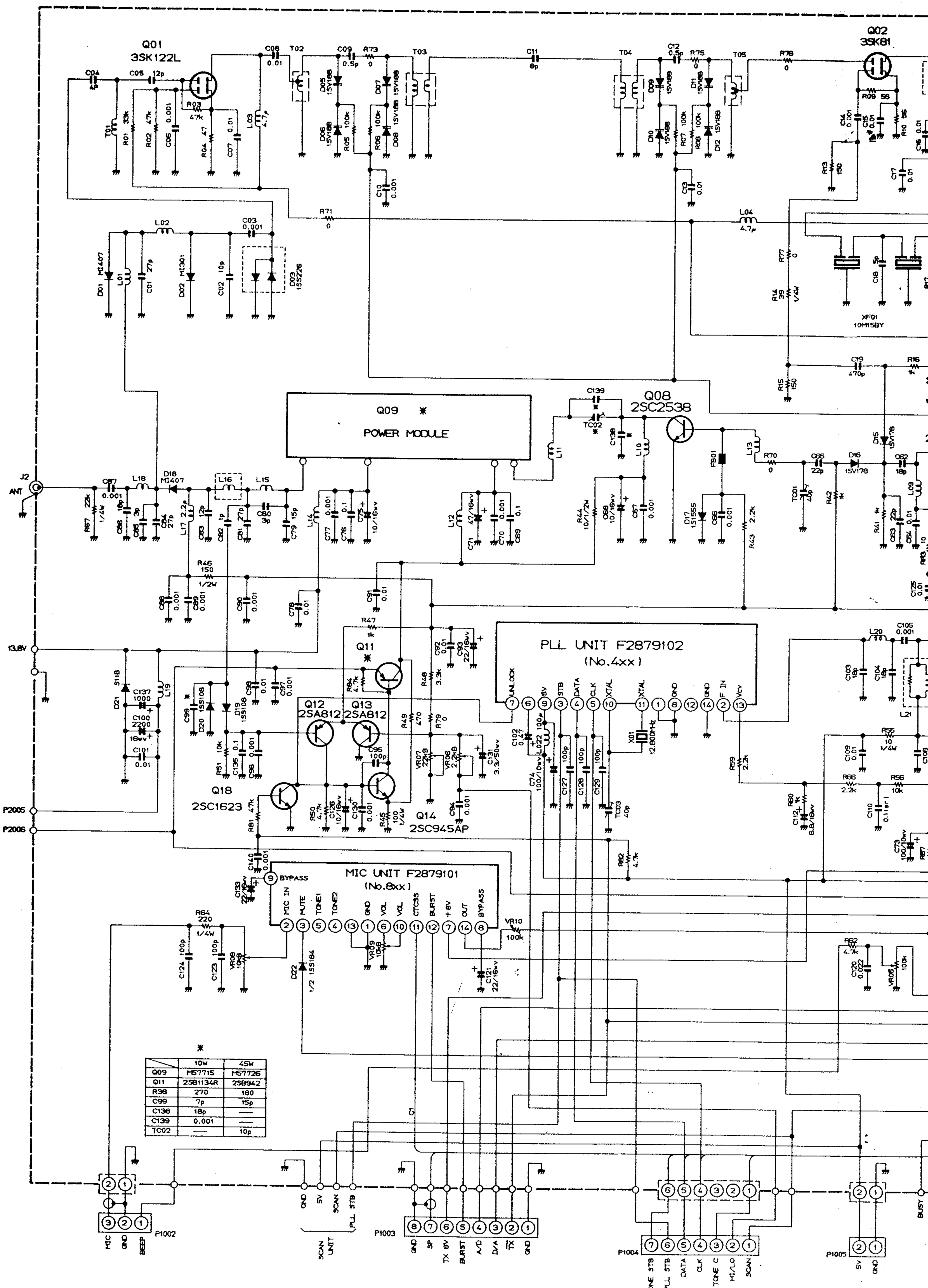
Q12 2SC1623

Q16 2SC1623

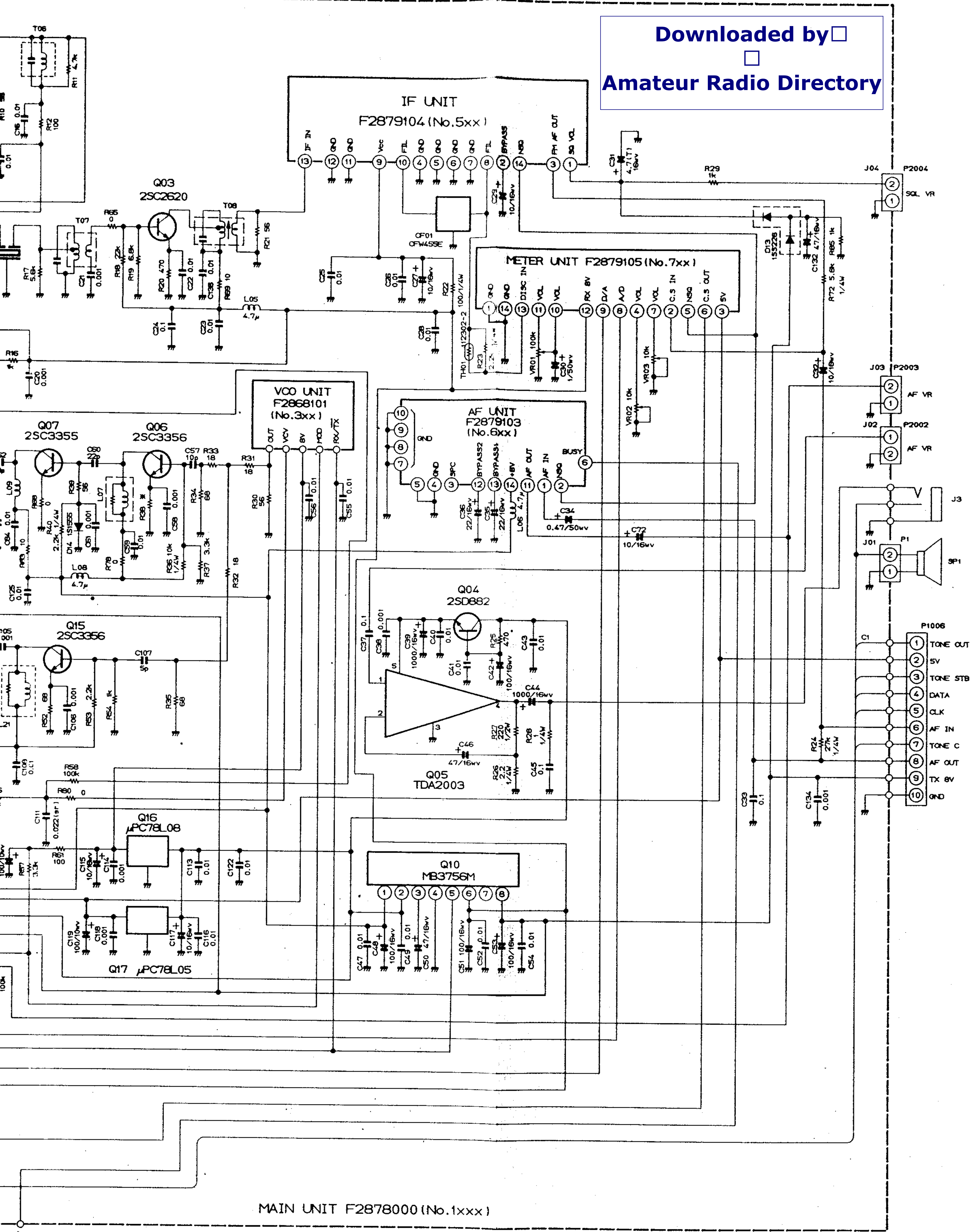
Q15 2SA1162

Q14 2SA1162

Q01 HD613901A78



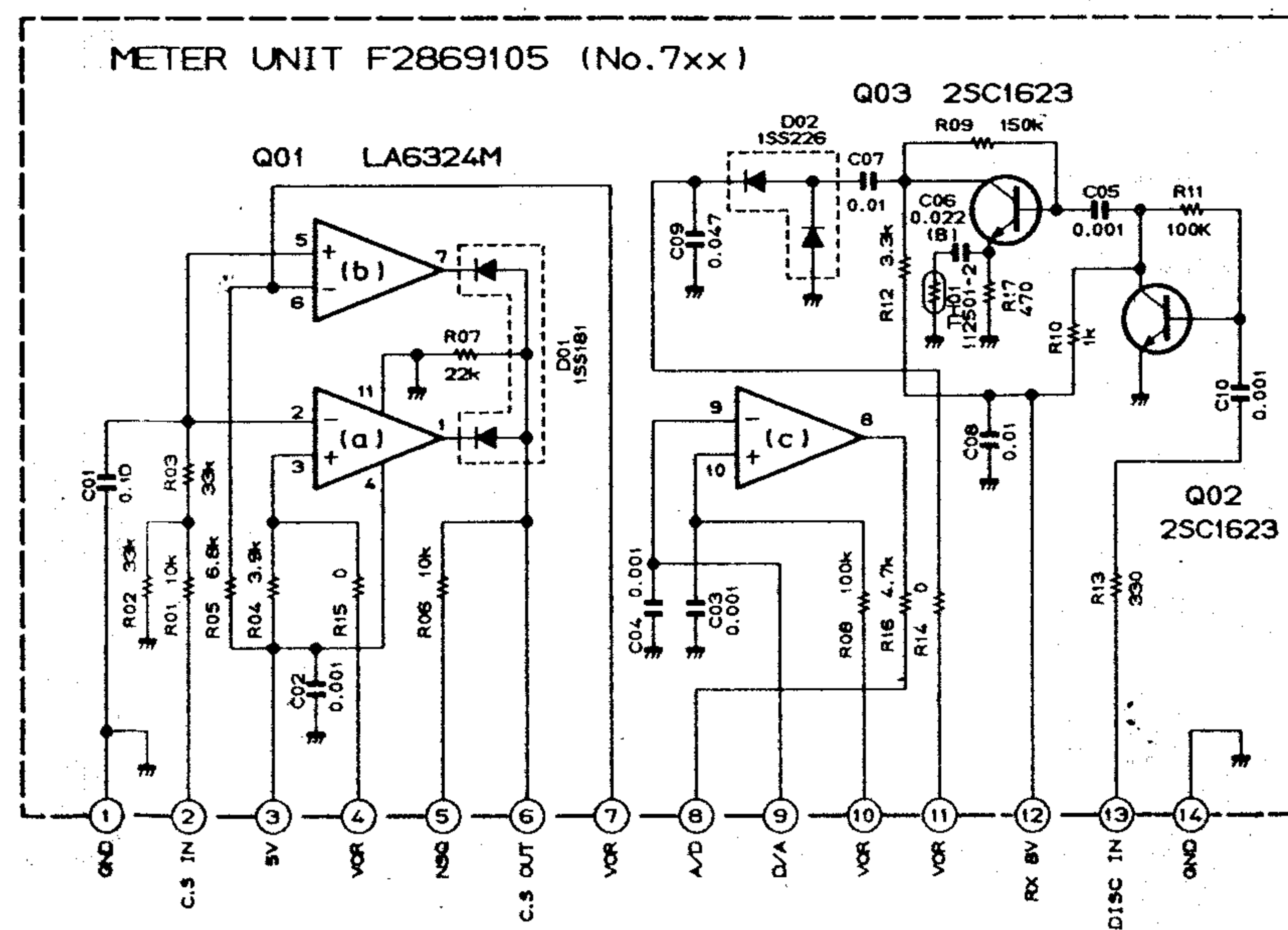
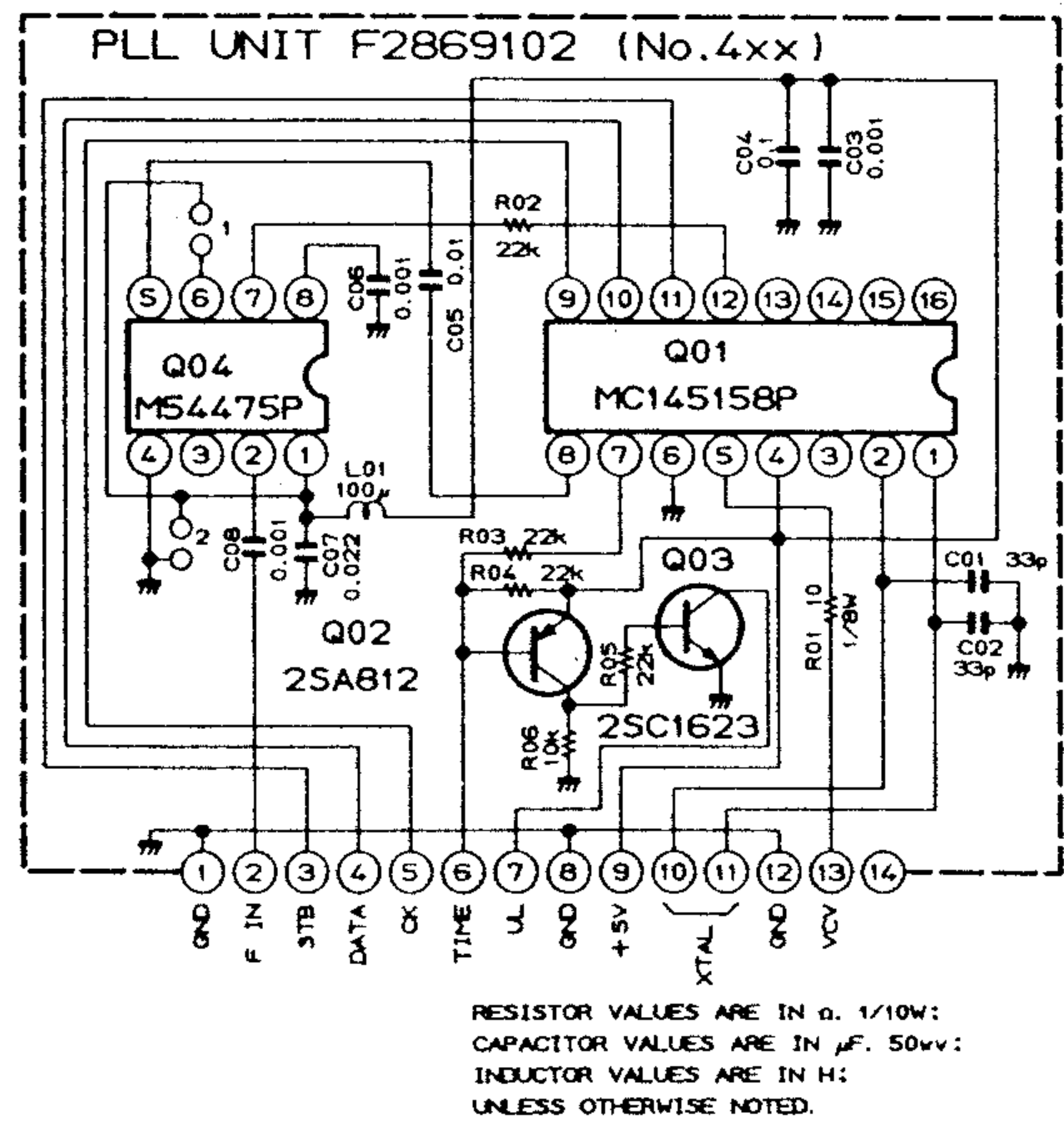
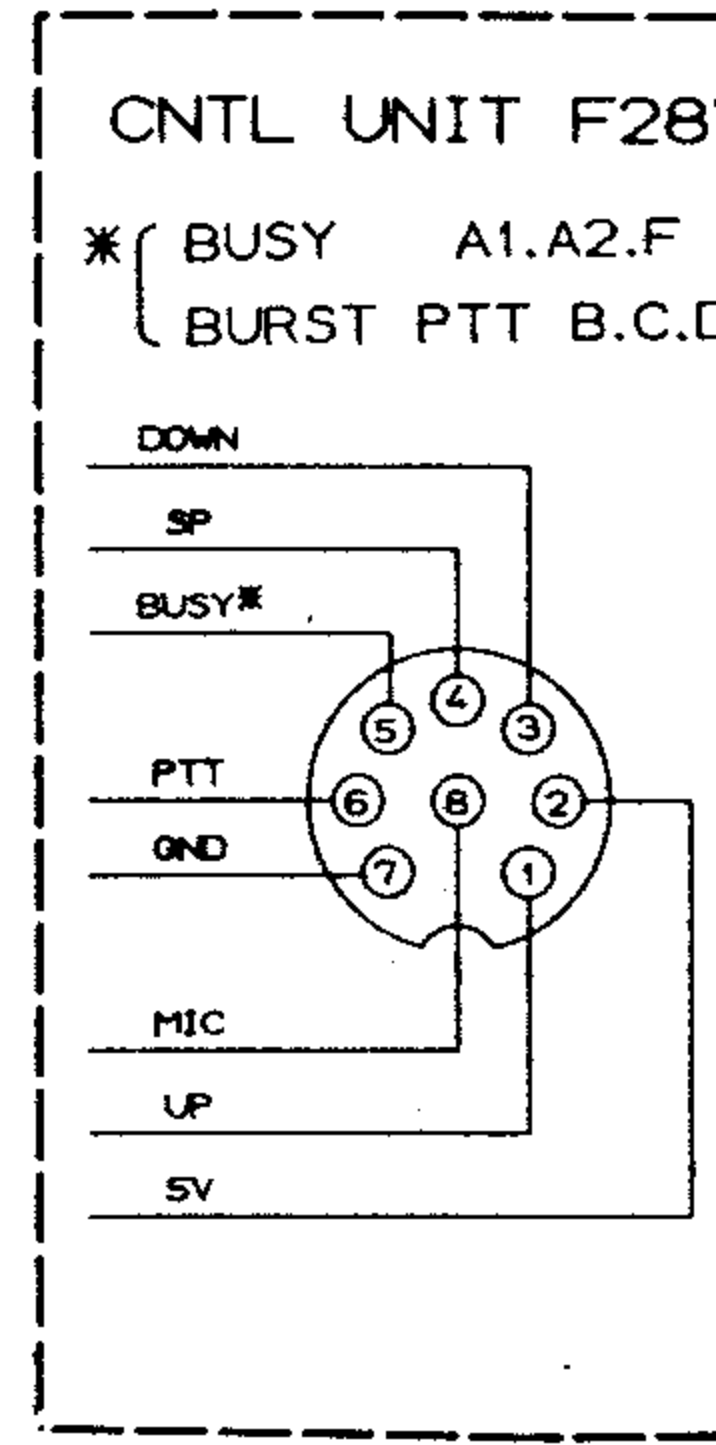
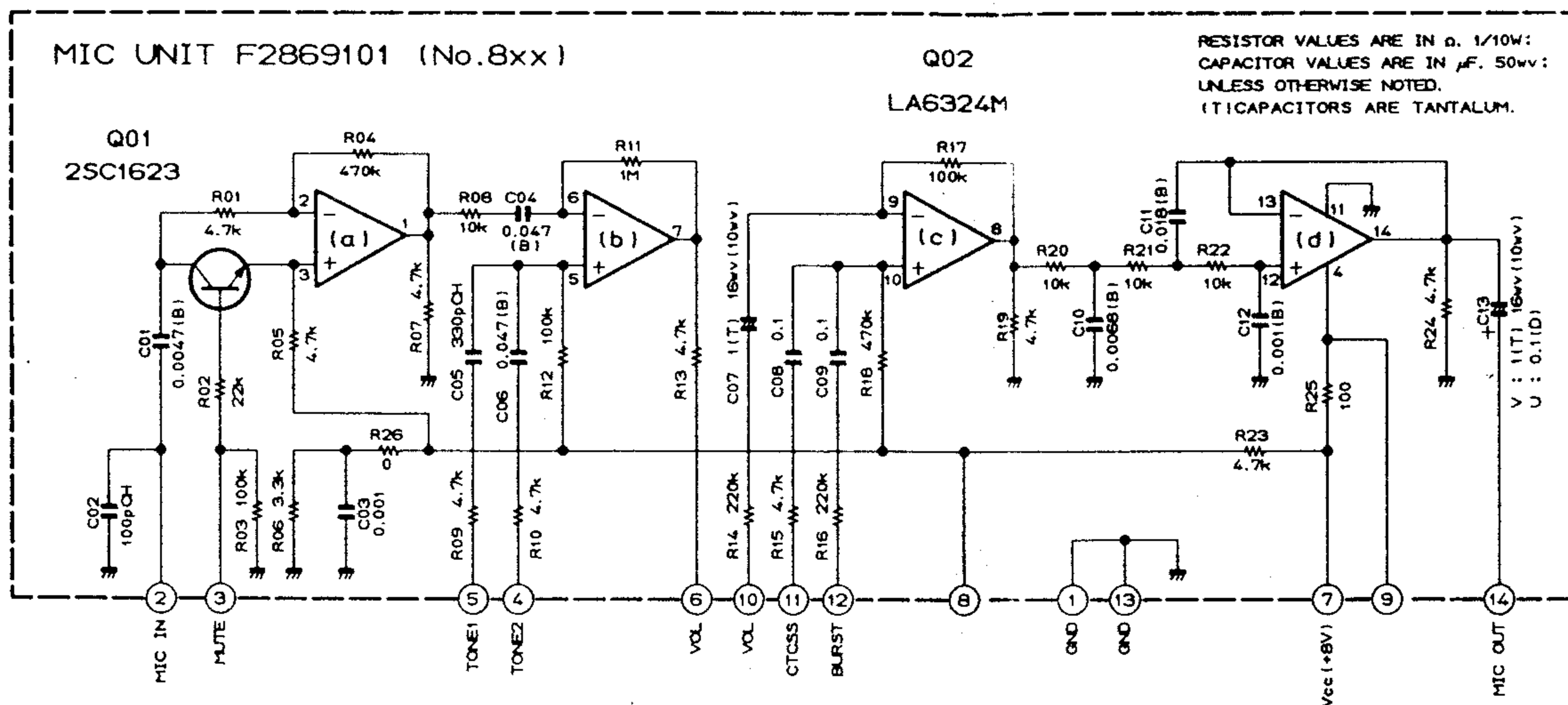
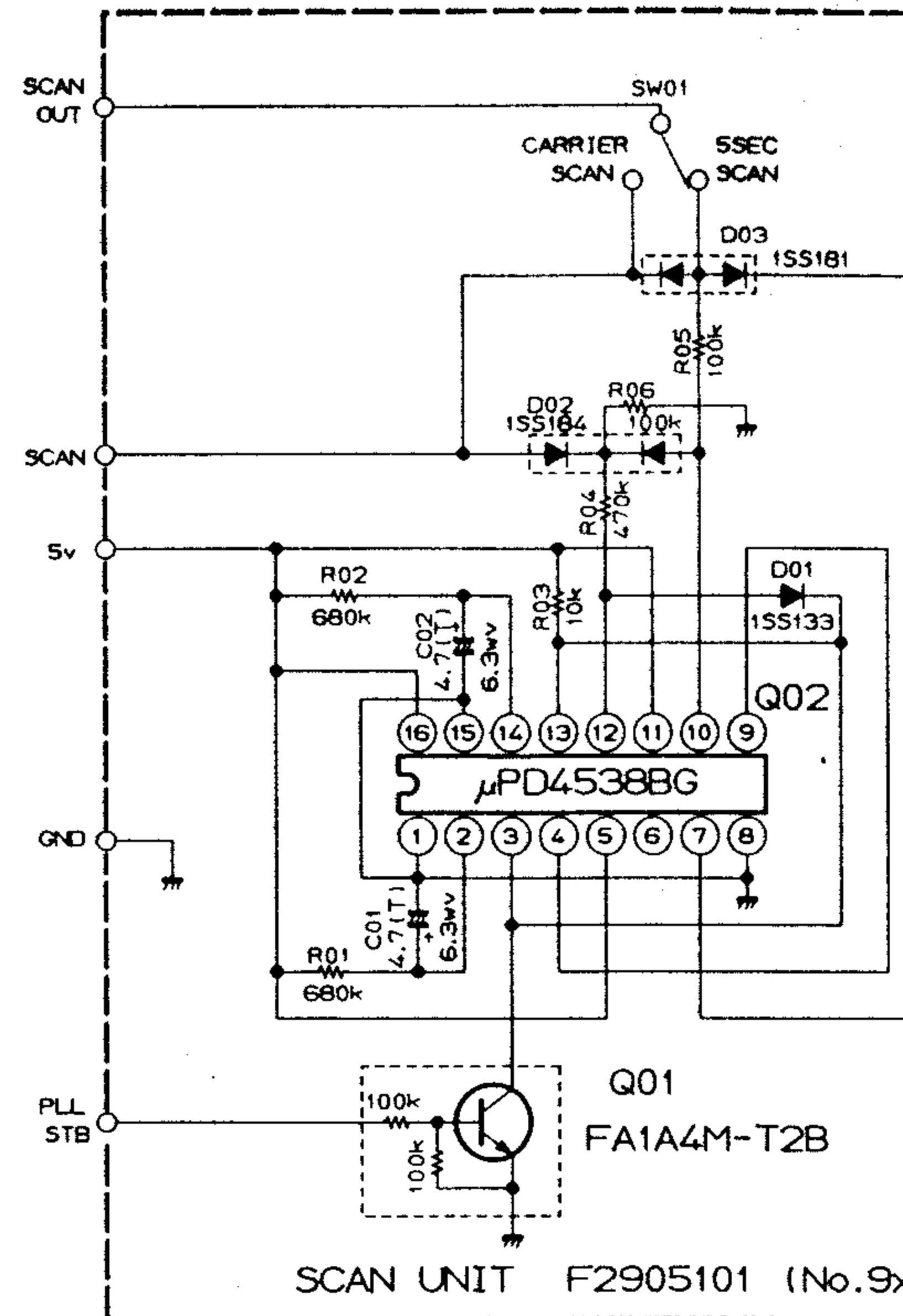
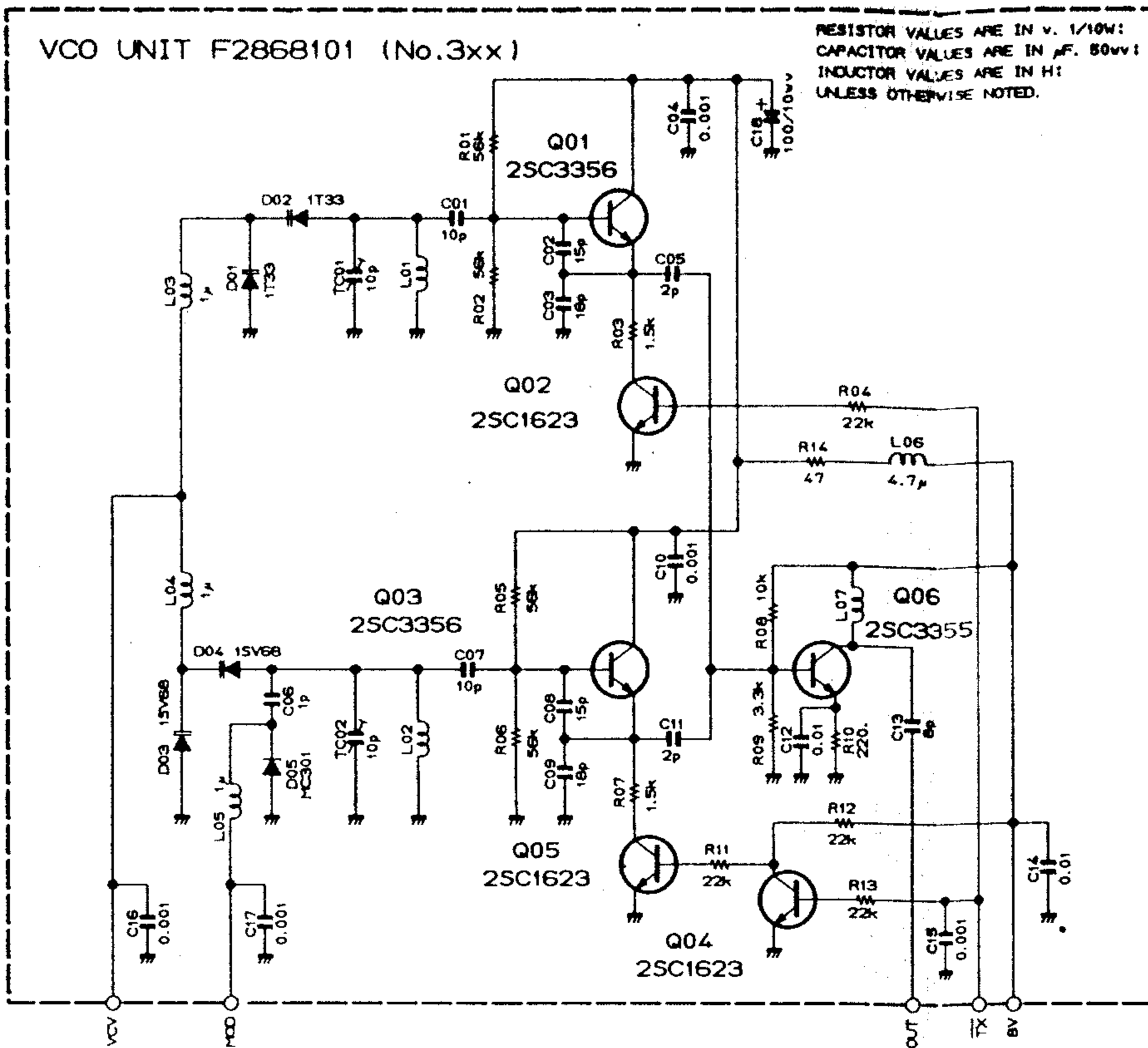
	10W	45W
Q09	M57715	M57726
Q11	25B1134R	25B942
R38	270	180
C99	7p	15p
C136	18p	
C139	0.001	
TC02		10p



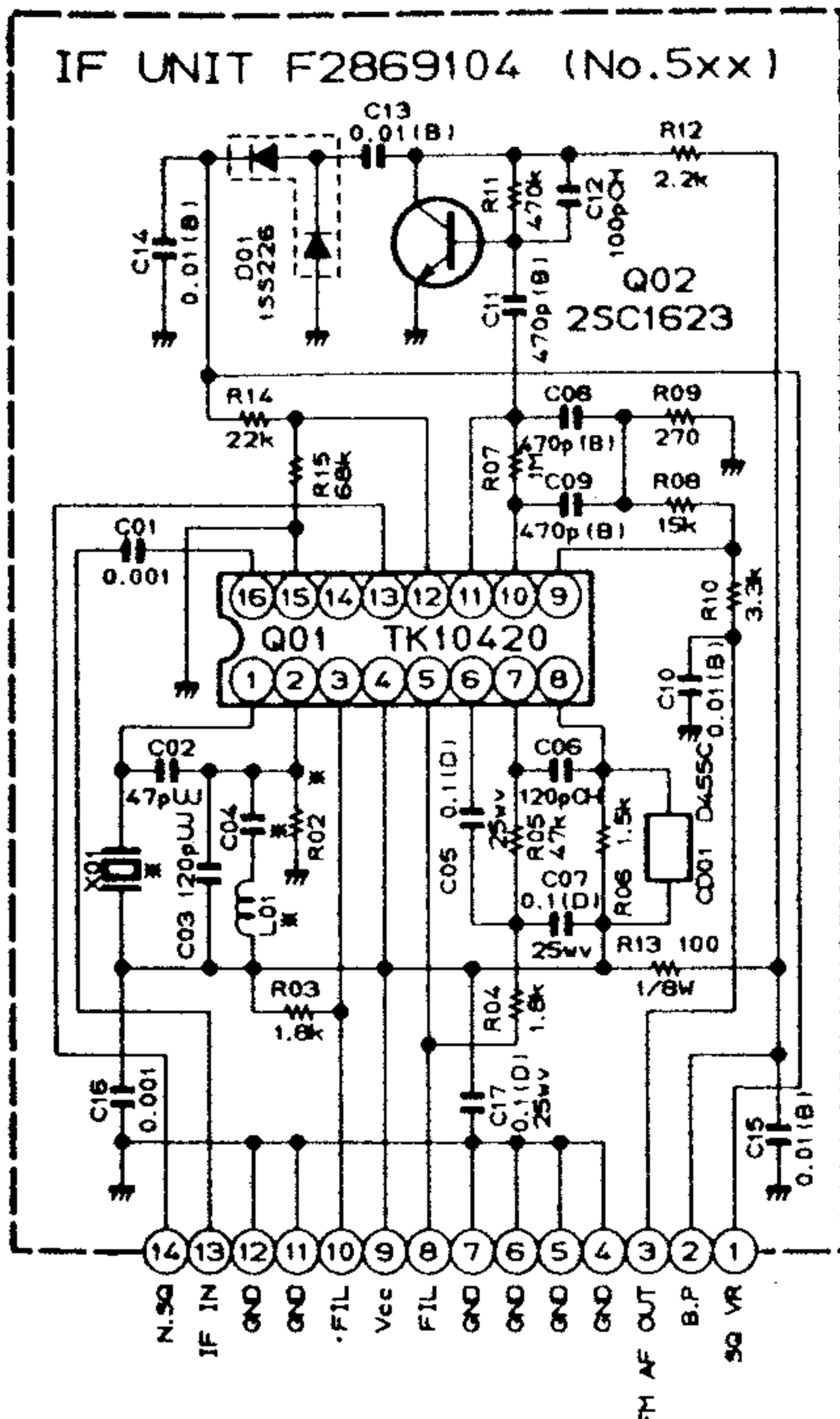
MAIN UNIT F2878000 (No. 1xxx)

RESISTOR VALUES ARE IN Ω, K, M.
CAPACITOR VALUES ARE IN P, μ, 50μV.
INDUCTOR VALUES ARE IN HENRIES, UNLESS OTHERWISE NOTED.
TICAPACITORS ARE TANTALUM, 10μV.
1sr ICAPACITORS ARE SEMICONDUCTOR CERAMIC, 25μV.

FT-211
CIRCUIT DIAGRAM



RESISTOR VALUES ARE IN Ω , 1/10W;
CAPACITOR VALUES ARE IN μ F, 50V;
UNLESS OTHERWISE NOTED.

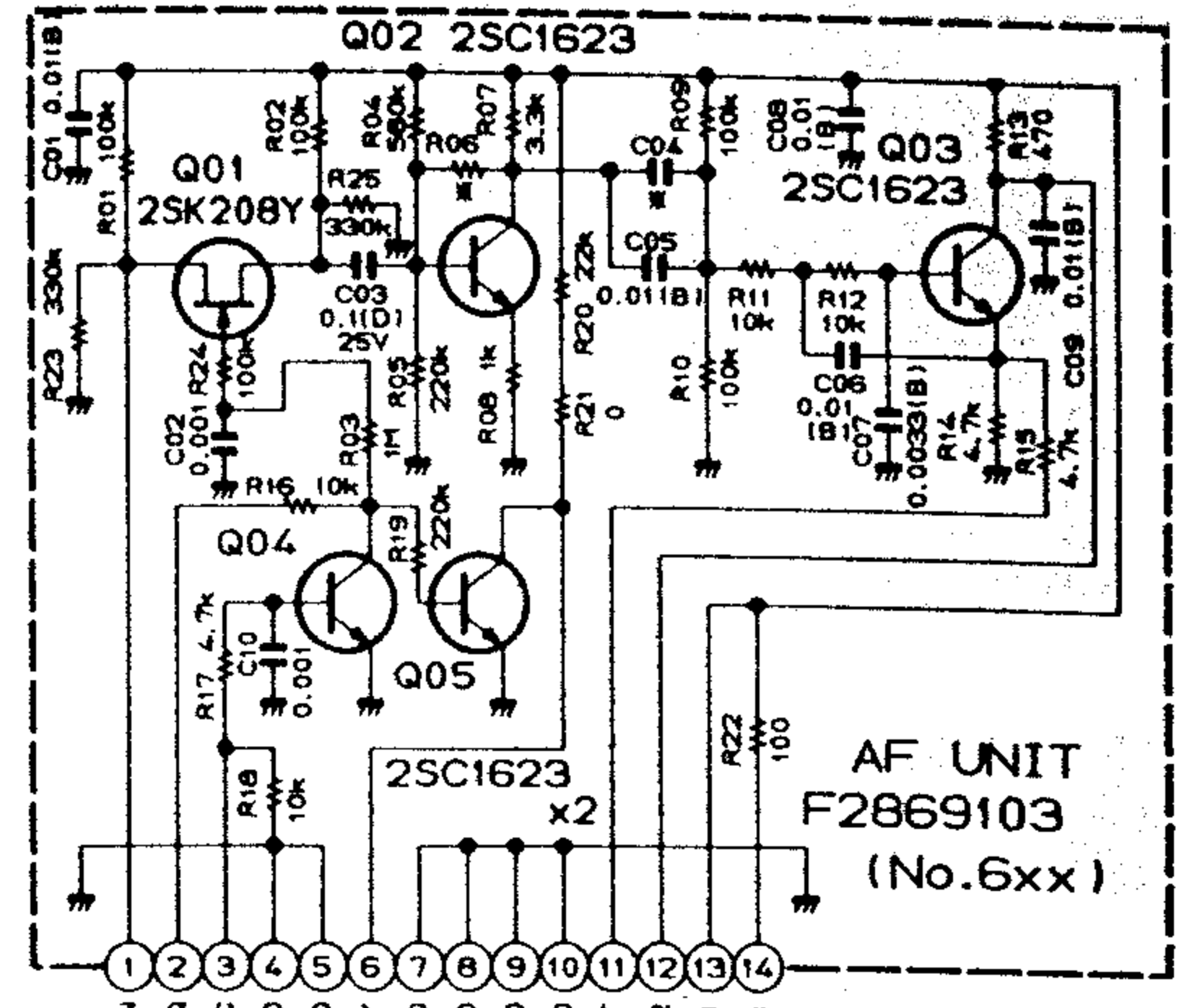


RESISTOR VALUES ARE IN Ω , 1/10W;
 CAPACITOR VALUES ARE IN μ F, 50V;
 INDUCTOR VALUES ARE IN H;
 UNLESS OTHERWISE NOTED.

* X01 : V — 10.245MHz
 U — 16.745MHz TC — 49/T

R02 : V — OUT OF USE
 U — 100k

C04 : OUT OF USE
 L01 : OUT OF USE



RESISTOR VALUES ARE IN Ω , 1/10W;
 CAPACITOR VALUES ARE IN μ F, 50V;
 UNLESS OTHERWISE NOTED.
 * R06 C04 : OUT OF USE

Downloaded by
 Amateur Radio Directory

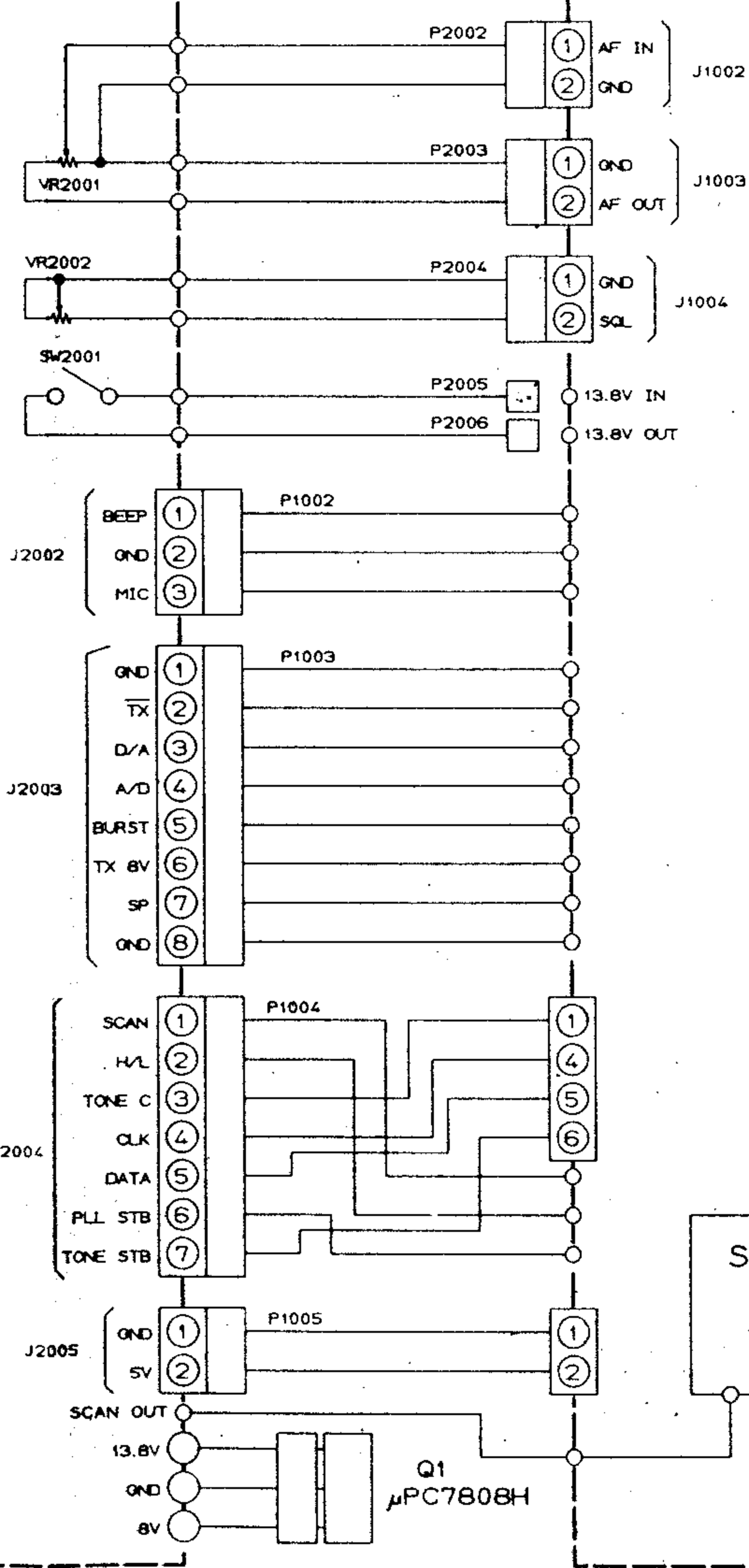
F2871000 (No.2xxx)

2.F
 B.C.D.E

1/10W;
 F. 50V;

2
 1623

MAIN UNIT F2878000 (No.1xxx)



VCO UNIT
 F2868101 (No.3xx)

PLL UNIT
 F2879102 (No.4xx)

IF UNIT
 F2879104 (No.5xx)

AF UNIT
 F2879103 (No.6xx)

METER UNIT
 F2879105 (No.7xx)

MIC UNIT
 F2879101 (No.8xx)

TONE SQL UNIT
 (OPTION)

SCAN UNIT
 F2905101
 (No.9xx)

ANT
 J2

J3
 EXT SPKR

J1001
 SPK1
 SPK2

P1
 13.8V
 GND
 DC13.8V