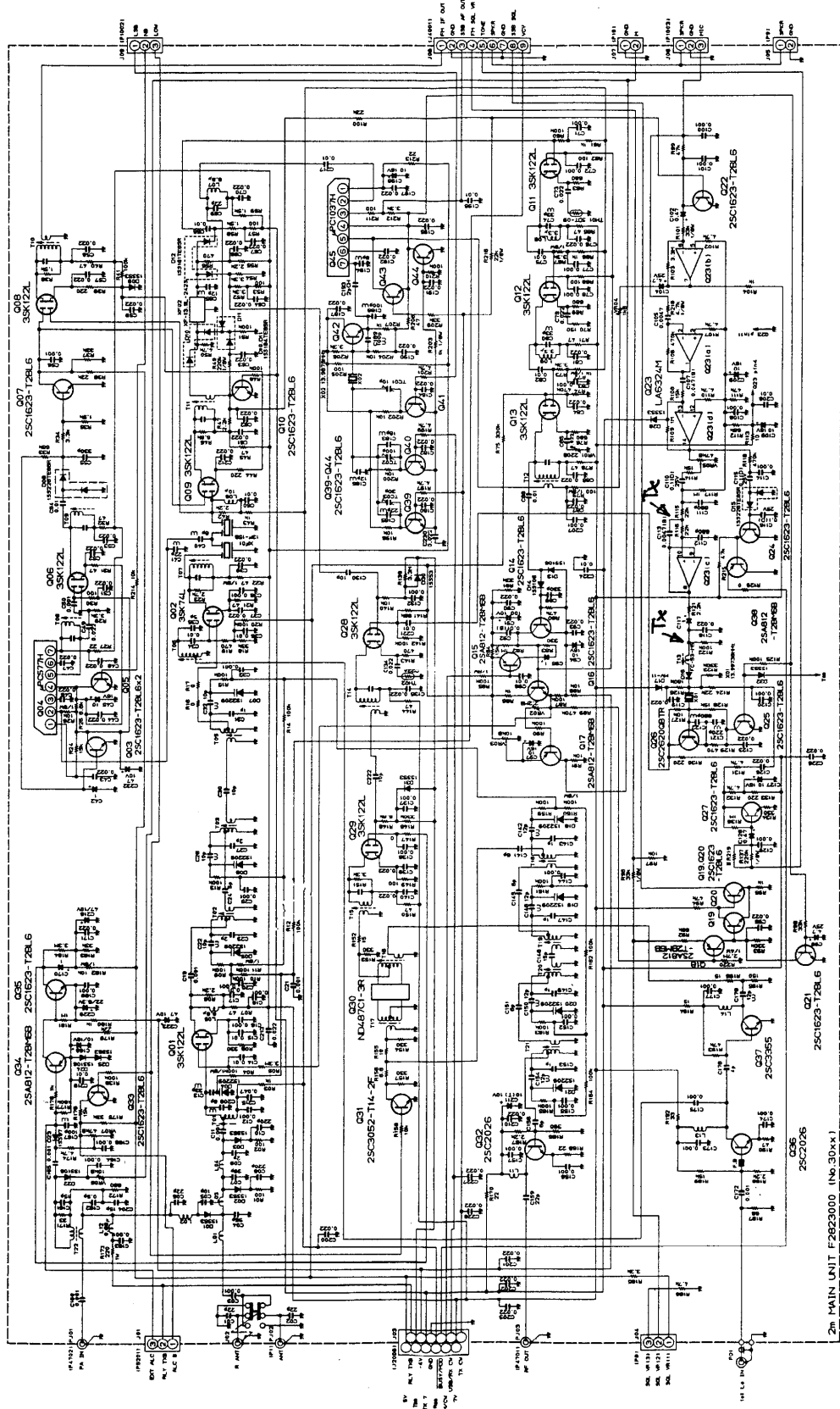
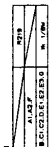


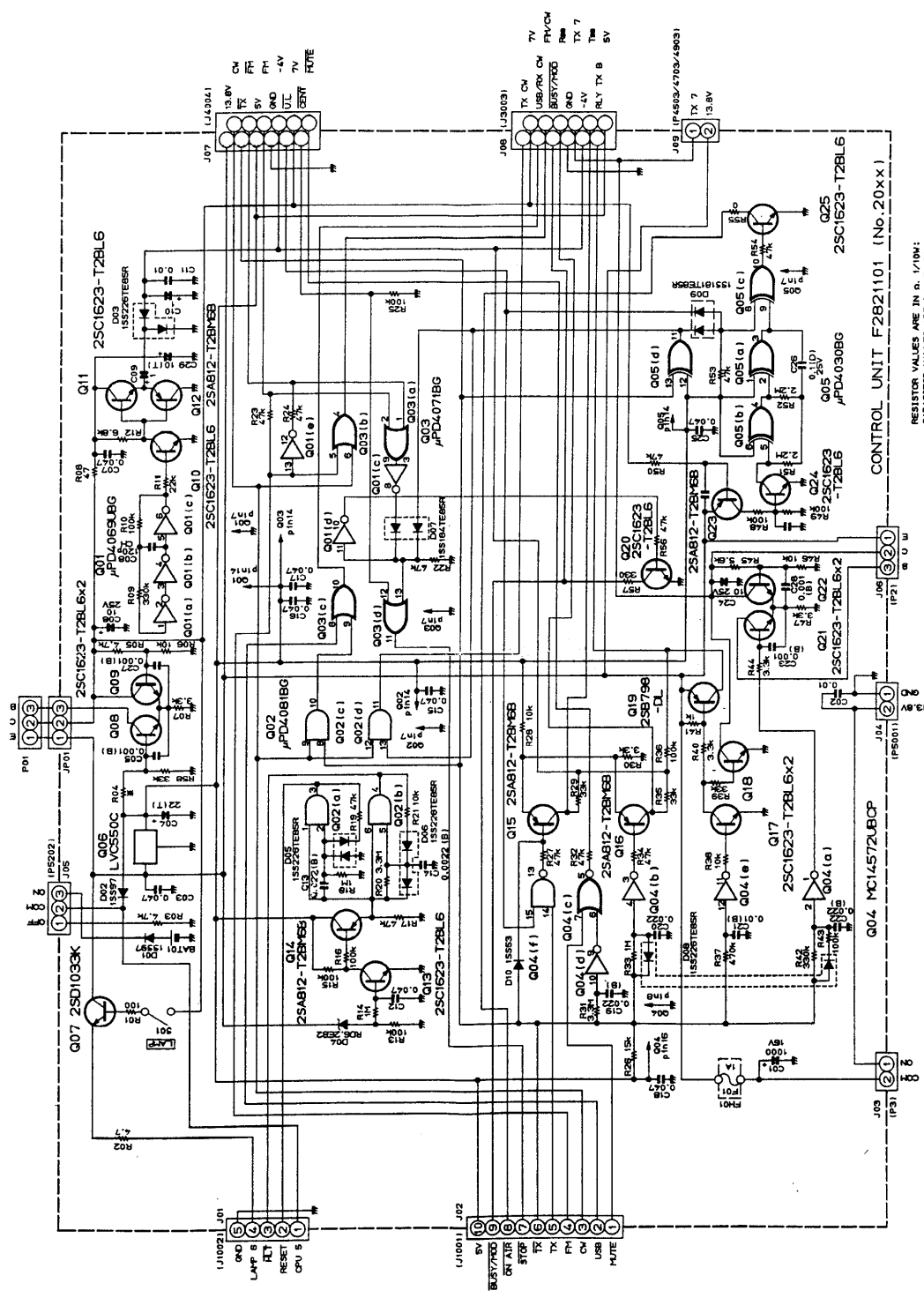
FT-290RI  
CONNECTION DIAGRAM



RESISTOR VALUES ARE IN OHMS.  
CAPACITOR VALUES ARE IN MICROFARADS.  
INDUCTOR VALUES ARE IN MILLIHENRYS.  
TEMPERATURE ARE TYPICAL UNITS.



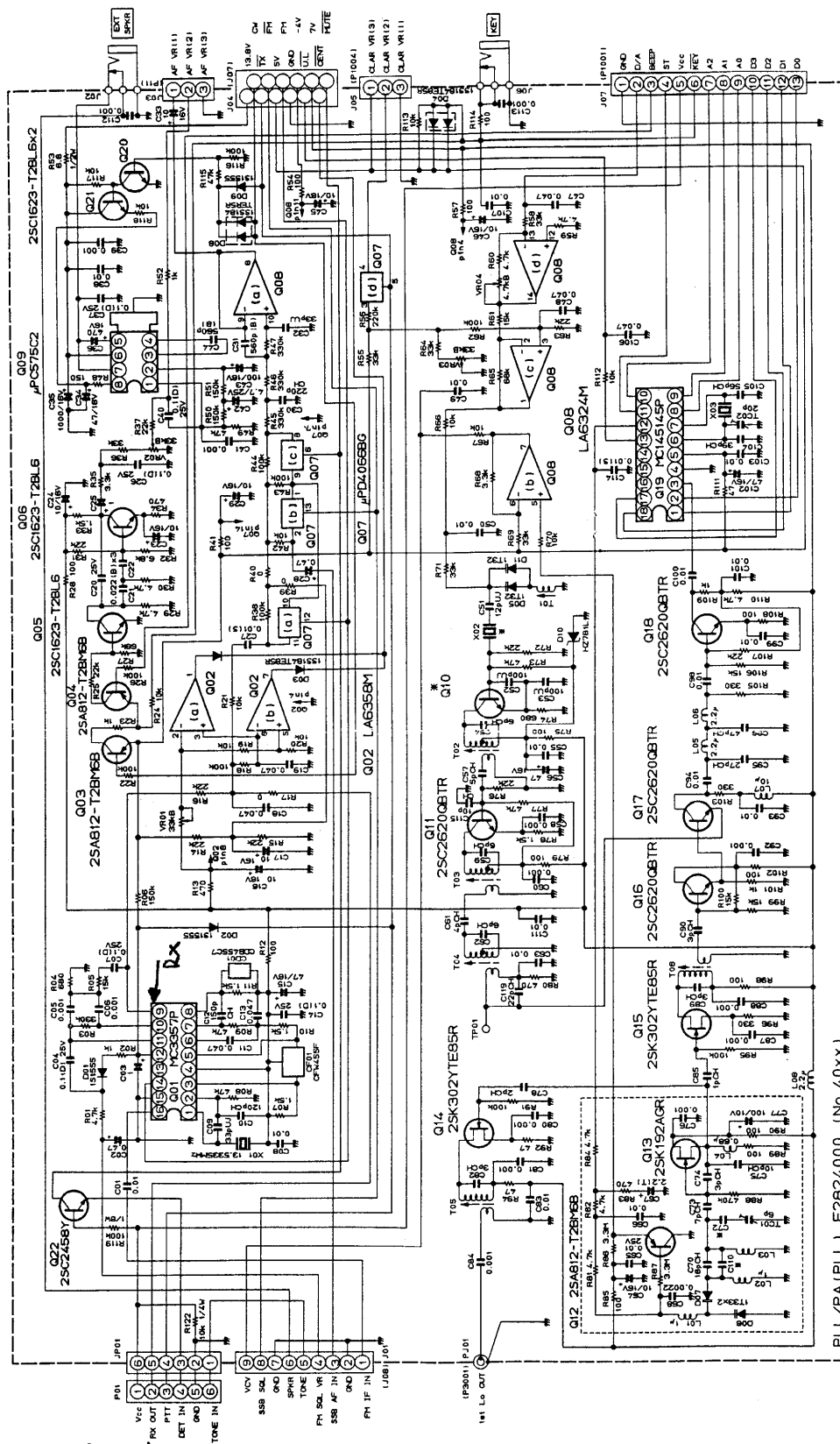
2m MAIN UNIT F2923000 (No.30xx)



RESISTOR VALUES ARE IN  $\Omega$ , 1/10 $\Omega$ ,  
 CAPACITOR VALUES ARE IN  $\mu$ F, 50 $\mu$ F,  
 UNLESS OTHERWISE NOTED.  
 1/10 $\mu$ F CAPACITORS ARE TANTALUM, 10WV.

CONTROL UNIT F2B21101 (No. 20xx)

1	2	3	4	5	6	7	8
1	2	3	4	5	6	7	8

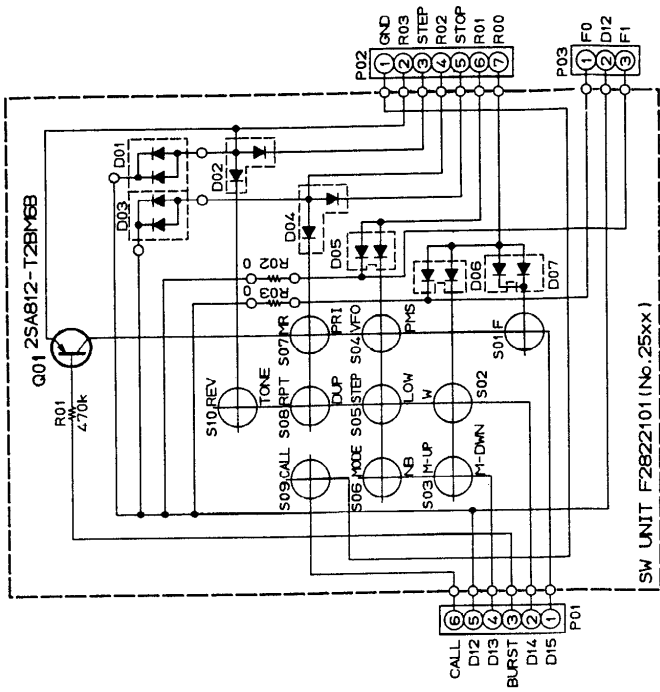


PLL/P.A.(PLL) F-262400 (No. 40xx)

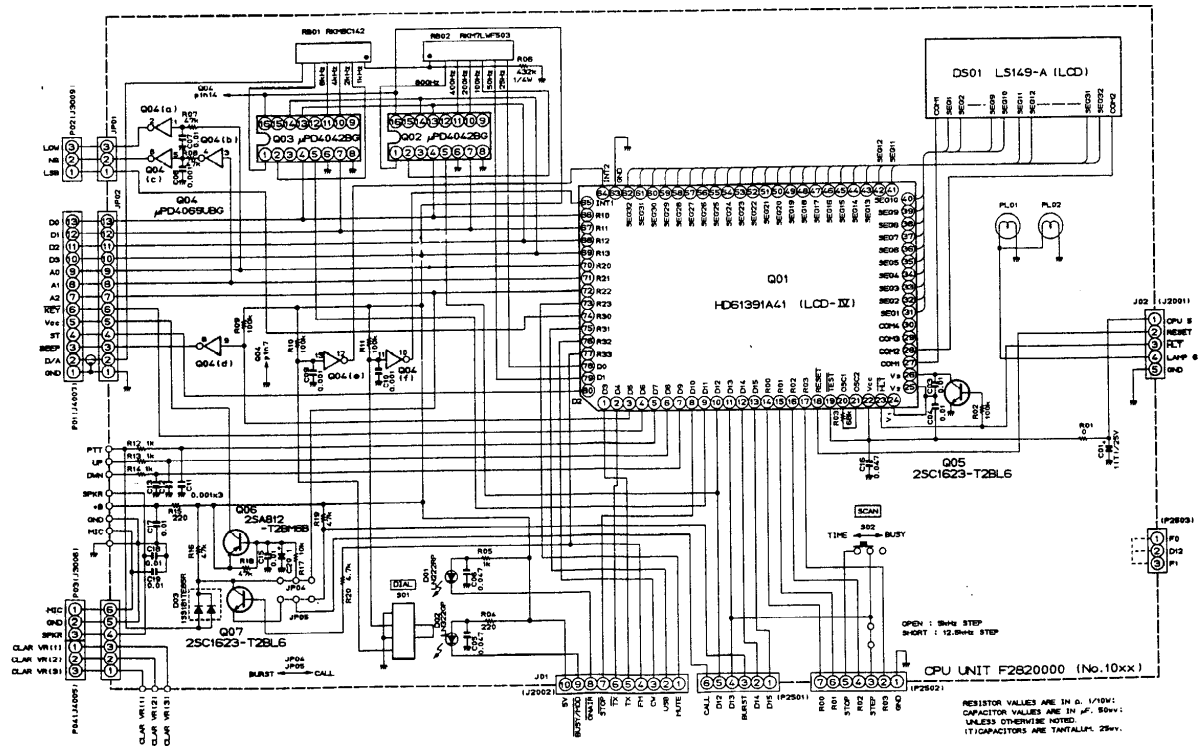
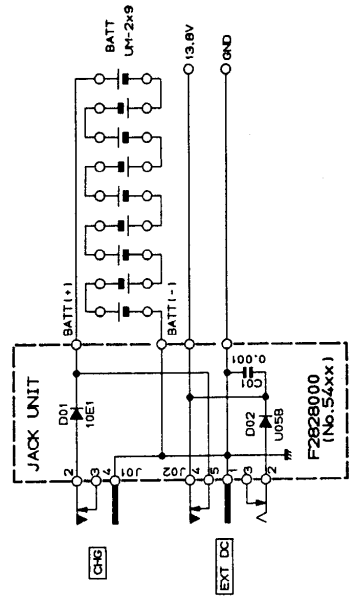
RESISTOR VALUES ARE IN  $\Omega$ ,  $\text{k}\Omega$ ,  $\text{M}\Omega$ .  
 INDUCTOR VALUES ARE IN HENRIES, UNLESS OTHERWISE NOTED.  
 CAPACITOR VALUES ARE IN PICO, NANO, MICRO, AND MILLIFARADS.  
 DIODES ARE SILICON, UNLESS OTHERWISE NOTED.  
 TRANSISTORS ARE TANTALUM, UNLESS OTHERWISE NOTED.

Q01	Q02	Q03	Q04	Q05	Q06	Q07	Q08	Q09	Q10	Q11	Q12	Q13	Q14	Q15	Q16	Q17	Q18
2SC2458Y	2SC1623-T2BL6	2SC1623-T2BL6	2SC1623-T2BL6	2SC1623-T2BL6	2SC1623-T2BL6	2SC1623-T2BL6	2SC1623-T2BL6	2SC1623-T2BL6	2SC2620QBTR	2SC2620QBTR	2SC2620QBTR	2SC2620QBTR	2SC2620QBTR	2SK302YEB5R	2SK302YEB5R	2SK302YEB5R	2SK302YEB5R

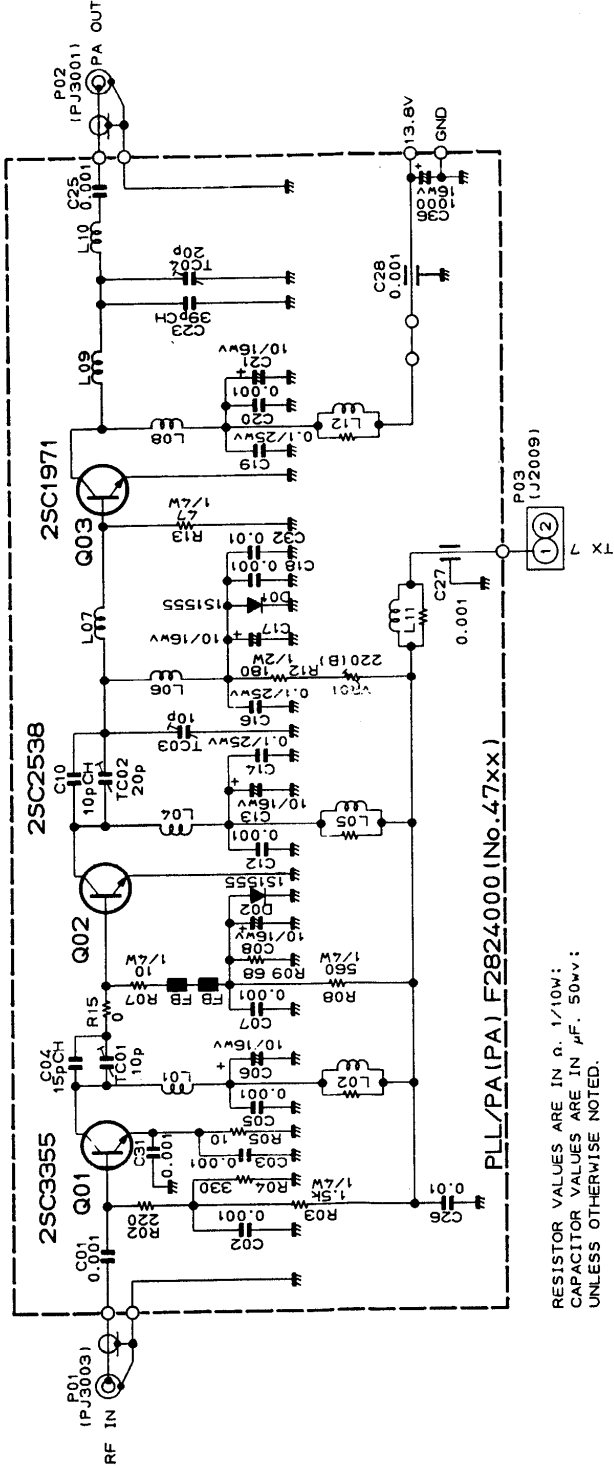
Downloaded by  Amateur Radio Directory



RESISTOR VALUES ARE IN  $\Omega$ , 1/10W;  
 DIODES ARE TYPE 1SS181;  
 UNLESS OTHERWISE NOTED.



RESISTOR VALUES ARE IN  $\Omega$ , 1/10W;  
 CAPACITOR VALUES ARE IN  $\mu$ , 50V;  
 UNLESS OTHERWISE NOTED;  
 ALL CAPACITORS ARE TANTALUM, 25V.



RESISTOR VALUES ARE IN Ω, 1/10W;  
CAPACITOR VALUES ARE IN μF, 50V;  
UNLESS OTHERWISE NOTED.