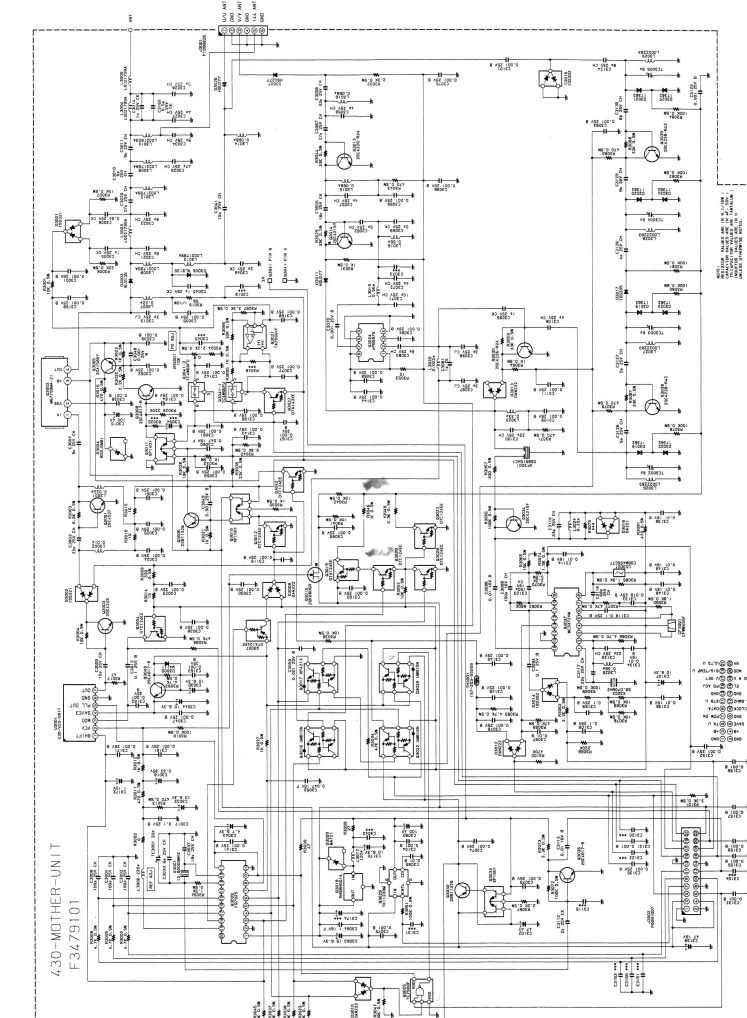
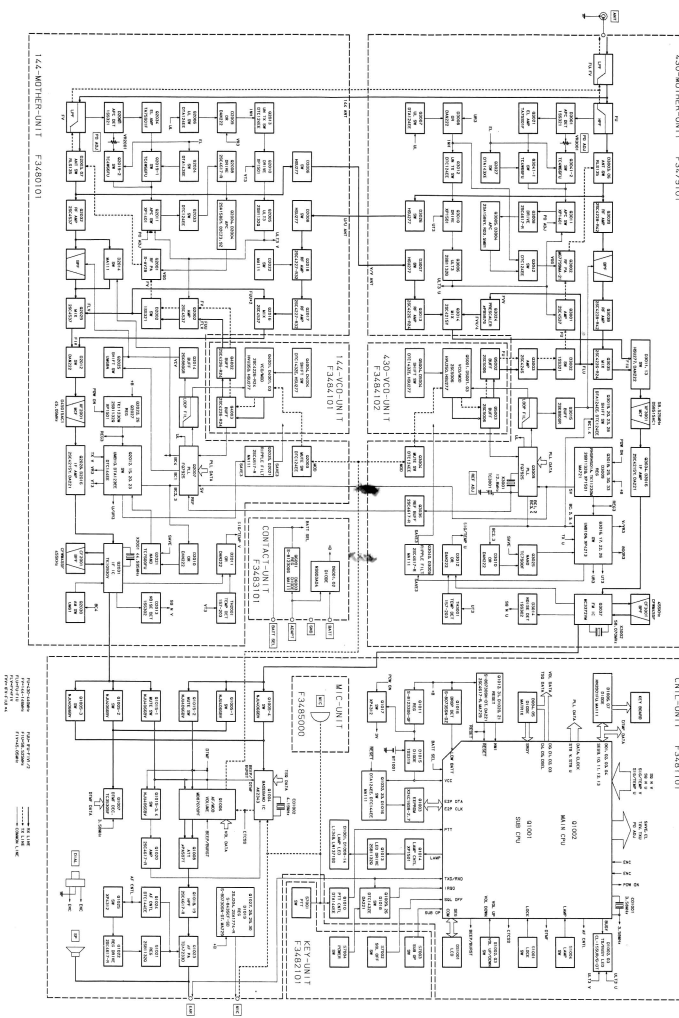
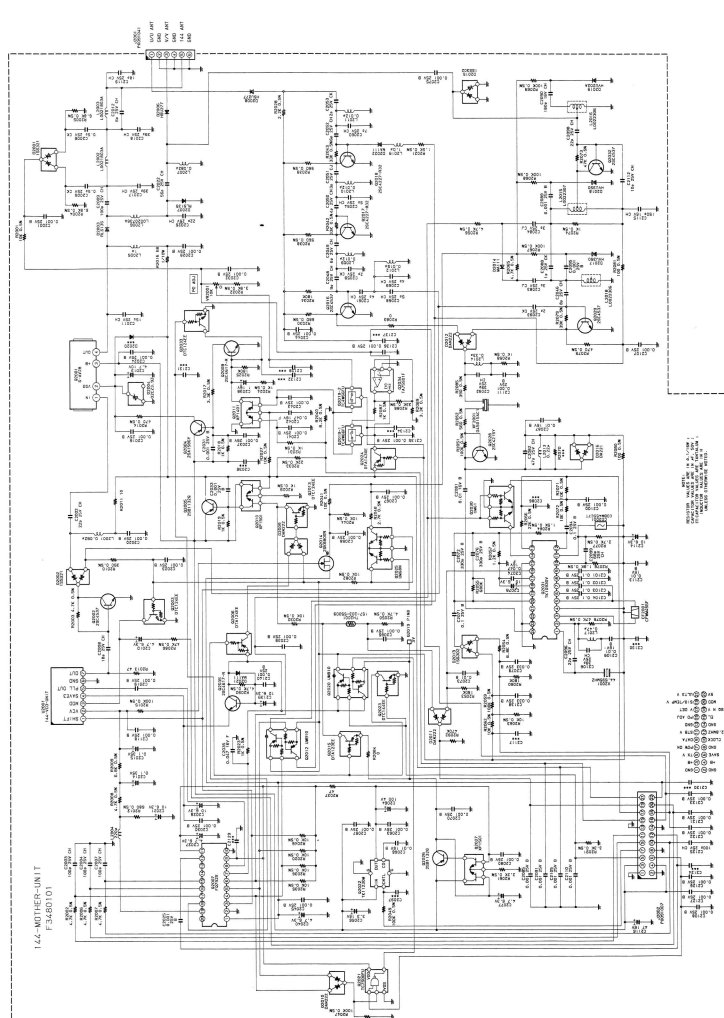
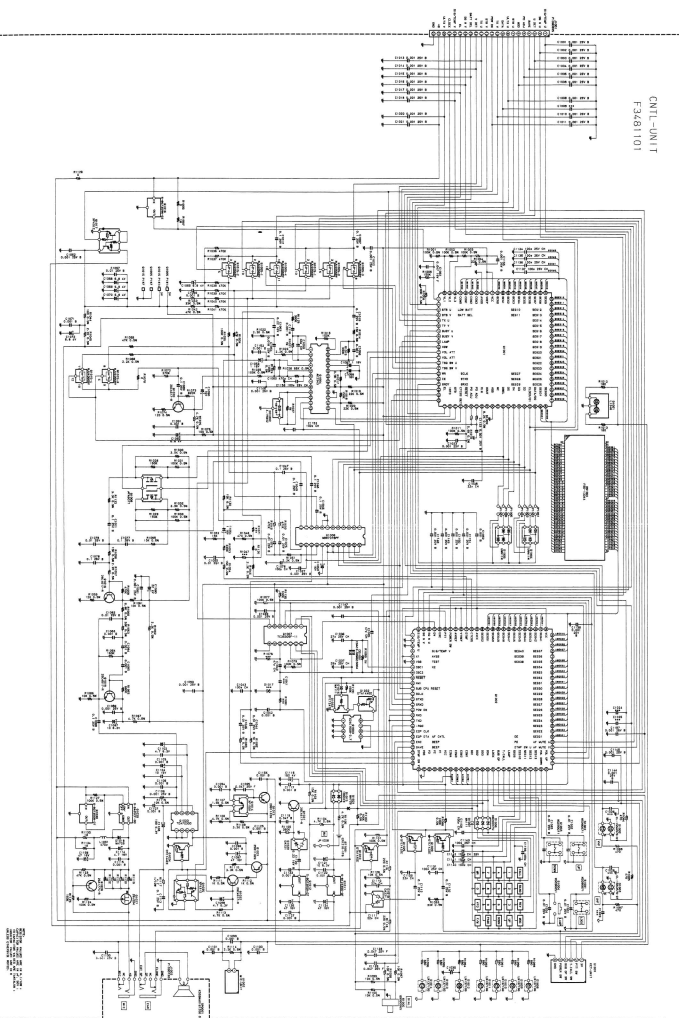


# FT-51R Circuit Diagram



## CONNECTION-DIAGRAM

