

## FT-707 CW FILTER INSTALLATION

- (1) Refer to Figure 1, and remove the top cover of the transceiver.
- (2) Refer to Figure 2, and remove the two screws marked "A" in the drawing. Remove the RF Unit.
- (3) Refer to Figure 3, and remove the four screws marked "B" restraining the IF Unit. Remove the three connectors of the IF Unit, and remove the board from the transceiver.
- (4) Mount the CW filter in the position shown in Figure 4. Cut the two jumpers shown in the drawing when the CW filter is installed.
- (5) Replace the IF Unit and RF Unit into the transceiver. Replace the top cover of the transceiver. Installation is now complete. The CW filter will be selected when the MODE switch is set to CW-N, while the SSB filter will be selected when the MODE switch is set to CW-W.

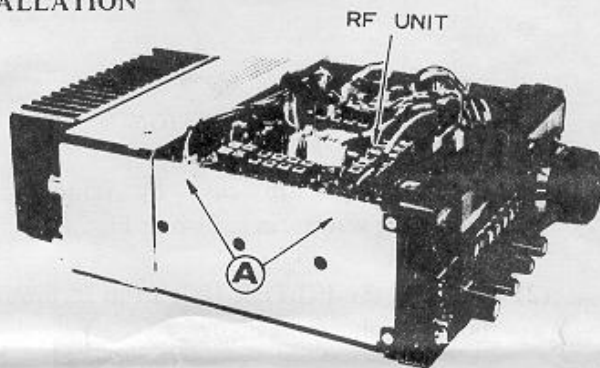


Fig. 2

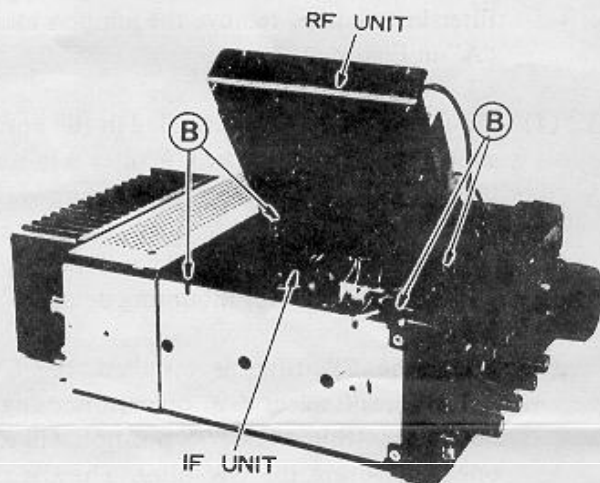


Fig. 3

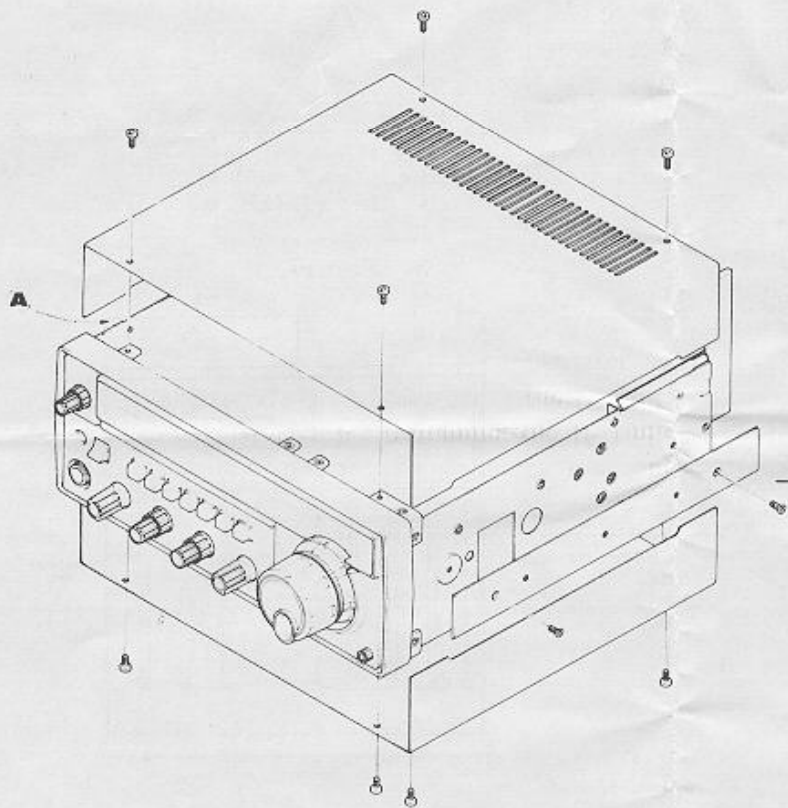


Fig. 1

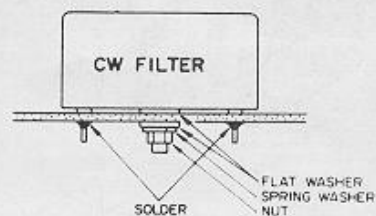
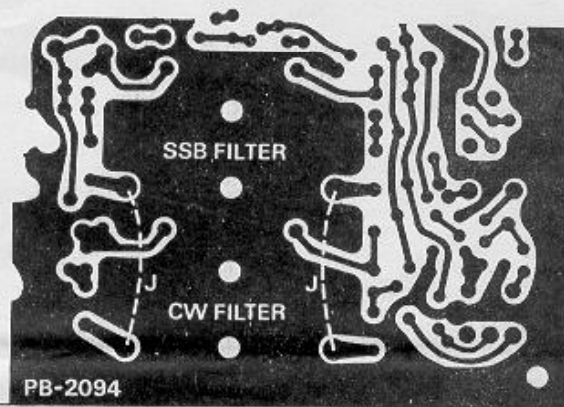


Fig. 4