

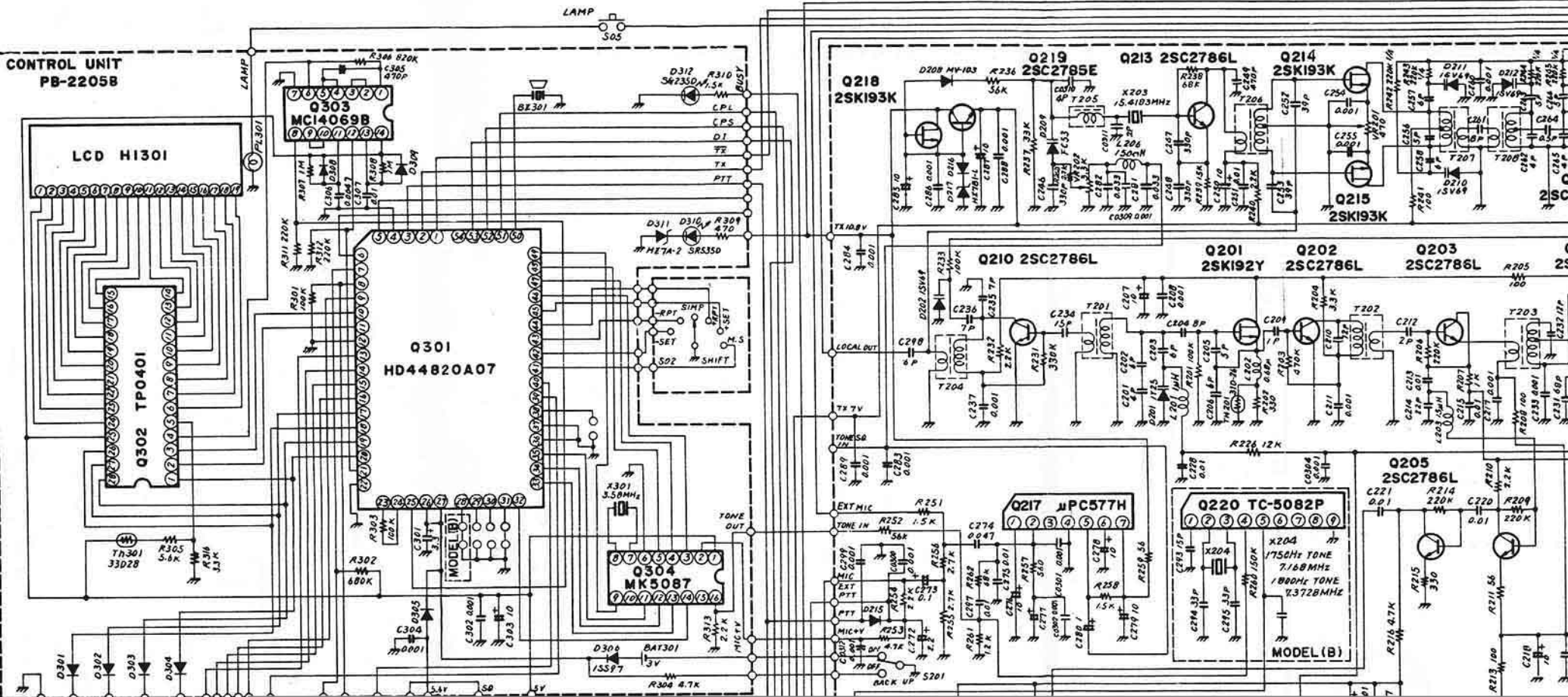
# CONTROL UNIT PB-22058

LCD HI301  
①②③④⑤⑥⑦⑧⑨⑩⑪⑫⑬⑭⑮⑯⑰⑱⑲

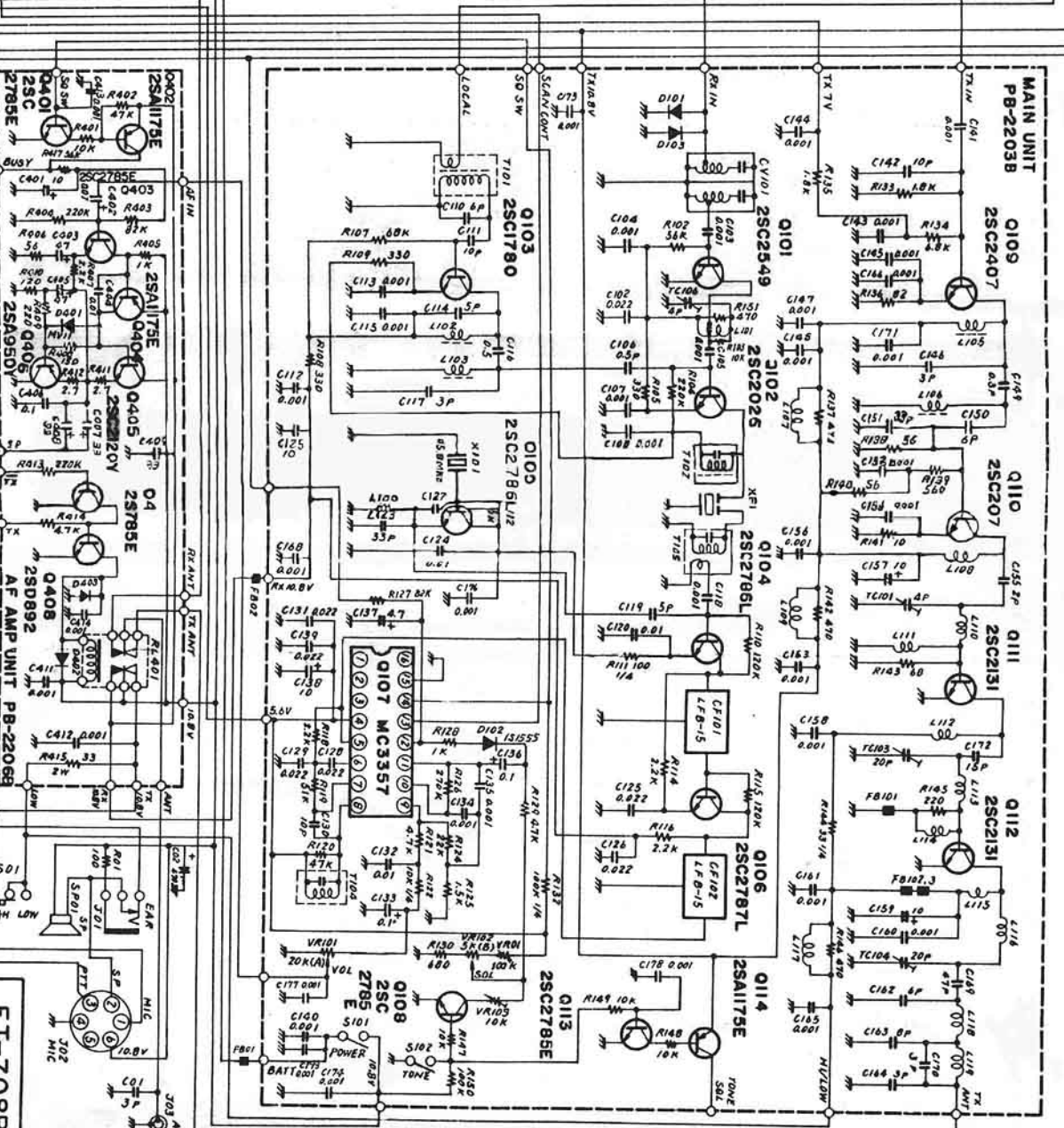
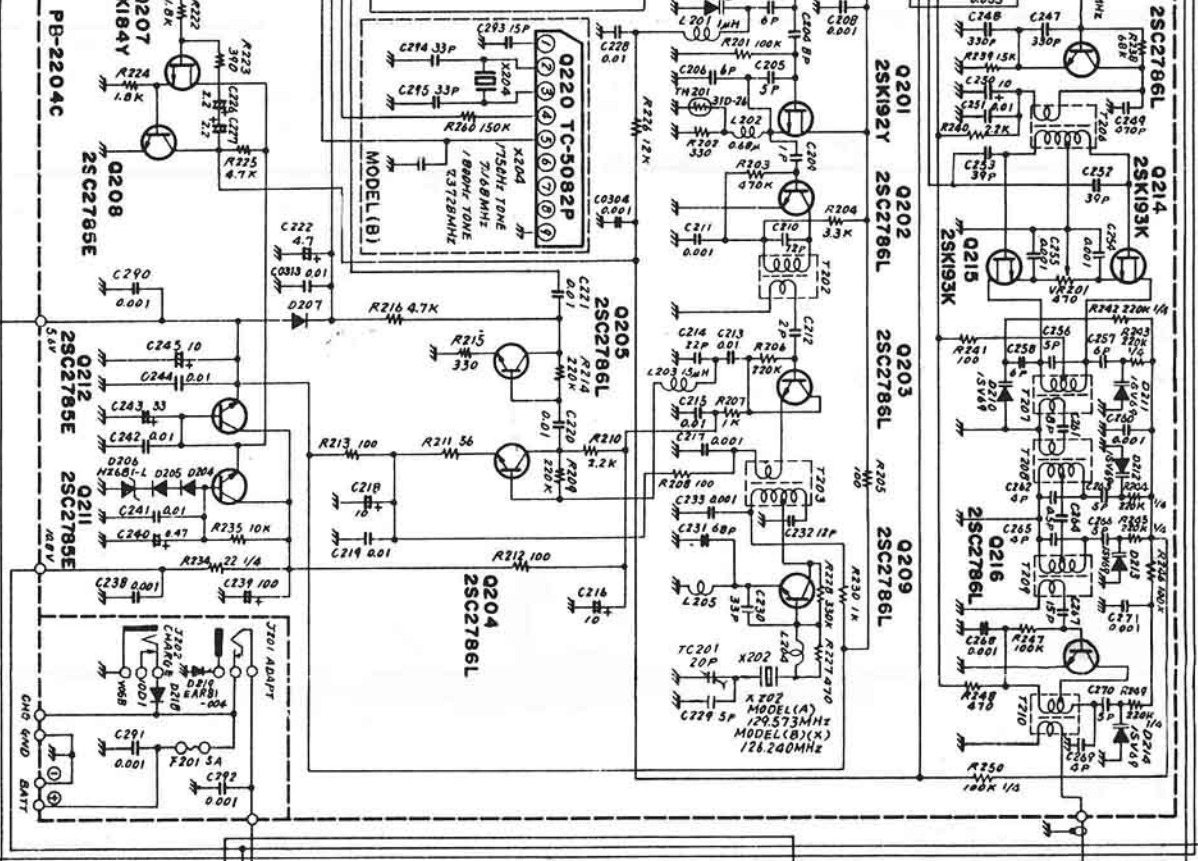
Q302 TP0401  
①②③④⑤⑥⑦⑧⑨⑩⑪⑫⑬⑭⑮⑯⑰⑱⑲

Q301  
HD44820A07  
①②③④⑤⑥⑦⑧⑨⑩⑪⑫⑬⑭⑮⑯⑰⑱⑲

Q304 MK5087  
①②③④⑤⑥⑦⑧⑨⑩⑪⑫⑬⑭⑮⑯⑰⑱⑲



NOTES  
 1. ALL DIODES ARE 1SS53 UNLESS OTHERWISE NOTED.  
 2. ALL RESISTORS ARE IN 1/8 W UNLESS OTHERWISE NOTED.



MODEL (A), (B), (X)  
**FT-708R**  
 CIRCUIT DIAGRAM