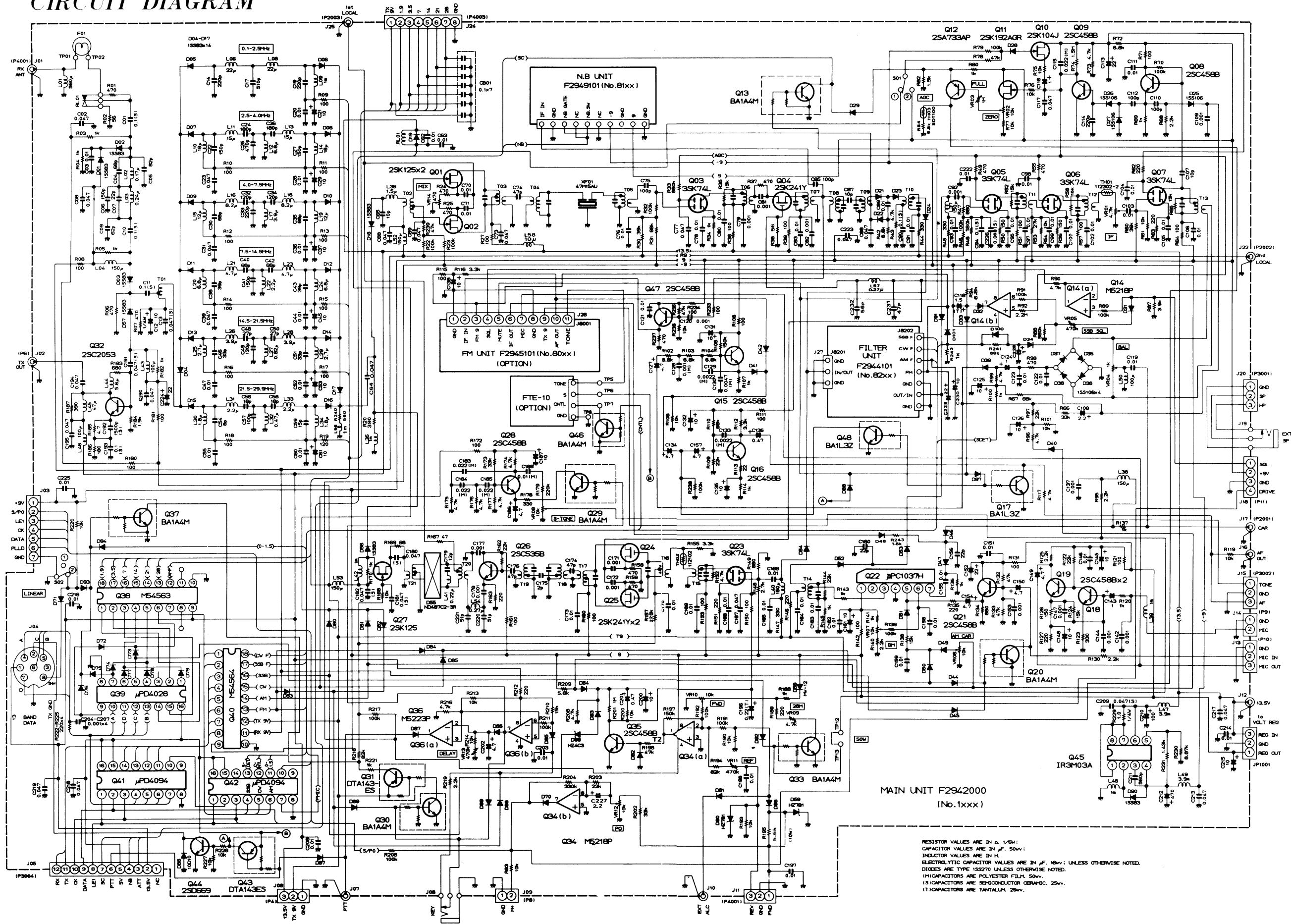


MAIN UNIT

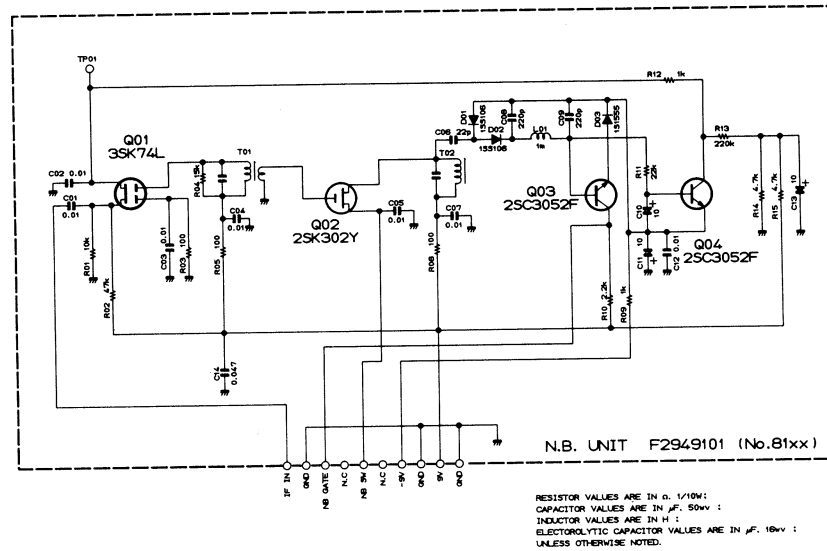
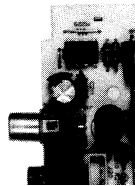
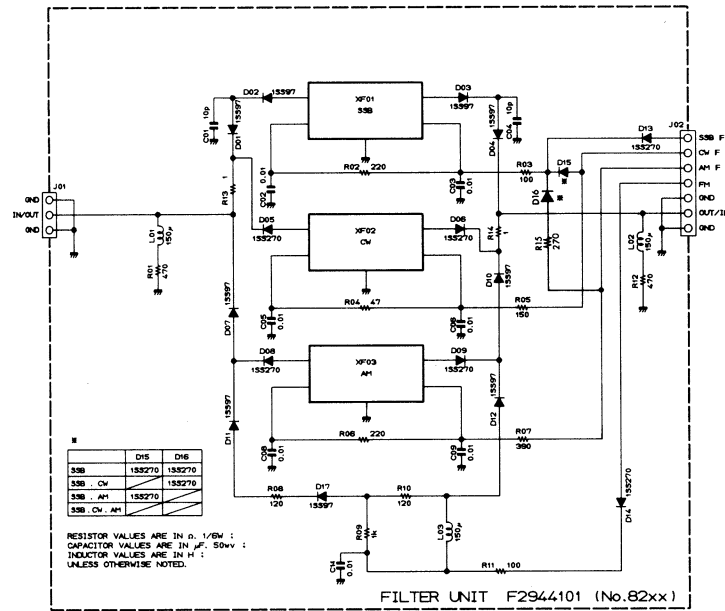
CIRCUIT DIAGRAM



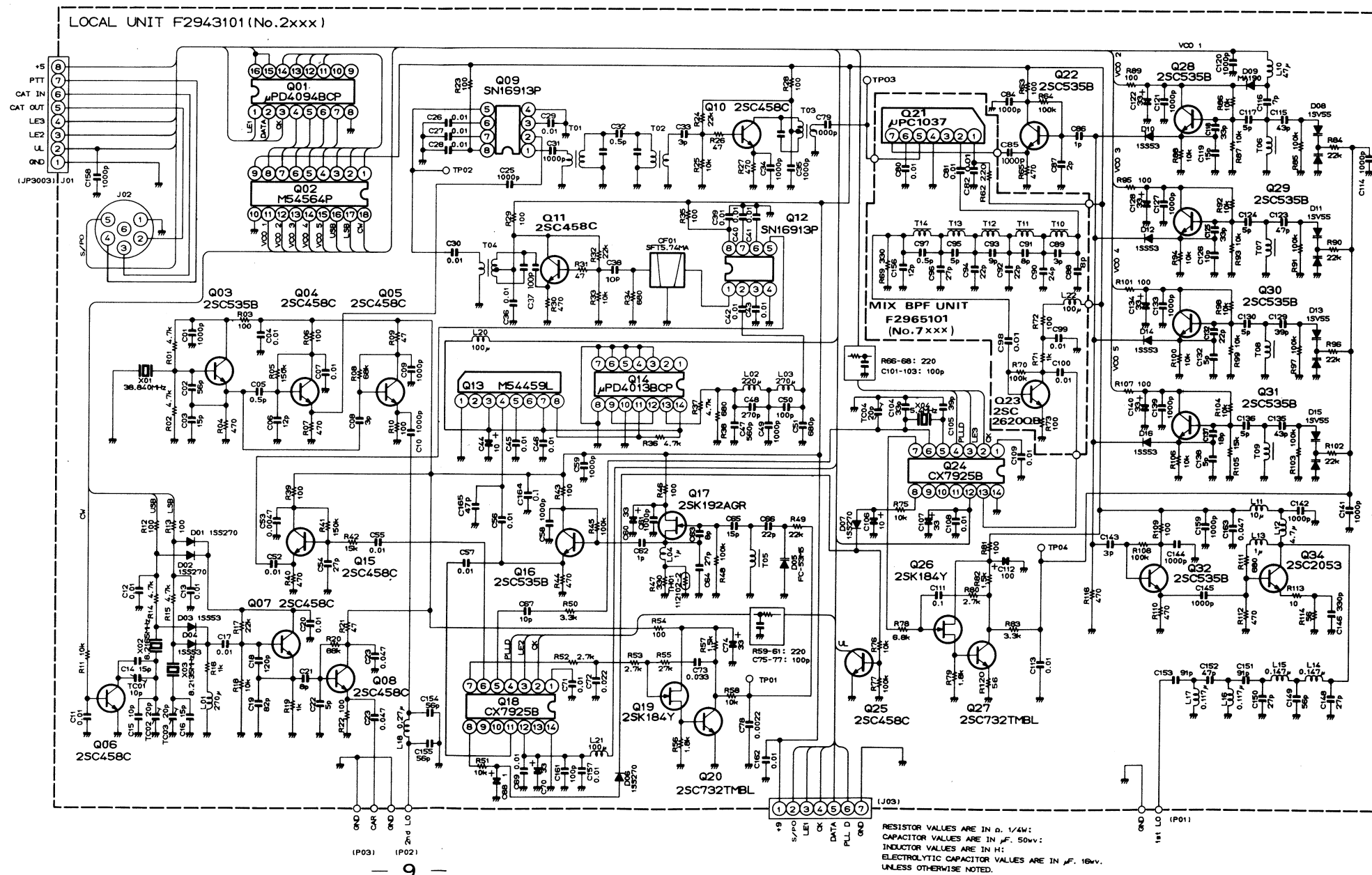
RESISTOR VALUES ARE IN Ω , k , M .
CAPACITOR VALUES ARE IN μF , 50V.
INDUCTOR VALUES ARE IN μH .
ELECTROLYTIC CAPACITOR VALUES ARE IN μF , 16V, UNLESS OTHERWISE NOTED.
DIODES ARE TYPE 155270 UNLESS OTHERWISE NOTED.
IC CAPACITORS ARE POLYESTER FILM, 50V.
IC CAPACITORS ARE SEMICONDUCTOR CERAMIC, 25V.
IC CAPACITORS ARE TANTALUM, 25V.

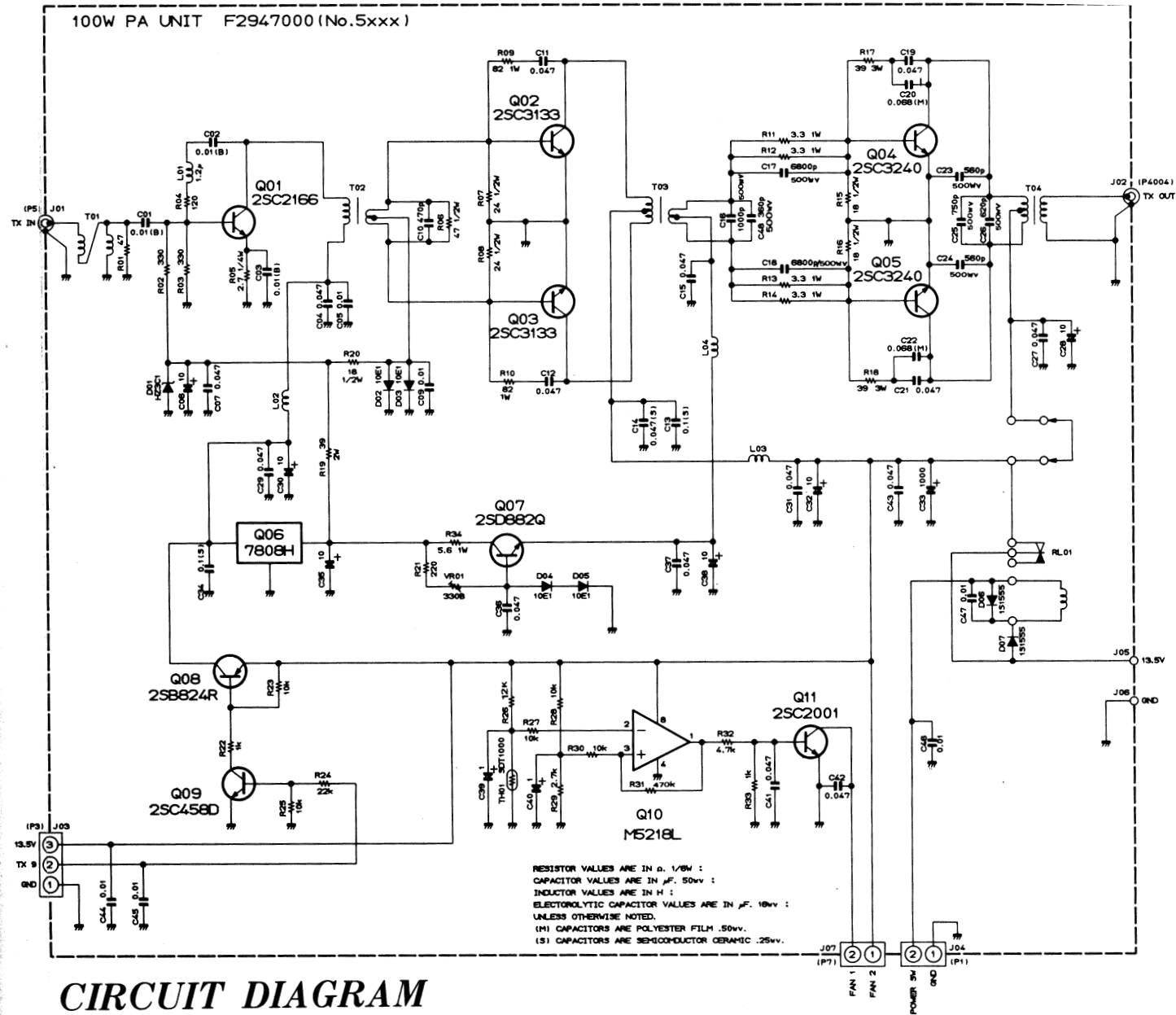
FILTER UNIT CIRCUIT DIAGRAM

NB UNIT CIRCUIT DIAGRAM



CIRCUIT DIAGRAM





LPF UNIT

