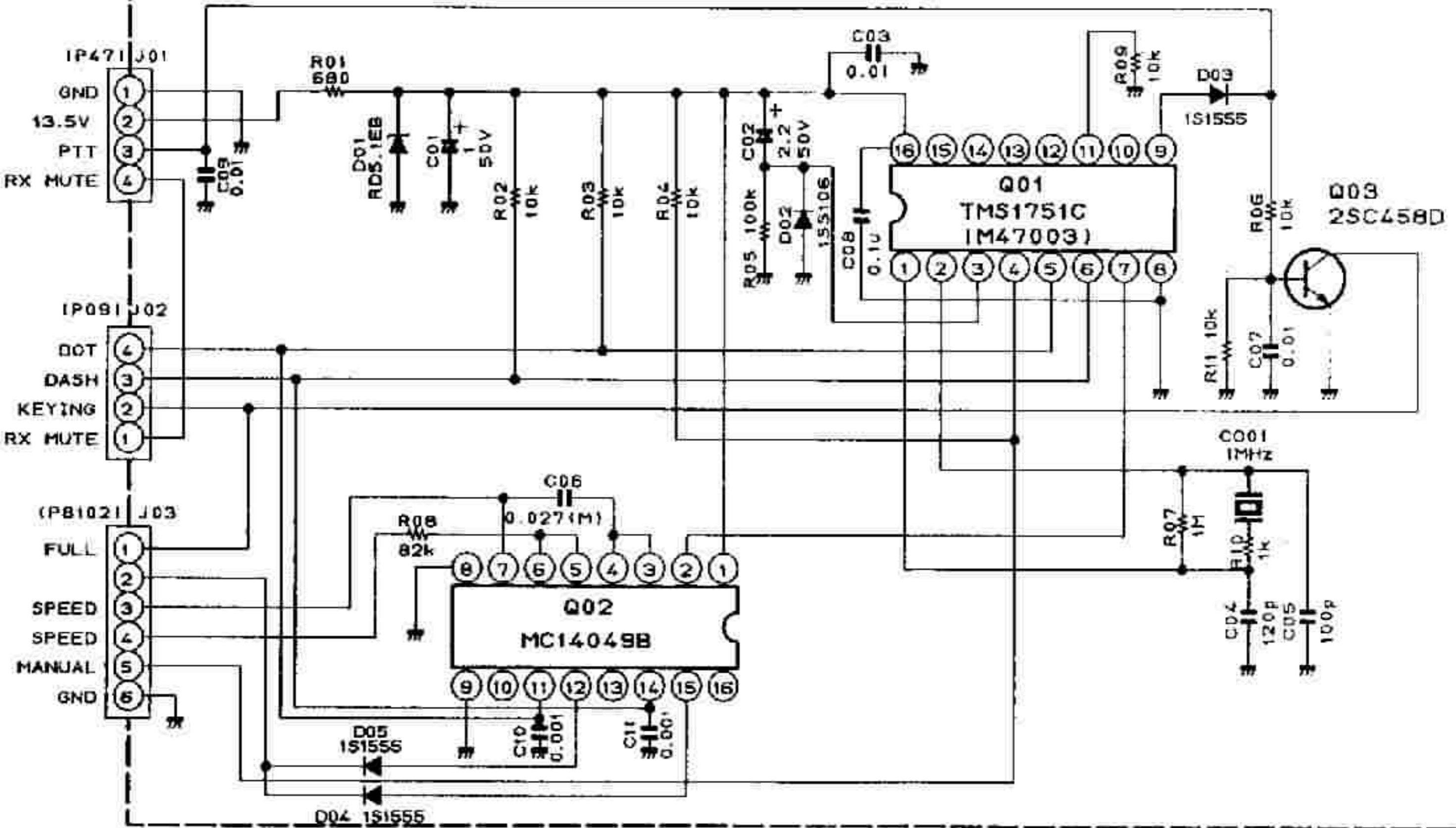
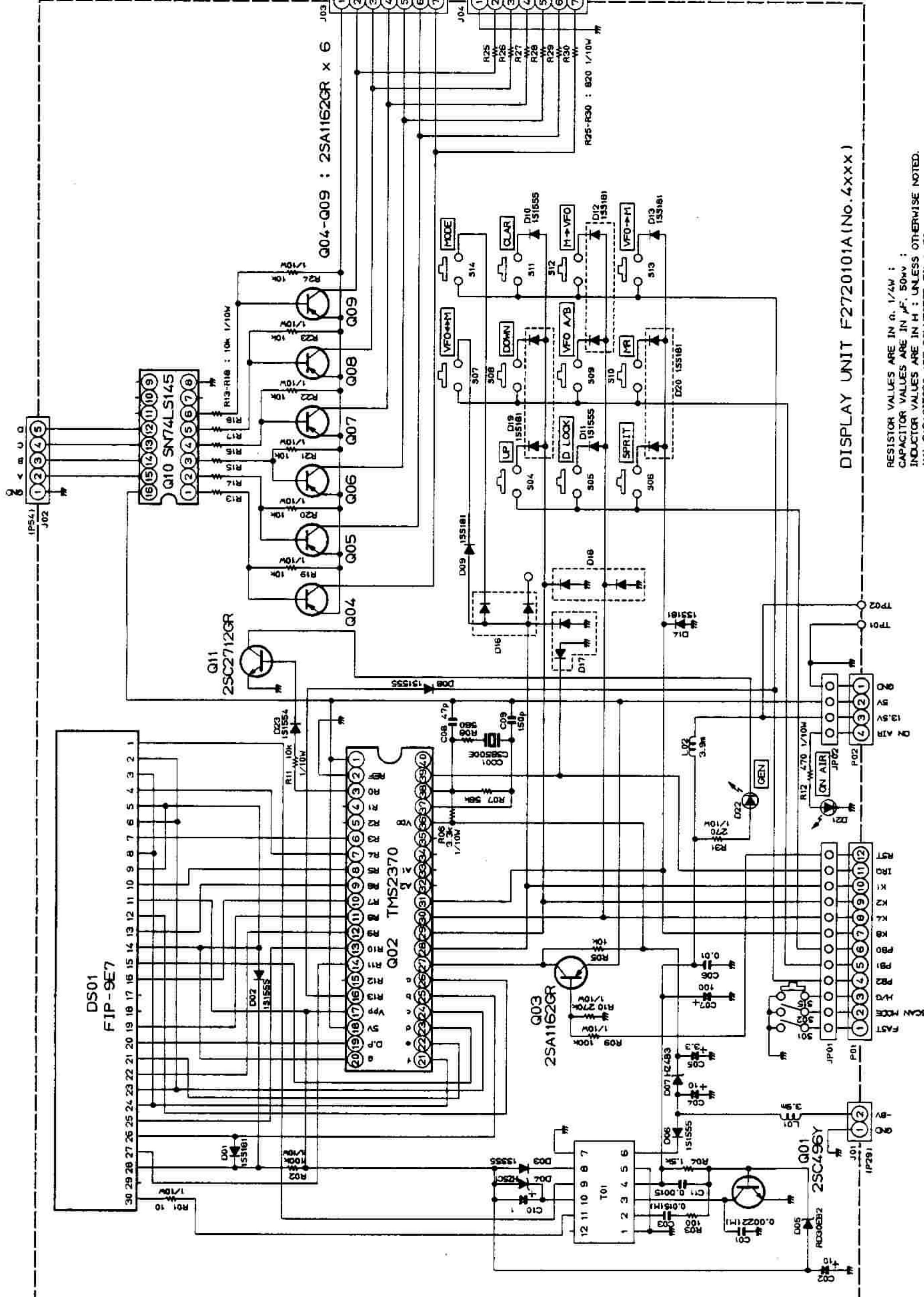


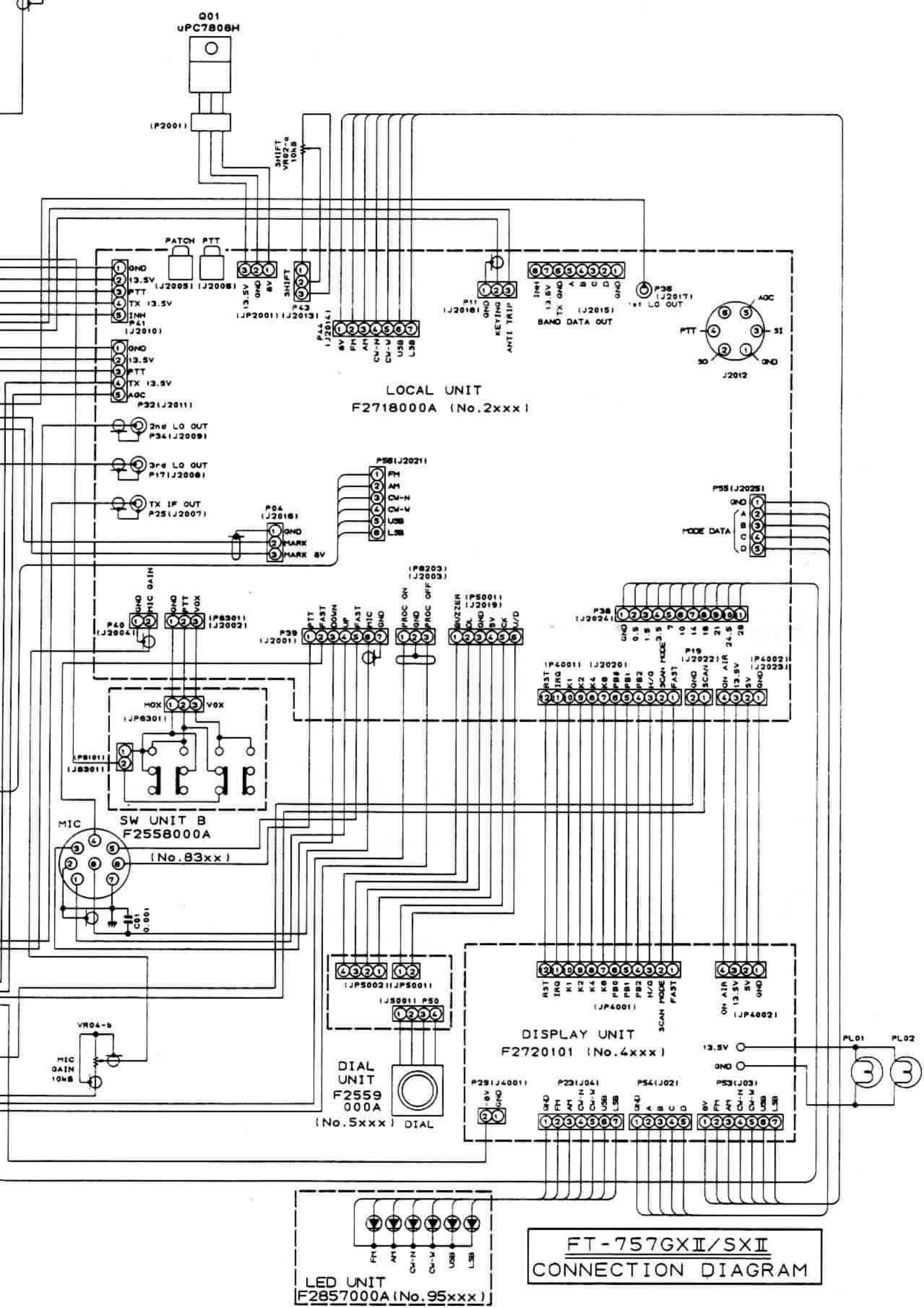
KEYER UNIT F2560000C
(No.80xx)





DISPLAY UNIT F2720101A (No. 4xxx)

RESISTOR VALUES ARE IN Ω , 1/4W ;
 CAPACITOR VALUES ARE IN μ F, 50WV ;
 INDUCTOR VALUES ARE IN H ; UNLESS OTHERWISE NOTED,
 (M) CAPACITORS ARE POLYESTER FILM, 50WV.



**FT-757GXII/SXII
CONNECTION DIAGRAM**

KEYER CNTL UNIT
F2561000 (No. 81xx)

KEYER UNIT
F2560000C
(No. 8xxx)

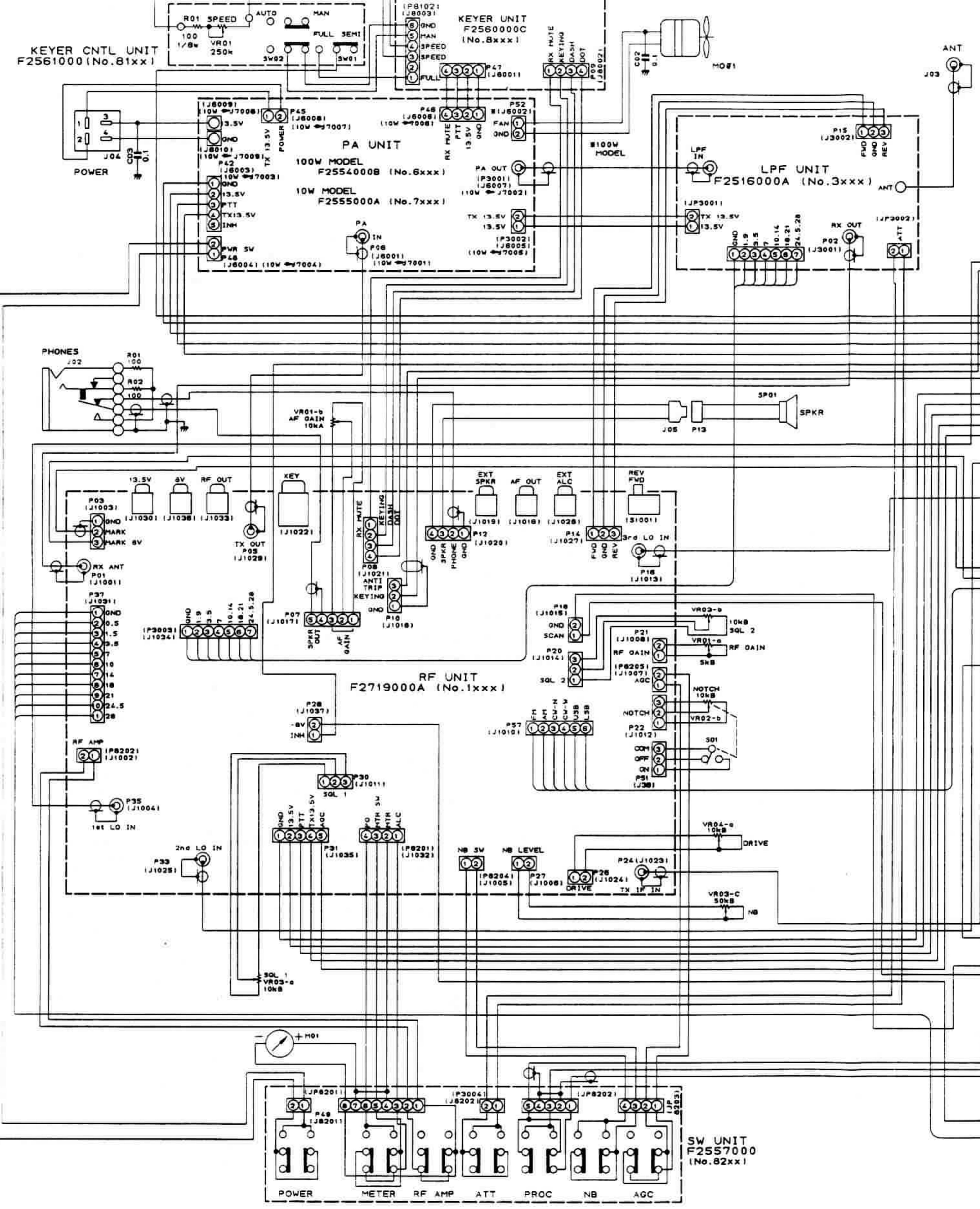
PA UNIT

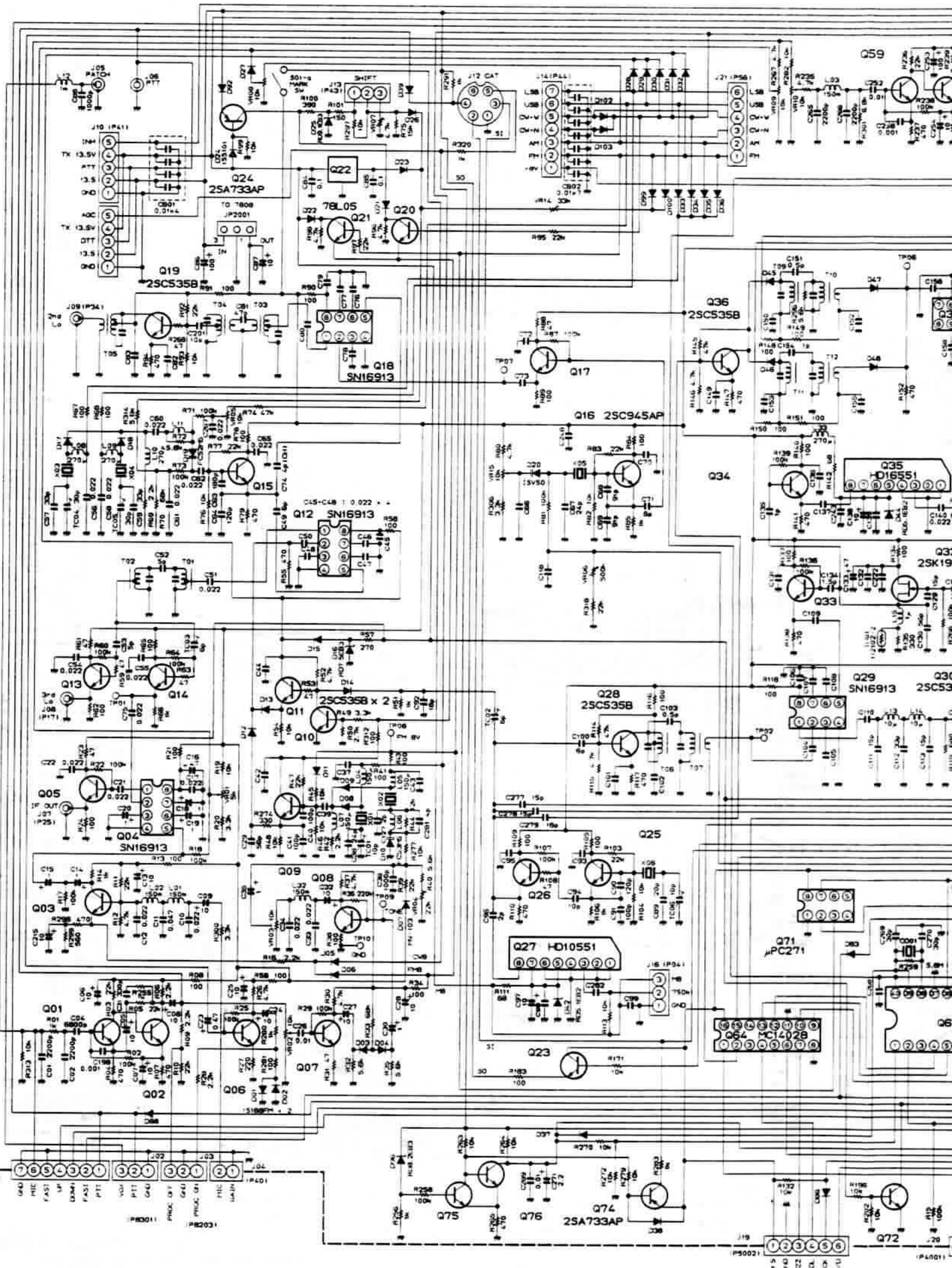
100W MODEL
F2554000B (No. 6xxx)
10W MODEL
F2555000A (No. 7xxx)

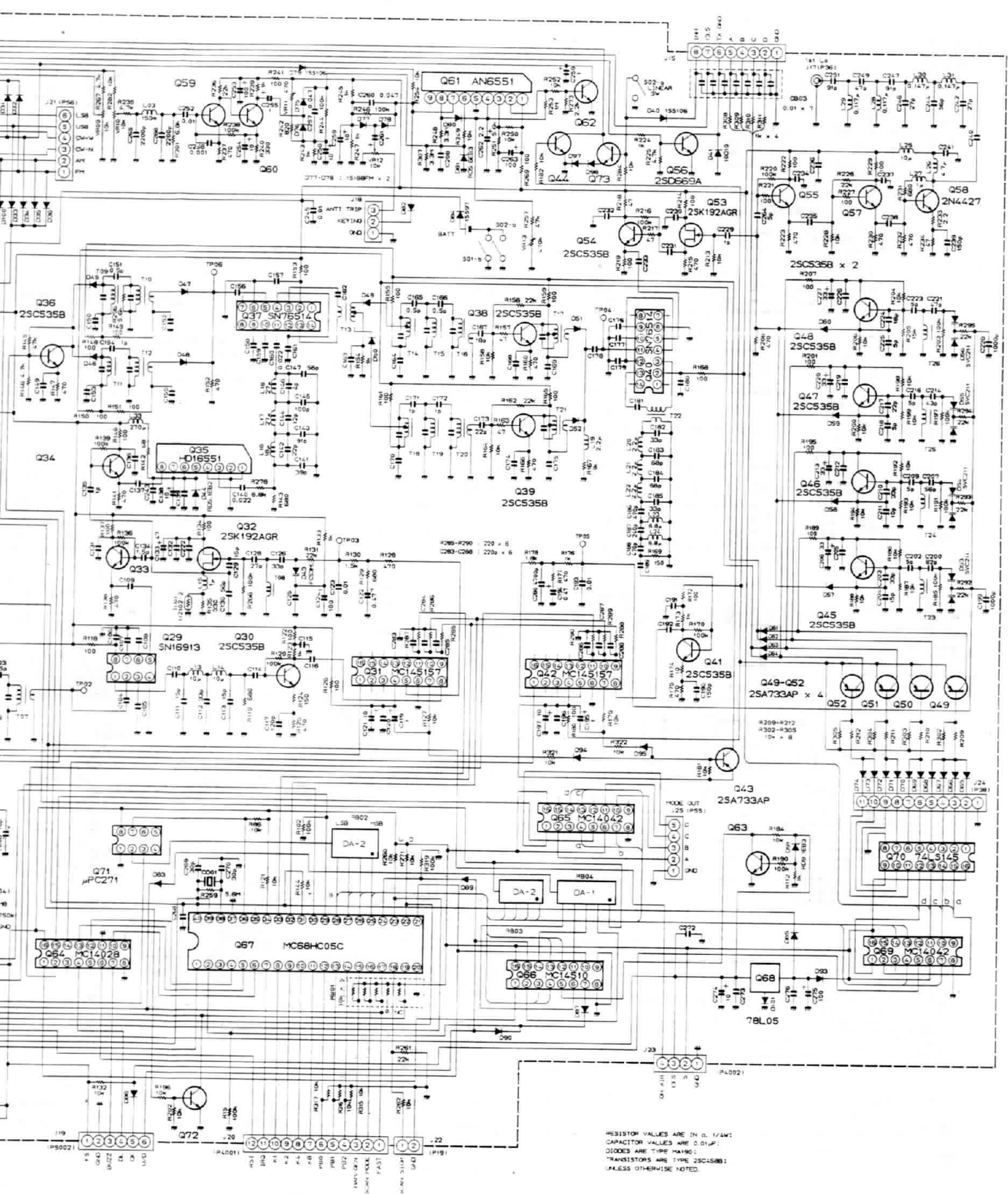
LPF UNIT
F2516000A (No. 3xxx)

RF UNIT
F2719000A (No. 1xxx)

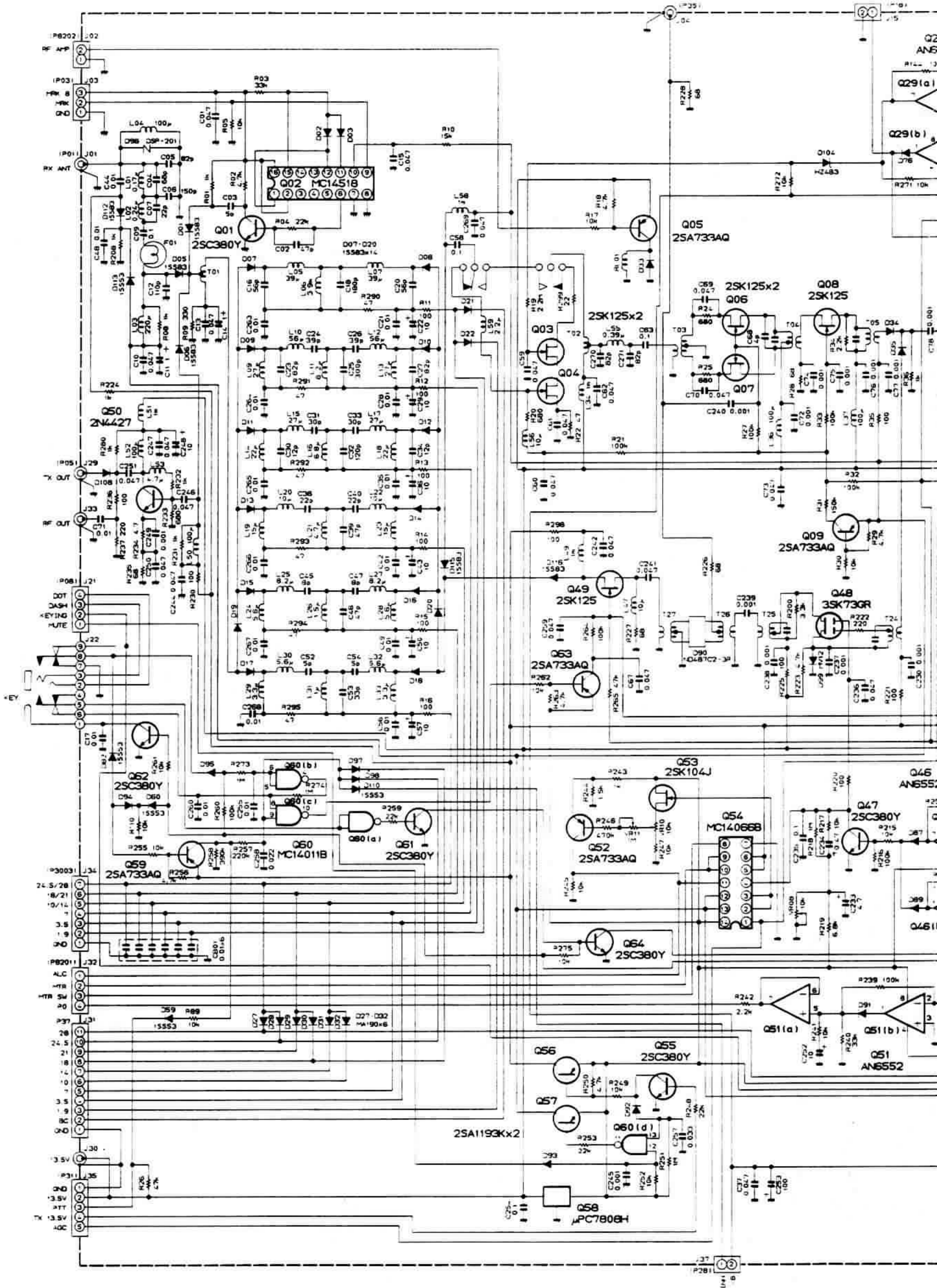
SW UNIT
F2557000
(No. 82xx)

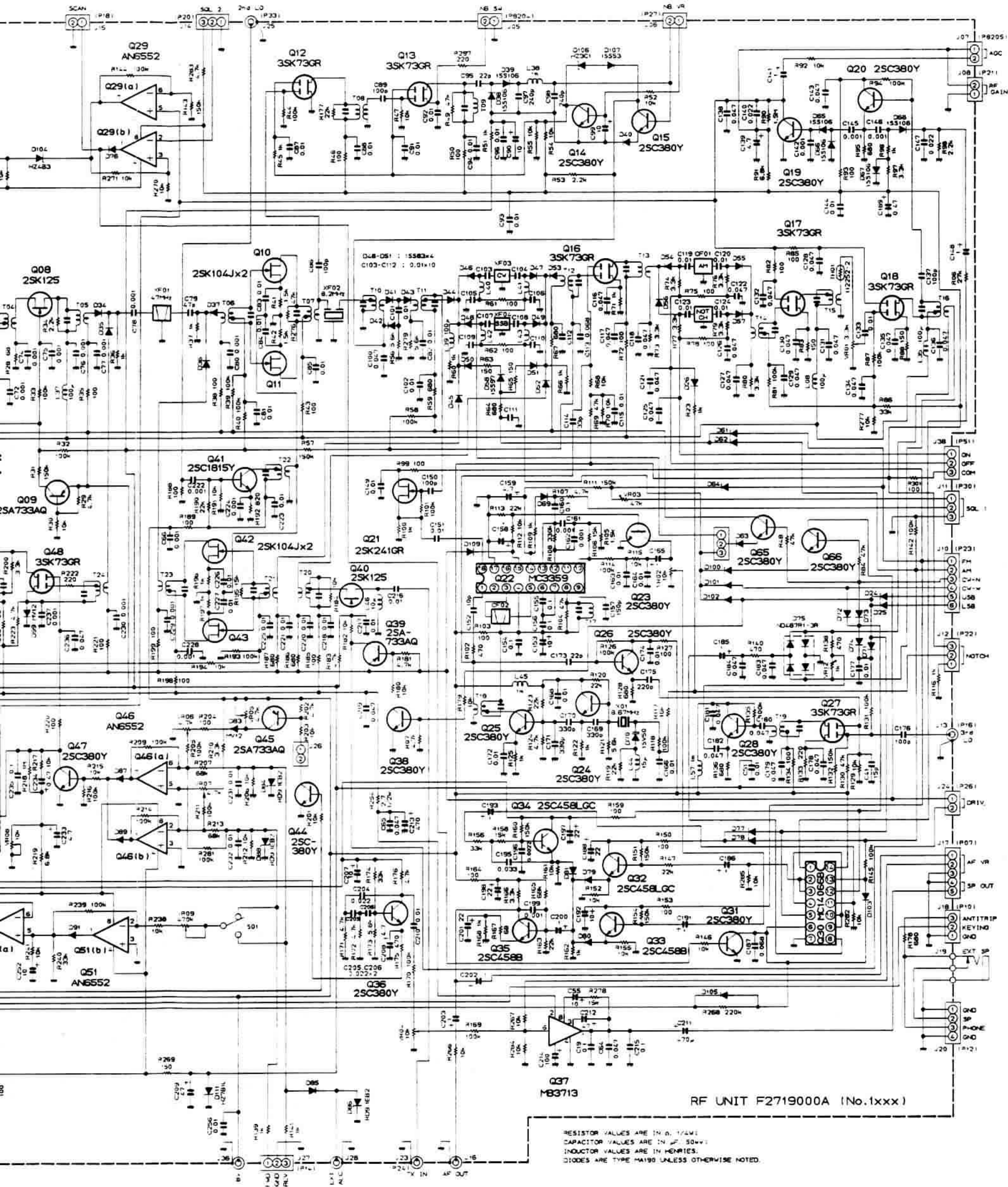






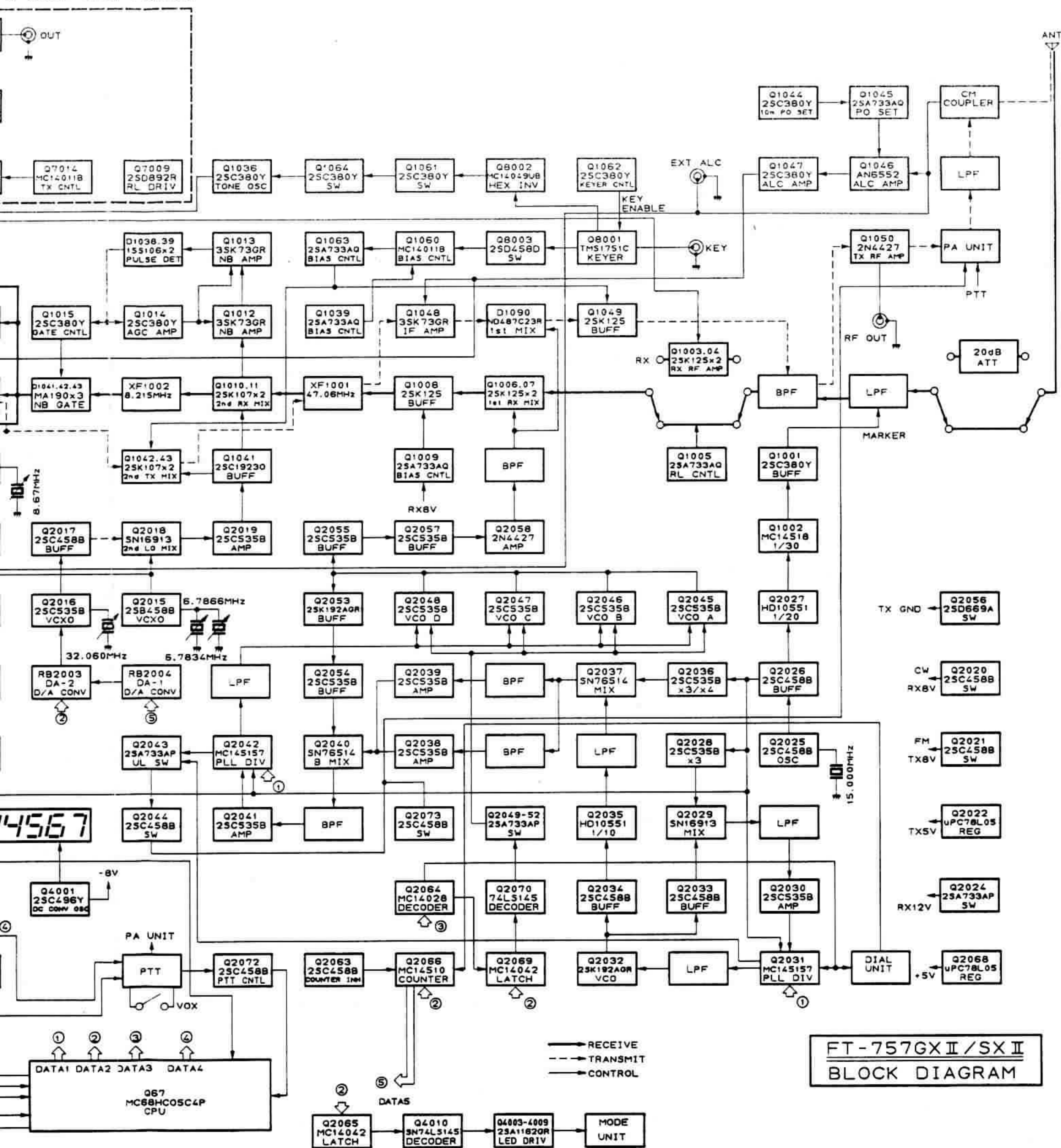
RESISTOR VALUES ARE IN Ω, 1/4W;
 CAPACITOR VALUES ARE 0.01μF;
 DIODES ARE TYPE MA190;
 TRANSISTORS ARE TYPE 2SC158B;
 UNLESS OTHERWISE NOTED.





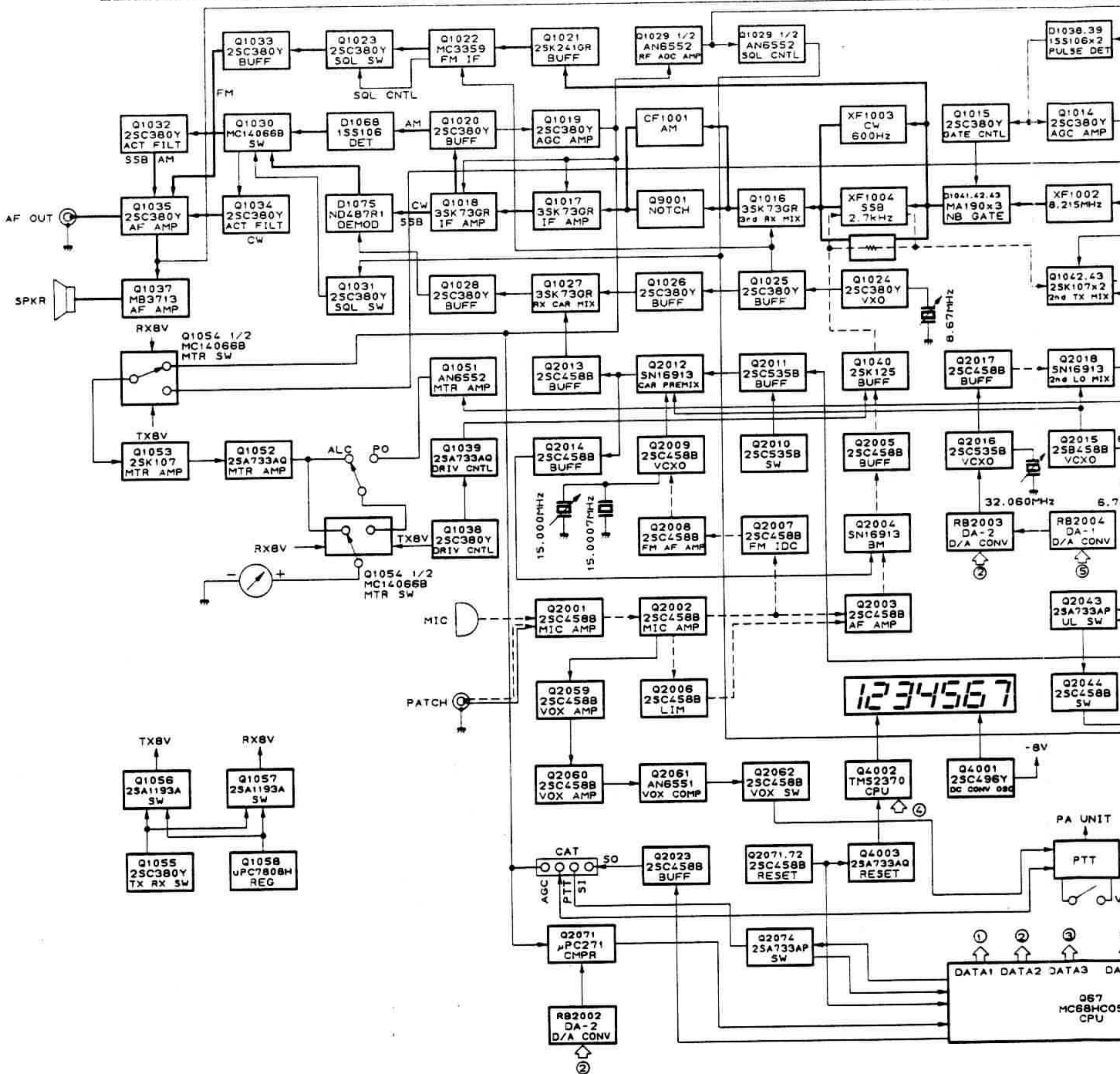
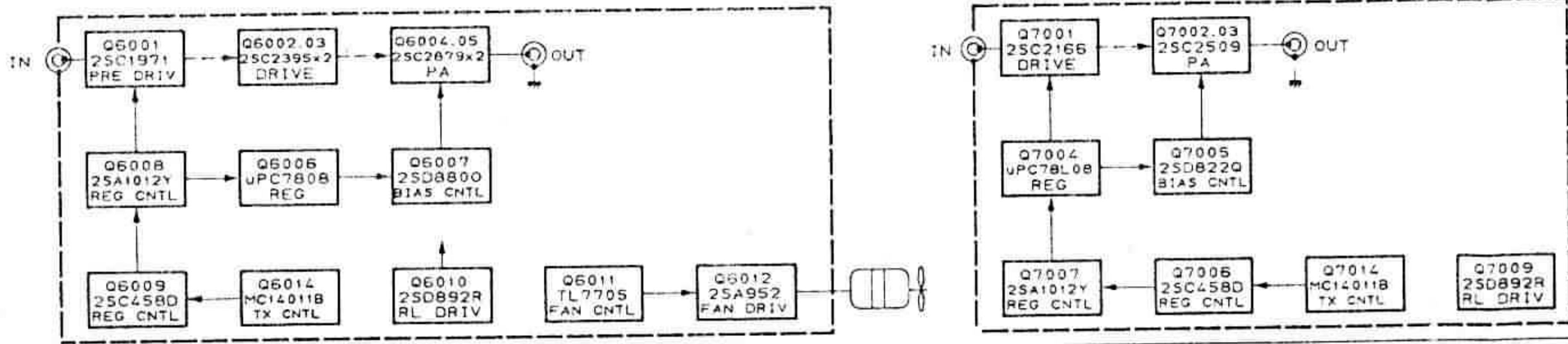
RESISTOR VALUES ARE IN Ω, 1/4W
 CAPACITOR VALUES ARE IN pF, 50V
 INDUCTOR VALUES ARE IN HENRIES.
 DIODES ARE TYPE 1A190 UNLESS OTHERWISE NOTED.

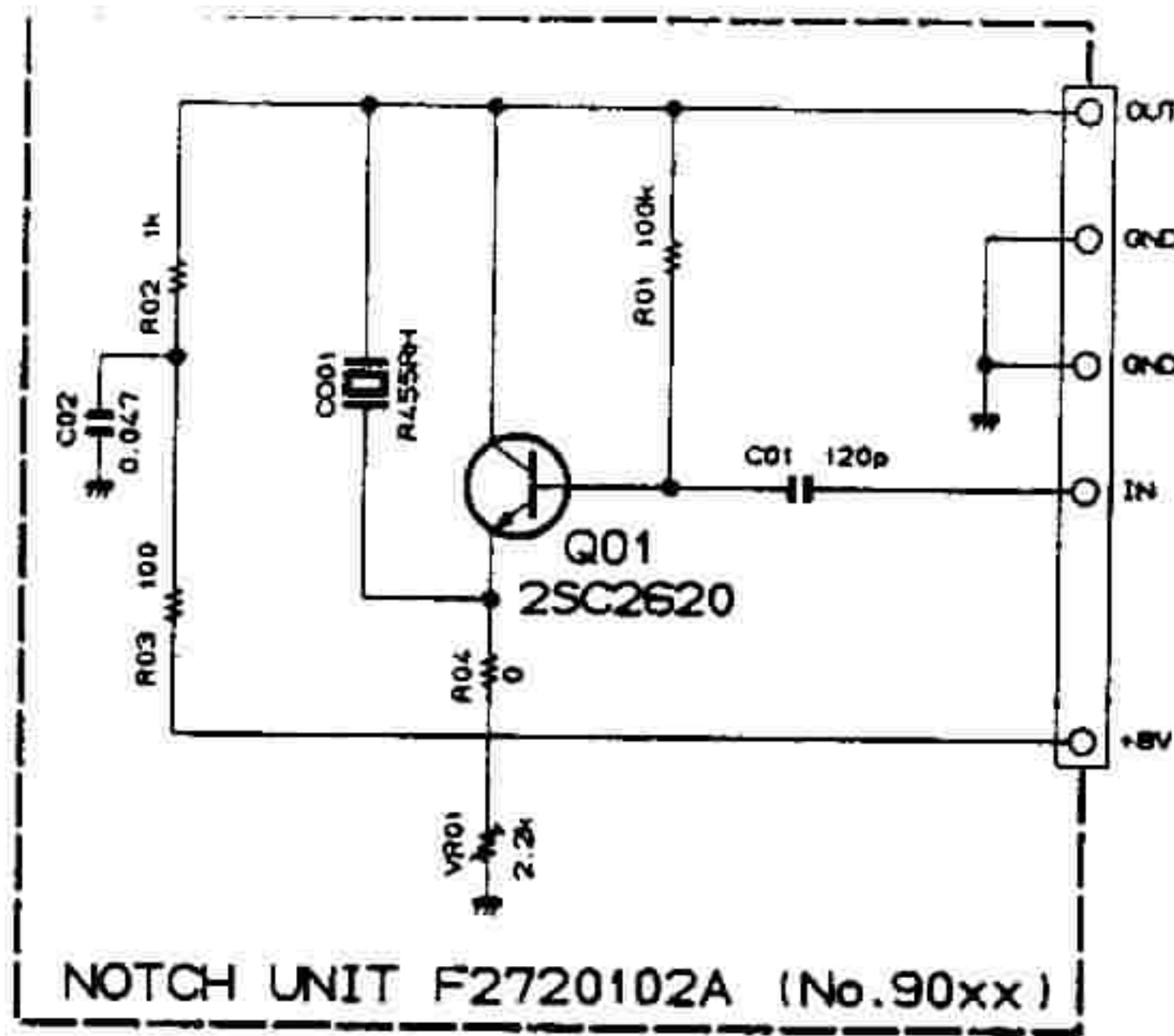
RF UNIT F2719000A (No.1xxx)



100W PA UNIT (100W MODEL)

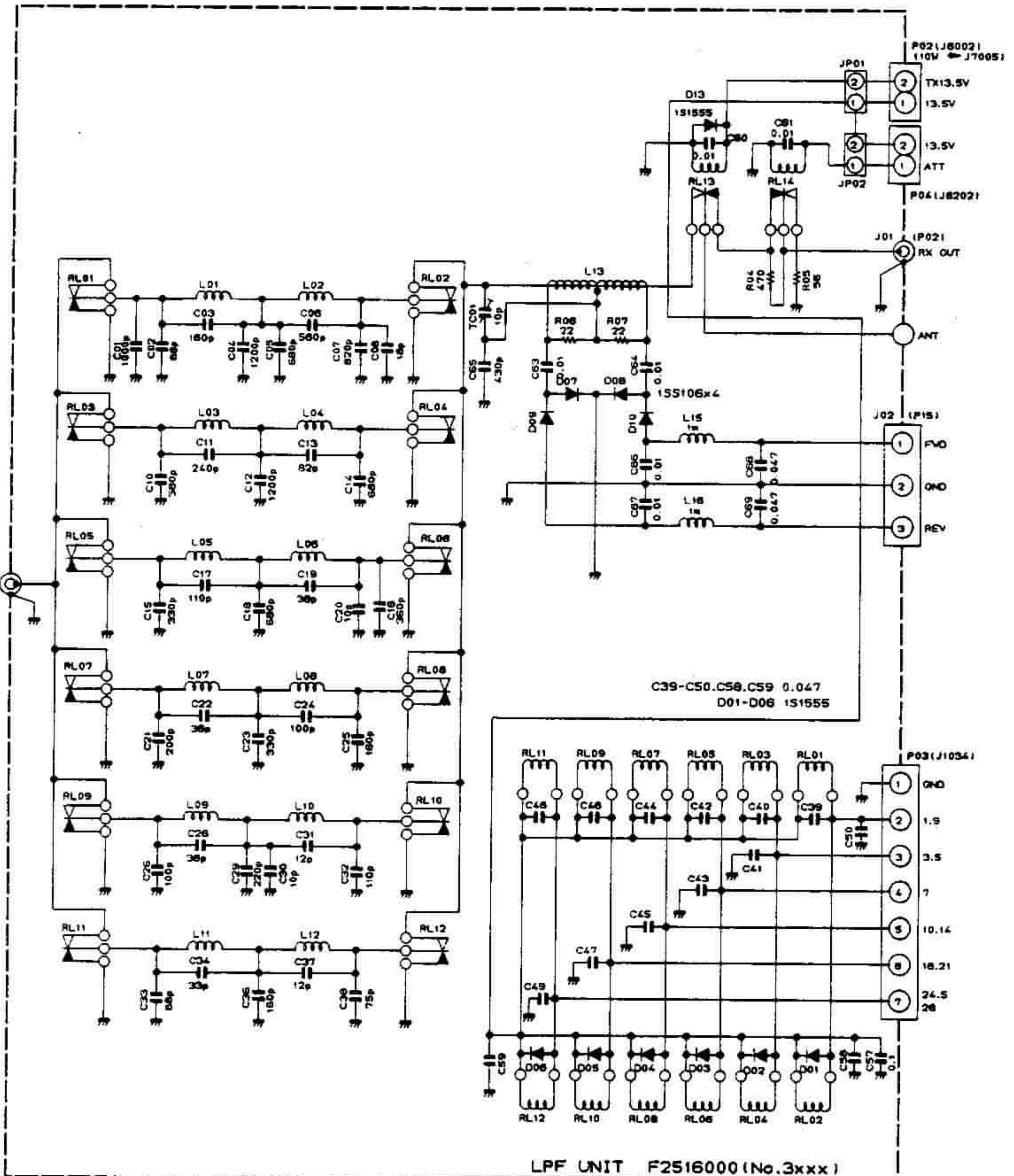
10W PA UNIT (10W MODEL)





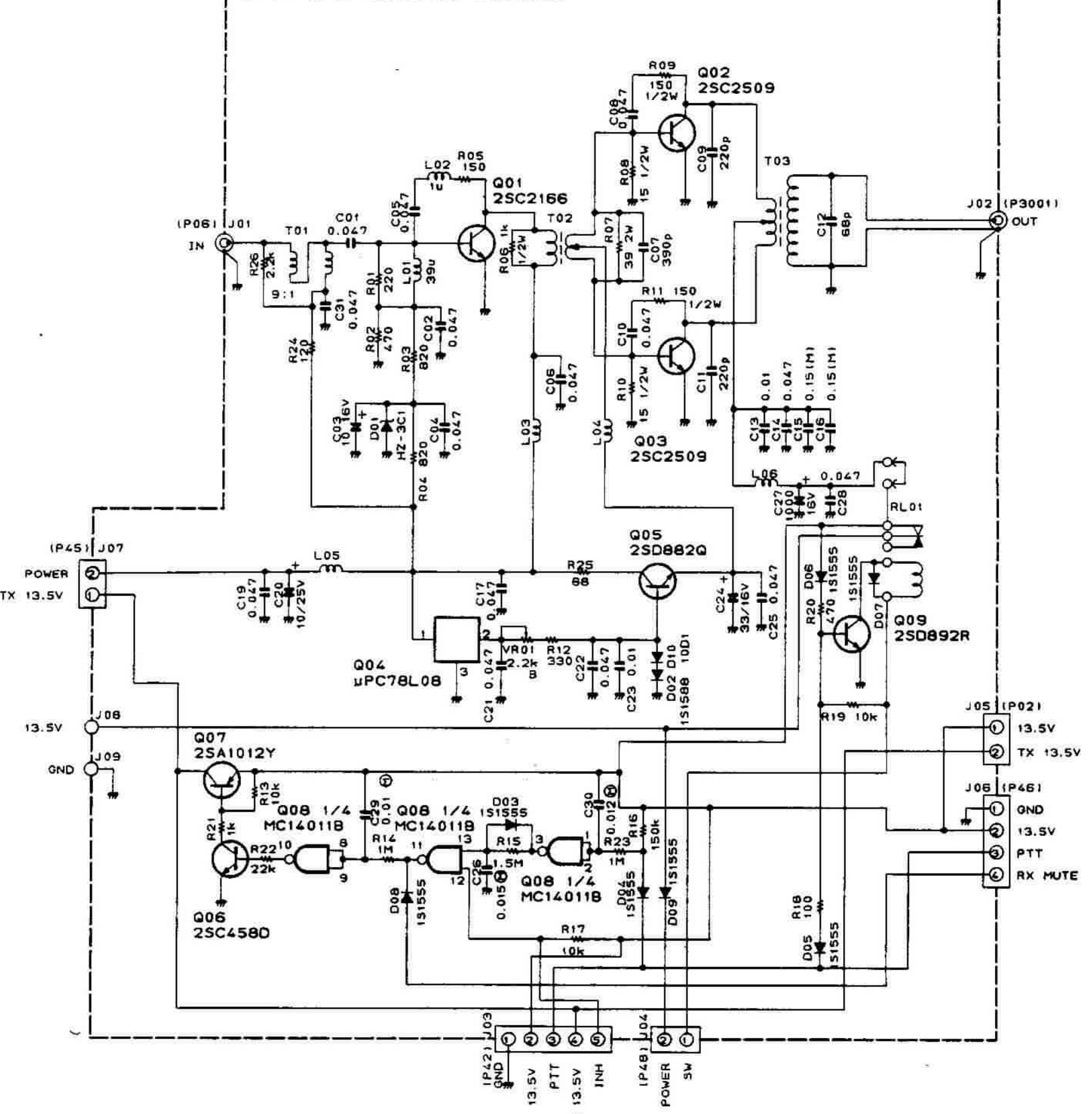
NOTCH UNIT F2720102A (No.90xx)

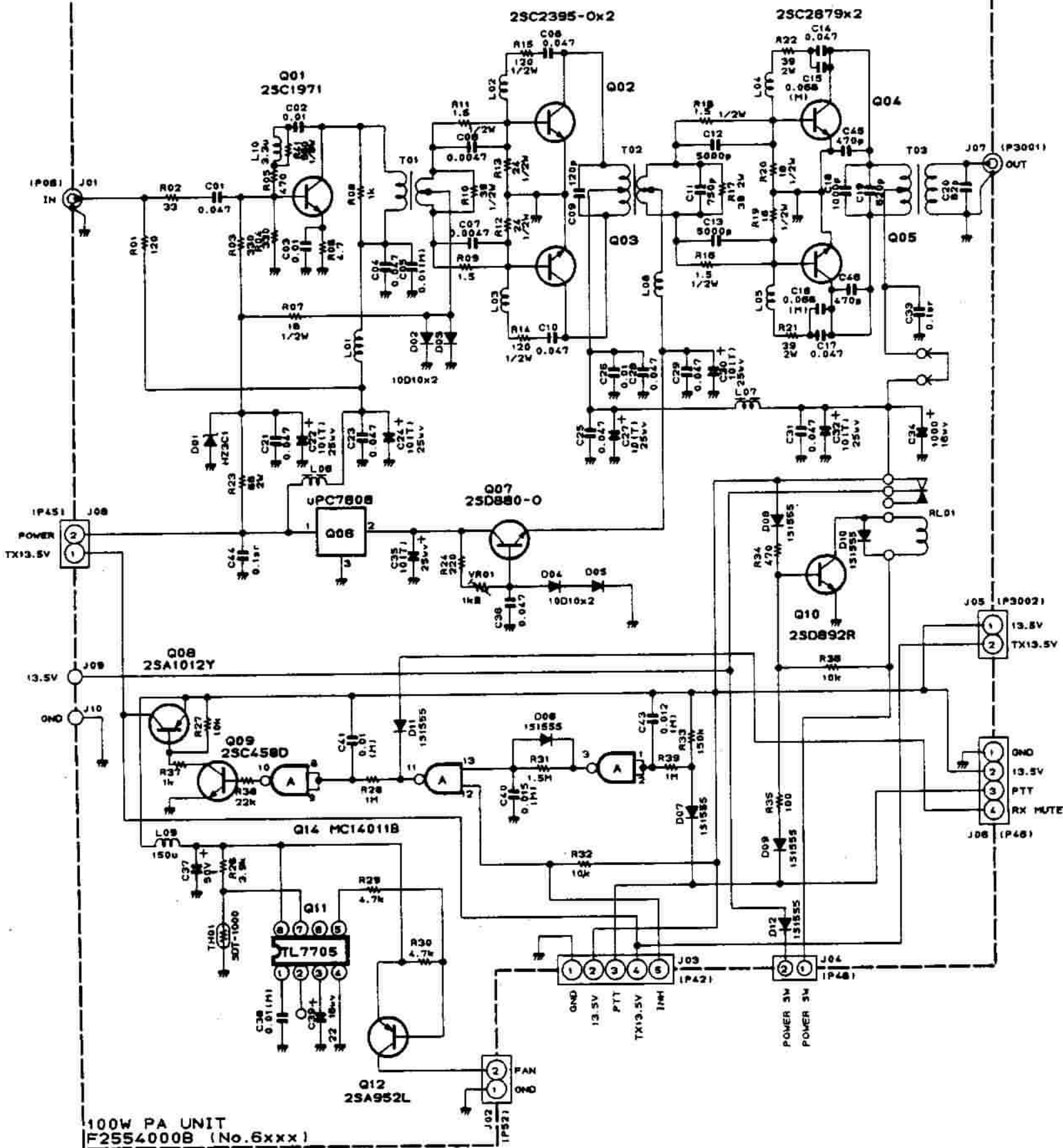
RESISTOR VALUES ARE IN Ω , 1/10W :
CAPACITOR VALUES ARE IN μ F, 50V :
UNLESS OTHERWISE NOTED.



LPF UNIT F2516000 (No.3xxx)

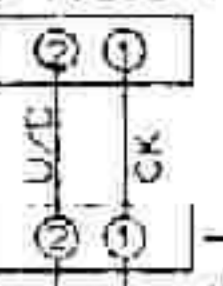
10W PA UNIT F2555000A (No.7xxx)



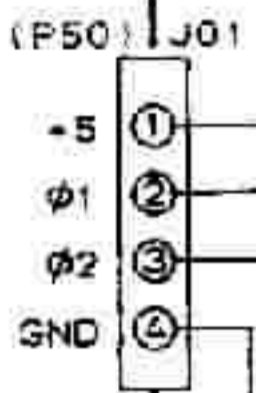
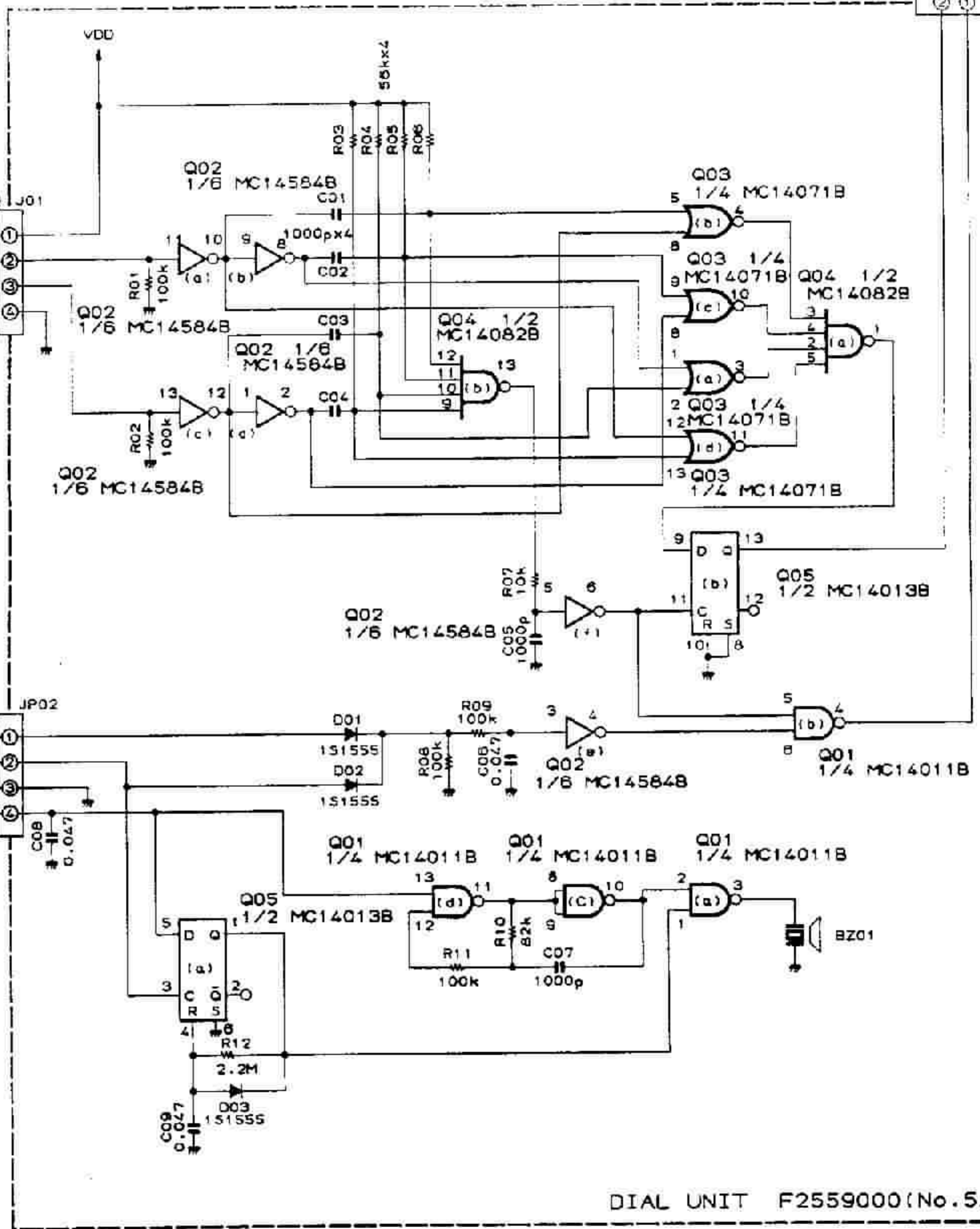


100W PA UNIT
F2554000B (No.6xxx)

P0' (J2021)



JP01



JP02

P02 (J2019)

DIAL UNIT F2559000 (No. 5xxx)