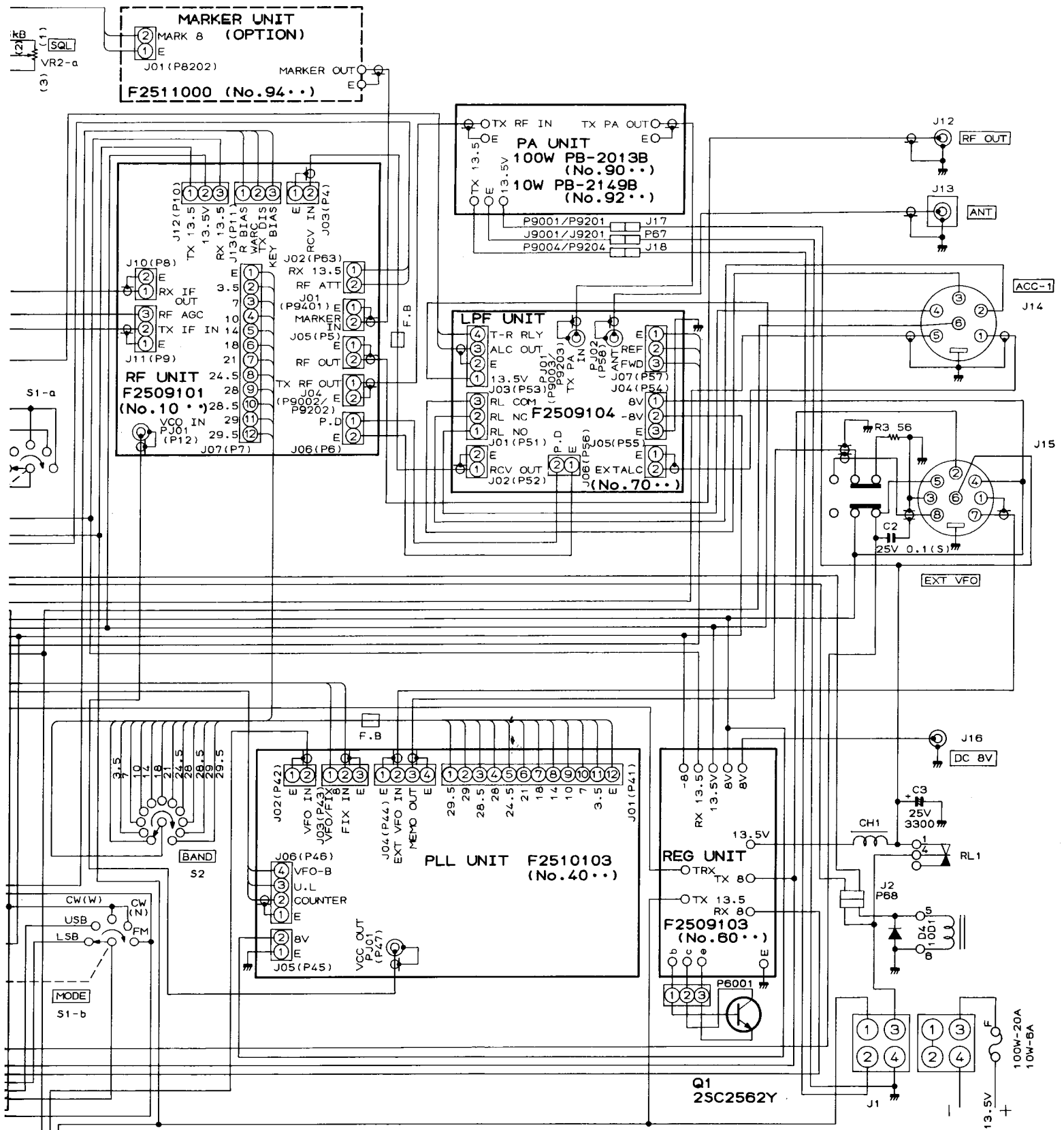
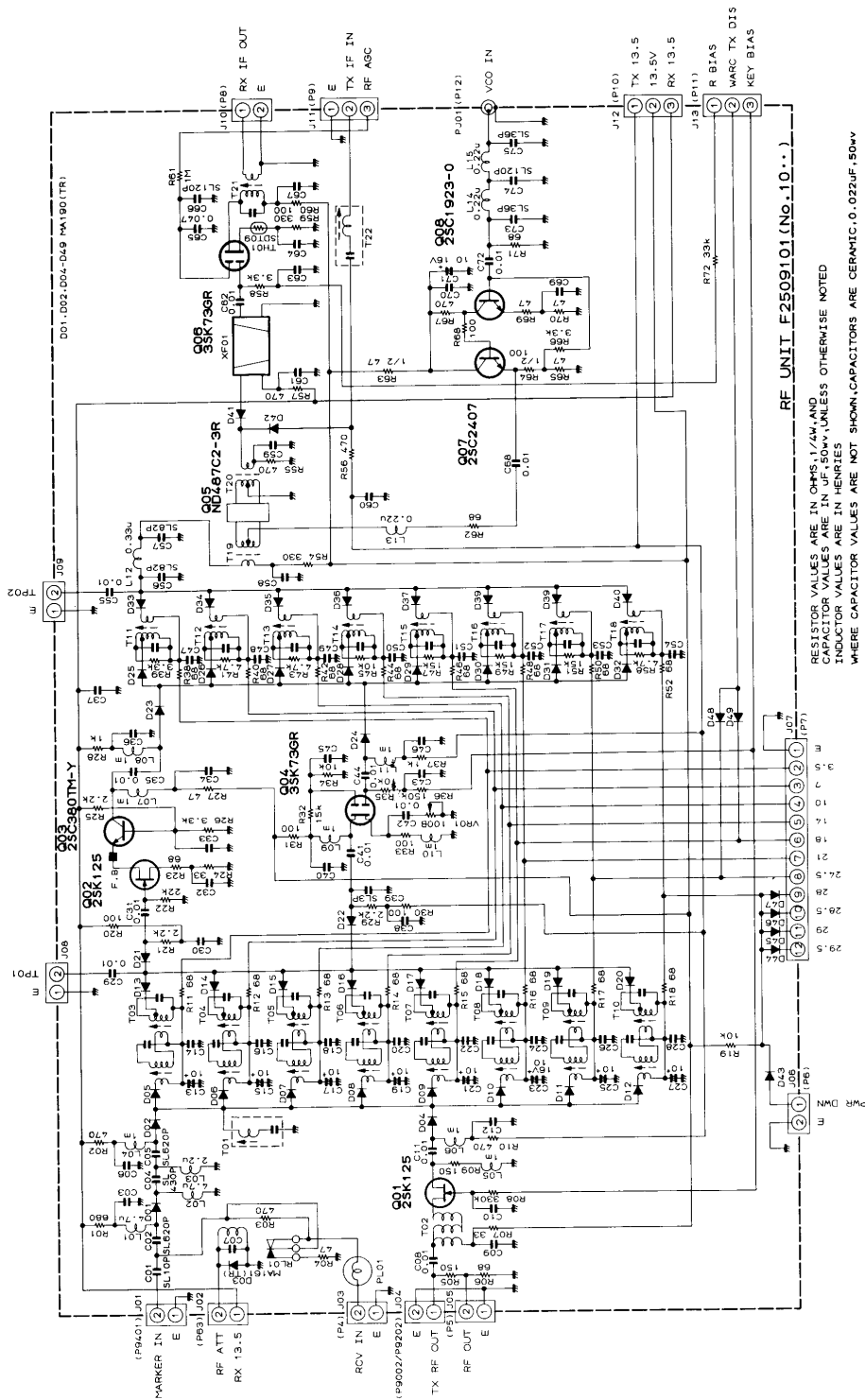
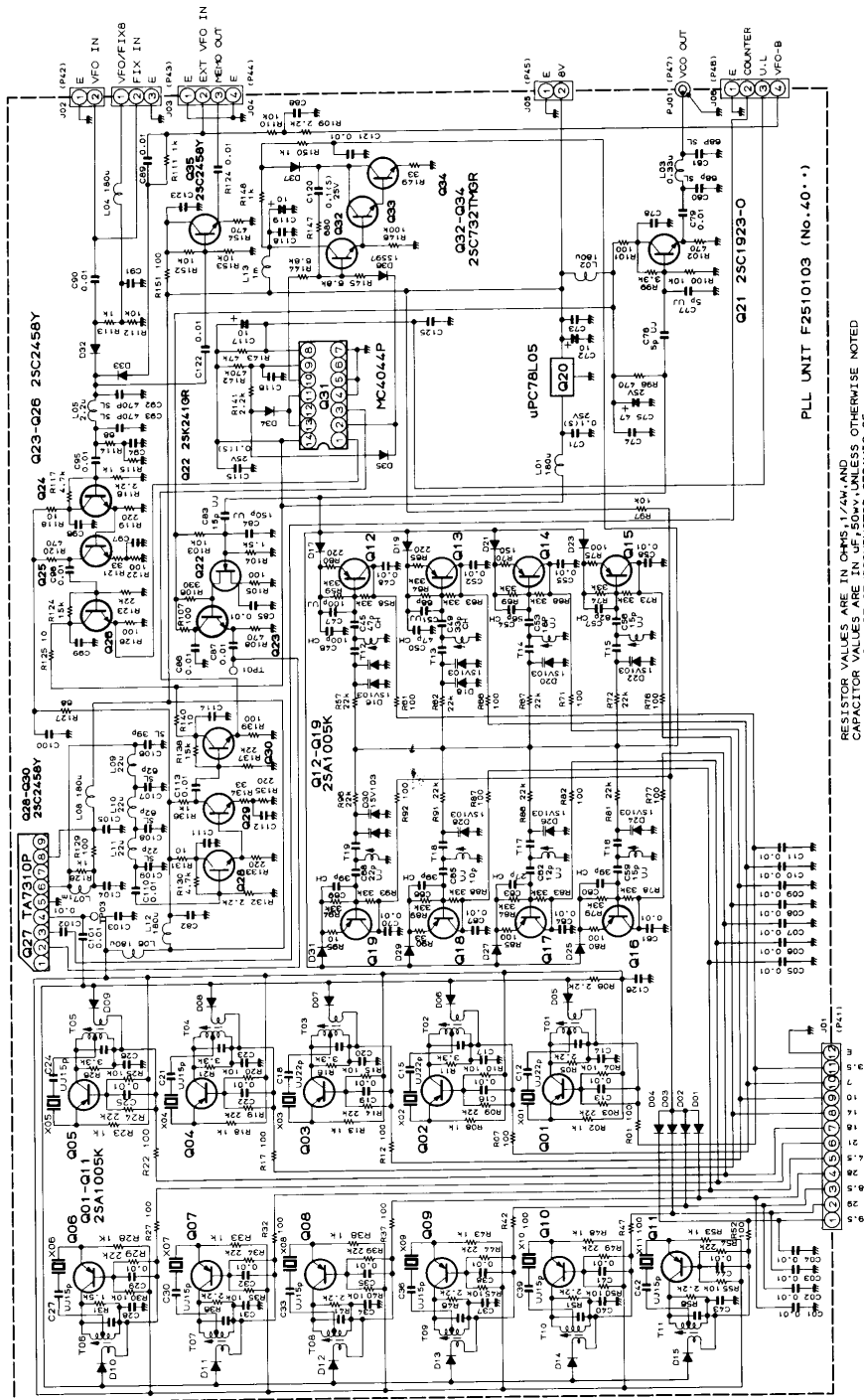


FT-77/77S
BLOCK DIAGRAM

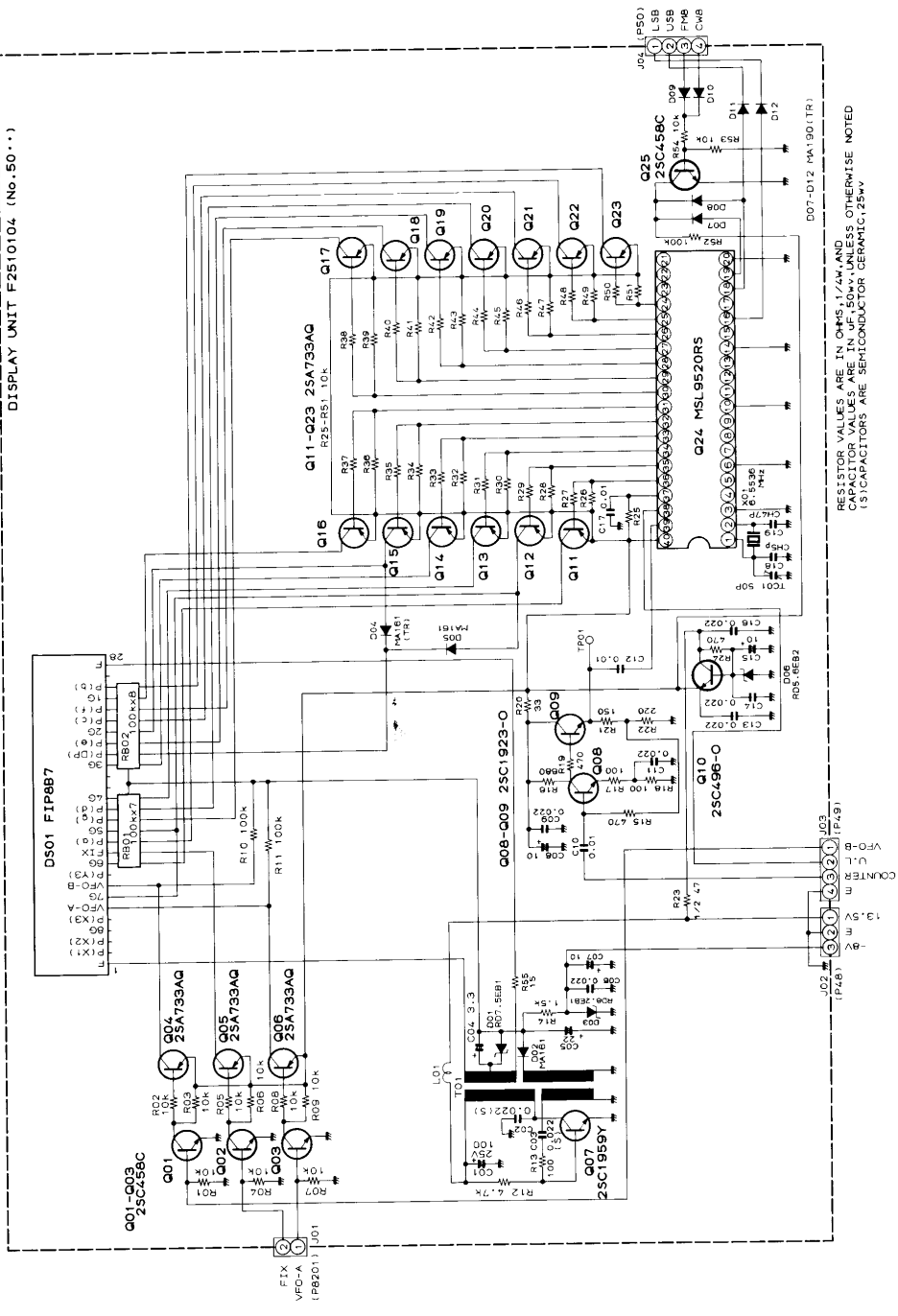


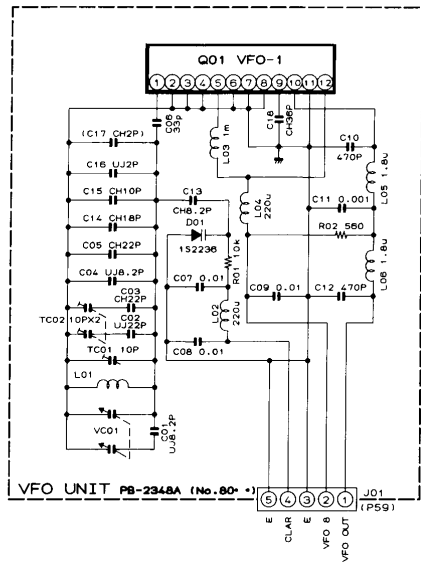
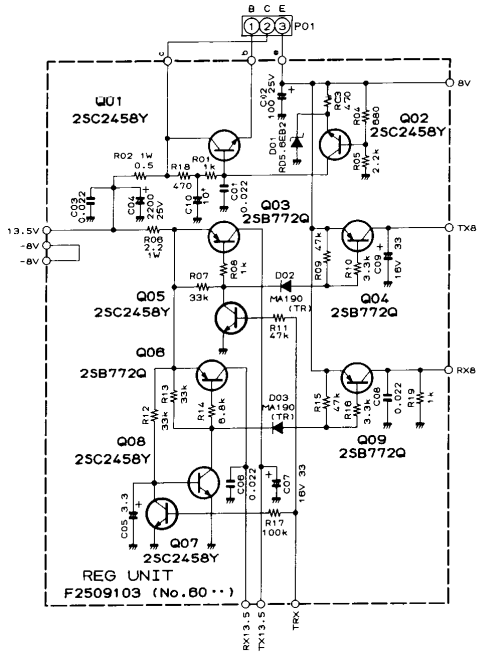
**FT-77/77S
WIRING DIAGRAM**





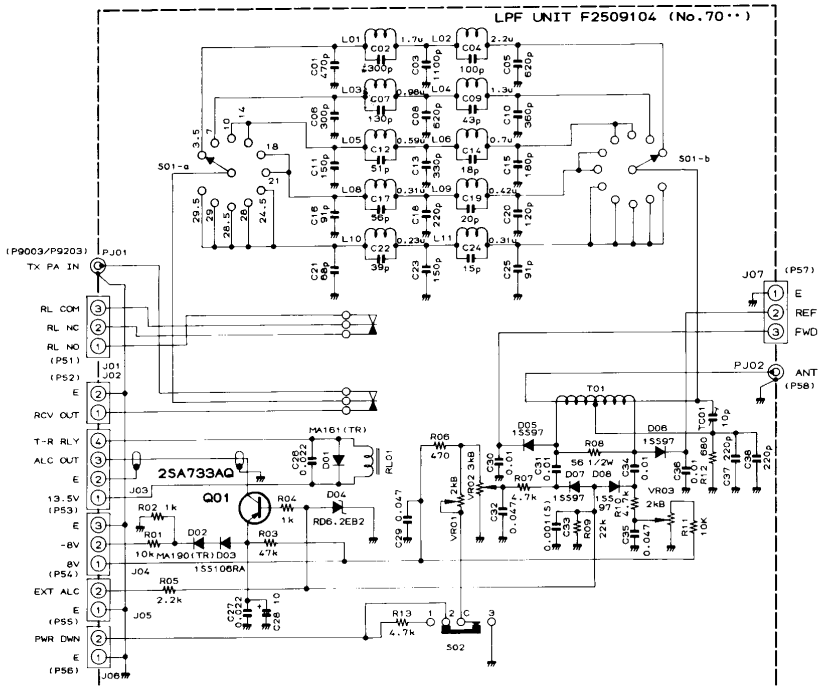
DISPLAY UNIT F2510104 (NO.50...)



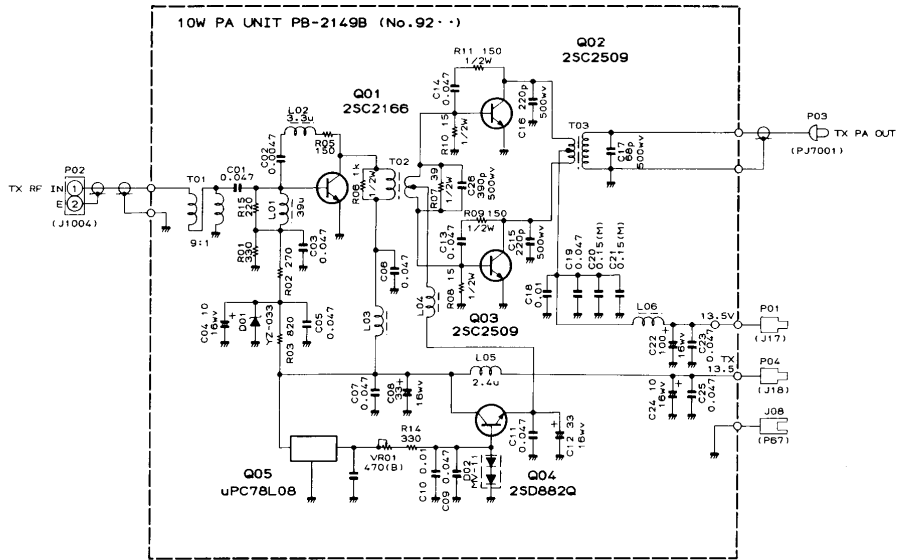


RESISTOR VALUES ARE IN OHMS, 1/4W, AND CAPACITOR VALUES ARE IN UF, 50V, UNLESS OTHERWISE NOTED

RESISTOR VALUES ARE IN OHMS, 1/4W, AND CAPACITOR VALUES ARE IN UF, 50V, UNLESS OTHERWISE NOTED INDUCTOR VALUES ARE IN HENRIES UNLESS OTHERWISE NOTED

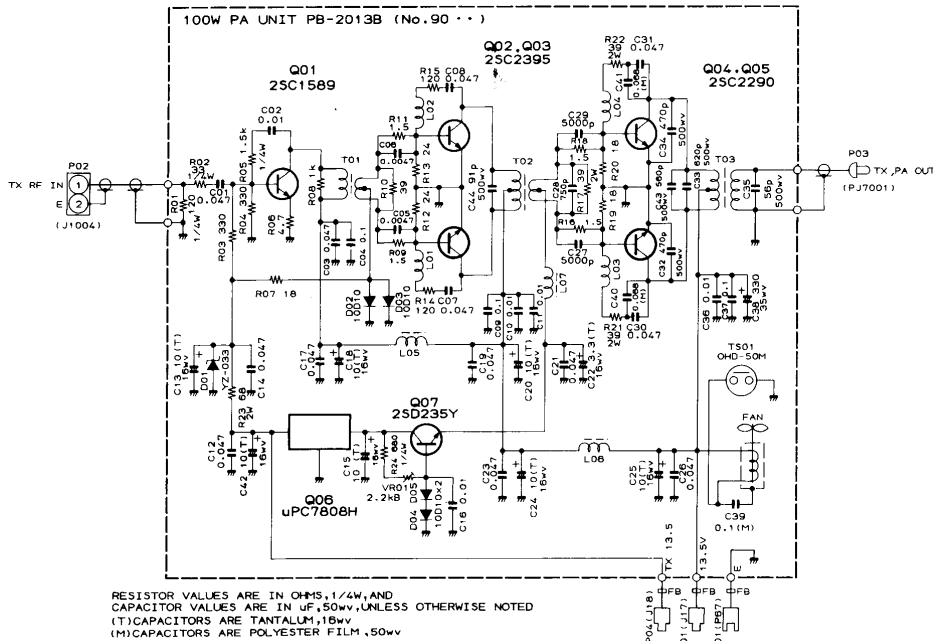


RESISTOR VALUES ARE IN OHMS, 1/4W, AND CAPACITOR VALUES ARE IN UF, 50V, UNLESS OTHERWISE NOTED (S) CAPACITORS ARE SEMICONDUCTOR CERAMIC, 25V INDUCTOR VALUES ARE IN HENRIES



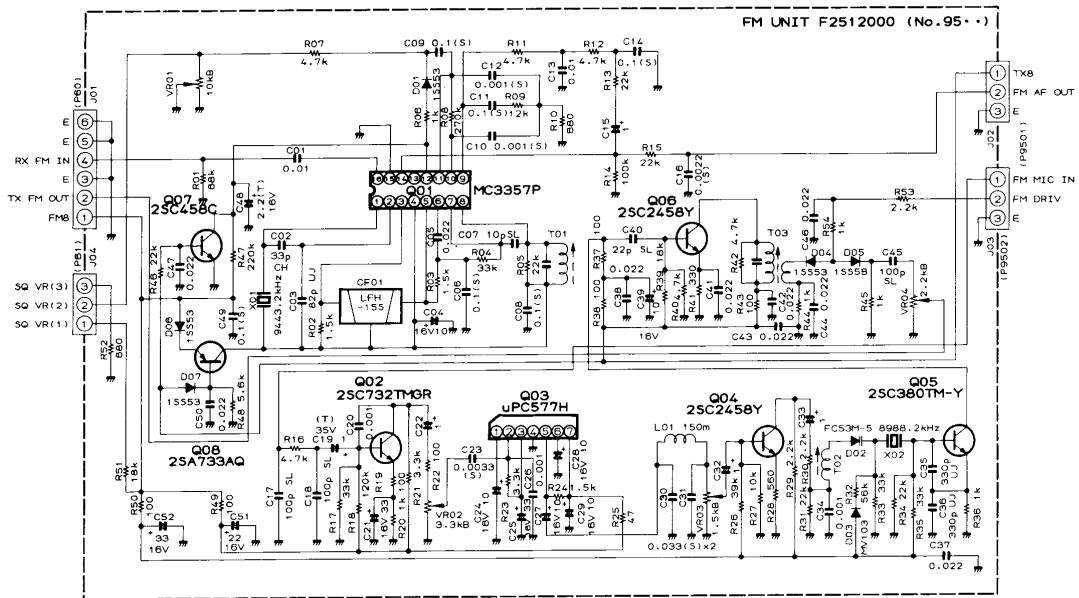
RESISTOR VALUES ARE IN OHMS, 1/4W, AND CAPACITOR VALUES ARE IN μ F, 50V, UNLESS OTHERWISE NOTED (M) CAPACITORS ARE POLYESTER FILM, 50V

10W PA UNIT
CIRCUIT DIAGRAM

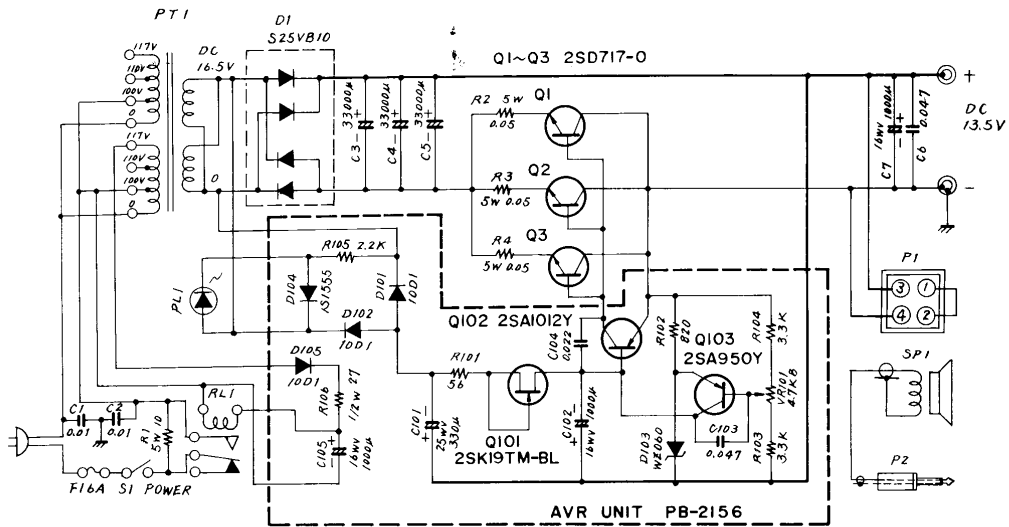


RESISTOR VALUES ARE IN OHMS, 1/4W, AND CAPACITOR VALUES ARE IN μ F, 50V, UNLESS OTHERWISE NOTED (T) CAPACITORS ARE TANTALUM, 18V (M) CAPACITORS ARE POLYESTER FILM, 50V

100W PA UNIT
CIRCUIT DIAGRAM



RESISTOR VALUES ARE IN OHMS, 1/4W, AND CAPACITOR VALUES ARE IN μ F, 50V (EXCEPT ELECTROLYTIC) INDUCTOR VALUES ARE IN H UNLESS OTHERWISE NOTED
 (T) CAPACITORS ARE TANTALUM
 (S) CAPACITORS ARE SEMICONDUCTOR CERAMIC, 25V



FP - 700
CIRCUIT DIAGRAM