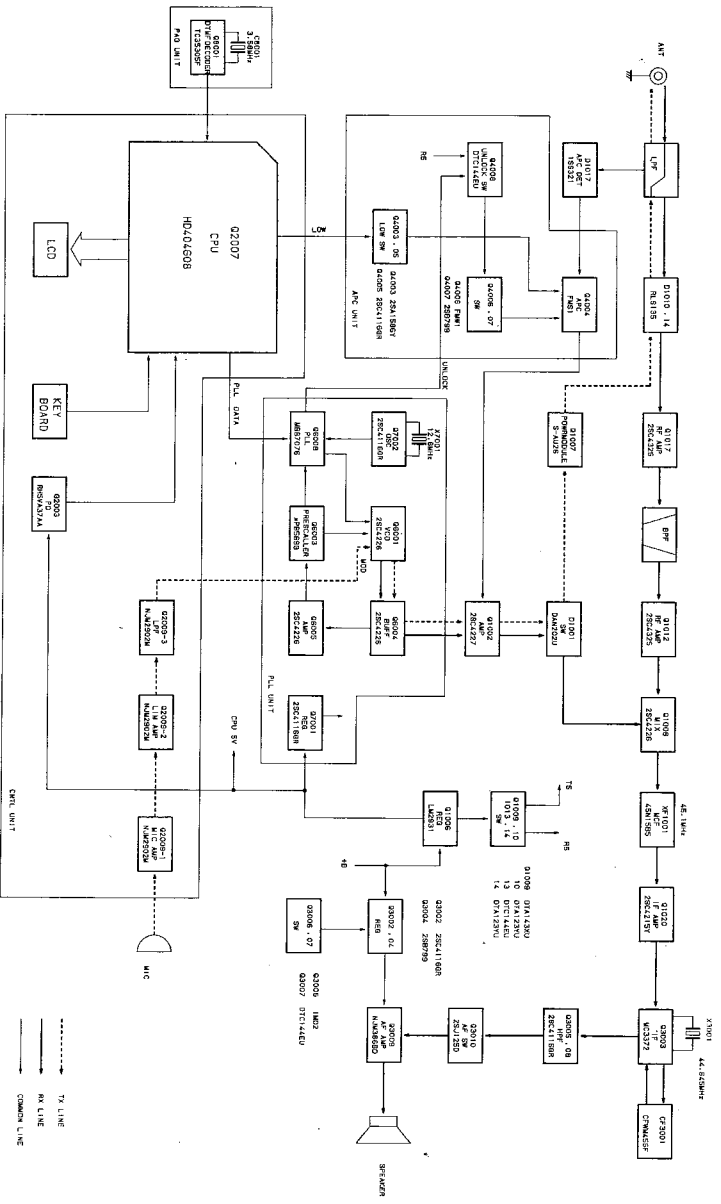
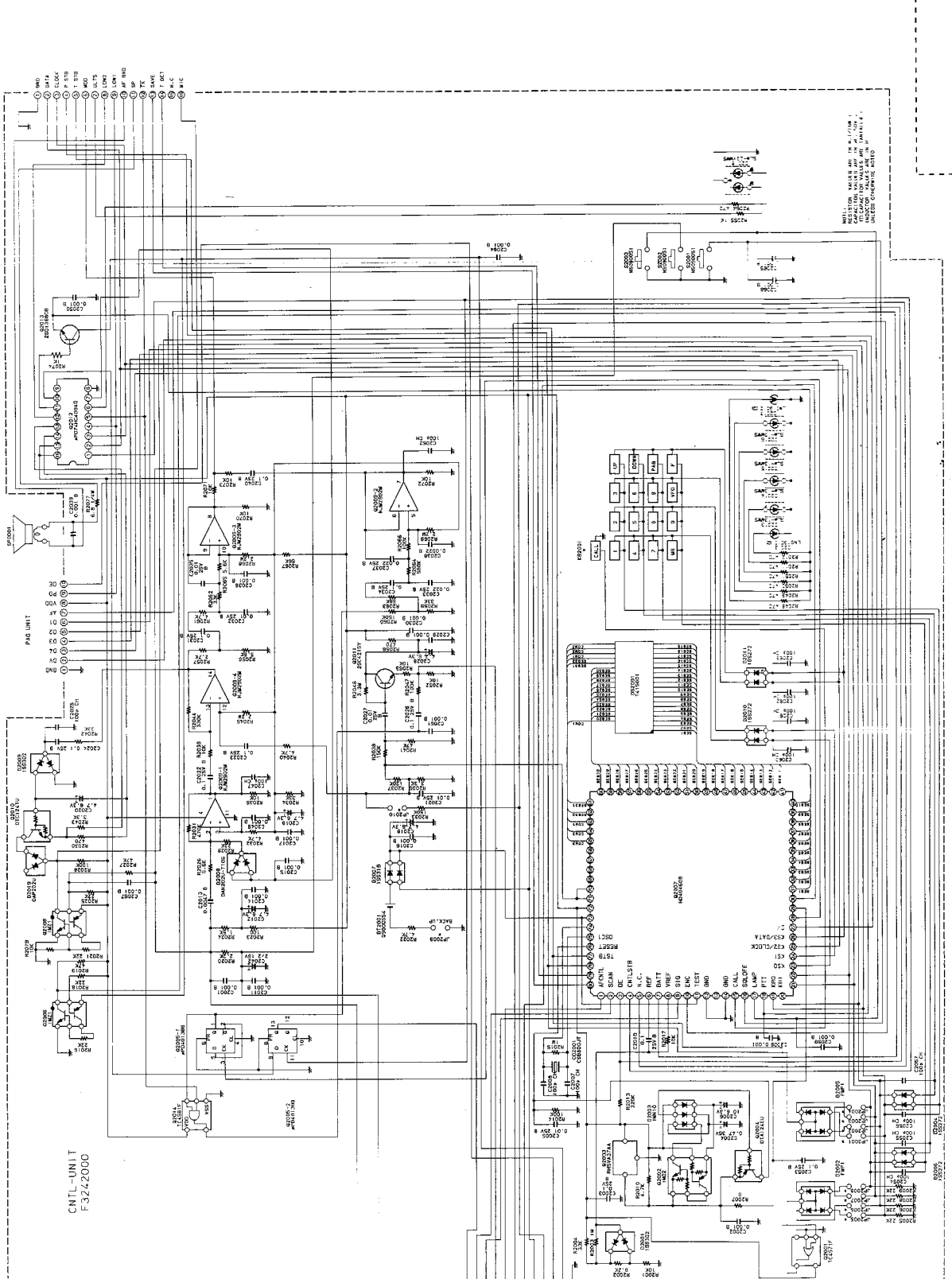


NOTE: PARTS AND VALUES ARE IN PARENTHESES.
 PARTS AND VALUES ARE IN PARENTHESES.
 UNLESS OTHERWISE NOTED.



— T1 LINE
 - - - M LINE
 - · - COMMON LINE



CNTRL - UNIT
F3242000

- ① MND
- ② DATA
- ③ CLOCK
- ④ T. 1 B1B
- ⑤ MND
- ⑥ CDS
- ⑦ LAMP
- ⑧ LAMP
- ⑨ AF B1B
- ⑩ BK
- ⑪ BK
- ⑫ SAVE
- ⑬ F. BKT
- ⑭ B. C
- ⑮ B. C

PAG UNIT

DISPLAY

CONTROL

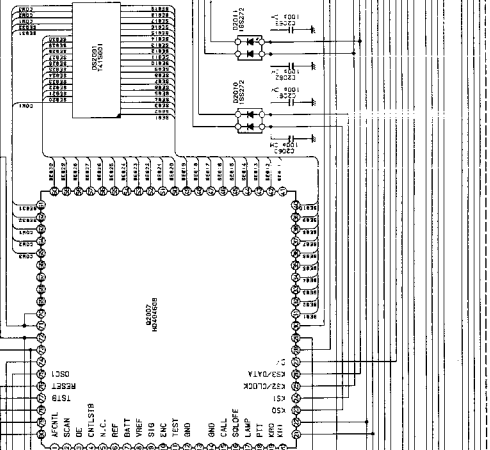
CONTROL

CONTROL

CONTROL

NOTE: ALL CONNECTIONS MUST BE MADE IN ACCORDANCE WITH THE WIRING DIAGRAMS AND THE INSTRUCTIONS MANUAL FOR THE INDICATOR PANEL AND THE INDICATOR CONTROL UNIT.

- AF MND
- AF DATA
- AF CLOCK
- AF T. 1 B1B
- AF MND
- AF CDS
- AF LAMP
- AF LAMP
- AF AF B1B
- AF BK
- AF BK
- AF SAVE
- AF F. BKT
- AF B. C
- AF B. C



80001

80002

80003

80004

80005

80006

80007

80008

80009

80010

80011

80012

80013

80014

80015

80016

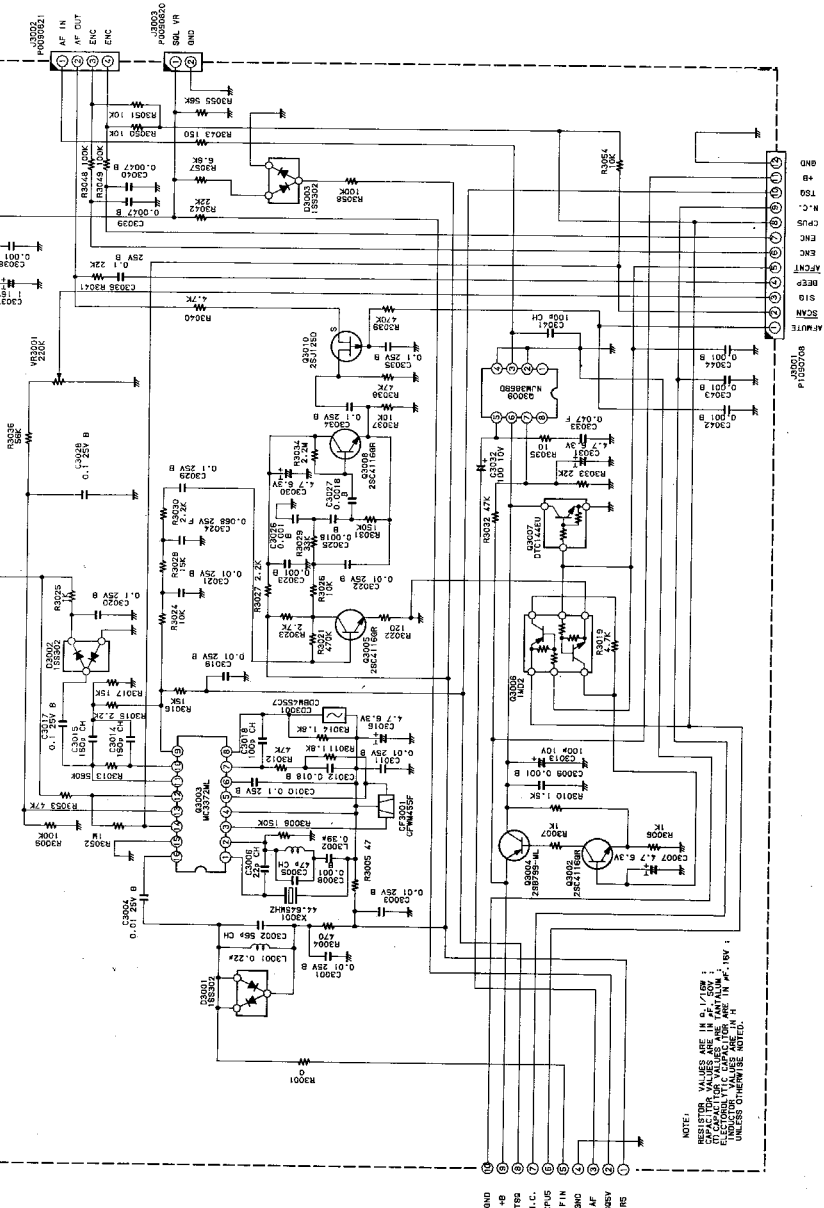
80017

80018

80019

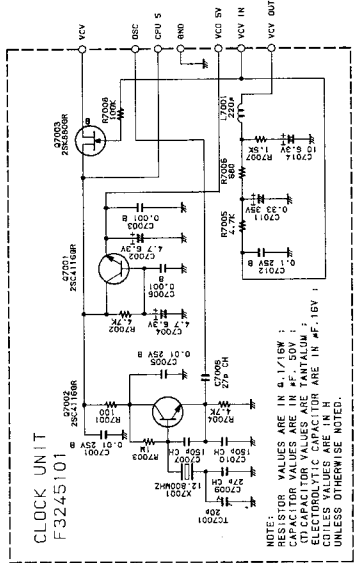
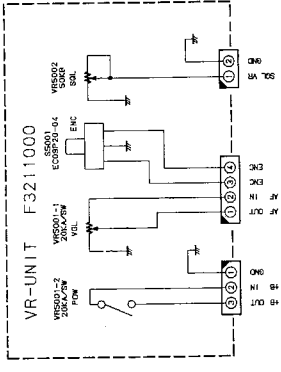
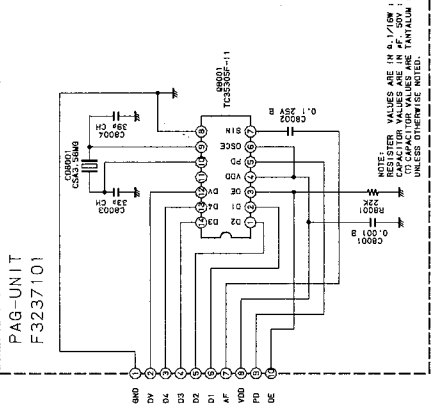
80020

IF UNIT F3246102



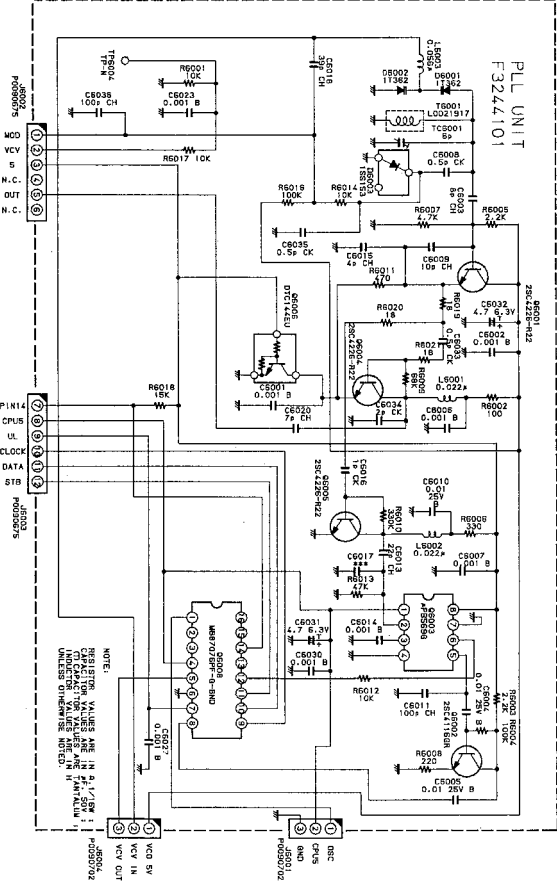
NOTE:
RESISTOR VALUES ARE IN OHMS UNLESS OTHERWISE INDICATED.
CAPACITOR VALUES ARE IN P.F./50V UNLESS OTHERWISE INDICATED.
ELECTRICAL CHARACTERISTICS AND ALUMINUM TERMINALS ARE AS SHOWN UNLESS OTHERWISE INDICATED.

4B0
4B1
4B2
4B3
4B4
4B5
4B6
4B7
4B8
4B9
4B10
4B11
4B12
4B13
4B14
4B15
4B16
4B17
4B18
4B19
4B20
4B21
4B22
4B23
4B24
4B25
4B26
4B27
4B28
4B29
4B30
4B31
4B32
4B33
4B34
4B35
4B36
4B37
4B38
4B39
4B40
4B41
4B42
4B43
4B44
4B45
4B46
4B47
4B48
4B49
4B50



FT-815 Circuit Diagram

PLL UNIT
F3244101



APC-UNIT
F3244102

