

Figure 1

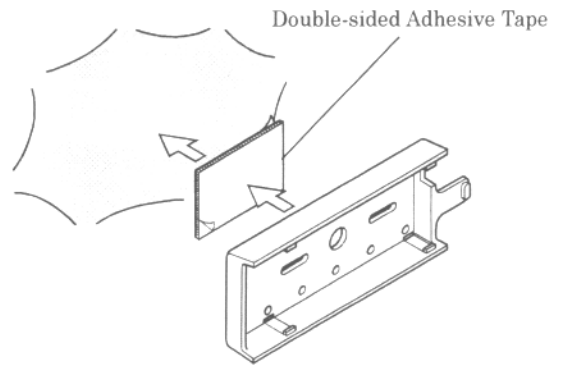


Figure 5

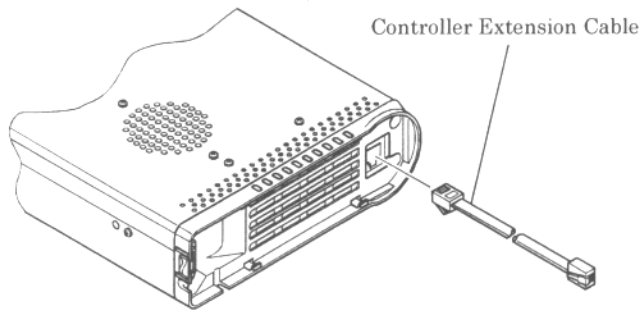


Figure 2

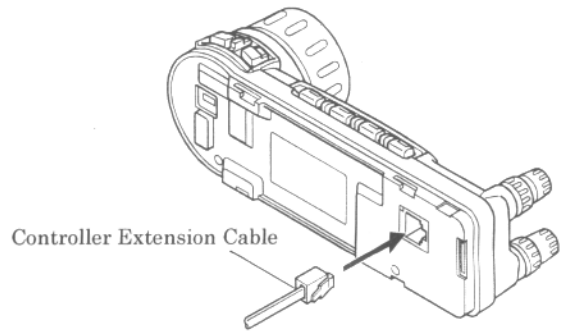


Figure 6

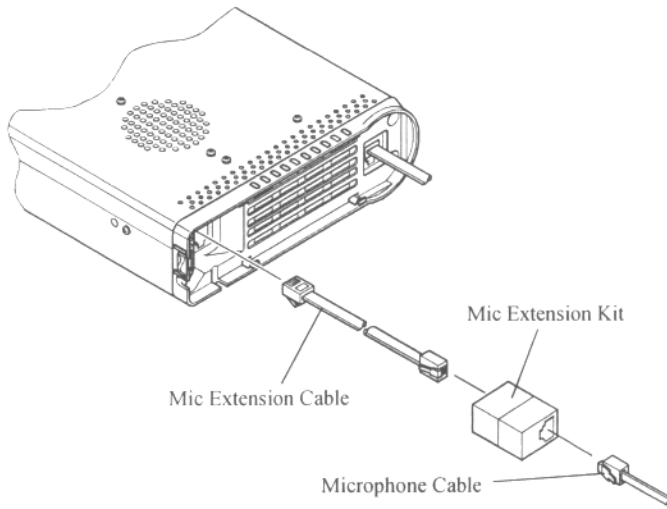


Figure 3

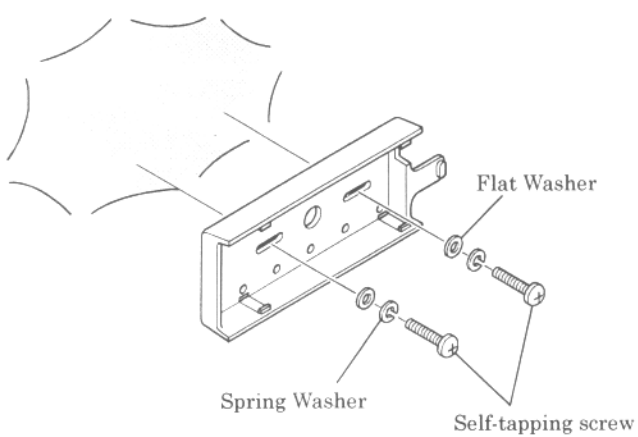


Figure 4

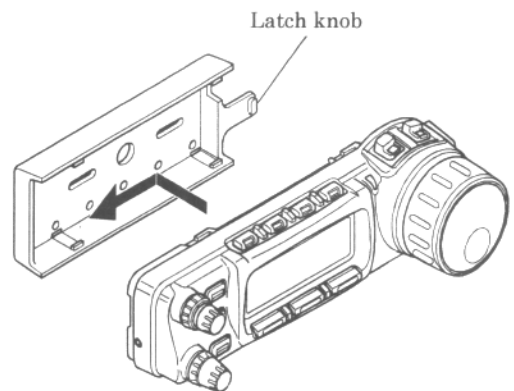


Figure 7

YSK-857 Separation Kit Installation Instructions

The **YSK-857** consists of Front Panel mounting hardware and two 6-m interconnecting cables for the Front Panel. This kit allows the main body of the **FT-857** transceiver to be installed in the trunk, or anywhere else out of the way, while the Front Panel is mounted on the dashboard.

A choice of Front Panel mounting methods allows easy unit removal and taking the unit with you when leaving the vehicle.

Parts List

- Front Panel Nest 1 pc.
- Mic Extension Kit 1 pc.
- Controller Extension Cable (6-pin, 6 m) 1 pc.
- Speaker Extension Cable (6 m) 1 pc.
- Mic Extension Cable (8-pin, 5 m) 1 pc.
- Double-Sided Adhesive Tape 1 pc.
- Mounting Screws, Washers, & Nuts
 - Self-tapping screws (3 × 12B) 4 pcs.
 - Screws (M3 × 12B) 4 pcs.
 - Flat Washers (AW3B) 4 pcs.
 - Spring Washers (SW3B) 4 pcs.
 - Hex. Nuts (N3) 4 pcs.
- Instruction Manual 1 pc.

Important Notice !

Do not use incorrect screws, only use those supplied or screws of the same size.

All hardware supplied uses Metric threads!

To install the YSK-857

1. Disconnect the DC power cable from the transceiver.
2. Referring to Figure 1, slightly pry open the latch on the left side of the transceiver and then slide the panel outward and away from the transceiver. Disconnect the connection cable which is connected between the transceiver body and its front panel.
3. Mount the main body of the **FT-857** in the trunk or some other out-of-the-way location, using the **MMB-82** mounting bracket supplied with the **FT-857**.

4. Referring to Figure 2, insert the plug of the Controller Extension Cable into the corresponding jack on the **FT-857**.
5. Referring to Figure 3, insert the plug of the Mic Extension Cable into the **MIC** jack on the **FT-857**, then inset the Mic Extension Cable and microphone cable into the jack of the Mic Extension Kit.
6. Referring to Figures 4 and 5, mount the Front Panel Nest in the desired location.
CAUTION! Do not the mount the Front Panel where it might be exposed to direct sunlight for long periods of time, nor where temperatures might exceed 140°F (60°C).
7. Referring to Figure 6, insert the plug of the Controller Extension Cable into the corresponding jack on the Front Panel.
8. To install the Front Panel into the Mounting Nest, align the mounting lugs of the Mounting Nest with the corresponding slots in the Front Panel, then insert the Front Panel into the Mounting Nest, as shown in Figure 7.
9. To remove the Front Panel from the Mounting Nest, slightly pry open the latch on the right side of the Mounting Nest, then slide the Front Panel outward and away.

Mounting Tips

When mounting the transceiver body in the trunk, we recommend using the **MSL-100** optional external speaker and supplied speaker extension cable.

VERTEX STANDARD CO., LTD.

4-8-8 Nakameguro, Meguro-Ku, Tokyo 153-8644, Japan

VERTEX STANDARD

US Headquarters

10900 Walker Street, Cypress, CA 90630, U.S.A.

International Division

8350 N.W. 52nd Terrace, Suite 201, Miami, FL 33166, U.S.A.

YAESU EUROPE B.V.

P.O. Box 75525, 1118 ZN Schiphol, The Netherlands

YAESU UK LTD.

Unit 12, Sun Valley Business Park, Winnall Close
Winchester, Hampshire, SO23 0LB, U.K.

VERTEX STANDARD HK LTD.

Unit 5, 20/F., Seaview Centre, 139-141 Hoi Bun Road,
Kwun Tong, Kowloon, Hong Kong

日本語の説明は裏面に記載しております。

