

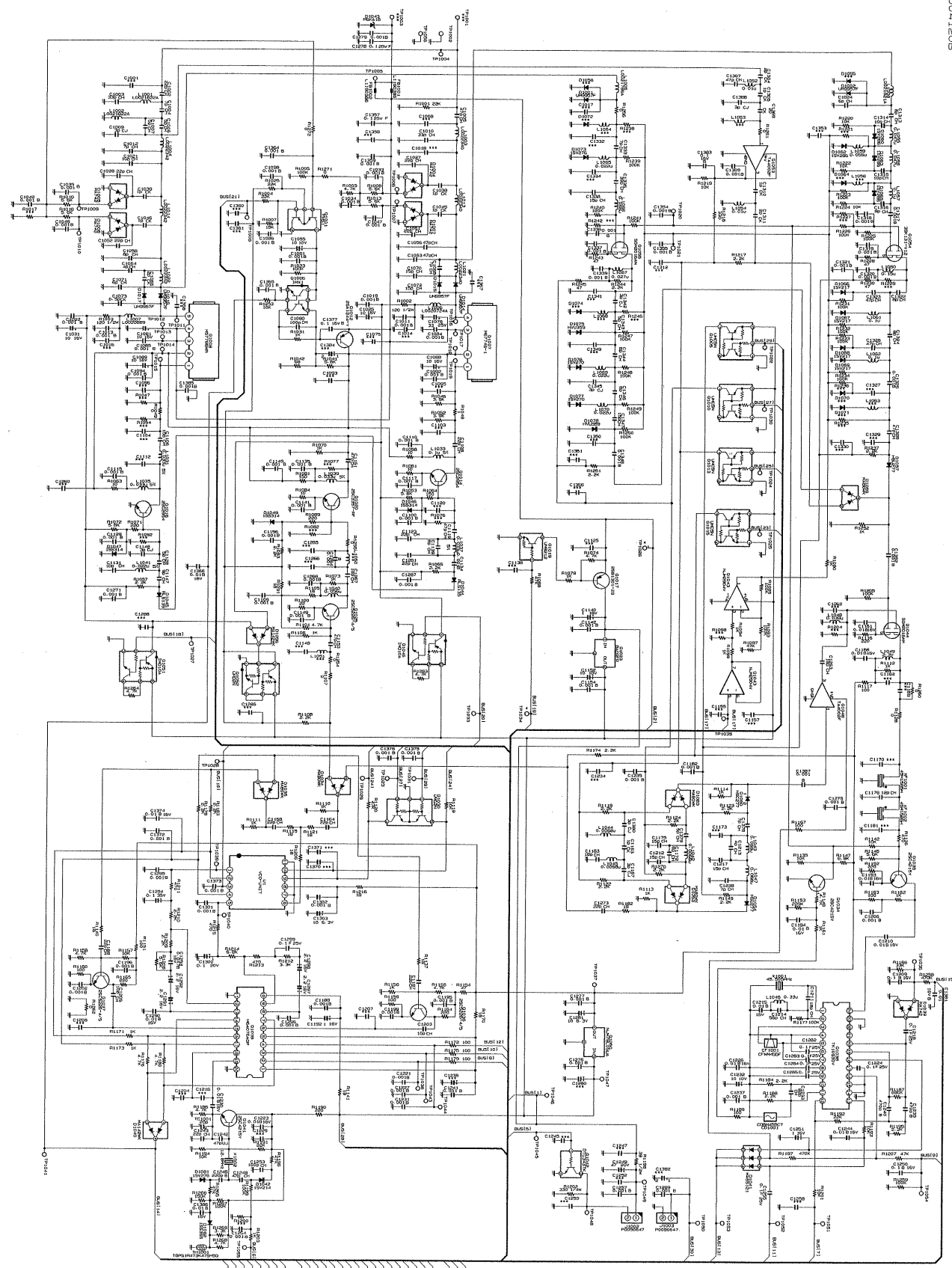
01007	01008	01004	01005	01015	01017
01014	01015	01016	01017	01018	01019

$f_{osc} = 144-148 \text{ MHz}$ $f_{osc} = 430-450 \text{ MHz}$
 $f_{mix} = 100-230 \text{ MHz}$ $f_{mix} = 300-530 \text{ MHz}$
 $f_{if} = f_{mix} + f_r \text{ MHz}$ $f_{if} = f_{mix} - f_r \text{ MHz}$
 $f_{if} = 45.05 \text{ MHz}$
 $f_{if} = 810-824 \text{ MHz}$ $f_{if} = 27 \text{ MHz}$
 $f_{if} = 849-869 \text{ MHz}$
 $f_{if} = 894-999, 975 \text{ MHz}$

→ RX LINE
 ← TX LINE
 — COMMON LINE

Scanned by IW5DBZ
Downloaded by Amateur Radio Directory

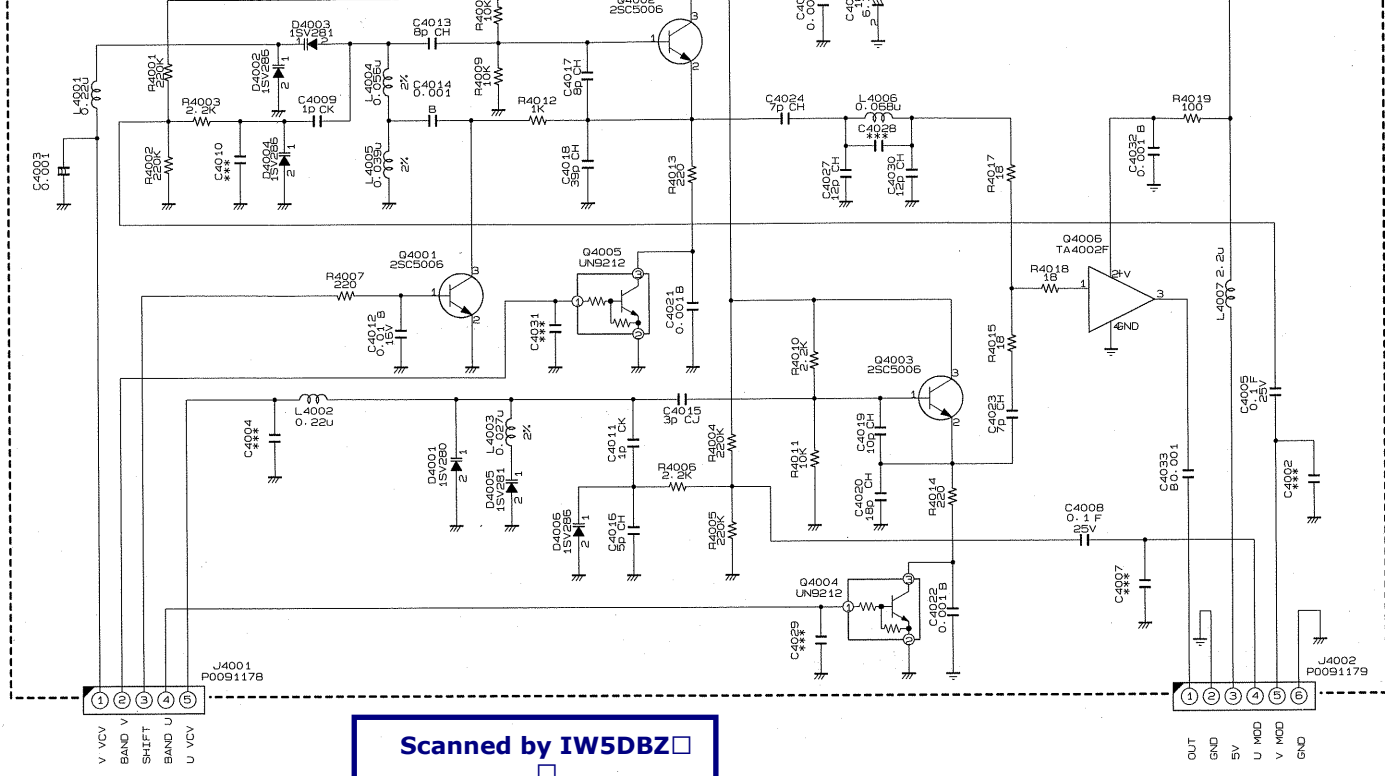
MAIN-UNIT
FR004120B



01001	01002	01003	01004	01005	01006	01007	01008	01009	01010	01011	01012	01013	01014	01015	01016	01017	01018	01019	01020	01021	01022	01023	01024	01025	01026	01027	01028	01029	01030	01031	01032	01033	01034	01035	01036	01037	01038	01039	01040	01041	01042	01043	01044	01045	01046	01047	01048	01049	01050	01051	01052	01053	01054	01055	01056	01057	01058	01059	01060	01061	01062	01063	01064	01065	01066	01067	01068	01069	01070	01071	01072	01073	01074	01075	01076	01077	01078	01079	01080	01081	01082	01083	01084	01085	01086	01087	01088	01089	01090	01091	01092	01093	01094	01095	01096	01097	01098	01099	01100
-------	-------	-------	-------	-------	-------	-------	-------	-------	-------	-------	-------	-------	-------	-------	-------	-------	-------	-------	-------	-------	-------	-------	-------	-------	-------	-------	-------	-------	-------	-------	-------	-------	-------	-------	-------	-------	-------	-------	-------	-------	-------	-------	-------	-------	-------	-------	-------	-------	-------	-------	-------	-------	-------	-------	-------	-------	-------	-------	-------	-------	-------	-------	-------	-------	-------	-------	-------	-------	-------	-------	-------	-------	-------	-------	-------	-------	-------	-------	-------	-------	-------	-------	-------	-------	-------	-------	-------	-------	-------	-------	-------	-------	-------	-------	-------	-------	-------	-------	-------

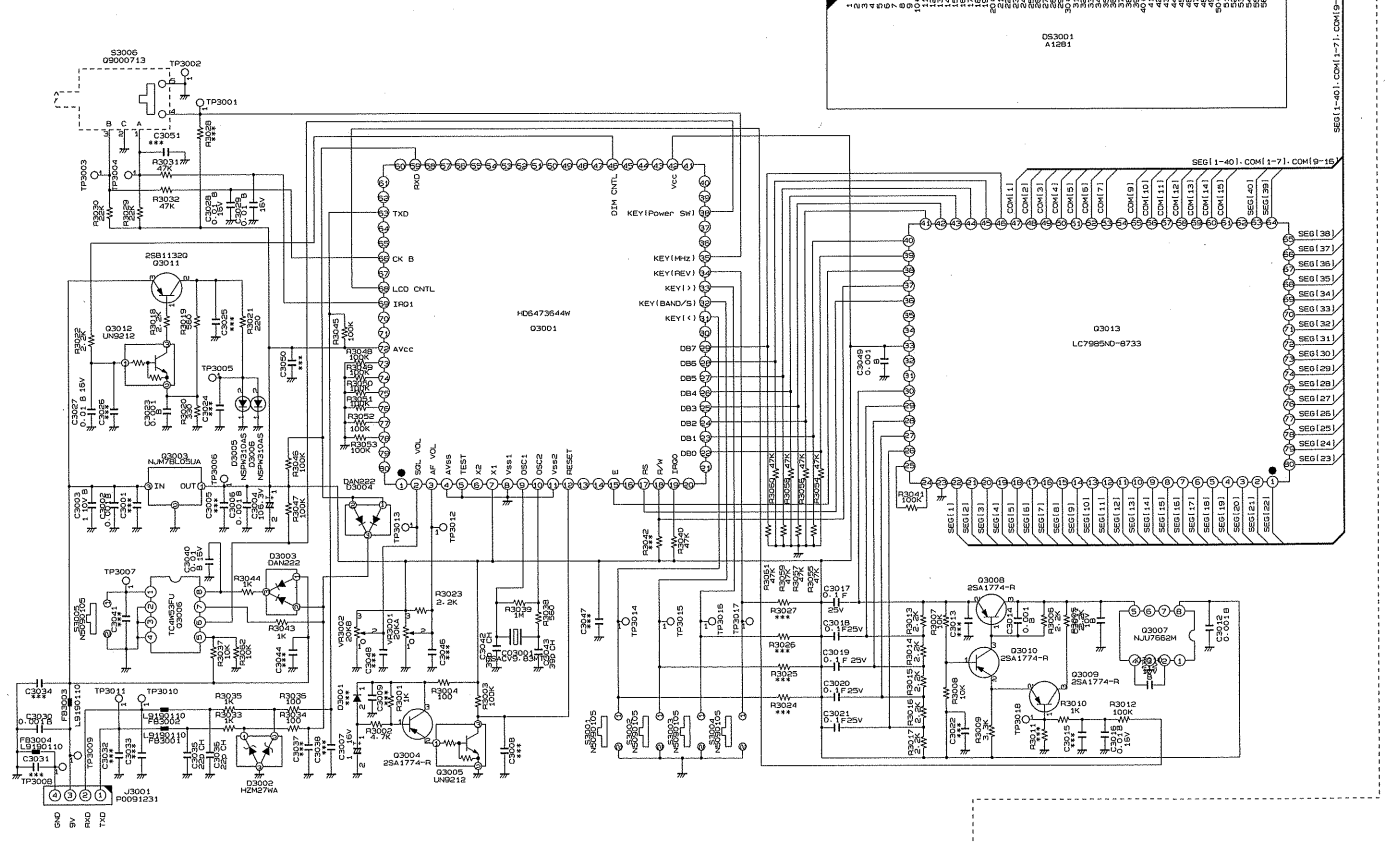
FT-90R Circuit Diagram

VCO-UNIT FR002500D



Scanned by IW5DBZ
Downloaded by Amateur Radio Directory

PANEL-UNIT FR002490C



NTNL-UNIT FR002480F

