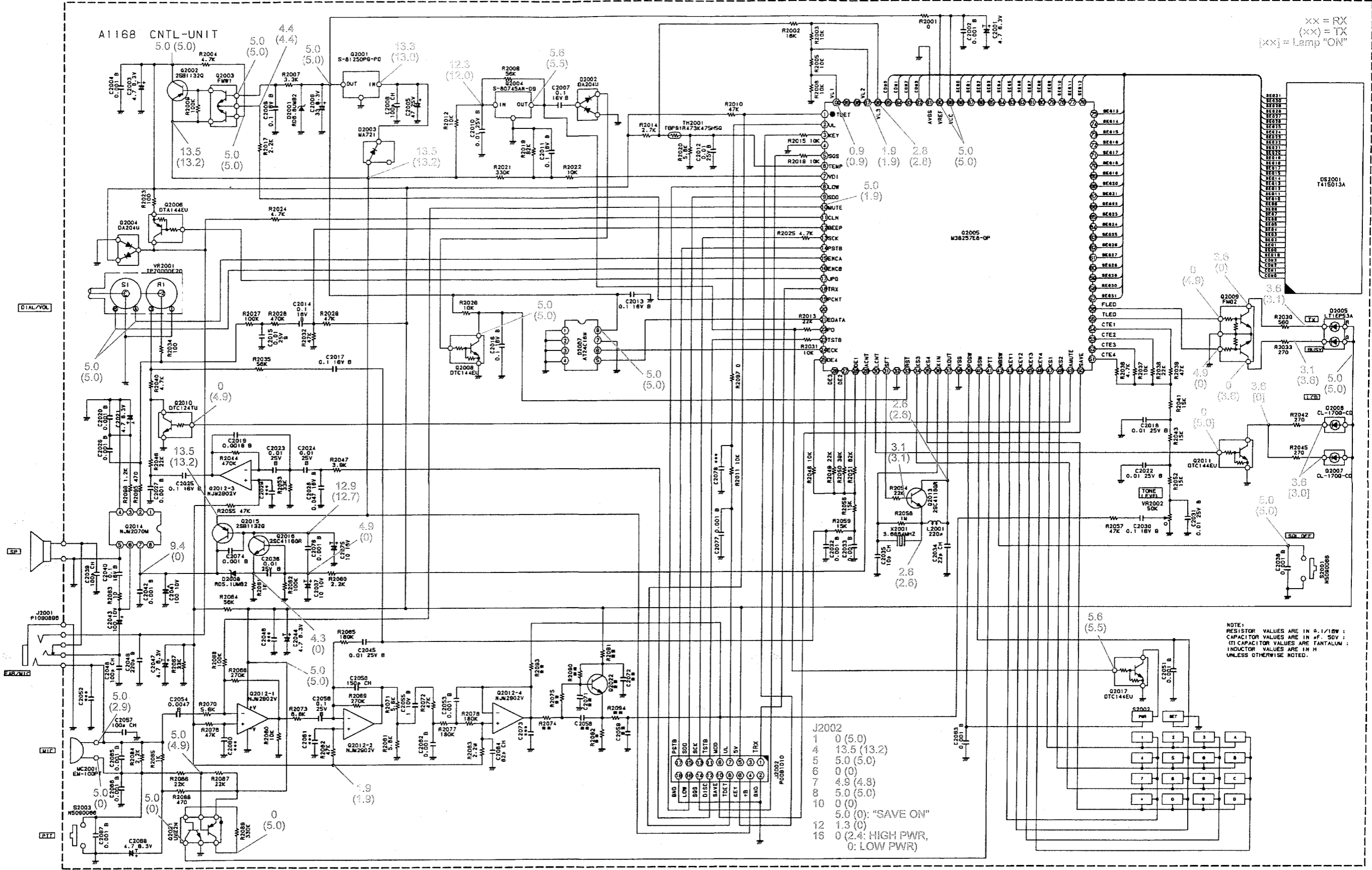


Circuit Diagram



SEP 12.5	0.001*	***	150*	0.1*	180K	180K	***	2.2K	10K	---	22K	2SC4118
SEP 25												

J2002

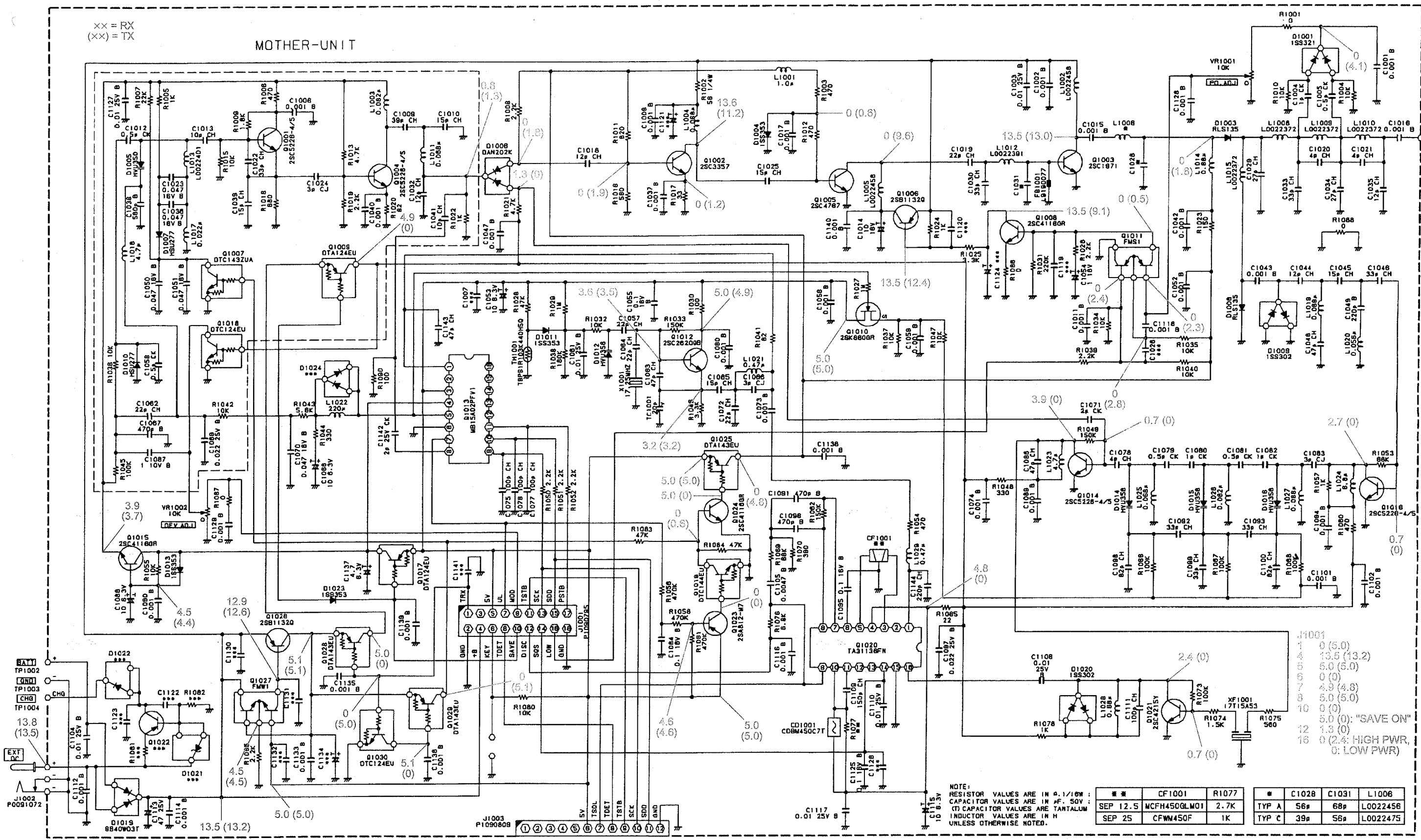
1	0 (5.0)
4	13.5 (13.2)
5	5.0 (5.0)
6	0 (0)
7	4.9 (4.8)
8	5.0 (5.0)
10	0 (0)
12	5.0 (0): "SAVE ON"
16	1.3 (0)
16	0 (2.4: HIGH PWR, 0: LOW PWR)

NOTE: RESISTOR VALUES ARE IN OHMS UNLESS OTHERWISE NOTED. CAPACITOR VALUES ARE IN MICROFARADS UNLESS OTHERWISE NOTED. (T) CAPACITOR VALUES ARE TANTALUM UNLESS OTHERWISE NOTED. INDUCTOR VALUES ARE IN HENRYS UNLESS OTHERWISE NOTED.

Circuit Diagram

xx = RX  
(xx) = TX

MOTHER-UNIT



NOTE:  
RESISTOR VALUES ARE IN Ω, 1/16W ;  
CAPACITOR VALUES ARE IN μF, 50V ;  
(T) CAPACITOR VALUES ARE TANTALUM ;  
INDUCTOR VALUES ARE IN H ;  
UNLESS OTHERWISE NOTED.

**	CF1001	R1077	#	C1028	C1031	L1008
SEP 12.5	MCFH450GLW01	2.7K	TYP A	56p	68p	L0022456
SEP 25	CFWM450F	1K	TYP C	39p	56p	L0022475

- J1001
- 1 0 (5.0)
- 4 13.5 (13.2)
- 5 5.0 (5.0)
- 6 0 (0)
- 7 4.9 (4.8)
- 8 5.0 (5.0)
- 10 0 (0)
- 11 5.0 (0): "SAVE ON"
- 12 1.3 (0)
- 16 0 (2.4: HIGH PWR,  
0: LOW PWR)