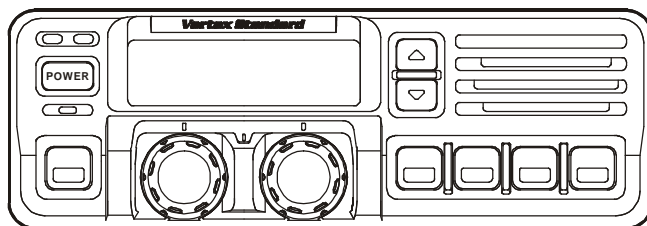


 **Vertex Standard**

VX-6000

OPERATING MANUAL MANUAL DE OPERACIÓN



VERTEX STANDARD CO., LTD.

4-8-8 Nakameguro, Meguro-Ku, Tokyo 153-8644, Japan

VERTEX STANDARD

US Headquarters

17210 Edwards Rd., Cerritos, CA 90703, U.S.A.

International Division

8350 N.W. 52nd Terrace, Suite 201, Miami, FL 33166, U.S.A.

YAESU EUROPE B.V.

P.O. Box 75525, 1118 ZN Schiphol, The Netherlands

YAESU UK LTD.

Unit 12, Sun Valley Business Park, Winnall Close
Winchester, Hampshire, SO23 0LB, U.K.

VERTEX STANDARD HK LTD.

Unit 5, 20/F., Seaview Centre, 139-141 Hoi Bun Road,
Kwun Tong, Kowloon, Hong Kong

English

Congratulations!

You now have at your fingertips a valuable communications tool - a **vertex** two-way radio! Rugged, reliable and easy to use, your **vertex** radio will keep you in constant touch with your colleagues for years to come, with negligible maintenance down time.

Please take a few minutes to read this manual carefully. The information presented here will allow you to derive maximum performance from your radio. After reading it, keep the manual handy for quick reference, in case questions arise later on.

We're glad you joined the **vertex** team. Call on us any time, because our business is communications. Let us help you get your message across.

NOTICE

There are no user-serviceable points inside this transceiver. All service jobs must be referred to your Authorized Service Center or Network Administrator.

Safety / Warning Information

WARNING - DO NOT operate the VX-6000L/V/U radio when someone (bystanders) outside the vehicle is within following range.

Safety Training information:

Antennas used for this transmitter must not exceed an antenna gain of 0 dBd. The radio must be used in vehicle-mount configurations with a maximum operating duty factor not exceeding 50%, in typical Push-to-Talk configurations.

This radio is restricted to occupational use, work related operations only where the radio operator must have the knowledge to control the exposure conditions of its passengers and bystanders by maintaining the minimum separation distance of following range.

Failure to observe these restrictions will result in exceeding the FCC RF exposure limits.

Antenna Installation:

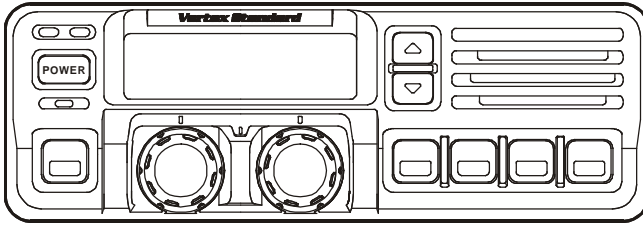
For rear deck trunk installation, the antenna must be located at least following range away from rear seat passengers in order to comply with the FCC RF exposure requirements.

For roof top installation, the antenna must be placed in the center of the roof.

Radiated frequency and Distance

VX-6000V (C)	VX-6000U (D)
4.85 Feet (1.48 m)	3.77 Feet (1.22 m)

VX-6000 Operating Manual



The VX-6000 Series are full-featured FM transceivers designed for flexible mobile and base station business communications in the VHF (110/60 Watts: programmable) and UHF (100/50 Watts: programmable) Land Mobile Bands. Each model is designed for reliable business communications in a wide variety of applications, with a wide range of operating capability provided by its leading-edge design.

The 250-channels memories can each be programmed with a 8-character channel name.

Important channel frequency data is stored in EEPROM and flash memory on the CPU, and is easily programmable by dealers using a personal computer and the VERTEX STANDARD CT-71 Programming Cable and CE35 Software.

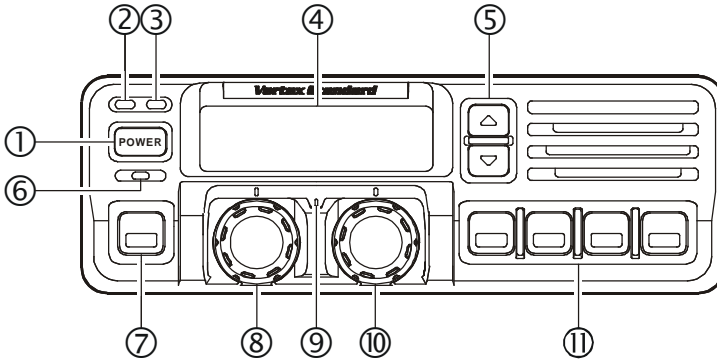
The pages which follow will detail the many advanced features provided on the VX-6000 transceiver. After reading this manual, you may wish to consult with your Network Administrator regarding precise details of the configuration of this equipment for use in your application.

For North American Users Regarding 406 MHz Guard Band

The U.S. Coast Guard and National Oceanographic and Atmospheric Administration have requested the cooperation of the U.S. Federal Communications Commission in preserving the integrity of the protected frequency range 406.0 to 406.1 MHz, which is reserved for use by distress beacons. Do not attempt to program this apparatus, under any circumstances, for operation in the frequency range 406.0 - 406.1 MHz if the apparatus is to be used in or near North America.

CONTROLS & CONNECTORS

Front Panel



① **POWER Button**

Press the button to turn the transceiver ON and OFF.

② **TX Indicator**

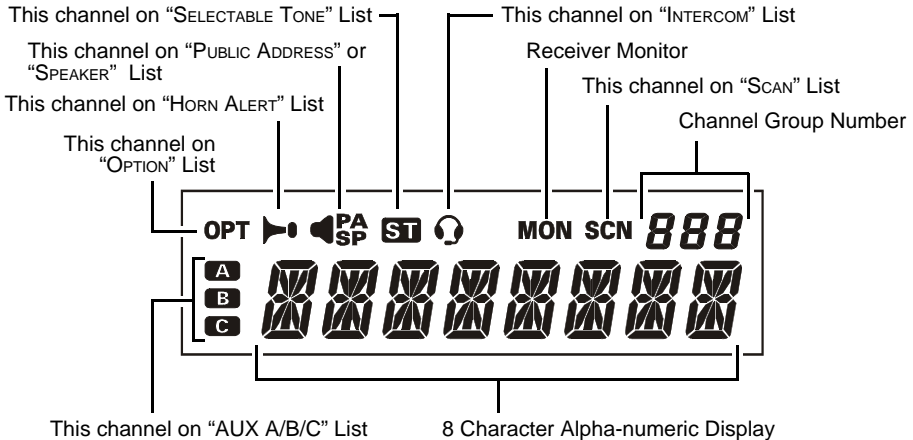
This lamp glows red when the radio is transmitting.

③ **BUSY Indicator**

This lamp glows green when the channel is busy.

④ **Liquid Crystal Display**

The display include an 8-character alpha-numeric section showing channel and group names, status and identity information, and error messages. Additional indicators on the display show priority channel assignments and scan include / exclude selection.



CONTROLS & CONNECTORS

⑤ **▲/▼ Button**

Pressing these buttons changes the current group (and displayed group number or name). Holding this button for more than 1/2 second causes the function to repeat.

⑥ **SQC Indicator**

This lamp glows orange when incorrect position at the setting of CE35.

⑦ **Programmable Function Button (PF button)**

This button can be set up for special applications, such as high/low power selection, monitor, dimmer, talk-around, and call alert function, as determined by your network requirements and programmed by your VERTEX STANDARD dealer.

⑧ **VOLUME Knob**

This knob sets the volume of the receiver.

⑨ **EMERGENCY Microphone**

The emergency microphone is located behind this small slit. When the emergency feature is activated, this Microphone is enabled.

⑩ **CHANNEL Selector Knob**

This knob select the operating channel.

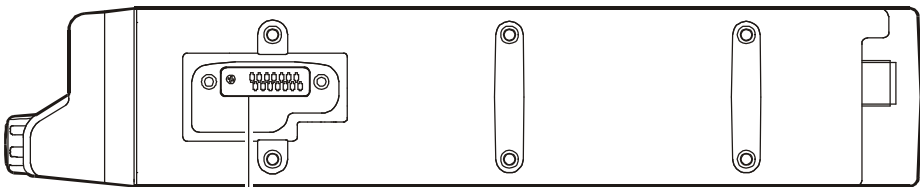
⑪ **Programmable Function Button (PF button)**

This button can be set up for special applications, such as high/low power selection, monitor, dimmer, talk-around, and call alert function, as determined by your network requirements and programmed by your VERTEX STANDARD dealer.

Side Panel

Microphone Jack (It is on both sides.)

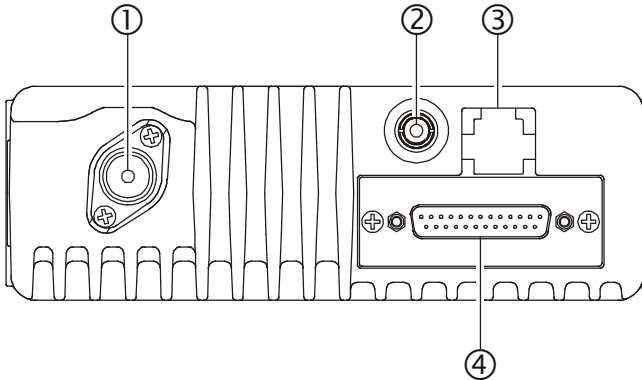
Connect the microphone plug to this jack.



Microphone Jack

CONTROLS & CONNECTORS

REAR (Heatsink)



① **Antenna Socket**

The 50-ohm coaxial feedline to the antenna must be connected here, using a type-M (PL-259) plug.

② **External Speaker Jack**

An external loudspeaker may be connected to this 2-contact, 3.5-mm mini-phone jack.

Caution: Do not connect this line to ground, and be certain that the speaker has adequate capability to handle the audio output from the VX-6000.

③ **13.6-V DC Power Connector**

The supplied DC power cable must be connected to this 4-pin connector. Use only the supplied fused cable, extended if necessary, for power connection.

④ **DSUB 25-Pin Accessory Connector**

External TX audio line input, PTT (Push To Talk), Squelch, and external RX audio line output signal may be obtained from this connector for use with accessories such as data transmission/reception modems, etc.

BASIC OPERATION OF THE TRANSCEIVER

Important! - Before turning on the radio the first time, confirm that the power connections have been made correctly and that a proper antenna is connected to the antenna jack.

Switching Power ON/OFF

Push the **POWER** switch turn on the radio. The display will become illuminated. The radio will start up on the last channel used prior to shut-down during the previous operating session.

Turn the **CHANNEL** selector knob to choose the desired operating channel. A channel name will appear on the display. If you want to select the operating channel from a different Memory Channel Group, press the **UP** (▲) or **DOWN** (▼) button to select the Memory Channel Group you want before selecting the operating channel.

Setting the Volume

Turn the **VOLUME** knob clockwise to increase the volume, and counterclockwise to decrease it. If no signal is present, press and hold in the **MON** button more than 1/2 seconds; background noise will now be heard, and you may use this to set the **VOLUME** knob for the desired audio level. Press and hold the **MON** button more than 1/2 seconds to quiet the noise and resume normal (quiet) monitoring.

Transmitting

To transmit, wait until the “**BUSY**” indicator is off (the channel is not in use), and press the **PTT** (Push-To-Talk) switch on the side of the microphone (the “**TX**” indicator will appear or the “**TX**” indicator will glow red). While holding in the **PTT** switch, speak across the face of the microphone in a clear, normal voice level, and then release the **PTT** switch to receive.

Selecting Groups and Channels

- Press the **UP** (▲) or **DOWN** (▼) button (repeatedly, if necessary) to select a different group of channels.
- Turn the **CHANNEL** selector knob to select a different channel *within the current group*.

Automatic Time-Out Timer

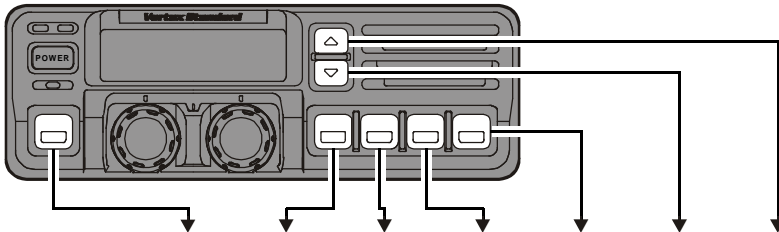
If the selected channel has been programmed for automatic time-out, you must limit the length of each transmission. While transmitting, a beep will sound five seconds before time-out. Another beep will sound just before the deadline; the “**TX**” indicator will disappear and transmission will cease soon thereafter. To resume transmitting, you must release the **PTT** and wait for the “penalty timer” to expire (if you press the **PTT** before this timer expires, the timer restarts, and you will have to wait another “penalty” period)

ADVANCED OPERATION

Programmable Function Button (PF button)

The VX-6000 includes the seven **Programmable Function Buttons (PF button)**. The **PF** button functions can be customized, via programming by your VERTEX STANDARD dealer, to meet your communications/network requirements. Some features may require the purchase and installation of optional internal accessories. The possible **PF** button programming features are illustrated at the below, and their functions are explained on page 8.

For further details, contact your VERTEX STANDARD dealer. For future reference, check the box next to each function that has been assigned to the **PF** button on your particular radio, and keep it handy.



Functions	Programmable Function Button (PF button)													
	<1.5 sec	>1.5 sec	<1.5 sec	>1.5 sec	<1.5 sec	>1.5 sec	<1.5 sec	>1.5 sec	<1.5 sec	>1.5 sec	<1.5 sec	>1.5 sec	<1.5 sec	>1.5 sec
None														
SCAN (SCN)														
Dual Watch														
Call/Reset														
Talk-Around (TA)														
Alpha Numeric (A/N)														
DIMMER (DIM)														
Emergency (EMG)														
Horn Alert (HA)														
Home Channel (HOM)														
Intercom (IC)														
Low Power (LOW)														
GRP UP														
GRP DWN														
CH UP														
CH DWN														
AUX A														
AUX B														
AUX C														
Public Address (PA)														
Monitor (MON)														

ADVANCED OPERATION

Functions	Programmable Function Button (PF button)													
	<1.5 sec	>1.5 sec	<1.5 sec	>1.5 sec	<1.5 sec	>1.5 sec	<1.5 sec	>1.5 sec	<1.5 sec	>1.5 sec	<1.5 sec	>1.5 sec	<1.5 sec	>1.5 sec
RCL														
Selectable Tone (ST)														
SP*														
Squelch Level (SQL)														
Compander														
Encryption** (OPT)														

* requires RMK-4000

** requires Encryption Unit

Channel Scan

The Scanning feature is used to monitor multiple signals programmed into the transceiver. While scanning, the transceiver will check each channel for the presence of a signal, and will stop on a channel if a signal is present.

To activate scanning:

- Press the assigned **PF** button of the “**Scan**” momentarily to activate scanning.
- The scanner will search the channels, looking for active ones; it will pause each time it finds a channel on which someone is speaking.

To stop scanning

- Press the assigned **PF** button of the “**Scan**”.
- Operation will revert to the channel to which the **CHANNEL** selector knob is set.

Note: Your dealer may have programmed your radio to stay on one of the following channels if you press the **PTT** switch during scanning pause:

- Current channel (“Talk Back”)
- “Last Busy” channel
- “Priority” channel
- “Home” channel
- “Scan Start” channel

Dual Watch

The Dual Watch feature is similar to the Scan feature, except that only two channels are monitored:

- The current operating channel; and
- The “Priority” channel.

To activate Dual Watch:

- Press the assigned **PF** button of the “**Dual Watch**”.
- The scanner will search the two channels; it will pause each time it finds a channel on which someone is speaking.

To stop Dual Watch:

- Press the assigned **PF** button of the “**Dual Watch**”.
- Operation will revert to the channel to which the **CHANNEL** selector knob is set.

ADVANCED OPERATION

ARTS (Auto Range Transpond System)

This system is designed to inform you when you and another ARTS-equipped station are within communication range.

During ARTS operation, your radio automatically transmits for about 1 second every 25 (or 55) seconds (the interval is programmed by Dealer) in an attempt to Shake hands with the other station.

If you move out of range for more than one minutes, your radio senses that no signal has been received, a ringing beeper will sound. If you subsequently move back into range, as soon as the other station transmits, your beeper will sound.

The PF Button Function

The **PF** (Programmable Function) button can be programmed by the dealer to provide two of the other functions described below.

To activate the primary Accessory function, press the **PF** button momentarily. To access the secondary Accessory function (which may include the Alarm), press and hold the **PF** button for 1.5 seconds or longer.

Call/Reset

When this feature is programmed and a selective call has been received, momentarily press the assigned **PF** button of the “**Call/Reset**” to reset the flashing indicator and mute the receiver, otherwise press the assigned **PF** button of the “**Call/Reset**” to sent your radio’s identification code (ANI) to the dispatcher.

Talk-Around

The feature causes the assigned **PF** button of the “**Talk-Around**” to select simplex operation on semi-duplex channels: the transmit frequency becomes the same as the receive frequency (regardless of any programmed offset for the channel).

Note: This feature has no effect on simplex channels. After pressing the button, “-TAKARD-” is displayed on the LCD.

Alpha Numeric

Press the assigned **PF** button of the “**Alpha Numeric**” to switch the display between the Group/Channel number, and the Group/Channel name (alphanumeric). A tone will sound each time you switch between numerical and alphanumeric display.

DIM

Press the assigned **PF** button of the “**DIM**” to adjust the brightness of the display and key backlight.


ADVANCED OPERATION

EMG (Emergency)

Press the assigned **PF** button of the “**EMG**” to initiate an emergency call (requires ANI board). When an emergency call is made, no tone is emitted and the display does not change. To end the emergency call, turn the transceiver power OFF.

HA (Horn Alert)


Press the assigned **PF** button of the “**HA**” to turn the Horn Alert function ON or OFF. If you receive a call from the base station with 2Tone or DTMF signaling, horn alert will activate.

When you turn Horn Alert ON, a tone will sound and “” appears on the display.

Home (Home Channel)

Press the assigned **PF** button of the “**Home**” to select the pre-programmed Home Channel. Press it again to return to the previous channel. If used while scanning, pressing this key a second time will change to the revert channel.

IC (Intercom)

This feature requires dual head configuration. Press the assigned **PF** button of the “**IC**” to turn the intercom feature ON or OFF. While ON, you can press the PTT switch to communicate to another control head operator without transmitting over the air. When you press this key, a tone sounds and “” appears on the display. The intercom can be used even while scanning and receiving a call

Low Power

Press the assigned **PF** button of the “**Low Power**” to set the radio's transmitter to the “Low Power” mode.

Press this key again to return to “High Power” operation when in difficult terrain.

GRP UP/DWN

Press the assigned **PF** button of the “**GRP UP**” or “**GRP DWN**” to select a different group of channels.


CH UP/DWN

Press the assigned **PF** button of the “**CH UP**” or “**CH DWN**” to select a different channel within the current group.

AUX A/B/C

Press the assigned **PF** button of the “**AUX A**”, “**AUX B**”, or “**AUX C**” to turn the output port (respectively).

PA (Public Address)

Press the assigned **PF** button of the “**PA**” to use the transceiver as a PA amplifier. When you enable this function, a tone sounds and “**PA**” appears on the display. The public address can be used even while scanning and receiving a call.

ADVANCED OPERATION

MONI (Monitor)

Press the assigned **PF** button of the “**MONI**” momentarily to cancel CTCSS and DCS signaling squelch; the “**MON**” icon appears on the display. Press and hold this key for 1/2 seconds to hear background noise (unmute the audio); the **MON** icon blinks on the display.


RCL (Channel Recall)

During scan, you can press the assigned **PF** button of the “**RCL**” to select the last called channel.

ST (Selectable Tone)

Press the assigned **PF** button of the “**Selectable Tone**”, then rotate the CHANNEL selector knob to select a 2-Tone.

SP

Press the assigned **PF** button of the “**SP**” to switch “Front panel”, “Front panel & Body” and “Body” speaker. When “Body” is selected, a tone sounds and the “ **SP**” icon appears on the display. You can use this function while scanning and receiving a call. However, all audio will be emitted from the PA speaker.

SQL (Squelch Level)

You can manually adjust the squelch level using this function:

1. Press the assigned **PF** button of the “**SQL**”. A tone sounds and SQL appears on the display with the current squelch level.
2. Rotate the CHANNEL selector knob to select the desired level.
3. Press the this key. A tone sounds and the display returns to the normal channel.

COMP (Compander)

Press the **PF** button assigned to the “**COMP**” function to turn the “Compander” IC ON or OFF.

This IC contains two variable gain circuits configured for compressing and expanding the dynamic range of the radio's transmitted and received audio signal.

When you enable this function, the signal-to-noise ratio can be improved by reducing the transmitted audio dynamic range.

Encryption (Option)

When the Voice Scrambler feature is enabled, pressing the assigned **PF** button of the “**Encryption**” toggles the Scrambler on and off.

OPTIONAL ACCESSORIES

MH-25 _{B7A}	Microphone
MH-53 _{C7A}	Heavy Duty Microphone
MH-53 _{A7A}	Heavy Duty Microphone w/Noise Canceler
MH-53 _{B7A}	Heavy Duty DTMF Microphone w/Noise Canceler
CE35	Programming Software
CT-70	Radio Programming Cable (Requires VPL-1)
CT-71	Radio to PC Programming Cable
CT-72	Radio to Radio Programming Cable
CT-81	Cable for RMK-4000 (6 m)
CT-82	Cable for RMK-4000 (2.5 m)
CT-83	Cable for RMK-4000 (0.6 m)
CNT-6000	Control Head
RF DECK	RF Deck w/MMB-75 (for Dual Band Installations)
RMK-4000SH	Remote Kit (for Single Transceiver)
RMK-4000DH	Remote Kit (for Dual-Head Installations)
RMK-4000DB	Remote Kit (for Dual Band Installations)
RMK-4000DBH	Remote Kit (for Dual Band plus Dual Head Installations)
F2D-8	2-Tone Decode Unit (Requires FIF-7)
F5D-14	5-Tone ENC-DEC Unit (Requires FIF-7)
VTP-50	VX-Trunk Unit (Requires FIF-7)
FVP-25	Encryption/DTMF pager Unit (Requires FIF-7)
FP-1030	External 30A Power Supply
MLS-100	Mobile Loud speaker (12 W Peak Power)
MMB-79	Mobile Mounting Bracket
MMB-77	Locking Mobile Mounting Bracket
FIF-7	Inter face Board (for F2D-8, F5D-14, VTP-50, FVP-25)
CN-6	Inter face Board (for Accessories)

Note:

Español

¡Felicitaciones!

Lo que tiene en sus manos es un valioso aparato de comunicación -- ¡un transmisor-receptor **vertex** !. Resistente, seguro y fácil de usar, su radio **vertex** le permitirá mantenerse en contacto permanentemente con sus colegas por muchos años, con mínimas interrupciones a través del tiempo para realizar su manutención u otros ajustes.

Haga el favor de detenerse unos minutos para leer este manual con atención. La información que aquí se presenta le permitirá aprovechar al máximo todas las ventajas funcionales del radio. Una vez que termine de leer este manual, manténgalo a mano para consultarlo en caso de que en el futuro surja cualquier duda relacionada con el funcionamiento del transeptor.

Nos alegra que se haya integrado a la familia **vertex** . Llámenos cuando quiera, puesto que las comunicaciones son asunto nuestro y permítanos ayudarle a transmitir su mensaje.

ADVERTENCIA

El transeptor no trae ninguna pieza interna que pueda ser reparada por el usuario. Por lo tanto, todo trabajo de reparación debe ser enviado directamente al Centro de Servicio Técnico Autorizado de VERTEX STANDARD o al Administrador de la Red.

Medidas de Seguridad y Advertencia

Advertencia: NO operar la radio VX-6000L/V/U cuando haya personas fuera del vehículo que se encuentren dentro del área considerada como distancia mínima entre los mismos.

Para un entrenamiento seguro:

Antenas utilizadas para este transmisor no deberán superar la ganancia de más de 0 dBD. La radio deberá ser usada según las configuraciones del vehículo standard con un máximo factor operativo que no exceda el 50% en la típica configuración Push-to-Talk.

Esta radio está restringida para el uso laboral y las operaciones relacionadas con el trabajo, únicamente cuando el operador de radio posea el conocimiento suficiente para controlar las condiciones de exposición de sus pasajeros y transeúntes manteniendo siempre la mínima distancia establecida entre ambos vehículos.

Cualquier incumplimiento a las restricciones indicadas, causaría un exceso mayor a los límites de exposición de radiofrecuencia determinados por la FCC (Comisión Federal de Comunicación).

Instalación de la Antena.

Al instalar la antena en la parte posterior del vehículo, ésta deberá ser colocada manteniendo siempre la mínima distancia establecida respecto al asiento posterior de pasajeros, para cumplir con los requisitos de la exposición de radiofrecuencia de la FCC (Comisión Federal de Comunicación).

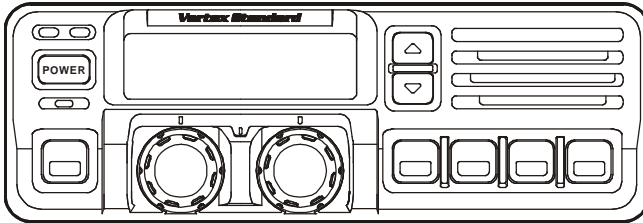
Al instalar la antena en el techo, ésta deberá ser colocada en el centro del mismo.

Radiated frequency and Distance

VX-6000V (C)	VX-6000U (D)
4.85 Feet (1.48 m)	3.77 Feet (1.22 m)

Manual de Instrucciones

Serie VX-6000



La Serie VX-6000 se compone de completísimos transceptores en FM, concebidos para ser utilizados indistintamente como estaciones base o portátiles en el campo de las comunicaciones comerciales a través de la Bandas Móviles Terrestres VHF (110/60 vatios: programable) y UHF (100/50 vatios: programable). Cada modelo ha sido proyectado de modo de garantizar la regularidad de las comunicaciones comerciales en una amplia variedad de aplicaciones, con una gran capacidad funcional producto de su moderno e innovador diseño.

El usuario puede programar una denominación alfanumérica de 8 caracteres para cada uno de los 250 canales de memorias que existen.

Los datos importantes relativos a la frecuencia de canales son almacenados en una memoria EEPROM e instantánea en la Unidad de Procesamiento Central, la cual el distribuidor puede configurar con toda facilidad utilizando una computadora personal, el cable de Programación CT-71 de VERTEX STANDARD y el programa para ordenadores CE35.

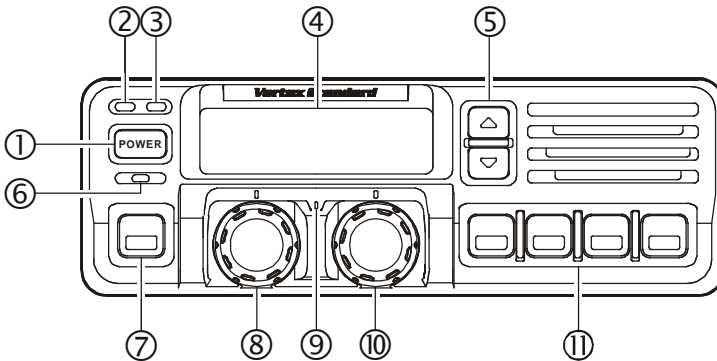
En las páginas a continuación se describen en forma detallada las numerosas y avanzadas funciones que posee el transceptor VX-6000. Después de leer el manual, puede que decida consultar con el Administrador de la Red en relación a los detalles precisos de la configuración de este equipo a fin de utilizarla en su aplicación.

Para Usuarios Norteamericanos en Relación a la Banda de Seguridad de 406 MHz

La Guardia Costera de los Estados Unidos y la Administración Nacional para la Oceanografía y la Atmósfera han solicitado la cooperación de la Comisión Federal de Comunicaciones de ese país con el objeto de preservar la integridad de la gama de frecuencias protegida entre los 406.0 y 406.1 MHz, la cual está reservada para el uso de radiobalizas de socorro. No intente programar este aparato, bajo ninguna circunstancia, para que opere en la banda de frecuencias comprendida entre la referida gama si va a utilizar el equipo en Norteamérica o en las proximidades de su territorio.

CONTROLES Y CONECTORES

Panel Frontal



① Botón de Encendido "POWER"

Oprima este botón para encender y apagar el transceptor.

② Indicador de Transmisión "TX"

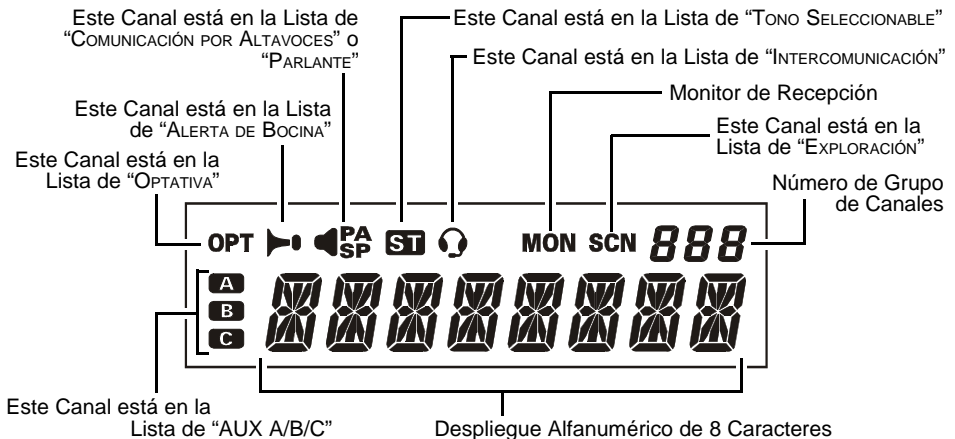
Esta lámpara se enciende de color rojo cuando el radio está transmitiendo.

③ Indicador de Ocupación "BUSY"

Esta lámpara se enciende de color verde cuando el canal está ocupado.

④ Visualizador de Cristal Líquido

La pantalla incluye una sección alfanumérica compuesta de 8 caracteres que exhibe los nombres de los canales y grupos, la información relativa al estado funcional y la identificación, además de los mensajes de error. Otros indicadores de la pantalla muestran las asignaciones de prioridad de los canales y la selección de los que han de ser incluidos o excluidos del proceso de exploración en el radio.



CONTROLES Y CONECTORES

⑤ Botón de Selección ▲/▼

Al oprimir cualquiera de estos botones, el radio cambiará el grupo en ese momento vigente (así como la denominación o el número respectivo desplegado en la pantalla). Si mantiene deprimido este botón por más de ½ segundo, hará que el radio repita la presente instrucción una vez más.

⑥ Indicador del Canal de Partida “SQC”

Esta lámpara se ilumina de color naranja cuando se coloca en la posición equivocada al momento de configurar el Programa CE35.

⑦ Botón de Funciones Programable (Botón PF)

Este botón se puede configurar para ejecutar ciertas aplicaciones especiales, tales como seleccionar los niveles alto o bajo potencia, la función de monitoreo, la luminosidad de la pantalla, la comunicación directa y la función de indicación de llamada, conforme a los requisitos de la red a la que pertenece y a la programación que realice el distribuidor VERTEX STANDARD de su localidad.

⑧ Perilla de VOLUMEN

Con este perilla se ajusta el nivel sonoro del receptor.

⑨ Micrófono de EMERGENCIA

El micrófono de emergencia se ubica detrás de esta pequeña ranura. Cuando la función de emergencia se encuentra habilitada, también se activa el Micrófono en el equipo.

⑩ Perilla Selectora de Canales “CHANNEL”

Con esta perilla se selecciona el canal en base al cual desea operar.

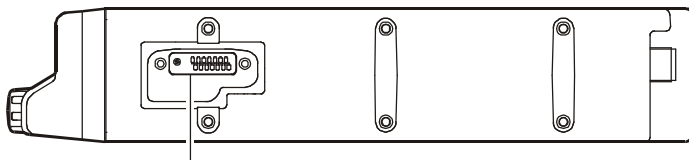
⑪ Botón de Funciones Programable (Botón PF)

Este botón se puede configurar para ejecutar ciertas aplicaciones especiales, tales como seleccionar los niveles alto o bajo potencia, la función de monitoreo, la luminosidad de la pantalla, la comunicación directa y la función de indicación de llamada, conforme a los requisitos de la red a la que pertenece y a la programación que realice el distribuidor VERTEX STANDARD de su localidad.

Panel Lateral

Conjuntor para Micrófono (en ambos lados)

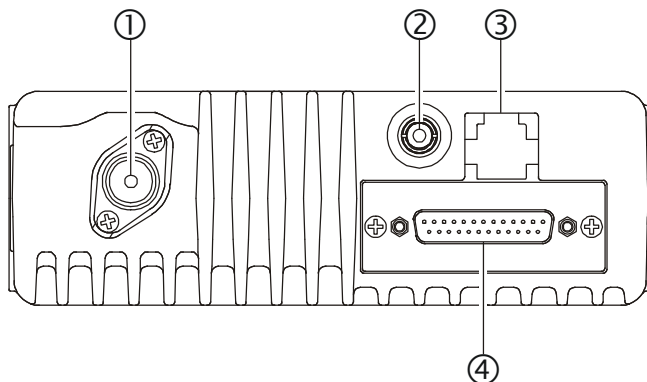
Conecte el enchufe del micrófono en este conjuntor.



Conjuntor para Micrófono

CONTROLES Y CONECTORES

SECCIÓN POSTERIOR (Disipador Térmico)



① Conector de Antena

Usted debe conectar la línea de alimentación coaxial de 50 ohmios hacia la antena en este conjuntor utilizando un enchufe tipo M (PL-259).

② Conjuntor para Parlante Externo

Si usa un parlante externo, tiene que conectarlo en este minienchufe para audífonos de 3,5 mm y dos alfileres de contacto.

Precaución: No conecte esta línea a tierra y asegúrese de que el parlante posea la capacidad adecuada para admitir la salida de audio proveniente del VX-6000.

③ Cable Flexible de 13,6 V de CC con Conector

Usted debe acoplar en este conector de 2 alfileres el cable de alimentación de CC que se suministra con el aparato. Utilice solamente el cable con fusible que viene con el equipo, el que puede alargarse, si es necesario, para poder hacer las conexiones a la fuente de alimentación.

④ Conector Accesorio de 25 Alfileres de Contacto DSUB

A partir de este conector es posible obtener la señal de entrada de audio de la línea externa del transmisor, del conmutador del micrófono (o PTT), del circuito de silenciamiento y de la señal de salida de audio de la línea externa de recepción, y utilizarla con dispositivos accesorios tales como modems para transmisión y recepción de datos u otros aparatos similares.

FUNCIONAMIENTO BÁSICO DEL TRANSCEPTOR

!Importante! - Antes de encender el radio por primera vez, verifique que se hayan realizado adecuadamente todas las conexiones a la fuente de alimentación y que también se haya conectado la antena apropiada en el enchufe correspondiente.

Conexión y Desconexión del Transceptor

Para encender el radio, oprima el interruptor de conexión “**POWER**”. En ese instante, se iluminará el despliegue, haciendo que el radio comience a operar en base al último canal que empleó en la sesión de trabajo anterior justo antes de que desconectara el equipo. Desplace el control selector “**CHANNEL**” con el objeto de definir el canal en base al cual desea operar. En ese instante, aparecerá el nombre del canal seleccionado exhibido en la pantalla del radio. Si quisiera emplear un canal de trabajo contenido en un Grupo de Canales de Memoria distinto, entonces accione el botón de selección ascendente (▲) o descendente (▼) para escoger el Grupo que desea antes de definir el canal de tráfico apropiadamente tal.

Regulación del Volumen

Gire la perilla de Volumen a la derecha para incrementar el nivel sonoro del equipo y a la izquierda, para reducirlo. De no existir ninguna señal presente en el canal, presione firmemente el botón **MON** por más de ½ segundo; tal acción le permitirá escuchar el ruido de fondo, el cual puede utilizar para ajustar el control de volumen en el nivel de audio deseado. Posteriormente, presione **MON** una vez más por ½ segundo para apagar el ruido de fondo y continuar escuchando las emisiones en forma normal (o silenciosa).

Transmisión

Para transmitir, espere hasta que se apague el indicador “**BUSY**” (al desocuparse el canal) y luego presione el conmutador del **PTT** (*Push To Talk*) ubicado en el costado del micrófono (en este caso, el icono de “**TX**” aparece exhibido en la pantalla o bien, dicho indicador se ilumina de color rojo sobre el panel). Mientras sostiene el conmutador del **PTT**, hable por el frente del micrófono con un tono de voz clara y normal; suelte posteriormente dicho interruptor para recibir.

Selección de Grupos y Canales

- Presione el botón de selección ascendente (▲) o descendente (▼) (varias veces si fuera necesario) para escoger un grupo distinto de canales.
- Gire la perilla selectora “**CHANNEL**” para escoger un canal distinto dentro del grupo vigente.

Temporizador Automático de Intervalos de Transmisión

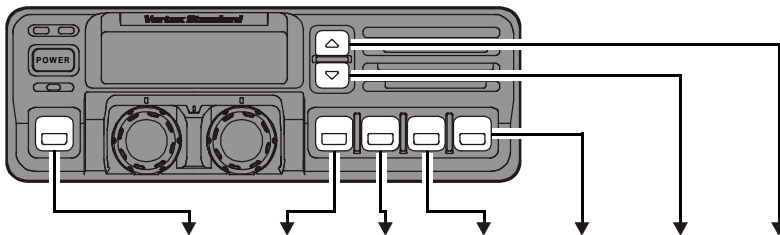
El usuario debe limitar la duración de sus transmisiones si el canal seleccionado ha sido programado para que se desconecte automáticamente al final del intervalo de retardo. Mientras transmite, el transceptor genera un pitido cinco segundos antes de efectuar la desconexión y vuelve a emitir otro sonido al cumplirse ese plazo; cuando esto sucede, el indicador de “**TX**” desaparece del despliegue, interrumpiéndose de allí en adelante todo tipo de emisión. Con el fin de reanudar sus transmisiones, suelte el **PTT** y espere que expire el ciclo del “temporizador penal” (si presiona el **PTT** antes de que dicho dispositivo termine de contar, éste reiniciará su ciclo y usted tendrá que esperar hasta que expire el próximo período “punitivo”)

FUNCIONAMIENTO AVANZADO

Botón de Funciones Programable (Botón PF)

El VX-6000 cuenta con siete Botones de Selección Programables (Botón **PF**). Es posible configurar las funciones de dicho botón mediante la programación que realiza el distribuidor VERTEX STANDARD de su localidad, de tal forma de satisfacer sus necesidades de operación así como los requisitos de la red a la que pertenece. Es posible que ciertas funciones prescriban la compra e instalación de accesorios optativos internos. Las posibles alternativas de programación para el botón **PF** se ilustran en la tabla a continuación, mientras que las funciones correspondientes se describen en la página 8 del manual.

Para obtener más información sobre el tema, contáctese con el representante VERTEX STANDARD de su región. Como referencia en el futuro, marque el cuadro frente a cada función asignada al botón **PF** de su radio, y mantenga esta lista siempre a mano.



Funciones	Botón de Funciones Programable (Botón PF)													
	<1.5 seg	>1.5 seg	<1.5 seg	>1.5 seg	<1.5 seg	>1.5 seg	<1.5 seg	>1.5 seg	<1.5 seg	>1.5 seg	<1.5 seg	>1.5 seg	<1.5 seg	>1.5 seg
Ninguna														
EXPLORACIÓN (SCN)														
Doble Canal en Observación														
Llamada/ Reposición														
Comunicación Directa (TA)														
Despliegue Alfanumérico (A/N)														
Atenuador del Brillo de la Pantalla (DIM)														
Emergencia (EMG)														
Alerta de Bocina (HA)														
Canal de Partida (HOM)														
Intercomunicación (IC)														
Potencia Reducida (LOW)														
Selección Ascendente de Grupos														
Selección Descendente de Grupos														

FUNCIONAMIENTO AVANZADO

Funciones	Botón de Funciones Programable (Botón PF)													
	<1.5 seg	>1.5 seg	<1.5 seg	>1.5 seg	<1.5 seg	>1.5 seg	<1.5 seg	>1.5 seg	<1.5 seg	>1.5 seg	<1.5 seg	>1.5 seg	<1.5 seg	>1.5 seg
Selección Ascendente de Canales														
Selección Descendente de Canales														
AUX A														
AUX B														
AUX C														
Comunicación por Altavoces (PA)														
Monitor (MON)														
Recuperación de Canales (RCL)														
Tono Seleccionable (ST)														
Parlante*														
Nivel de Silenciamiento (SQL)														
Criptografía de Mensajes** (OPT)														

* requiere el Kit RMK-4000

** requiere el Módulo Criptográfico

Exploración de Canales

La función de Exploración se utiliza para vigilar múltiples canales programados en el transceptor. Durante el proceso, el transceptor analiza cada uno de esos canales en busca de actividad y se detiene cuando detecta la presencia de una señal en alguno de ellos.

Con el objeto de habilitar el circuito de barrido:

- Oprima momentáneamente el botón **PF** asignado a la función de “**Exploración**” con el objeto de activar este modo en el radio.
- En ese instante, el circuito de barrido comenzará a explorar los canales en busca de aquéllos que estén activos, y hará una pausa cada vez que encuentre uno por donde alguien esté hablando.

Para detener la exploración:

- Oprima el botón **PF** asignado a la función de “**Exploración**” en el radio.
- El transceptor restituirá entonces el canal frente al cual la perilla selectora haya sido ajustada.

Nota: El representante Vertex Standard de su localidad pudo haber programado el radio para que permanezca en uno de los siguientes canales dado el caso de que presione el interruptor del **PTT** cuando el circuito de exploración haga una pausa:

- Canal vigente (de intercomunicación)
- “Último Canal Ocupado”
- Canal “Prioritario”
- Canal de Partida “Home”
- “Canal de “Iniciación de Barrido”

FUNCIONAMIENTO AVANZADO

Doble Canal en Observación

La función de Doble Canal en Observación es similar a la Exploración, con la excepción de que en este caso sólo se vigilan dos canales:

- El canal de tráfico vigente; y
- el canal “Prioritario”.

Con el objeto de activar la función de Doble Canal en Observación:

- Oprima el botón **PF** asignado a la función de “**Vigilancia Dual**” en el radio.
- En ese instante, el circuito de barrido comenzará a explorar los dos canales, y hará una pausa cada vez que encuentre uno por donde alguien esté hablando.

A fin de anular la función de Doble Canal en Observación:

- Oprima el botón **PF** asignado a la función de “**Vigilancia Dual**” en el radio.
- El transceptor restablecerá entonces el canal frente al cual la perilla selectora haya sido ajustada.

Sistema de Transpondedor con Verificación de Distancia Automática (ARTS)

Este sistema está proyectado para informarle a usted y al operador de otra estación - también equipada con un sistema similar- en qué momento se encuentran a una distancia adecuada para comunicarse.

Cuando el sistema ARTS está habilitado, una vez cada 25 (ó 55) segundos (el intervalo lo programa el Distribuidor) su radio va a transmitir automáticamente durante un segundo más o menos en un intento por establecer contacto con la otra estación.

Si usted se saliera del radio de alcance por más de un minuto, su equipo, al detectar que no ha recibido ninguna señal, activará una campanilla de alarma. Si más tarde usted se volviera a situar dentro del radio de alcance, tan pronto como la otra estación comience a transmitir, su transceptor emitirá nuevamente otro par de tonos breves.

Función del Botón PF

El botón (Selector de Funciones Programable) **PF** lo puede configurar el distribuidor de modo de activar dos de las otras funciones que se describen a continuación en el manual.

Con el objeto de activar la función Auxiliar primaria, oprima el botón **PF** en forma momentánea. Para tener acceso a la función Auxiliar secundaria (la cual puede incluir la Alarma), oprima firmemente el botón **PF** durante un segundo y medio por lo menos.

Llamada/ Reposición

Cuando reciba una llamada selectiva teniendo esta función programada, oprima momentáneamente el botón **PF** asignado al mecanismo de “**Llamada/ Reposición**” para restablecer el indicador intermitente a su estado original y enmudecer el receptor; de lo contrario, accione el botón **PF** asignado a la presente función para enviar el código de identificación (ANI) de su radio al despachador.

FUNCIONAMIENTO AVANZADO

Comunicación Directa

Esta función hace que el botón **PF** asignado al modo de “**Comunicación Directa**” seleccione la operación en símplex en canales semidúplex: la frecuencia de transmisión adquiere el mismo valor que la de recepción (independientemente si existe o no un desplazamiento programado para el canal).

Nota: esta función no tiene ningún efecto sobre canales símplex. Después de presionar el referido botón, aparece iluminada la indicación “-TAKARD-” en la pantalla de cristal líquido del transceptor.

Despliegue Alfanumérico

Oprima momentáneamente el botón **PF** asignado al “**Despliegue Alfanumérico**” con el objeto de alternar entre la exhibición numérica de Grupos y Canales, y la denominación (alfanumérica) de los mismos. El radio genera un tono todas las veces que alterna entre el modo numérico y alfanumérico en el visualizador.

Ajuste de Luminosidad “DIM”


Oprima momentáneamente el botón **PF** asignado al “**Control de Luminosidad**” para regular el brillo de la pantalla y la luz de fondo del teclado.

Emergencia “EMG”

Oprima el botón **PF** asignado a la función de “**Emergencia**” para iniciar una llamada de alarma (requiere un tablero ANI). Cuando se realiza una llamada de este tipo, el radio no emite ningún sonido y tampoco cambia la configuración del visualizador. Cuando desee concluir una llamada de alarma, simplemente desconecte el transceptor.

Alerta de Bocina “HA”

Oprima el botón **PF** asignado a esta función para habilitar o inhabilitar la “**Alerta de Bocina**” en el radio. Si usted recibe una llamada proveniente de una estación base que contiene una secuencia de señalización de dos Tonos o DTMF, se activará automáticamente dicha señal de alerta en el radio.


Cuando se habilita la Alerta de Bocina en el transceptor, éste genera un tono en tanto que el icono “” aparece desplegado en la pantalla del aparato.

Canal de Partida “Home”

Oprima el botón **PF** asignado a esta función para seleccionar el “**Canal de Partida**” que ha sido previamente programado en el transceptor. Accione el referido botón una vez más para regresar al canal anterior. Si durante el proceso de exploración acciona este control una segunda vez, hará que la operación se cambie al canal inverso.

FUNCIONAMIENTO AVANZADO

Sistema de Intercomunicación “IC”

La presente función requiere que exista una configuración formada por dos unidades de control. Oprima el botón **PF** asignado a esta función para habilitar o inhabilitar el sistema de “**Intercomunicación**” en el radio. Mientras dicho modo se encuentre habilitado, el usuario puede presionar el interruptor del PTT para comunicarse con otro operador de una unidad de control sin que su transmisión salga al aire. Cuando el usuario oprime esta tecla, el transceptor emite un tono y el icono “

Potencia Reducida

Oprima el botón **PF** asignado a esta función para colocar el transmisor del radio en el modo de “**Potencia Reducida**”.

Oprima nuevamente esta misma tecla para restituir el nivel “Máximo de Potencia” cuando las condiciones del terreno sean adversas.

Selección Ascendente y Descendente de Grupos

Oprima el botón **PF** asignado a la “**Selección Ascendente**” o “**Descendente**” para escoger un Grupo de canales distinto.


Selección Ascendente y Descendente de Canales

Oprima el botón **PF** asignado a la “**Selección Ascendente**” o “**Descendente**” para escoger un canal de tráfico distinto dentro del grupo vigente.

AUX A/B/C

Oprima el botón **PF** asignado a la opción “**AUX A**”, “**AUX B**” o “**AUX C**” con el objeto de activar el puerto de salida (respectivo).

Comunicación por Altavoces “PA”

Oprima el botón **PF** asignado al “**Sistema de Difusión por Altavoces**” para utilizar el transceptor como un amplificador megafónico. Cuando se habilita esta función, el radio emite un sonido, en tanto que el icono “**PA**” aparece desplegado sobre el visualizador. El Sistema de Difusión por Altavoces se puede emplear incluso mientras se explora y se recibe una comunicación.

Monitor “MONI”

Oprima momentáneamente el botón **PF** asignado al “**Sistema de Monitoreo**” para anular el silenciamiento por señalización CTCSS y DCS; al hacerlo, el icono “**MON**” aparecerá desplegado sobre la pantalla del transceptor. Oprima firmemente esta tecla durante ½ segundo cuando desee escuchar el ruido de fondo (normalizar el audio); tal acción hará que el icono “**MON**” aparezca ahora intermitente sobre el visualizador.

FUNCIONAMIENTO AVANZADO

Recuperación de Canales “RCL”

Durante la exploración, usted puede oprimir el botón **PF** asignado a la función de “**Recuperación**” para seleccionar el último canal llamado.

Tono Seleccionable “ST”

Oprima el botón **PF** asignado a la “**Selección de Tonos**” y gire la perilla selectora de canales a continuación, para escoger una secuencia de 2 Tonos.

Parlante “SP”

Oprima el botón **PF** asignado a la “**Selección del Parlante**” para alternar entre el altavoz del “Panel Frontal”, del “Panel Frontal y Chasis” y del “Chasis” propiamente tal. Cuando se selecciona el “Chasis”, el radio genera un sonido y el icono “**SP**” aparece desplegado sobre el visualizador. El usuario puede emplear esta función mientras explora y recibe una comunicación; no obstante, todo el audio va a ser emitido a través del altavoz de difusión.

Nivel de Silenciamiento “SQL”

El usuario puede ajustar manualmente el nivel del circuito reductor de ruidos mediante esta función:

1. Oprima el botón **PF** asignado al sistema de “**Silenciamiento**” en el radio. El VX-6000 generará un tono de corta duración, haciendo que el icono “**SQL**” aparezca iluminado en la pantalla junto con el nivel de reducción en ese momento vigente.
2. Desplace posteriormente la perilla selectora de Canales para escoger el nivel de atenuación que desea aplicar.
3. Y por último, oprima nuevamente esta tecla, en cuyo caso el radio generará un tono de corta duración, restableciéndose la indicación del canal de tráfico regular en la pantalla del radio.

COMP (Compander)

Presione el botón del **PF** asignado a la función del “**COMP**” para dar vuelta al “Compander” IC encendido o apagado.

Este IC contiene dos circuitos variables del aumento configurados para comprimir y ampliar el rango dinámico al radio transmitido y recibió señal de audio.

Cuando usted permite esta función, el radio signal-to-noise se puede mejorar mediante la reducción el rango dinámico audio transmitido.

Unidad Criptográfica (Optativa)

Cuando el Codificador de la Voz ha sido habilitado y se presiona el botón **PF** asignado a la Criptografía de mensajes, se activa y desactiva alternativamente la función de la referida unidad en el radio.

ACCESORIOS OPTATIVOS

Micrófono	MH-25_{B7A}
Micrófono Reforzado con Supresor de Ruidos	MH-53_{A7A}
Micrófono DTMF Reforzado con Supresor de Ruidos	MH-53_{B7A}
Micrófono Reforzado	MH-53_{C7A}
Software de Programación	CE35
Cable de Programación para Radio (Requiere la unidad VPL-1)	CT-70
Cable de Programación para Radio	CT-71
Cable de Programación de Radio a Radio	CT-72
Cable para el Kit RMK-4000 (6 m)	CT-81
Cable para el Kit RMK-4000 (2.5 m)	CT-82
Cable para el Kit RMK-4000 (0.6 m)	CT-83
Unidad de Control	CNT-6000
Sección RF (para instalaciones de dos bandas)	RF DECK con MMB-75
Kit Remoto (para tranceptor individual)	RMK-4000SH
Kit Remoto (para instalaciones de dos cabezas)	RMK-4000DH
Kit Remoto (para instalaciones de dos bandas)	RMK-4000DB
Kit Remoto (para instalaciones de dos bandas y dos cabezas)	RMK-4000DBH
Unidad de Decodificación de 2 tonos (Requiere la unidad FIF-7)	F2D-8
Unidad de Codificación y Decodificación de 5 tonos (Requiere la unidad FIF-7)	F5D-14
Unidad de Troncalización "VX-Trunk"	VTP-50
Unidad Criptográfica y de Llamada de Búsqueda DTMF (Requiere la unidad FIF-7)	FVP-25
Fuente de Alimentación de 30A Externa	FP-1030
Parlante Portátil (Potencia Máx. de 12 W)	MLS-100
Consola de Montaje Móvil	MMB-79
Consola de Montaje Fija	MMB-77
Tablero de Interconexión (para F2D-8, F5D-14, VTP-50, FVP-25)	FIF-7
Tablero de Interconexión (para accesorios)	CN-6

This device complies with Part 15 of the FCC rules.
Operation is subject to the condition that this device
does not cause harmful interference.



Copyright 2002
VERTEX STANDARD CO., LTD.
All rights reserved

No portion of this manual
may be reproduced without
the permission of
VERTEX STANDARD CO., LTD.

Printed in Japan.

0203d-0Y



E C 0 2 4 U 7 5 0