

DJ-180 DJ-1400

Service Manual

CONTENTS

SPECIFICATIONS		PC BOARD VIEW	
1) General	2	1) VCO Unit	24
2) Transmitter.	2	2) JACK Unit	24
3) Receiver	2	3) PTT Unit Side B	24
4) Functions for Each Version	3	4) PS Unit	25
CIRCUIT DESCRIPTION		5) ROM1 Unit Side B	25
1) Receiver System	4	6) ROM2 Unit Side B	25
2) PLL VCO Circuit.	5	7) RF Unit Side A	26
3) Transmitter System	5	8) RF Unit Side B	27
4) DTMF Encoder Circuit (option).	6	9) CPU Unit Side A.	28
5) Tone Squelch Circuit (option)	6	10) CPU Unit Side B	29
6) Microprocessor and Peripheral Circuit	6	11) RE Unit	30
7) Terminal Function of Microprocessor	7	12) CTCSS UniL	30
SEMICONDUCTOR DATA		13) DTMF Unit.	31
1) LR408721	10	PARTS LAST	
2) M5218FP	10	CPU unit	32
3) M5236ML.	10	PS unit.	32
4) MB1504LPF	11	ROM1 Unit	33
5) MC3357	11	DTMF Unit	33
6) MX365	12	RF Unit	33 ~ 36
7) NJM386	13	Vco unit	37
8) RH5VA32AA.	13	CTCSS Unit	37
9) RH5VA45AA.	13	PTT SW Unit	38
10) X24C01A	14	JACK Unit	38
11) X24C04S14	14	RE Unit	38
12) X24C16S14	14	Others	38
13) Transistor, Diode and LED Outline Draw	15	ROM2 Unit.	38
14) LCD Connection.	16	PACKING	38
EXPLODED VIEW		Parts Table for Each Version.	39
1) Rear Case 1	17	ADJUSTMENT	
2) LCD	17	1) Required Test Equipment.	40
3) Rear Case 2	18	2) Before Adjustment	40
4) Front Case 1	19	3) Adjustment for DJ180, DJ1400	41
5) Front Case 2	20	4) Adjustment for DJ1400AN/QN	42
6) Front Case 3 and Battery Terminal	21	5) Adjustment Quick Reference	43
7) Ten Key Cover and Key Pad Panel	22	6) Adjustment Points.	43 ~ 44
8) CTCSS Unit and ROM1 Unit	23	CIRCUIT DIAGRAM	
			45 ~ 46
		BLOCK DIAGRAM	
			47

ALINCO INCORPORATED

TWIN 21 M.I.D. TOWER BUILDING 23F, 1-61, 2-CHOME,
SHIROMI CHUO-KU , OSAKA, 540-8580 JAPAN

Tel (81)6-6946-8150 fax (81)6-6946-8175

e-mail: export@alinco.co.jp

SPECIFICATIONS

DJ-180

1) General

Frequency Coverage:

RX: 137.000 ~ 173.995MHz (T, TM version)
TX: 144.000 ~ 147.995MHz (T, TM version)
RX: 137.000 ~ 173.995MHz (TA, TB, TA2, TB2 version)
TX: 137.000 ~ 173.995MHz (TA, TB, TA2, TB2 version)
RX/TX: 144.000~145.995MHz(TS, TSA, TZ, E, EA, EB version)

Frequency Resolution: 5, 10, 12.5, 15, 20, 25kHz steps
Memory Channels: 10 Channels (standard)
Antenna Impedance: 50 ohm unbalanced
Signal Type: F3E(FM)
Power Supply Requirement: DC 5.5V~13.8V (Rated 7.2V Ni-Cd)
Dimensions: Approximately 132(H) x 58(W) x 33(D) mm
Weight : Approximately 350g

2) Transmitter

Output Power.l

5.0W with Optional 12V Ni-Cd Battery
2.0W with Standard 7.2V Ni-Cd Battery
(144.000~147.995MHz)
(160.000~165.000MHz)... TA2, TB2 only

Modulation System: Variable Reactance Frequency Modulation
Max. Frequency Deviation: +/- 5kHz
Tone Frequency: 67.0 to 250.3Hz -38 Subaudible Encoding Tones
(E, EA, EB version: option)
DTMF Encoder: (TZ, EB version: option)
Tone Burst: (E, EA, EB version only)

3) Receiver

Receiver System: Double-Conversion Superheterodyne
Intermediate Frequency.' 1st IF: 21.4MHz
2nd IF: 455kHz
Sensitivity: 12dB SINAD less than -10dBu
(144.000~17.995MHz)
(160.000~165.000MHz)... TA2, TB2 only

SPECIFICATIONS

DJ-1400QN / AN (The Narrow Version)

1) General

Frequency Coverage: 136.000 ~ 155.000MHz (AN version)
150.000 ~ 173.995MHz (QN version)

Frequency Resolution: 5, 10, 12.5, 15, 20, 25kHz steps
Memory Channels: 10 Channels (standard)/option 50 and 200ch
Antenna Impedance: 50 ohm unbalanced
Signal Type: F3E(FM)
Power Supply Requirement: DC 5.5V~13.8V (Rated 7.2V Ni-Cd)
Dimensions: Approximately 132(H) x 58(W) x 33(D) mm
Weight : Approximately 350g

2) Transmitter

Output Power.l 5.0W with Optional 12V Ni-Cd Battery
2.0W with Standard 7.2V Ni-Cd Battery

Modulation System: Variable Reactance Frequency Modulation
Max. Frequency Deviation: +/- 2.5kHz
Tone Frequency: 67.0 to 250.3Hz -38 Subaudible Encoding Tones
Time Out Timer 0 to 450 sec
Time Out Penalty 0 to 15 sec

3) Receiver

Receiver System: Double-Conversion Superheterodyne
Intermediate Frequency.' 1st IF: 21.4MHz
2nd IF: 455kHz
Sensitivity: 12dB SINAD less than -16dBu
AF Output 200mW (10% THD)

4) Functions for Each Version

Function Version	RX Frequency Range	TX Frequency Range(facto	Tone Burst	CTCSS	DTMF	BAND	Final Operatio n
DJ-180T	130~174	144~148	x	O	O		R+LA
DJ-180TA	130~174	130~174	x	O	O		R+LA
DJ-180TA2	130~174	130~174	x	O	O	H	R+LA
DJ-180TB	130~174	130~174	x	O	O		R+LA
DJ-180TB2	130~174	130~174	x	O	O	H	R+LA
DJ-180TM	130~174	144~148	x	O	O		R+LA
DJ-180TS	144~146	144~146	x	O	O		R
DJ-180TSA	144~146	144~146	x	O	O		R
DJ-180TZ	144~146	144~146	x	O	x(with16keys)		R
DJ-180E	144~146	144~148	O	A(option)	O		R
DJ-180EA	144~146	144~146	O	A(option)	O		R
DJ-180EB	144~146	144~146	O	A(option)	x		R
DJ-1400	130~174	130~174	x	O	x		R+LA
DJ-1400A	130~174	130~174	x	O	x		R+LA
DJ-1400B	130~174	130~174	x	X	x		R+LA
DJ-1400F	130~174	130~174	x	O	x		R+LA
DJ-1400G	130~174	130~174	x	X	x		R+LA
DJ-1400TM	130~174	130~174	x	O	x		R+LA
DJ-1400AN	136~155	130~174	x	O	x		R+LA
DJ-1400QN	150~174	130~174	x	O	x		R+LA

Final Operation

R: Press and hold the "F" key and turn on the radio.

R+LA: Press and hold the "F" and "LAMP" keys and turn on the radio.

Note: The expanded frequency will return to the initial setting' if you reset the radio with.."R" operation after 'R + LA" operation. To resume the expanded frequency . reset the radio again with.."R + LA" operation.

CIRCUIT DESCRIPTION

1) Receiver System

The receiver system is the double superheterodyne. The first IF is 21.4MHz and the second IF is 455kHz.

1. Front End
The signal from the antenna is passed through a low-pass filter and input to the RF coil L4.
The signal from L4 is amplified by Q1 and led to the band pass filter (L5, L6, L7), and led to the first mixer gate of Q2.
2. First Mixer
The amplified signal (fo) by Q1 is mixed with the first local oscillator signal (fo -21.4MHz) from the PLL circuit by the first-stage mixer Q2 and so is converted into the first IF signal.
The unwanted frequency band of the first IF signal is eliminated by the monolithic crystal filter (XF1), and led to IF amplifier Q3.
3. IF Amplifier
The first IF signal is amplified by Q3, and input to pin16 of IC1, where it is mixed with the second local oscillator signal (21.855MHz) and so is converted into the second IF signal (455kHz).
The second IF signal is output from pin3 of IC1, and unwanted frequency band of the second IF signal is eliminated by a ceramic filter (FL1).
The resulting signal is then amplified by the second IF limiting amplifier, and detected by quadrature circuit. The audio signal is output from pin of IC1.
4. Audio Circuit
The detected signal from IC1 is passed through the low-pass filter and led to the flat amplifier Q13. When the optional Tone Squelch unit is equipped, the tone signal is eliminated by IC701.
Q13 is switched ON/OFF by AFC signal from CPU.
The audio signal is input to the main volume (VR3) and amplified by the power amplifier IC3 to drive the speaker.
The power supply voltage of IC3 is limited by AF regulator consisting of Q14 and Q15 to prevent the speaker from overdriving. The power supply voltage of IC3 is switched ON/OFF by AFP signal.
5. Squelch Circuit
The noise in the audio signal from IC1 is passed through the squelch control variable resistor (VR4) and input to pin10 of IC1. The audio signal is amplified by filter amplifier of IC1 and output to pin11. The desired noise of the audio signal is eliminated by the high-pass filter and amplified by Q12. The resulting signal is rectified by D13 and then input to pin12 of IC1. When the squelch circuit is close, pin13 of IC1 goes to "low". When the squelch circuit is open or a signal is received, pin13 goes to "high", then the signal of pin13 is led to CPU.

2) PLL, VCO Circuit

Output frequency of PLL circuit is set by the serial data (pin9: clock, pin10: data, pin11 : toad enable) from microprocessor.

PLL circuit consists of VCO Q201, buffer amplifier Q202 and Q17.

When PLL is locked, pin7 of IC2 goes to "high" and UNLOCK SW Q19 becomes OFF, then T.MUTE signal goes to "low".

The pulse wave output of charge pump is converted to DC voltage by PLL loop filter circuit, and supplied to D201 , D202 of varicap diode in VCO unit. The VCO tune voltage is applied to the varicaps D3, D4, D5 and D6 in the frontend.

The frequency modulation is executed when the audio signal voltage is supplied to the varicaps D201, D202 and D203.

3) Transmitter System

1. Microphone Amplifier

The voice from the internal or external microphone is led to the pre-emphasis circuit, and then input to the microphone amplifier IC4, which consists of two operational amplifiers.

The amplified signal is input to the low-pass filter IC4.

The output from the microphone amplifier is passed through variable resistors VR2 for modulation adjustment to varicap diode of the VCO, controlling the VCO frequency.

2. Power Amplifier

The signal from VCO is amplified by buffer amplifiers Q4 and Q5, and input to the buffer amplifiers Q6 and input to the power amplifier Q7. The amplified signal is output from Q7, and then passed through the low-pass filter, the antenna switch circuit and the output low-pass filter. The unwanted harmonics frequency signal is eliminated by the low-pass filter and input to the antenna. The LC matching circuits located between amplifiers of the transmitting circuit make the transmission smooth.

3. Automatic Power Control Circuit

The automatic power control(APC) circuit is used to obtain a stable transmission power. This circuit detects the transmission power by D8 in the low-pass filter consisting of L18, L19, C59, and C64. The detected DC voltage is supplied to APC circuit. When the detected voltage goes higher than the settled voltage, the bias voltage of APC amplifier Q9 goes to low. The collector voltage of APC amplifier Q10 goes to low and the power supply voltage of Q5 goes to low, and output power becomes small to prevent from the over power.

At low power the Power Control Switch Q8 lets the base voltage of APC DET Q11 and the collector voltage of APC AMP Q10 down, also switches between high power and low power, and inhibits the transmission.

4) DTMF Encoder Circuit (option)

The DTMF signal corresponding to the combination of the column and row is output from tone output pin17 of IC401 Encoder, producing a frequency-modulated RF output. The Q401 switches the DTMF Encoder when IC401 is active during DTMF transmission.

5) Tone Squelch Circuit (option)

1. Decoder

The second IF signal from pin11 of IC1, and input to the tone squelch decoder IC701.

When the tone squelch decoder IC701 decodes the input tone signal frequency as the programmed frequency, pin13 goes to "Low". The signal is input to pin16(DET) of IC107, and the squelch goes off.

When the Tone squelch decoder IC701 does not decode the input tone signal frequency as the programmed frequency, pin13 goes to "High".

2. Encoder

The tone signal is output from pin16 of IC701, producing a frequency-modulated RF output.

6) Microprocessor (CPU) and Peripheral Circuit

Refer to "Terminal Function of Microprocessor" about each terminal function.

1, BS Mode

When the Squelch is closed for more than 5 seconds, the radio goes into the BS(Battery Save) mode automatically. Pin11 (R5C) and pin19 become High or Low periodically. Open the Squelch, and the radio does not go into the BS mode.

2. Backup Reset

When the voltage detector circuit IC303 detects a decrease in the C5V line, CPU RAM data is stored in the EEPROM IC, IC601. IC 302 is also the voltage detector circuit and it detects the lower voltage than IC303. The circuit detects a increase in the C5V line when power is turned on, and then the CPU will be initialized.

3. Reset

Press and hold the "F" key, then turn on the power. The radio will reset to initial factory settings.

Even if you expanded the frequency, it will return to the initial setting. To resume the expanded frequency, press and hold the "F" and "Lamp" keys, then turn on the power.

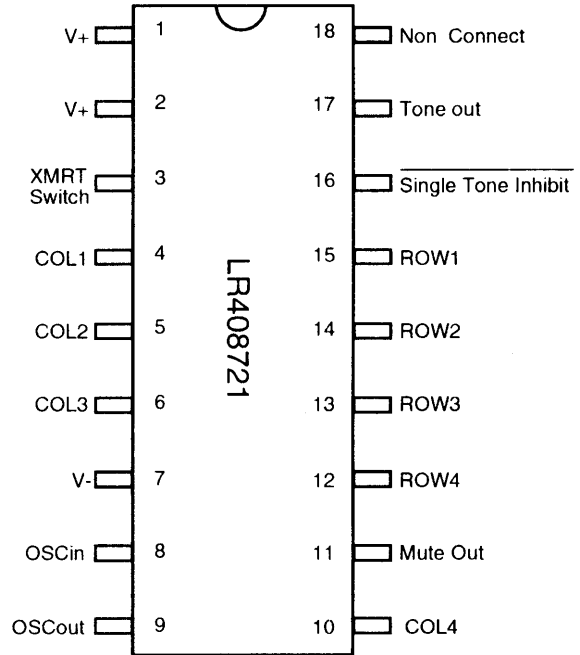
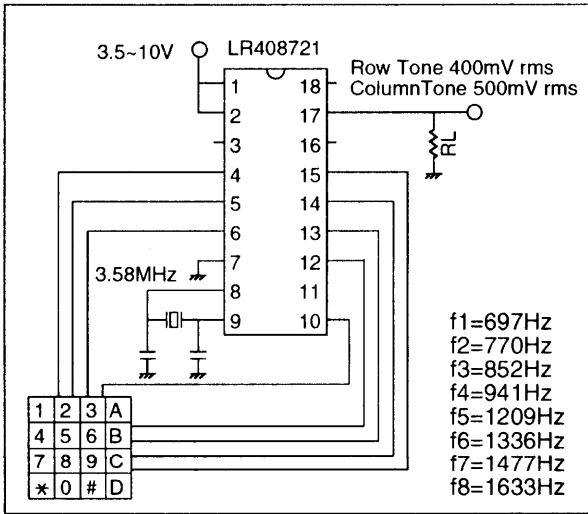
7) Terminal Function of Microprocessor

Name	I/O	Description	PinNo.	PinName	H	L
TBST	O	1750Hz Tone Burst Output	9	P57/PWM3	Normal:H(HiZ)	Output:Pluse
BEEP	O	Beep Tone Output	10	P56/PWM2	Normal:H(HiZ)	Output:Pluse
R5C	O	RX5V ON/OFF	11	P55/PWM1	ON	OFF
T5C	O	TX5V ON/OFF	12	P54/PWM0	ON	OFF
AFP	O	AF Power Amplifier ON/OFF	13	P53/SIG	ON	OFF
AFC	O	IF Mute Output	14	P52/CNT2	Mute OFF	Mute ON
M.MUTE	O	Microphone Mute Output	15	P51/CNT1	during Tone Burst Tansmission	Normal
RE1	I	Rotary Encoder Input 1	16	P50/INT3		
LAMP	O	Lamp ON/OFF Switch	17	P37/SRDY	ON	OFF
BAT	I	Battery Low Indicator Input	18	P36/CLK	Low	Normal
P5C	O	PLL Power ON/OFF	19	P35/SOUT	ON	OFF
EICD	I	EEPROM Unit Detection	20	P34/SIN	Equipped	Nothing
XWR	I	External EEPROM Write Cycle Detection	21	P33rr	Normal	Write cycle
RE2	I	Rotary Encoder Input 2	22	P32/INT2		
SCOM	O	Band Plan Scan Output	23	P31/XCIN	H(Hiz)	Low Active
P.H/L	O	Transmit Power Switch	24	P30/XCOUT	Low Power	High Power
BU	I	Back up Mode Input	25	INT1	Normal	Negative Edge Triggered
			26	CNVss		
RES	I	Reset Input	27	RESET	at Work	on Reset
		Clock Input 3.58MHz	28	XIN		
		Clock Output 3.58MHz	29	XOUT		
		Ground	30	Vss		
TSQD	I	Tone Detecton Input	31	P17	Undetected	Detected
TICD	I	Tone Unit Detection	32	P16	Nothing	Equipped
BP1	I	Band Plan(TX)	33	P15	Expanded	Normal
BP2	I	Band Plan(RX)	34	P14	Expanded	Normal
BP3	I	Band Plan(TX,RX)	35	P13	Expanded	Normal
BP4	I	Band Plan(Channelstep)	36	P12	Expanded	Normal
BP5	I	Band Plan(OffsetFreq.)	37	P11	Expanded	Normal
CH	I	Band Plan(ChannelDisp.)	38	P10	Expanded	Normal
SLC	O	Clock for EEPROM IC	39	P07	Normal:Hiz	Output: Pluse
SDA	I/O	Data for EEPROM IC	40	P06	Normal:Hiz	Output: Pluse
CLK	O	Clock for PLL,TONE IC	41	P05	Output:Pluse	Normal:L
DTA	O	Data for PLL,TONE IC	42	P04	Output:Pluse	Normal:L
STB1	O	Strobe for PLL IC	43	P03	Output:Pluse	Normal:L
STB2	O	Strobe for TONE IC	44	P02	Output:Pluse	Normal:L
FUNC	I	Function Key Input	45	P01	OFF	ON
SD	I	Signal Detection Input	46	P00	Received	Nothing
TBST	I	Tone Burst Key Input	47	P27	OFF	ON
CALL	I	CALL(APO)	48	P26	OFF	ON
LAMP	I	LAMP (FLJPL)	49	P25	OFF	ON
MONI	I	MONI(P.H/L)	50	P24	OFF	ON
TONE	I	TONE(MW)	51	P23	OFF	ON
V/M	I	V/M(OFFSET)	52	P22	OFF	ON
T.SCAN	I	T.SCAN(CH STEP)	53	P21	OFF	ON
PTT	I	PTT Key Input	54	P20	OFF	ON
			55	VL3		
			56	VL2		
			57	VL1		
COM0	O	Common Output	58	COM0		
COM1	O	Common Output	59	COM1		
COM2	O	Common Output	60	COM2		
			61	COM3		
SEG0	O	Segment Output	62	SEG0		
SEG1	O	Segment Output	63	SEG1		
SEG2	O	Segment Output	64	SEG2		
SEG3	O	Segment Output	65	SEG3		
SEG4	O	Segment Output	66	SEG4		
SEG5	O	Segment Output	67	SEG5		
SEG6	O	Segment Output	68	SEG6		
SEG7	O	Segment Output	69	SEG7		
SEG8	O	Segment Output	70	SEG8		
SEG9	O	Segment Output	71	SEG9		
SEG10	O	Segment Output	72	SEG10		
SEG11	O	Segment Output	73	SEG11		
SEG12	O	Segment Output	74	SEG12/P43		
SEG13	O	Segment Output	75	SEG13/P42		
SEG14	O	Segment Output	76	SEG14/P41		
SEG15	O	Segment Output	77	SEG15/P40		
SEG16	O	Segment Output	78	SEG16/IN7		
SEG17	O	Segment Output	79	SEG17/IN6		
SEG18	O	Segment Output	80	SEG18/IN5		
SEG19	O	Segment Output	1	SEG19/IN4		
SEG20	O	Segment Output	2	SEG20/IN3		
SEG21	O	Segment Output	3	SEG21/IN2		
SEG22	O	Segment Output	4	SEG22/IN1		
SEG23	O	Segment Output	5	SEG23/IN0		
		Ground	6	AVss		
		+4V	7	Vref		
		+4V	8	Vcc		

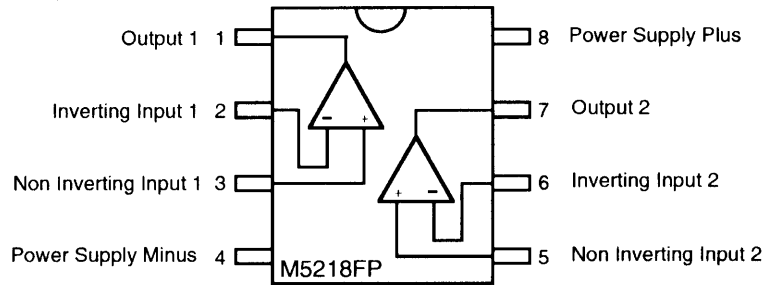
SEMICONDUCTOR DATA

1) LR408721 (XA0042) Tone Dialer

Test Circuit

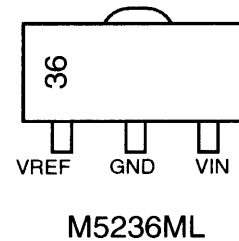
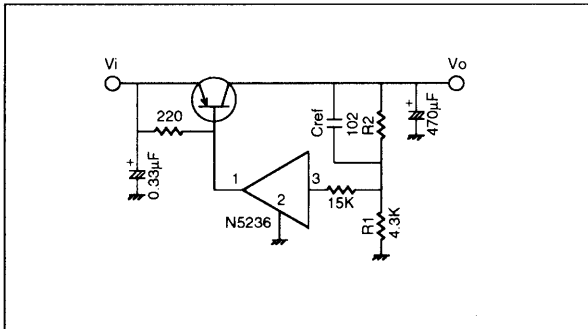


2) M5218FP (XA0068) Dual Low Noise Operational Amplifiers



3) M5236ML (XA0104) Voltage Regulator

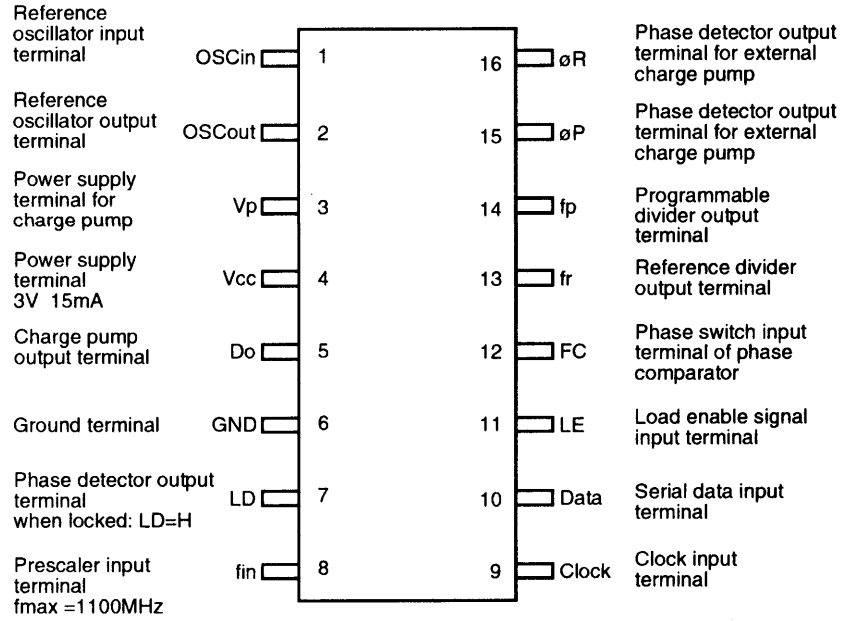
Test Circuit



4) MB1504LPF-G-BND-TF (XA0145) Frequency Synthesizer

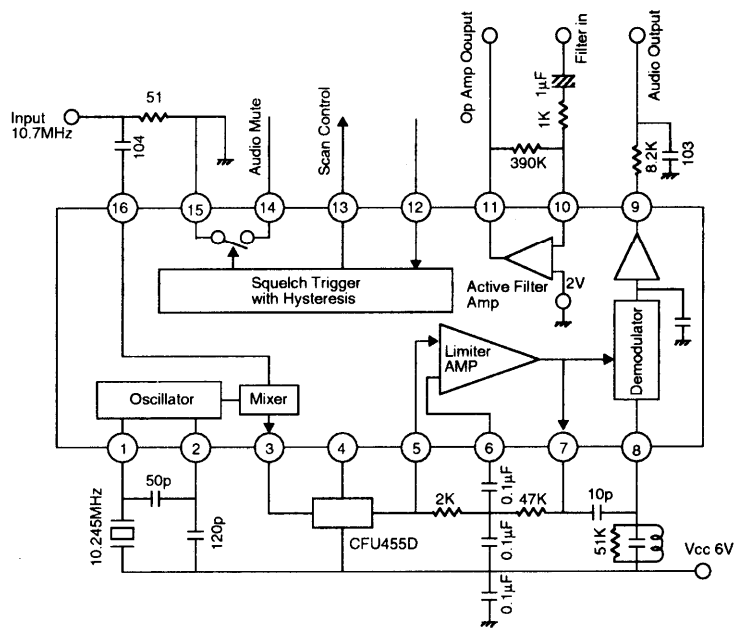
Function Table

FC input	P.D.input	Do output
High or Low	$f_r = f_p$	Hi Z
High	$f_r > f_p$	High
High	$f_r < f_p$	Low
Low	$f_r > f_p$	Low
Low	$f_r < f_p$	High

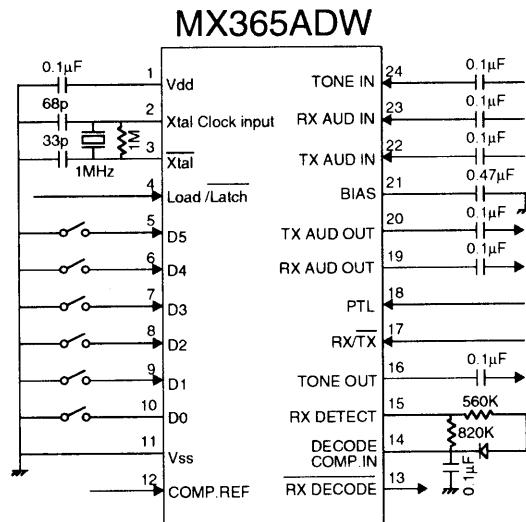


5) MC3357 (XA0063) Narrow Band FM IF IC

Vcc=6V
 F=10.7MHz
 Icc 3mA
 Limit 5µV -3dB
 Vo 350mV Dev=±3KHz



6) MX365 (XA0203) CTCSS Encoder/Decoder



Decode Comparator Ref: This pin is internally biased to $VDD/3$ or $2VDD/3$ via 1M resistors depending on the logical state of the Rx Tone Decode Out pin. Rx Tone Decode Out = 1 will bias this input $2VDD/3$; a logic "0" will bias this input $VDD/3$. This input provides the decode comparator reference voltage, and switching of bias voltages provides hysteresis to reduce "chatter" under marginal conditions.

Rx Tone Decode Out: This is the gated output of the decode comparator. This output is used to gate the RX Audio path. A logic "0" on this pin indicates a successful decode and that the Decode Comparator Input pin is more positive than the Decode Comparator Ref. input.

Decode Comparator Input: This is the inverting input of the decode comparator. This pin is normally connected to the integrated output of the Rx Tone Detect line.

Rx Tone Detect : In Rx mode this pin will go to logic '1' during a successful decode. It must be externally integrated to control response and deresponse times.

Tx Tone Out: The CTCSS sinewave output appears on this pin under the control of the Rx/Tx pin. This pin, when not transmitting a tone, may be biased to $VDD/2 - 0.7V$ or O/C .

Rx/Tx: This input (in parallel mode) selects Rx or Tx modes. In serial mode this function is serially loaded. This pin is internally pulled to VDD via a 1 M Ω resistor.

PTL: In parallel Rx mode this pin operates as a 'Press To Listen' function by enabling the Rx audio path, thus overriding the tone squelch function. In parallel Tx mode this pin reverses the phase of the transmitted CTCSS tone (used for squelch tail elimination). In serial mode this function is serially loaded.

Rx Audio Out: This is the high pass filtered receive audio output pin. This pin outputs audio when Rx TONE DECODE = 0, or PTL = 1, or when Notone is programmed. In Tx mode this pin is biased to $VDD/2$.

Tx Audio Out: This is the high pass filtered transmit audio output pin. In Tx mode this pin outputs audio present at the Tx Audio Input pin. In Rx mode this pin is biased to $VDD/2$.

Bias: This pin is the output of an internally generated $VDD/2$ bias level and would normally be externally decoupled to Vss via C7.

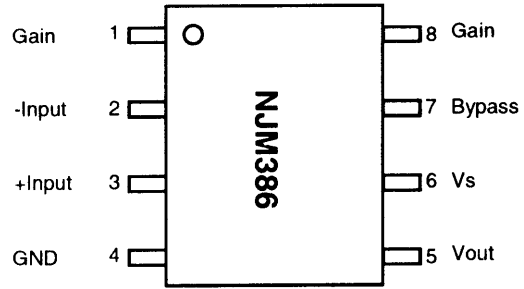
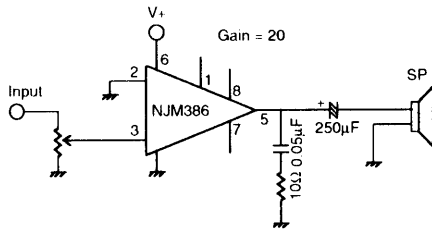
Tx Audio In: This is the Tx Audio input pin. In Tx mode it may be prefiltered, using the Tx audio path, thus helping to avoid talk off due to intermodulation of speech frequencies with the transmitted CTCSS tone. This pin is internally biased to $VDD/2$.

Rx Audio In: This is the input to the audio high pass filter in Rx mode. It is internally biased to $VDD/2$.

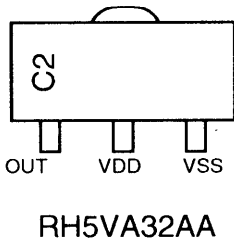
Tone Input: This is the input to the CTCSS tone detector. It is internally biased to $VDD/2$.

7) NJM386 (XA0061)
Dual Power Amplifiers

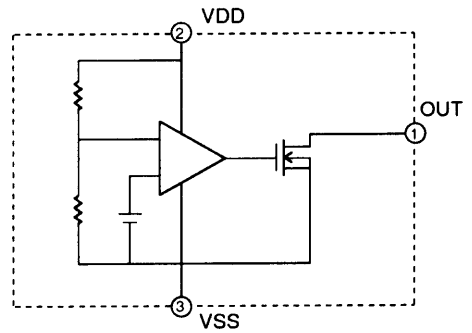
$V_{+}=9V$ $R_L=16\Omega$ $P_o=500mW$



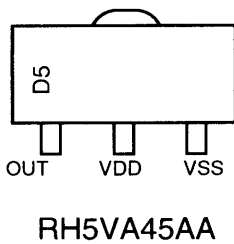
8) RH5VA32AA-T1 (XA0198)
C-MOS Voltage Detector



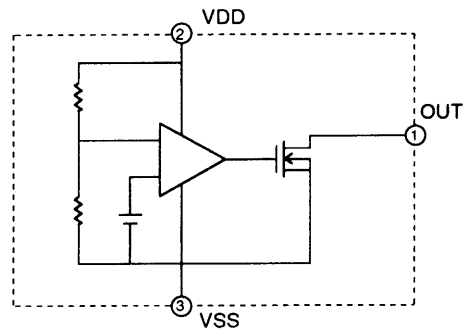
Equivalent Circuit



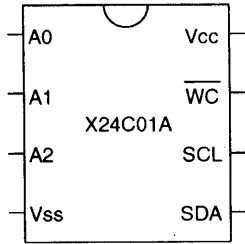
9) RH5VA45AA-T1 (XA0208)
C-MOS Voltage Detector



Equivalent Circuit



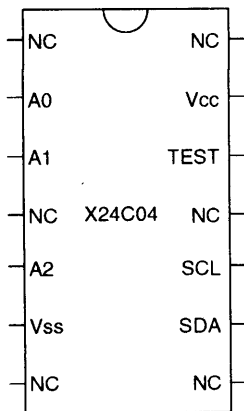
10) X24C01A (XA0199)
EEPROM 1024Bit



Pin Names

A0 ~ A2	Address inputs
SDA	Serial Data
SCL	Serial Clock
WC	Write Control
Vss	Ground
Vcc	+5V

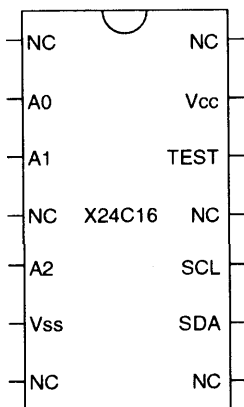
11) X24C04S14 (XA0200)
EEPROM 4096Bit



Pin Names

A0 ~ A2	Address inputs
SDA	Serial Data
SCL	Serial Clock
TEST	Hold at Vss
Vss	Ground
Vcc	+5V
NC	No Connect

12) X24C16S14 (XA0201)
EEPROM 16384Bit



Pin Names

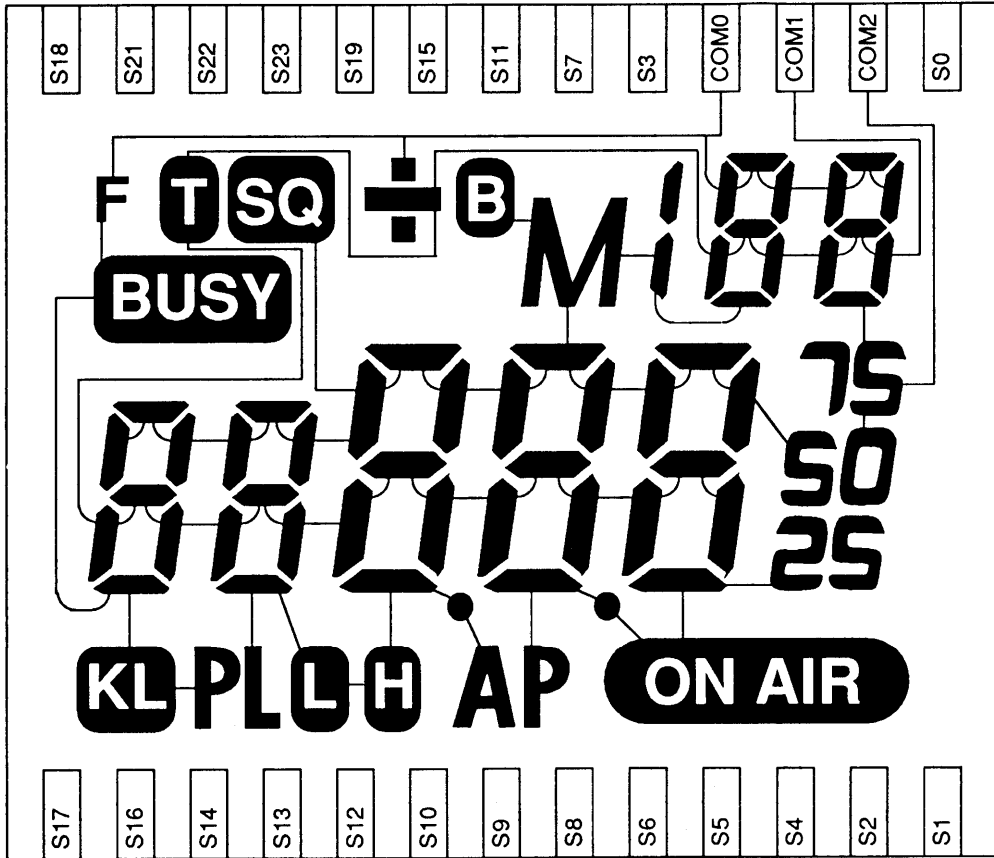
A0 ~ A2	Address inputs
SDA	Serial Data
SCL	Serial Clock
TEST	Hold at Vss
Vss	Ground
Vcc	+5V
NC	No Connect

13) Transistor, Diode and LED Outline Drawings

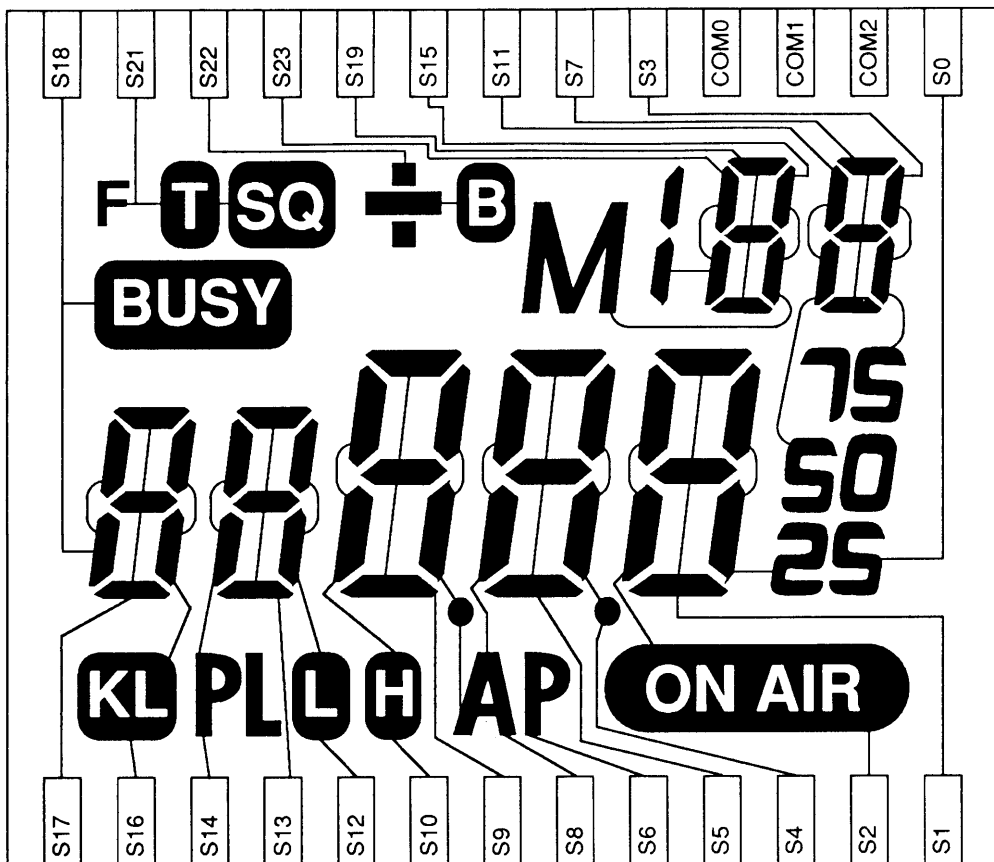
2SA1162 XT0068 C SG B E	2SA1213 XT0088 C NY B C E	2SC1971 XT0101 B E C	2SC2053 XT0052 Vottom View B C E	2SC2412 XT0037 C BR B E	2SC3356 XT0030 C R24 B E	2SC4081 XT0095 C BR B E	2SC4099 XT0096 C JP B E
2SC4393 XT0097 C ME B E	2SK302 XE0009 S TG D G	UN211L XU0039 C 6Q B E	UL211H XU0040 C 6P B E	UN2214 XU0038 C 8D B E	UN2115 XU0037 C 8E B E		
1SS184 XD0057 B3	1SV217 XD0233 3L	1SS226 XD0103 C3	1SS318 XD0129 	DTZ2.4A XD0147 2I	DTZ6.2A XD0137 1I	MA704WK XD0120 M2R	MA716 XD0118 M1U
RB450F XD0134 3F	RLS135 XD0066 	SLM-13MWS XL0016 					
XN111F XU0036 	XN1214 XU0035 	XN1A312 XU0041 	XN1401 XT0034 				
C1 C2 70 B1 E B2	C1 C2 9H B1 E B2	C1/B2 C2 4P E1 B1 E2	C1 C2 5V B1 E B2				

14) LCD Connection

COMMON

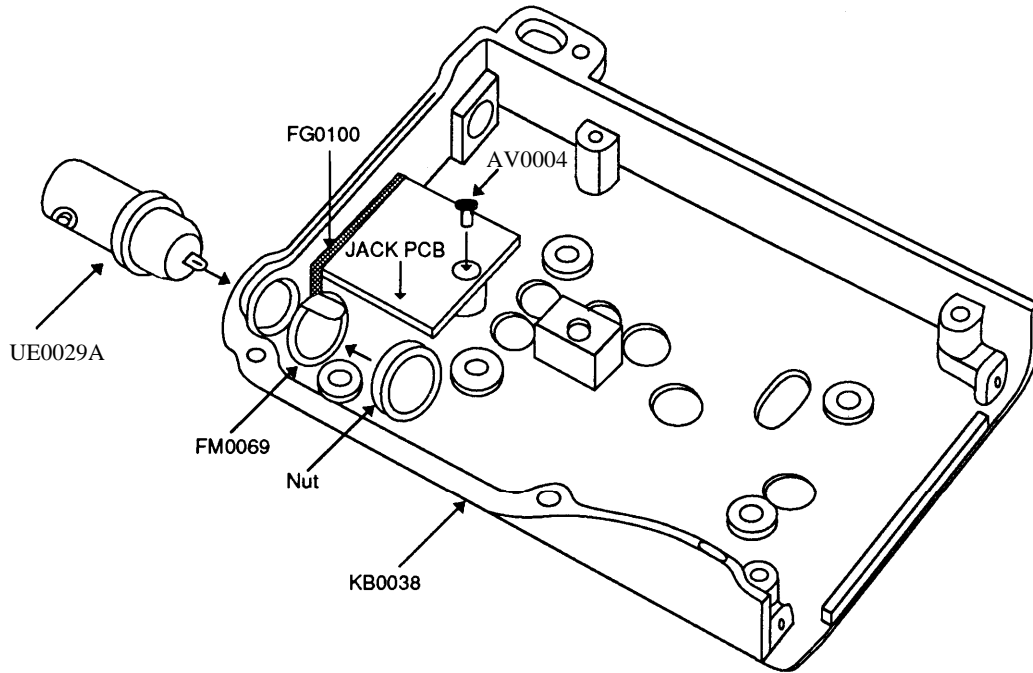


SEGMENT

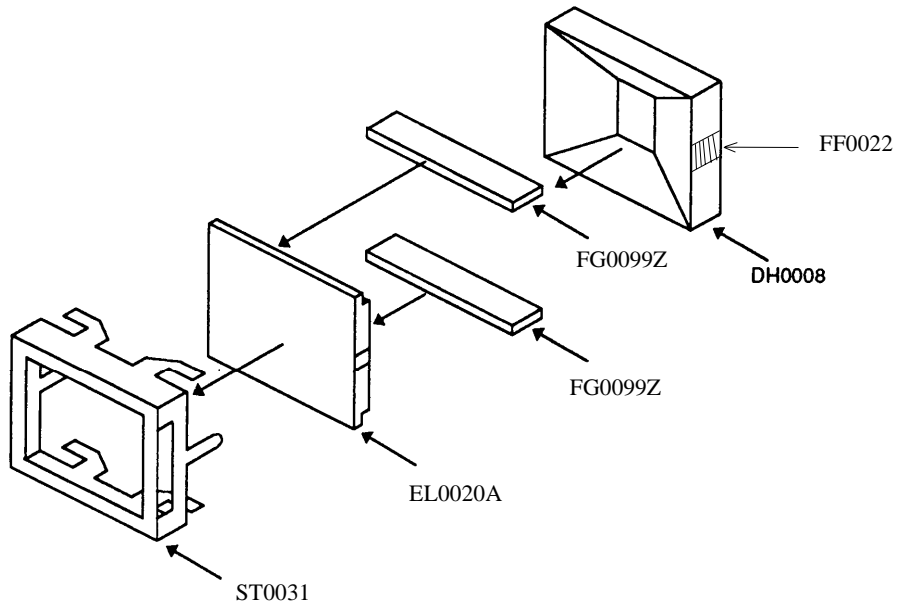


EXPLODED VIEW

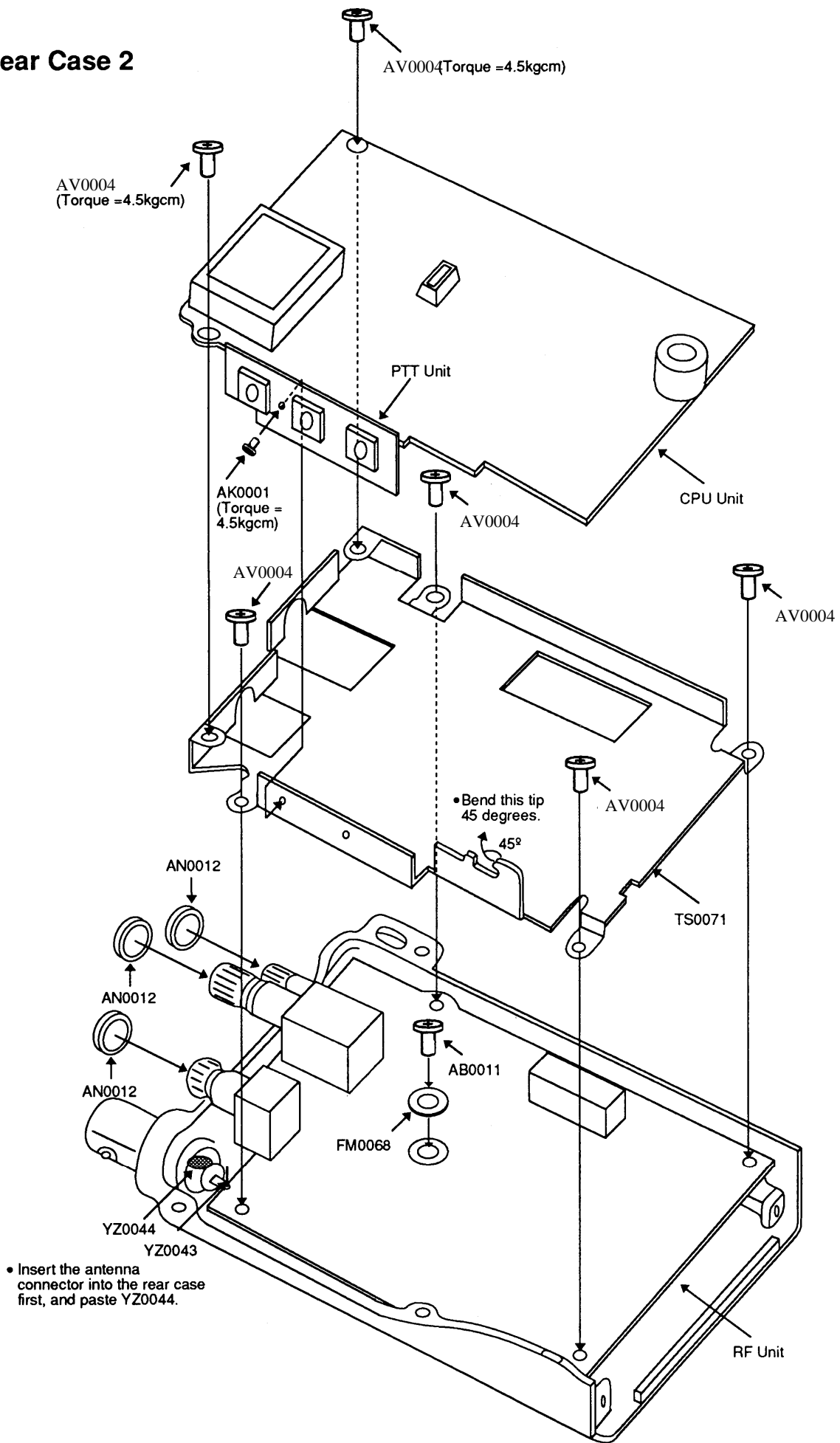
1) Rear Case 1



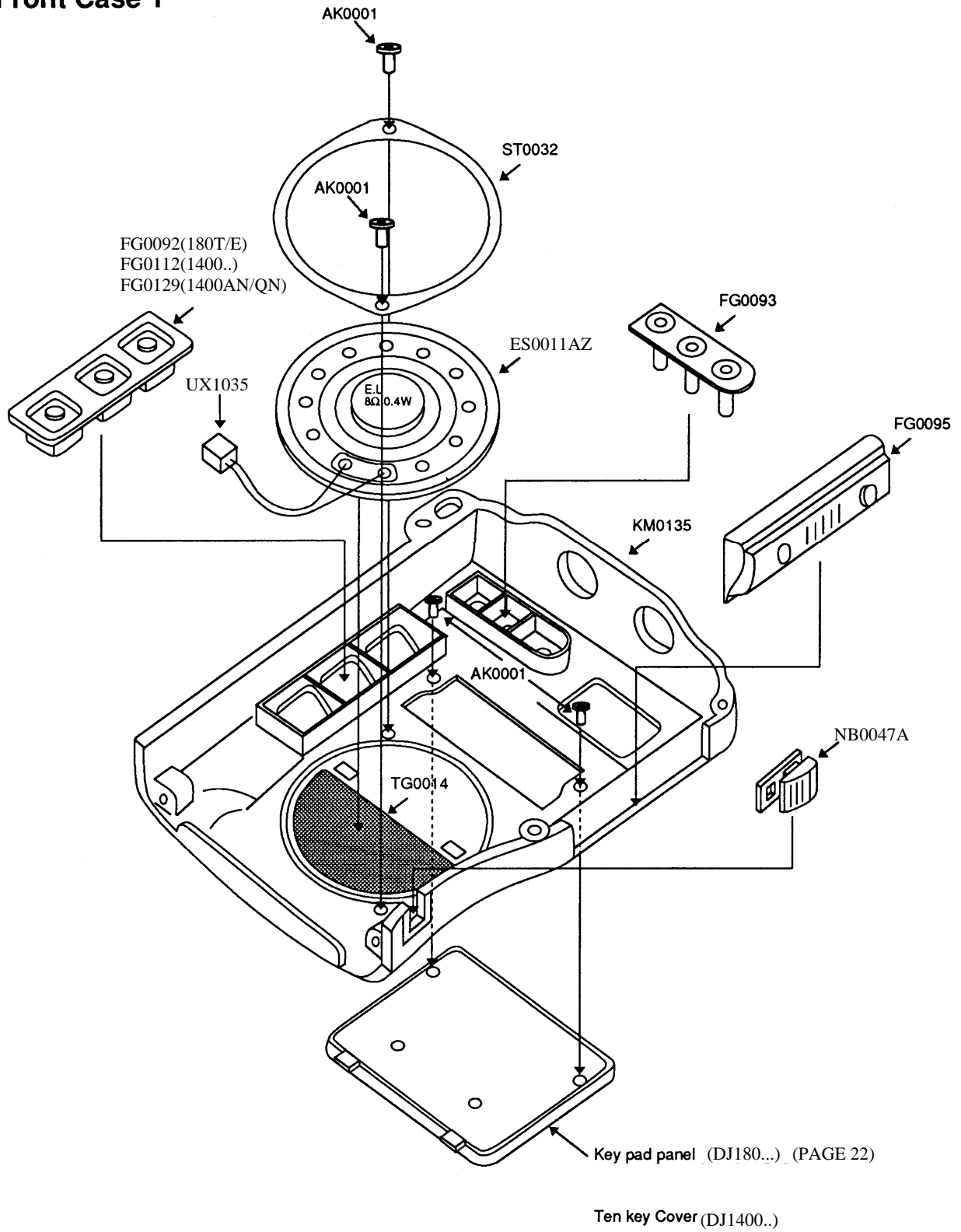
2) LCD Assembly



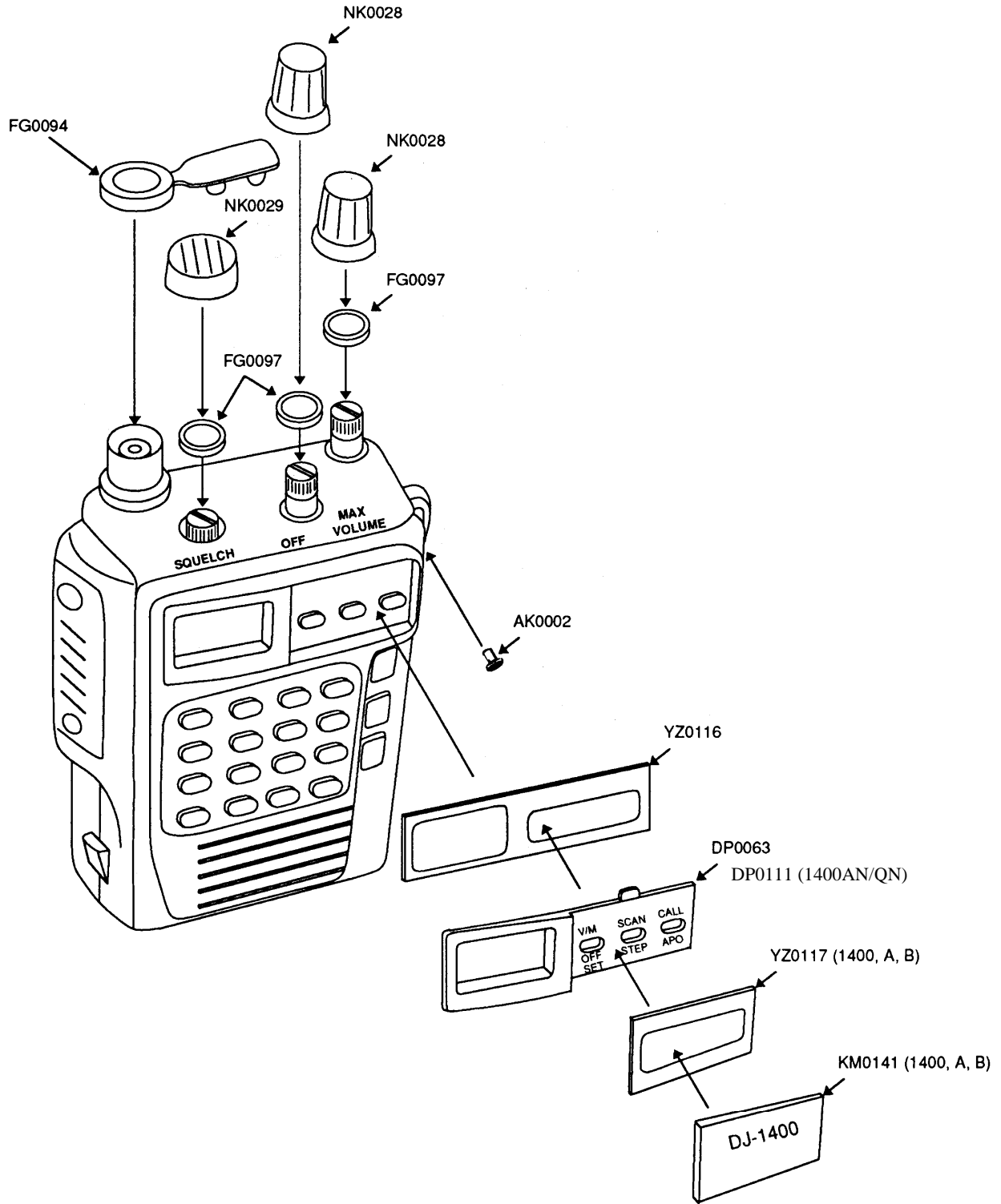
3) Rear Case 2



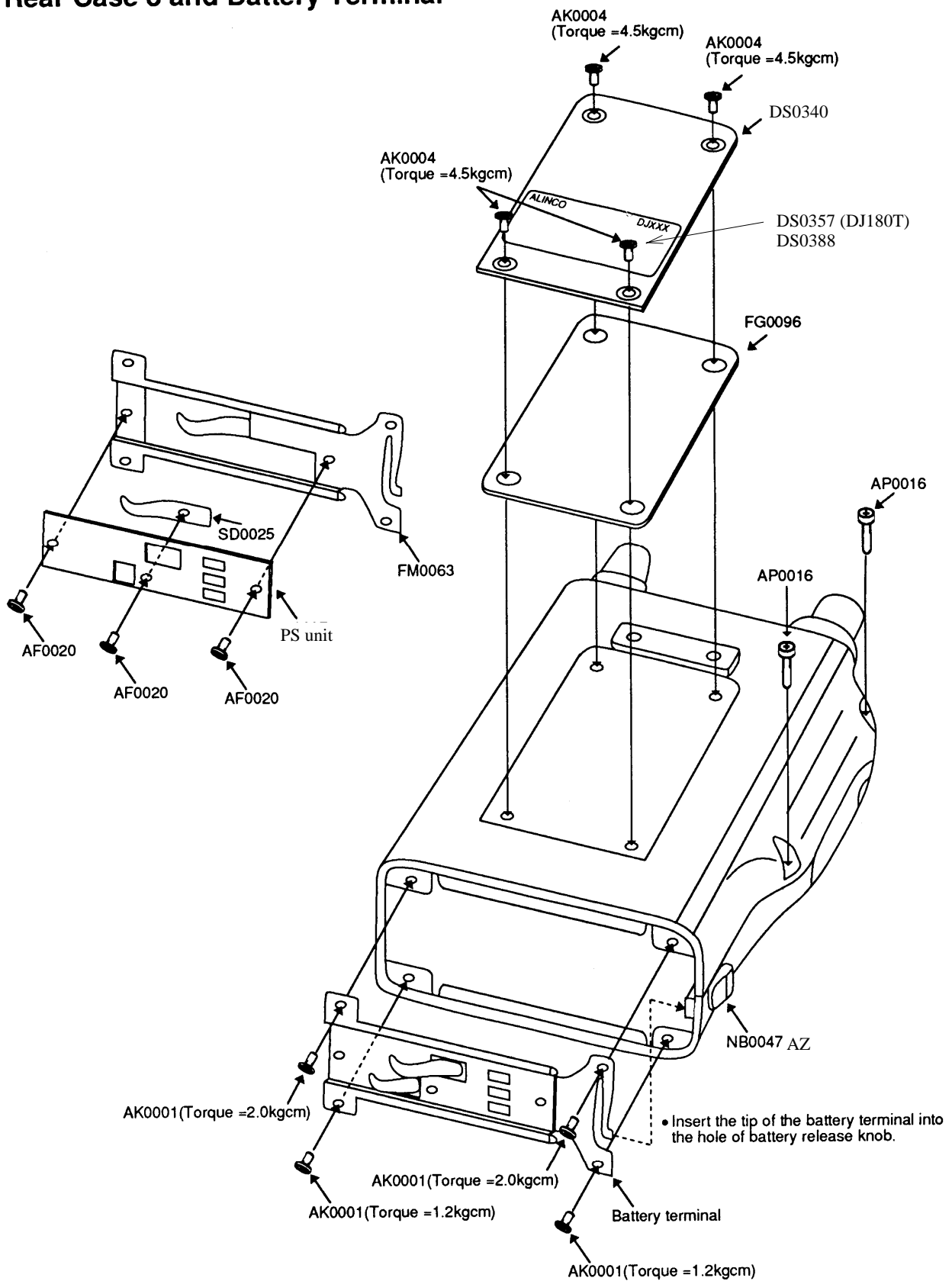
4) Front Case 1



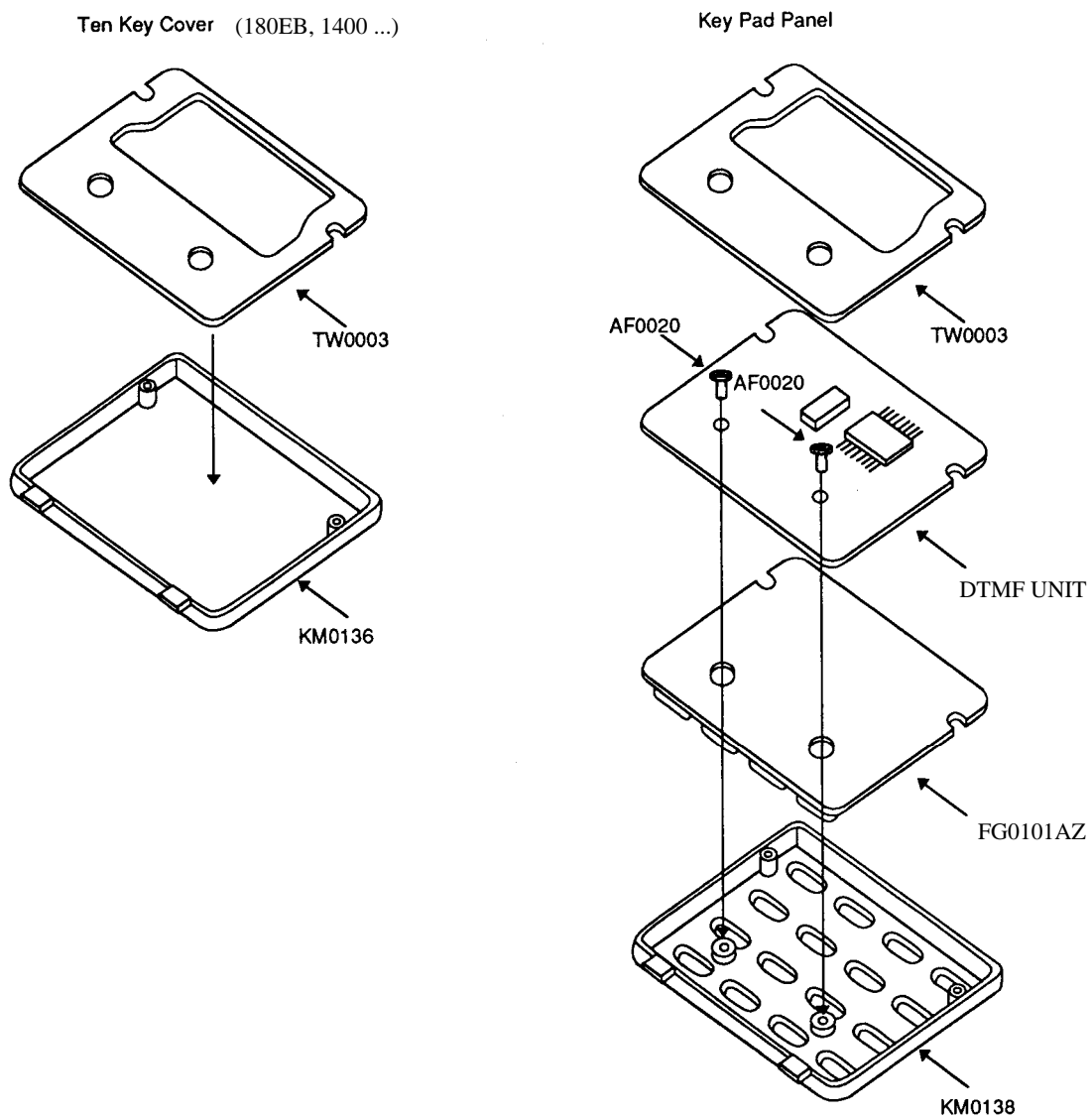
5) Front Case 2



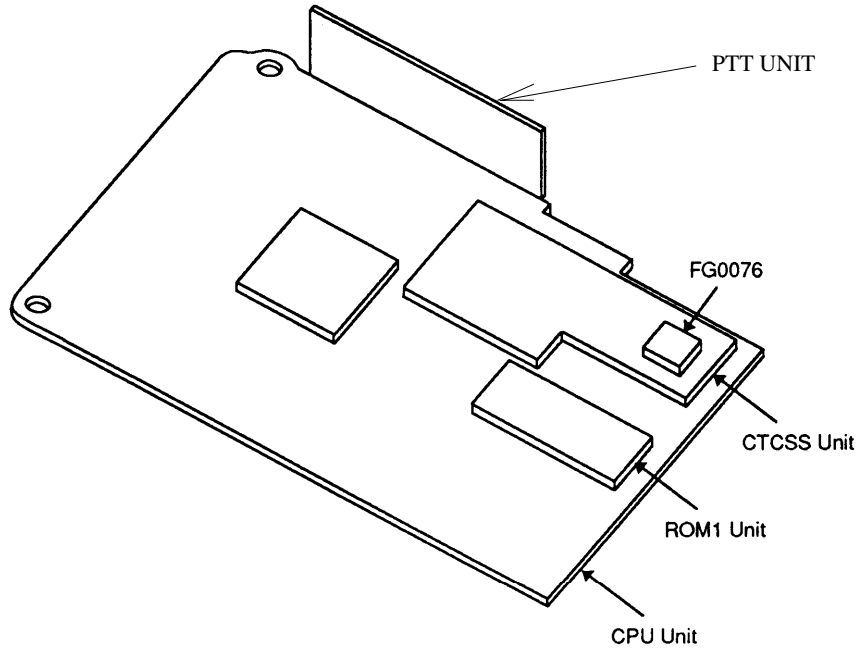
6) Rear Case 3 and Battery Terminal



7) Ten Key Cover and Key Pad Panel



8) CTCSS Unit and ROM1 Unit

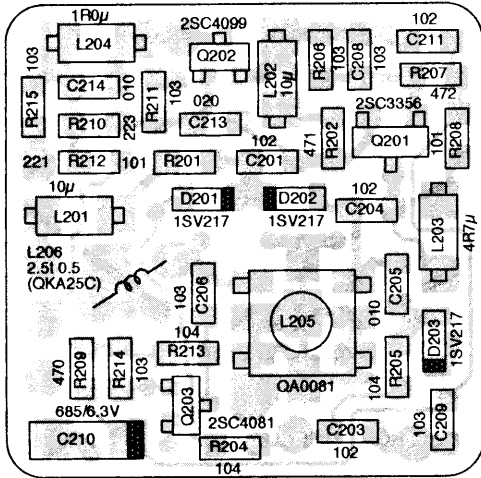


Model No.	DJ-180								DJ-1400				
	T	TA	TB	TS	TZ	E	EA	EB	A	B	AN	QN	
CTCSS Unit	1	1	1	1	1	0	0	0	1	1	0	1	1
ROM1 Unit	1	1	1	1	1	1	1	1	1	1	1	1	1

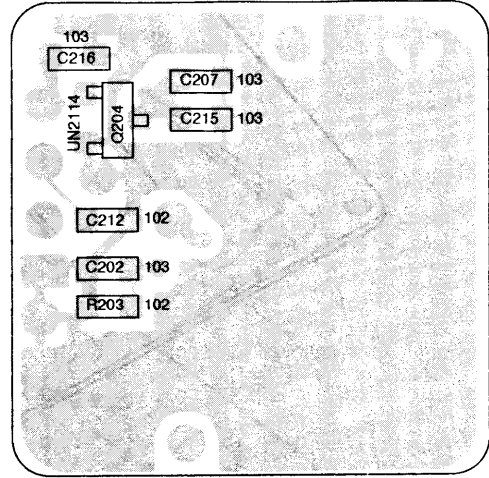
PC BOARD VIEW

1) VCO Unit

Side A

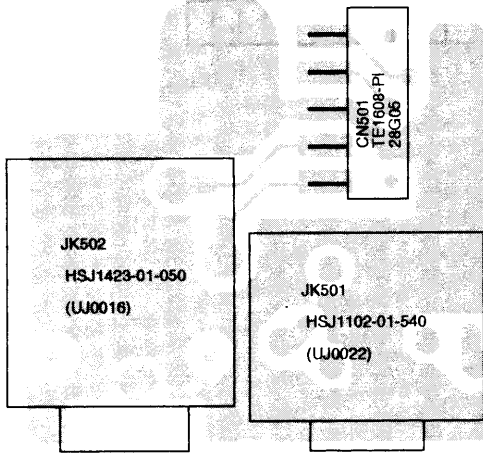


Side B

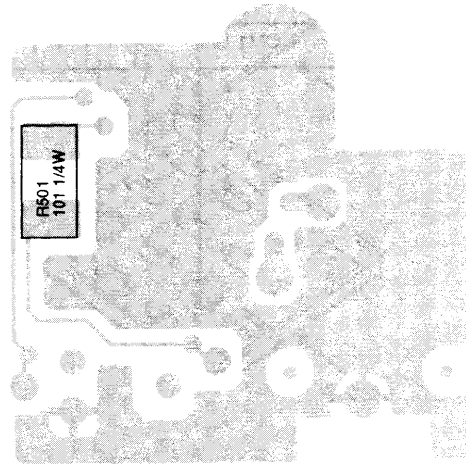


2) Jack Unit

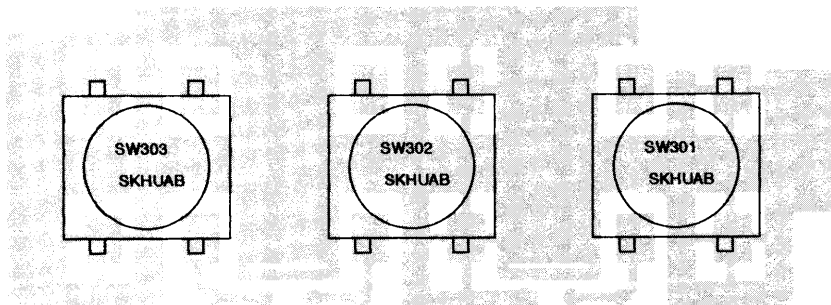
Side A



Side B

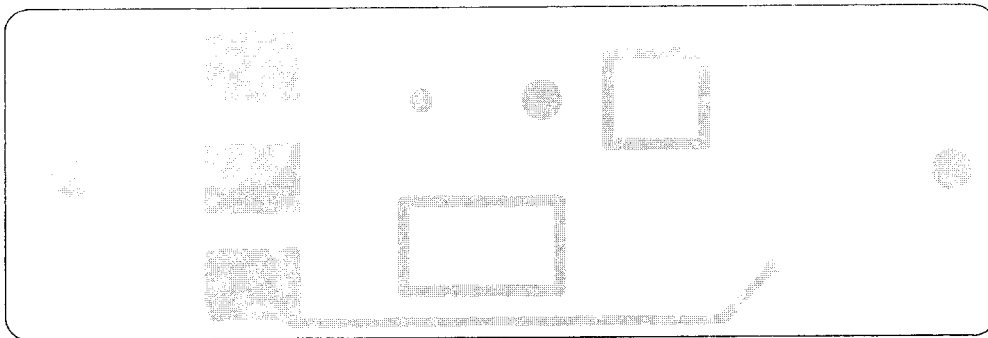


3) PTT Unit Side B

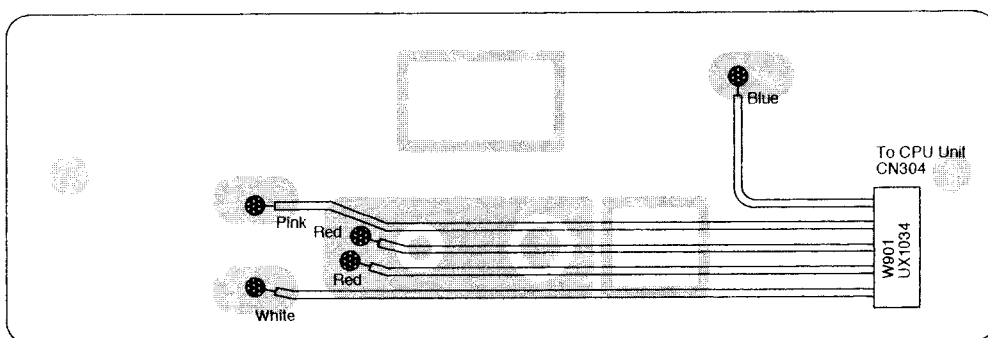


4) PS Unit

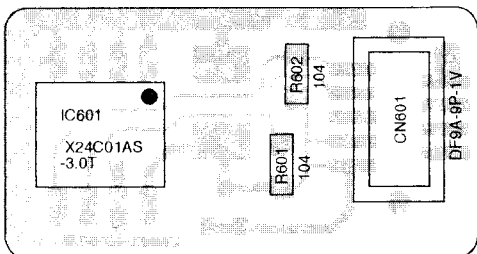
Side A UP0220 (1/2)



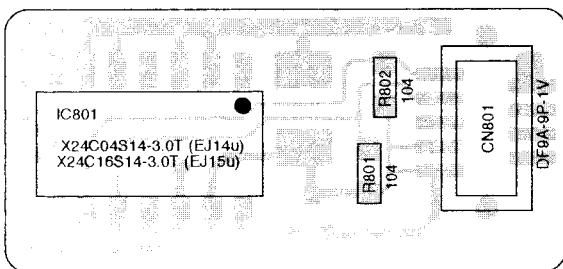
Side B



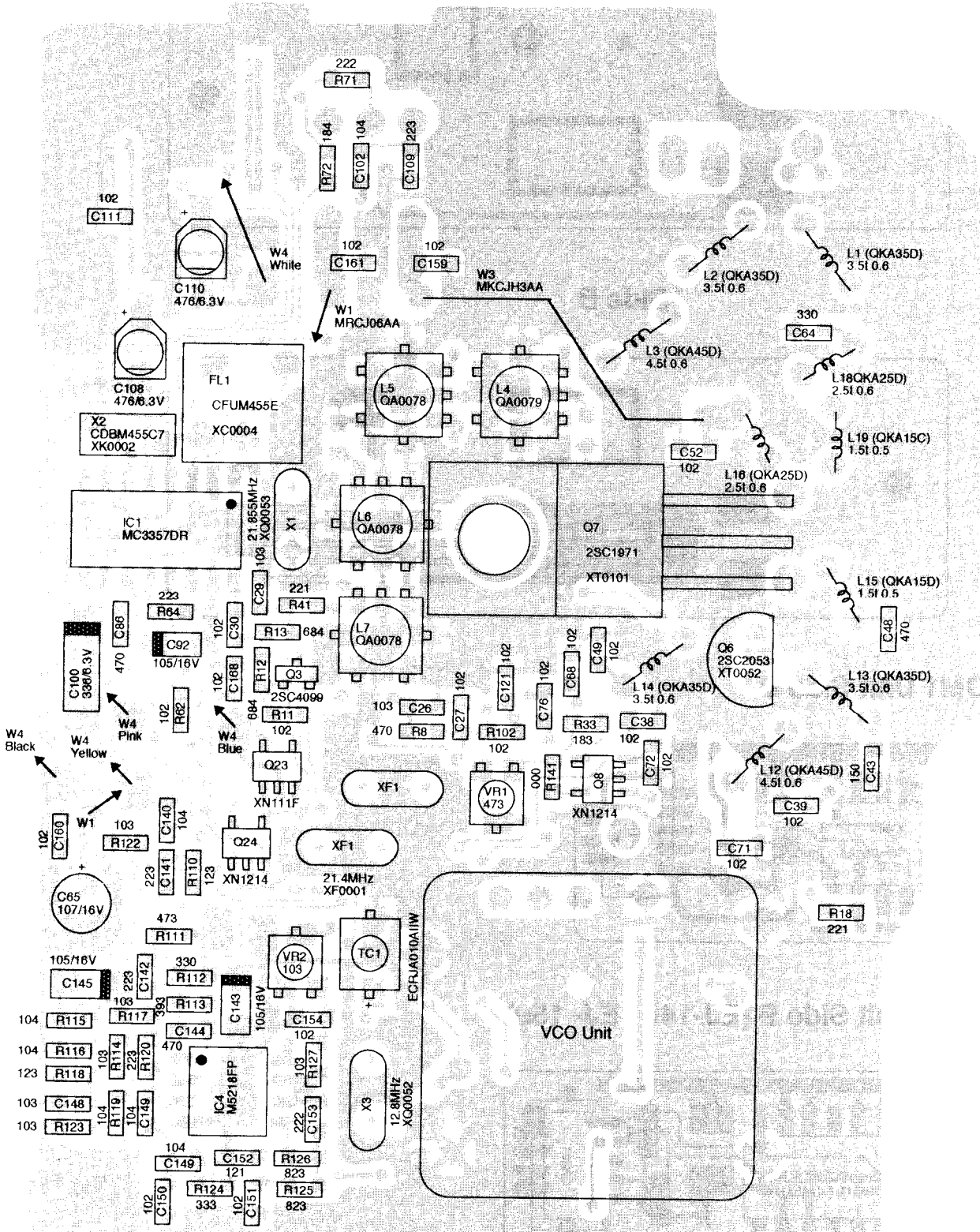
5) ROM1 Unit Side B UP0220 (1/2)



6) ROM2 Unit Side B (EJ-14u / EJ-15u) UP0220 (1/2)

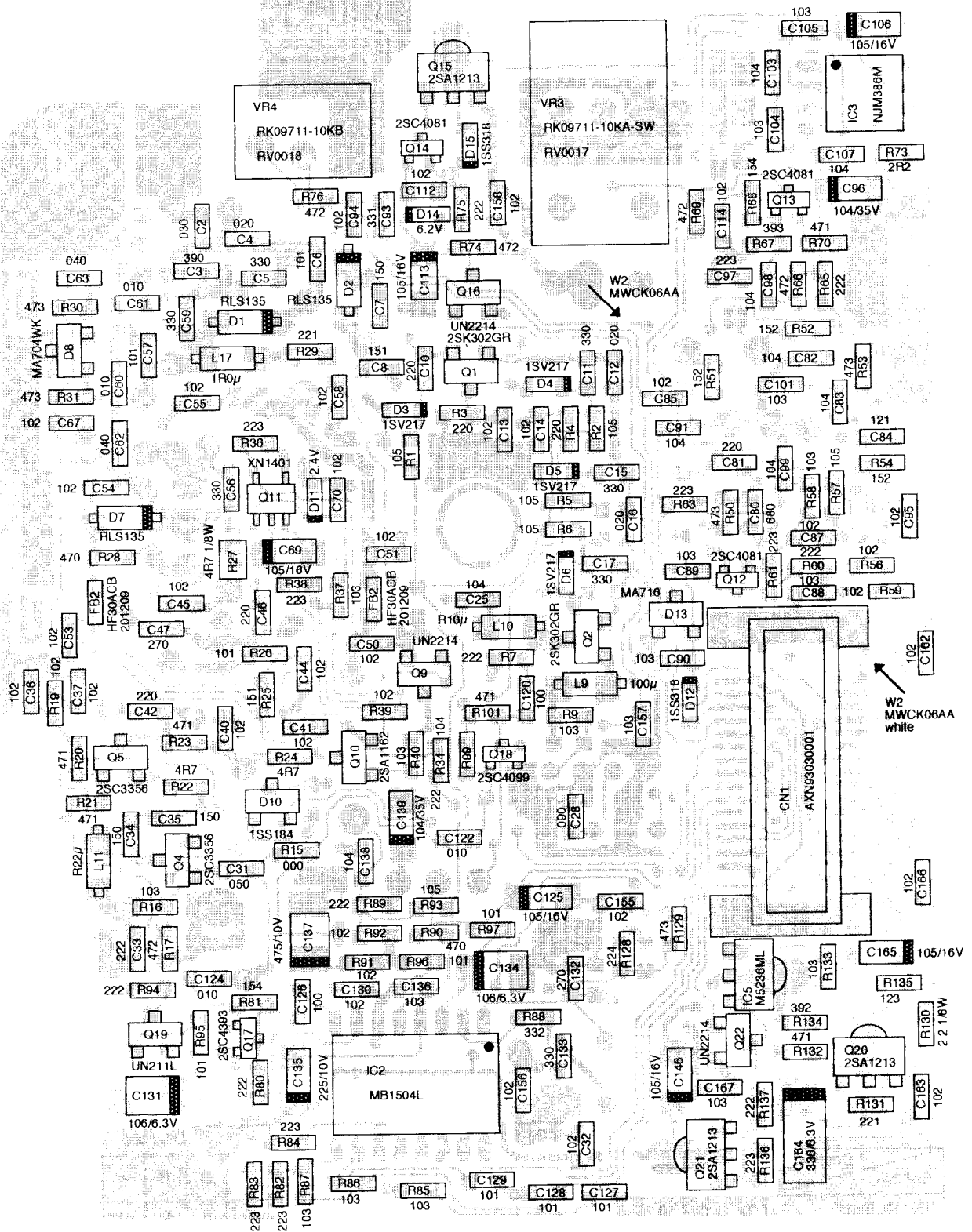


7) RF Unit Side A (UP0221) 1/2

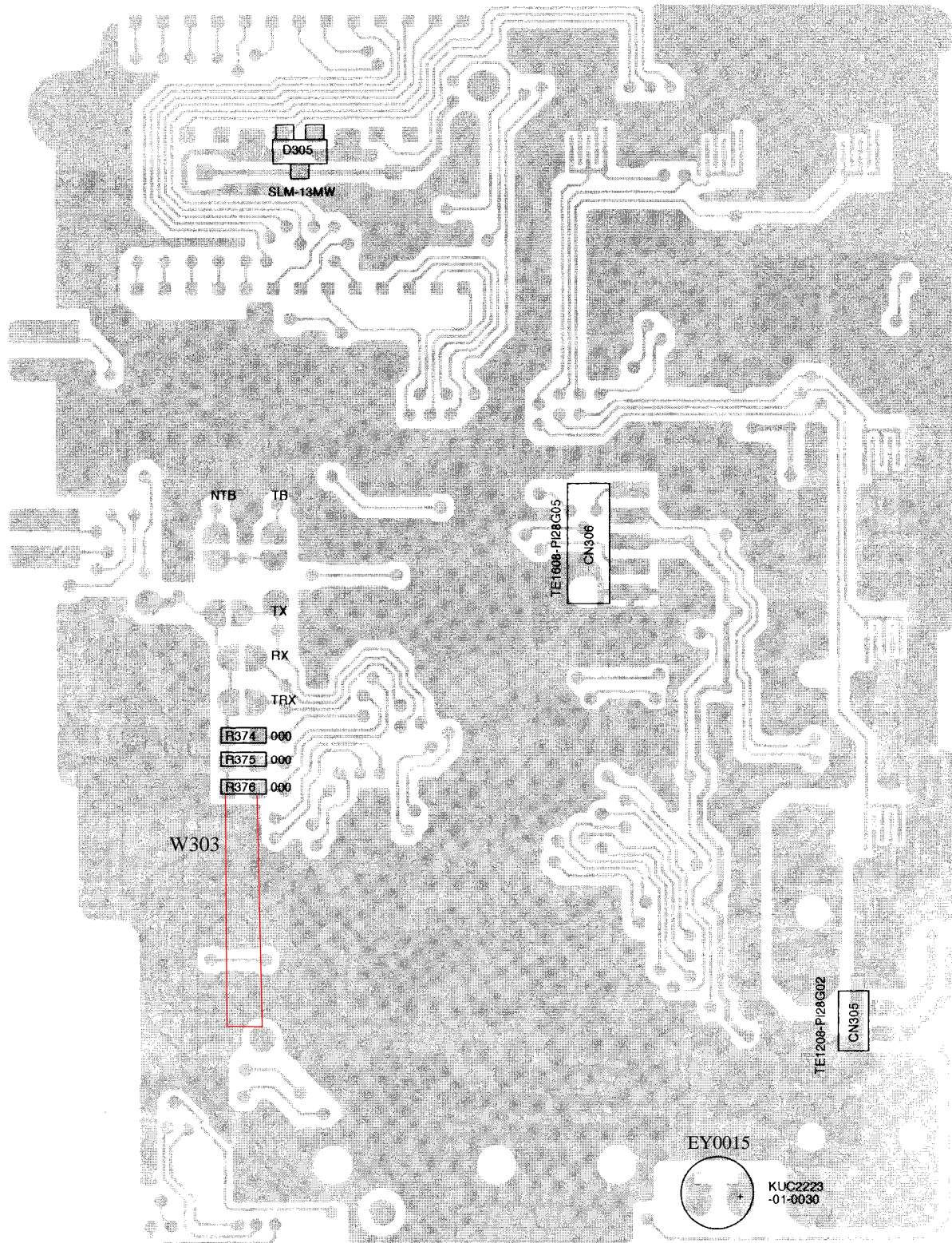


8) RF Unit Side B

UP0221 (1/2)

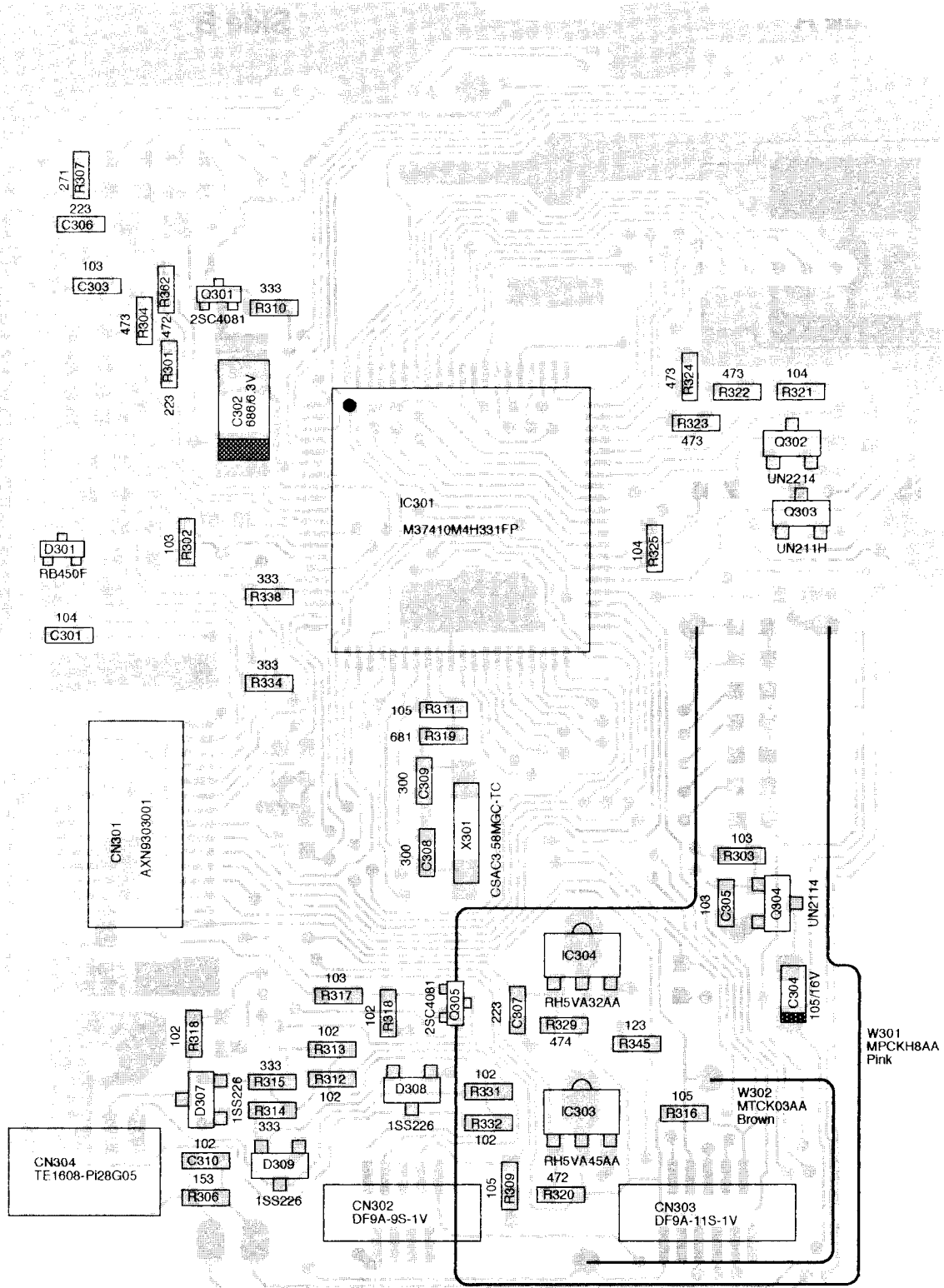


9) CPU Unit Side A UP0220 (1/2)



Model No.	DJ-180												DJ-1400						
Destination	T	TA	TB	TS	TZ	E	EA	EB	TA2	TB2	TM	TSA	A	B	F	G	TM	AN	QN
TX (TX Exp.)	0	0	0	0	0	1	0	0	0	0	0	0	0	0	0	0	0	-	-
RX (RX Exp.)	0	0	0	0	0	1	0	0	0	0	0	0	0	0	0	0	0	-	-
TRX (TX/RX Exp.)	1	1	1	0	0	0	0	0	1	1	1	0	1	1	1	1	1	1	1
R376																		W303	W303

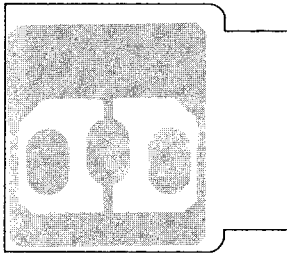
10) CPU Unit Side B UP0220 (1/2)



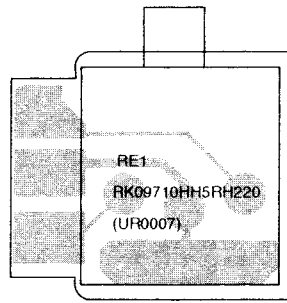
Model No.	DJ-180												DJ-1400						
Ref.No. / Destination	T	TA	TB	TS	TZ	E	EA	EB	TA2	TB2	TM	TSA	A	B	F	G	TM	AN	QN
TB (with Tone Burst)	0	0	0	0	0	1	1	1	0	0	0	0	0	0	0	0	0	-	-
NTB (without Tone Burst)	1	1	1	1	1	0	0	0	1	1	1	1	1	1	1	1	1	1	1
W301 (Cut when TX is expanded.)	1	0	0	0	0	0	0	0	0	0	1	0	0	0	0	0	0	-	-
W302 (Cut when CTCSS is equipped.)	0	0	0	0	0	1	1	1	0	0	0	0	0	1	0	1	0	-	-

11) RE Unit

Side A UP0221 (1/2)

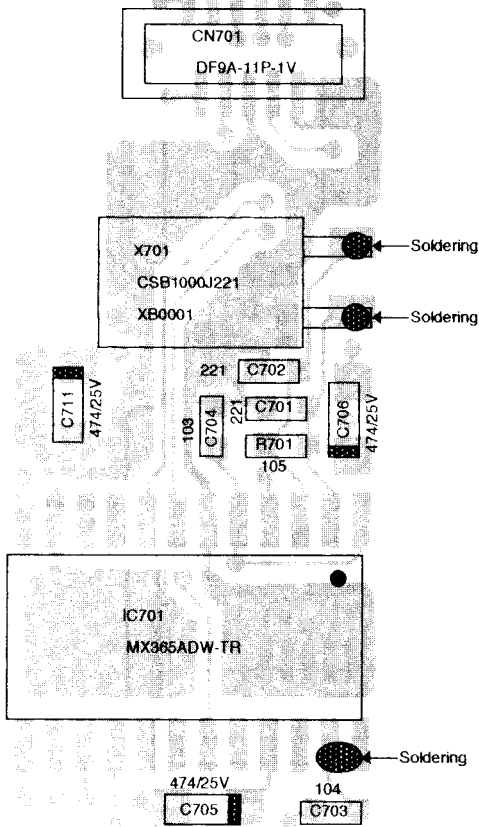


Side B

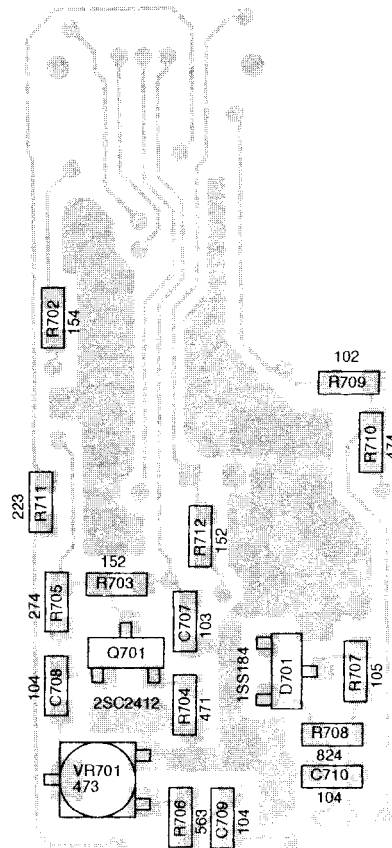


12) CTCSS Unit (EJ-17u)

Side A UP0221 (1/2)

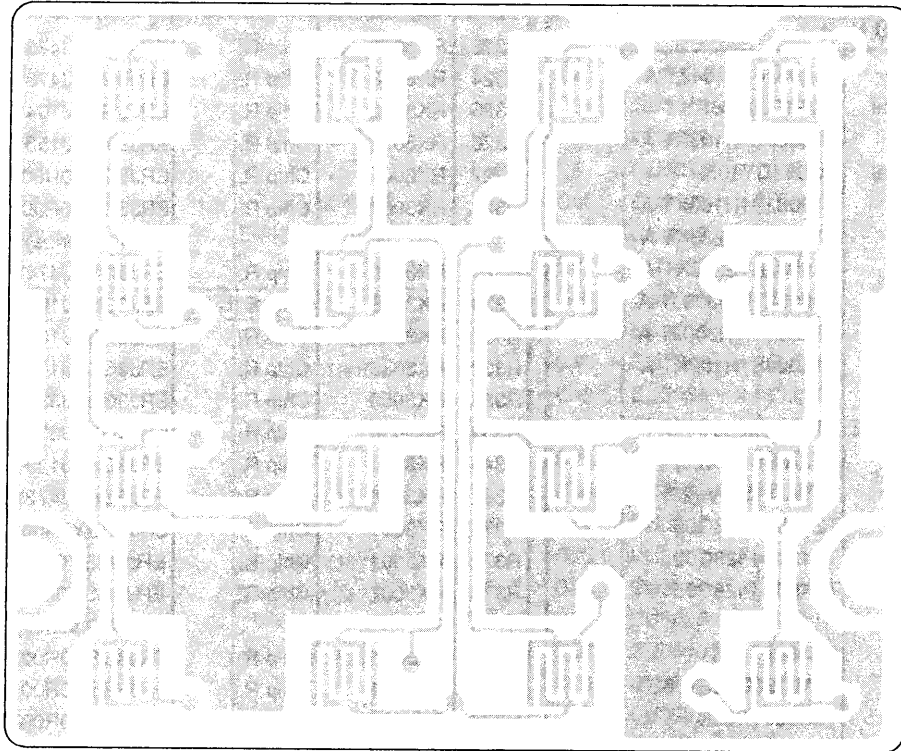


Side B

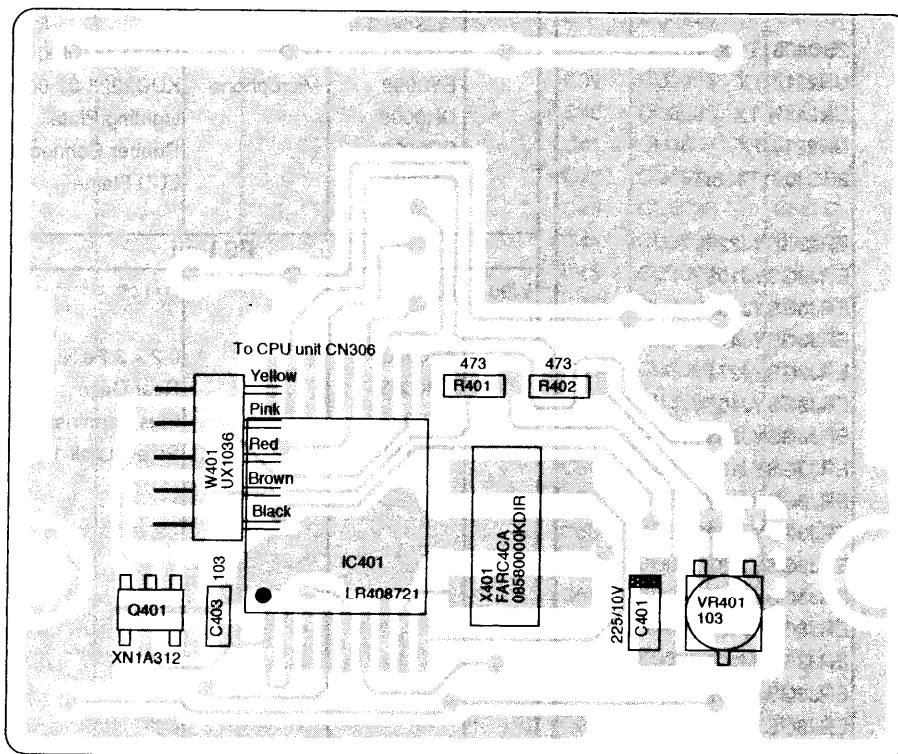


13) DTMF Unit (EJ-13u)

Side A



Side B



PARTS LIST

CPU Unit PS Unit

Ref No	Parts No.	Description	Parts Name	Ver
CPU Unit UP0220 1/2				
C301	CU3059	Chip C.	C1608JF1E104ZT-A	
C302	CS0333	Chip Tantal	ECST0JV686R	
C303	CU3047	Chip C.	C1608JB1H103KT-A	
C304	CS0277	Chip Tantal	ECST1CY105R	
C305	CU3047	Chip C.	C1608JB1H103KT-A	
C306	CU3051	Chip C.	C1608JB1E223KTA	-
C307	CU3051	Chip C.	C1608JB1E223KT-A	
C308	CU3085	Chip C.	C1608CH1H300JT-A	
C309	CU3085	Chip C.	C1608CH1H300JT-A	
C310	CU3035	Chip C.	C1608JB1H102KT-A	
CN301	UE0143	Connector	AXN93030001	
CN302	UE0129	Connector	DF9A-9S-1 V (22)	
CN303	UE0130	Connector	DF9A-11S-1V (22)	
CN304	UE0147	Connector	TE 1608-PI28G05	
CN305	UE0144	Connector	TE 1208-PI28G02	
CN306	UE0147	Connector	TE 1608-PI28G05	
D301	XD0134	Diode	RB450FT106	
D302	XD0057	Diode	1SS184	
D305	XL0016	LED	SLM-1 3MWSFT96B	
D307	XD0103	Diode	1SS226TE85L	
D308	XD0103	Diode	1SS226TE85L	
D309	XD0103	Diode	1SS226TE85L	
IC301	XA0222	IC	M37410M4H331 FP	
IC301	XA0508	IC	M37410M4H332 FP	AN/QN
IC303	XA0208	IC	RH5VA45AA-T 1	
IC304	XA0198	IC	R H 5VA32AA-T 1	
Q301	XT0095	Trangistor	2SC4081T106R	
Q302	XU0038	Trangistor	UN2214-TX	
Q303	XU0040	Trangistor	UN211H-TX	
Q304	XU0038	Trangistor	UN2214-TX	
Q305	XT0095	Trangistor	2SC4081T106R	
R301	RK3054	Chip R.	ERJ3GSYJ223V	
R302	RK3050	Chip R.	ERJ3GSYJ103V	
R303	RK3052	Chip R.	ERJ3GSYJ153V	
R303	RK3055	Chip R.	ERJ3GSYJ273V	AN/QN
R304	RK3058	Chip R.	ERJ3GSYJ473V	
R307	RK3031	Chip R.	ERJ3GSYJ271V	
R309	RK3074	Chip R.	ERJ3GSYJ105V	
R310	RK3056	Chip R.	ERJ3GSYJ333V	
R311	RK3074	Chip R.	ERJ3GSYJ105V	
R312	RK3038	Chip R.	ERJ3GSYJ102V	
R313	RK3038	Chip R.	ERJ3GSYJ102V	
R314	RK3056	Chip R.	ERJ3GSYJ333V	
R315	RK3056	Chip R.	ERJ3GSYJ333V	
R316	RK3074	Chip R.	ERJ3GSYJ105V	
R317	RK3050	Chip R.	ERJ3GSYJ103V	
R318	RK3038	Chip R.	ERJ3GSYJ102V	
R319	RK3036	Chip R.	ERJ3GSYJ681V	
R320	RK3046	Chip R.	ERJ3GSYJ472V	
R321	RK3062	Chip R.	ERJ3GSYJ104V	
R322	RK3058	Chip R.	ERJ3GSYJ473V	

Ref No	Parts No.	Description	Parts Name	Ver
R323	RK3058	Chip R.	ERJ3GSYJ473V	
R324	RK3058	Chip R.	ERJ3GSYJ473V	
R325	RK3062	Chip R.	ERJ3GSYJ104V	
R326	RK3052	Chip R.	ERJ3GSYJ153V	
R327				E
R328				T/1400
R329	RK3070	Chip R.	ERJ3GSYJ474V	
R330	RK3038	Chip R.	ERJ3GSYJ102V	
R331	RK3038	Chip R.	ERJ3GSYJ102V	
R332	RK3038	Chip R.	ERJ3GSYJ102V	
R334	RK3052	Chip R.	ERJ3GSYJ153V	
R338	RK3056	Chip R.	ERJ3GSYJ333V	
R345	RK3051	Chip R.	ERJ3GSYJ123V	
R362	RK3046	Chip R.	ERJ3GSYJ472V	
R371	-			E
R372	-			E
R373	-			T/1400
R374	RK3001	Chip R.	ERJ3GSY0R00V	
R375	RK3001	Chip R.	ERJ3GSY0R00V	
R376	RK3001	Chip R.	ERJ3GSY0R00V	
X301	XB0008	Crystal	CSAC3.58MGC-TC	
W301	MPCKH8AA	Wire	DJ-180 J301 (T series)	T
W302	MTCK03AA	Wire	DJ-180 J302 (E series)	E
W303	MPCK03AA	Wire	DJ-180 J302 (1400 series)	1400
	EL0020A	LCD	DJ145 (E/1400 series)	
	EY0015	Microphone	KUC2223-01 -0030	
	FF0022		Cloth(BLIND LCD)	
	DH0008		Lighting plate	
	FG0099		Rubber Connector	
	ST0031		LCD Flame	

PS Unit		UP0220 1/2	
W901	UX1034	Wire	DJ145
	AF0020		02+3FeNi
	FM0063		Rear Case
	SD0025		Plus Terminal
	YZ0044		Screw Lock 1401C

Ref No	Parts No.	Description	Parts Name	Ver
		ROM1 Unit	UP0220 1/2	all
CN601	UE0132	Connector	DF9A-9P-1V	
IC601	XA0363	IC	AT24C01A-10SI-2.7	
R601	RK3062	Chip R.	ERJ3GSYJ104V	
R602	RK3062	Chip R.	ERJ3GSYJ104V	
		DTMF Unit	UP0220 1/2	
C401	CS0256	Chip Tantal	ECST1AY225R	DJ180
C403	CU3047	Chip C.	C1608JB1H103KT-A	DJ180
IC401	XA0042	IC	LR408721	DJ180
Q401	XU0041	Digital T.	XN1A312-TX	DJ180
R401	RK3058	Chip R.	ERJ3GSYJ473V	DJ180
R402	RK3058	Chip R.	ERJ3GSYJ473V	DJ180
VR401	RH0103	Trim.Pot	EVM1YSX50B14	DJ180
W401	UX1036	Wire	DJ-145N	DJ180
X401	XB0001	Crystal	FARC4CAO3580000KO 1 R	DJ180
	AF0020		02+3FeNi	DJ180
	FG0101AZ		SiliconTenKey	DJ180
	KM0138		Keypad Panel	DJ180
	TW0003		Water Proof Cushion	
	KM0136		Keypad Panel	1400

Ref No	Parts No.	Description	Parts Name	Ver
		RF Unit	UP0221	
C2	CU3004	Chip C.	C1608CH1H030CT-A	
C3	CU3018	Chip C.	C1608CH1H390JT-A	
C4	CU3003	Chip C.	C1608CH1H020CT-A	
C5	CU3017	Chip C.	C1608CH1H330JT-A	
C6	CU3023	Chip C.	C1608CH1H101JT-A	
C7	CU3013	Chip C.	C1608CH1H150JT-A	
C8	CU3025	Chip C.	C1608CH1H151JT-A	
C10	CU3015	Chip C.	C1608CH1H220JT-A	
C11	CU3017	Chip C.	C1608CH1H330JT-A	
C12	CU3003	Chip C.	C1608CH1H020CT-A	
C13	CU3035	Chip C.	C1608JB1H102KT-A	
C14	CU3035	Chip C.	C1608JB1H102KT-A	
C15	CU3017	Chip C.	C1608CH1H330JT-A	
C16	CU3003	Chip C.	C1608CH1H020CT-A	
C17	CU3017	Chip C.	C1608CH1H330JT-A	
C25	CU3059	Chip C.	C1608JF1E104ZT-A	
C26	CU3047	Chip C.	C1608JB1H103KT-A	
C27	CU3035	Chip C.	C1608JB1H102KT-A	
C28	CU3004	Chip C.	C1608CH1H030CT-A	Wide
C28	CU3011	Chip C.	C1608CH1H100DT-A	Narrow
C29	CU3047	Chip C.	C1608JB1H103KT-A	
C30	CU3035	Chip C.	C1608JB1H102KT-A	
C31	CU3006	Chip C.	C1608CH1H050CT-A	
C32	CU3035	Chip C.	C1608JB1H102KT-A	
C33	CU3035	Chip C.	C1608JB1H102KT-A	
C34	CU3013	Chip C.	C1608CH1H150JT-A	
C35	CU3013	Chip C.	C1608CH1H150JT-A	
C36	CU3035	Chip C.	C1608JB1H102KT-A	
C37	CU3035	Chip C.	C1608JB1H102KT-A	
C38	CU3035	Chip C.	C1608JB1H102KT-A	
C39	CU3035	Chip C.	C1608JB1H102KT-A	
C40	CU3035	Chip C.	C1608JB1H102KT-A	
C41	CU3035	Chip C.	C1608JB1H102KT-A	
C42	CU3015	Chip C.	C1608CH1H220JT-A	
C43	CU3013	Chip C.	C1608CH1H150JT-A	
C44	CU3035	Chip C.	C1608JB1H102KT-A	
C45	CU3035	Chip C.	C1608JB1H102KT-A	
C46	CU3015	Chip C.	C1608CH1H220JT-A	
C46	CU3013	Chip C.	C1608CH1H150JT-A	QN/TA 2/TB2
C47	CU3016	Chip C.	C1608CH1H270JT-A	
C48	CU3019	Chip C.	C1608CH1H470JT-A	
C48	CU3018	Chip C.	C1608CH1H390JT-A	QN/TA 2/TB2
C49	CU3035	Chip C.	C1608CH1H102KT-A	
C50	CU3035	Chip C.	C1608JB1H102KT-A	
C51	CU3035	Chip C.	C1608JB1H102KT-A	
C52	CU3035	Chip C.	C1608JB1H102KT-A	
C53	CU3035	Chip C.	C1608JB1H102KT-A	
C54	CU3035	Chip C.	C1608JB1H102KT-A	
C55	CU3035	Chip C.	C1608JB1H102KT-A	
C56	CU3017	Chip C.	C1608CH1H330JT-A	
C56	CU3016	Chip C.	C1608CH1H270JT-A	QN/TA 2/TB2
C57	CU3023	Chip C.	C1608CH1H101JT-A	
C58	CU3035	Chip C.	C1608JB1H102KT-A	
C59	CU3017	Chip C.	C1608CH1H330JT-A	
C59	CU3016	Chip C.	C1608CH1H270JT-A	QN/TA 2/TB2
C60	CU3002	Chip C.	C1608CH1H010CT-A	
C61	CU3002	Chip C.	C1608CH1H010CT-A	
C62	CU3005	Chip C.	C1608CH1H040CT-A	

RF Unit

Ref No	Parts No.	Description	Parts Name	Ver
C63	CU3005	Chip C.	C1608CH1H040CT-A	
C64	CU3017	Chip C.	C1608CH1H330JT-A	
C65	CE0204	Chip Tantal	ECEA1CKA107	
C67	CU3035	Chip C.	C1608JB1H102KT-A	
C68	CU3035	Chip C.	C1608JB1H102KT-A	
C69	CS0277	Chip Tantal	ECST1CY105R	
C70	CU3035	Chip C.	C1608JB1H102KT-A	
C71	CU3035	Chip C.	C1608JB1H102KT-A	
C72	CU3035	Chip C.	C1608JB1H102KT-A	
C75	CU3059	Chip C.	C1608JF1E104ZT-4	
C76	CU3035	Chip C.	C1608JB1H102KT-A	
C80	CU3021	Chip C.	C1608CH1H680JT-A	
C81	CU3015	Chip C.	C1608CH1H220JT-A	
C82	CU3059	Chip C.	C1608JF1E104ZT-4	
C83	CU3059	Chip C.	C1608JF1E104ZT-4	
C84	CU3024	Chip C.	C1608CH1H121JT-A	
C85	CU3035	Chip C.	C1608JB1H102KT-A	
C86	CU3019	Chip C.	C1608CH1H470JT-A	
C87	CU3035	Chip C.	C1608JB1H102KT-A	
C88	CU3047	Chip C.	C1608JB1H103KT-A	
C89	CU3047	Chip C.	C1608JB1H103KT-A	
C90	CU3047	Chip C.	C1608JB1H103KT-A	
C91	CU3059	Chip C.	C1608JF1E104ZT-4	
C92	CS0277	Chip Tantal	ECST1CY105R	
C93	CU3029	Chip C.	C1608JB1H331KT-A	
C94	CU3035	Chip C.	C1608JB1H102KT-A	
C95	CU3035	Chip C.	C1608JB1H102KT-A	
C96	CS0307	Chip Tantal	ECST1VY104R	
C97	CU3051	Chip C.	C1608JB1E223KT-A	
C98	CU3059	Chip C.	C1608JF1E104ZT-4	
C99	CU3059	Chip C.	C1608JF1E104ZT-4	
C100	CS0331	Chip Tantal	ECST0JC336R	
C101	CU3047	Chip C.	C1608JB1H103KT-A	
C102	CU3059	Chip C.	C1608JF1E104ZT-A	
C103	CU3059	Chip C.	C1608JF1E104ZT-4	
C104	CU3047	Chip C.	C1608JB1H103KT-A	
C105	CU3039	Chip C.	C1608JB1H222KT-A	
C106	CS0277	Chip Tantal	ECST1CY105R	
C107	CU3059	Chip C.	C1608JF1E104ZT-4	
C108	CE0307	Chip Tantal	ECEV0JA476P	
C109	CU3051	Chip C.	C1608JB1E223KT-A	
C110	CE0307	Chip Tantal	ECEV0JA476P	
C111	CU3035	Chip C.	C1608JB1H102KT-A	
C112	CU3035	Chip C.	C1608JB1H102KT-A	
C113	CS0277	Chip Tantal	ECST1CY105R	
C114	CU3035	Chip C.	C1608JB1H102KT-A	
C120	CS3011	Chip Tantal	C1608CH1H100DTA	
C121	CU3035	Chip C.	C1608JB1H102KT-A	
C122	CU3002	Chip C.	C1608CH1H010CT-A	
C124	CU3CN)2	Chip C.	C1608CH1H010CT-A	
C125	CS0277	Chip Tantal	ECST1CY105R	
C126	CU3011	Chip C.	C1608CH1H100DT-A	
C127	CU3023	Chip C.	C1608CH1H101JT-A	
C128	CU3023	Chip C.	C1608CH1H101JT-A	

RF Unit

Ref No	Parts No.	Description	Parts Name	Ver
C129	CU3023	Chip C.	C1608CH1H101JT-A	
C130	CU3035	Chip C.	C1608JB1H102KT-A	
C131	CS0329	Chip Tantal	ECS0JX106R	
C132	CU3016	Chip C.	C1608CH1H270JT-A	
C133	CU3017	Chip C.	C1608CH1H330JT-A	
C134	CS0329	Chip Tantal	ECS0JX106R	
C135	CS0256	Chip Tantal	ECS1AY225R	
C136	CU3047	Chip C.	C1608JB1H103KT-A	
C137	CS0258	Chip Tantal	ECST1AX475R	
C138	CU3047	Chip C.	C1608JF1E104ZT-4	
C139	CS0307	Chip Tantal	ECST1VY104R	
C140	CU3059	Chip C.	C1608JF1E104ZTA	
C141	CU3051	Chip C.	C1608JB1E223KT-A	
C142	CU3051	Chip C.	C1608JB1E223KT-A	
C143	CS0277	Chip Tantal	ECST1CY105R	
C144	CU3019	Chip C.	C1608CH1H470JT-A	
C145	CS0277	Chip Tantal	ECST1CY105R	
C146	CS0277	Chip Tantal	ECST1CY105R	
C147	CU3059	Chip C.	C1608JF1E104ZTA	
C148	CU3047	Chip C.	C1608JB1H103KT-A	
C149	CU3059	Chip C.	C1608JF1E104ZT-A	
C150	CU3035	Chip C.	C1608JB1H102KT-A	
C151	CU3035	Chip C.	C1608JB1H102KT-A	
C152	CU3024	Chip C.	C1608CH1H121JT-A	
C153	CU3039	Chip C.	C1608JB1H222KT-A	
C154	CU3035	Chip C.	C1608JB1H102KT-A	
C155	CU3035	Chip C.	C1608JB1H102KT-A	
C156	CU3035	Chip C.	C1608JB1H102KT-A	
C157	CU3047	Chip C.	C1608JB1H103KT-A	
C158	CU3035	Chip C.	C1608JB1H102KT-A	
C159	CU3035	Chip C.	C1608JB1H102KTA	
C160	CU3035	Chip C.	C1608JB1H102KT-A	
C161	CU3035	Chip C.	C1608JB1H102KT-A	
C162	CU3035	Chip C.	C1608JB1H102KT-A	
C163	CU3035	Chip C.	C1608JB1H102KT-A	
C164	CS0331	Chip Tantal	ECST0JC336R	
C165	CS0277	Chip Tantal	ECST1CY105R	
C166	CU3035	Chip C.	C1608JB1H102KT-A	
C167	CU3047	Chip C.	C1608JB1H103KT-A	
C168	CU3035	Chip C.	C1608JB1H102KT-A	
CN1	UE0143	Connector	AXN93030001	
D1	XD0066	Diode	RLS135-TE-11	
D2	XD0066	Diode	RLS135-TE-11	
D3	XD0233	Diode	1SV217TPH4	
D4	XD0233	Diode	1SV217TPH4	
D5	XD0233	Diode	1SV217TPH4	
D6	XD0233	Diode	1SV217TPH4	
D7	XD0066	Diode	RLS135-TE-11	
D8	XD0120	Diode	MA704WKTX	
D10	XD0057	Diode	1SS184TE85L	
D11	XD0147	Diode	DTZ2.4ATT11	
D12	XD0129	Diode	1SS318TT11	

RF Unit

Ref No	Parts No.	Description	Parts Name	Ver
D13	XD0118	Diode	MA716-TW	
D14	XD0137	Diode	DTZ6.2ATT11	
D15	XD0272	Diode	ISS356 TW11	
FB1	QB0008	Ferrite Bead	HF30ACB201 209-T	
FB2	QB0008	Ferrite Bead	HF30ACB201 209-T	
FL1	XC0004	Fitter	CFUM455E	Wide
FL1	XC0006	Fitter	CFUM455G	Narrow
IC1	XA0063	IC	MC3357DR	
IC2	XA0145	IC	MB1504LPF-G-BND-TF	
IC3	XA0061	IC	NJM386M.T1	
IC4	XA0068	IC	M5218FP-TO1-1	
IC5	XA0104	IC	M5236 M L-T73A-36	
L1	QKA35D	Coil	MR3.0-3.5T-0.6	
L2	QKA35D	Coil	MR3.0-3.5T-0.6	
L3	QKA45D	Coil	MR3.0-4.5T-0.6	
L4	QA0079	RF Coil	QA0079	
L5	QA0078	RF Coil	QA0078	
L6	QA0078	RF Coil	QA0078	
L7	QA0078	RF Coil	QA0078	
L9	QC0010	Chip L.	MLF3216E100M	
L10	QC0009	Chip L.	MLF3216DR10M	
L11	QC0139	Chip L.	MLF3216DR22M	
L12	QKA45D	Coil	MR3.0-4.5T-0.6	
L13	QKA35D	Coil	MR3.0-3.5T-0.6	
L14	QKA35D	Coil	MR3.0-3.5T-0.6	
L15	QKA15D	Coil	MR3.0-1.5T-0.6	
L16	QKA25D	Coil	MR3.0-2.5T-0.6	
L17	QC0003	Chip L.	MLF3216A1R0M	
L18	QKA25D	Coil	MR3.0-2.5T-0.6	
L19	QKA15C	Coil	MR2.5-1.5T-0.5	
L19	QKA15B	Coil	MR2.0 1.5T 0.5	QN
Q1	XE0009	FET	2SK302-GR(TE85L)	
Q2	XE0009	FET	2SK302-GR(TE85L)	
Q3	XT0096	Transistor	2SC4099T1 06N	
Q4	XT0030	Transistor	2SC3356T1BR24/25	
Q5	XT0030	Transistor	2SC3356T1BR24/25	
Q6	XT0052	Transistor	2SC2053	
Q7	XT0101	Transistor	2SC1971	
Q8	XU0035	Transistor	XN1214-TX	
Q9	XU0037	Transistor	UN2215-TX	
Q10	XT0068	Transistor	2SA1162GRTE85L	
Q11	XU0034	Transistor	XN1401-TX	
Q12	XT0095	Transistor	2SC4081T106R	
Q13	XT0095	Transistor	2SC4081T106R	
Q14	XT0095	Transistor	2SC4081T106R	
Q15	XT0088	Transistor	2SA1213YTE12L	
Q16	XU0038	Transistor	UN2214TX	
Q17	XT0097	Transistor	2SC4393TE85R	
Q18	XT0096	Transistor	2SC4099T1 06N	
Q19	XU0039	Transistor	UN211L-TX	
Q20	XT0088	Transistor	2SA1213YTE12L	

RF Unit

Ref No	Parts No.	Description	Parts Name	Ver
Q21	XT0088	Transistor	2SA1213YTE12L	
Q22	XU0038	Transistor	UN2214-TX	
Q23	XU0036	Transistor	XN111F-TX	
Q24	XU0035	Transistor	XN1214-TX	
R1	RK3074	Chip R.	ERJ3G3YJ105V	
R2	RK3074	Chip R.	ERJ3G3YJ105V	
R3	RK3018	Chip R.	ERJ3GSYJ220V	
R4	RK3018	Chip R.	ERJ3GSYJ220V	
R5	RK3074	Chip R.	ERJ3G3YJ105V	
R6	RK3074	Chip R.	ERJ3G3YJ105V	
R7	RK3042	Chip R.	ERJ3GSYJ222V	
R8	RK3022	Chip R.	ERJ3GSYJ470V	
R9	RK3050	Chip R.	ERJ3GSYJ103V	
R11	RK3038	Chip R.	ERJ3GSYJ102V	wide
R11	RK3037	Chip R.	ERJ3GSYJ821V	narrow
R12	RK3072	Chip R.	ERJ3GSYJ684V	
R13	RK3038	Chip R.	ERJ3GSYJ102V	
R15	RK3001	Chip R.	ERJ3GSY0R00V	
R16	RK3050	Chip R.	ERJ3GSYJ103V	
R17	RK3046	Chip R.	ERJ3GSYJ472V	
R18	RK3030	Chip R.	ERJ3GSYJ221V	
R19	RK3038	Chip R.	ERJ3GSYJ102V	
R20	RK3034	Chip R.	ERJ3GSYJ471V	
R21	RK3034	Chip R.	ERJ3GSYJ471V	
R22	RK3010	Chip R.	ERJ3GSYJ4R7V	
R23	RK3034	Chip R.	ERJ3GSYJ471V	
R24	RK3010	Chip R.	ERJ3GSYJ4R7V	
R25	RK3028	Chip R.	ERJ3GSYJ151V	
R26	RK3026	Chip R.	ERJ3GSYJ101V	
R27	RK1108	Chip R.	ERJ8GEYJ4R7V	
R28	RK3022	Chip R.	ERJ3GSYJ470V	
R29	RK0022	Chip R.	ERJ6GEYJ221V	
R30	RK3058	Chip R.	ERJ3GSYJ473V	
R31	RK3058	Chip R.	ERJ3GSYJ473V	
R33	RK3053	Chip R.	ERJ3GSYJ183V	
R34	RK3042	Chip R.	ERJ3GSYJ222V	
R36	RK3054	Chip R.	ERJ3GSYJ223V	
R37	RK3050	Chip R.	ERJ3GSYJ103V	
R38	RK3054	Chip R.	ERJ3GSYJ223V	
R39	RK3038	Chip R.	ERJ3GSYJ102V	
R40	RK3050	Chip R.	ERJ3GSYJ103V	
R41	RK3030	Chip R.	ERJ3GSYJ221V	
R50	RK3058	Chip R.	ERJ3GSYJ473V	
R51	RK3040	Chip R.	ERJ3GSYJ152V	
R52	RK3040	Chip R.	ERJ3GSYJ152V	
R53	RK3058	Chip R.	ERJ3GSYJ473V	
R54	RK3040	Chip R.	ERJ3GSYJ152V	
R56	RK3038	Chip R.	ERJ3GSYJ102V	
R57	RK3074	Chip R.	ERJ3G3YJ105V	
R58	RK3050	Chip R.	ERJ3GSYJ103V	
R59	RK3038	Chip R.	ERJ3GSYJ102V	
R60	RK3042	Chip R.	ERJ3GSYJ222V	
R61	RK3054	Chip R.	ERJ3GSYJ223V	
R62	RK3038	Chip R.	ERJ3GSYJ102V	

RF Unit

Ref No	Parts No.	Description	Parts Name	Ver	Ref No	Parts No.	Description	Parts Name	Ver
R63	RK3054	Chip R.	ERJ3GSYJ223V		R130	RK0105	Chip R.	ERJ6GEYJ2R2V	
R64	RK3054	Chip R.	ERJ3GSYJ223V		R131	RK3030	Chip R.	ERJ3GSYJ221V	
R65	RK3042	Chip R.	ERJ3GSYJ222V		R132	RK3034	Chip R.	ERJ3GSYJ471V	
R66	RK3046	Chip R.	ERJ3GSYJ472V		R133	RK3050	Chip R.	ERJ3GSYJ103V	
R67	RK3058	Chip R.	ERJ3GSYJ473V		R134	RK3045	Chip R.	ERJ3GSYJ392V	
R68	RK3064	Chip R.	ERJ3GSYJ154V		R135	RK3051	Chip R.	ERJ3GSYJ123V	
R69	RK3046	Chip R.	ERJ3GSYJ472V		R136	RK3054	Chip R.	ERJ3GSYJ223V	
R70	RK3034	Chip R.	ERJ3GSYJ471V	Wide	R137	RK3042	Chip R.	ERJ3GSYJ222V	
R70	RK3034	Chip R.	ERJ3GSYJ471V	Narrow	R141	RK3001	Chip R.	ERJ3GSY0R00V	
R71	RK3042	Chip R.	ERJ3GSYJ222V		TC1	CT0033	Trimmer	ECRJA010A11W	
R72	RK3065	Chip R.	ERJ3GSYJ184V	Wide	VR1	RH0106	Trim.Pot	EVM1YSX50BQ4	
C182					VR2	RH0103	Trim.Pot	EVM1YSX50B14	
(R72)	CU3059	Chip C.	C1608JF1E104ZT-N	Narrow	VR3	RV0017	Trim.Pot	RK09711-10KA-SW	
R73	RK3006	Chip R.	ERJ3GSYJ2R2V		VR4	RV0018	Trim.Pot	RK09711-10KB	
R74	RK3046	Chip R.	ERJ3GSYJ472V		W1	MRCJ06AA	Wire	DJ145	
R75	RK3042	Chip R.	ERJ3GSYJ222V		W2	MWCK06AA	Wire	DJ145	
R76	RK3046	Chip R.	ERJ3GSYJ472V		W3	MKCJH3AA	Wire	DJ145	
R80	RK3042	Chip R.	ERJ3GSYJ222V		W4	UX1033	Wire	DJ145	
R81	RK3064	Chip R.	ERJ3GSYJ154V		X1	XQ0053	Crystal	UM-1 21,855MHz	
R82	RK3054	Chip R.	ERJ3GSYJ223V		X2	XK0002	Discriminator	CDBM455C7	
R83	RK3054	Chip R.	ERJ3GSYJ223V		X3	XQ0052	Crystal	UM-5 12.800MHz	
R84	RK3054	Chip R.	ERJ3GSYJ223V		XF1	XF0011	Crystal Filter	21.400MHz 21M15B1	Wide
R85	RK3050	Chip R.	ERJ3GSYJ103V		XF1	XF0023	Crystal Filter	21.400MHz 21M7B1	Narrow
R86	RK3050	Chip R.	ERJ3GSYJ103V			TT1002		Tube	
R87	RK3050	Chip R.	ERJ3GSYJ103V						
R88	RK3044	Chip R.	ERJ3GSYJ332V						
R89	RK3042	Chip R.	ERJ3GSYJ222V						
R90	RK3022	Chip R.	ERJ3GSYJ470V						
R91	RK3034	Chip R.	ERJ3GSYJ471V						
R92	RK3038	Chip R.	ERJ3GSYJ102V						
R93	RK3074	Chip R.	ERJ3G3YJ105V						
R94	RK3042	Chip R.	ERJ3GSYJ222V						
R95	RK3026	Chip R.	ERJ3GSYJ101V						
R96	RK3026	Chip R.	ERJ3GSYJ101V						
R97	RK3026	Chip R.	ERJ3GSYJ101V						
R99	RK3062	Chip R.	ERJ3GSYJ104V						
R100	RK3054	Chip R.	ERJ3GSYJ223V						
R101	RK3034	Chip R.	ERJ3GSYJ471V						
R102	RK3038	Chip R.	ERJ3GSYJ102V						
R110	RK3051	Chip R.	ERJ3GSYJ123V						
R111	RK3058	Chip R.	ERJ3GSYJ473V						
R112	RK3020	Chip R.	ERJ3GSYJ330V						
R113	RK3057	Chip R.	ERJ3GSYJ393V						
R114	RK3050	Chip R.	ERJ3GSYJ103V						
R115	RK3062	Chip R.	ERJ3GSYJ104V						
R116	RK3062	Chip R.	ERJ3GSYJ104V						
R117	RK3050	Chip R.	ERJ3GSYJ103V						
R118	RK3051	Chip R.	ERJ3GSYJ123V						
R119	RK3062	Chip R.	ERJ3GSYJ104V						
R120	RK3054	Chip R.	ERJ3GSYJ223V						
R122	RK3050	Chip R.	ERJ3GSYJ103V						
R123	RK3050	Chip R.	ERJ3GSYJ103V						
R124	RK3056	Chip R.	ERJ3GSYJ333V						
R125	RK3061	Chip R.	ERJ3GSYJ823V						
R126	RK3061	Chip R.	ERJ3GSYJ823V						
R127	RK3050	Chip R.	ERJ3GSYJ103V						
R128	RK3066	Chip R.	ERJ3GSYJ224V						
R129	RK3058	Chip R.	ERJ3GSYJ473V						

VCO Unit / CTCSS Unit

Ref No	Parts No.	Description	Parts Name	Ver
VCO Unit				
C201	CU3035	Chip C.	C1608JB1H102KT-A	
C202	CU3047	Chip C.	C1608JB1H103KT-A	
C203	CU3035	Chip C.	C1608JB1H102KT-A	
C204	CU3035	Chip C.	C1608JB1H102KT-A	
C205	GU3002	Chip C.	C1608CH1H010CT-A	
C206	CU3047	Chip C.	C1608JB1H103KT-A	
C207	CU3047	Chip C.	C1608JB1H103KT-A	
C208	CU3047	Chip C.	C1608JB1H103KT-A	
C209	CU3047	Chip C.	C1608JB1H103KT-A	
C210	CS0328	Chip Tantal	ECST0JY685R	
C211	CU3035	Chip C.	C1608JB1H102KT-A	
C212	CU3035	Chip C.	C1608JB1H102KT-A	
C213	CU3003	Chip C.	C1608CH1H020CT-A	
C214	CU3002	Chip C.	C1608CH1H010CT-A	
C215	CU3047	Chip C.	C1608JB1H103KT-A	
C216	CU3047	Chip C.	C1608JB1H103KT-A	
D201	XD0233	Diode	1SV217TPH4	
D202	XD0233	Diode	1SV217TPH4	
D203	XD0233	Diode	1SV217TPH4	
L201	QC0010	Chip L.	MLF3216E100M	
L202	QC0010	Chip L.	MLF3216E100M	
L203	QC0090	Chip L.	MLF3216E4R7M	
L204	QC0003	Chip L.	MLF3216A1R0M	
L205	QA0081	IFT	QA0081	
L206	QKA25C	Coil	MR2.5-2.5T-0.5	
Q201	XT0030	Transistor	2SC3356T1BR24/25	
Q202	XT0096	Transistor	2SC4099T106N	
Q203	XT0095	Transistor	2SC4081T106R	
Q204	XU0038	Transistor	UN2214-TX	
R201	RK3026	Chip R.	ERJ3GSYJ101V	
R202	RK3034	Chip R.	ERJ3GSYJ471V	
R203	RK3038	Chip R.	ERJ3GSYJ102V	
R204	RK3062	Chip R.	ERJ3GSYJ104V	
R205	RK3062	Chip R.	ERJ3GSYJ104V	
R206	RK3050	Chip R.	ERJ3GSYJ103V	
R207	RK3046	Chip R.	ERJ3GSYJ472V	
R208	RK3026	Chip R.	ERJ3GSYJ101V	
R209	RK3022	Chip R.	ERJ3GSYJ470V	
R210	RK3054	Chip R.	ERJ3GSYJ223V	
R211	RK3050	Chip R.	ERJ3GSYJ103V	
R212	RK3030	Chip R.	ERJ3GSYJ221V	
R213	RK3062	Chip R.	ERJ3GSYJ104V	
R214	RK3050	Chip R.	ERJ3GSYJ103V	
R215	RK3050	Chip R.	ERJ3GSYJ103V	
	UT0019		CK-1-2	
	TS0072		VCO Case	

Ref No	Parts No.	Description	Parts Name	Ver
CTCSS Unit				
				UP0221
C701	CU3027	Chip C.	C1608CH1H221JT-A	180T...
C702	CU3027	Chip C.	C1608CH1H221JT-A	1400non
C703	CU3059	Chip C.	C1608JF1E104ZT-A	1400A
C704	CU3047	Chip C.	C1608JB1H103KT-A	
C705	CS0296	Chip Tantal	ECST1EY474R	
C706	CS0296	Chip Tantal	ECST1EY474R	
C707	CU3047	Chip C.	C1608JB1H103KT-A	
C708	CU3059	Chip C.	C1608JF1E104ZT-A	
C709	CU3059	Chip C.	C1608JF1E104ZT-A	
C710	CU3059	Chip C.	C1608JF1E104ZT-A	
C711	CS0296	Chip Tantal	ECST1EY474R	
CN701	UE0133	Connector	DF9A-11P-1V	
D701	XD0057	Diode	1SS184TE85L	
IC701	XA0203	IC	MX365ADW-TR	
Q701	XT0037	Transistor	2SC2412KT146R	
R701	RK3074	Chip R.	ERJ3GSYJ105V	
R702	RK3064	Chip R.	ERJ3GSYJ154V	
R703	RK3040	Chip R.	ERJ3GSYJ152V	
R704	RK3034	Chip R.	ERJ3GSYJ471V	
R705	RK3067	Chip R.	ERJ3GSYJ274V	
R706	RK3059	Chip R.	ERJ3GSYJ563V	
R707	RK3074	Chip R.	ERJ3GSYJ105V	
R708	RK3073	Chip R.	ERJ3GSYJ824V	
R709	RK3038	Chip R.	ERJ3GSYJ102V	
R710	RK3070	Chip R.	ERJ3GSYJ474V	
R711	RK3054	Chip R.	ERJ3GSYJ223V	
R712	RK3040	Chip R.	ERJ3GSYJ152V	
VR701	RH0060	Trim.Pot	MVR32 HXBRN473	
X701	XB0006	Crystal	CSB1000J 221	
	YZ0042		Adhesion G17	

PTT SW Unit/JACK Unit /RE Unit
OTHER/ROM2 Unit /PACKING

Ref No	Parts No.	Description	Parts Name	Ver	Ref No	Parts No.	Description	Parts Name	Ver
PTT SW Unit					ROM2 Unit				
SW301	UU0013	Switch	SKHUAB		CN801	UE0132	Connector	DF9A-9P-1V	
SW302	UU0013	Switch	SKHUAB		IC801	XA0200	IC	X24C04S14-3.0T (EJ-14u)	
SW303	UU0013	Switch	SKHUAB		IC801	XA0201	IC	X24C16S-3.0T (EJ.15u)	
CN501	UE0147	Connector	TE 1608-PI28G05		R801	RK3062	Chip R.	ERF3GSYJ104V	
JACK Unit					R802	RK3062	Chip R.	ERF3GSYJ104V	
JK501	UJ0022	Jack	HSJ112-01-540			HK0284		Carton Box EJ-14u	
JK502	UJ0016	Jack	HSJ1423-01-050			HK0285		Carton Box EJ-15u	
R501	RK4051	Chip R.	ERJ-14YS101V			HP0029		Protection Bag	
RE Unit						UP0220B		CPU P.C.B.	
	UR0007		RK09710HH5RH 220			YZ0121		Tape	
OTHERS					Packing				
	AB0011		3+8FeNi			AK0004	4PCS	0B2+3FeB/C	
	AK0001		0B2+4FeNi			DS0357		Model Name Plate DJ-18	T
	AK0002		0B2+4FeB/C			DS0388A		Model Name Plate	page39
	AV0004		0B26+6FeNi			DS0340		Model Name plate	
	AN0012		Dial Nut			EA57		Antenna M Low band EA	page39
	AP0016		P2+8FeB/C			EA58		Antenna M high band EA	page39
C1	CC0119	CeramicC.	50V22PF CH			EBP26N		Ni-Cd(EG0016)	page39
	DP0063		LCD Panel			EDC-49		Charger (EJ0007)	page39
	DP0111		LCD Panel	AN/QN		EDC-50		Charger (EJ0008)	page39
	ES0011AZ	Speaker	036S13D			FG0096		Model Name Rubber	
	FG0076		Battery Rubber			HK0280		Item Carton Box DJ-1807	DJ180
	FG0092		Silicone Key 1 (T/E)	DJ180		HK0287		Item CartonBox DJ1400	DJ1400
	FG0093		Silicone Key 2 (T/E)	DJ180		HM0100		Carton Box	
	FG0094		Jack Cap			HU0037		Fixture	
	FG0095		PTT Rubber			KM0137		Switch Cover	DJ180
	FG0097		VOL Rubber			HP0016		Protection Bag 75 X 90	page39
	FG0100		EP/MIC Cushion			HP0028		Protection Bag 165 X 280	
	FG0112		Silicone Key 2 (1400)	1400		HP0031		Protection Bag 100 X 200	
	FG0129		Silicone Key 2 (1400AN/QN)	AN/QN		PH0006		Registration Card	
	FM0068		Earth_Ring			PR0022		Seal E	
	FM0069		Antenna Earth			PR0094		Seal A	
	KB0038		Rear Case			PR0157		Seal TA	
	KM0135		FrontCase			PR0158		Seal TB	
	KM0141		Switch Cover (1400)	1400		PR0159G		Seal TS	
	NB0047		Release Knob			PR0160		Seal TZ	
	NK0028		VOL Knob			PR0161		Seal A	
	NK0029		SQL Knob			PR0162		Seal B	
	ST0032		SP Holder			PR0163		Seal B	
	TG0014		SP Net			PS0159G		Instruction Manual	DJ180
	TS0071		RF Shield			PS0161		Instruction Manual	DJ1400
	UE0193Z		BNC Receptacle			PS0258A		Instruction Manual	AN/QN
	UP0220A		P.C.B.			PT0004A		Lot Number Seal	
W201	UX1035	Wire	DJ145			YZ0117		Switch Cover Tape	
	YZ0044		Screw Lock 1401C			YZ0118		Tape	
	YZ0116		Acrylic Tape			YZ0121		Tape	
	YZ0117		Switch Cover Tape (1400)	1400		EBC-3		Belt Ciip	
						BB0009Y		Hand Strap	

Model No.	DJ-180														DJ-180						DJ-1400												
	T	TA	TA2	TB	TB2	TM	TS	TSA	TZ	TD	TAD	TFD	TSD	TZD	E	EA	EB	ED	EAD	EBD	A	B	F	G	TM	D	AD	BD	Q	N	A	N	
DS0357	1	0	0	0	0	0	0	0	0	0	0	0	0	0	0	0	0	0	0	0	0	0	0	0	0	0	0	0	0	0	0	0	
DS0388A	0	1	1	1	1	1	1	1	1	1	1	1	1	1	1	1	1	1	1	1	1	1	1	1	1	1	1	1	1	1	1	1	
DS0352A																																	
EA57	1	1	0	1	0	1	1	1	1	1	1	0	1	1	1	1	1	1	1	1	1	1	1	1	1	1	1	1	1	1	1	1	
EA58	0	0	1	0	1	0	0	0	0	0	0	1	0	0	0	0	0	0	0	0	0	0	0	0	0	0	0	0	0	0	0	0	
EBP26N	1	1	1	1	1	1	1	1	1	0	0	0	0	0	1	1	1	1	0	0	1	1	1	1	1	1	1	0	0	0	0	0	
EBP28N																																	
EDC49	1	0	0	1	1	0	0	1	0	0	0	0	0	0	0	0	0	0	0	0	1	0	0	1	1	0	0	0	0	0	0	0	
EDC50	0	1	1	0	0	1	1	0	1	0	0	0	0	0	1	1	1	0	0	0	0	1	1	0	0	1	0	0	0	0	0	0	
FG0092	1	1	1	1	1	1	1	1	1	1	1	1	1	1	1	1	1	1	1	1	1	0	0	0	0	0	0	0	0	0	0	0	
FG0093	1	1	1	1	1	1	1	1	1	1	1	1	1	1	1	1	1	1	1	1	1	0	0	0	0	0	0	0	0	0	0	0	
FG0101	1	1	1	1	1	1	1	1	1	1	1	1	1	1	1	1	1	1	1	1	0	0	0	0	0	0	0	0	0	0	0	0	
FG0112	0	0	0	0	0	0	0	0	0	0	0	0	0	0	0	0	0	0	0	0	1	1	1	1	1	1	1	1	1	1	1	1	
FG0129																																	
HK0280	1	1	1	1	1	1	1	1	1	1	1	1	1	1	1	1	1	1	1	1	1	0	0	0	0	0	0	0	0	0	0	0	
HK0287	0	0	0	0	0	0	0	0	0	0	0	0	0	0	0	0	0	0	0	0	1	1	1	1	1	1	1	1	1	1	1	1	
HP0016	1	1	1	1	1	1	1	1	1	1	1	1	1	1	1	1	1	1	1	1	1	0	0	0	0	0	0	0	0	0	0	0	
KM0136	0	0	0	0	0	0	0	0	0	0	0	0	0	0	0	0	0	0	0	0	1	1	1	1	1	1	1	1	1	1	1	1	
KM0137	1	1	1	1	1	1	1	1	1	1	1	1	1	1	1	1	1	1	1	1	1	0	0	0	0	0	0	0	0	0	0	0	
KM0138	1	1	1	1	1	1	1	1	1	1	1	1	1	1	1	1	1	1	1	1	0	0	0	0	0	0	0	0	0	0	0	0	
KM0141	0	0	0	0	0	0	0	0	0	0	0	0	0	0	0	0	0	0	0	0	1	1	1	1	1	1	1	1	1	1	1	1	
PH0006	1	0	0	0	0	1	0	0	0	1	0	0	0	0	0	0	0	0	0	0	1	0	0	0	0	0	0	0	0	0	0	0	
PR0174	0	0	0	0	0	0	0	0	0	1	1	1	1	1	1	1	1	1	1	1	1	0	0	0	0	0	0	0	0	0	0	0	
PS0159	1	1	1	1	1	1	1	1	1	1	1	1	1	1	1	1	1	1	1	1	1	0	0	0	0	0	0	0	0	0	0	0	
PS0161	0	0	0	0	0	0	0	0	0	0	0	0	0	0	0	0	0	0	0	0	1	1	1	1	1	1	1	1	1	1	1	1	
PS0258A																																	
SEAL		TA	TA2	TB	TB2	TM	TS	TSA	TZ	TA	TFD	TS	TZ	E	EA	EB	E	EA	EB	EA	EB	A	B	F	G	TM	A	B					
EDH11	0	0	0	0	0	0	0	0	0	1	1	1	1	1	1	0	0	1	1	1	1	0	0	0	0	0	0	1	1	1	1	1	

ADJUSTMENT

1) Required Test Equipment

1. Regulated Power Supply

Supply voltage: 2V to 15V
Current: 2A or more
Standard voltage: 13.8V

2. Frequency Counter

Measurable frequency: Up to 1GHz
Measurements stability: 0.2ppm or so

3. Power Meter

Measurable frequency: Up to 500MHz
Impedance: 50Ω, unbalanced
Measuring range: Full scale of 10W or so

4. Linear Detector

Measurable frequency: Up to 500MHz
Characteristics: Flat
CN: 60dB or more

5. Digital Multimeter

Voltage range: FS = 18V or so
Input resistance: 1MΩ or more

6. Oscilloscope

Measurable frequency: DC to 30MHz

7. AF Voltmeter

Measurable frequency: 50Hz to 1MHz
Maximum sensitivity: 1mV or more

8. Spectrum Analyzer

Measuring range: DC to 2GHz or more

9. SSG

Maximum frequency: 1GHz or more
Output: -20dB/0.1μV to 120dB/1V
Output Impedance: 50Ω, unbalanced

10. Dummy Load

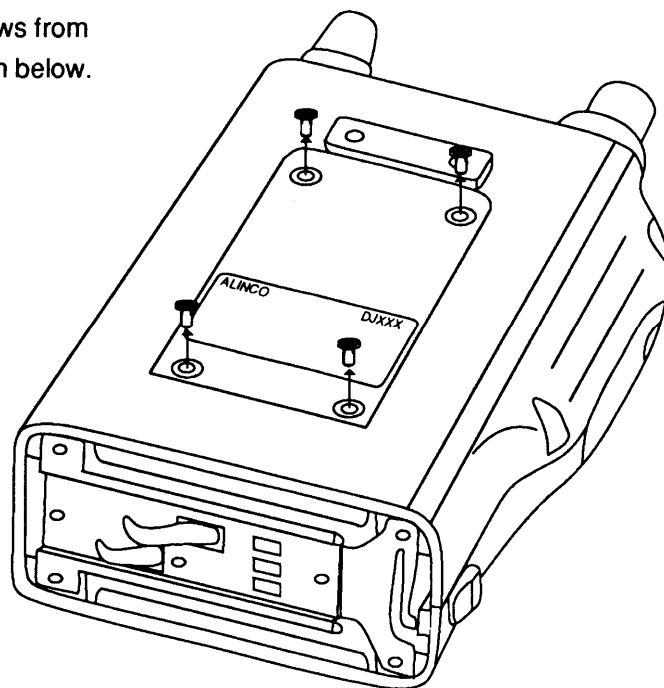
Impedance: 8Ω
Dissipation: 2W or more

11. Distortion Meter

Measurable frequency: 30Hz to 100kHz
Input level: 50mV to 10V rms

2) Before Adjustment

Remove four screws from the radio as shown below.



3) ADJUSTMENT for DJ180 DJ1400 (The Wide Version)

PLL Adjustment

Item	Condition	Measurement		Adjustment			Specifcatlons/ Remarks
		Test-equipment	Ternlinal	Unit	Parts	Method	
RX VCO	Frequency: 145.00MHz	Digital Multimeter	TP1	VCO	L205		1.5+/-0.05V
Reference Frequency	Frequency: 145.00MHz PTT: ON	Frequency Counter	ANT	RF	TC1		145.00MHz+/- 50Hz

TX Adjustment

Item	Condition	Measurement		Adjustment			Specifcatlons/ Remarks
		Test-equipment	Ternlinal	Unit	Parts	Method	
Power	Freq: ***** MHz PTT: ON Power: Low	PowerMeter	ANT	RF	VR1		0.4+/-0.05W
DEV	Freq: ***** MHz PTT: ON Power: Low AG output: 1KHz, -30dBm	AF OSC Liner Detector	ANT	RF	VR2		4.3KHz +/-0.2KHz/DEV
DTMF	Freq: ***** MHz PTT: ON Power: Low Push1"keyon"			DTMF	VR401		3.0KHz +/-0.5KHz/DEV
88.5HzTone	Freq: ***** MHz PTT: ON Power: Low			TONE	VR701		0.8KHz+/- 0.1KHz/DEV

RX Adjustment

Item	Condition	Measurement		Adjustment			Specifcatlons/ Remarks
		Test-equipment	Ternlinal	Unit	Parts	Method	
RXFront End	Frequency: ***** MHz SSGmod: 1KHz, 3.5kHzDEV	SSG Oscilloscope AFVoltmeter Distorlion Meter	SP	RF	L4~L7	12dB SINAD: MAX	12dB SINAD - 6.0dBuV(EMF)

*****MHz

DJ-180 T/E/	
DJ1400 /A/B	145.00MHz
DJ-180TA2,TB2	162.00MHz

3) ADJUSTMENT for DJ1400AN/QN (The Narrow Version)

PLL Adjustment

Item	Condition	Measurement		Adjustment			Specfications/ Remarks
		Test-equipment	Ternlinal	Unit	Parts	Method	
RX VCO	Frequency: 145.00MHz	Digital Multimeter	TPI	VCO	L205		1.5+/-0.05V
Reference Frequency	Frequency: 145.00MHz PTT: ON	Frequency Counter	ANT	RF	TC1		145.00MHz+/- 50Hz

TX Adjustment

Item	Condition	Measurement		Adjustment			Specfications/ Remarks
		Test-equipment	Ternlinal	Unit	Parts	Method	
Power	Freq: *****MHz PTT: ON Power: Low	PowerMeter	ANT	RF	VR1		0.4+/-0.05W
DEV	Freq: *****MHz PTT: ON Power: Low AG output: 1KHz, -30dBm	AF OSC Liner Detector	ANT	RF	VR2		2.2KHz +/-0.2KHz/DEV
DTMF	Freq: *****MHz PTT: ON Power: Low			DTMF	VR401		0.8KHz +/- 0.05KHz/DEV
88.5HzTone	Freq: *****MHz PTT: ON Power: Low			TONE	VR701		0.35KHz+/- 0.05kHz/DEV

RX Adjustment

Item	Condition	Measurement		Adjustment			Specfications/ Remarks
		Test-equipment	Ternlinal	Unit	Parts	Method	
RXFrnt End	Frequency: *****MHz SSGmod: 1KHz, 1.7kHzDEV	SSG Oscilloscope AFVoltmeter Distorlion Meter	SP	RF	L4~L7	12dB SINAD: MAX	12dB SINAD - 6.0dBuV(EMF)

*****MHz

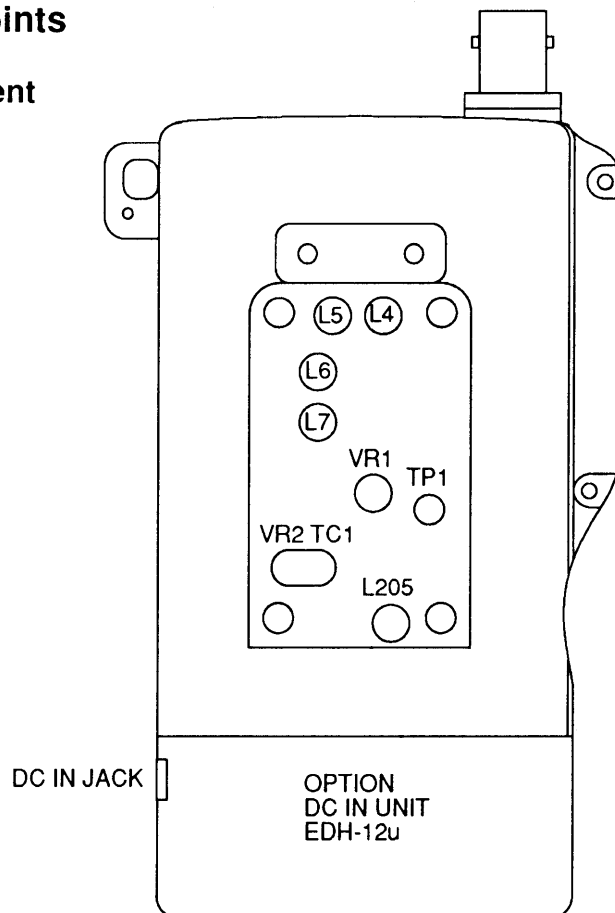
DJ1400AN	145.00MHz
DJ1400QN	162.00MHz

5) Adjustment Quick Reference

Parts	Item	Wide Version	Narrow Version
		Specifications	
L4	RX Sensitivity	-6dB μ V (12dB SINAD)	
L5	RX Sensitivity	-6dB μ V (12dB SINAD)	
L6	RX Sensitivity	-6dB μ V (12dB SINAD)	
L7	RX Sensitivity	-6dB μ V (12dB SINAD)	
L205	VCO Frequency	1.5 +/-0.05V	
TC1	Reference Frequency	145MHz +/- 50Hz	
VR1	TX Low Power	0.4 +/-0.05W	
VR2	Deviation	4.3kHz +/- 0.2kHz	2.2KHz+/-0.2KHz
VR401	DTMF Deviation	3.0kHz +/-0.5kHz	0.8KHz+/-0.05KHz
VR701	CTCSS Deviation	0.8kHz +/-0.1kHz	0.35KHz+/-0.05KHz

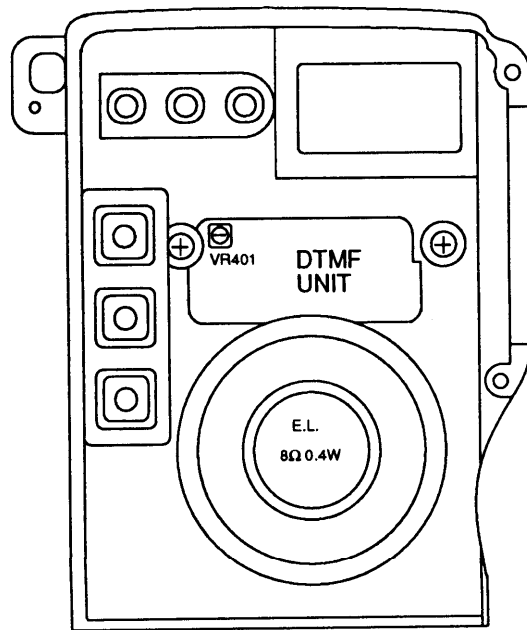
6) Adjustment Points

1. RF Unit Adjustment

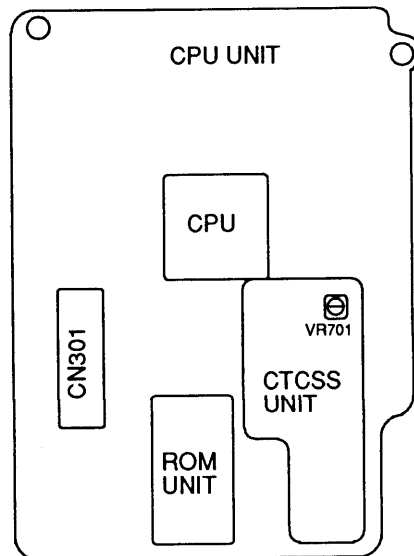


- Attach the DC IN unit to the radio and power supply voltage 13.8V will be supplied.

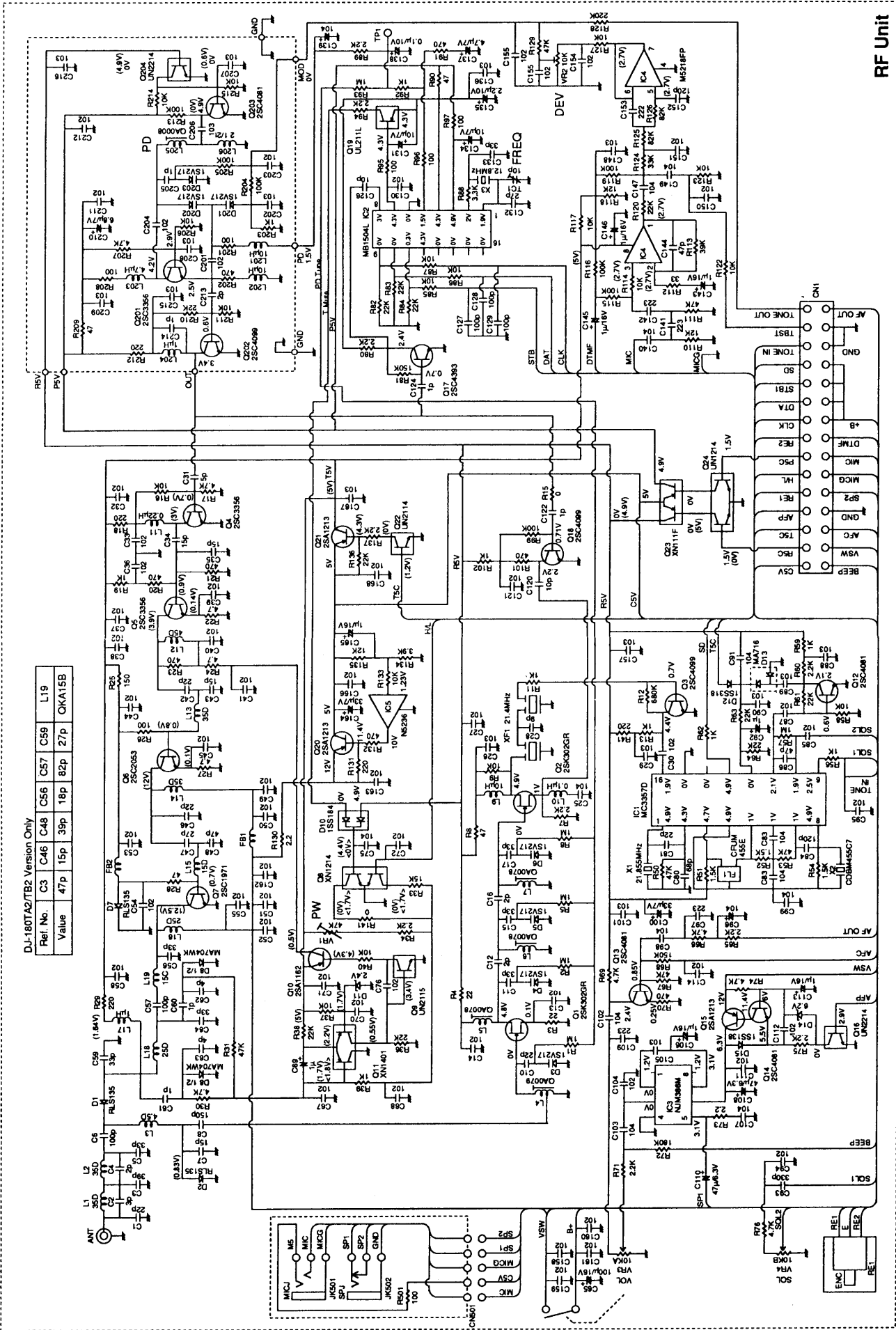
2. DTMF Unit Adjustment



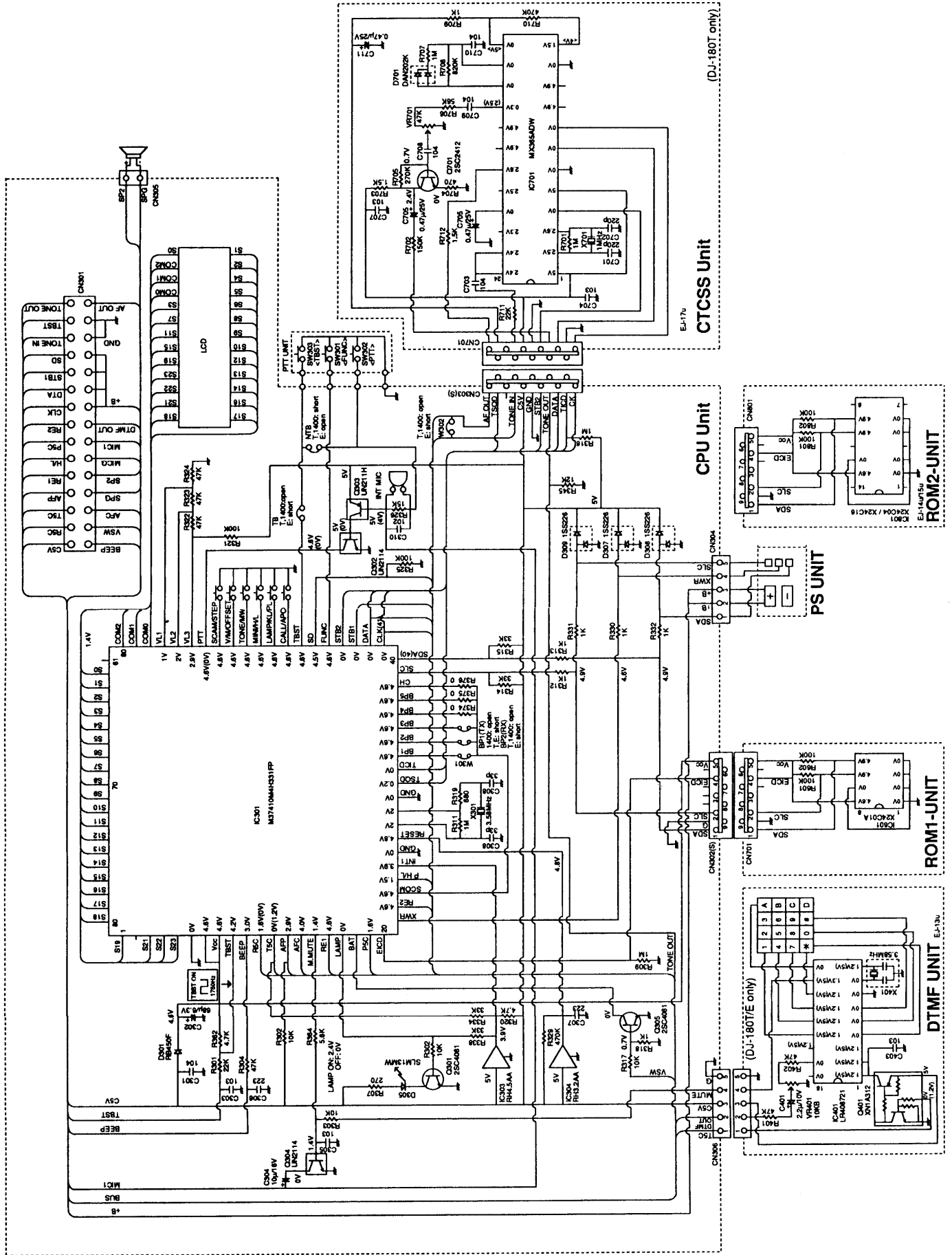
3. CTCSS Unit Adjustment



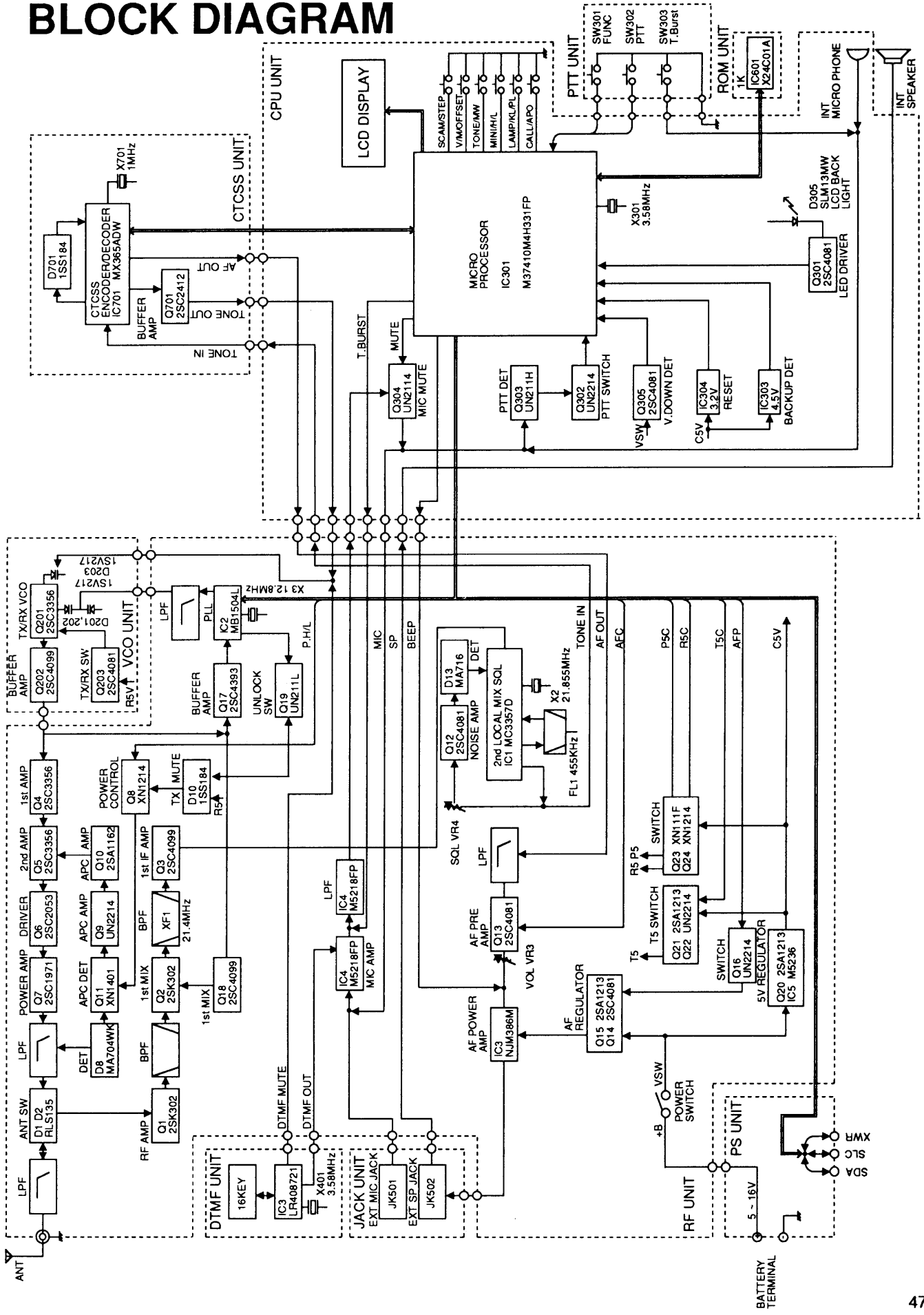
CIRCUIT DIAGRAM



RF Unit



BLOCK DIAGRAM



SCHEMATIC DIAGRAM DJ-1400

Specifications are subject to change without notice or obligation.

