

DR-599T/E

Service Manual

● SPECIFICATIONS	1
● PARTS LIST	2
● CABINET PARTS LOCATION	9
● ADJUSTMENT	10
● BLOCK DIAGRAM	12
● OVERALL WIRING	13
● SCHEMATIC DIAGRAM OF VHF MAIN UNIT	14
● VHF MAIN PC BOARDS	15
● SCHEMATIC DIAGRAM OF UHF MAIN UNIT	16
● UHF MAIN PC BOARDS	17
● SCHEMATIC DIAGRAM OF VHF/UHF PA UNIT	18
● VHF PA PC BOARDS	19
● UHF PA PC BOARDS	20
● SCHEMATIC DIAGRAM OF FRONT CONTROL UNIT	21
● FRONT CONTROL PC BOARDS	22
● SCHEMATIC DIAGRAM OF SUB CONTROL UNIT	23
● SUB CONTROL PC BOARDS	24
● SCHEMATIC DIAGRAM OF VOL UNIT	25
● VOL PC BOARDS	25
● SCHEMATIC DIAGRAM OF VHF VCO UNIT	26
● VHF VCO PC BOARDS	26
● SCHEMATIC DIAGRAM OF UHF VCO UNIT	27
● UHF VCO PC BOARDS	27
● SCHEMATIC DIAGRAM OF VHF PLL UNIT	28
● VHF PLL PC BOARDS	28
● SCHEMATIC DIAGRAM OF UHF PLL UNIT	29
● UHF PLL PC BOARDS	29
● SCHEMATIC DIAGRAM OF VHF AIR UNIT	30
● VHF AIR PC BOARDS	30
● SCHEMATIC DIAGRAM OF 880 FRONT UNIT	30
● 880 FRONT PC BOARDS	30

ALINCO ELECTRONICS INC.

■ SPECIFICATIONS

■ General

Frequency coverage..... ● DR-599T(U.S.Version)
 144.000–147.995MHz (TX), 130.000–173.995MHz (RX),
 440.000–449.995MHz (TX), 400.000–500.000 MHz (RX)
 ● DR-599E(Europe Version)
 144.000–145.995MHz (TX & RX)
 430.000–439.995MHz (TX & RX)

Frequency Resolution.....5, 10, 12.5, 15, 20, and 25kHz steps

Antenna Impedance.....50 Ohms, unbalanced

Power Supply Requirement.....13.8 Volts D.C.

Current Drain at 13.8V.....Receiving
 Squelched: does not exceed 800mA
 Trans-mitting
 VHF High: 45W approx. 9.5A
 Middle: 10W approx. 4.5A
 Low: 5W approx. 3.5A
 UHF High: 35W approx. 10A
 Middle: 8W approx. 5A
 Low: 4W approx. 4A

Dimension.....150mm(W) X 50mm(H) X 178mm(D)
 (5–9/10") (2") (7")

Weight.....Approx. 1.5kgs (3.3lbs.)

■ Transmitter

Output Power.....VHF High: Approx. 45W
 Middle: 10W
 Low: 5W
 UHF High: Approx. 35W
 Middle: 8W
 Low: 4W

Emission Mode.....F3 (FM)

Modulation System.....Variable Reactance F.M.

Max. Frequency Deviation.....±5kHz

Spurious Emission.....–60dB or under below carrier

Microphone.....Electret Condenser Microphone

Operating Mode.....Simplex
 Duplex:
 5kHz and 12.5kHz steps between 0 and 10.995MHz from receive
 frequency at 144–147.995MHz and 440–449.995MHz

DTMF Encoder.....Built-in (DR-599T only)

■ Receiver

Receiving System.....Superheterodyne, Dual Conversion

Modulation Acceptance.....F3 (FM)

Intermediate Frequency.....1st 21.6MHz and 455kHz at VHF
 1st 30.825MHz and 455kHz at UHF

Sensitivity.....12dB SINAD –16dB_μ

Selectivity.....±6kHz or under at –6dB
 ±12kHz or under at –60dB

Audio Power Output.....Approx. 2.5W

Speaker Impedance.....8 Ohms

■ MODEL CHART

Type	DR-599T	DR-599E
Tone Burst	Not Available	1.750Hz
Subaudible Tone	Encode Included, Decode Optional	Optional
DTMF	Included (16 Buttons)	Optional

Note: Specifications are approximate and are subject to change without notice or obligation.

PARTS LIST

Ref. No.	Part Code	Part Name and Number	Ref. No.	Part Code	Part Name and Number	Ref. No.	Part Code	Part Name and Number
VHF MAIN Unit								
C1	CU9007	Chip C, CC3216CH1H330J	C84	CU8016	Chip C, C2012B1H102K	R22	RK0035	Chip R, MCR10EZJ102
C2	CU8016	Chip C, C2012B1H102K	C85	CE0315	Chemical C, 16CV 47B	R23	RK0028	Chip R, MCR10EZJ471E
C3	CU0060	Chip C, C2012CH1H470J	C86	CU0051	Chip C, C2012CH1H471K	R24	RK0062	Chip R, MCR10EZJ473
C4	CU8016	Chip C, C2012B1H102K	C87	CU8016	Chip C, C2012B1H102K	R25	RK0035	Chip R, MCR10EZJ102E
C6	CU0069	Chip C, C2012CH1H680J	C88	CU8016	Chip C, C2012B1H102K	R26	RK0056	Chip R, MCR10EZJ223E
C7	CU0060	Chip C, C2012CH1H470J	C89	CU0051	Chip C, C2012CH1H471K	R27	RK0035	Chip R, MCR10EZJ102E
C8	CU0067	Chip C, C2012CH1H390J	C90	CS0061	Chip Tantal, TMC1V224TR	R28	RK0076	Chip R, MCR10EZJ334E
C11	CU8016	Chip C, C2012B1H102K	C91	CU8016	Chip C, C2012B1H102K	R29	RK0044	Chip R, MCR10EZJ392E
C12	CU0071	Chip C, C2012CH1H101J	C92	CU8016	Chip C, C2012B1H102K	R30	RK0069	Chip R, MCR10EZJ104E
C13	CU8016	Chip C, C2012B1H102K	C93	CU8016	Chip C, C2012B1H102K	R31	RK0035	Chip R, MCR10EZJ102E
C14	CU8016	Chip C, C2012B1H102K	C94	CU8016	Chip C, C2012B1H102K	R32	RK0052	Chip R, MCR10EZJ103E
C15	CU0062	Chip C, C2012CH1H150J	C95	CU0062	Chip C, C2012CH1H150J	R33	RK0069	Chip R, MCR10EZJ104E
C16	CU8016	Chip C, C2012B1H102K	C96	CU0051	Chip C, C2012CH1H471K	R34	RK0073	Chip R, MCR10EZJ224
C17	CU8016	Chip C, C2012B1H102K	C97	CU8016	Chip C, C2012B1H102K	R35	RK0025	Chip R, MCR10EZJ331E
C18	CU0060	Chip C, C2012CH1H470J	C98	CU8016	Chip C, C2012B1H102K	R36	RK0081	Chip R, MCR10EZJ564
C19	CU0060	Chip C, C2012CH1H470J	C99	CU8016	Chip C, C2012B1H102K	R38	RK0081	Chip R, MCR10EZJ564E
C20	CE0030	Chemical C, 16MS7 10	C100	CU8016	Chip C, C2012B1H102K	R39	RK0042	Chip R, MCR10EZJ332E
C21	CU8032	Chip C, C2012B1E223K	C101	CU0003	Chip C, C2012CH1H020C	R40	RK0047	Chip R, MCR10EZJ562E
C22	CU8003	Chip C, C2012JF1E104Z	C102	CU8016	Chip C, C2012B1H102K	R41	RK0056	Chip R, MCR10EZJ223E
C23	CU8003	Chip C, C2012JF1E104Z	C104	CE0312	Chemical C, 16CV 10B	R42	RK0056	Chip R, MCR10EZJ223E
C24	CU8003	Chip C, C2012JF1E104Z	C105	CU8016	Chip C, C2012B1H102K	R43	RK0062	Chip R, MCR10EZJ473E
C25	CU8016	Chip C, C2012B1H102K	C106	CU8038	Chip C, CMB16Y5V105Z25VAT	R44	RK0035	Chip R, MCR10EZJ102E
C26	CU8016	Chip C, C2012B1H102K	C107	CE0312	Chemical C, 16CV 10B	R45	RK0035	Chip R, MCR10EZJ102E
C28	CU8016	Chip C, C2012B1H102K	C108	CU8038	Chip C, CMB16Y5V105Z25VAT	R46	RK0018	Chip R, MCR10EZJ101E
C29	CU8016	Chip C, C2012B1H102K	C109	CE0124	Chemical C, 16MS7 47	R47	RK0081	Chip R, MCR10EZJ564E
C30	CU8028	Chip C, C2012B1H103K	C110	CE0042	Chemical C, 16V 220 uF	R48	RK0053	Chip R, MCR10EZJ123
C31	CS0060	Chip Tantal, TMC1E474	C111	CE0124	Chemical C, 16MS7 47	R49	RK0039	Chip R, MCR10EZJ221E
C32	CU8022	Chip C, C2012B1H332K	C112	CE0124	Chemical C, 16MS7 47	R50	RK0023	Chip R, MCR10EZJ227E
C33	CU8035	Chip C, C2012B1E393K	C113	CE0124	Chemical C, 16MS7 47	R51	RK0056	Chip R, MCR10EZJ223E
C34	CE0312	Chemical C, 16CV10B	C114	CE0181	Chemical C, 10TWSS 470	R52	RK0062	Chip R, MCR10EZJ473E
C35	CU8003	Chip C, C2012JF1E104Z	C115	CE0181	Chemical C, 10TWSS 470	R53	RK0052	Chip R, MCR10EZJ103E
C36	CU0045	Chip C, C2012CH1H271K	C116	CU8003	Chip C, C2012JF1E104Z	R54	RK0081	Chip R, MCR10EZJ564E
C37	CU8016	Chip C, C2012B1H102K	C117	CU8003	Chip C, C2012JF1E104Z	R55	RK0045	Chip R, MCR10EZJ472E
C38	CS0061	Chip Tantal, TMC1V224	C118	CE0192	Chemical C, 16TWSS 470	R56	RK0079	Chip R, MCR10EZJ474E
C39	CS0061	Chip Tantal, TMC1V224	C119	CU8016	Chip C, C2012B1H102K	R57	RK0039	Chip R, MCR10EZJ222E
C40	CU8035	Chip C, C2012B1E393K	C120	CU0071	Chip C, C2012CH1H101J	R58	RK0039	Chip R, MCR10EZJ222E
C41	CU8028	Chip C, C2012B1H103K	C122	CU8016	Chip C, C2012B1H102K	R59	RK0107	Chip R, MCR10EZJ000E
C42	CU8034	Chip C, C2012X7R1E333K	C123	CU8041	Chip C, C2012UJ1H471J	R60	RK0069	Chip R, MCR10EZJ104E
C43	CU8035	Chip C, C2012B1E393K	C124	CU0003	Chip C, C2012CH1H020C	R61	RK0039	Chip R, MCR10EZJ222E
C44	CU8025	Chip C, C2012B1H562K	C125	CU8032	Chip C, C2012B1E223K	R62	RK0042	Chip R, MCR10EZJ332E
C45	CU8025	Chip C, C2012B1H562K	C126	CU0004	Chip C, C2012CH1H030C	R63	RK0052	Chip R, MCR10EZJ1103
C46	CU8016	Chip C, C2012B1H102K	C127	CU0066	Chip C, C2012CH1H330J	R66	RK0045	Chip R, MCR10EZJ472E
C47	CE0124	Chemical C, 16MS7 47	C128	CU0067	Chip C, C2012CH1H390J	R67	RK0001	Chip R, MCR10EZJ100E
C48	CU8038	Chip C, CMB16Y5V105Z25VA	C129	CU8016	Chip C, C2012B1H102K	R68	RK0056	Chip R, MCR10EZJ101E
C49	CU8038	Chip C, CMB16Y5V105Z25VA	C130	CU8003	Chip C, C2012JF1E104Z	R69	RK0052	Chip R, MCR10EZJ103E
C50	CU8016	Chip C, C2012B1H102K	C131	CU0051	Chip C, C2012CH1H471K	R70	RK0035	Chip R, MCR10EZJ102E
C51	CU8016	Chip C, C2012B1H102K	C132	CU8016	Chip C, C2012B1H102K	R71	RK0018	Chip R, MCR10EZJ101E
C52	CU8016	Chip C, C2012B1H102K	C133	CU0006	Chip C, C2012CH1H050C	R72	RK0076	Chip R, MCR10EZJ334E
C53	CU8016	Chip C, C2012B1H102K	C134	CE0312	Chemical C, 16CV 10B	R73	RK0039	Chip R, MCR10EZJ222E
C54	CU8028	Chip C, C2012B1H103K	C136	CU8016	Chip C, C2012B1H102K	R74	RK0018	Chip R, MCR10EZJ101E
C55	CU8028	Chip C, C2012B1H103K	C137	CE0312	Chemical C, 16CV 10B	R75	RK0052	Chip R, MCR10EZJ103E
C56	CU8016	Chip C, C2012B1H102K	C138	CS0050	Chip Tantal, TMC5B1A475MTR	R76	RK0052	Chip R, MCR10EZJ103E
C57	CU8016	Chip C, C2012B1H102K	C139	CU0066	Chip C, C2012CH1H330J	R77	RK0038	Chip R, MCR10EZJ182E
C58	CU8016	Chip C, C2012B1H102K	C140	CU8034	Chip C, C2012X7R1E333K	R78	RK0056	Chip R, MCR10EZJ223E
C59	CU8016	Chip C, C2012B1H102K	C141	CU8016	Chip C, C2012B1H102K	R79	RK0038	Chip R, MCR10EZJ182E
C60	CU0004	Chip C, C2012CH1H030C	C142	CE0033	Chemical C, 10MV 100UA	R80	RK0052	Chip R, MCR10EZJ103E
C61	CS0049	Chip Tantal, TMC5A1C105MTR	C143	CU8016	Chip C, C2012B1H102K	R81	RK0052	Chip R, MCR10EZJ103E
C62	CU0068	Chip C, C2012CH1H560J	C145	CU8016	Chip C, C2012B1H102K	R82	RK0056	Chip R, MCR10EZJ223E
C63	CU8016	Chip C, C2012B1H102K	C148	CU8016	Chip C, C2012B1H102K	R83	RK0018	Chip R, MCR10EZJ101E
C64	CE0312	Chemical C, 16CV 10B	R1	RK0069	Chip R, MCR10EZJ104	R84	RK0039	Chip R, MCR10EZJ222E
C65	CS0049	Chip Tantal, TMC1C105	R2	RK0052	Chip R, MCR10EZJ103E	R85	RK0018	Chip R, MCR10EZJ101E
C66	CU8016	Chip C, C2012B1H102K	R3	RK0018	Chip R, MCR10EZJ101E	R86	RK0035	Chip R, MCR10EZJ102E
C67	CU0064	Chip C, C2012CH1H220J	R4	RK0069	Chip R, MCR10EZJ104E	R87	RK0056	Chip R, MCR10EZJ223E
C68	CU0071	Chip C, C2012CH1H101J	R5	RK0011	Chip R, MCR10EZJ470E	R88	RK0045	Chip R, MCR10EZJ472E
C69	CU0043	Chip C, C2012CH1H221K	R6	RK0018	Chip R, MCR10EZJ101E	R89	RK0014	Chip R, MCR10EZJ680E
C70	CU8028	Chip C, C2012B1H103K	R7	RK0045	Chip R, MCR10EZJ472	R90	RK0018	Chip R, MCR10EZJ101E
C71	CU8016	Chip C, C2012B1H102K	R8	RK0069	Chip R, MCR10EZJ104E	R91	RK0025	Chip R, MCR10EZJ331E
C72	CU0006	Chip C, C2012CH1H050C	R9	RK0069	Chip R, MCR10EZJ104E	R92	RK0011	Chip R, MCR10EZJ470E
C73	CU8016	Chip C, C2012B1H102K	R10	RK0069	Chip R, MCR10EZJ104E	R93	RK0037	Chip R, MCR10EZJ152E
C74	CU8028	Chip C, C2012B1H103K	R11	RK0035	Chip R, MCR10EZJ102E	R94	RK0008	Chip R, MCR10EZJ330E
C75	CU8028	Chip C, C2012B1H103K	R12	RK0056	Chip R, MCR10EZJ223E	R95	RK0011	Chip R, MCR10EZJ470E
C76	CU0071	Chip C, C2012CH1H101J	R13	RK0011	Chip R, MCR10EZJ470E	R96	RK0022	Chip R, MCR10EZJ221E
C77	CU0071	Chip C, C2012CH1H101J	R14	RK0045	Chip R, MCR10EZJ472E	R97	RK0128	Chip R, MCR10EZJ566E
C78	CU0071	Chip C, C2012CH1H101J	R15	RK0074	Chip R, MCR10EZJ274E	R98	RK0022	Chip R, MCR10EZJ221E
C79	CU8038	Chip C, CMB16Y5V105Z25VAT	R16	RK0018	Chip R, MCR10EZJ101E	R99	RK2010	Chip R, MCR50EZJ330E
C80	CU8016	Chip C, C2012B1H102K	R17	RK0018	Chip R, MCR10EZJ101E	R100	RK0035	Chip R, MCR10EZJ102E
C81	CU0066	Chip C, C2012CH1H330J	R18	RK0025	Chip R, MCR10EZJ331	R101	RK0056	Chip R, MCR10EZJ223E
C82	CS0049	Chip Tantal, TMC1C105	R19	RK0062	Chip R, MCR10EZJ473E	R102	RK0052	Chip R, MCR10EZJ103E
C83	CU8016	Chip C, C2012B1H102K	R20	RK0069	Chip R, MCR10EZJ104	R103	RK0052	Chip R, MCR10EZJ103E
			R21	RK0059	Chip R, MCR10EZJ333	R104	RK0056	Chip R, MCR10EZJ223E
						R105	RK2000	Chip R, MCR50EZJ474E

Ref. No.	Part Code	Part Name and Number	Ref. No.	Part Code	Part Name and Number	Ref. No.	Part Code	Part Name and Number
R106	RK0011	Chip R, MCR10EZHJ470E	Q14	XU0014	Digital Transistor, DTC114 EKT14	C26	CU8032	Chip C, C2012B1E223K
R107	RK0130	Chip R, MCR10EZHJ4R7E	Q15	XT0061	Transistor, 2SB1132Q	C27	CU8003	Chip C, C2012JF1E104Z
R108	RK0130	Chip R, MCR10EZHJ4R7E	Q16	XT0081	Transistor, 2SC2714YTE85L	C28	CU0067	Chip C, C2012CH1H390J
R109	RK0069	Chip R, MCR10EZHJ104	Q17	XT0030	Transistor, 2SC3356BR25	C29	CU0051	Chip C, C2012CH1H471K
R110	RK0073	Chip R, MCR10EZHJ224	Q18	XT0048	Transistor, 2SC3357RE	C30	CU0071	Chip C, C2012CH1H101J
R111	RK0011	Chip R, MCR10EZHJ470E	Q19	XT0078	Transistor, 2SC3369	C31	CU8028	Chip C, C2012CH1H103K
R112	RK0037	Chip R, MCR10EZHJ152E	Q20	XT0061	Transistor, 2SB1132Q	C32	CS0060	Chip Tantal, TMC1E474
R113	RK0045	Chip R, MCR10EZHJ472E	Q21	XU0019	Digital Transistor, DTA114YKT14	C33	CU0064	Chip C, C2012CH1H220J
R114	RK0023	Chip R, MCR10EZHJ271E	Q22	XU0019	Digital Transistor, DTA144YK	C34	CU8003	Chip C, C2012JF1E104Z
R115	RK0023	Chip R, MCR10EZHJ271E	Q23	XT0037	Transistor, 2SC2412KR	C35	CU0043	Chip C, C2012CH1H221K
R116	RK0069	Chip R, MCR10EZHJ104E	Q24	XT0037	Transistor, 2SC2412KR	C36	CU8016	Chip C, C2012B1H102K
R117	RK0070	Chip R, MCR10EZHJ124E	Q27	XU0014	Digital Transistor, DTC144EK	C37	CS0061	Chip Tantal, TMC1V224
R119	RK0052	Chip R, MCR10EZHJ103E	Q28	XU0014	Digital Transistor, DTC114EKT14	C38	CS0061	Chip Tantal, TMC1V224
R120	RK1107	Chip R, MCR18EZHJ000E	Q30	XU0014	Digital Transistor, DTC114EKT14	C39	CU8035	Chip C, C2012B1E393K
R121	RK0035	Chip R, MCR10EZHJ102E	Q31	XT0037	Transistor, 2SC2412KR	C40	CU8028	Chip C, C2012CH1H103K
R122	RK0071	Chip R, MCR10EZHJ154E	Q32	XU0014	Digital Transistor, DTC114EKT14	C41	CU8034	Chip C, C2012X7R1E333K
R123	RK2000	Chip R, MCR50EZHJ4R7E	Q33	XE0004	FET, 2SK209GRTE85L	C42	CU8035	Chip C, C2012B1E393K
R124	RK0059	Chip R, MCR10EZHJ333E	FL1	XF0001	X'fil, DFM21615B1	C43	CU8025	Chip C, C2012B1H562K
R125	RK0073	Chip R, MCR10EZHJ224E	FL2	XC0001	Ceramic Filter, CFW455F	C44	CU8025	Chip C, C2012B1H562K
R130	RK0052	Chip R, MCR10EZHJ103	X1	XQ0023	Ceramic Filter, UM-1 22.055MHz	C45	CU8038	Chip C, CM316Y5V105Z25VA
R131	RK0076	Chip R, MCR10EZHJ334	X2	XQ0038	Ceramic Filter, HC-49/U, 12.8MHz	C46	CU8016	Chip C, C2012B1H102K
R132	RK0107	MCR10EZHJ000	TH1	XS0004	Thermistor, TD5A1500	C47	CE0124	Chemical C, 16VMS7 47
R133	RK0056	Chip R, MCR10EZHJ223	L1	QA0057	Coil, Front End	C48	CU8038	Chip C, CM316Y5V105Z25VA
TP1	UE0041	Pin Jack, TMP-J01X-V6	L2	QA0066	Coil, 144M S-10	C49	CU0051	Chip C, C2012CH1H471K
TP2	UE0047	Round Pin, R9 X10	L3	QA0066	Coil, 144M S-10	C50	CU0051	Chip C, C2012CH1H471K
TP3	UE0047	Round Pin, R9 X10	L4	QA0066	Coil, 144M S-10	C51	CU8016	Chip C, C2012B1H102K
TP4	UE0047	Round Pin, R9 X10	L5	QA0005	Coil, 40092	C52	CU8016	Chip C, C2012B1H102K
CN30	UE0043	Post With Base, PI22A02M	L6	QA0005	Coil, 40092	C53	CU8016	Chip C, C2012B1H102K
CN31	UE0109	Connector, 52030-1810	L7	QA0044	Coil, 455kHz	C54	CS0049	Chip Tantal, TMC1C105
CN32	UE0113	Connector, 5512-03A	L8	QA0058	Coil	C55	CU8016	Chip C, C2012B1H102K
CN33	UE0108	Connector, 6FE-BT	L9	QC0034	Chip Coil, NL322522T-R39M	C56	CE0312	Chemical C, 16CV10B
CN34	UE0075	Pin Jack, TMP-J01X-A2	L10	QC0065	Chip Coil, NL322522T-068M	C57	CU8016	Chip C, C2012B1H102K
CN35	UE0075	Pin Jack, TMP-J01X-A2	L11	QC0067	Chip Coil, NL322522T-R10M	C58	CE0312	Chemical C, 16CV10B
IC1	XA0156	IC, MC3361BD	L12	QC0063	Chip Coil, NL322522T-047M	C59	CU8016	Chip C, C2012B1H102K
IC2	XA0033	IC, μ PC393G	VR1	RH0037	VR, CVR-42A-472AD	C60	CE0315	Chemical C, 16CV47B
IC3	XA0114	IC, μ PD6345GS	VR2	RH0031	VR, CVR-42A-103AD	C61	CU8016	Chip C, C2012B1H102K
IC4	XA0116	IC, LA4445	VR3	RH0038	VR, CVR-42A-473AD	C62	CU8016	Chip C, C2012B1H102K
IC5	XA0115	IC, TC4S66F	TC1	CT0031	Trimmer, CTZ-05A	C63	CS0065	Chip Tantal, TMC1D684
IC6	XA0115	IC, TC4S66F	TC2	CT0030	Trimmer, CTZ-20C	C64	CU8016	Chip C, C2012B1H102K
IC7	XA0087	IC, TC4S01F	TC3	CT0030	Trimmer, CTZ-20C	C65	CU0071	Chip C, C2012CH1H101J
D1	XD0112	Pin-D, 1SV128				C66	CU0071	Chip C, C2012CH1H101J
D2	XD0100	Varicap, 1SV164				C67	CU0071	Chip C, C2012CH1H101J
D3	XD0100	Varicap, 1SV164				C68	CU8038	Chip C, CM316Y5V105Z25VA
D4	XD0100	Varicap, 1SV164				C69	CU8016	Chip C, C2012B1H102K
D5	XD0100	Varicap, 1SV164				C70	CU8016	Chip C, C2012B1H102K
D6	XD0097	Diode, 1SS268TE85				C71	CU0004	Chip C, C2012CH1H030C
D7	XD0100	Varicap, 1SV164				C72	CU8016	Chip C, C2012B1H102K
D8	XD0100	Varicap, 1SV164				C73	CU0006	Chip C, C2012CH1H050C
D9	XD0118	Diode, MA716				C74	CU8016	Chip C, C2012B1H102K
D10	XD0118	Diode, MA716				C75	CU0005	Chip C, C2012CH1H040C
D12	XD0120	Diode, MA704WK				C76	CU0051	Chip C, C2012CH1H471K
D13	XD0097	Diode, 1SS268				C77	CU0051	Chip C, C2012CH1H471K
D14	XD0041	Diode, DAP202K				C78	CU0051	Chip C, C2012CH1H471K
D15	XD0041	Diode, DAP202K				C79	CU0006	Chip C, C2012CH1H050C
D16	XD0040	Diode, DAN202K				C80	CU0051	Chip C, C2012CH1H471K
D17	XD0113	Zener Diode, 02CZ4.3Y				C81	CU0051	Chip C, C2012CH1H471K
D18	XD0104	Zener Diode, 02CZ6.2Y				C82	CU0063	Chip C, C2012CH1H180J
D19	XD0108	Diode, MA704TX				C83	CU0004	Chip C, C2012CH1H030C
D20	XD0103	Diode, 1SS226				C84	CU0051	Chip C, C2012CH1H471K
D21	XD0103	Diode, 1SS226TE85L				C85	CU0062	Chip C, C2012CH1H150J
D22	XD0040	Diode, DAN202KT146				C86	CU0051	Chip C, C2012CH1H471K
Q1	XE0013	FET, 3SK184S				C87	CU0051	Chip C, C2012CH1H471K
Q2	XE0013	FET, 3SK184S				C88	CE0312	Chemical C, 16CV10B
Q3	XT0037	Transistor, 2SC2412KT146R				C89	CE0312	Chemical C, 16CV10B
Q4	XT0081	Transistor, 2SC2714T				C90	CU0051	Chip C, C2012CH1H471K
Q5	XT0037	Transistor, 2SC2412KR				C91	CU0051	Chip C, C2012CH1H471K
Q6	XT0037	Transistor, 2SC2412KR				C92	CU0051	Chip C, C2012CH1H471K
Q7	XT0037	Transistor, 2SC2412KR				C93	CU8016	Chip C, C2012B1H102K
Q8	XT0037	Transistor, 2SC2412KR				C94	CU8016	Chip C, C2012B1H102K
Q9	XT0037	Transistor, 2SC2412KT146R				C95	CU8016	Chip C, C2012B1H102K
Q10	XT0037	Transistor, 2SC2412KR				C96	CE0030	Chemical C, 16VMS7 10
Q11	XT0037	Transistor, 2SC2412KR				C97	CU8028	Chip C, C2012CH1H103K
Q12	XT0077	Transistor, 2SC3326AL				C98	CU8028	Chip C, C2012CH1H103K
Q13	XU0014	Digital Transistor, DTC144EK				C99	CS0049	Chip Tantal, TMC1C105
						C100	CE0312	Chemical C, 16CV10B
						C101	CS0049	Chip Tantal, TMC1C105
						C102	CU8028	Chip C, C2012CH1H103K
						C103	CU8028	Chip C, C2012CH1H103K
						C104	CE0312	Chemical C, 16CV10B
						C105	CE0030	Chemical C, 16VMS7 10
						C106	CE0312	Chemical C, 16CV10B

Ref. No.	Part Code	Part Name and Number	Ref. No.	Part Code	Part Name and Number	Ref. No.	Part Code	Part Name and Number
C107	CJ0071	Chip C, C2012CH1H101J	R56	RK0035	Chip R, MCR10EZHZJ102E	TP2	UE0047	Round Pin, R9 ×10
C108	CJ8032	Chip C, C2012B1E223K	R57	RK0038	Chip R, MCR10EZHZJ182E	TP4	UE0047	Round Pin, R9 ×10
C110	CJ8016	Chip C, C2012B1H102K	R58	RK0052	Chip R, MCR10EZHZJ103E	CN51	UE0109	Connector, 52030-1810
C111	CJ0051	Chip C, C2012CH1H471K	R59	RK0052	Chip R, MCR10EZHZJ103E	CN52	UE0111	Connector, 5513-03CPB
C112	CJ0067	Chip C, C2012CH1H390J	R60	RK0052	Chip R, MCR10EZHZJ103E	CN53	UE0108	Connector, 6FE-BT
C113	CE0312	Chemical C, 16CV10B	R61	RK0052	Chip R, MCR10EZHZJ103E	CN54	UE0075	Pin Jack, TMP-J01X-A2
C114	CJ8016	Chip C, C2012B1H102K	R62	RK0056	Chip R, MCR10EZHZJ223E	CN55	UE0075	Pin Jack, TMP-J01X-A2
C115	CJ8016	Chip C, C2012B1H102K	R63	RK0018	Chip R, MCR10EZHZJ101E	CN58	UE0108	Connector, 6FE-BT
C116	CJ8016	Chip C, C2012B1H102K	R65	RK0018	Chip R, MCR10EZHZJ101E	IC1	XA0156	IC, MC3361BD
C117	CJ8016	Chip C, C2012B1H102K	R66	RK0039	Chip R, MCR10EZHZJ222E	IC2	XA0033	IC, μPC393G
C118	CJ8016	Chip C, C2012B1H102K	R67	RK0035	Chip R, MCR10EZHZJ102E	IC3	XA0114	IC, μPD6345GS
C119	CJ0003	Chip C, C2012CH1H020C	R68	RK0045	Chip R, MCR10EZHZJ472E	IC4	XA0119	IC, AN8010M
C120	CJ8016	Chip C, C2012B1H102K	R69	RK0035	Chip R, MCR10EZHZJ102E	D4	XD0040	Diode, DAN202K
C121	CJ8016	Chip C, C2012B1H102K	R70	RK0011	Chip R, MCR10EZHZJ470E	D7	XD0118	Diode, MA716
C122	CJ8016	Chip C, C2012B1H102K	R71	RK0018	Chip R, MCR10EZHZJ101E	D8	XD0118	Diode, MA716
C124	CS0049	Chip Tantal, TMC1C105	R72	RK0011	Chip R, MCR10EZHZJ470E	D9	XD0040	Diode, DAN202K
C125	CJ8016	Chip C, C2012B1H102K	R73	RK0037	Chip R, MCR10EZHZJ152E	D10	XD0120	Diode, MA704WK
C126	CJ8016	Chip C, C2012B1H102K	R74	RK0001	Chip R, MCR10EZHZJ100E	D11	XD0112	Pin-D, 1SV128
C127	CE0312	Chemical C, 16CV10B	R75	RK0038	Chip R, MCR10EZHZJ182E	D12	XD0141	Diode, 1SV237TE85R
C128	CJ8016	Chip C, C2012B1H102K	R76	RK0045	Chip R, MCR10EZHZJ472E	D13	XD0041	Diode, DAP202K
C129	CJ8016	Chip C, C2012B1H102K	R77	RK0056	Chip R, MCR10EZHZJ223E	D14	XD0041	Diode, DAP202K
C130	CJ0060	Chip C, C2012CH1H470J	R78	RK0056	Chip R, MCR10EZHZJ223E	D15	XD0014	Diode, MI308
C131	CE0124	Chemical C, 16VMS7 47	R79	RK0056	Chip R, MCR10EZHZJ223E	D16	XD0040	Diode, DAN202K
C132	CJ0071	Chip C, C2012CH1H101J	R80	RK0056	Chip R, MCR10EZHZJ223E	D17	XD0113	Zener, 02CZ4. 3Y
C133	CJ8016	Chip C, C2012B1H102K	R81	RK0052	Chip R, MCR10EZHZJ103E	D18	XD0104	Zener, 02CZ6. 2Y
C134	CJ0071	Chip C, C2012CH1H101J	R82	RK0028	Chip R, MCR10EZHZJ471E	D19	XD0103	Diode, 1SS226
C135	CJ0003	Chip C, C2012CH1H020C	R83	RK0052	Chip R, MCR10EZHZJ103E	D20	XD0103	Diode, 1SS226TE85L
C136	CJ0005	Chip C, C2012CH1H040C	R84	RK0020	Chip R, MCR10EZHZJ151E	Q1	XE0013	FET, 3SK184S
R1	RK0059	Chip R, MCR10EZHZJ333E	R85	RK0010	Chip R, MCR10EZHZJ390E	Q2	XE0014	FET, 3SK184R
R2	RK0069	Chip R, MCR10EZHZJ104E	R86	RK0020	Chip R, MCR10EZHZJ151E	Q3	XE0002	FET, 2SK125
R3	RK0018	Chip R, MCR10EZHZJ101E	R87	RK0020	Chip R, MCR10EZHZJ151E	Q4	XT0030	Transistor, 2SC3356BR25
R4	RK0018	Chip R, MCR10EZHZJ101E	R88	RK0039	Chip R, MCR10EZHZJ222E	Q5	XT0037	Transistor, 2SC2412KR
R5	RK0005	Chip R, MCR10EZHZJ220E	R89	RK0036	Chip R, MCR10EZHZJ122E	Q6	XT0037	Transistor, 2SC2412KR
R6	RK0018	Chip R, MCR10EZHZJ101E	R90	RK2010	Chip R, MCR50JZHJ330E	Q7	XT0037	Transistor, 2SC2412KR
R8	RK0056	Chip R, MCR10EZHZJ223E	R91	RK0052	Chip R, MCR10EZHZJ103E	Q8	XT0037	Transistor, 2SC2412KR
R9	RK0035	Chip R, MCR10EZHZJ102E	R92	RK0052	Chip R, MCR10EZHZJ103E	Q10	XU0019	Digital Transistor, DTA114YKT14
R10	RK0038	Chip R, MCR10EZHZJ182E	R93	RK0059	Chip R, MCR10EZHZJ333E	Q11	XU0018	Digital Transistor, DTC124EK
R11	RK0052	Chip R, MCR10EZHZJ103E	R94	RK0107	Chip R, MCR10EZHZJ000E	Q12	XT0077	Transistor, 2SC3326A
R12	RK0022	Chip R, MCR10EZHZJ221E	R95	RK0011	Chip R, MCR10EZHZJ470E	Q13	XU0014	Digital Transistor, DTC144EK
R13	RK0042	Chip R, MCR10EZHZJ332E	R96	RK0045	Chip R, MCR10EZHZJ472E	Q14	XU0014	Digital Transistor, DTC144EK
R14	RK0045	Chip R, MCR10EZHZJ472E	R98	RK0070	Chip R, MCR10EZHZJ124E	Q15	XT0061	Transistor, 2SB1132Q
R15	RK0069	Chip R, MCR10EZHZJ104E	R99	RK0052	Chip R, MCR10EZHZJ103E	Q16	XT0030	Transistor, 2SC3356BR25
R16	RK0035	Chip R, MCR10EZHZJ102E	R100	RK0038	Chip R, MCR10EZHZJ182E	Q17	XT0030	Transistor, 2SC3356BR25
R17	RK0052	Chip R, MCR10EZHZJ103E	R101	RK2006	Chip R, MCR50EZHZJ150E	Q18	XT0048	Transistor, 2SC3357RE
R18	RK0056	Chip R, MCR10EZHZJ223E	R102	RK0073	Chip R, MCR10EZHZJ224E	Q19	XT0078	Transistor, 2SC3369
R19	RK0048	Chip R, MCR10EZHZJ682E	R103	RK0036	Chip R, MCR10EZHZJ122E	Q20	XU0014	Digital Transistor, DTC144EK
R20	RK0076	Chip R, MCR10EZHZJ334E	R104	RK0069	Chip R, MCR10EZHZJ104E	Q21	XT0061	Transistor, 2SB1132Q
R21	RK0044	Chip R, MCR10EZHZJ392E	R105	RK0107	Chip R, MCR10EZHZJ000E	Q22	XU0019	Digital Transistor, DTC124EK
R22	RK0076	Chip R, MCR10EZHZJ334E	R106	RK0107	MCR10EZHZJ000	Q23	XT0037	Transistor, 2SC2412KR
R23	RK0044	Chip R, MCR10EZHZJ392E	R108	RK0107	MCR10EZHZJ000	Q24	XT0037	Transistor, 2SC2412KR
R24	RK0052	Chip R, MCR10EZHZJ103E	VR1	RH0031	VR, CVR-42A-103AD	Q26	XT0038	Transistor, 2SA1037KT146R
R25	RK0069	Chip R, MCR10EZHZJ104E	VR2	RH0038	VR, CVR-42A-473AD	Q27	XT0037	Transistor, 2SC2412KR
R26	RK0028	Chip R, MCR10EZHZJ471E	VR3	RH0031	VR, CVR-42A-103AD	Q28	XT0092	Transistor, 2SA1307Y
R27	RK0056	Chip R, MCR10EZHZJ223E	VR4	RH0051	VR, CVR-42A-472AD	Q29	XU0018	Digital Transistor, DTC124EK
R28	RK0081	Chip R, MCR10EZHZJ564E	VR5	RH0036	VR, CVR-42A-102AD	Q30	XU0014	Digital Transistor, DTC144EK
R29	RK0042	Chip R, MCR10EZHZJ332E	TC1	CT0031	Trimmer, CTZ-05A	Q31	XT0061	Transistor, 2SB1132Q
R30	RK0047	Chip R, MCR10EZHZJ562E	TC2	CT0031	Trimmer, CTZ-05A	Q32	XT0030	Transistor, 2SC3356BR25
R31	RK0069	Chip R, MCR10EZHZJ104	L1	QA0069	HF Coil, 110-90124	Q33	XU0014	Digital Transistor, DTC144EK
R32	RK0035	Chip R, MCR10EZHZJ102E	L2	QA0069	HF Coil, 110-90124	FL1	XF0006	X'tal Filter, 30. 8M15AUM-1
R33	RK0035	Chip R, MCR10EZHZJ102E	L3	QA0042	Coil, 30RBMIF	FL2	XC0001	Ceramic Filter, CFW455F
R34	RK0018	Chip R, MCR10EZHZJ101E	L5	QA0044	Coil, 455kHz	W2	UX1004	Wire
R35	RK0056	Chip R, MCR10EZHZJ223E	L6	QK0036	Coil, 0R6-3-1R5FM	X1	XQ0034	X'tal, HC-49/T 30. 4MHz
R36	RK0044	Chip R, MCR10EZHZJ392E	L7	QC0056	Chip L, NL322522T-012M			
R37	RK0081	Chip R, MCR10EZHZJ564E	L8	QC0057	Chip L, NL322522T-015M			
R38	RK0039	Chip R, MCR10EZHZJ222E	L9	QC0062	Chip L, NL322522T-039M			
R39	RK0023	Chip R, MCR10EZHZJ271E	L10	QC0039	Chip L, NL322522T-1R0M			
R40	RK0056	Chip R, MCR10EZHZJ223E	L11	QC0059	Chip L, NL322522T-022M			
R41	RK0062	Chip R, MCR10EZHZJ473E	L12	QC0055	Chip L, NL322522T-010M			
R43	RK0081	Chip R, MCR10EZHZJ564E	L13	QC0055	Chip L, NL322522T-010M			
R44	RK0045	Chip R, MCR10EZHZJ472E	L14	QK0037	Coil, 0R6-3-2R5FM			
R45	RK0079	Chip R, MCR10EZHZJ474E	L15	QK0038	Coil, 0R7-3-1R5FM			
R46	RK0039	Chip R, MCR10EZHZJ222E	L17	QC0061	Chip L, NL322522T-033M			
R47	RK0035	Chip R, MCR10EZHZJ102E	L18	QC0055	Chip L, NL322522T-010M			
R48	RK0107	Chip R, MCR10EZHZJ000E	TH1	XS0004	Thermistor, TD5A150D			
R49	RK0039	Chip R, MCR10EZHZJ222E	TH2	XS0008	Thermistor, TD5C220D			
R51	RK0006	Chip R, MCR10EZHZJ270E	TP1	UE0041	Pin Jack, TMP-J01X-V6			
R52	RK0045	Chip R, MCR10EZHZJ472E						
R53	RK0006	Chip R, MCR10EZHZJ270E						
R54	RK0056	Chip R, MCR10EZHZJ223E						
R55	RK0056	Chip R, MCR10EZHZJ223E						

Ref. No.	Part Code	Part Name and Number	Ref. No.	Part Code	Part Name and Number	Ref. No.	Part Code	Part Name and Number
VHF PA Unit								
C1	CU8016	Chip C, C2012B1H102K	C17	CU7003	Chip C, C3K31NAR102K	C23	CU8016	Chip C, C2012B1H102K
C2	CE0201	Chemical C, 16MV10SZ	C24	CU8016	Chip C, C2012B1H102K	C24	CU8016	Chip C, C2012B1H102K
C3	CU8016	Chip C, C2012B1H102K	C25	CU8016	Chip C, C2012B1H102K	C25	CU8016	Chip C, C2012B1H102K
C4	CE0201	Chemical C, 16MV10SZ	C26	CS0208	Chip Tantal, TMC-MQJ475M	C26	CU8016	Chip C, C2012B1H102K
C5	CC5022	Ceramic C, HM60SJSL270K	C27	CU8016	Chip C, C2012B1H102K	C27	CU8016	Chip C, C2012B1H102K
C6	CU8016	Chip C, C2012B1H102K	C28	CU8016	Chip C, C2012B1H102K	C28	CU8016	Chip C, C2012B1H102K
C7	CC5021	Ceramic C, HM60SJ220J	C29	CS0208	Chip Tantal, TMC-MQJ475M	C29	CU8016	Chip C, C2012B1H102K
C8	CU0006	Chip C, C2012CH1H050C	C30	CU8016	Chip C, C2012B1H102K	C30	CS0052	Chip Tantal, TMC1A336
C9	CU0002	Chip C, C2012CH1H010C	C31	CU0051	Chip C, C2012CH1H471K	C31	CU0071	Chip C, C2012CH1H101J
C10	CC5023	Ceramic C, HM60SJ390J	C32	CU8016	Chip C, C2012B1H102K	C32	CU8034	Chip C, C2012X7R1E333K
C11	CU7003	Chip C, C3K31NAR102K	C33	CU0005	Chip C, C2012CH1H040C	C33	CU8040	Chip C, 2012JB1E473K
C12	CC5023	Ceramic C, HM60SJ390J	CN62	UE0108	Connector, 6FE-BT	C34	CU8038	Chip C, CM316Y5V105Z25VA
C13	CU0002	Chip C, C2012CH1H010C	CN64	UE0112	Connector, 5513-04CPB	C35	CU8038	Chip C, CM316Y5V105Z25VA
C14	CU8016	Chip C, C2012B1H102K	CN65	UE0116	Pin 1.0X18L	C36	CU8038	Chip C, CM316Y5V105Z25VA
C16	CU8016	Chip C, C2012B1H102K	CN67	UE0116	Pin 1.0X18L			(T only)
C17	CC5003	Ceramic C, HM60SJ330J	CN68	UA0002	R/B 1.25 X0.25M Plug			(E only)
C18	CU8016	Chip C, C2012B1H102K	CN6A	UE0108	Connector, 6FE-BT	C36	CU9010	Chip C, C32161H223KB
J1	UJ0020	Jack, HSJ0836-01-310	RT1	UE0119	RT Pin, RT-01T-1.0B			
J2	UJ0021	Jack, HSJ0837-01-010	RT2	UE0119	RT Pin, RT-01T-1.0B			
CN42	UE0108	Connector, 6FE-BT	RT3	UE0119	RT Pin, RT-01T-1.0B			
CN44	UE0114	Connector, 5512-04A	RT5	UE0119	RT Pin, RT-01T-1.0B			
CN48	UE0043	Post with Base, PI22A02M	R2	RK0107	Chip R, MCR10EZJH000E	C37	CU8038	Chip C, CM316Y5V105Z25VA
RT1	UE0119	RT Pin, RT-01T-1.0B	R3	RK0107	Chip R, MCR10EZJH000E	C38	CU8038	Chip C, CM316Y5V105Z25VA
RT2	UE0119	RT Pin, RT-01T-1.0B	R4	RK0045	Chip R, MCR10EZJH472E	C39	CU8016	Chip C, C2012B1H102K
RT3	UE0119	RT Pin, RT-01T-1.0B	R5	RK0011	Chip R, MCR10EZJH470E	C40	CE0118	Chemical C, 6R3MS7 220
IC1	XA0122	IC, M57726R	IC1	XA0077A	IC, M57788M	C41	CS0052	Chip Tantal, TMC1A336
D1	XD0106	Diode, UM9401	D1	XD0106	Diode, UM9401	C42	CU8016	Chip C, C2012B1H102K
D2	XD0014	Diode, MI308	D2	XD0014	Diode, MI308	C43	CU8016	Chip C, C2012B1H102K
D3	XD0102	Diode, ISS101	D3	XD0102	Diode, ISS101	C44	CS0052	Chip Tantal, TMC1A336
L1	QK0061	Coil, 0R8-3-9R5TLM	D5	XD0040	Diode, DAN202K	C45	CE0315	Chemical C, 16CV47B
L2	QK0042	Coil, 0R6-3-5R0 RM	D6	XD0107	Diode, G3B	C46	CU8016	Chip C, C2012B1H102K
L3	QK0060	Coil, 0R8-3-5R0 RS	L2	QK0044	Air Core Coil, 0R5-3R0-9R5T	C48	CS0221	Chip Tantal, TMC1C475TR
L4	QK0059	Coil, 0R8-3-4R0 RS	L3	QK0068	Air Core Coil, 0R8-3R0-2R5T	C49	CU0071	Chip C, C2012CH1H101J
L5	QK0061	Coil, 0R5-3-9R5 LM	L4	QK0065	Air Core Coil, 0R8-4R0-1R2T	C50	CU0051	Chip C, C2012CH1H471K
L6	QK0059	Coil, 0R8-3-4R0 RS	L5	QK0065	Air Core Coil, 0R8-4R0-1R2T	C51	CU0051	Chip C, C2012CH1H471K
L7	QK0059	Coil, 0R8-3-4R0 RS	L5	QK0094	Air Core Coil, 0R8-3R4-1R2T	C52	CU0060	Chip C, C2012CH1H470J
R1	RK0045	Chip R, MCR10EZJH472E	L7	QB0003	OP-2.6-3-1.2	C53	CU0065	Chip C, C2012CH1H270J
R2	RK0011	Chip R, MCR10EZJH470E	VR1	RH0038	VR, CVR-42A-473AD	C54	CU0065	Chip C, C2012CH1H270J
R4	RK2018	Chip R, MCR50JZHJ151E	W1	NRAE08CC	Wire #18R05-080-05	C55	CS0057	Chip Tantal, TMC0J225
VR1	RH0038	VR, CVR-42A-473AD	W8	UX1007	Wire	C56	CU8003	Chip C, C2012JF1E104Z
W3	UX1005	Wire	W9	UX1008	Wire	C57	CU8003	Chip C, C2012JF1E104Z
W5	UX1007	Wire	W18	NRAH08FC	Wire #24R15-080-05	C58	CU0071	Chip C, C2012CH1H101J
W6	UX1009	Wire				C59	CU8028	Chip C, C2012B1H103K
UHF PA Unit			CONTROL Unit			C60	CU8028	Chip C, C2012B1H103K
C1	CE0163	Chemical C, 16MV 1000AZ	C1	CU8003	Chip C, C2012JF1E104Z	C61	CU8028	Chip C, C2012B1H103K
C2	CU0051	Chip C, C2012CH1H471K	C2	CU8003	Chip C, C2012JF1E104Z	C62	CU8028	Chip C, C2012B1H103K
C3	CE0201	Chemical C, 16MV 10SZ	C3	CU8003	Chip C, C2012JF1E104Z	C63	CU8016	Chip C, C2012B1H102K
C4	CU0051	Chip C, C2012CH1H471K	C4	CU8003	Chip C, C2012JF1E104Z	C64	CU3023	Chip C, CM105CH101K50VA
C5	CE0201	Chemical C, 16MV 10SZ	C5	CU8003	Chip C, C2012JF1E104Z	C65	CU3023	Chip C, CM105CH101K50VA
C6	CU7014	Chip C, UC232H0060D-T	C6	CU8003	Chip C, C2012JF1E104Z	C66	CU3023	Chip C, CM105CH101K50VA
C7	CU0051	Chip C, C2012CH1H471K	C7	CU8003	Chip C, C2012JF1E104Z	C67	CU0071	Chip C, C2012CH1H101J
C8	CU0007	Chip C, C2012CH1H060D	C8	CU8003	Chip C, C2012JF1E104Z	C68	CU0071	Chip C, C2012CH1H101J
C9	CC5008	Ceramic C, HN60SJSL070D	C9	CU8003	Chip C, C2012JF1E104Z	C69	CU3053	Chip C, CM105Y5V333Z25VA
		(E only)	C10	CU8003	Chip C, C2012JF1E104Z	C70	CU8040	Chip C, 2012JB1E473K
C9	CC5016	Ceramic C, HN60SJSL080D	C11	CU8003	Chip C, C2012JF1E104Z	R1	RA0002	R. Ally, MNR12E 0AJ473E
		(T only)	C12	CU8003	Chip C, C2012JF1E104Z	R2	RA0002	R. Ally, MNR12E 0AJ473E
C10	CU0002	Chip C, C2012CH1H010C	C13	CU8003	Chip C, C2012JF1E104Z	R3	RA0002	R. Ally, MNR12E 0AJ473E
C11	CU8028	Chip C, C2012B1H103K	C14	CU8003	Chip C, C2012JF1E104Z	R4	RA0002	R. Ally, MNR12E 0AJ473E
C12	CU7021	Chip C, UC232H0160J	C15	CU8003	Chip C, C2012JF1E104Z	R5	RA0002	R. Ally, MNR12E 0AJ473E
C13	CU7022	Chip C, TE82UC232H0100D	C16	CU8003	Chip C, C2012JF1E104Z	R6	RA0002	R. Ally, MNR12E 0AJ473E
		(E only)	C17	CU8003	Chip C, C2012JF1E104Z	R8	RK0086	Chip R, MCR10EZJH105E
C13	CU7016	Chip C, TE82UC232H0080D	C18	CU8028	Chip C, C2012B1H103K	R9	RK0052	Chip R, MCR10EZJH103E
		(T only)	C19	CU8028	Chip C, C2012B1H103K	R10	RK0105	Chip R, MCR10EZJH2R2E
C14	CU8016	Chip C, C2012B1H102K	C20	CU8028	Chip C, C2012B1H103K	R11	RK0062	Chip R, MCR10EZJH473E
C15	CU8016	Chip C, C2012B1H102K	C21	CU8016	Chip C, C2012B1H102K	R12	RK0062	Chip R, MCR10EZJH473E
C16	CU8016	Chip C, C2012B1H102K	C22	CU8016	Chip C, C2012B1H102K	R13	RK0036	Chip R, MCR10EZJH122E
						R14	RK0036	Chip R, MCR10EZJH122E
						R15	RK0033	Chip R, MCR10EZJH821E
						R16	RK0033	Chip R, MCR10EZJH821E
						R17	RK0033	Chip R, MCR10EZJH821E
						R18	RK0033	Chip R, MCR10EZJH821E
						R19	RA0005	R. Ally, MNR14AJ473E
						R20	RA0005	R. Ally, MNR14AJ473E
						R21	RA0005	R. Ally, MNR14AJ473E
						R22	RA0005	R. Ally, MNR14AJ473E
						R23	RK0059	Chip R, MCR10EZJH333E
						R24	RK0062	Chip R, MCR10EZJH473E
						R25	RK0042	Chip R, MCR10EZJH332E
						R26	RK0037	Chip R, MCR10EZJH152E
						R27	RK0056	Chip R, MCR10EZJH223E
						R28	RK0045	Chip R, MCR10EZJH472E
						R29	RK0062	Chip R, MCR10EZJH473E
						R30	RK0062	Chip R, MCR10EZJH473E
						R31	RK0107	Chip R, MCR10EZJH000E

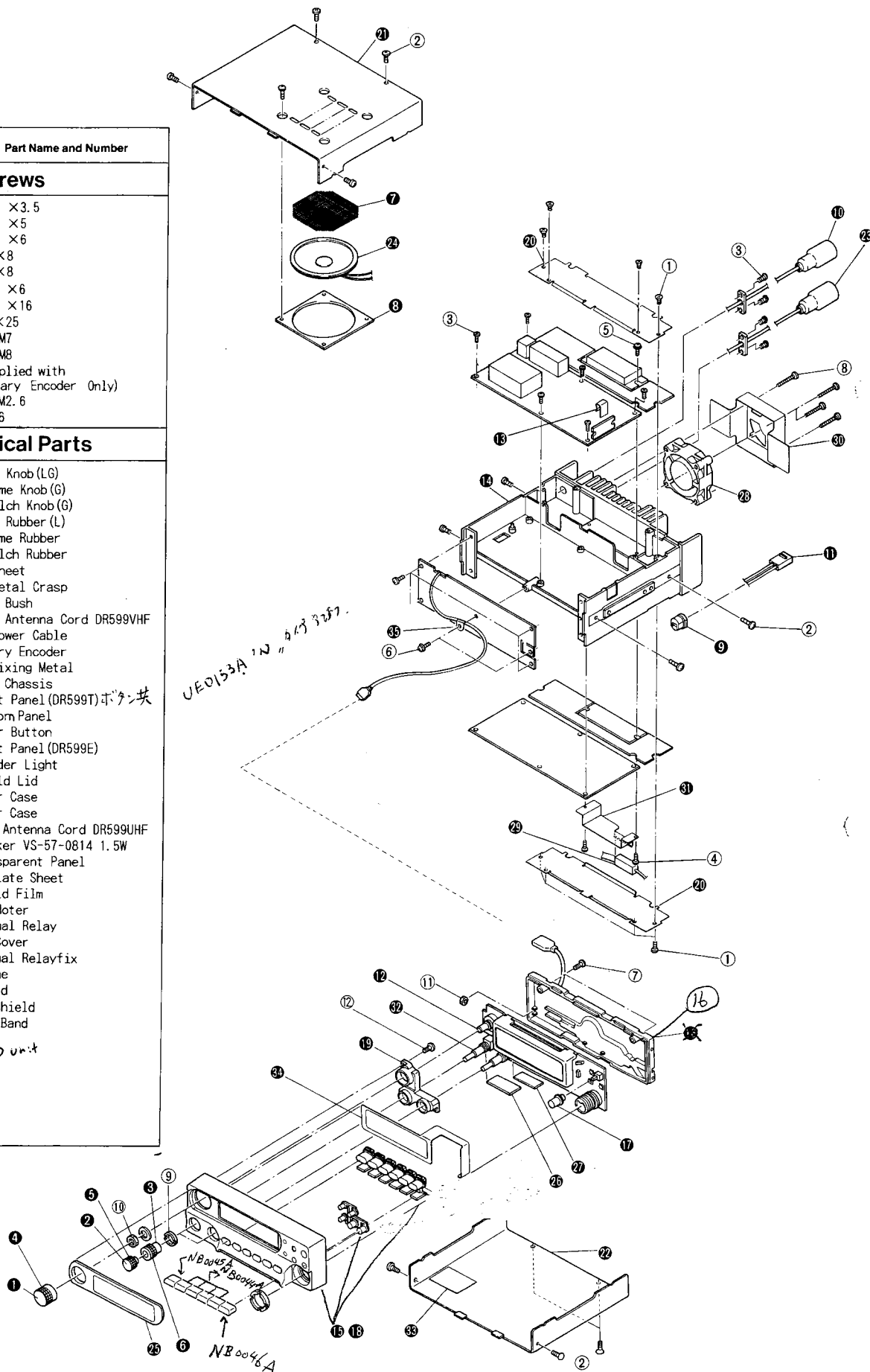
Ref. No.	Part Code	Part Name and Number	Ref. No.	Part Code	Part Name and Number	Ref. No.	Part Code	Part Name and Number
R34	RK0107	Chip R, MCR10EZHZJ000E (E only)	D18	XL0026	Chip LED, AA1101W-72-TR	C40	CU8028	Chip C, C2012B1H103K
R36	RA0006	R. Ally, EXB-M16D6ALG (T only)	D19	XL0026	Chip LED, AA1101W-72-TR	C42	CU8034	Chip C, C2012X7R1E333K
R36	RD0115	JPW01FC0 30Q (E only)	D20	XL0026	Chip LED, AA1101W-72-TR	C43	CU8034	Chip C, C2012X7R1E333K
R37	RA0005	R. Ally, MNR14AJ473E	D21	XL0026	Chip LED, AA1101W-72-TR	C44	CU8038	Chip C, CM316Y5V105Z25VAT
R38	RK0050	Chip R, MCR10EZHZJ822E	D22	XL0026	Chip LED, AA1101W-72-TR	C45	CU8038	Chip C, CM316Y5V105Z25VAT
R39	RK0025	Chip R, MCR10EZHZJ331E	D23	XL0026	Chip LED, AA1101W-72-TR	C46	CS0221	Chip Tantal, TMC1C475MTR
R41	RA0005	R. Ally, MNR14AJ473E	D24	XL0026	Chip LED, AA1101W-72-TR	C47	CU8028	Chip C, C2012B1H103K
R42	RK0033	Chip R, MCR10EZHZJ821E	D25	XL0026	Chip LED, AA1101W-72-TR	C48	CS0051	Chip Tantal, TMC1C106
R43	RK0033	Chip R, MCR10EZHZJ821E	D26	XL0026	Chip LED, AA1101W-72-TR	C49	CU8038	Chip C, CM316Y5V105Z25VAT
R44	RK0039	Chip R, MCR10EZHZJ222E	IC1	XA0180	IC, μ PD75116GFF19-3BE	C50	CE0315	Chemical C, 16CV47B
R45	RK0039	Chip R, MCR10EZHZJ222E	IC2	XA0105	IC, MC145436DWR	C51	CU8028	Chip C, C2012B1H103K
R46	RK0039	Chip R, MCR10EZHZJ222E	IC3	XA0117	IC, S-2510A	C52	CU8038	Chip C, CM316Y5V105Z25VAT
R47	RK0039	Chip R, MCR10EZHZJ222E	IC4	XA0118	IC, S-8054ALR-LN	C53	CU8003	Chip C, C2012JF1E104Z
R48	RK0001	Chip R, MCR10EZHZJ100E	IC5	XA0075	IC, NJM78L08UA	C54	CS0051	Chip Tantal, TMC1C106
R49	RK0069	Chip R, MCR10EZHZJ104E	IC6	XA0068	IC, M5218FP-T01-1	C55	CU8028	Chip C, C2012B1H103K
R50	RK0056	Chip R, MCR10EZHZJ223E	IC7	XA0089	IC, NJM78L06UA	C56	CU8028	Chip C, C2012B1H103K
R51	RK0001	Chip R, MCR10EZHZJ100E	IC8	XA0087	IC, TC4S01F	C57	CU8028	Chip C, C2012B1H103K
R52	RK0036	Chip R, MCR10EZHZJ122E	Q1	XT0037	Transistor, 2SC2412KR	C58	CU8028	Chip C, C2012B1H103K
R53	RK0035	Chip R, MCR10EZHZJ102E	Q2	XU0028	Digital Transistor, FMC2	C59	CU8028	Chip C, C2012B1H103K
R54	RK0079	Chip R, MCR10EZHZJ474E	Q3	XU0012	Digital Transistor, DTC114EK	C60	CU8028	Chip C, C2012B1H103K
R55	RK0072	Chip R, MCR10EZHZJ184E	Q4	XU0012	Digital Transistor, DTC114EK	C61	CU8028	Chip C, C2012B1H103K
R56	RK0073	Chip R, MCR10EZHZJ224E	Q5	XT0037	Transistor, 2SC2412KR	C62	CS0057	Chip Tantal, TMC0J225M
R57	RK0059	Chip R, MCR10EZHZJ333E	Q6	XT0018	Transistor, 2SB744Q	C63	CS0057	Chip Tantal, TMC0J225M
R59	RK0064	Chip R, MCR10EZHZJ563 (T only)	Q7	XU0014	Digital Transistor, DTC144EK	C64	CU3023	Chip C, CM105CH101K
R60	RK0062	Chip R, MCR10EZHZJ473E (E only)	Q8	XU0014	Digital Transistor, DTC144EK	C65	CU3023	Chip C, CM105CH101K
R61	RK0045	Chip R, MCR10EZHZJ472E	Q9	XU0014	Digital Transistor, DTC144EK	C66	CU3023	Chip C, CM105CH101K
R62	RK0069	Chip R, MCR10EZHZJ104E	Q10	XT0037	Transistor, 2SC2412KR	C67	CU3023	Chip C, CM105CH101K
R63	RK0035	Chip R, MCR10EZHZJ102E	W12	MRCLO2AA	Wire #30R02-020-02	C68	CU3023	Chip C, CM105CH101K
R64	RK0107	Chip R, MCR10EZHZJ000E	W10	MACLO2AA	Wire #30A02-020-02	C69	CU3023	Chip C, CM105CH101K
VR1	RH0038	VR, CVR-42A-473AD	W16	MGCL02AA	Wire #30G02-020-02	C71	CU8038	CM316Y105Z25AT(E only)
VR2	RH0038	VR, CVR-42A-473AD	W17	MGCL02AA	Wire #30G02-020-02	CN21	UE0120	Connector, P-DR590
L1	QC0104	Chip L, LER015T1R5M	X1	XQ0021	DSMAT3, 58MHz	CN22	UE0100	Connector, 52030-1610
L2	QC0104	Chip L, LER015T1R5M	SUB CONTROL Unit			CN23	UE0110	Connector, 52030-1210
CN12	UE0115	Connector, 50020-8106	C1	CU8016	Chip C, C2012B1H102K	CN24	UE0109	Connector, 52030-1810
CN15	UE0121	Connector, R-DR590	C2	CE0124	Chemical C, 16MV47SWB	CN25	UE0109	Connector, 52030-1810
CN16	UE0035	Mic Connector, FM214-8SMPY	C3	CU8016	Chip C, C2012B1H102K	R1	RA0003	R. Ally, MNR14E0AJ102E
SW1	UU0011	Tact Switch, SKHMPU	C4	CE0313	Chemical C, 16CV22B	R2	RA0003	R. Ally, MNR14E0AJ102E
SW2	UU0011	Tact Switch, SKHMPU	C5	CS0210	Chip Tantal, TMCMB0J156MTR	R3	RA0003	R. Ally, MNR14E0AJ102E
SW3	UU0011	Tact Switch, SKHMPU	C6	CE0310	Chemical C, 10CV33B	R4	RA0003	R. Ally, MNR14E0AJ102E
SW4	UU0011	Tact Switch, SKHMPU	C7	CU8016	Chip C, C2012B1H102K	R5	RA0003	R. Ally, MNR14E0AJ102E
SW5	UU0011	Tact Switch, SKHMPU	C8	CU0060	Chip C, C2012CH1H470J	R6	RA0003	R. Ally, MNR14E0AJ102E
SW6	UU0011	Tact Switch, SKHMPU	C9	CU0060	Chip C, C2012CH1H470J	R7	RK0035	Chip R, MCR10EZHZJ102E
SW7	UU0011	Tact Switch, SKHMPU	C10	CU0060	Chip C, C2012CH1H470J	R8	RK0035	Chip R, MCR10EZHZJ102E
SW8	UU0011	Tact Switch, SKHMPU	C11	CU0060	Chip C, C2012CH1H470J	R9	RK0035	Chip R, MCR10EZHZJ102E
SW9	UU0011	Tact Switch, SKHMPU	C12	CU0051	Chip C, C2012CH1H471K	R10	RK0035	Chip R, MCR10EZHZJ102E
SW10	UU0011	Tact Switch, SKHMPU	C13	CS0051	Chip Tantal, TMC1C106	R11	RK0035	Chip R, MCR10EZHZJ102E
SW11	UU0011	Tact Switch, SKHMPU	C14	CU8003	Chip C, C2012JF1E104Z	R12	RA0004	R. Ally, MNR14AJ473E
SW12	UU0011	Tact Switch, SKHMPU	C15	CU8038	Chip C, CM316Y5V105Z25VAT	R13	RK0052	Chip R, MCR10EZHZJ103E
SW13	UU0011	Tact Switch, SKHMPU	C16	CE0310	Chemical C, 10CV33B	R14	RK0056	Chip R, MCR10EZHZJ223E
SW14	UQ0013	Switch, EVQ-QEC-04K	C17	CU8016	Chip C, C2012B1H102K	R15	RK0061	Chip R, MCR10EZHZJ393E
SW15	UQ0013	Switch, EVQ-QEC-04K	C18	CU0055	Chip C, C2012CH1H681K	R16	RK0067	Chip R, MCR10EZHZJ823E
SW16	UU0011	Tact Switch, SKHMPU	C19	CU8022	Chip C, C2012B1H332K	R17	RK0052	Chip R, MCR10EZHZJ103E
SW17	UU0011	Tact Switch, SKHMPU	C20	CU0070	Chip C, C2012CH1H820J	R18	RK0056	Chip R, MCR10EZHZJ223E
SW18	UQ0011	Switch, ESB-84801	C21	CU8016	Chip C, C2012B1H102K	R19	RK0061	Chip R, MCR10EZHZJ393E
SW19	URO002	Switch, EVQWQGF1542B	C22	CS0221	Chip Tantal, TMC1C475MTR	R20	RK0067	Chip R, MCR10EZHZJ823E
	ED0006	Lithium Battery, BR2032-1F2	C23	CU8020	Chip C, C2012B1H222K	R21	RK0062	Chip R, MCR10EZHZJ473E
	TZ0024	Insulating Paper	C24	CU8028	Chip C, C2012B1H103K	R22	RK0062	Chip R, MCR10EZHZJ473E
LCD	EL0017	LCD Unit, DR599T	C25	CU8028	Chip C, C2012B1H103K	R23	RA0004	R. Ally, MNR14J392E
D1	XD0040	Diode, DAN202K	C26	CU8016	Chip C, C2012B1H102K	R24	RA0002	R. Ally, MNR12J473E
D2	XD0041	Diode, 1SS226	C27	CU8016	Chip C, C2012B1H102K	R25	RA0005	R. Ally, MNR14J473E
D4	XD0040	Diode, DAN202K	C29	CS0051	Chip Tantal, TMC1C106	R26	RK0038	Chip R, MCR10EZHZJ182E
D5	XD0040	Diode, DAN202K	C30	CU8003	Chip C, C2012JF1E104Z	R27	RK0038	Chip R, MCR10EZHZJ182E
D6	XD0040	Diode, DAN202K	C31	CE0124	Chemical C, 16MV47SWB	R28	RK0035	Chip R, MCR10EZHZJ102E
D11	XL0026	Chip LED, AA1101W-72-TR	C32	CU8028	Chip C, C2012B1H103K	R30	RK0035	Chip R, MCR10EZHZJ102E
D12	XL0026	Chip LED, AA1101W-72-TR	C33	CU8034	Chip C, C2012X7R1E333K	R31	RK0035	Chip R, MCR10EZHZJ102E
D13	XL0026	Chip LED, AA1101W-72-TR	C34	CU8028	Chip C, C2012B1H103K	R32	RK0045	Chip R, MCR10EZHZJ472E
D14	XL0026	Chip LED, AA1101W-72-TR	C35	CU8016	Chip C, C2012B1H102K	R33	RK0062	Chip R, MCR10EZHZJ473E
D15	XL0026	Chip LED, AA1101W-72-TR	C36	CU8034	Chip C, C2012X7R1E333K	R34	RK0107	Chip R, MCR10EZHZJ000E
D16	XL0026	Chip LED, AA1101W-72-TR	C37	CU8028	Chip C, C2012B1H103K	R35	RK0018	Chip R, MCR10EZHZJ101E
D17	XL0026	Chip LED, AA1101W-72-TR	C39	CU8028	Chip C, C2012B1H103K	R36	RK0052	Chip R, MCR10EZHZJ103E
						R37	RK0056	Chip R, MCR10EZHZJ223E
						R38	RK0061	Chip R, MCR10EZHZJ393E
						R39	RK0067	Chip R, MCR10EZHZJ823E
						R40	RK0044	Chip R, MCR10EZHZJ392E
						R41	RK0044	Chip R, MCR10EZHZJ392E
						R42	RK0044	Chip R, MCR10EZHZJ392E
						R43	RK0044	Chip R, MCR10EZHZJ392E
						R44	RK0045	Chip R, MCR10EZHZJ472E
						R45	RK0045	Chip R, MCR10EZHZJ472E
						R46	RK0052	Chip R, MCR10EZHZJ103E

Ref. No.	Part Code	Part Name and Number	Ref. No.	Part Code	Part Name and Number	Ref. No.	Part Code	Part Name and Number
R47	RK0056	Chip R, MCR10EZHJ223E	IC5	XA0068	IC, M5218FP-T01-1	R23	RK0018	Chip R, MCR10EZHJ101E
R48	RK0061	Chip R, MCR10EZHJ393E	IC6	XA0120	IC, M51132L	R24	RK0018	Chip R, MCR10EZHJ101E
R49	RK0067	Chip R, MCR10EZHJ823E	IC7	XA0087	IC, TC4S01F	R25	RK0018	Chip R, MCR10EZHJ101E
R51	RK0044	Chip R, MCR10EZHJ392E	IC8	XA0087	IC, TC4S01F	R26	RK0045	Chip R, MCR10EZHJ472E
R52	RK0044	Chip R, MCR10EZHJ392E	IC9	XA0115	IC, TC4S66F	R27	RK0028	Chip R, MCR10EZHJ471E
R53	RK0044	Chip R, MCR10EZHJ392E	IC10	XA0115	IC, TC4S66F	R28	RK0039	Chip R, MCR10EZHJ222E
R54	RK0044	Chip R, MCR10EZHJ392E				R29	RK0021	Chip R, MCR10EZHJ181E
R55	RK0038	Chip R, MCR10EZHJ182E				R32	RK0039	Chip R, MCR10EZHJ222E
R56	RK0052	Chip R, MCR10EZHJ103E	Q1	XT0037	Transistor, 2SC2412KR	UHF VCO Unit		
R57	RK0045	Chip R, MCR10EZHJ472E	Q2	XT0037	Transistor, 2SC2412KR	C10	CU8016	Chip C, C2012B1H102K
R58	RK0062	Chip R, MCR10EZHJ473E	Q3	XT0037	Transistor, 2SC2412KR	C11	CU0003	Chip C, C2012CH1H020C
R60	RK0062	Chip R, MCR10EZHJ473E	Q4	XU0015	Digital Transistor, DTC144TK	C12	CU0064	Chip C, C2012CH1H220J
R61	RK0045	Chip R, MCR10EZHJ472E	Q5	XU0015	Digital Transistor, DTC144TK	C13	CU8016	Chip C, C2012B1H102K
R63	RK0005	Chip R, MCR10EZHJ220E	Q6	XU0014	Digital Transistor, DTC144EK	C14	CU0010	Chip C, C2012CH1H090D
R64	RK0052	Chip R, MCR10EZHJ103E (E only)	Q7	XU0012	Digital Transistor, DTC114EK	C15	CU8016	Chip C, C2012B1H102K
R65	RK0062	Chip R, MCR10EZHJ473E	Q8	XT0091	Transistor, 2SB1412QF5T200	C16	CS0063	Chip Tantal, TMC1V104
R66	RK0078	Chip R, MCR10EZHJ394	Q9	XU0019	Digital Transistor, DTA114YK	C17	CU0060	Chip C, C2012CH1H470J
R67	RK0076	Chip R, MCR10EZHJ334E	Q10	XU0014	Digital Transistor, DTC144EKT146	C18	CU0005	Chip C, C2012CH1H040C
R68	RK0072	Chip R, MCR10EZHJ184E	VOL Unit			C19	CU0061	Chip C, C2012CH1H120J
R69	RK0073	Chip R, MCR10EZHJ224E	VR1	RV0016	VR, RK0972210L2550KB×2	C20	CU0001	Chip C, C2012CH1H0R5C
R70	RK0047	Chip R, MCR10EZHJ562E	VR2	RV0016	VR, RK0972210L2550KB×2	C21	CU0009	Chip C, C2012CH1H080D
R71	RK0047	Chip R, MCR10EZHJ562E	VHF VCO Unit			C22	CU0006	Chip C, C2012CH1H050C
R72	RK0067	Chip R, MCR10EZHJ823E	C10	CU8016	Chip C, C2012B1H102K	C23	CU0006	Chip C, C2012CH1H050C
R73	RK0070	Chip R, MCR10EZHJ124E	C11	CU8028	Chip C, C2012B1H103K	C28	CE0033	Chip C, C201210MV10UMA
R74	RK0070	Chip R, MCR10EZHJ124E	C12	CU0059	Chip C, C2012CH1H1R5C	CM56	UE0097	Pin Header, SB3P-HVQ-CA
R75	RK0069	Chip R, MCR10EZHJ104E	C13	CU0051	Chip C, C2012CH1H471K	CM5C	UE0076	Pin Header, SB4P-HVQ-CA
R76	RK0056	Chip R, MCR10EZHJ223E	C14	CU8028	Chip C, C2012B1H103K	Q5	XE0002	FET, 2SK125
R77	RK0001	Chip R, MCR10EZHJ100E	C15	CU0059	Chip C, C2012CH1H1R5C	Q6	XT0030	Transistor, 2SC3356BR25
R78	RK0039	Chip R, MCR10EZHJ222E	C16	CU0064	Chip C, C2012CH1H220J	D4	XD0100	Varicap, 1SV164
R79	RK0081	Chip R, MCR10EZHJ564E	C17	CU8016	Chip C, C2012B1H102K	D5	XD0077	Varicap, 1SV161
R80	RK0035	Chip R, MCR10EZHJ102E	C18	CU8016	Chip C, C2012B1H102K	D6	XD0077	Varicap, 1SV161
R81	RK0045	Chip R, MCR10EZHJ472E	C19	CS0063	Chip Tantal, TMC1V104	L3	QC0101	Chip L, LER015TR82M
R82	RK0062	Chip R, MCR10EZHJ473E	C20	CU8028	Chip C, C2012B1H103K	L4	QK0086	Coil, 0R5-2R2-3R5TRS
R83	RK0052	Chip R, MCR10EZHJ103E	C21	CU8028	Chip C, C2012B1H103K	L5	QC0099	Chip L, LER015TR56M
R84	RK0045	Chip R, MCR10EZHJ472E	C22	CU0059	Chip C, C2012CH1H1R5C	L6	QC0062	Chip L, NL32522T-039M
R85	RK0039	Chip R, MCR10EZHJ222E	C23	CU0064	Chip C, C2012CH1H220J	L7	QC0096	Chip L, LER015TR33M
R86	RK0045	Chip R, MCR10EZHJ472E	C24	CU8028	Chip C, C2012B1H103K	L8	QC0101	Chip L, LER015TR82M
R87	RK0001	Chip R, MCR10EZHJ100E	C25	CU8028	Chip C, C2012B1H103K	R16	RK0056	Chip R, MCR10EZHJ223
R88	RK0035	Chip R, MCR10EZHJ102E	C26	CU0071	Chip C, C2012CH1H101J	R17	RK0065	Chip R, MCR10EZHJ683E
R89	RK0081	Chip R, MCR10EZHJ564E	C27	CU0066	Chip C, C2012CH1H330J	R18	RK0018	Chip R, MCR10EZHJ101E
R90	RK0018	Chip R, MCR10EZHJ101E	C30	CE0033	Chemical C, 10MV10UMA	R19	RK0028	Chip R, MCR10EZHJ471
R91	RK0039	Chip R, MCR10EZHJ222E	C31	CE0033	Chemical C, 10MV10UMA	R20	RK0052	Chip R, MCR10EZHJ103E
R92	RK0045	Chip R, MCR10EZHJ472E	CM3D	UE0076	Pin Header, SB4P-HVQ-CA	R21	RK0018	Chip R, MCR10EZHJ101E
R93	RK0062	Chip R, MCR10EZHJ473E	CM36	UE0097	Pin Header, SB3P-HVQ-CA	R22	RK0044	Chip R, MCR10EZHJ392E
R94	RK0045	Chip R, MCR10EZHJ472E	Q5	XU0012	Digital Transistor, DTC114EK	R23	RK0103	Chip R, MCR10EZHJ560E
R95	RK0001	Chip R, MCR10EZHJ100E	Q6	XE0010	FET, 2SK508K52T1	R26	RK0107	Chip R, MCR10EZHJ000E
R96	RK0035	Chip R, MCR10EZHJ102E	Q7	XT0081	Transistor, 2SC2714Y	R29	RK0018	Chip R, MCR10EZHJ101E
R97	RK0081	Chip R, MCR10EZHJ564E	Q8	XE0010	FET, 2SK508K52T1	VHF PLL Unit		
R99	RK0070	Chip R, MCR10EZHJ124E	Q9	XT0081	Transistor, 2SC2714Y	C1	CS0221	Chip Tantal, TMC-MIC475
R100	RK0070	Chip R, MCR10EZHJ124E	Q10	XU0012	Digital Transistor, DTC114EK	C2	CS0063	Chip Tantal, TMC1V104
R102	RK0052	Chip R, MCR10EZHJ103E	D4	XD0077	Varicap, 1SV161	C3	CU0071	Chip C, C2012CH1H101J
R103	RK0052	Chip R, MCR10EZHJ103E	D6	XD0077	Varicap, 1SV161	C4	CU8016	Chip C, C2012B1H102K
R104	RK0045	Chip R, MCR10EZHJ472E	L3	QA0067	Coil, 100MOSC-2	C5	CS0061	Chip Tantal, TMC1V224
R105	RK0045	Chip R, MCR10EZHJ472E	L4	QC0110	Chip L, LER015T4R7K	C6	CS0057	Chip Tantal, TMC0J225
R106	RK0018	Chip R, MCR10EZHJ101E	L6	QC0104	Chip L, LER015T1R5M	C8	CU0011	Chip C, C2012CH1H100D
R107	RK0027	Chip R, MCR10EZHJ391E	L7	QC0104	Chip L, LER015T1R5M	C9	CU8016	Chip C, C2012B1H102K
R108	RK0027	Chip R, MCR10EZHJ391E	L9	QC0110	Chip L, LER015T4R7K	C28	CU0071	Chip C, C2012CH1H101J
R111	RK0052	Chip R, MCR10EZHJ103E	L10	QA0067	Coil, 100MOSC-2	C29	CU0071	Chip C, C2012CH1H101J
R112	RK0052	Chip R, MCR10EZHJ103E	R16	RK0048	Chip R, MCR10EZHJ682E	R1	RK0052	Chip R, MCR10EZHJ103E
R113	RK0052	Chip R, MCR10EZHJ103E	R17	RK0018	Chip R, MCR10EZHJ101E	R2	RK0052	Chip R, MCR10EZHJ103E
R114	RK0052	Chip R, MCR10EZHJ103E	R18	RK0021	Chip R, MCR10EZHJ181E	R3	RK0052	Chip R, MCR10EZHJ103E
R115	RK0045	Chip R, MCR10EZHJ472E	R19	RK0028	Chip R, MCR10EZHJ471E	R4	RK0052	Chip R, MCR10EZHJ103E
R116	RK0069	Chip R, MCR10EZHJ104E	R20	RK0045	Chip R, MCR10EZHJ472E	R5	RK0018	Chip R, MCR10EZHJ101E
R117	RK0052	Chip R, MCR10EZHJ103E	R21	RK0028	Chip R, MCR10EZHJ471E	R6	RK0018	Chip R, MCR10EZHJ101E
R118	RK0107	Chip R, MCR10EZHJ000E	R22	RK0039	Chip R, MCR10EZHJ222E	R7	RK0035	Chip R, MCR10EZHJ102E
R119	RK0001	Chip R, MCR10EZHJ100E				R8	RK0107	MCR10EZHJ000
R120	RK0069	Chip R, MCR10EZHJ104E				R9	RK0045	Chip R, MCR10EZHJ472
R121	RK0069	Chip R, MCR10EZHJ104E				R10	RK0018	Chip R, MCR10EZHJ101E
R122	RK0073	Chip R, MCR10EZHJ224E (E only)				R11	RK0107	Chip R, MCR10EZHJ000E
R123	RK0107	Chip R, MCR10EZHJ000E				R12	RK0056	Chip R, MCR10EZHJ223E
R125	RK0055	Chip R, MCR10EZHJ183				R13	RK0052	Chip R, MCR10EZHJ103E
X1	XB0004	FAR, C4CA04194000K01						
L1	QC0104	Chip L, LER105T1R5M						
L2	QC0104	Chip L, LER105T1R5M						
IC1	XA0183	IC, uPD75108GRF78-3BE						
IC2	XA0118	IC, S-8054ALR-LN						
IC3	XA0098	IC, NJM78L05UA						
IC4	XA0082	IC, MC7808CT						

Ref. No.	Part Code	Part Name and Number	Ref. No.	Part Code	Part Name and Number	Ref. No.	Part Code	Part Name and Number
R14	RK0056	Chip R, MCR10EZHZ223E	C14	CU0011	Chip C, C2012CH1H100D			
R15	RK0022	Chip R, MCR10EZHZ221E	R 1	RK0039	Chip R, MCR10EZHZ222			
R30	RK0035	Chip R, MCR10EZHZ102E	R 2	RK0039	Chip R, MCR10EZHZ222			
R31	RK0107	Chip R, MCR10EZHZJ000E	R 3	RK0048	Chip R, MCR10EZHZJ682			
CN37	UE0117	Pin Header, SB7P-HVQ-27	R 4	RK0040	Chip R, MCR10EZHZ272			
IC1	XA0149	IC, MB15101LPF	R 5	RK0106	Chip R, MCR10EZHZJ3R3			
Q1	XT0038	Transistor, 2SA1037KR	R 6	RK0022	Chip R, MCR10EZHZJ221			
Q2	XT0077	Transistor, 2SC3326A	R 7	RK0037	Chip R, MCR10EZHZJ152			
Q3	XU0017	Digital Transistor, DTA144EK	R 8	RK0039	Chip R, MCR10EZHZ222			
Q4	XT0081	Transistor, 2SC2714Y	R 9	RK0018	Chip R, MCR10EZHZJ101			
D1	XD0104	Diode, 02CZ6. 2Y	L 1	QC0057	Chip L, NL322522T-015M			
L2	QC0108	Chip L, LER015T3R3K	L 2	QC0067	Chip L, NL322522T-R10M			
UHF PLL Unit			L 3	QC0067	Chip L, NL322522T-R10M			
C1	CU8016	Chip C, C2012B1H102K	L 4	QK0085	Coil, 0R8-3R0-6R5TRM			
C2	CS0057	Chip Tantal, TMC0J225	L 5	QK0085	Coil, 0R8-3R0-6R5TRM			
C3	CS0063	Chip Tantal, TMC1V104	L 6	QC0067	Chip L, NL322522T-R10M			
C4	CS0221	Chip Tantal, TMC-MIC475	D 1	XD0066	Diode, RLS135TE11			
R5	RK0018	Chip R, MCR10EZHZJ101	D 2	XD0066	Diode, RLS135TE11			
R7	RK0107	MCR10EZHZJ000	D 3	XD0112	Diode, 1SV128TE85L			
R8	RK0045	Chip R, MCR10EZHZJ472	Q 1	XT0030	Transistor, 2SC3356T1BR25			
C9	CU8016	Chip C, C2012B1H102K	Q 2	XU0012	Digital Transistor, DTC114EKT14			
C25	CU8016	Chip C, C2012B1H102K	CN3E	UE0118	Terminal, SL2.50-10			
C26	CU0060	Chip C, C2012CH1H470J	880 FRONT Unit					
C27	CU0060	Chip C, C2012CH1H470J	C 1	CU0006	Chip C, C2012CH1H050C			
CN57	UE0117	Pin Header, SB7P-HVQ-27	C 2	CU0006	Chip C, C2012CH1H050C			
IC1	XA0149	IC, MB1501LPGGBNDF	C 3	CU0005	Chip C, C2012CH1H040C			
Q1	XT0038	Transistor, 2SA1037KR	C 4	CU0005	Chip C, C2012CH1H030C			
Q2	XT0077	Transistor, 2SC3326A	C 5	CU0004	Chip C, C2012CH1H030C			
Q3	XT0038	Transistor, 2SA1037KR	C 6	CU0051	Chip C, C2012CH1H471K			
Q4	XT0081	Transistor, 2SC2714YTE85L	C 7	CU0051	Chip C, C2012CH1H471K			
D1	XD0104	Zenner, 02CZ6. 2Y	C 8	CU0003	Chip C, C2012CH1H020C			
L2	QC0062	Chip L, NL322522T-039M	C 9	CU0003	Chip C, C2012CH1H020C			
R1	RK0052	Chip R, MCR10EZHZJ103E	C10	CU0002	Chip C, C2012CH1H010C			
R2	RK0018	Chip R, MCR10EZHZJ101E	C11	CU0003	Chip C, C2012CH1H020C			
R3	RK0052	Chip R, MCR10EZHZJ103E	C12	CU0011	Chip C, C2012CH1H090D			
R4	RK0052	Chip R, MCR10EZHZJ103E	C13	CU0004	Chip C, C2012CH1H030C			
R5	RK0039	Chip R, MCR10EZHZJ222E	C15	CU0051	Chip C, C2012CH1H471K			
R6	RK0035	Chip R, MCR10EZHZJ102E	C16	CU0064	Chip C, C2012CH1H220J			
R7	RK0052	Chip R, MCR10EZHZJ103E	C17	CU8016	Chip C, C2012B1H102K			
R8	RK0039	Chip R, MCR10EZHZJ222E	CN5B	UE0118	Terminal, SL2.50-10			
R9	RK0052	Chip R, MCR10EZHZJ103E	Q 1	XT0030	Transistor, 2SC3356T1BR25			
R10	RK0018	Chip R, MCR10EZHZJ101E	Q 2	XE0013	FET, 3SK184STX			
R11	RK0107	Chip R, MCR10EZHZJ000E	Q 3	XT0030	Transistor, 2SC3356T1BR25			
R12	RK0062	Chip R, MCR10EZHZJ473E	Q 4	XU0012	Digital Transistor, DTC114EKT14			
R13	RK0045	Chip R, MCR10EZHZJ472E	L 6	QC0055	NL322522T-010M			
R14	RK0039	Chip R, MCR10EZHZJ222E	L 7	QC0055	NL322522T-010M			
R15	RK0045	Chip R, MCR10EZHZJ472E	R 1	RK0048	Chip R, MCR10EZHZJ682			
R25	RK0022	Chip R, MCR10EZHZJ221E	R 2	RK0035	Chip R, MCR10EZHZJ102			
R27	RK0018	Chip R, MCR10EZHZJ101E	R 3	RK0018	Chip R, MCR10EZHZJ101			
R28	RK0018	Chip R, MCR10EZHZJ101E	R 4	RK0018	Chip R, MCR10EZHZJ101			
R30	RK0107	Chip R, MCR10EZHZJ000E	R 5	RK0036	Chip R, MCR10EZHZJ122			
VHF AIR Unit			R 6	RK0045	Chip R, MCR10EZHZJ472			
C 1	CU8016	Chip C, C2012B1H102K	R 7	RK0045	Chip R, MCR10EZHZJ472			
C 2	CU0007	Chip C, C2012CH1H060D	R 8	RK0039	Chip R, MCR10EZHZJ222			
C 3	CU0064	Chip C, C2012CH1H220J	R 9	RK0028	Chip R, MCR10EZHZJ471			
C 5	CU8016	Chip C, C2012B1H102K	R10	RD0028	R20 R-02J 471			
C 6	CU0072	Chip C, C2012CH1H240J	R11	RK0107	Chip R, MCR10EZHZJ000			
C 7	CU8016	Chip C, C2012B1H102K						
C 8	CU8016	Chip C, C2012B1H102K						
C 9	CU8016	Chip C, C2012B1H102K						
C10	CU0011	Chip C, C2012CH1H100D						
C11	CU0060	Chip C, C2012CH1H470J						
C12	CU0060	Chip C, C2012CH1H470J						
C13	CU0066	Chip C, C2012CH1H330J						

CABINET PARTS LOCATION

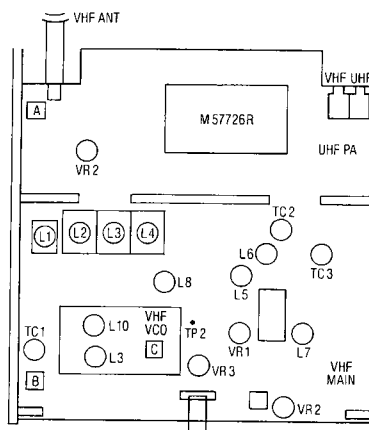
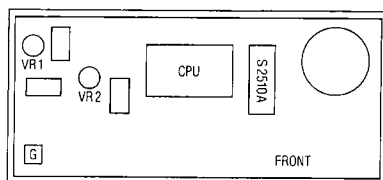
Ref. No.	Part Code	Part Name and Number
Screws		
①	AF0014	M2.6 × 3.5
②	AA0031	M2.6 × 5
③	AJ0017	M2.6 × 6
④		M3 × 8
⑤		M3 × 8
⑥	AP0006	M2.6 × 6
⑦		M2.6 × 16
⑧		M3 × 25
⑨	AN0012	Nut M7
⑩		Nut M8
⑪		(Supplied with Rotary Encoder Only)
⑫	AP0006	Nut M2.6
		M2 × 6
Mechanical Parts		
①	NK0023	Dial Knob (LG)
②	NK0022	Volume Knob (G)
③	ND0006	Squelch Knob (G)
④	ND0009	Dial Rubber (L)
⑤	ND0011	Volume Rubber
⑥	ND0012	Squelch Rubber
⑦	FF0013	SP Sheet
⑧	ST0009	SP Metal Crasp
⑨	FB0002	Cord Bush
⑩	UE0122A	MR M Antenna Cord DR599VHF
⑪	UA0002	DC Power Cable
⑫	UR0002	Rotary Encoder
⑬	SH0044	IC Fixing Metal
⑭	SS0047	Main Chassis
⑮	KM0130	Front Panel (DR599T) ボタン共
⑯	KB0037	Buttom Panel
⑰	NP0062	Power Button
⑱	KM0131	Front Panel (DR599E)
⑲	DG0010	Encoder Light
⑳	TS0035	Shield Lid
㉑	KU0079	Upper Case
㉒	KS0035	Lower Case
㉓	UE0124A	MR M Antenna Cord DR599UHF
㉔	ES0007	Speaker VS-57-0814 1.5W
㉕	DP0059	Transparent Panel
㉖	TZ0034	Insulate Sheet
㉗	TL0004	Shield Film
㉘	ET0001	Fan Moter
㉙	UL0009	Thermal Relay
㉚	ST0024	Fan Cover
㉛	ST0025	Thermal Relayfix
㉜	RV0016	Volume
㉝	TZ0033	Shield
㉞	FM0061	LCD Shield
㉟	FP0044	Code Band
	EL0044	7 LCD unit



ADJUSTMENT

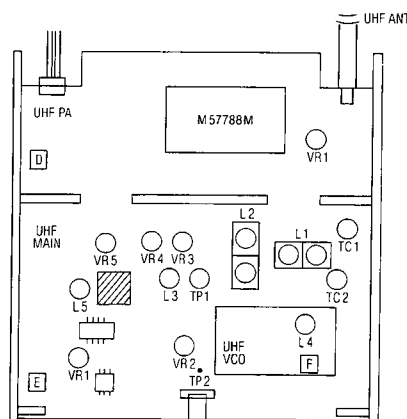
1. VHF Unit

ITEM	ADJUSTMENT POINT (S)	ADJUSTMENT METHOD
VCO VOLTAGE	Ⓒ L3, L10 (VCO BOX)	At 145.00MHz, adjust L3 so that the voltage of TP2 on B substrate is 3.0V. At 145.00MHz, pressing the PTT button, adjust L10 so that the voltage of TP2 on B substrate is 3.4V.
BASIC FREQUENCY	Ⓑ TC1	Pressing PTT button, adjust TC1 so that f-counter indicates 145.950 ± 0.1 kHz (T) or 144.950 ± 0.1kHz (E) MHz.
TX POWER	Ⓑ TC2, 3	On "HI" position, pressing the PTT button, adjust TC2 and TC3 so that the power is maximum at 145.95MHz (T) or 144.95MHz (E).
POWER OUTPUT	Ⓐ VR2 (HI) Ⓔ VR3 (MID) Ⓔ VR4 (LO)	On "HI" position, turn VR2 for 45W output at 145.95MHz (T) or 144.95MHz (E). Verify the lightning of the entire RF meter. On "MID" position, turn VR3 for 10W output at 145.95MHz (T) or 144.95MHz (E). On "LO" position, turn VR4 for 5W output at 145.95MHz (T) or 144.95MHz (E).
DEVIATION	Ⓑ VR3	Enter the AF level of 0dBm, then pressing the PTT button, adjust VR3 so that you obtain 4.8kHz/Dev at 145.95MHz (T) or 144.95MHz (E) and AF 1kHz.
MIC GAIN	Ⓒ VR1	Enter the AF level of -46dBm, then pressing the PTT button, adjust VR1 so that you obtain 4.0kHz/Dev at 444.95MHz (T) or 434.95MHz (E) and AF 1kHz.
SUBAUDIBLE TONE DEVIATION (DR-590T)	Ⓒ VR2	Pressing the tone button at 145.95MHz, verify 0.6-0.8kHz/Dev at tone frequency of 88.5Hz.
1750Hz TONE DEVIATION (DR-590E)	Ⓒ VR2	Pressing the tone button, verify that the tone frequency is 1750Hz and the deviation is 3.5kHz ± 0.2kHz.
DESCRIMINATOR	Ⓑ L5, 6, 7	At 146.03MHz (T) or 145.03MHz (E) and 60 dBμ input, adjust L5, 6, 7 so that the distortion is minimum at 50mW.
SENSITIVITY	Ⓑ L1, 2, L3, 4, 8	Adjust L1, 2, 3, 4, 8 so that 12dB SINAD sensitivity is the highest at 146.03MHz (T) or 145.03MHz (E).
SQUELCH	Ⓑ VR2	At 146.03MHz (T) or 145.03MHz (E) and cut SG output. Adjust squelch knob point by VR2.
S-METER	Ⓑ VR1	At 145.03MHz (T) and 3-dBμ [EMF], adjust VR1 so that 2 in the S-meter begins to light.

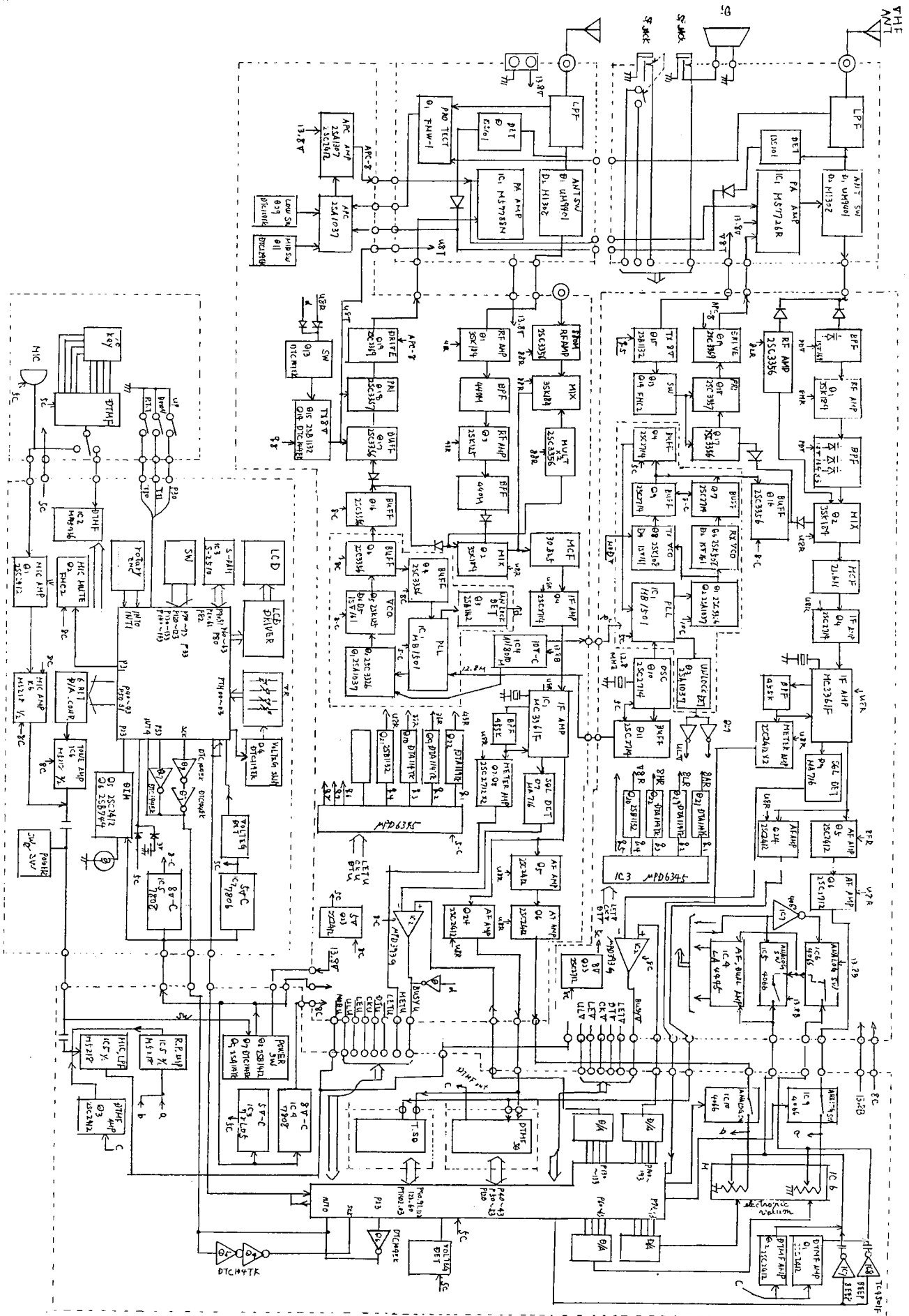


2. UHF Unit

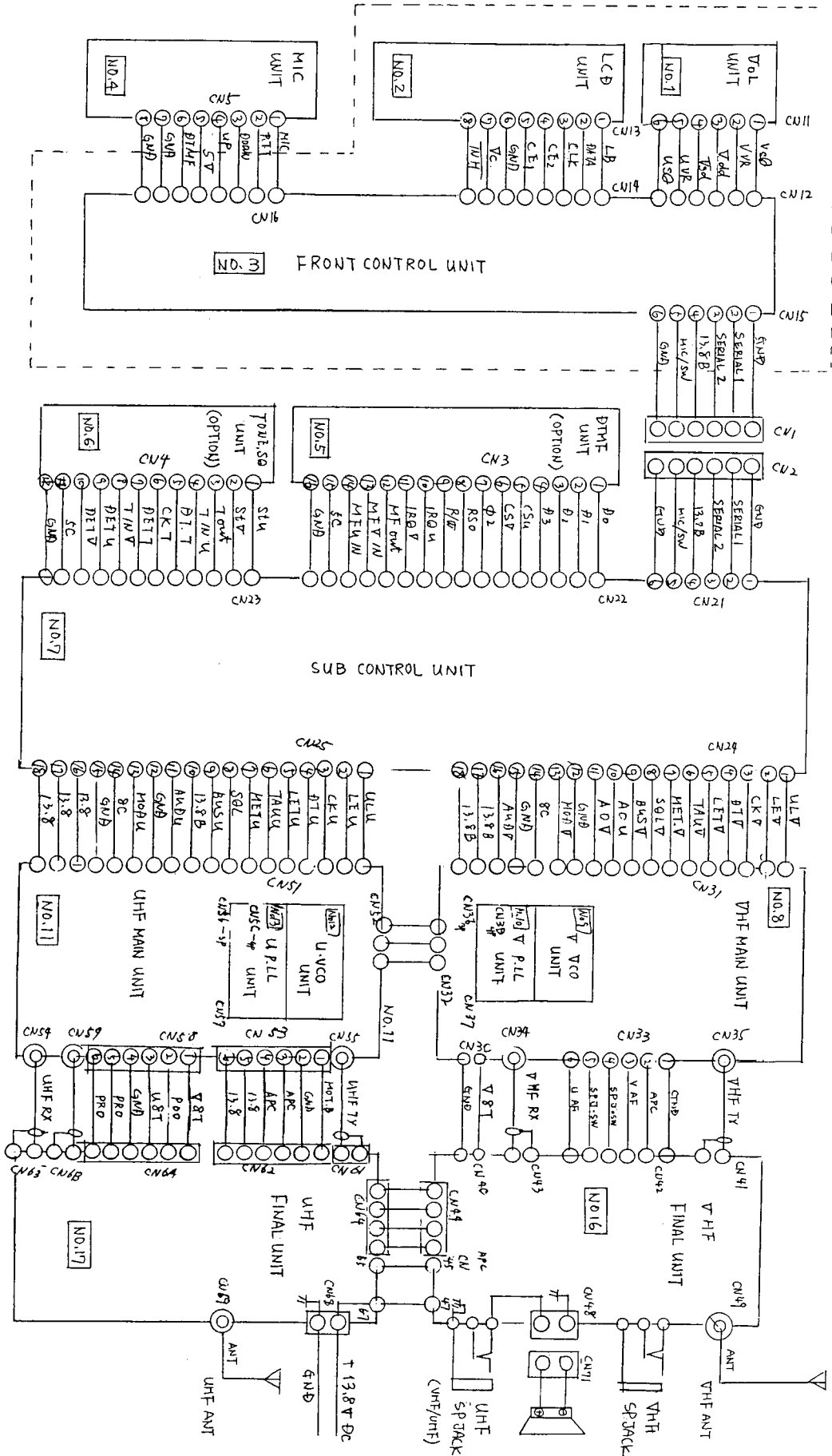
ITEM	ADJUSTMENT POINT (S)	ADJUSTMENT METHOD
VCO VOLTAGE	Ⓕ L4 (VCO BOX)	At 445.00MHz (T) or 435.00MHz (E), adjust L4 so that the voltage of TP2 on E substrate is 4.0V (T) or 3.2V (E).
POWER OUTPUT	Ⓓ VR1 (HI) Ⓔ VR3 (MID) Ⓔ VR4 (LO)	On "HI" position, turn VR1 for 35W output at 444.95MHz (T) at 434.95MHz (E). Verify the lighting of the entire RF meter. On "MID" position, turn VR3 for 8W output at 444.95MHz (T) or 434.95MHz (E). On "LO" position, turn VR4 for 4W output at 444.95MHz (T) or 434.95MHz (E).
DEVIATION	Ⓔ VR2	Enter the AF level of 0dBm, then pressing the PTT button, adjust VR2 so that you obtain 4.8kHz/Dev at 444.95MHz (T) or 434.95MHz (E) and AF 1kHz.
MIC GAIN	Ⓒ VR1	Enter the AF level of -46dBm, then pressing the PTT button, adjust VR1 so that you obtain 4.0kHz/Dev at 444.95MHz (T) or 434.95MHz (E) and AF 1kHz.
SUBAUDIBLE TONE DEVIATION (DR-590T)	Ⓒ VR2	Pressing the tone button at 444.95MHz, verify 0.6-0.8kHz/Dev at tone frequency of 88.5Hz. Adjust VR2.
1750Hz TONE DEVIATION (DR-590E)	Ⓒ VR2	Pressing the tone button, verify that the tone frequency is 1750Hz and the deviation is 3.5kHz \pm 0.2kHz. Adjust VR2.
HELICAL FILTER	Ⓔ TC1, TC2 L1, L2	Connect the output of a tracking generator to the antenna and spectrum analyzer to TP1 the adjust TC1, 2 and L1, 2 so that the sensitivity is at its peak between 440 and 450MHz at maximum gain. (570E : 430-440MHz)
DESCRIMINATOR	Ⓔ L3, L5	At 445.03MHz (T) or 435.03MHz (E) and 60 dB μ input, adjust L3, L5 so that the distortion is minimum at 50mW.
SQUELCH	Ⓔ VR1	At 445.03MHz (T) or 435.03MHz (E) and cut the SG output power. Adjust squelch knob point by VR1.
S-METER	Ⓔ VR5	At 445.03MHz (T) or 435.03MHz (E) and 3-dB μ [EMF], adjust VR5 so that 2 in the S-meter begins to light.



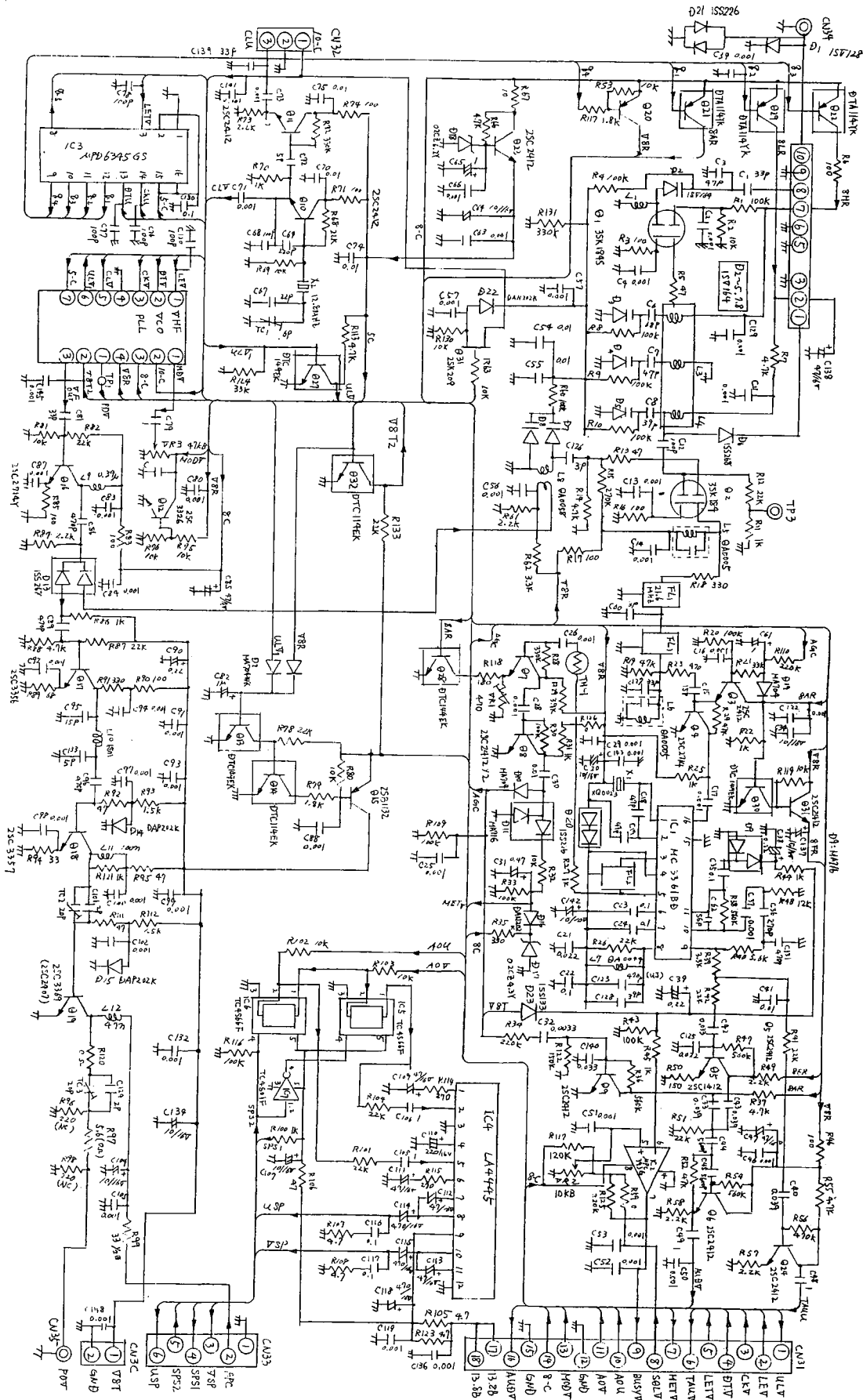
BLOCK DIAGRAM



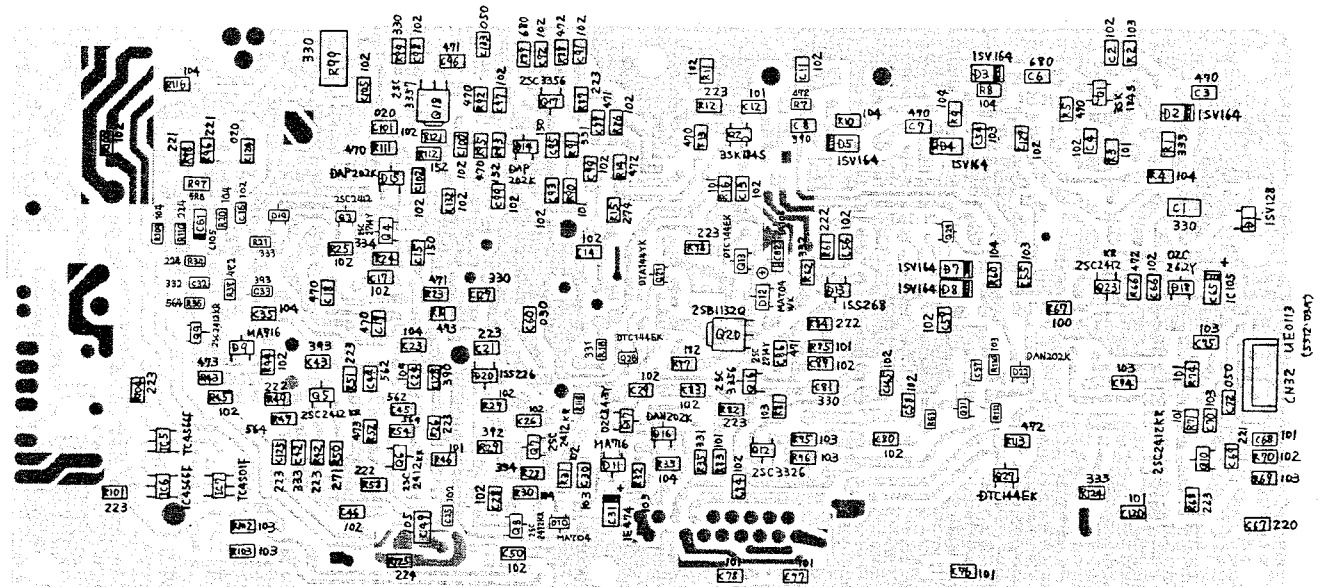
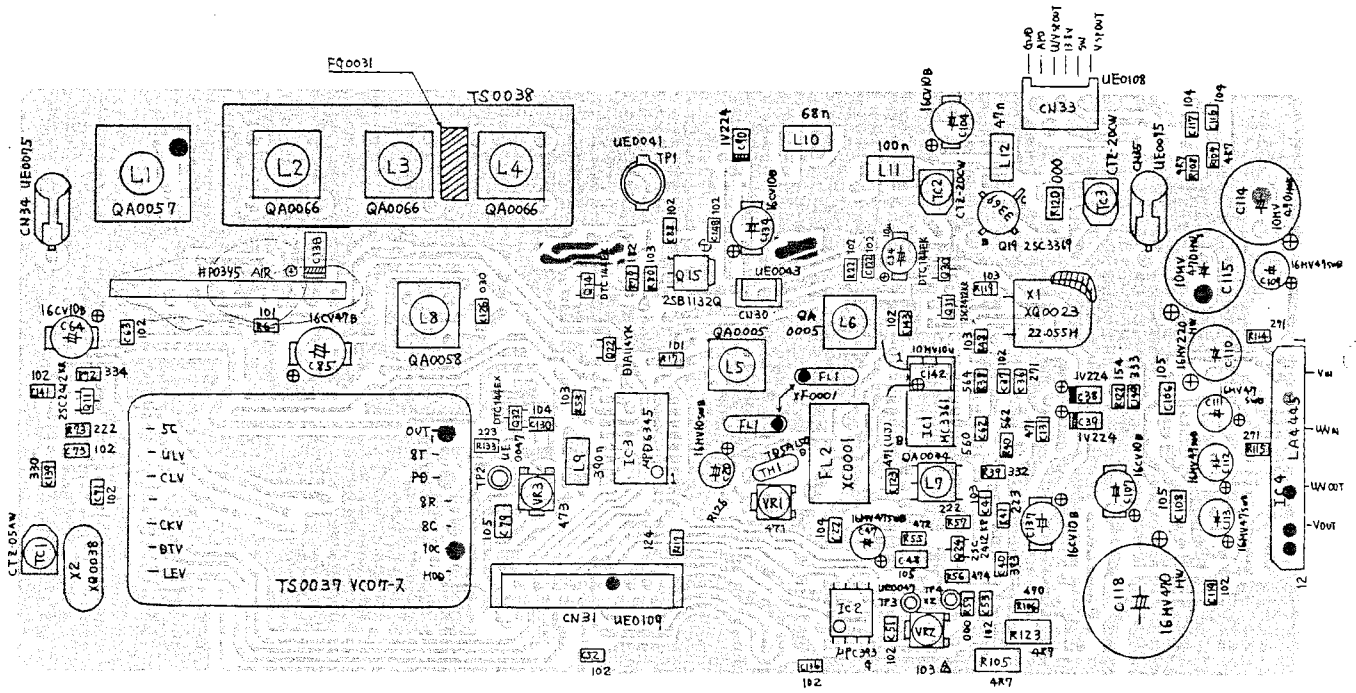
OVERALL WIRING

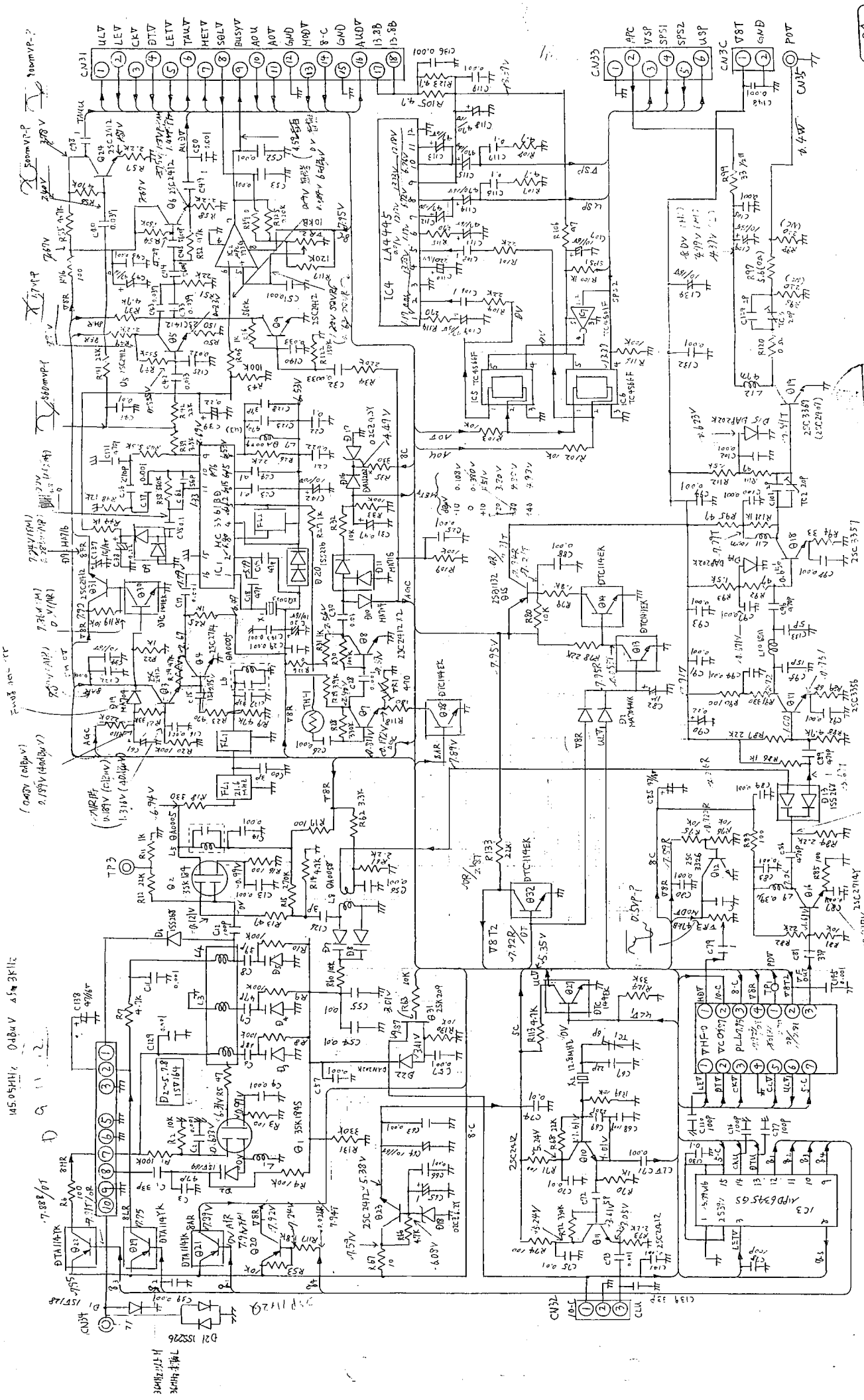


SCHEMATIC DIAGRAM OF VHF MAIN UNIT

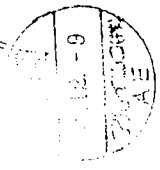


VHF MAIN PC BOARDS

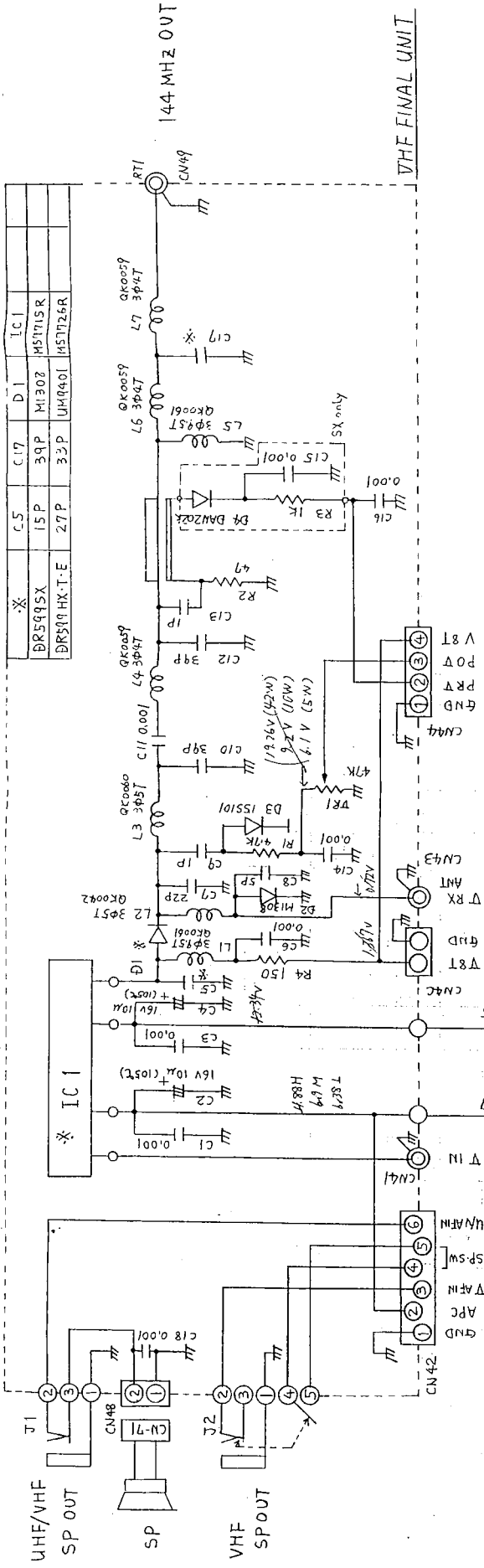




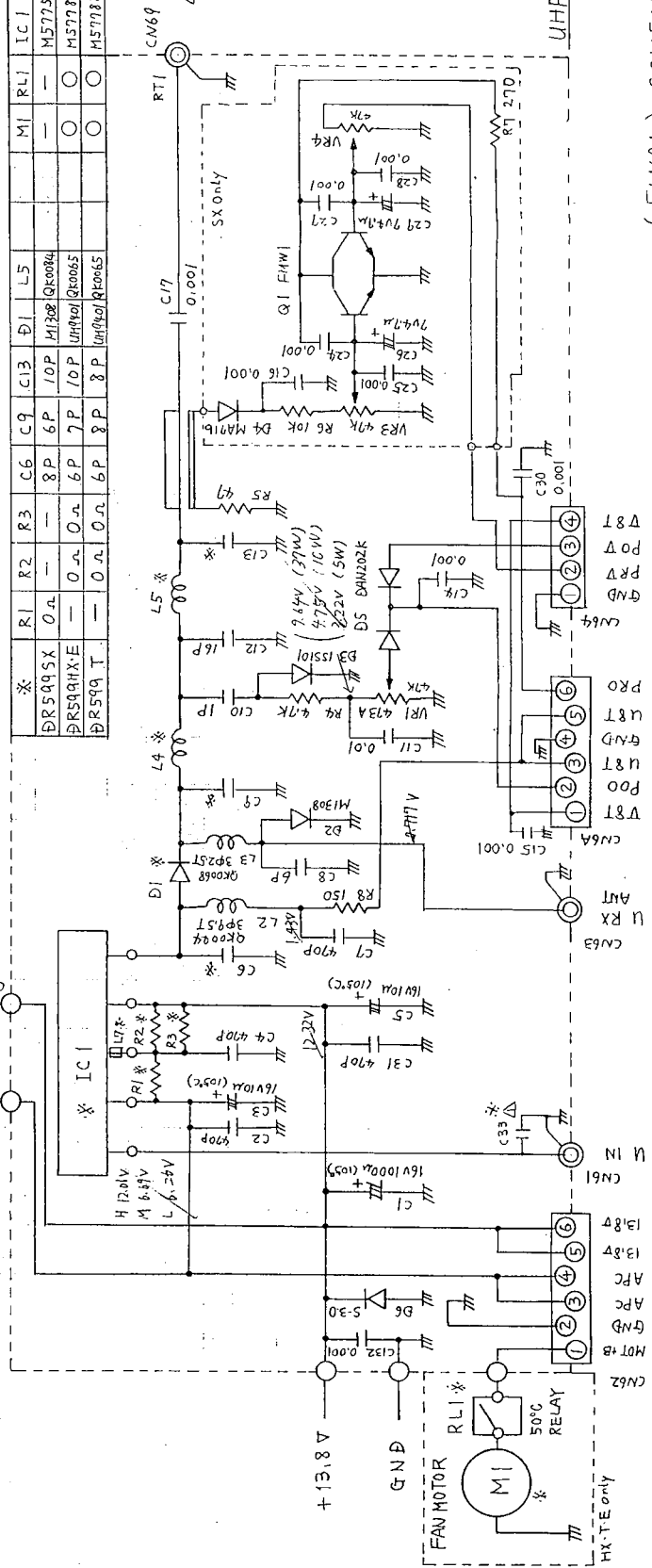
VHF MAIN SCHEMATIC DIAGRAM
DR 599 SX/HX/T/E (CSX)



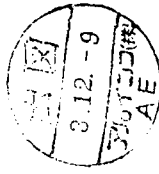
0.15V 25C2412



IC1	L4	L7	C33
M57752	Q1065	—	—
M57788M	Q6065	Q6063	040
M57788H	Q6064	Q6063	040

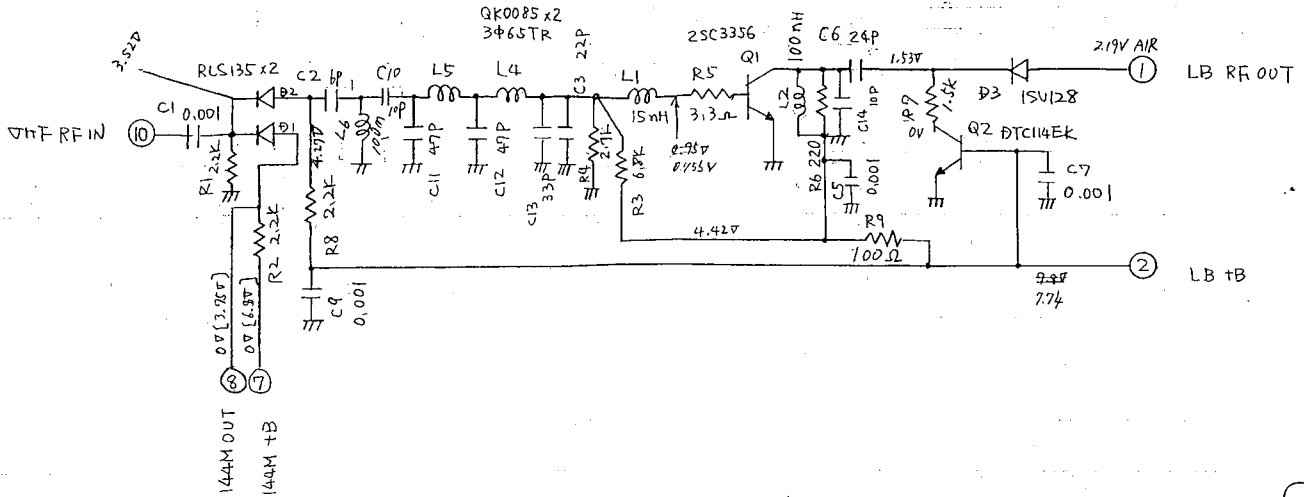


IC1	L4	L7	C33
M57752	Q1065	—	—
M57788M	Q6065	Q6063	040
M57788H	Q6064	Q6063	040



(FINAL) SCHEMATIC DIAGRAM
DR599 SX/HX/T/E

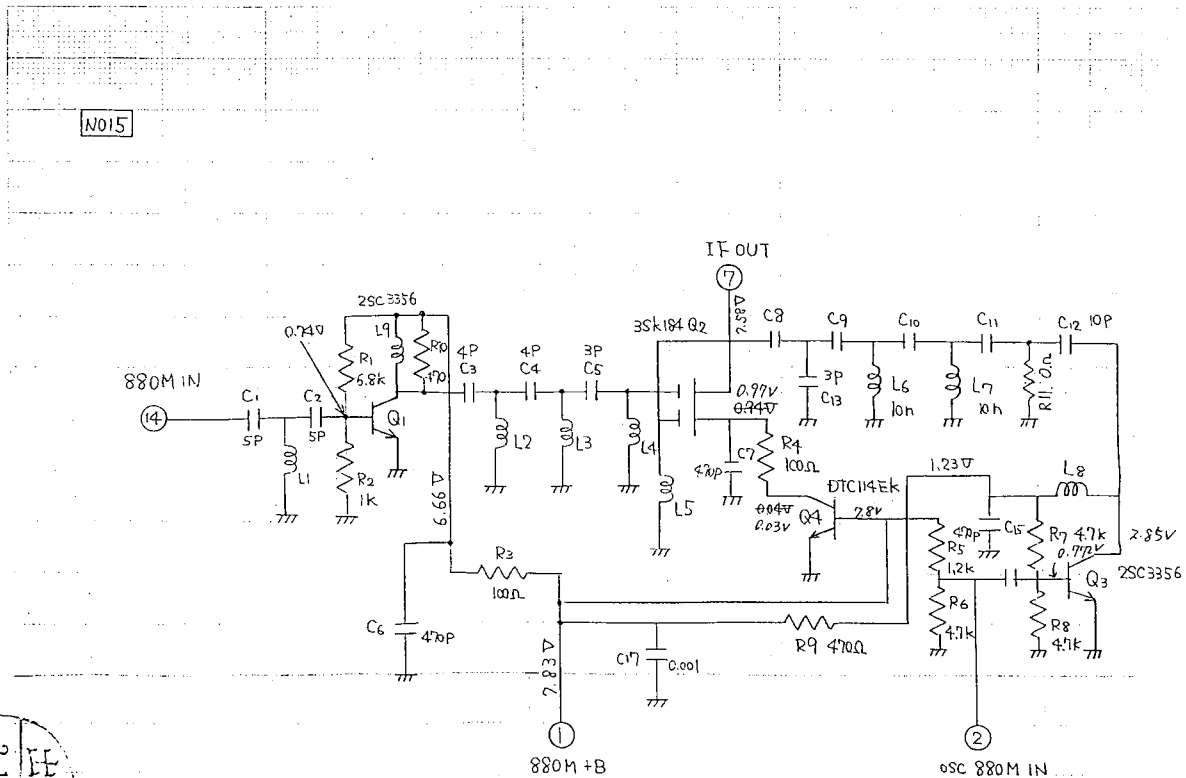
ΔAE1040



128

VHF AIR SCHEMATIC DIAGRAM

DR599 SX-HX-T-E



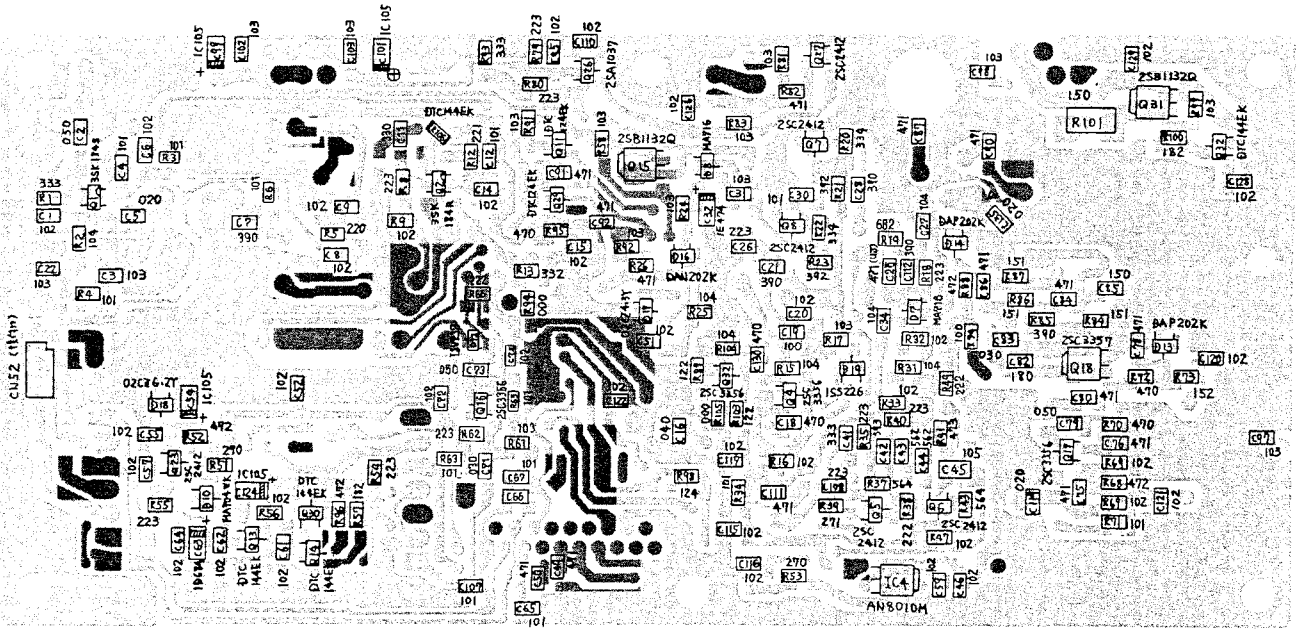
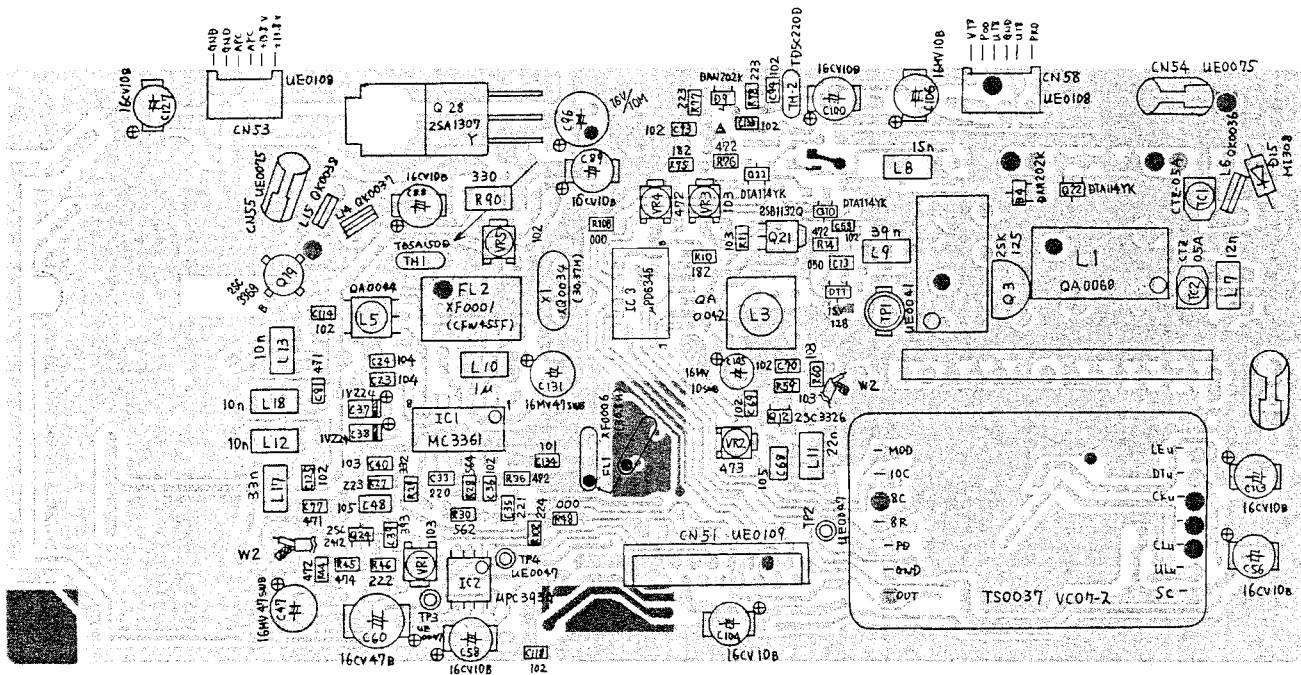
127-1

880 RF UNIT SCHEMATIC DIAGRAM

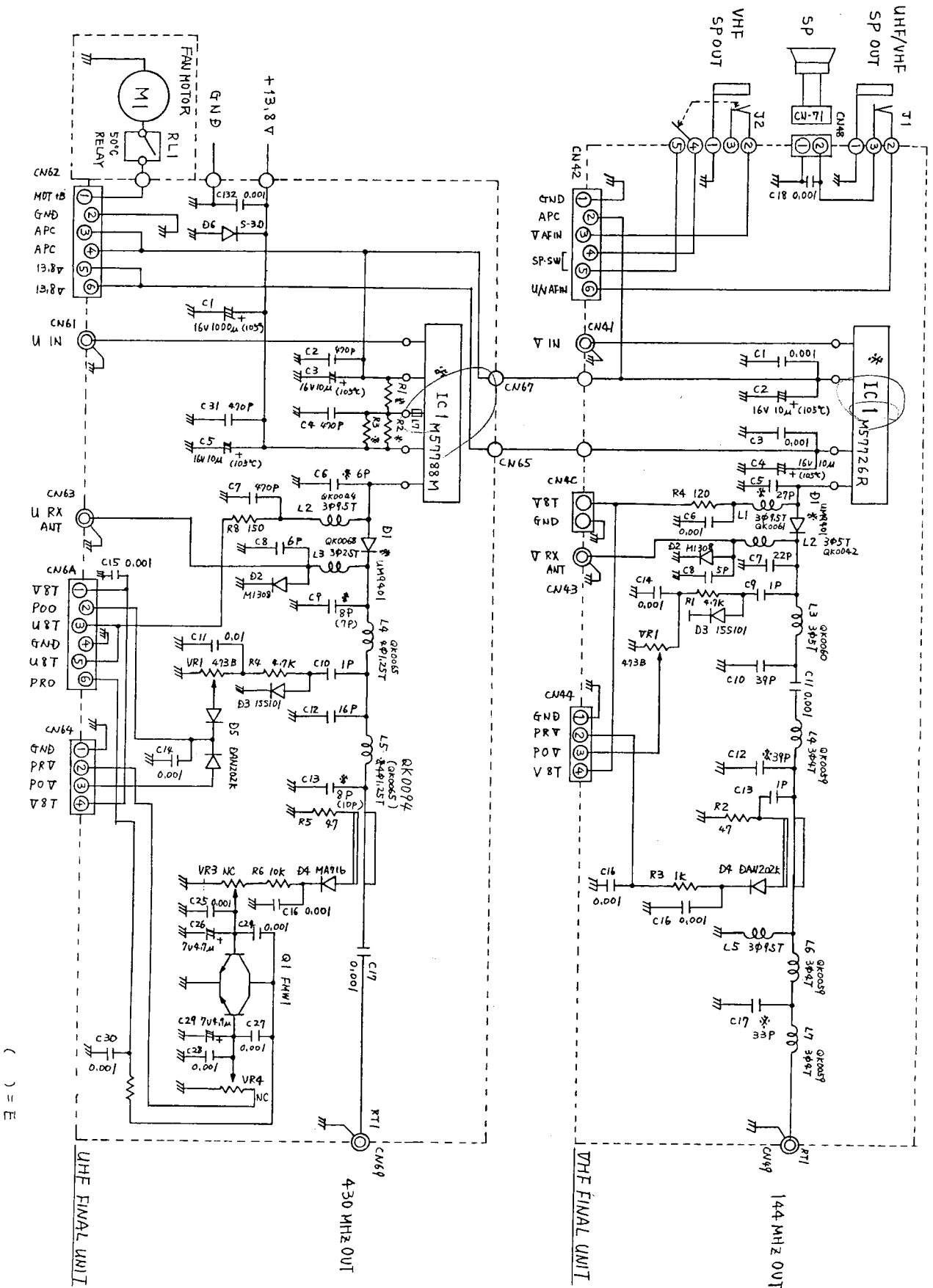
DR599 T/E

3 12 - 9

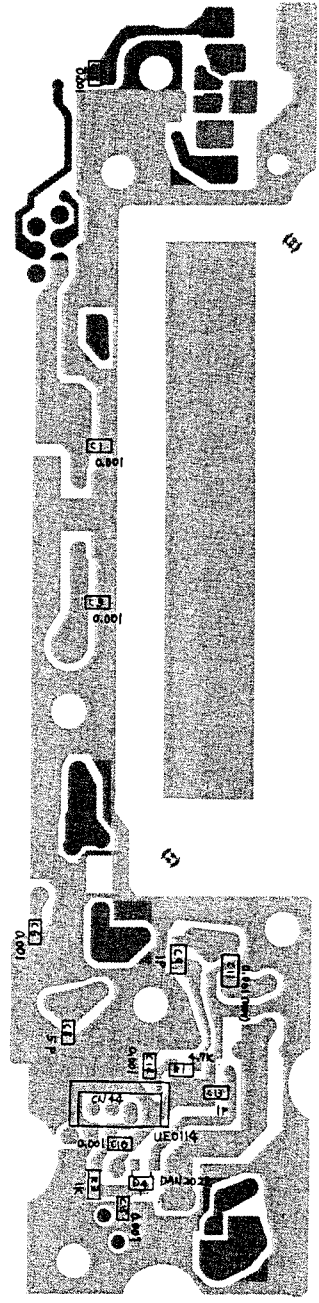
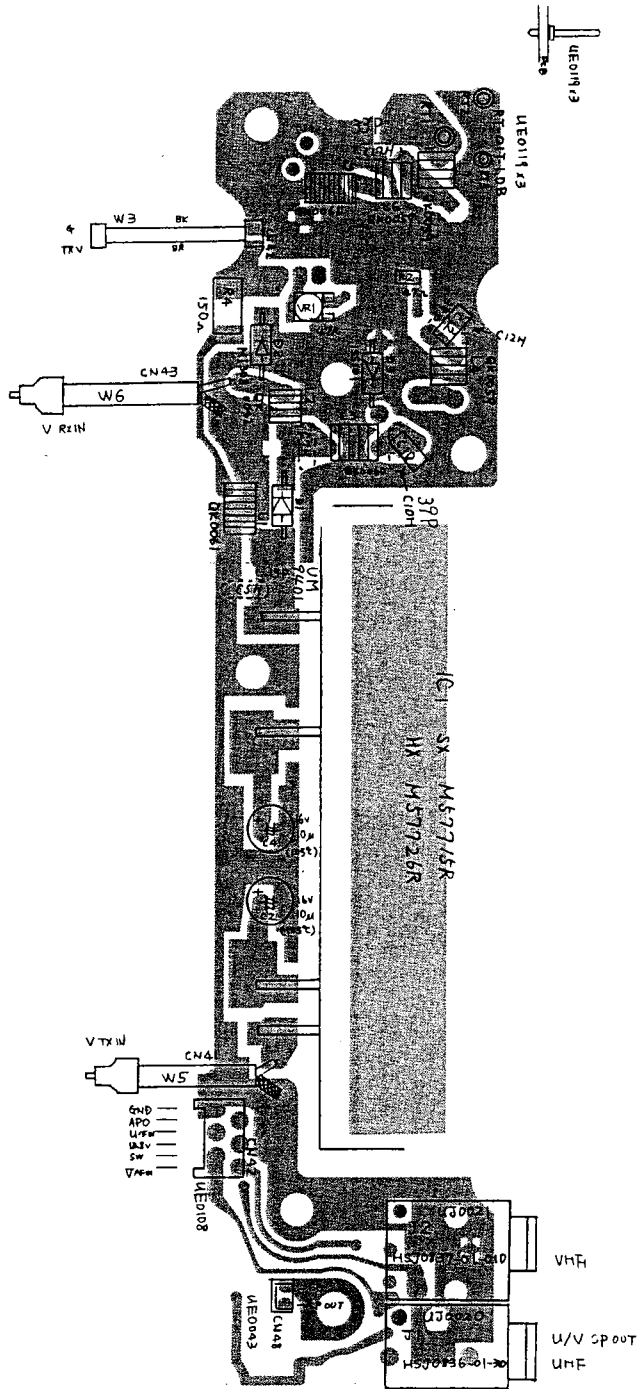
UHF MAIN PC BOARDS



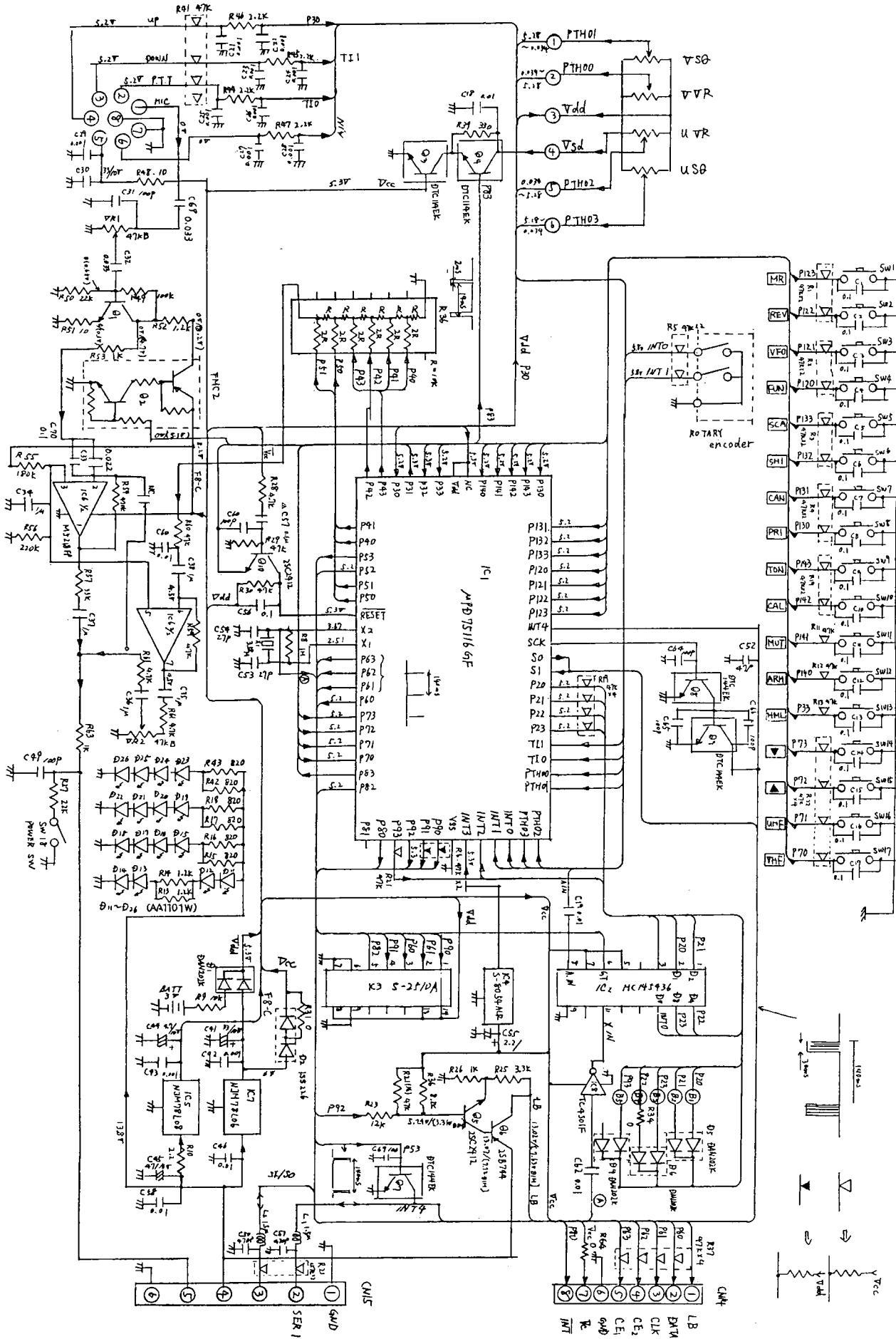
SCHEMATIC DIAGRAM OF VHF/UHF PA UNIT



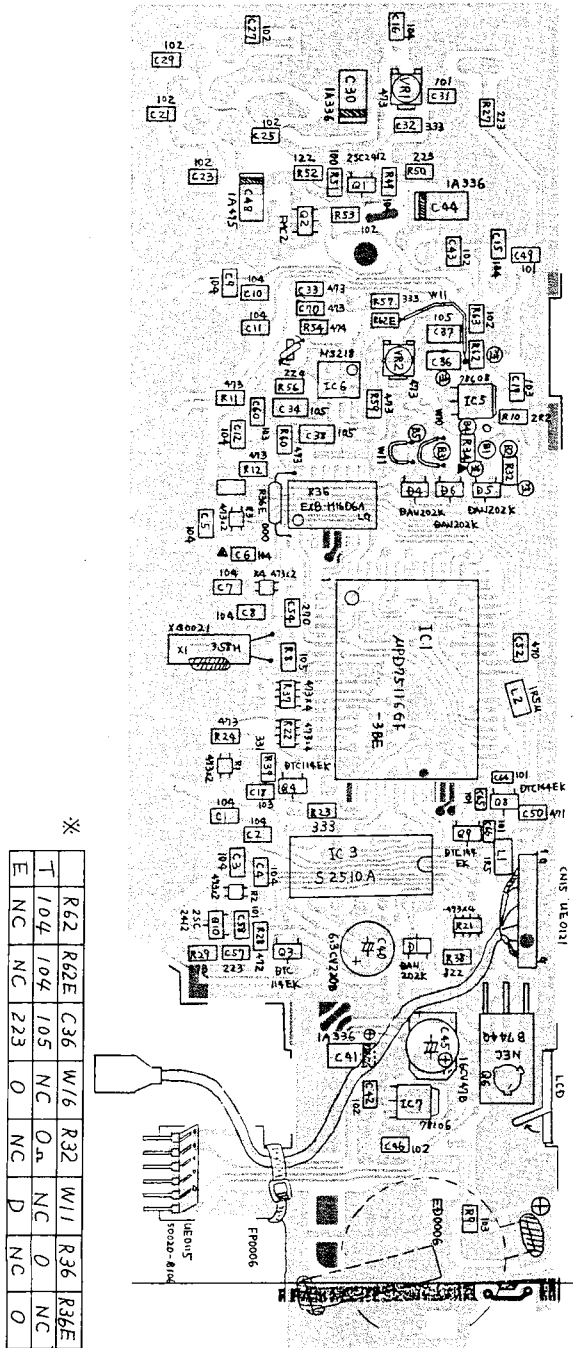
■ VHF PA PC BOARDS



SCHEMATIC DIAGRAM OF FRONT CONTROL UNIT

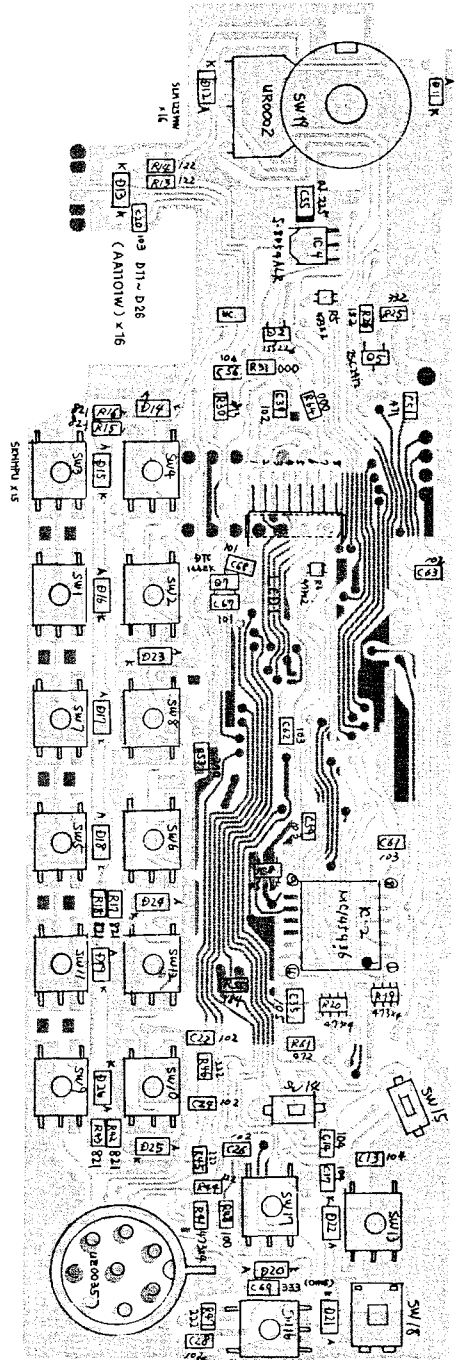


FRONT CONTROL PC BOARDS

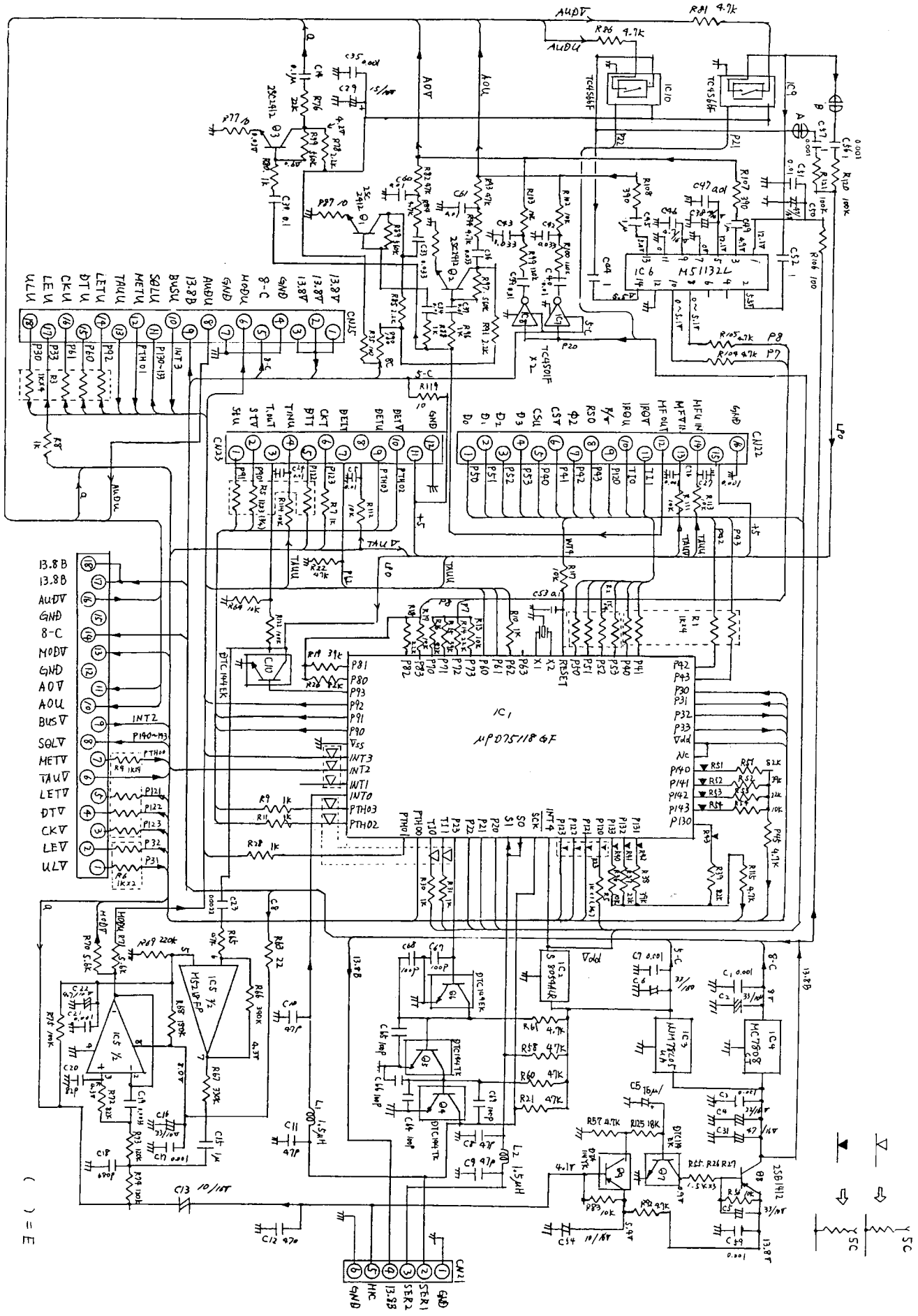


※

R62	R62E	C36	W/6	R32	W/1	R36	R36E
T	104	104	105	NC	0A	NC	NC
E	NC	NC	223	O	NC	D	NC



SCHEMATIC DIAGRAM OF SUB CONTROL UNIT

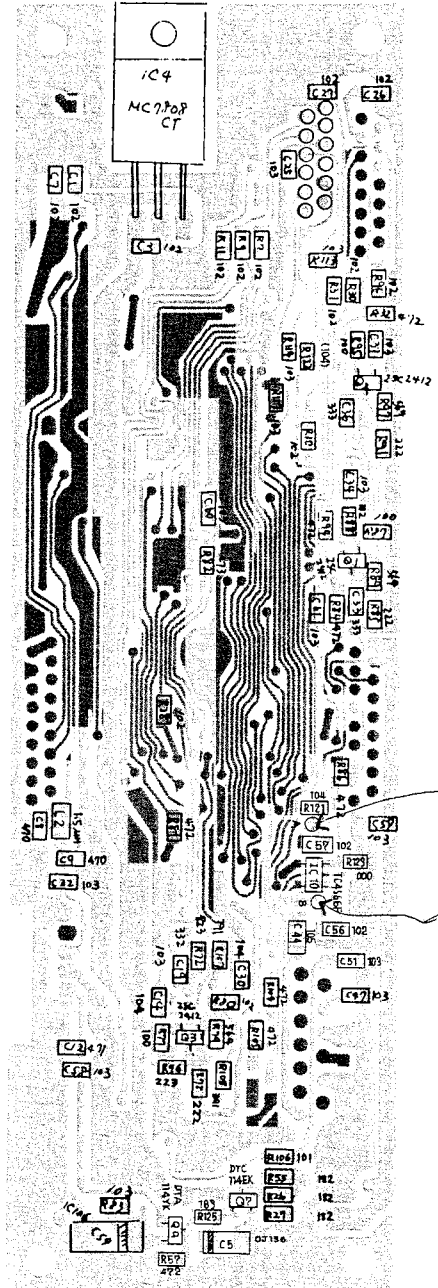
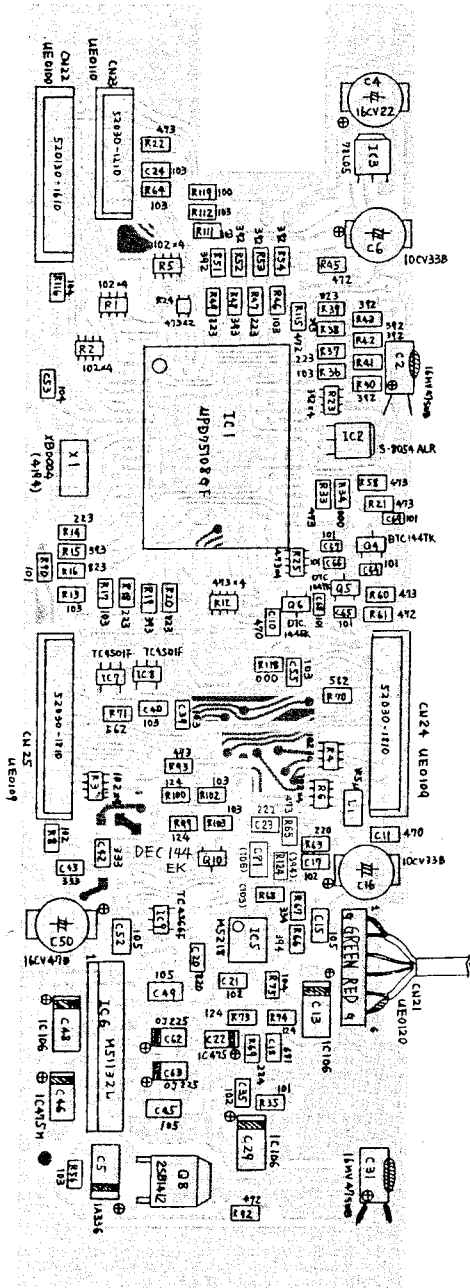


() = E

■ SUB CONTROL PC BOARDS

◎ 7075-1-404-
A, B. 0507E4角

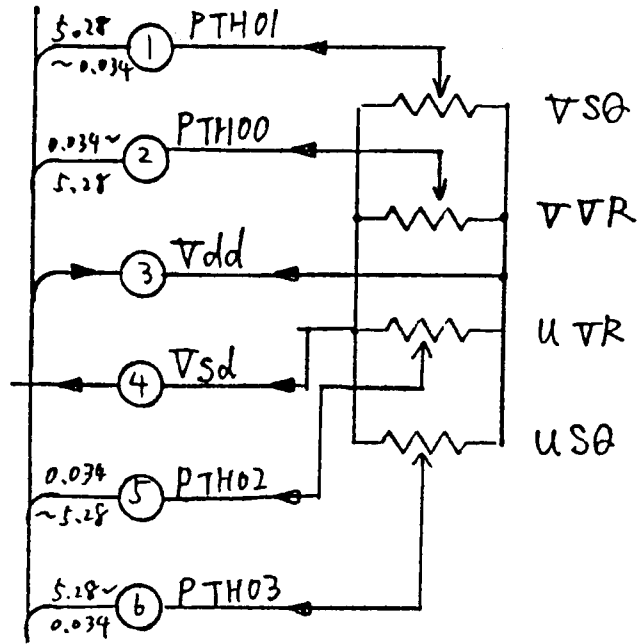
DR-599T



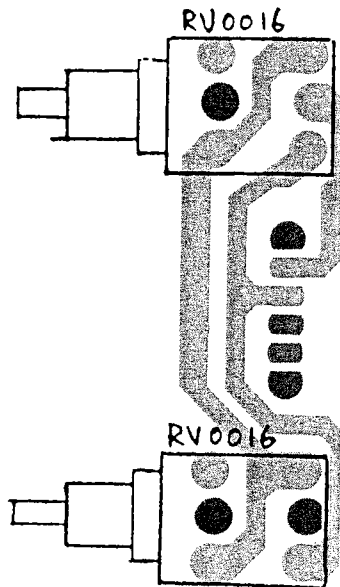
Short-circuit
A&B for circuit
repeater

()=E

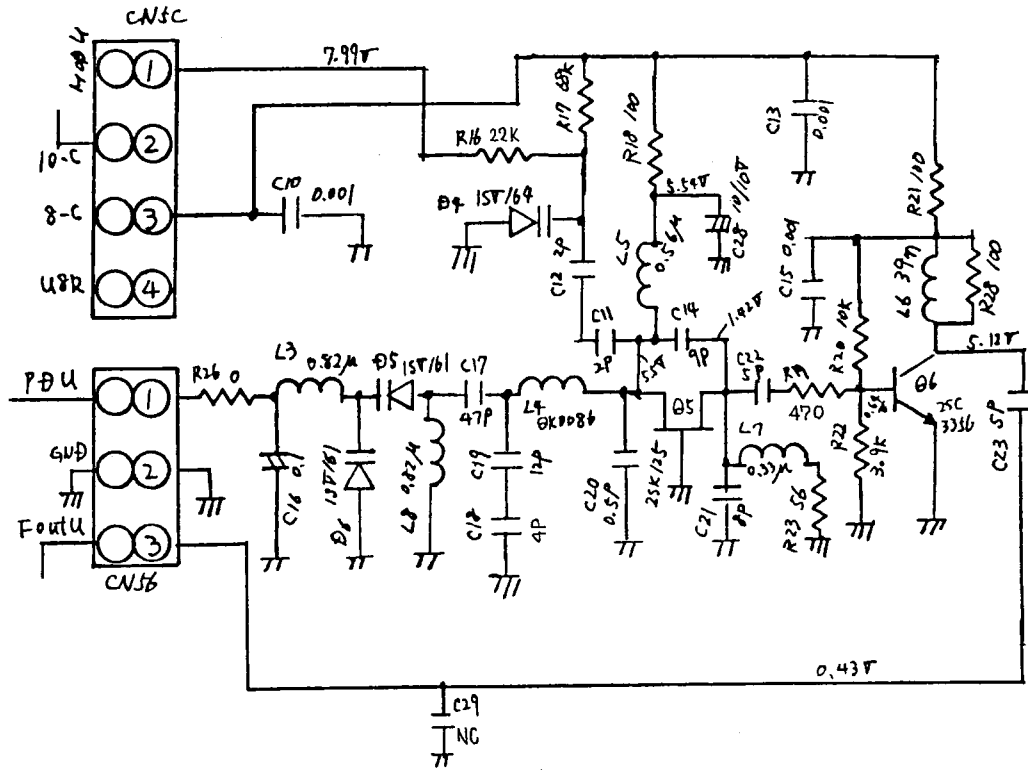
■ SCHEMATIC DIAGRAM OF VOL UNIT



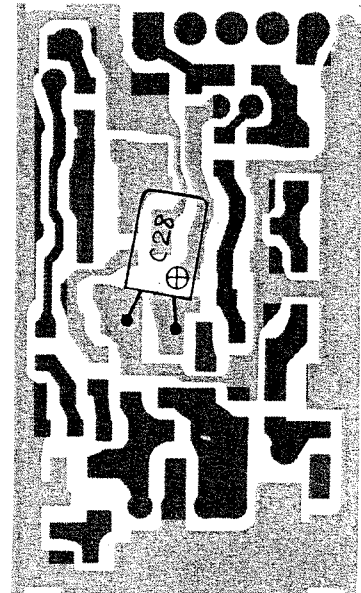
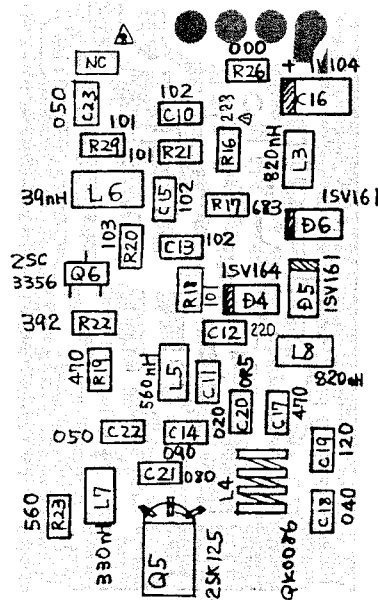
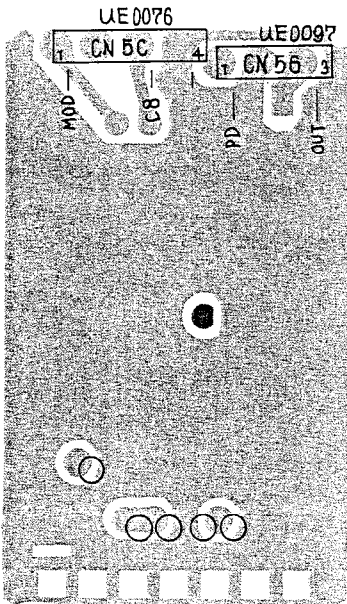
■ VOL PC BOARDS



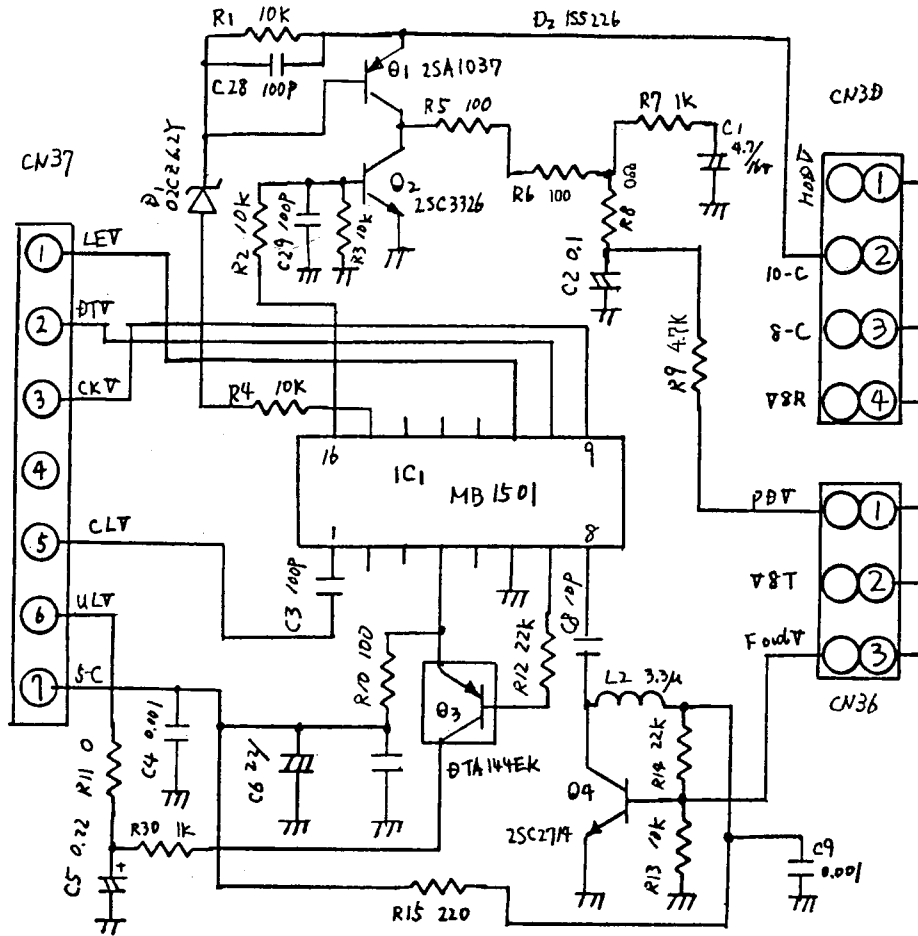
■ SCHEMATIC DIAGRAM OF UHF VCO UNIT



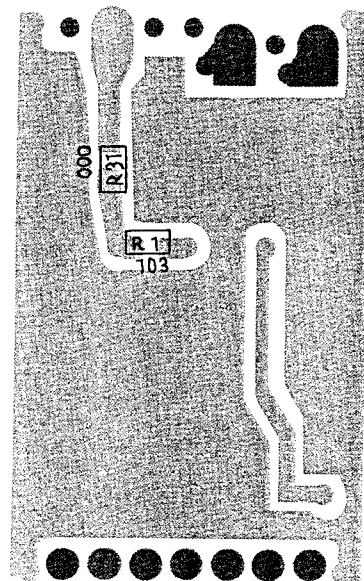
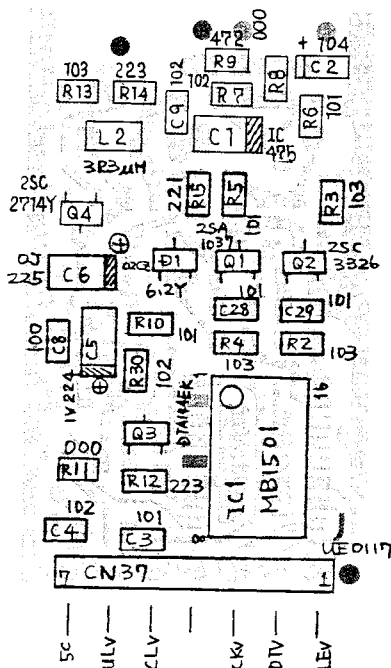
■ UHF VCO PC BOARDS



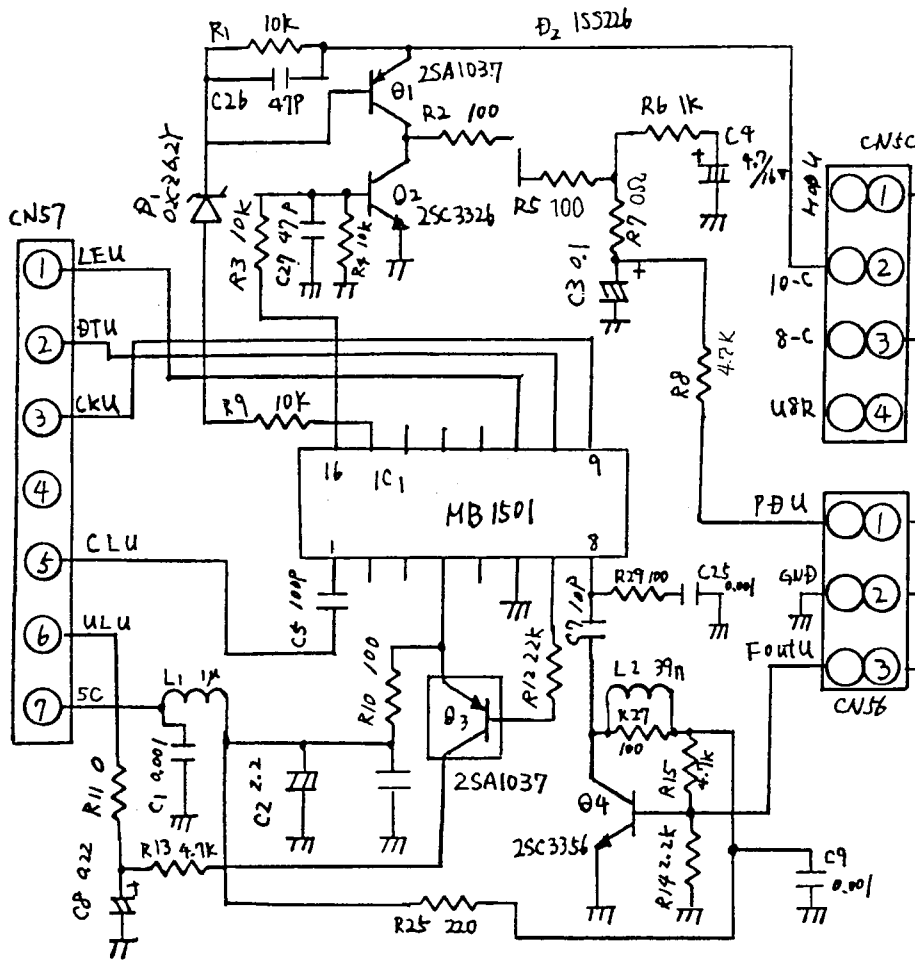
■ SCHEMATIC DIAGRAM OF VHF PLL UNIT



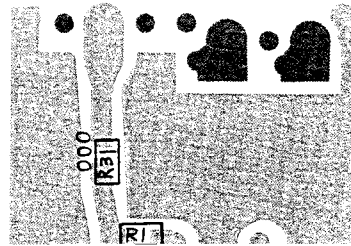
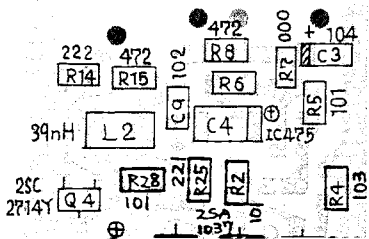
■ VHF PLL PC BOARDS



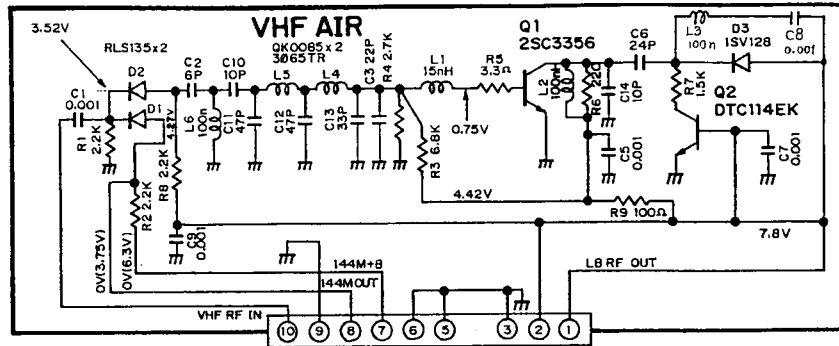
■ SCHEMATIC DIAGRAM OF UHF PLL UNIT



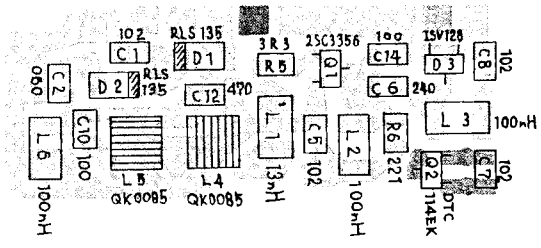
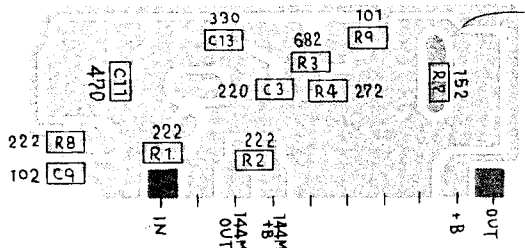
■ UHF PLL PC BOARDS



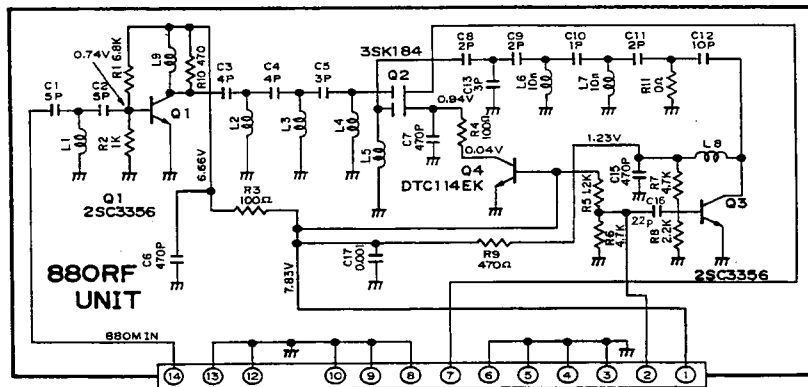
■ SCHEMATIC DIAGRAM OF VHF AIR UNIT



■ VHF AIR PC BOARDS



■ SCHEMATIC DIAGRAM OF 880 FRONT UNIT



■ 880 FRONT PC BOARDS

